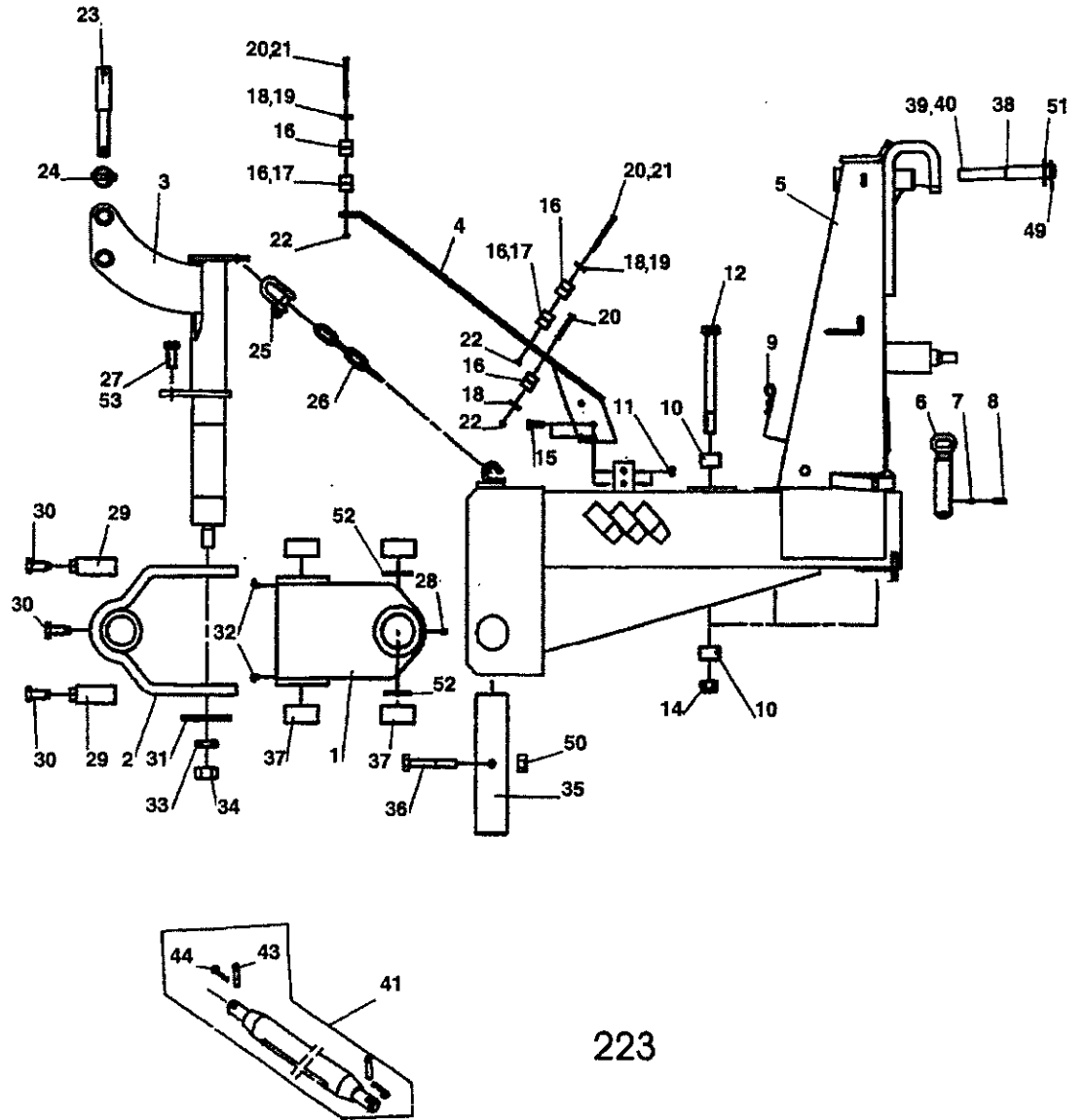


172b

Item	Part Number	Description	Comments
			SRT, SRS
			Item Part Number Description Comments
1	3941888M1	LINK AXLE	62 3941036M1 BOLT M6S 6X60
2	3942411M1	TOP LINK PIN	63 3941041M1 BOLT M6S 6X90
3	3941892M1	AXLE LOCKING P	64 339030X1 Nut Metric M6M 6
4	3941891M1	LOCK PLATE	65 3942780M1 WASHER
5	3941158M1	BOLT	
6	3941860M1	SPRING	
	3943131M1	SPRING	FROM SERIAL NO [E] 98 268634 -> 203 UA 97244D
7	3940437M1	Shackle	[H]
8	3941899M1	DRAW FRAME	DIA. 28 X 825
9	3941879M1	Stand	[I]
10	3940353M1	PIVOT PIN	DIA. 28 X 965
11	3941925M1	REVERSING CYLIN	[C] DIA. 28
			[D]
12	3940531M1	BOLT	DIA. 36
13	3942420M1	PIVOT PIN	[K]
14	339052X1	Pin	TENSION DIA. 36 X 965
15	3941870M1	Adjusting Screw	[A]
16	3940285M1	SPRING	24/30MM
17	3940191M1	Ball	[B]
18	3942664M1	TURN-OVER ARM	18MM
19	3941923M1	TURN-OVER AXLE	[J]
20	3941884M1	CLAMP	DIA. 36 X 825
21	3940472M1	COVERING PLATE	[F]
22	339096X1	Bolt Metric	->
23	339193X1	Pin	TENSION [G]
24	3941886M1	U Bolt	SEE REVERSING CYL. PAGE
25	3941887M1	U Bolt	
26	3941020M1	TENSION PIN	
27	390502X1	Pin	TENSION
28	3942268M1	GREASE NIPPLE	
29	3941686M1	Bearing	
30	3940358M1	WASHER	
31	3940212M1	LOCK NUT	
32	3940357M1	Link	
33	3941664M1	BEARING	
34	3940365M1	LOCK SPRING	
35	3940181M1	TENSION PIN	
36	3940353M1	PIVOT PIN	
39	3940413M1	SPANNER	[A] 24/30MM
40	3940283M1	SPANNER	[A] 24/30MM
41	3940661M1	SPANNER	[B] 18MM
43	3940295M1	Cross Shaft	[H] 28X825
43	3940296M1	Cross Shaft	[I] 28X965
43	3940298M1	Cross Shaft	[J] 36X825
43	3940297M1	Cross Shaft	[K] 36X965
44	3940322M1	CROSS SHAFT	
50	3008676X1	Screw	
52	3940360M1	BOLT	
53	3942401M1	Linch Pin	
54	3942425M1	LOCK PLATE	
55	3942410M1	Rack	
56	3394020X1	NUT	
57	339017X1	Bolt Metric	
58	3940672M1	CLAMP	22
59	3940671M1	CLAMP	12,7
60	3940515M1	COVERING PLATE	22
61	3940472M1	COVERING PLATE	12,7



MASSEY FERGUSON

MF 725 MOULDBOARD PLOUGH - 3940878

3940878

HEADSTOCK - HSRT, HSRS

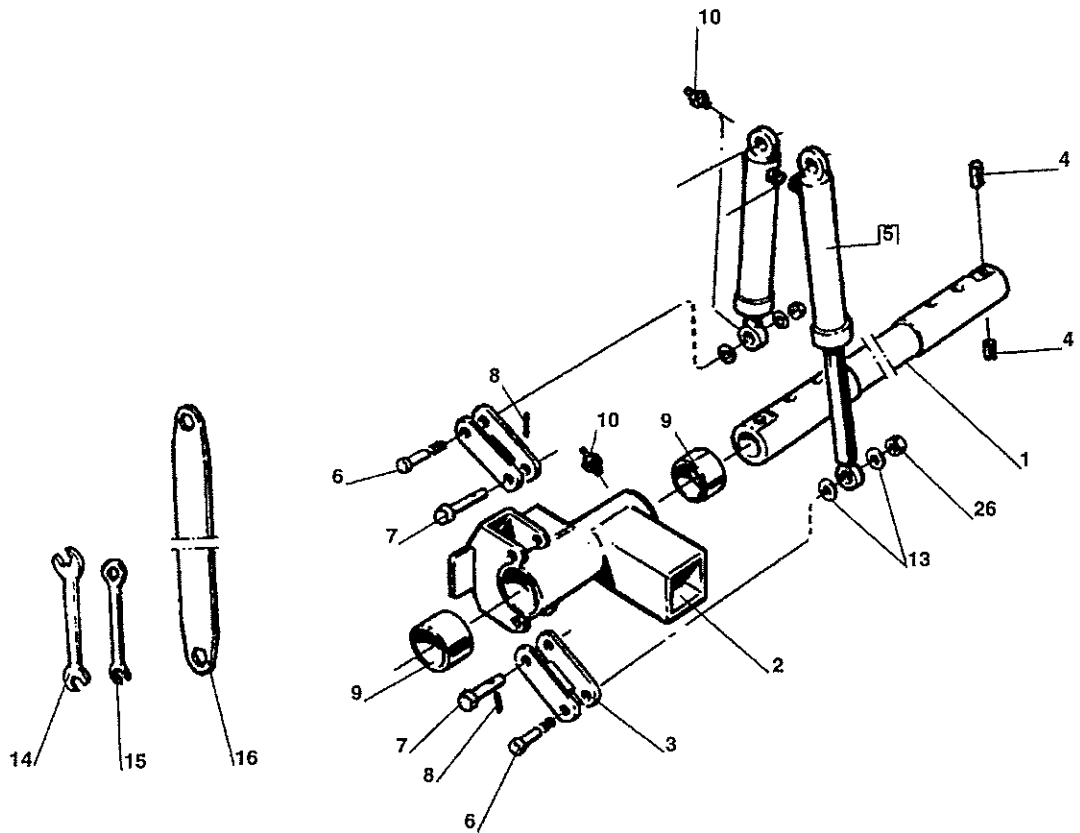
Item	Part Number	Description	Comments
			HSRT, HSRS
1	3942432M1	TRUNNION BLOBK	[A] INCL. POS 37
2	3942409M1	U Bolt	
3	3942408M1	Axle	[N]
	3942630M1	AXLE	[M]
4	3942410M1	Rack	
5	3942430M1	Headstock	[B, N] -> SN 98 267126
5	3942657M1	Headstock	[B, M] -> SN 98 267127 INCL.POS 10
6	3940354M1	Adjusting Screw	
7	3940191M1	Ball	
8	3940285M1	SPRING	
9	3940365M1	LOCK SPRING	
10	3940471M1	Sleeve	
11	3394020X1	NUT	
12	3940529M1	BOLT	
14	3940212M1	LOCK NUT	
15	339017X1	Bolt Metric	
16	3940672M1	CLAMP	[C] 22
17	3940671M1	CLAMP	[D] 12,7
18	3940515M1	COVERING PLATE	[C] 22
19	3940472M1	COVERING PLATE	[D] 12,7
20	3941036M1	BOLT	
21	3941041M1	BOLT	
22	339030X1	Nut Metric	
23	3942411M1	TOP LINK PIN	
24	3942401M1	Linch Pin	[N]
25	3940437M1	Shackle	-> 203 UA 97244D
26	3942402M1	CHAIN	[J]
27	3942398M1	BOLT	DIA. 28 X 825
28	3942268M1	GREASE NIPPLE	[K]
29	3940407M1	LOCK RING	DIA. 28 X 965
30	3940360M1	BOLT	[E]
31	3942412M1	WASHER	DIA. 28
32	3942270M1	Grease Nipple	[F]
33	390339X1	Nut	DIA. 36
34	390339X1	Nut	[I]
35	3942433M1	Axle	DIA. 36 X 965
36	3942616M1	BOLT	[A]
37	3940374M1	BEARING	INCL. POS. 37
38	3942658M1	PIVOT PIN	[B]
39	390502X1	Pin	[M] INCL. POS. 10
			[M] TENSION
40	391309X1	Washer Metric	[C] DIA. 22
41	3940297M1	Cross Shaft	[M] [D] DIA. 12,7
41	3940295M1	Cross Shaft	[I] 36x965 [J] 28x825 [G] (825)
41	3940296M1	Cross Shaft	[K] 28X965 [H] (965)
41	3940298M1	Cross Shaft	[L] DIA. 36 X 825
43	3940222M1	PIVOT PIN	[M]
	3940441M1	PIVOT PIN	->
44	3940365M1	LOCK SPRING	
45	3940322M1	CROSS SHAFT	[G] (825)
45	3940323M1	Cross Shaft	[H] (965)

MASSEY FERGUSON

MF 725 MOULDBOARD PLOUGH - 3940878

HEADSTOCK - HSRT, HSRS

Item	Part Number	Description	Comments
46	3940213M1	TENSION PIN	
47	3940516M1	LOVER LINK PIN	[F] 36
48	3940324M1	LOVER LINK PIN	[E] 28
49	3940180M1	TENSION PIN	[M]
50	1440206X1	Nut Metric	
51	3942431M1	Sleeve	
52	3942631M1	WASHER	
53	3942629M1	SLEEVE	



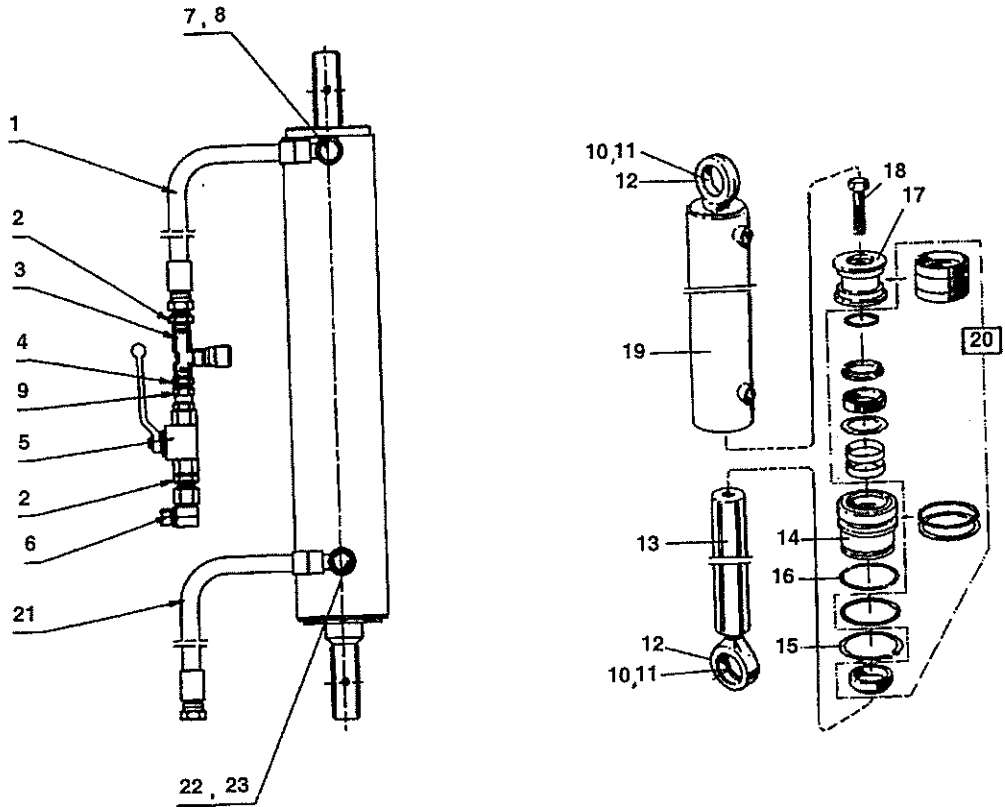
224a

MASSEY FERGUSON**MF 725 MOULDBOARD PLOUGH - 3940878**

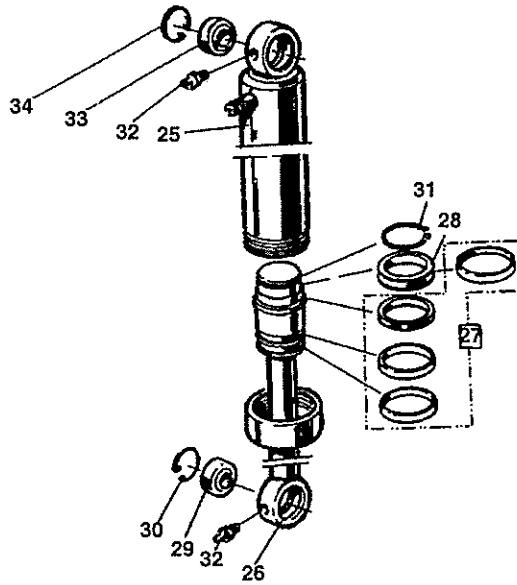
3940878

HEADSTOCK - HSRT, HSRS**3**

Item	Part Number	Description	Comments HSRT, HSRS
1	3940530M1	TURN-OVER AXLE	[A] INCL.POS 4
2	3942429M1	DRIVER	[B] INC.POS 9
3	3940357M1	Link	
4	3940389M1	TENSION PIN	
5	3942428M1	REVERSING CYLIN	[E] PAGE 11
6	3940531M1	BOLT	
7	3942065M1	PIVOT PIN	
8	339052X1	Pin	TENSION
9	3940523M1	BEARING	
10	3942268M1	GREASE NIPPLE	
13	3940358M1	WASHER	SPACING
14	3940283M1	SPANNER	[C] 24/30MM
15	3940661M1	SPANNER	[D] 18MM
16	3940413M1	SPANNER	[C] 24/30MM
26	3940212M1	LOCK NUT	[F] -> 203 UA 97244D [A] INCL. POS. 4 [B] INCL. POS. 9 [C] 24/30MM [D] 18MM [E] SEE REVERSING CYL. PAGE



173



30

MASSEY FERGUSON

MF 725 MOULDBOARD PLOUGH - 3940878

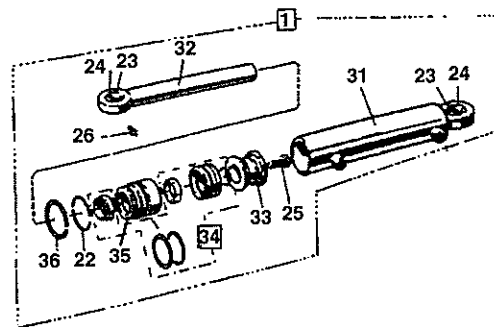
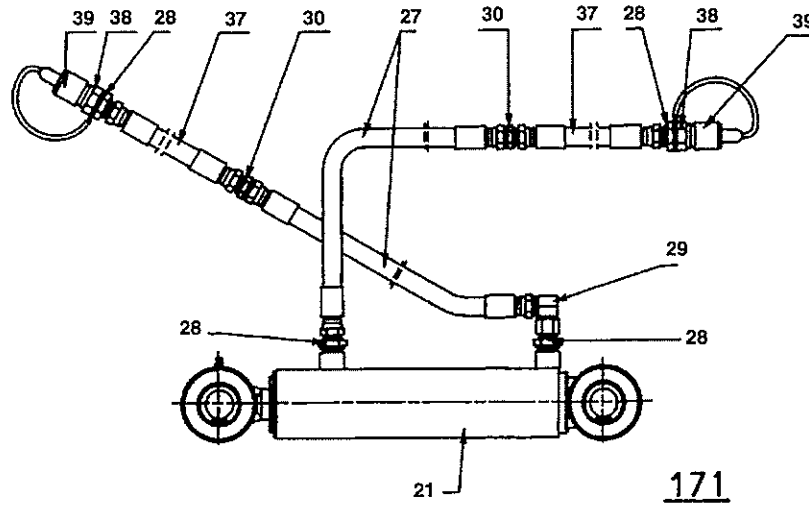
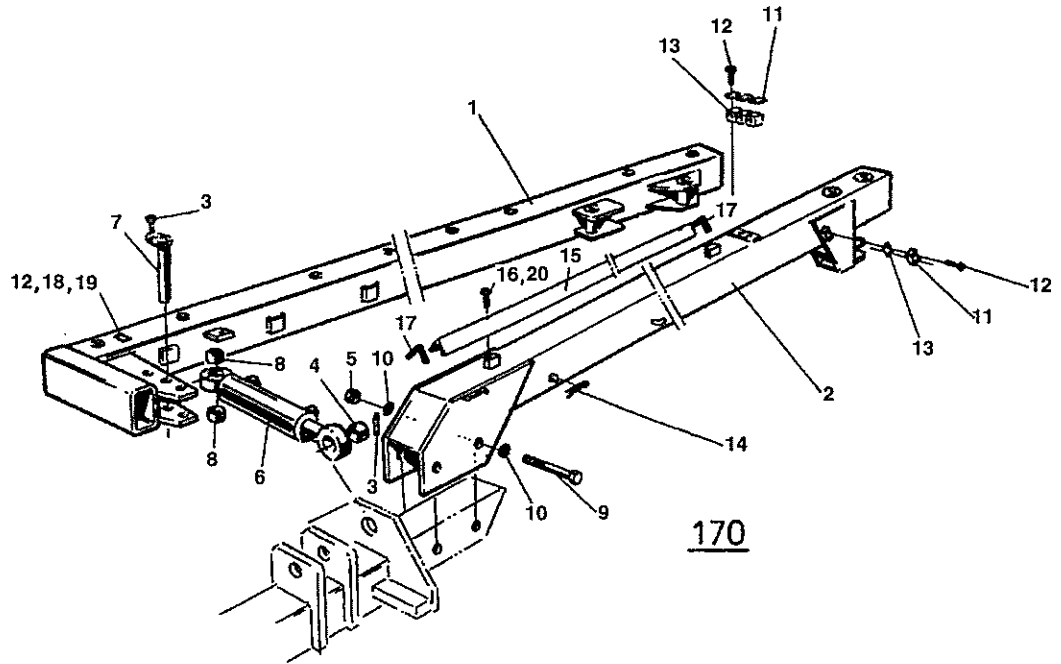
3940878

REVERSING CYLINDER- - SRT, SRS, HSRT, HSRS

4

Item	Part Number	Description	Comments
			SRT, SRS, HSRT, HSRS
1	3941925M1	REVERSING CYLIN	[A]
	3941918M1	HOSE	[A, C] L=450
2	3940639M1	Union	[A]
3	3940486M1	Valve	[A]
4	3940258M1	UNION	[A]
5	3940321M1	Valve	[A]
6	3941737M1	Elbow Union	[A]
7	3941922M1	Union	[A]
8	3940684M1	SEALING WASHER	[A]
9	3940703M1	Union	[A]
10	390791X1	Circlip	[A]
11	3940393M1	BEARING	[A]
12	365572X1	Nipple	[A]
13	3941927M1	PISTON ROD	[A]
14	3941929M1	GUIDE	[A]
15	3941931M1	CIRCLIP	[A]
16	3941930M1	LOCK RING	[A]
17	3941928M1	PISTON	[A]
18	3008576X1	Bolt	[A]
19	3941926M1	CYLINDER JACKET	[A]
20	3942098M91	SET OF SEALS	[A]
21	3941924M1	HOSE	[D] L=1000
22	3941922M1	Union	
23	3940684M1	SEALING WASHER	[A]
24	3942428M1	REVERSING CYLIN	
25	3942427M1	CYLINDER JACKET	
26	3940549M1	Piston Rod	
27	3940603M1	SET OF SEALS	
28	3940550M1	SEAL RETAINER	
29	3940393M1	BEARING	
30	3940185M1	CIRCLIP	
31	1441017X1	CIRCLIP	
32	1441858X1	Greaser	
33	3940394M1	BEARING	
34	390791X1	Circlip	

[C]
L=450
[D]
L=1000
[A]
SRS, SRT ONLY
[B]
HSRT, HSRS ONLY



MASSEY FERGUSON

MF 725 MOULDBOARD PLOUGH - 3940878

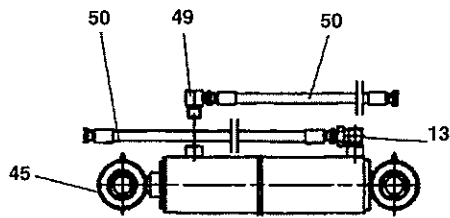
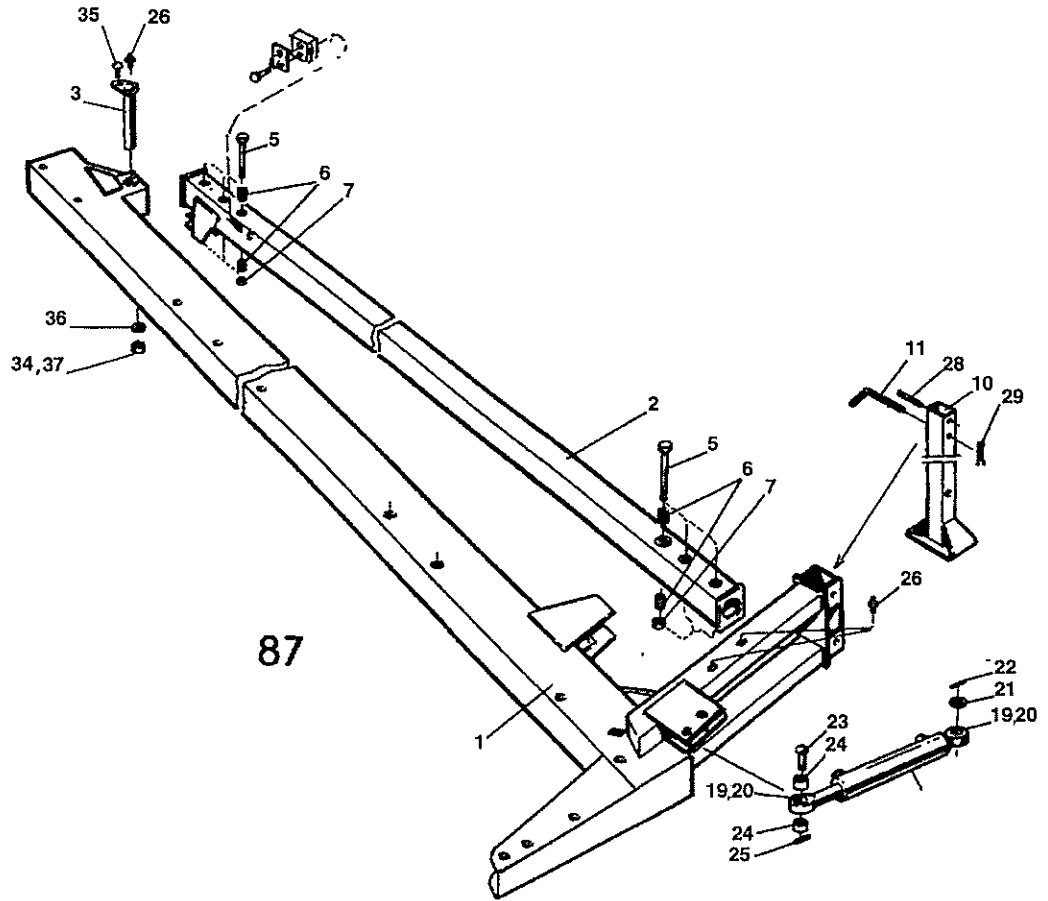
3940878

MAIN FRAME, HYD. CYLINDER- - SRT, SRS

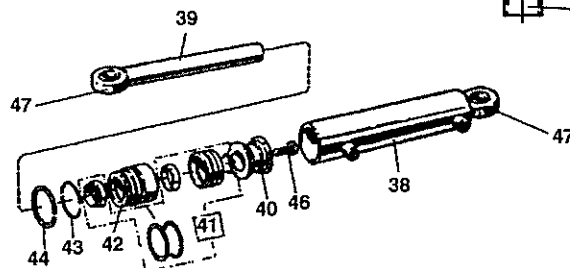
5

Item	Part Number	Description	Comments
			SRT, SRS
1	3941907M1	MAIN FRAME	SRT, SRS = QTY 5
	3941902M1	MAIN FRAME	SRT, SRS = QTY 6
	3941904M1	MAIN FRAME	SRS = QTY 7
2	3941908M1	STABILIZER TUBE	SRT, SRS = QTY 5
	3941900M1	STABILIZER TUBE	SRT, SRS = QTY 6
	3941893M1	STABILIZER TUBE	SRS = QTY 7
3	339020X1	Bolt Metric	
4	3940358M1	WASHER	
5	3940212M1	LOCK NUT	
6	3941909M1	HYD. CYLINDER	
7	3942316M1	Axle	
8	3940446M1	Sleeve	
9	3940529M1	BOLT	
10	1443512X1	Washer	
11	3940472M1	COVERING PLATE	
12	339096X1	Bolt Metric	
13	3941732M1	CLAMP	
14	3940365M1	LOCK SPRING	
15	3941905M1	Guard	SRT, SRS = QTY 5
	3941903M1	Guard	SRT, SRS = QTY 6
	3941913M1	Guard	SRS = QTY 7
16	3943086M1	BOLT	
17	3941932M1	GUARD STRIP	
18	3940672M1	CLAMP	
19	3940515M1	COVERING PLATE	
20	3943097M1	WASHER	
	3941909M1	HYD. CYLINDER	
21	3941792M91	HYD. CYLINDER	
22	3940402M1	LOCK RING	
23	3940393M1	BEARING	
24	3940185M1	CIRCLIP	
25	1441590X1	Bolt Metric	
26	365572X1	Nipple	
27	3941906M1	HOSE	[A] L=600
28	3940589M1	Union	
29	3941737M1	Elbow Union	
30	3940588M1	Union	
31	3941761M1	CYLINDER JACKET	
32	3941760M1	Piston Rod	
33	3940405M1	Piston	
34	3940421M1	SET OF SEALS	
35	3940406M1	GUIDE	
36	3940401M1	LOCK RING	
37	3941915M1	HOSE	[B]
38	3940231M1	QUICK COUPLING M	
39	3940255M1	Guard	

[A]
L=600
[B]
L=3900



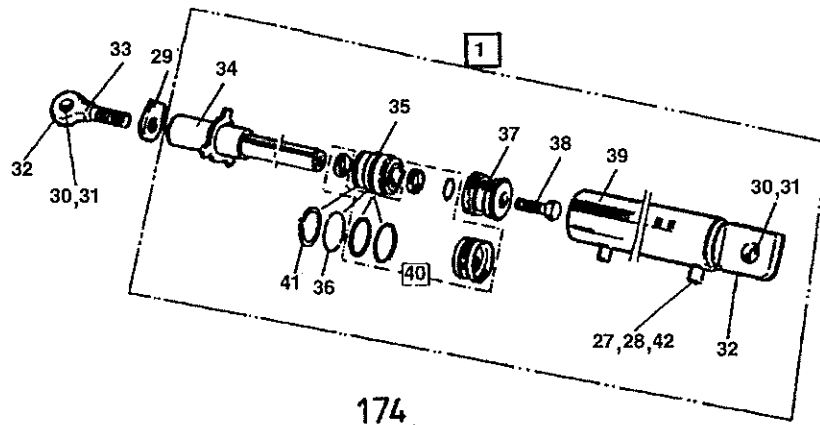
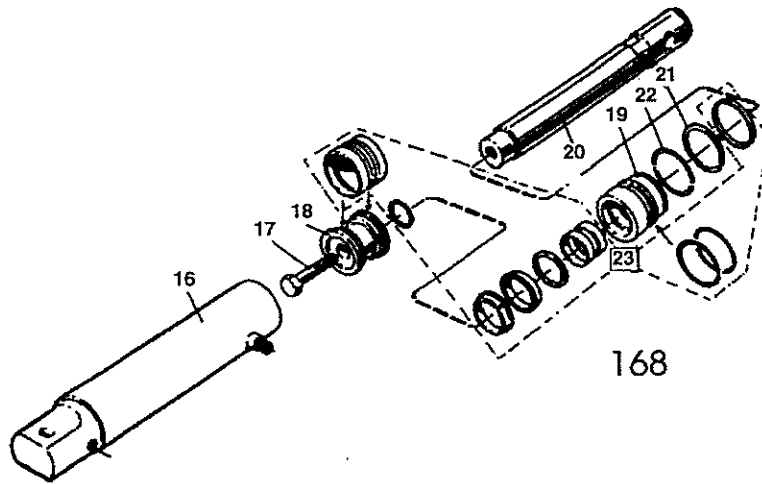
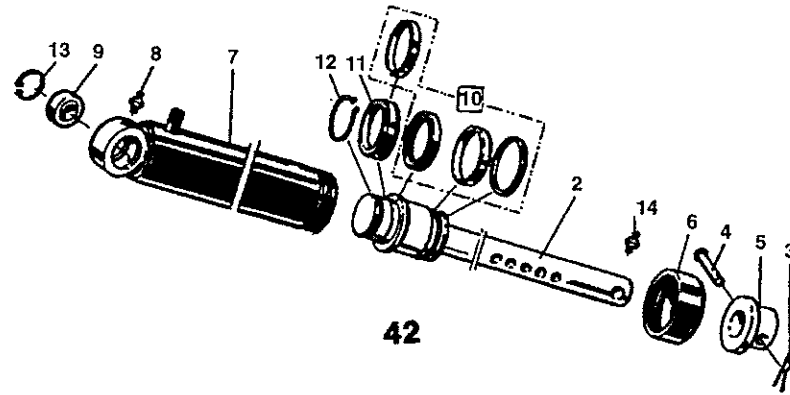
226



21

Item	Part Number	Description	Comments
			HSRT, HSRS
1	3940728M1	MAIN FRAME	[A]
	3940729M1	MAIN FRAME	[B]
	3940732M1	MAIN FRAME	[C]
2	3940590M1	STABILIZER TUBE	[A]
	3940525M1	STABILIZER TUBE	[B]
	3940526M1	STABILIZER TUBE	[C]
3	3940351M1	Axle	[D, F]
	3942578M1	AXLE	[D, G]
	3942628M1	AXLE	[D, G]
4	3942421M1	HYDR.CYLINDER	
5	3940529M1	BOLT	
6	3940471M1	Sleeve	
7	3940212M1	LOCK NUT	
10	3940352M1	STAND	
11	3940353M1	PIVOT PIN	
16	3940251M1	Hose	[E]
17	3940247M1	Elbow Union	
19	3940393M1	BEARING	
20	3940185M1	CIRCLIP	
21	3940396M1	WASHER	
22	339052X1	Pin	
23	3940430M1	PIVOT PIN	
24	3940446M1	Sleeve	
25	339193X1	Pin	
26	3942268M1	GREASE NIPPLE	
28	3940181M1	TENSION PIN	
29	3940365M1	LOCK SPRING	
31	3940514M1	CLAMP	
32	3940515M1	COVERING PLATE	
33	339229X1	Bolt Metric	
34	3942618M1	NUT	
35	3942615M1	BOLT	
36	391309X1	Washer Metric	[H]
37	3942422M1	HYDR.CYLINDER	
	3942422M1	HYDR.CYLINDER	
38	3942423M1	CYLINDER JACKET	
39	3942424M1	PISTON ROD	
40	3940651M1	Piston	
41	3940652M1	SET OF SEALS	
42	3942407M1	GUIDE	
43	3942406M1	CIRCLIP	
44	3940425M1	LOCK RING	
45	3942421M1	HYDR.CYLINDER	
46	1441590X1	Bolt Metric	
47	365572X1	Nipple	
48	3942399M1	HOSE BEND	
49	3940247M1	Elbow Union	
50	3940251M1	Hose	

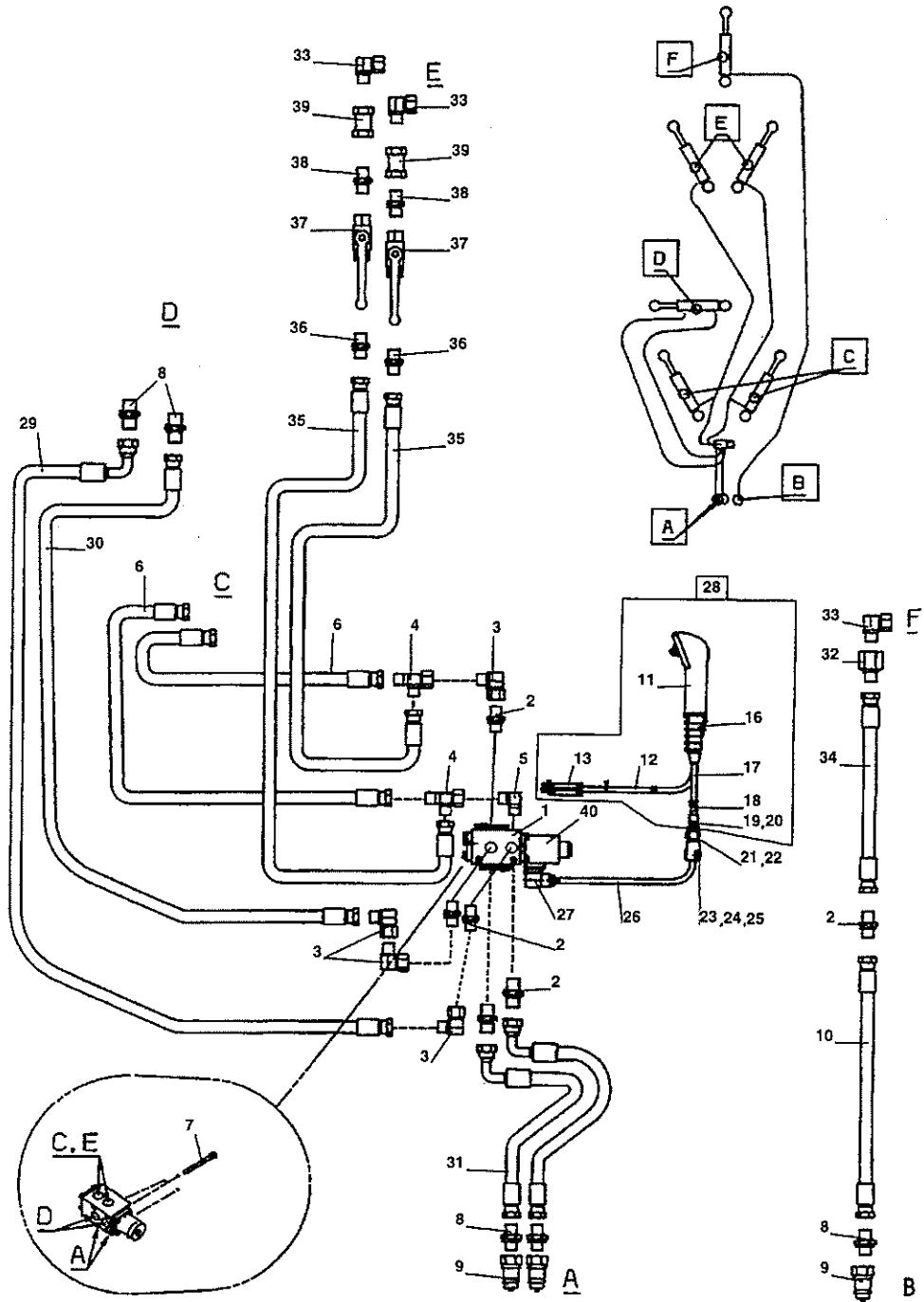
[F]
 ->| 203 UA 97244D
 [A]
 5108
 [B]
 6108
 [C]
 7108
 [D]
 INCL. POS. 26
 [E]
 L=1540
 [G]
 |->
 [H]
 BRB 31 X 56



Item	Part Number	Description	Comments
			SRT, SRS, HSRT, HSRS

1	3941872M1	HYDR.CYLINDER	PAGE 31
2	3940511M1	Piston Rod	
3	3940365M1	LOCK SPRING	
4	3940512M1	PIVOT PIN	
5	3940513M1	LOCK RING	
6	3940473M1	CYL JACKET RING	
7	3940474M1	CYLINDER JACKET	
8	1441858X1	Greaser	
9	3940393M1	BEARING	
10	3940602M1	SET OF SEALS	
11	3940477M1	SEAL RETAINER	
12	1440533X1	Circlip	
13	3940185M1	CIRCLIP	
14	365572X1	Nipple	
15	3941733M91	HYD. CYLINDER	[A] PAGE 59
16	3941734M1	CYLINDER JACKET	
17	3941158M1	BOLT	
18	3940356M1	PISTON	
19	3940482M1	GUIDE	
20	3941735M1	Piston Rod	
21	3940310M1	CIRCLIP	
22	3940311M1	LOCK RING	
23	3940592M1	SET OF SEALS	
24	3941934M1	Steering Cyl	[B] HSRT, HSRS
25	3941933M1	Steering Cyl	[C] SRT, SRS
26	3941940M1	Cylinder	PAGE 31
27	3941898M1	VALVE CONE	
28	3940259M1	SEALING WASHER	
29	3940605M1	LOCK NUT	
30	3940185M1	CIRCLIP	
31	3940393M1	BEARING	
32	365572X1	Nipple	
33	3941935M1	PISTON ROD END	[C] SRT, SRS
33	3941914M1	PISTON ROD END	[B] HSRT, HSRS
34	3941912M1	PISTON ROD END	
35	3940406M1	GUIDE	
36	3940402M1	LOCK RING	
37	3940405M1	Piston	
38	1441590X1	Bolt Metric	
39	3941911M1	CYLINDER JACKET	
40	3940421M1	SET OF SEALS	
41	3940401M1	LOCK RING	
42	3940260M1	UNION	

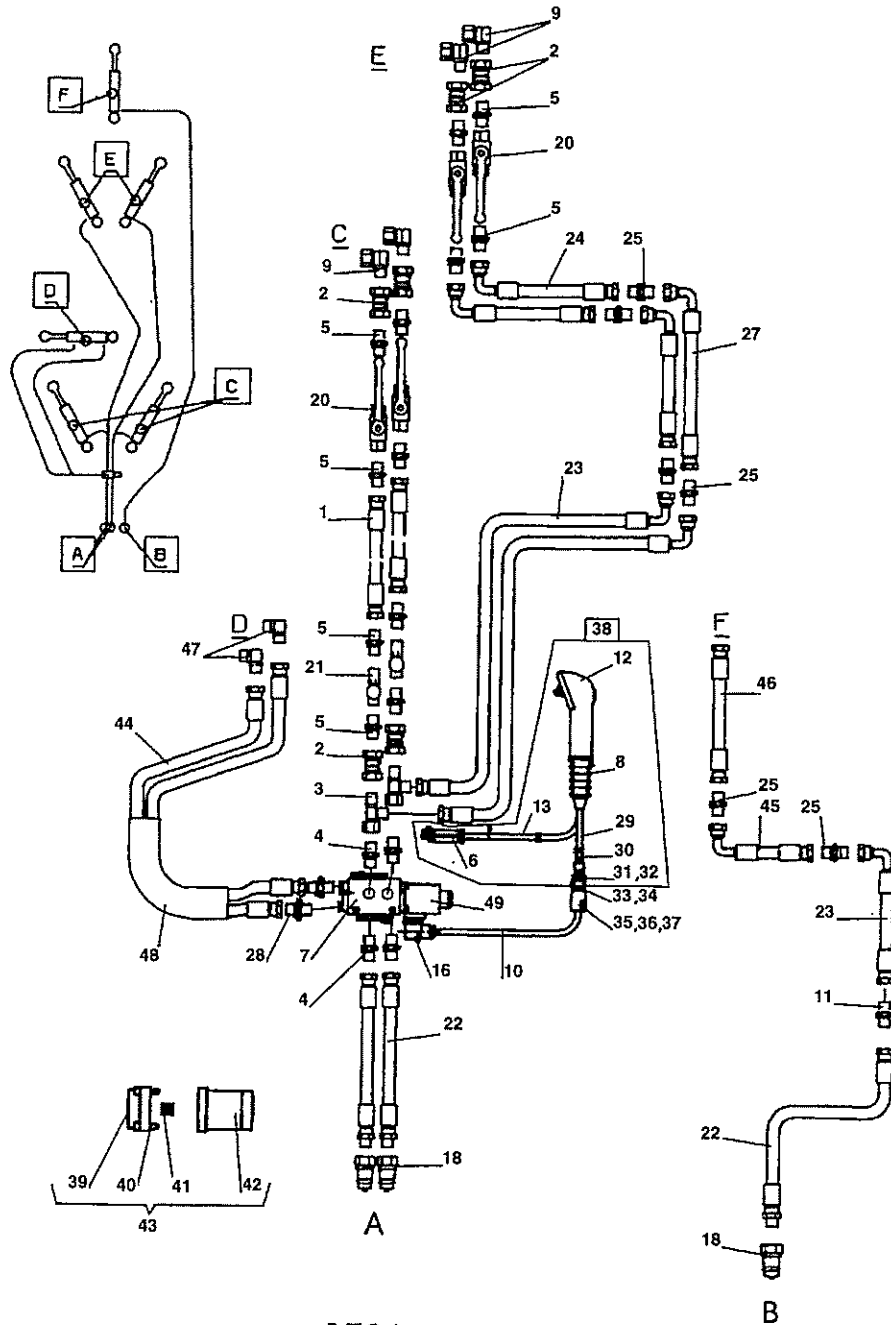
[C]
SRS, SRT ONLY
[B]
HSRT, HSRS ONLY
[A]
SEE DRAW ARM PAGES



175a

Item	Part Number	Description	Comments SRT, SRS
1	3941953M1	REVERSING VALVE	
2	3940588M1	Union	
3	3941737M1	Elbow Union	
4	3940660M1	T-UNION	
5	3941885M1	Elbow Union	
6	3941910M1	HOSE	[A] L=800
7	3941963M1	BOLT	
8	3940589M1	Union	
9	3940231M1	QUICK COUPLING M	
10	3941915M1	HOSE	[B] L=3900
11	3941952M1	LEVER	
12	3941954M1	Cable	[C] 2,5 M
13	3942067M1	Connectors	
16	3942068M1	UNION	
17	3942074M1	Cable	[D] 0,5 M
18	3942073M1	HOSE	[E] L=30
19	3942072M1	SLEEVE	
20	3942083M1	Coupling	
21	3942071M1	Coupling	
22	3942069M1	Coupling	
23	3942070M1	SLEEVE	
24	3942076M1	Hose	
25	3942077M1	BOLT	
26	3942075M1	CABLE	[F] 5 M
27	3942078M1	Connector	
28	3942642M1	Cobra	
29	3942419M1	HOSE	
30	3941906M1	HOSE	
31	3942400M1	HOSE	
32	3941738M1	UNION	
33	3940253M1	Elbow Union	
34	3942415M1	HOSE	
	3942416M1	HOSE	
	3942417M1	HOSE	
35	3941920M1	HOSE	
	3941857M1	HOSE	
	3941921M1	HOSE	
36	3940639M1	Union	
37	3940321M1	Valve	
38	3940250M1	UNION	
39	3940428M1	UNION	
40	3942640M1	Coil	

[A]
L=800
[B]
L=3900
[E]
L=30
[C]
2,5 M
[D]
0,5 M
[F]
5M



178 b

MASSEY FERGUSON

MF 725 MOULDBOARD PLOUGH - 3940878

3940878

ELECTRIC REVERSING VALVE- - HSRT, HSRS

9

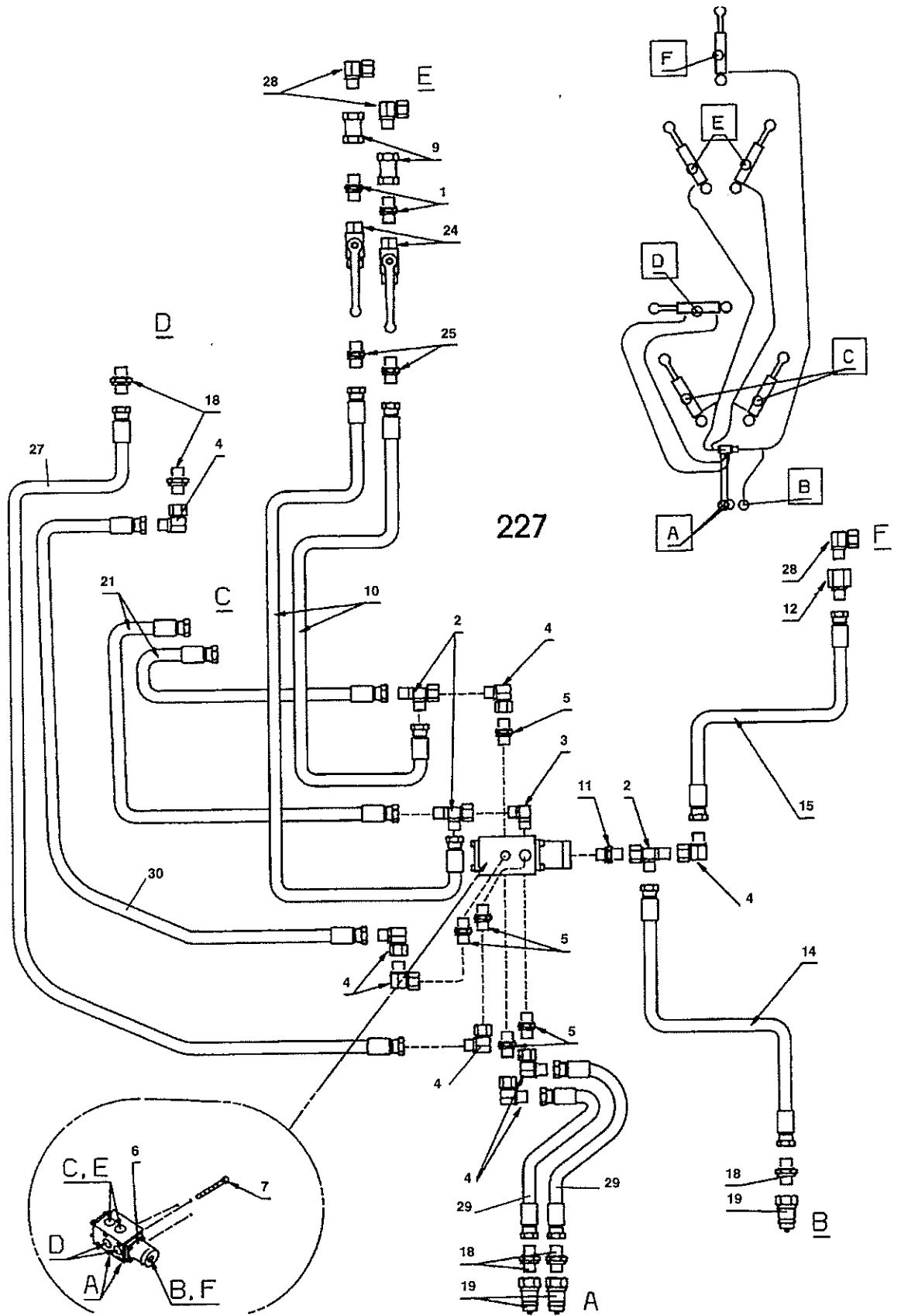
Item	Part Number	Description	Comments
			HSRT, HSRS
1	3942656M1	HOSE	[F] L=740
2	3940428M1	UNION	
3	3942405M1	T-UNION	
4	3940589M1	Union	
5	3940250M1	UNION	
6	3942067M1	Connectors	
7	3941953M1	REVERSING VALVE	
8	3942642M1	Cobra	
9	3940253M1	Elbow Union	
10	3942075M1	CABLE	[C] 5 M
11	3940218M1	UNION	
12	3941952M1	LEVER	
13	3941954M1	Cable	[B] 2,5 M
16	3942078M1	Connector	
18	3940231M1	QUICK COUPLING M	
20	3940321M1	Valve	
21	3940486M1	Valve	
22	3942654M1	HOSE	[H] L=3000
23	3942082M1	HOSE	[G] L=1000
24	3940632M1	HOSE	[E] L=500
25	3940245M1	UNION	
27	3940593M1	HOSE	[I] L=4350
27	3940611M1	HOSE	[J] L=5350
27	3940594M1	HOSE	[L] L=6350
27	3942418M1	HOSE	[N] L=7350
28	3940639M1	Union	
29	3942074M1	Cable	[A] 0,5 M
30	3942073M1	HOSE	[D] L=30
31	3942072M1	SLEEVE	
32	3942083M1	Coupling	
33	3942071M1	Coupling	
34	3942069M1	Coupling	
35	3942070M1	SLEEVE	
36	3942076M1	Hose	
37	3942077M1	BOLT	
38	3942642M1	Cobra	
39	3942647M1	SIDE PLATE	
40	3942617M1	Bolt	
41	3942648M1	SPRING	
42	3942838M1	GUIDE	
43	3942646M1	Rebuilding Set	
44	3942660M1	HOSE	
45	3941880M1	HOSE	[K] L=5600
45	3941873M1	HOSE	[M] L=6600
45	3941874M1	HOSE	[O] L=7600
45	3942414M1	HOSE	[P] L=8600
46	3941883M1	HOSE	[F] L=740
47	3940247M1	Elbow Union	

MASSEY FERGUSON

MF 725 MOULDBOARD PLOUGH - 3940878

ELECTRIC REVERSING VALVE- - HSRT, HSRS

Item	Part Number	Description	Comments
48	3942399M1	HOSE BEND	
49	3942640M1	Coil	



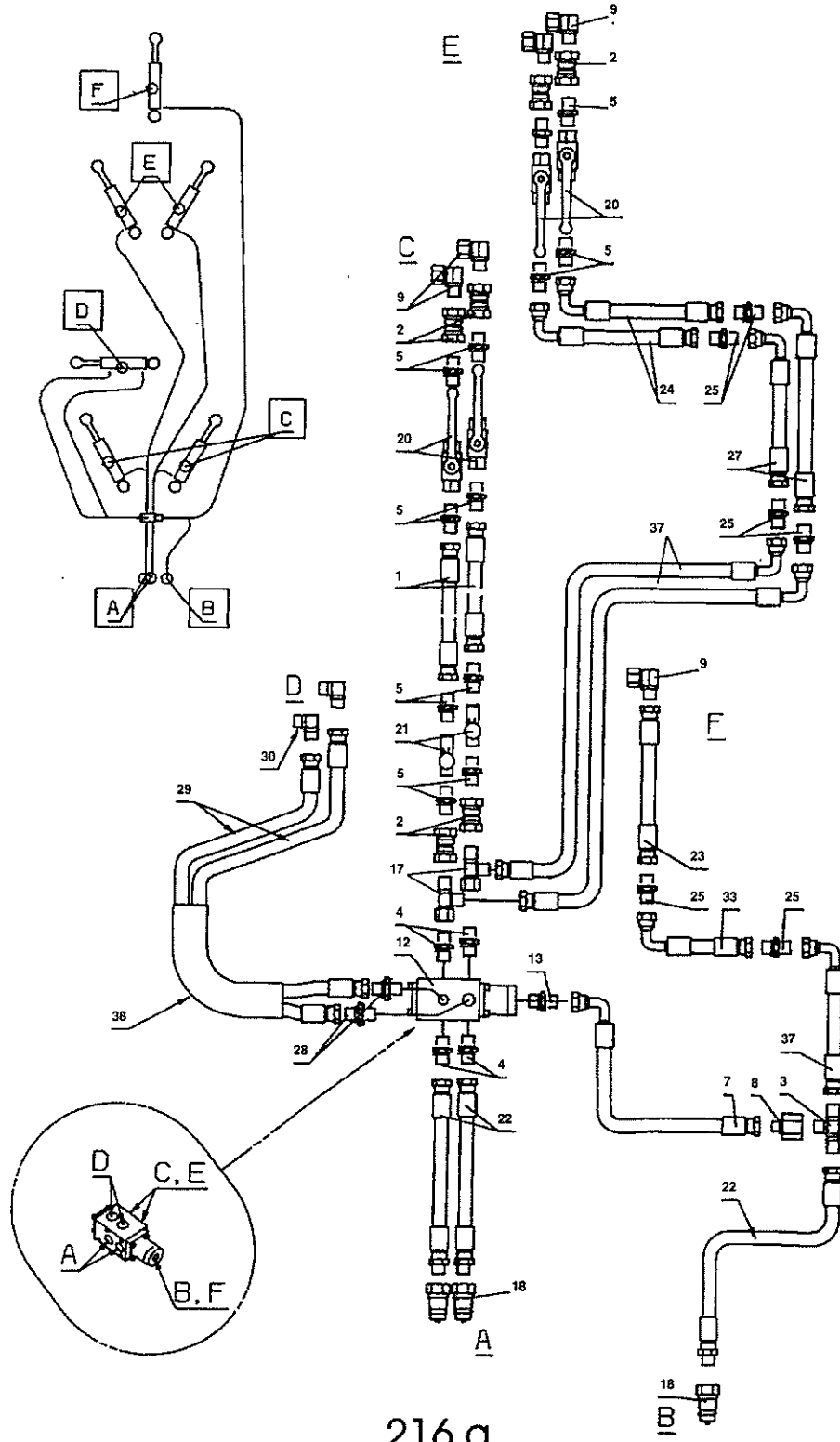
MASSEY FERGUSON**MF 725 MOULDBOARD PLOUGH - 3940878**

3940878

HYDRAULIC SYSTEM WITH VALVE- - SRT, SRS

10

Item	Part Number	Description	Comments SRT, SRS
1	3940250M1	UNION	
2	3940660M1	T-UNION	
3	3941885M1	Elbow Union	
4	3941737M1	Elbow Union	
5	3940588M1	Union	
6	3940657M1	REVERSING VALVE	
7	3941963M1	BOLT	
9	3940428M1	UNION	
10	3941920M1	HOSE	
	3941857M1	HOSE	
	3941921M1	HOSE	
11	3940659M1	UNION	
12	3941738M1	UNION	
14	3942659M1	HOSE	
15	3942415M1	HOSE	
	3942416M1	HOSE	
	3942417M1	HOSE	
18	3940589M1	Union	
19	3940231M1	QUICK COUPLING M	
21	3941910M1	HOSE	
24	3940321M1	Valve	
25	3940639M1	Union	
27	3941906M1	HOSE	
28	3940253M1	Elbow Union	
29	3942655M1	HOSE	
30	3942419M1	HOSE	



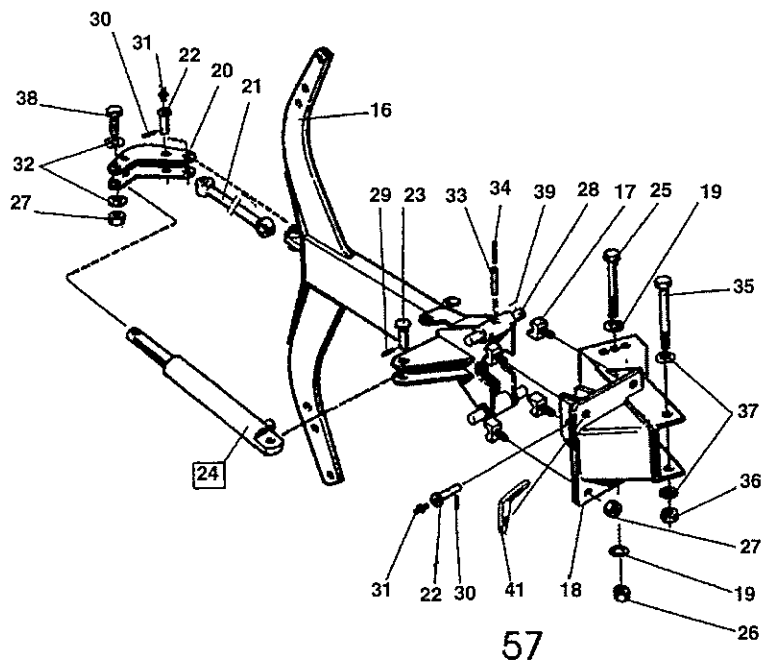
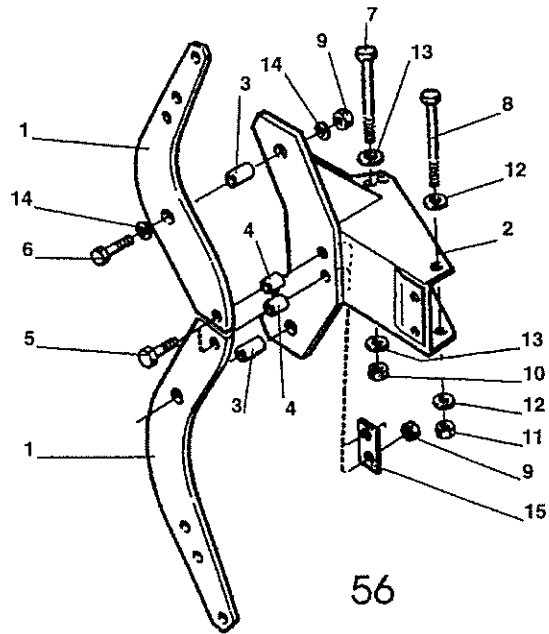
MASSEY FERGUSON**MF 725 MOULDBOARD PLOUGH - 3940878**

3940878

HYDRAULIC - HSRT, HSRS

11

Item	Part Number	Description	Comments
			HSRT, HSRS
1	3940246M1	HOSE	
2	3940428M1	UNION	
3	3942404M1	T-UNION	
4	3940589M1	Union	
5	3940250M1	UNION	
7	3942413M1	HOSE	
8	3941738M1	UNION	
9	3940253M1	Elbow Union	
12	3940657M1	REVERSING VALVE	
13	3940659M1	UNION	
17	3942405M1	T-UNION	
18	3940231M1	QUICK COUPLING M	
19	3940218M1	UNION	
20	3940321M1	Valve	
21	3940486M1	Valve	
22	3942654M1	HOSE	
23	3941883M1	HOSE	
24	3940632M1	HOSE	
25	3940245M1	UNION	
27	3940593M1	HOSE	
	3940611M1	HOSE	
	3940594M1	HOSE	
	3942418M1	HOSE	
28	3940639M1	Union	
29	3942660M1	HOSE	
30	3940247M1	Elbow Union	
33	3941880M1	HOSE	
	3941873M1	HOSE	
	3941874M1	HOSE	
	3942414M1	HOSE	
37	3942082M1	HOSE	
38	3942399M1	HOSE BEND	
40	3942640M1	Coil	
41	3942641M1	SPRING	
42	3941955M1	Cable	
43	3942839M1	Rebuilding Set	



MASSEY FERGUSON

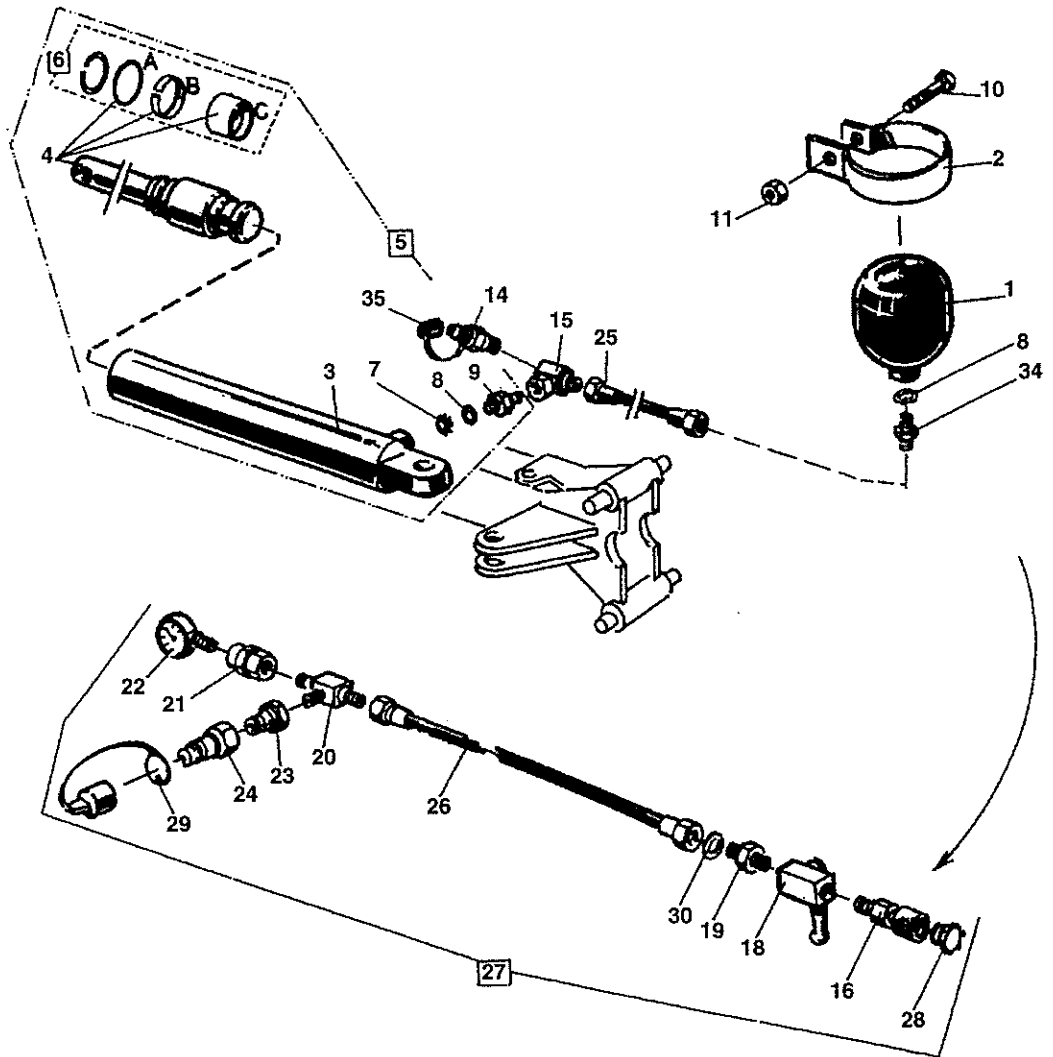
MF 725 MOULDBOARD PLOUGH - 3940878

3940878

BEAM AND BEAM HOUSING

12

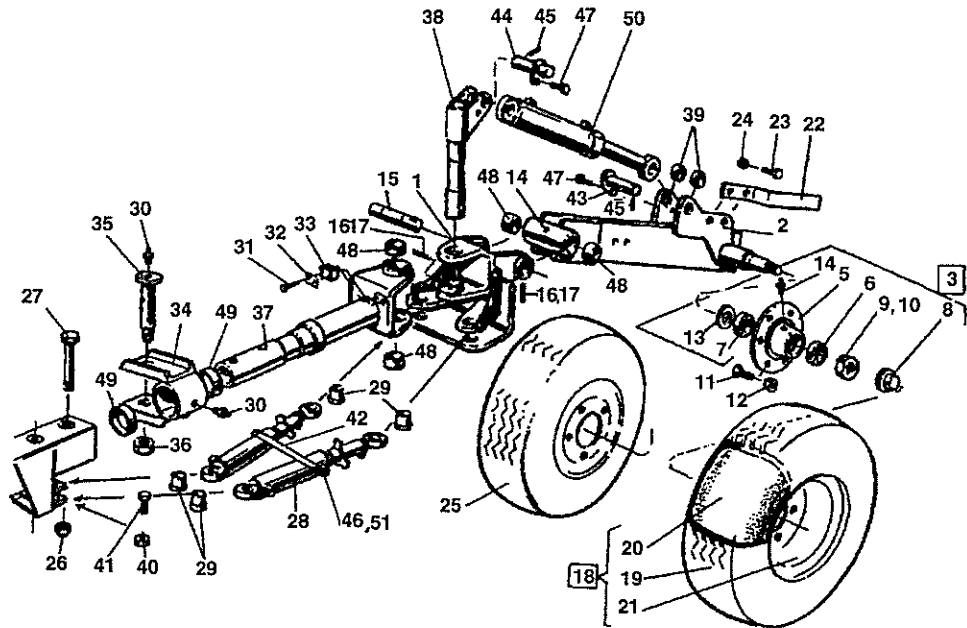
Item	Part Number	Description	Comments	
1	3940748M1	LEG HIGH	[B] 750	
1	3941850M1	Leg	[C] 800	
2	3942066M1	BEAM HOUSING	[D] PRIOR TO SN 97 264604	
2	3942557M1	BEAM HOUSING	[E] EFFECTIVE FROM SN 97 264605	
3	3940752M1	TENSION PIN		
4	3940753M1	Sleeve		
5	3940750M1	Bolt		
	3940828M1	Bolt		
7	3940463M1	BOLT		
8	3940458M1	BOLT		
9	1440206X1	Nut Metric		
10	3940209M1	NUT		
11	3940210M1	NUT		
12	3940291M1	WASHER		
13	3940371M1	WASHER		
14	3940749M1	WASHER		
15	3940774M1	WASHER		
16	3940376M1	BEAM	[A] 700	
16	3940755M1	BEAM	[C] 800	
17	3940756M1	SEAT		
18	3940757M1	BEAM HOUSING	[D] PRIOR TO SN 96 264516	Comments [D] -> 203 UA 97244D
18	3942558M1	BEAM HOUSING	[E] EFFECTIVE FROM SN 96 264517	[C] 800 [A] 700
19	3940371M1	WASHER		[E]
20	3940378M1	WALKING BEAM	PRIOR	[->
	3942740M1	WALKING BEAM	EFFECTIVE FROM SN 99270132	[F] SEE HYD. STONE TRIP PAGE
21	3940379M1	DRAW ROD	PRIOR	[B]
	3942741M1	DRAW ROD	EFFECTIVE FROM SN 99270132	750
22	3940381M1	PIVOT PIN		
23	3940219M1	PIVOT PIN		
24	3940368M1	HYDR.CYLINDER	[F] PRIOR PAG. 27	
24	3942742M1	HYDR CYLINDER	EFFECTIVE FROM SN 99270132 PAG. 27	
25	3940463M1	BOLT		
26	3940209M1	NUT		
27	3940211M1	LOCK NUT		
28	3940377M1	Axle		
29	1442142X1	Dowel		
30	391018X1	Pin	TENSION	
31	3942268M1	GREASE NIPPLE		
32	390975X1	Washer Metric		
33	339307X1	Roll Pin	TENSION	
34	339349X1	Pin		
35	3940458M1	BOLT		
36	3940210M1	NUT		
37	3940291M1	WASHER		
38	3940522M1	BOLT		
39	3942426M1	To Be Advised		
40	339035X1	Nut Metric	M6M 20	
41	3943128M1	LIFTING DEVICE		



88b

HYDRAULIC STONE TRIP

Item	Part Number	Description	Comments
1	3940664M1	Accumulator	[A]
2	3940648M1	Cord	
3	3940372M1	CYLINDER JACKET	
4	3940373M1	Piston Rod	
5	3940368M1	HYDR.CYLINDER	
6	3940390M1	SET OF SEALS	
7	3940254M1	VALVE CONE	
8	3940259M1	SEALING WASHER	
9	3940260M1	UNION	
10	391885X1	Bolt Metric	
11	339054X1	Nut Metric	
14	3940397M1	UNION	
15	3940429M1	T-UNION	
16	3940400M1	QUICK COUPLING F	
17	3940399M1	UNION	
18	3940321M1	Valve	
19	3940258M1	UNION	
20	3940380M1	T-UNION	
21	3940398M1	UNION	
22	3940273M1	Pressure Gauge	
23	3940286M1	UNION	
24	3940231M1	QUICK COUPLING M	
25	3942650M1	Hose 1:A	[E] L=1130 SRT
25	3942652M1	HOSE	[B] L=950
25	3942651M1	Hose 1:A	[D] L=1030 HSRT
26	3941901M1	HOSE	[C] L=9500
27	3941863M1	HOSE	
28	3940646M1	GUARD PLUG	
29	3940255M1	Guard	
30	3940504M1	TROTTLE WASHER	
32	3940544M1	UNION	
33	3940686M1	Valve	
34	3940218M1	UNION	
35	3940762M1	Guard	[B] L=950 [C] L=9500 [D] L=1030 HSRT [E] L=1130 SRT [A] INTEGRAL



169

MASSEY FERGUSON

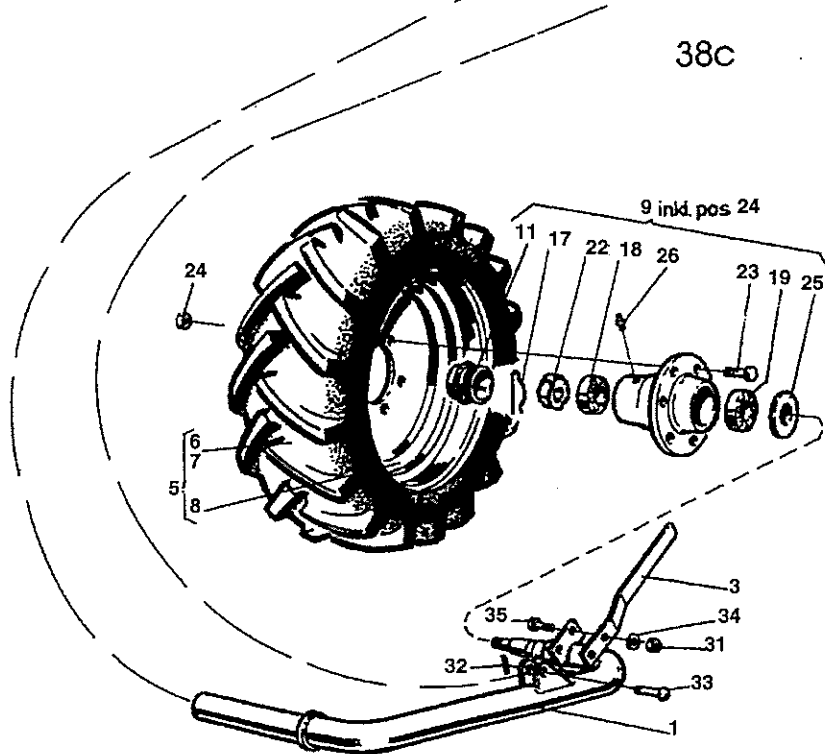
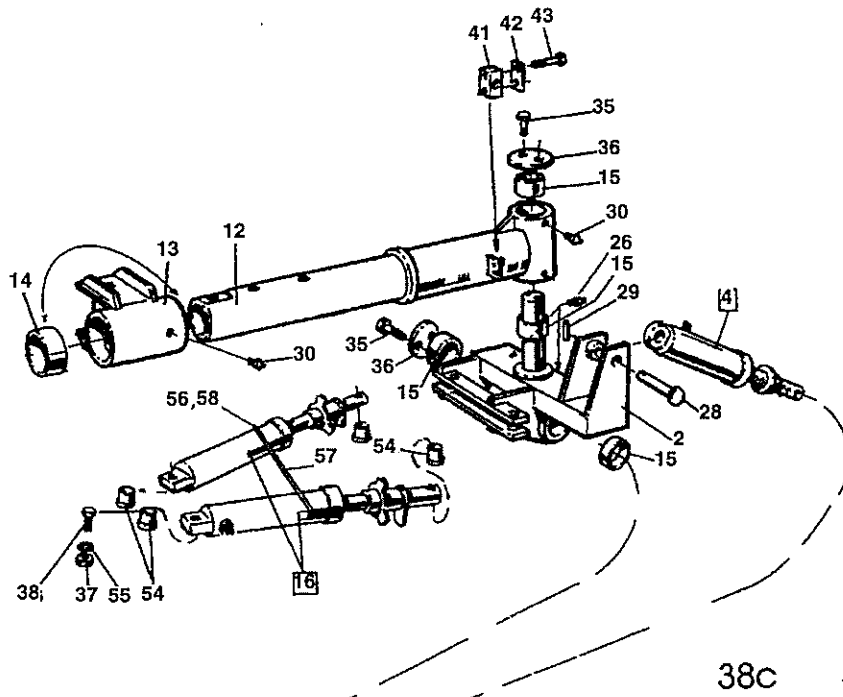
MF 725 MOULDBOARD PLOUGH - 3940878

3940878

REAR WHEEL- - SRT, SRS

14

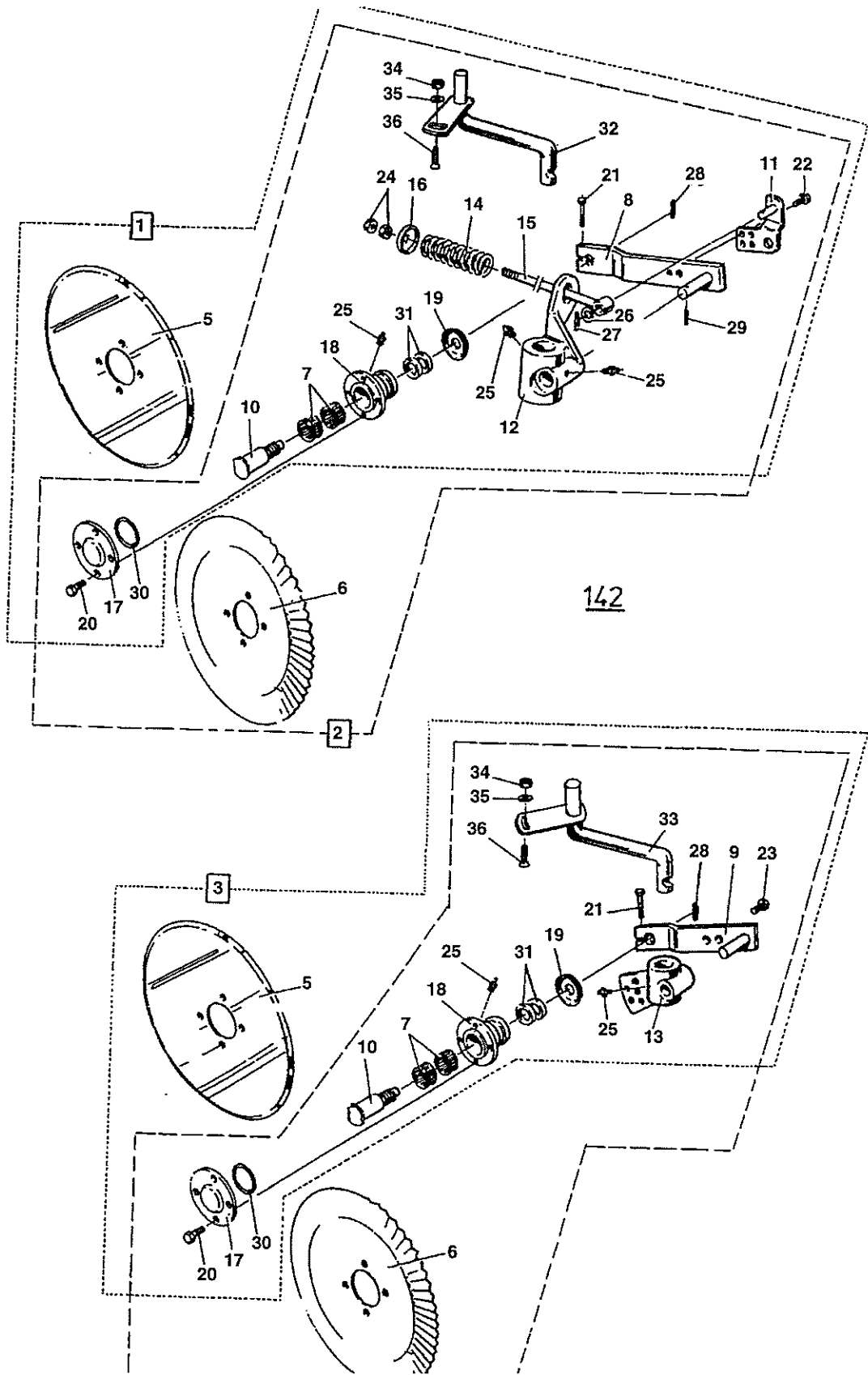
Item	Part Number	Description	Comments
			SRT, SRS
1	3941896M1	U Bolt	
2	3942441M1	WHEEL AXLE	
3	3942435M1	HUB COMPL	
5	3942434M1	HUB	
6	3942368M1	ROLLER BEARING	
7	3942403M1	ROLLER BEARING	
8	3942438M1	HUB CAP	
9	3942437M1	NUT	
10	3942439M1	LOCK SPRING	
11	3942440M1	HUB SCREW	
12	3941729M1	NUT 49	3941869M1 BEARING
13	3942369M1	WASHER 50	3941872M1 HYDR.CYLINDER [F]
14	3942269M1	Grease Nipple	PAG. 17
15	3941895M1	AXLE 51	3941922M1 Union
16	3941020M1	TENSION PIN	
17	390502X1	Pin	[H]
18	3941693M1	WHEEL COMPL.	L=600
			[A, D]
			PRIOR TO
			L
18	3942625M1	WHEEL COMPL.	[D]
			->
			[E]
			->
			[B]
			LEFT & RIGHT
19	3941694M1	TIRE	[F]
			SEE REAR WHEEL CYL./DRAW ARM PAGE
19	3942623M1	TIRE	[E]
			EFFECTIVE FROM
			[G]
			SEE ELECTRIC REVERSING VALVE PAGE
20	3941695M1	HOSE	[D]
			PRIOR TO
20	3942622M1	HOSE	[E]
			EFFECTIVE FROM
			[A]
			LEFT
21	3941696M1	RIM	[D]
			PRIOR TO
21	3942624M1	RIM	[E]
			EFFECTIVE FROM
22	3940442M1	SCRAPER	
23	391888X1	Bolt Metric	
24	339034X1	Nut Metric	
25	3941876M1	WHEEL COMPL.	[C, D]
			PRIOR TO
			R
26	3940212M1	LOCK NUT	
27	3941866M1	BOLT	
28	3941933M1	Steering Cyl	[G]
			PAG. 17
29	3941775M1	SLEEVE	
30	1441858X1	Greaser	
31	339096X1	Bolt Metric	
32	3940472M1	COVERING PLATE	
33	3941732M1	CLAMP	
34	3941871M1	Journal	
35	3941878M1	PIVOT PIN	
36	390339X1	Nut	
37	3941894M1	TURN-OVER AXLE	
38	3941889M1	LINK AXLE	
39	3941919M1	WASHER	
40	3940211M1	LOCK NUT	
41	3941626M1	BOLT	
42	3941949M1	HOSE	[H]
			L=600
43	3941960M1	PIVOT PIN	
44	3941961M1	PIVOT PIN	
45	339193X1	Pin	TENSION
46	3940684M1	SEALING WASHER	
47	339020X1	Bolt Metric	
48	3941686M1	Bearing	



REAR WHEEL- - HSRT, HSRS

Item	Part Number	Description	Comments
			HSRT, HSRS
1	3942442M1	WHEEL AXLE	
2	3940517M1	AXLE BRACKET	
3	3940442M1	SCRAPER	
4	3941872M1	HYDR.CYLINDER	[D] PAG. 17
5	3942444M91	WHEEL COMPL.	[A] 420/70
6	3942446M1	TIRE	
7	3940668M1	HOSE	
8	3940669M1	RIM	
9	3942483M1	HUB COMPL	
11	3942443M1	HUB CAP	
12	3940519M1	TURN-OVER AXLE	[C] INCL. POS 15
13	3943132M1	JOURNAL REAR	[B] INCL. POS 14
14	3940523M1	BEARING	
15	3940374M1	BEARING	
16	3941934M1	Steering Cyl	[E] PAG. 17
17	3942439M1	LOCK SPRING	
18	3942479M1	ROLLER BEARING	
19	3942480M1	ROLLER BEARING	
22	3942445M1	COLLAR NUT	
23	3942440M1	HUB SCREW	
24	3941729M1	NUT	HUB
25	3942482M1	WASHER	
26	3942269M1	Grease Nipple	
28	3940521M1	PIVOT PIN	
29	339513X1	Dowel	
30	3942268M1	GREASE NIPPLE	
31	339034X1	Nut Metric	
32	391018X1	Pin	
33	3940237M1	PIVOT PIN	
34	1441664X1	Washer Metric	
35	390419X1	Bolt Metric	
36	3940533M1	STOP WASHER	
37	3941651M1	LOCK NUT	
38	3941501M1	BOLT	
41	3940635M1	CLAMPS	
42	3940634M1	COVERING PLATE	
43	391244X1	Bolt Metric	
44	392526X1	Screw Metric	
54	3941775M1	SLEEVE	
55	390975X1	Washer Metric	
56	3941922M1	Union	
57	3941949M1	HOSE	
58	3940684M1	SEALING WASHER	

[A]
14,9 R24
[D]
SEE REAR WHEEL CYL./DRAW ARM PAGE
[E]
SEE ELECTRIC REVERSING VALVE PAGE
[C]
INCL. POS 15
[B]
INCL. POS. 14



MASSEY FERGUSON

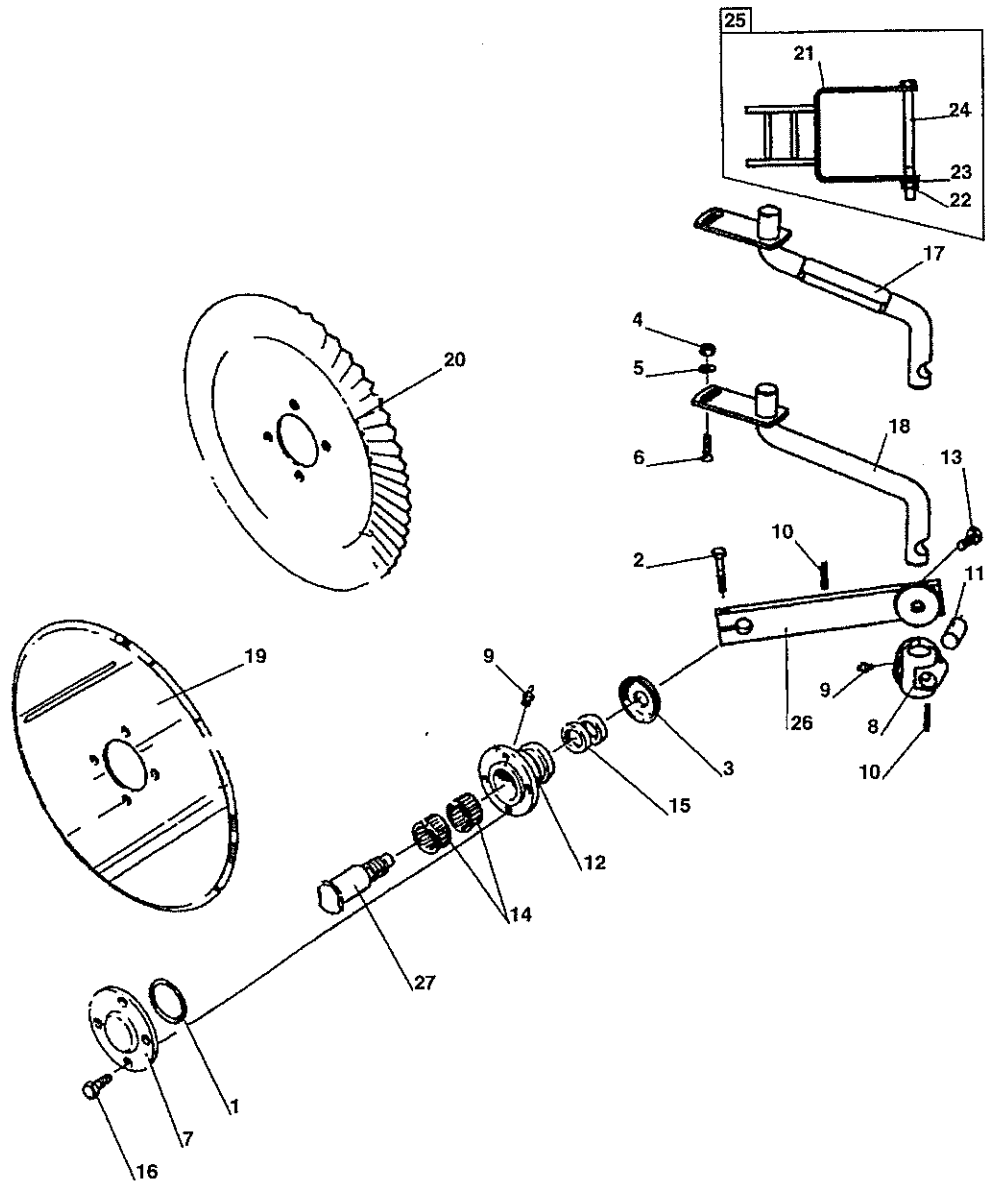
MF 725 MOULDBOARD PLOUGH - 3940878

3940878

DISC COULTER, COMPL.- - SRT, SRS, HSRT, HSRS

16

Item	Part Number	Description	Comments						
			SRT, SRS, HSRT, HSRS						
1	1658622731	DISC COULTER	[A, D, E] 450 L*						
1	1658622631	DISC COULTER	[A, C, E] 450 R*						
1	1658622633	DISC COULTER	[B, C, E] 500 R*						
1	1658622733	DISC COULTER	[B, D, E] 500 L*	13	3940807M1	Journal		L [D] R	
2	1658622737	DISC COULTER	[B, D, E] 500 L*	14	3940281M1	COMPRES. SPRNG			
2	1658622637	DISC COULTER	[B, C, E] 500 R*	15	3940350M1	SPRING RETAINER			
				16	3940276M1	WASHER			
				17	3940277M1	COVER			
3	1659427631	DISC COULTER	[A, D, E] 450 L*	18	3940278M1	HUB			
3	1659427431	DISC COULTER	[A, C, E] 450 R*	19	3940275M1	SEALING WASHER			
				20	339401X1	Screw Metric			
3	1659427633	DISC COULTER	[B, D, E] 500 L*	21	339584X1	Bolt Metric			
				22	391269X1	Screw Metric			
3	1659427433	DISC COULTER	[B, C, E] 500 R*	23	3940829M1	Bolt			
				24	3940830M1	NUT			
3	1659435931	DISC COULTER	[A, D, E] 450 L +	25	3942268M1	GREASE NIPPLE			
				26	390975X1	Washer Metric			
3	1659435831	DISC COULTER	[A, C, F] 450 R +	27	339052X1	Pin		TENSION	
				28	390383X1	Pin		TENSION	
3	1659435932	DISC COULTER	[B, D, F] 500 L +	29	339193X1	Pin		TENSION	
				30	3940195M1	O-RING			
3	1659435832	DISC COULTER	[B, C, F] 500 R +	31	1442934X1	Seal		RING	
				32	3940439M1	DISC COULT,SHA		[C, E] L*	
4	1659427635	DISC COULTER	[B, D] 500 L	32	3940438M1	DISC COULTER SH		[D, E] R*	
4	1659427435	DISC COULTER	[B, C] 500 R	33	3940808M1	Shank		[C, F] L +	
4	1659435833	DISC COULTER	[B, C, F] 500 R +	33	3940809M1	Shank		[D, F] R +	
4	1659435933	DISC COULTER	[B, D, F] 500 L +	34	339034X1	Nut Metric			
5	3940221M1	DISC COULTER	[A] 450	35	3940371M1	WASHER			
				36	3940203M1	BOLT			
5	3940268M1	DISC COULTER	[B] 500					[A] DIA. 450	
6	3940269M1	DISC COULTER	[B] 500					[B] DIA. 500	
7	3940235M1	NEEDLE BEARING						[E] SRT, HSRT	
8	3940412M1	DISC COULTER AM	[C, E] L*					[F] SRS, HSRS	
8	3940411M1	DISC COULTER	[D, E] R*					[D] LEFT	
9	3940804M1	DISC COULTER AM	[C] L					[C] RIGHT	
9	3940805M1	DISC COULTER	[D] R						
10	3940362M1	STUBE AXILE	[C] L						
10	3940279M1	AXLE	[D] R						
11	3940440M1	LEVER BRACKET	[C, E] L*						
11	3940434M1	LEVER BRACKET	[D, E] R*						
12	3940409M1	JOURNAL	[C] L						
12	3940408M1	Journal	[D] L						
13	3940806M1	JOURNAL	[C]						



191 b

MASSEY FERGUSON

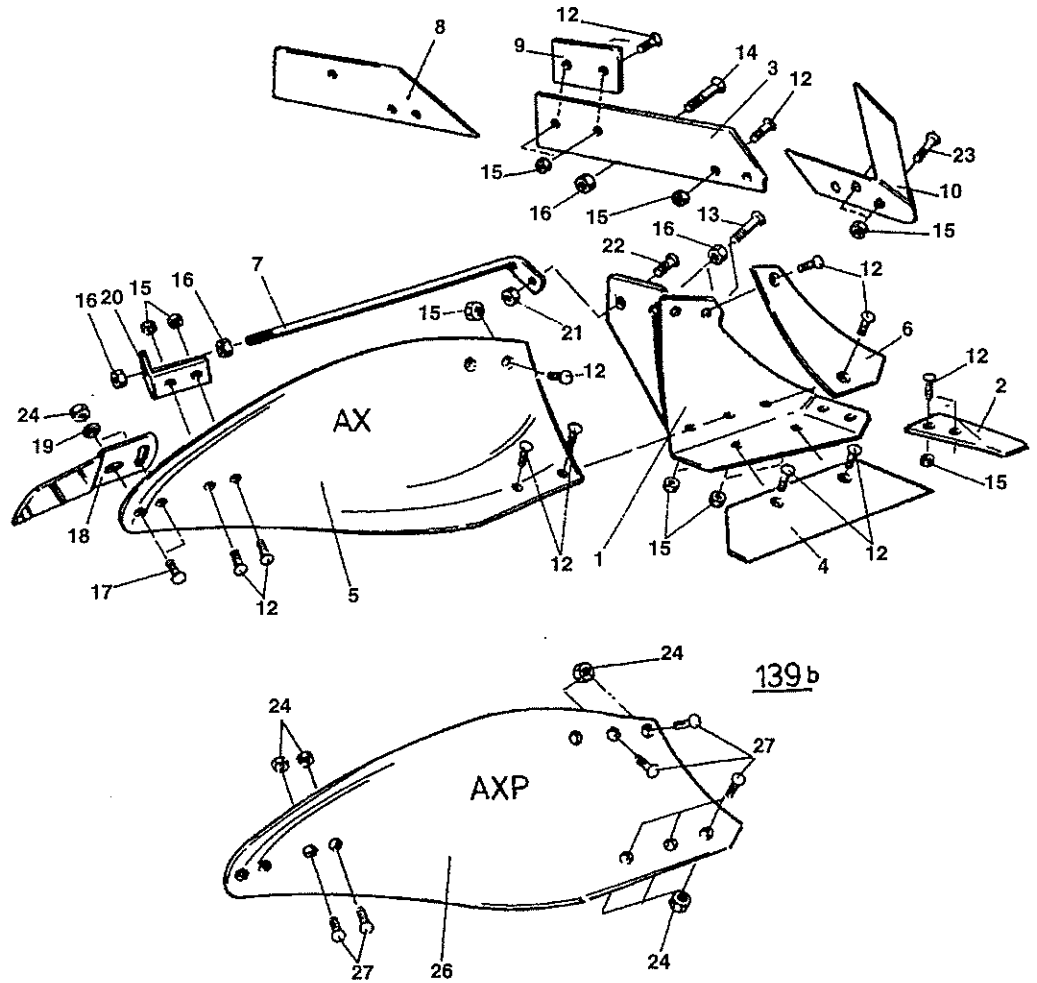
MF 725 MOULDBOARD PLOUGH - 3940878

3940878

DISC COULTER, COMPL.- - SRT, SRS, HSRT, HSRS

17

Item	Part Number	Description	Comments				
			SRT, SRS, HSRT, HSRS				
	1659473031	DISC COULTER	[A, D, E] 450 R *				
1	3940195M1	O-RING	[I] OR 65,09X3,53				
	1659473032	DISC COULTER	[A, C, E] 450 L *				
	1659473035	DISC COULTER	[B, D, E] 500 R *	23	1440206X1	Nut Metric	SRS [G] M6M 16
	1659473036	DISC COULTER	[B, C, E] 500 L *	24	1441664X1	Washer Metric	[T] BRB 17X30
	1659473039	DISC COULTER	[B, D, E] 500 R *	25	3942262M1	BOLT	[Q] M6S 16X200
	1659473020	DISC COULTER	[B, C, E] 500 L *	26	3942570M1	BRACKET	[G] SRS
	1659473033	DISC COULTER	[A, D, F] 450 R +				
	1659473034	DISC COULTER	[A, C, F] 450 L +				[A] DIA. 450
	1659473037	DISC COULTER	[B, D, F] 500 R +				[B] DIA. 500
	1659473038	DISC COULTER	[B, C, F] 500 L +				[I] FRP 4 X 20
	1659473021	DISC COULTER	[B, D, F] 500 R +				[J] FRP 6 X 40
	1659473022	DISC COULTER	[B, C, F] 500 L +				[K] MHKM M16
2	339584X1	Bolt Metric	[K] M6S 12X55				[L] DIA. 60 X 16,5
3	3940275M1	SEALING WASHER	[L]				[M] MFBK 16 X 40
4	339034X1	Nut Metric					[N] AM 8 X 1,25
5	3940371M1	WASHER					[O] M6S 20 X 55
6	3940203M1	BOLT	[M]				[P] M6S 10 X 25
7	3940277M1	COVER					[Q] M6S 16 X 200
8	3942292M1	Bearing Plate					[R] M6M 16
9	3942268M1	GREASE NIPPLE	[N] AM 8X1,25				[S] 35 X 42 X 4
10	339052X1	Pin	[J] TENSION FRP 6X40				[T] BRB 17 X 30
11	3942297M1	PIVOT PIN					[H] 2
12	3942293M1	Arm					[G] SRS
13	3942291M1	HUB					[E] SRT, HSRT
14	3940740X1	BOLT	[O] M6S 20X55				[F] SRS, HSRS
15	3940235M1	NEEDLE BEARING	[H] 2				[C] LEFT
16	3942304M1	SEALING RING	[S] 35X42X4				[D] RIGHT
17	339401X1	Screw Metric	[P] M6S 10X25				
20	3942310M1	Shank	[D] R				
20	3942311M1	Shank	[C] L				
20	3940809M1	Shank	[D] R				
20	3940808M1	Shank	[C] L				
21	3940221M1	DISC COULTER	[A] 450				
21	3940268M1	DISC COULTER	[B] 500				
21	3940269M1	DISC COULTER	[B] 500				
22	3942314M1	BRACKET	[G]				



**MASSEY FERGUSON
MF 725 MOULDBOARD PLOUGH - 3940878**

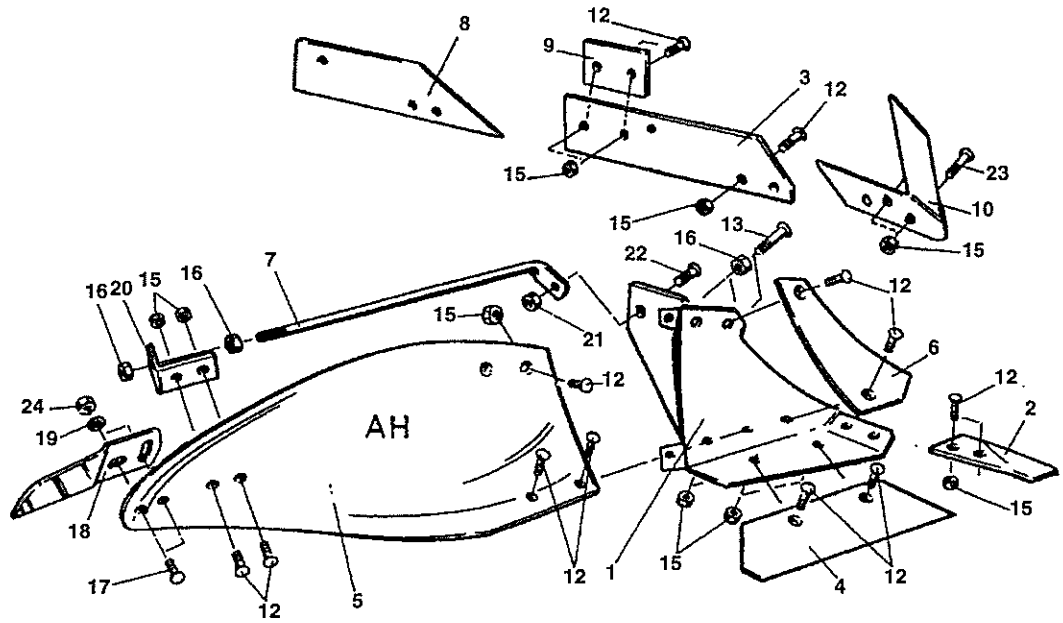
3940878

PLOUGH BODY- - AX, AXP

18

Item	Part Number	Description	Comments AX, AXP
1	3940719M1	Frog	[A] L
1	3940718M1	Frog	[B] R
2	3940741M1	SHARE POINT	[A] L
2	3940742M1	SHARE POINT	[B] R
3	3940713M1	Landside	[A] L
3	3940712M1	Landside	[B] R
4	3940707M1	Share	[C, A] 14" L
4	3940706M1	Share	[C, B] 14" R
4	3940709M1	Share	[D, A] 16" L
4	3940708M1	Share	[D, B] 16" R
4	3940711M1	Share	18" L
	3940710M1	Share	18" R
5	3940743M1	Mouldboard	[F, A] AX/L
5	3940744M1	Mouldboard	[F, B] AX/R
6	3940705M1	MOULDBOARD SHIN	[A] L
6	3940704M1	MOULDBOARD SHIN	[B] R
7	3940716M1	SUPPORT STAY	
8	3940715M1	LANDSIDE SHORT	[A] L
8	3940714M1	LANDSIDE SHORT	[B] R
9	3940670M1	WEAR PLATE	
10	3940745M1	FIN COULTER	[A] L
10	3940746M1	FIN COULTER	[B] R
12	3940775M1	BOLT	
13	3940205M1	BOLT	
14	3940206M1	BOLT	
15	3940759M1	NUT	
16	1444304X1	Nut	
17	3940201M1	BOLT	
18	3940262M1	MOULDBOARD EXT	[A] L
18	3940234M1	MOULDBOARD EXT	[B] R
19	390735X1	Washer	
20	3940717M1	Fastener	
21	339034X1	Nut Metric	
22	3940203M1	BOLT	16" [E]
23	3940758M1	BOLT	18" [F]
24	1440204X1	Nut Metric	[G]
26	3940776M1	Mouldboard	[A, G] AXP/L
26	3940777M1	MULDBOARD PLAST	[B, G] AXP/R
27	3940200M1	BOLT	[A] LEFT [B] RIGHT
			[C] 14" [D]





180

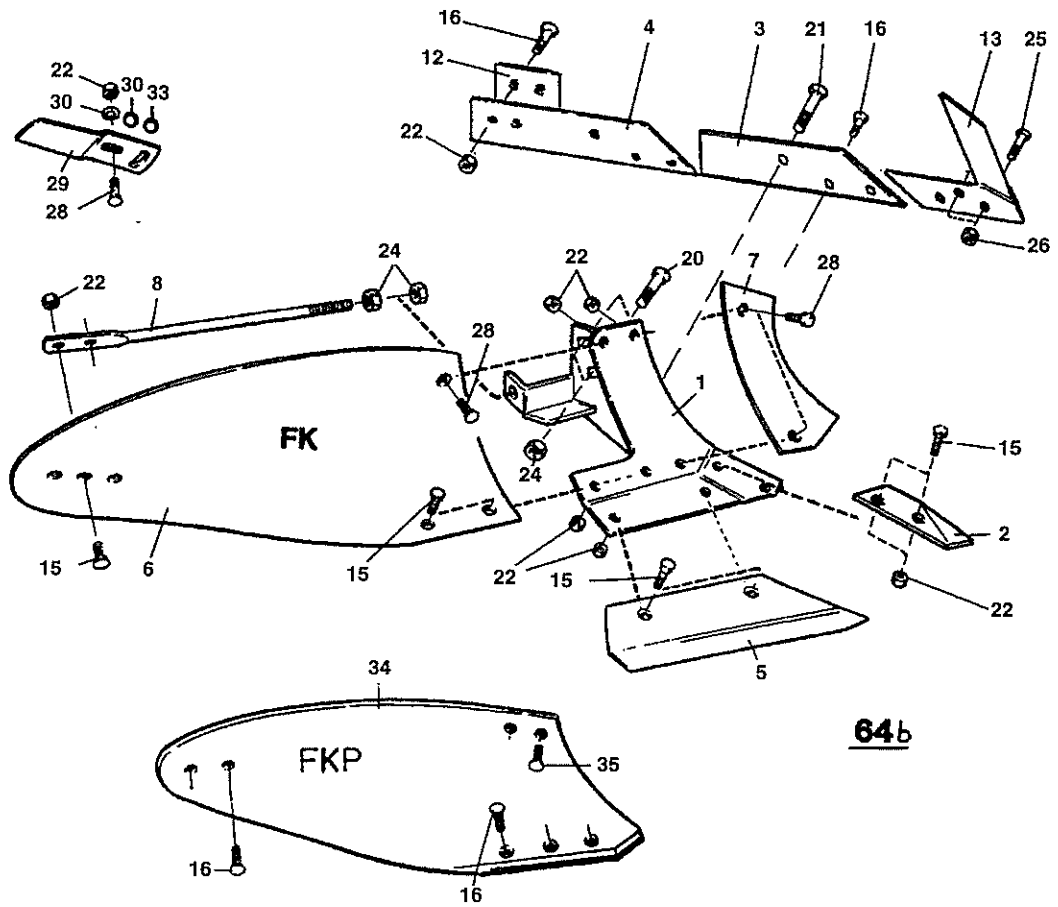
**MASSEY FERGUSON
MF 725 MOULDBOARD PLOUGH - 3940878**

3940878

PLOUGH BODY - AH ONLY

19

Item	Part Number	Description	Comments	
			AH ONLY	
1	3941964M1	Frog	[A, C] 98.03.01 PRIOR TO L	
1	3942627M1	Frog	[A, D] 98.03.01 EFFECTIVE FROM L	
1	3941965M1	Frog	[B, C] 98.03.01 PRIOR TO R	
1	3942626M1	Frog	[B, D] 98.03.01 EFFECTIVE FROM R	
2	3940741M1	SHARE POINT	[A] L	
2	3940742M1	SHARE POINT	[B] R	
3	3941966M1	Landside	[A] L	
3	3941967M1	Landside	[B] R	
4	3941968M1	Share	[A, E] 16" L	
4	3941969M1	Share	[B, E] 16" R	
4	3941970M1	Share	[A, F] 18" L	
4	3941971M1	Share	[B, F] 18" R	
5	3941972M1	Mouldboard	[A, G] AH/L	
5	3941973M1	Mouldboard	[B, G] AH/R	
6	3941974M1	MOULDBOARD SHIN	[A] L	Comments [E]
6	3941975M1	MOULDBOARD SHIN	[B] R	16" [F]
7	3941976M1	SUPPORT STAY		18"
8	3941977M1	LANDSIDE SHORT	[A] L	[C]
8	3941978M1	LANDSIDE SHORT	[B] R	-> [D]
9	3940670M1	WEAR PLATE		-> [G]
10	3940745M1	FIN COULTER	[A] L	AH [A]
10	3940746M1	FIN COULTER	[B] R	LEFT [B]
12	3940775M1	BOLT		RIGHT
13	3940205M1	BOLT		
15	3940759M1	NUT		
16	1444304X1	Nut		
17	3940201M1	BOLT		
18	3940262M1	MOULDBOARD EXT	[A] L	
18	3940234M1	MOULDBOARD EXT	[B] R	
19	390735X1	Washer		
20	3940717M1	Fastener		
21	339034X1	Nut Metric		
22	3940203M1	BOLT		
23	3940758M1	BOLT		
24	1440204X1	Nut Metric		



MASSEY FERGUSON

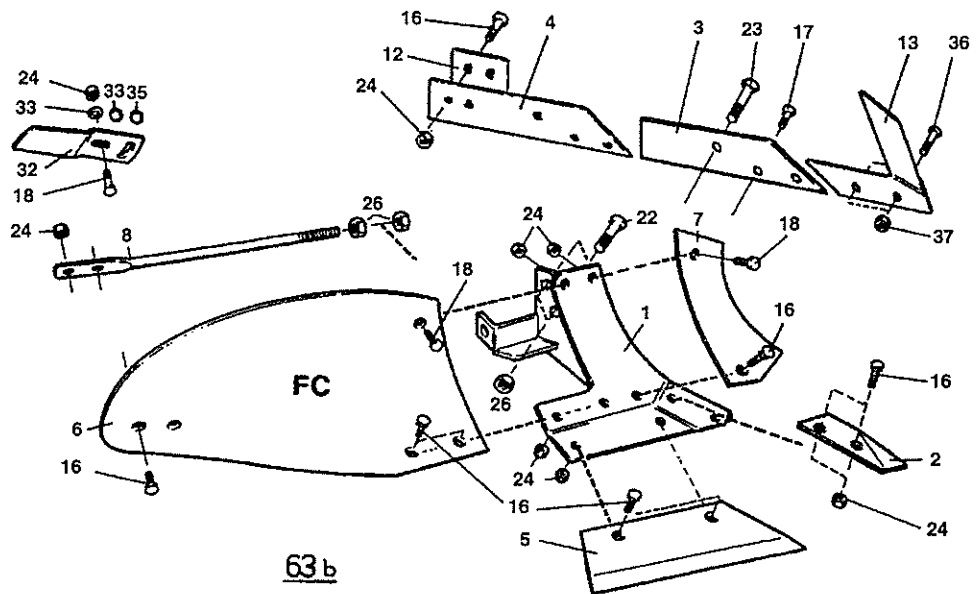
MF 725 MOULDBOARD PLOUGH - 3940878

3940878

PLOUGH BODY - FK ONLY

20

Item	Part Number	Description	Comments	
			FK ONLY	
1	3940320M1	Frog	[A] L	
1	3940299M1	Frog	[B] R	
2	3940336M1	SHARE POINT	[A] L	
2	3940326M1	SHARE POINT	[B] R	
3	3940385M1	LANDSIDE SHORT	[A] L	
3	3940363M1	LANDSIDE SHORT	[B] R	
4	3940701M1	LANDSIDE LONG	[A] L	
4	3940740M1	LANDSIDE LONG	[B] R	
5	3940314M1	Share	[A, C] 14" L	
5	3940312M1	Share	[B, C] 14" R	
5	3940345M1	Share	[A, D] 16" L	
5	3940347M1	Share	[B, D] 16" R	
5	3940346M1	Share	[A, E] 18" L	
5	3940348M1	Share	[B, E] 18" R	
6	3940343M1	Mouldboard	[A, F] FK/L	
6	3940342M1	Mouldboard	[B, F] FK/R	
7	3940316M1	MOULDBOARD SHIN	[A] L	
7	3940302M1	MOULDBOARD SHIN	[B] R	
8	3940327M1	SUPPORT STAY		
12	3940670M1	WEAR PLATE		
13	3940745M1	FIN COULTER	[A] L	
13	3940746M1	FIN COULTER	[B] R	Comments
15	3940199M1	BOLT		[D] 16"
16	3940200M1	BOLT		[E] 18"
20	3940205M1	BOLT		[F] FK
21	3940206M1	BOLT		[G] FKP
22	1440204X1	Nut Metric		[A] LEFT
24	1444304X1	Nut		[B] RIGHT
25	3940758M1	BOLT		
26	3940759M1	NUT		
28	3940201M1	BOLT		
29	3940262M1	MOULDBOARD EXT	[A] L	
29	3940234M1	MOULDBOARD EXT	[B] R	
30	390735X1	Washer		
33	3940410M1	WASHER		
34	3940417M1	MULDBOARD PLAST	[B, G] FKP/R	
34	3940418M1	MULDBOARD PLAST	[A, G] FKP/L	
35	3940197M1	BOLT		
			[C] 14"	



**MASSEY FERGUSON
MF 725 MOULDBOARD PLOUGH - 3940878**

3940878

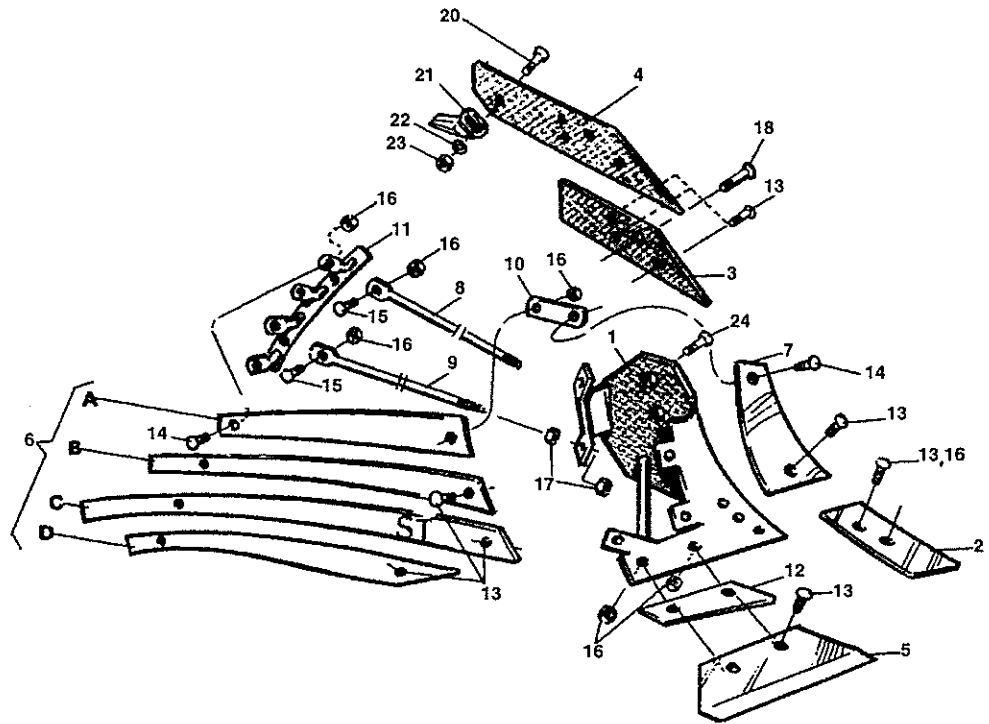
PLOUGH BODY - FC ONLY

21

Item	Part Number	Description	Comments
			FC ONLY
1	3940319M1	Frog	[A] L
1	3940318M1	Frog	[B] R
2	3940337M1	SHARE POINT	[A] L
2	3940328M1	SHARE POINT	[B] R
3	3940359M1	LANDSIDE SHORT	[A] L
3	3940391M1	LANDSIDE SHORT	[B] R
4	3940700M1	LANDSIDE LONG	[A] L
4	3940810M1	LANDSIDE LONG	[B] R
5	3940333M1	Share	[A, C] 14" L
5	3940329M1	Share	[B, C] 14" R
5	3940334M1	Share	[A, D] 16" L
5	3940330M1	Share	[B, D] 16" R
5	3940335M1	Share	[A, E] 18" L
5	3940332M1	Share	[B, E] 18" R
6	3940317M1	Mouldboard	[A, F] FC/L
6	3940305M1	Mouldboard	[B, F] FC/R
7	3940315M1	MOULDBOARD SHIN	[A] L
7	3940306M1	MOULDBOARD SHIN	[B] R
8	3940375M1	SUPPORT STAY	
12	3940670M1	WEAR PLATE	
13	3940745M1	FIN COULTER	[A] L
13	3940746M1	FIN COULTER	[B] R
16	3940199M1	BOLT	
17	3940200M1	BOLT	
18	3940201M1	BOLT	
22	3940205M1	BOLT	
23	3940206M1	BOLT	
24	1440204X1	Nut Metric	
26	1444304X1	Nut	
32	3940262M1	MOULDBOARD EXT	[A] L
32	3940234M1	MOULDBOARD EXT	[B] R
33	390735X1	Washer	
35	3940410M1	WASHER	
36	3940758M1	BOLT	
37	3940759M1	NUT	

[C]
14"
[D]
16"
[E]
18"
[F]

Comments
FC
[A]
LEFT
[B]
RIGHT



66a

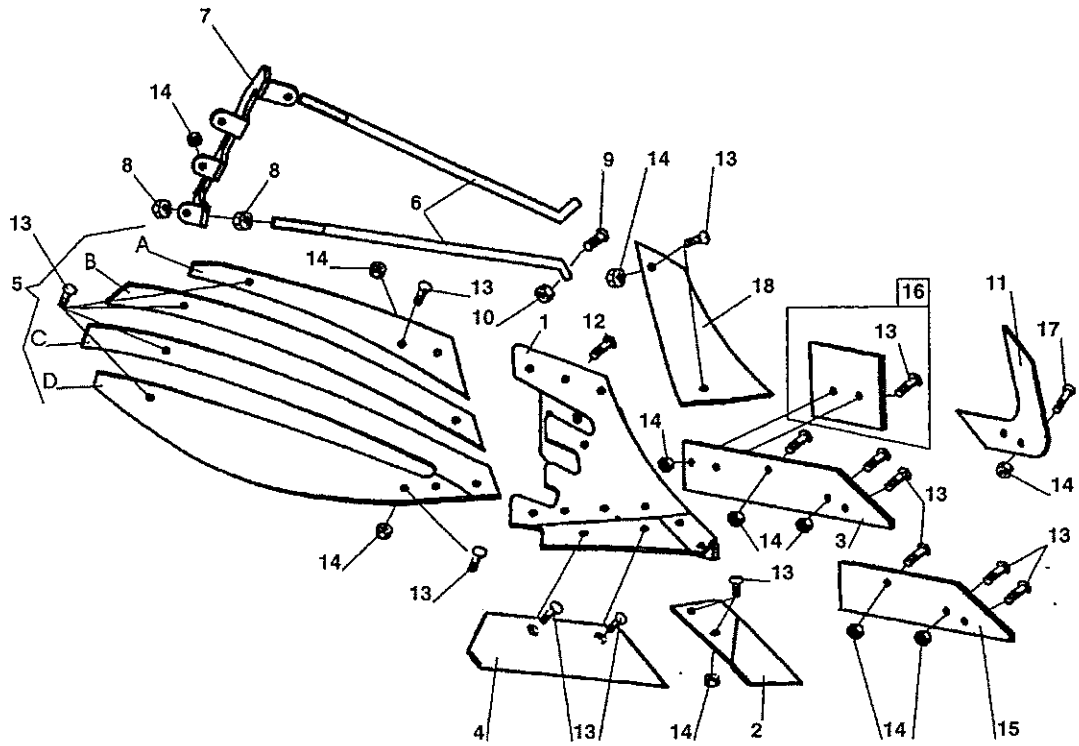
**MASSEY FERGUSON
MF 725 MOULDBOARD PLOUGH - 3940878**

3940878

PLOUGH BODY - ST ONLY

22

Item	Part Number	Description	Comments	Item	Part Number	Description	Comments
			ST ONLY				
1	3940579M1	Frog	[B] R	10	3940586M1	PLATTE	R [A]
1	3940571M1	Frog	[A] L	11	3940580M1	BRIDGE	L [B]
2	3940552M1	SHARE POINT	[B] R	11	3940576M1	BRIDGE	R [A]
2	3940553M1	SHARE POINT	[A] L	12	3940199M1	BOLT	L
3	3940562M1	LANDSIDE SHORT	[B] R	13	3940565M1	BOLT	
3	3940561M1	LANDSIDE SHORT	[A] L	14	3940199M1	BOLT	
4	3940564M1	LANDSIDE LONG	[B] R	15	3940565M1	BOLT	
4	3940563M1	LANDSIDE LONG	[A] L	16	1440204X1	Nut Metric	
5	3940551M1	Share	[B, C] 12" R	17	1444304X1	Nut	
5	3940555M1	Share	[A, C] 12" L	18	3940206M1	BOLT	
5	3940558M1	Share	[B, D] 14" R	20	3940204M1	BOLT	
5	3940556M1	Share	[A, D] 14" L	21	3940261M1	Heel	
5	3940559M1	Share	[B, E] 16" R	22	1441664X1	Washer Metric	
5	3940557M1	Share	[A, E] 16" L	23	339034X1	Nut Metric	
6	3940577M1	Mouldboard	[B] R	24	3940205M1	BOLT	
6	3940566M1	Mouldboard	[A] L				[D] 14"
6	3940581M1	STRIPE A	[B] ILLUSTRATION A R				[E] 16"
6	3940572M1	STRIPE A	[A] ILLUSTRATION A L				[F] (370)
6	3940582M1	STRIPE B	[B] ILLUSTRATION B R				[G] (580)
6	3940573M1	STRIPE B	[A] ILLUSTRATION B L				[A] LEFT
6	3940583M1	STRIPE C	[B] ILLUSTRATION C R				[B] RIGHT
6	3940574M1	STRIPE C	[A] ILLUSTRATION C L				[C] 12"
6	3940584M1	STRIPE D	[B] ILLUSTRATION D R				
6	3940575M1	STRIPE D	[A] ILLUSTRATION D L				
7	3940578M1	MOULDBOARD SHIN	[B] R				
7	3940570M1	MOULDBOARD SHIN	[A] L				
8	3940568M1	SUPPORT STAY	[F] (370)				
9	3940569M1	SUPPORT STAY	[G] (580)				
10	3940567M1	CLAMP PLATTE	[B]				



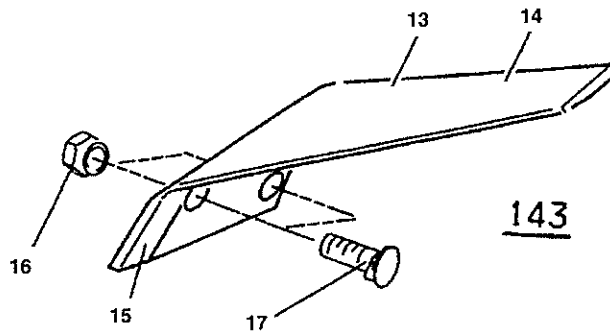
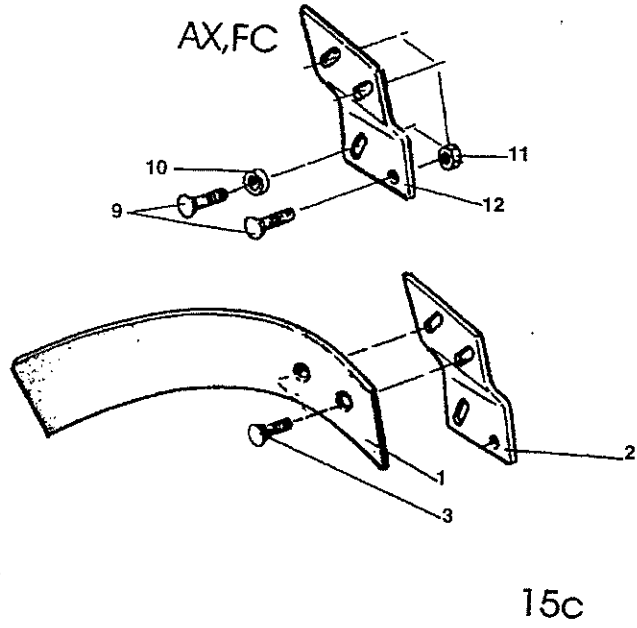
291

MASSEY FERGUSON**MF 725 MOULDBOARD PLOUGH - 3940878**

3940878

PLOUGH BODY-**23**

Item	Part Number	Description	Comments
	3942705M1	STRIPE A	R
	3942712M1	STRIPE A	L
	3942706M1	STRIPE B	R
	3942713M1	STRIPE B	L
	3942707M1	STRIPE C	R
	3942714M1	STRIPE C	L
	3942708M1	STRIPE D	R
	3942715M1	STRIPE D	L
1	3942727M1	Frog	L
	3942728M1	Frog	R
2	3940741M1	SHARE POINT	L
	3940742M1	SHARE POINT	R
3	3941966M1	Landside	L
	3941967M1	Landside	R
4	3941968M1	Share	16" L
	3941969M1	Share	16" R
	3941970M1	Share	18" L
	3941971M1	Share	18" R
5	3942710M1	Mouldboard	AS/L
	3942704M1	Mouldboard	AS/R
6	3941976M1	SUPPORT STAY	
7	3942709M1	BRIDGE	R
	3942711M1	BRIDGE	L
8	1444304X1	Nut	
9	3940203M1	BOLT	
10	339034X1	Nut Metric	
11	3940745M1	FIN COULTER	L
	3940746M1	FIN COULTER	R
12	3940205M1	BOLT	
13	3940775M1	BOLT	
14	3940759M1	NUT	
15	3941977M1	LANDSIDE SHORT	L
	3941978M1	LANDSIDE SHORT	R
16	3940670M1	WEAR PLATE	
17	3940758M1	BOLT	
18	3942729M1	MOULDBOARD SHIN	L
	3942730M1	MOULDBOARD SHIN	R



MASSEY FERGUSON

MF 725 MOULDBOARD PLOUGH - 3940878

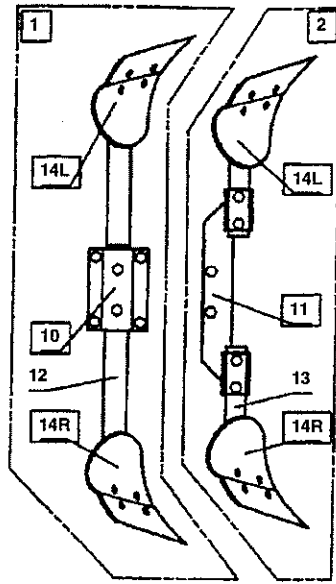
3940878

COVERBOARD AND FURROW WIDENING KNIFE- - FK, FC, AX, AH FOR COVERBOARD

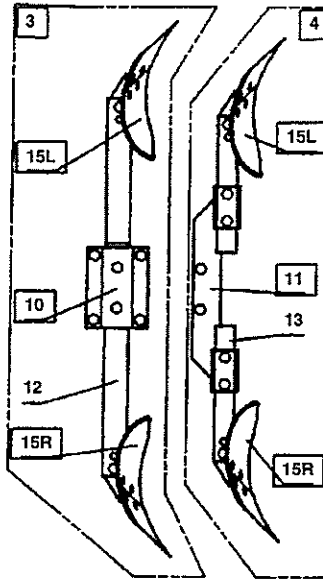
24

Item	Part Number	Description	Comments
			FK, FC, AX, AH FOR COVERBOARD
	1658402150	COVERBOARD COMP	[A, C]
1	3940300M1	COVERBOARD	[A, C]
	1658402050	COVERBOARD COMP	[B, C]
1	3940301M1	COVERBOARD	[B, C]
	1659626950	COVERBOARD COMP	[A, D]
1	3941790M1	COVERBOARD	[A, D]
	1659626850	COVERBOARD COMP	[B, D]
1	3941789M1	COVERBOARD	[B, D]
2	3940300M1	COVERBOARD	[A]
	3940303M1	BRACKET PLATE	[B]
3	3940200M1	BOLT	
5	3940272M1	WASHER	
6	339054X1	Nut Metric	
9	3940201M1	BOLT	
10	3940811M1	WASHER	
11	3940812M1	COLLAR NUT	
12	3941788M1	BRACKET PLATE	[A, D]
	3941787M1	BRACKET PLATE	[B, D]
13	1659567959	FURROW KNIFE	[A]
14	1659567859	FURROW KNIFE	[B]
15	3940813M1	FURROW KNIFE	[A]
	3940814M1	FURROW KNIFE	[B]
16	3940775M1	BOLT	
17	3940759M1	NUT	

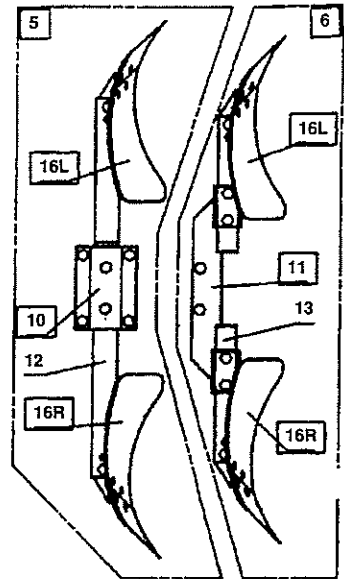
[D]
 AX, AH
 [C]
 FK, FC
 [A]
 LEFT
 [B]
 RIGHT



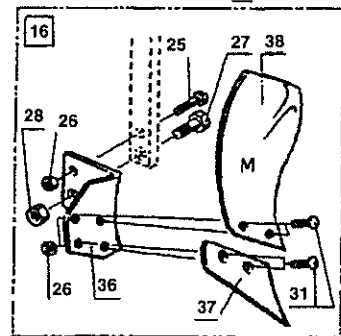
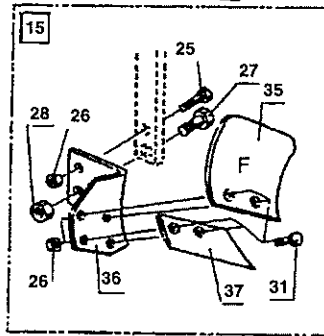
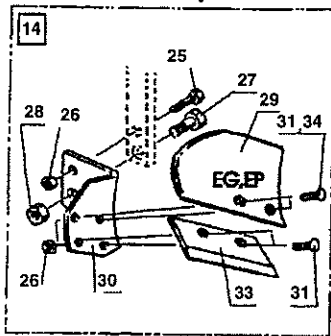
EG,EP



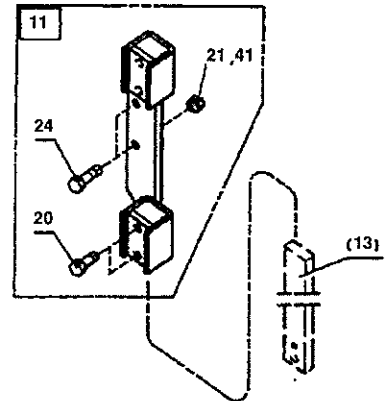
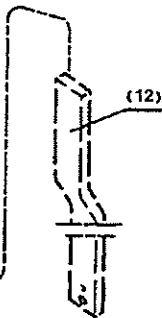
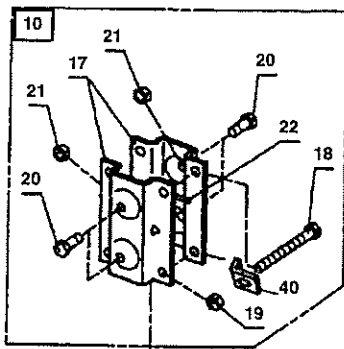
F



M



129b



MASSEY FERGUSON

MF 725 MOULDBOARD PLOUGH - 3940878

3940878

SKIMMER- - SRT, SRS, HSRT, HSRs

25

Item	Part Number	Description	Comments
			SRT, SRS, HSRT, HSRs
1	1652083450	SKIMMER TYPE EP	[C, H] *75
1	1659905150	SKIMMER TYPE EP	[C, I] *80
1	1652083150	SKIMMER TYPE EG	[C] *75
1	1659825150	SKIMMER TYPE EG	*80
2	1659495750	SKIMMER TYPE EP	[D, G, H] +80 PRIOR TO
2	1659905450	SKIMMER TYPE EP	[D, G, I] +80 EFFECTIVE FROM
2	1659495650	SKIMMER TYPE EP	[D, F, H] +75 PRIOR TO
2	1659905350	SKIMMER TYPE EP	[D, F, I] +75 EFFECTIVE FROM
2	1659745250	SKIMMER TYPE EP	[D, E, H] +70 PRIOR TO
2	1659905250	SKIMMER TYPE EP	[D, E, I] +70 EFFECTIVE FROM
2	1659825450	SKIMMER TYPE EG	[D, G] +80
2	1659825350	SKIMMER TYPE EG	[D, F] +75
2	1659825250	SKIMMER TYPE EG	[D, E] +70
3	1652083250	SKIMMER TYPE F	[C, H] *75
3	1659903550	SKIMMER TYPE F	[C, I] *80
4	1659312450	SKIMMER TYPE F	[D, G, H] +80 PRIOR TO
4	1659903850	SKIMMER TYPE F	[D, G, I] +80 EFFECTIVE FROM
4	1659312350	SKIMMER TYPE F	[D, F, H] +75 PRIOR TO
4	1659903750	SKIMMER TYPE F	[D, F, I] +75 EFFECTIVE FROM
4	1659745350	SKIMMER TYPE EG	[D, E, H] +70 PRIOR TO
4	1659903650	SKIMMER TYPE F	[D, E, I] +70 EFFECTIVE FROM
5	1652083350	SKIMMER TYPE M	[C, H] *75
5	1659904250	SKIMMER TYPE M	[C, I] *80
6	1659551550	SKIMMER TYPE EG	[D, G, H] +80 PRIOR TO
6	1659904550	SKIMMER TYPE M	[D, G, I] +80 EFFECTIVE FROM
6	1659551450	SKIMMER TYPE EG	[D, F, H] +75

**MASSEY FERGUSON
MF 725 MOULDBOARD PLOUGH - 3940878**

3940878

25

SKIMMER- - SRT, SRS, HSRT, HSRS

Item	Part Number	Description	Comments
27	3940831M1	Bolt	[H] PRIOR TO
27	3942621M1	BOLT	[I] EFFECTIVE FROM
28	1442739X1	Locknut	
29	3940501M1	EG MOULDBOARD	[B] R
29	3940502M1	EG MOULDBOARD	[A] L
29	3940534M1	EP MOULDBOARD	[B] R
29	3940535M1	EP MOULDBOARD	[A] L
30	3942334M1	EG-EPFROG	[B] R
30	3942335M1	EG EP FROG	[A] L
31	3940199M1	BOLT	
33	3940499M1	EG EP SHARE	[B] R
33	3940500M1	EP-SHARE	[A] L
34	3940200M1	BOLT	
35	3940766M1	F-MOULDBOARD	[B] R
35	3940767M1	F-MOULDBOARD	[A] L
36	3942447M1	M-F FROG	[B] R
36	3942448M1	F-M-FROG	[A] L
37	3940770M1	F-M-SHAR	[B] R
37	3940771M1	F-M-SHAR	[A] L
38	3940772M1	M MOULDBOARD	[B] R
38	3940773M1	M-MOULDBOARD	[A] L
40	3942703M1	Lock Washer	
41	1441664X1	Washer Metric	

[H]
-> 203 UA 97244D
[E]
70
[F]
75
[G]
80
[I]
|->
[C]
SRT, HSRT
[D]
SRS, HSRS
[A]
LEFT
[B]
RIGHT

MASSEY FERGUSON

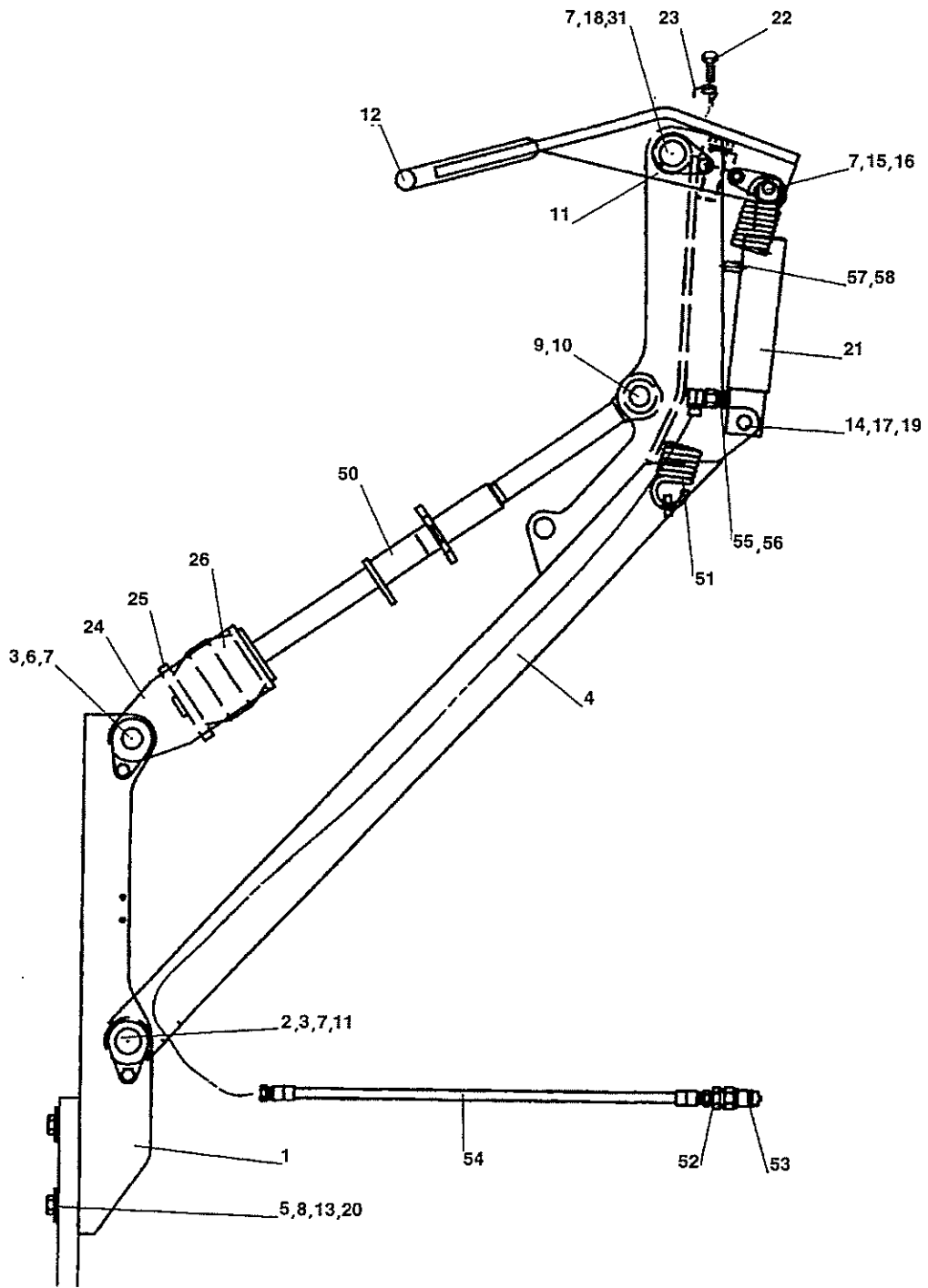
MF 725 MOULDBOARD PLOUGH - 3940878

3940878

SKIMMER- - SRT, SRS, HSRT, HSRS

25

Item	Part Number	Description	Comments
6	1659904450	SKIMMER TYPE M	PRIOR TO [D, F, I] +75 EFFECTIVE FROM
6	1659745450	SKIMMER TYPE EG	[D, E, H] +70 PRIOR TO
6	1659904350	SKIMMER TYPE M	[D, E, I] +70 EFFECTIVE FROM
10	1659454650	BRACKET	[C]
11	1659227350	BRACKET	[D, G] +80
11	1659222750	BRACKET	[D, F] +75
11	1659744550	BRACKET	[D, E] +70
12	1652082950	SHANK	[C, H] * L=570
12	1659826250	SHANK-EG	[C, I] *L=650
13	1659735450	Shank	[D, H] + PRIOR TO
13	1659826350	SHANK-EG	[D, I] + EFFECTIVE FROM
14	1659552350	SKIMMER TYPE EG	[B, H] R PRIOR TO
14	1659904950	SKIMMER TYPE EP	[B, I] R EFFECTIVE FROM
14	1659552450	SKIMMER TYPE EG	[A, H] L PRIOR TO
14	1659905050	SKIMMER TYPE EP	[A, I] L EFFECTIVE FROM
14	1659826050	SKIMMER TYPE EG	[B] R
14	1659826150	SKIMMER TYPE EG	[A] L
15	1659552550	SKIMMER TYPE EG	[B, H] R PRIOR TO
15	1659903350	SKIMMER TYPE F	[B, I] R EFFECTIVE FROM
15	1659552650	SKIMMER TYPE EG	[A, H] L PRIOR TO
15	1659903450	SKIMMER TYPE F	[A, I] L EFFECTIVE FROM
16	1659551150	SKIMMER TYPE EG	[B, H] R PRIOR TO
16	1659904050	SKIMMER TYPE M	[B, I] R EFFECTIVE FROM
16	1659551250	SKIMMER TYPE EG	[A, H] L PRIOR TO
16	1659904150	SKIMMER TYPE M	[A, I] L EFFECTIVE FROM
17	3940763M1	BRACKET	
18	339498X1	Screw	
19	339034X1	Nut Metric	
20	3940488M1	ADJUSTING ROD	
21	1440206X1	Nut Metric	
22	3940764M1	PIN, HAIR	
24	3943122M1	BOLT	
25	3001427X1	Bolt	
	3942258M1	BOLT	[H] PRIOR TO
25	3942620M1	Bolt EG	[I] EFFECTIVE FROM
26	339054X1	Nut Metric	



166 a

MASSEY FERGUSON

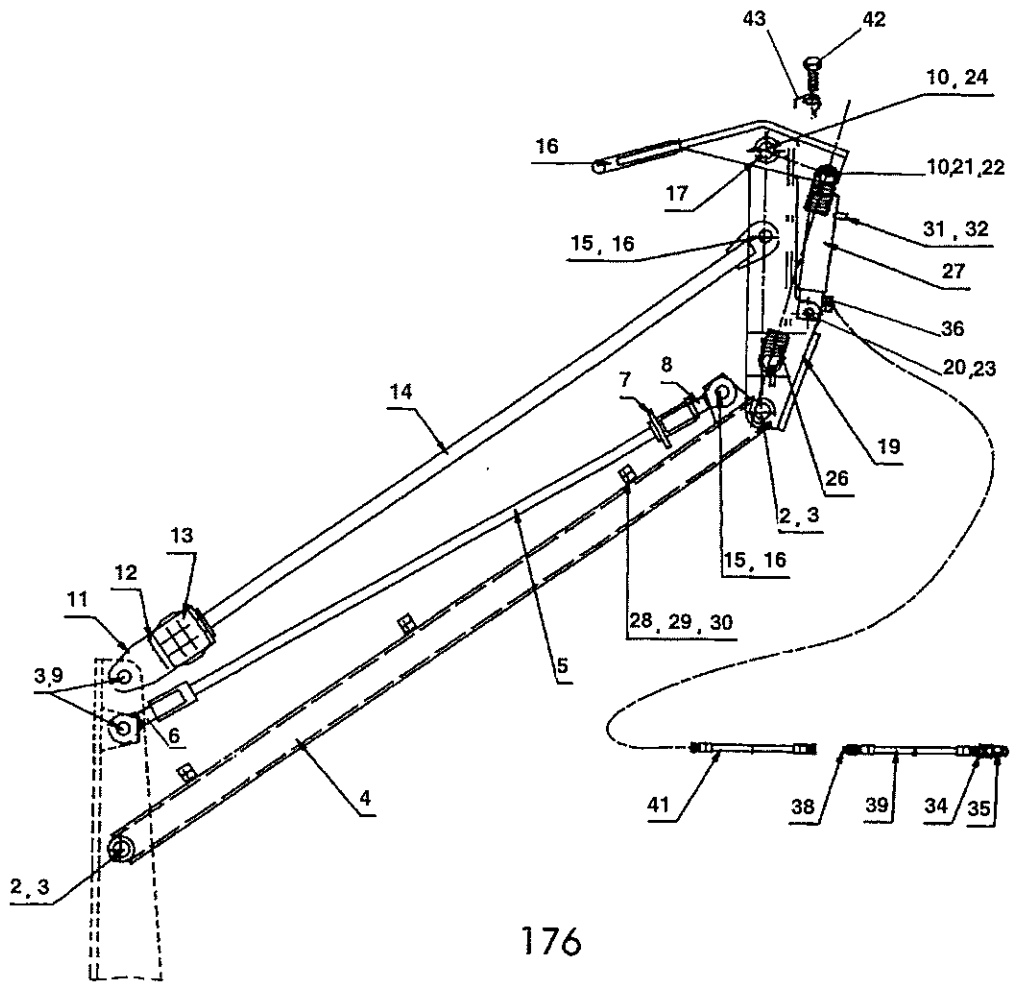
MF 725 MOULDBOARD PLOUGH - 3940878

3940878

DRAW ARM - - SRT, SRS

26

Item	Part Number	Description	Comments
			SRT, SRS
	1659612051	DRAW ARM	
1	3941951M1	BRACKET	
2	3942125M1	PIN, HAIR	
3	339193X1	Pin	TENSION
4	3941957M1	DRAW ROD	
5	3940749M1	WASHER	
6	3942136M1	Axle Bridge	
7	339020X1	Bolt Metric	
8	3940828M1	Bolt	
9	3941959M1	PIVOT PIN	
10	3940331M1	Linch Pin	
11	1441858X1	Greaser	
12	3941943M1	CATCH COMPL.	
13	1440206X1	Nut Metric	
14	3940226M1	PIVOT PIN	
15	3941947M1	SPACER WASHER	
16	3942138M1	PIVOT PIN	
17	1442142X1	Dowel	
18	3942139M1	Axle Bridge	
19	3940291M1	WASHER	
20	3940752M1	TENSION PIN	
21	3941733M91	HYD. CYLINDER	[B] PAG. 17
22	3940364M1	BOLT	
23	3940367M1	FRICTION SPRING	
24	3941938M1	BRACKET	
25	3941937M1	PLATE,LUBRICAT	
26	3941859M1	SPRING-MOUNTED	
50	3941958M1	DRAW ROD	
51	3941860M1	SPRING	
52	3940589M1	Union	
53	3940231M1	QUICK COUPLING M	
54	3941857M1	HOSE	[A] L=4900
55	3941737M1	Elbow Union	
56	3940639M1	Union	
57	3940506M1	Filter	
58	3941956M1	UNION	
			[A] L=4900
			[B] SEE REAR WHEEL CYL. / DRAW ARM PAGE



MASSEY FERGUSON**MF 725 MOULDBOARD PLOUGH - 3940878**

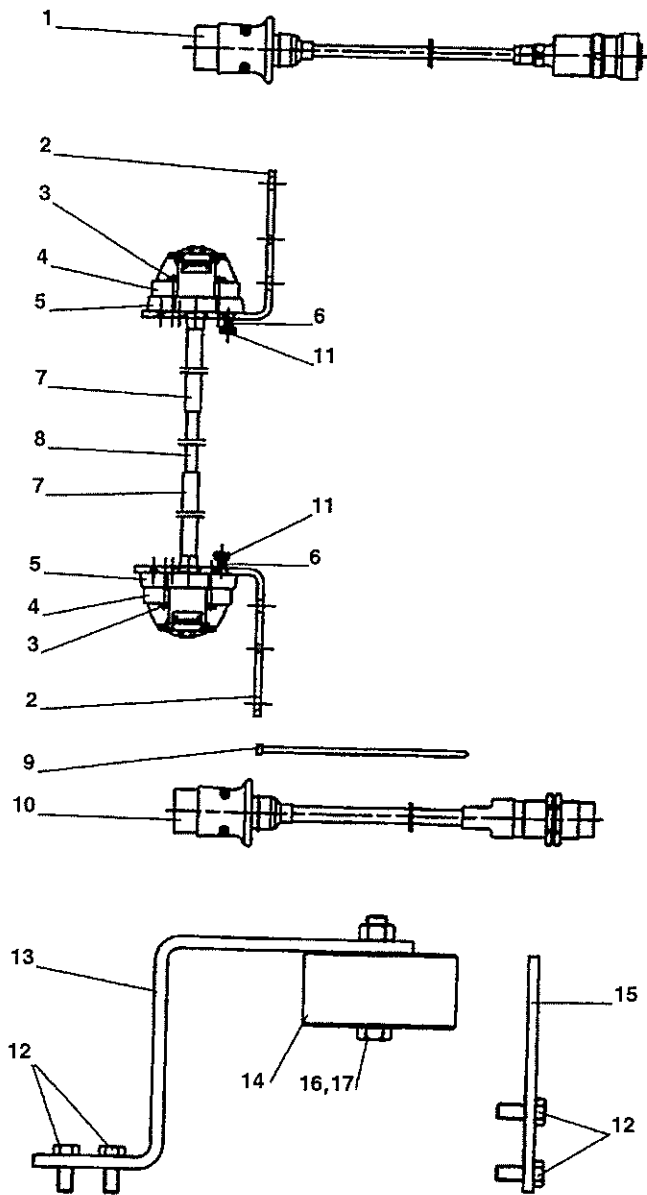
3940878

DRAW ARM- - HSRT, HSRS

27

Item	Part Number	Description	Comments HSRT, HSRS
	1659595251	DRAW ARM	
2	3941944M1	PIN, HAIR, LONG	
3	339193X1	Pin	
4	3941939M1	Armrest	
5	3941948M1	Armrest	
6	3941868M1	Eye Bolt	RIGHT
7	3940605M1	LOCK NUT	
8	3941867M1	Eye Bolt	RIGHT
9	3941865M1	PIVOT PIN	
10	339020X1	Bolt Metric	
11	3941938M1	BRACKET	
12	3941937M1	PLATE,LUBRICAT	
13	3941859M1	SPRING-MOUNTED	
14	3941936M1	Rod	
15	3941864M1	PIVOT PIN	
16	339052X1	Pin	TENSION
17	3942268M1	GREASE NIPPLE	
18	3941943M1	CATCH COMPL.	
19	3941942M1	BRACKET	
20	3940226M1	PIVOT PIN	
21	3941947M1	SPACER WASHER	
22	3942138M1	PIVOT PIN	
23	1442142X1	Dowel	
24	3942139M1	Axle Bridge	
26	3941860M1	SPRING	
27	3941733M91	HYD. CYLINDER	[A] PAG. 17
28	339096X1	Bolt Metric	
29	3941732M1	CLAMP	
30	3940472M1	COVERING PLATE	
31	3941956M1	UNION	
32	3940506M1	Filter	
33	3941737M1	Elbow Union	
34	3940589M1	Union	
35	3940231M1	QUICK COUPLING M	
36	3940639M1	Union	
39	3942450M1	HOSE, INJECT	
41	3942451M1	HOSE, INJECT	
42	3940364M1	BOLT	
43	3940367M1	FRICITION SPRING	

[A]
SEE REAR WHEEL CYL. / DRAW ARM PAGE



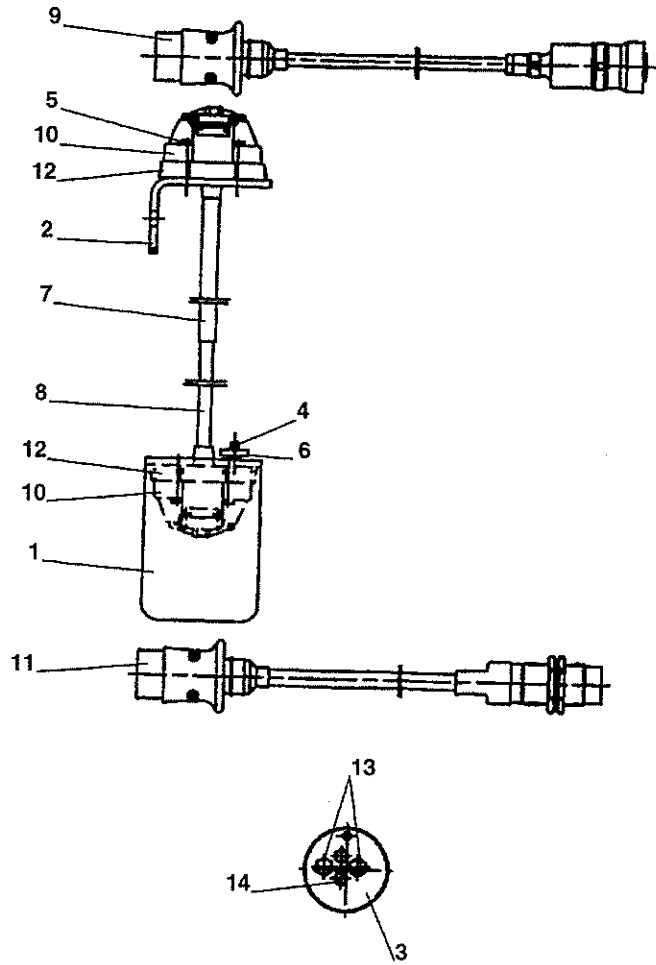
221

MASSEY FERGUSON**MF 725 MOULDBOARD PLOUGH - 3940878**

3940878

DUAL CONTROL- - SRT, SRS**28**

Item	Part Number	Description	Comments
	1659612550	DUAL CONTL. SET	
1	3942202M1	ELEC.CBL FRNT	
2	3942173M1	BRACKET	REAR
3	1441965X1	BOLT	
4	3942167M1	CONTACT BOX	
5	3942205M1	Guard	
6	1441267X1	Screw Metric	
7	3942206M1	CABLE CONDUIT	
8	3942207M1	CABLE	
9	3942163M1	EXTENDER	
10	3942201M1	Sensor	
11	339030X1	Nut Metric	
12	3941083M1	BOLT	
13	3942200M1	EXENTER BRCKT	BRACKET
14	3942171M1	EXENTER	
15	3942198M1	SENSOR PLATE	
16	3940833M1	BOLT	
17	339034X1	Nut Metric	



222

MASSEY FERGUSON**MF 725 MOULDBOARD PLOUGH - 3940878**

3940878

DUAL CONTROL- - HSRT, HSRS**29**

Item	Part Number	Description	Comments
	1659582150	DUAL CNTRL ST	HSRT, HSRS
1	3942173M1	BRACKET	REAR
2	3942195M1	BRACKET	FRONT
3	3942171M1	EXENTER	
4	1441267X1	Screw Metric	
5	1441965X1	BOLT	
6	3942199M1	WASHER	
7	3942197M1	CABLE	CONDUIT
8	3942196M1	CABLE	
9	3942202M1	ELEC.CBL FRNT	
10	3942167M1	CONTACT BOX	BOX
11	3942201M1	Sensor	
12	3942205M1	Guard	
13	3940833M1	BOLT	
14	391885X1	Bolt Metric	