

LIQUID SPRAYERS



PARTS CATALOG

SPRA-COUCPE
4640-80EUR AT SPRA-COUCPE (1999-2003)

WR128533

December 2004

How to use this Parts Book

Parts Ordering Guide:

1. Give the Serial Number of your Chassis or System when ordering.
2. Use the part number and description when ordering parts.
3. Give the Assembly Title if needed.
4. Give the P/N number and date for the Parts Book if needed.

Parts List Abbreviations

NSS Not Sold Separately
 AR As Required, usually for a lubricant or adhesive
 REF Reference - Part called out on a different page.
 NS Not shown in illustration
 R/B Replaced by another number
 ASM assembly page

Notice:

Every effort has been made to ensure the accuracy of the information in this book. However, because of design changes that can occur since this book was published, it is possible that some illustrations and part numbers can be different than on your machine. The technical information in this book was correct at the time this book was approved for publication.

CHASSIS ASM-AIR SYSTEM

ITEM	PART #	QTY	DESCRIPTION	COMMENTS
1	WR29555	1	ADAPTER-BULKHEAD-.04FP	
2	WR29671	1	COUPLER-OD, 1/4 NPTF	
3	WR29687	2	HOSE END-10FJK-10 HOSE	
4	WR29688	-	HOSE-TEFLON,-10, SS BRAID [BULK: 15.167 FT]	
5	WR124583	1	ELBOW 90D 0.62M/JIC X M22X1.5	
6	WR124584	1	VLV INSTL-AIR HGT CONT,8650	
7	WR124592	1	AIR CHUCK HOSE ASM	SEE PAGE 7-2
8	WR239945	1	HOSE ASM -8X66.00 FJS/FJS90	
9	WR511005	1	GOVERNOR AIR	[A]
10	WR514288	-	TUBING 0.37 OD NYLON(015669) [BULK: 1.917 FT]	
11	WR516481	1	CONNECTOR M 0.38X0.25NPT AUTLK	
12	WR516614	4	BAND MOUNTING 8.00"	
13	WR517938	1	ADPTR STR M22-1.5 OR X0.37FNPT	
14	WR518415	2	ELBOW 90D 0.25TUBE X0.37 NPT	
15	WR518421	1	COUPLING .25 AIR QUICK METAL	
16	WR518622	-	TUBING AIRLINE 0.25OD POLTHN [BULK: 31.167 FT]	
17	WR520642	2	RESERVOIR-AIR,HOMOLOGATION	
18	WR520922	1	ADAPT STR-.75-16M/JIC 22-1.5	
19	WR520923	1	ELBOW-90D,.75-16M/JIC 22-1.5	
20	WR550205	8	WASHER LK 0.31 ZN REG	
21	WR550213	8	NUT 0.31-18NC HEX ZN REG	
22	WR551252	8	BOLT 0.31-18NCX 1.00 G5 ZN HHD	
23	WR555290	1	NIPPLE 0.37NPTX 1.00CLS WR ST	
24	WR556580	1	TEE 0.37NPT PIPE MAL IR PL	
25	WR560878	1	ADAP STR 0.25MNPT X 0.25MNPT	
26	WR561679	2	WASHER LOCK M8 ZN	
27	WR604110	1	GASKET AIR GOV BENDIX	
28	WR609681	2	DRAIN VALVE	
29	WR609682	2	THRUST RING M-22	
30	WR609683	2	O RING M-22	
31	WR609797	1	PLUG METRIC 22-1.5 ZN	
32	WR609798	1	WASHER METRIC 22 ZN	
33	WR717376	2	BOLT-M8-1.25X75,HHD	
	FOOTNOTE [A]		FOR REPLACEMENT BREATHER VALVE USE WR702187	

Assembly Title, refer to Table of Contents

Assembly Reference, see referenced page

SEE PAGE 7-2

Footnote Reference, see notes below.

Footnote Reference

Footnote description

Assembly Page #, refer to Table of Contents

Part Book Section, refer to Table of Contents

Part Book Title, refer to Part Book Cover

TABLE OF CONTENTS

4640-80EUR AT SPRA-COUCPE (1999-2003)

SECTION 1 - MAIN FRAME

6801801	FRAME GROUP-4640,SC	1-1
6801809	FOOTBOARD GROUP-SC	1-2
6803933	WIDE FRONT GROUP-SC	1-3
6595398	FRAME ASSY	1-4

SECTION 2 - DRIVE TRAIN

6618445	STEERING GRP-WF,80 IN	2-1
WR39078	TIE ROD ASM-340-80	2-2
6626257	AXLE GROUP-ADJ	2-3
6802599	CHAINCASE GROUP-SC	2-4
6803541	HUB ASSY-WHEEL	2-5
6802616	BRAKE GROUP-POWER,4640	2-6
WR55922	BRAKE ASSY,LH	2-7
WR55923	BRAKE ASSY,RH	2-8
6669627	VALVE-MODULATING	2-9
6800721	CYLINDER ASSY-BRAKE	2-10
6801637	PEDAL ASSY-BRAKE	2-11
6802732	SHIFT GROUP-AUTO,SC	2-12
WR55811	CONTROL-SHIFT,A/T	2-13
6802754	DRIVE TRAIN GROUP	2-14
WR55933	SHAFT-DRIVE 80-108 HD	2-15
6672331	(REPLACED BY WR55933)	2-16
6672337	DIFFERENTIAL ASSY	2-17
6802747	SHAFT-DRIVE,AUTO	2-18
6803823	THROTTLE GROUP-4000,SC	2-19
6672201	THROTTLE ASSY-HAND	2-20
6618552	TIRE ASM-9X24 W/24 X W8,	2-21
6802728	TIRE ASM-12.4X24 W/24X10	2-22
6802729	TIRE ASM-12.4X24 W/24X10	2-23
6800091	TIRE ASM-7.5X24 W/24XW7,	2-24
6800094	TIRE ASSY-9.5X32 W/32XW8,	2-25
6800095	TIRE ASM-9.5X32 /W32XW8,	2-26

SECTION 3 - HYDRAULIC SYSTEM

WR37559	HYDRAULIC GROUP-CHASSIS,	3-1
WR37386	VALVE ASSY-CONTROL	3-2
WR26528	VALVE-CHECK,CV08200N25	3-3
WR122403	CYLINDER-HYD,2.00X20.00X1.00	3-4
WR122414	CYLINDER-HYD,2.00X20.00X1.00	3-5
WR122423	CYLINDER-HYD,1.75X6.19X1.00	3-6
WR122424	CYLINDER-HYD,1.75X16.84X1.00	3-7
6664973	VALVE-FLOAT,2 POSITION	3-8
6667346	VALVE-STEERING	3-9
6668855	PUMP-HYD	3-10
6801744	TANK ASSY-HYD	3-11
WR37809	HYD INSTL - H FRM	3-12
WR37388	VALVE ASSY-6 SPOOL	3-13
WR122415	CYLINDER-HYD,2.00X4.00X1.00	3-14

TABLE OF CONTENTS

4640-80EUR AT SPRA-COUCPE (1999-2003)

WR129450	CYLINDER-HYD,2.00X8.44X1.00	3-15
WR37808	HYD INSTL-KIT NO H FRM	3-16
WR122409	CYLINDER-HYD,1.50X8.38X.75	3-17

SECTION 4 - CHASSIS AND BOOM

WR37564	BOOM LIFT GROUP	4-1
WR55511	KIT-RADIO,SC,EUROPE	4-2
6597917	ENG SUPPORT GROUP-PERKINS	4-3
6703507	ARM ASSY-PULLEY	4-4
6597921	ENG COVER GROUP-WF SC	4-5
6668716	AIR CONDITIONER-KIT	4-6
6661067	BLOWER-KIT	4-7
6661411	TRANSMISSION ASSY	4-8
6653399	SEAT-SUSPENSION	4-9
6618451	FRESH WATER GROUP-SC	4-10
6628149	EXHAUST GROUP-PERKINS,SC	4-11
6669015	HEATER-KIT	4-12
6801805	FUEL GROUP-PERKINS,SC	4-13
6801835	TANK ASSY	4-14
6802347	COOLING GROUP-SC	4-15
6802349	FILTER AIR GROUP-SC	4-16
6802629	CAB GROUP-4000 MT	4-17
6804644	BAG-PARTS	4-18

SECTION 5 - SPRAY SYSTEM

WR37560	SPRAY SYS-GROUP,CHASSIS	5-1
6596121	STRAINER-MANIFOLD	5-2
6618341	VALVE ASSY	5-3
6626524	MANIFOLD ASSY-SPRAY	5-4
6632184	VALVE-PRESSURE,CONTROL	5-5
6626530	CLUTCH ASSY	5-6
6668810	PUMP-SPRAY	5-7
6801836	TANK ASSY-SPRAY	5-8
6802436	VALVE ASSY-INLET	5-9
WR50914	VALVE-BALL,2 IN FP,W/CAM	5-10
6670750	FILTER-INLINE	5-11
WR37807	SPRAY SYS GROUP-"H" FRAME	5-12
WR55856	VALVE ASSY-KZ, 5 SECTION,	5-13
WR37810	REAR "H" FRAME GROUP	5-14
WR37482	VALVE-RELIEF;ASSY BOOM	5-15
6596508	NOZZLE ASSY-SINGLE	5-16
6596509	NOZZLE ASSY-DOUBLE	5-17
6665873	FILTER ASSY-BOOM	5-18
WR55861	VALVE ASSY-BOOM SHUT OFF,	5-19
6662704	`KG-3600WF RAVEN MNT	5-20
WR37479	HYD GROUP-HYD FOLD	5-21
WR37502	SPRAY SYSTEM ASSY-3 VALVE	5-22
WR37518	BOOM GROUP-60 FT HYD FOLD	5-23
WR37522	BOOM ASSY-RH,60' HYD	5-24
WR37520	BOOM ASSY-RH	5-25
WR38719	LINK ASSY-WING FOLD,INNER	5-26
WR38720	LINK ASSY-WING FOLD,OUTER	5-27

TABLE OF CONTENTS

4640-80EUR AT SPRA-COUCPE (1999-2003)

WR37523	BOOM ASSY-LH,60' HYD	5-28
WR37521	BOOM ASSY-LH	5-29
WR37579	CAB ELECTRICAL GROUP	5-30
6802351	MANIFOLD GROUP-20 IN ,SC	5-31
WR37476	TILT RACK ASSEMBLY	5-32
WR37776	TUBE ASSY-RACK TILT	5-33
WR37484	MANIFOLD GROUP-20, 80'	5-34
WR37503	SPRAY SYSTEM ASSY-5 VALVE	5-35
WR37519	BOOM GROUP-80' HYD FOLD	5-36
WR37489	BOOM ASSY-RH,80' HYD	5-37
WR37491	BOOM ASSY-RH	5-38
WR37490	BOOM ASSY-LH,80' HYD	5-39
WR37492	BOOM ASSY-LH	5-40
WR425564	KIT-LOOSE PARTS,BOOM HINGE	5-41
WR425565	SPRAY INSTL-CTR MANIFOLD	5-42
WR425566	SPRAY SYSTEM GRP	5-43
WR425567	SPRAY INSTL-LOOSE PARTS KIT	5-44
WR01801	OPT-FIELDSTAR,WF,3VLV	5-45
WR01802	OPT-FIELDSTAR,WF,5VLV	5-46
WR01803	OPT-FIELDSTAR,WF,3VLV,W/O	5-47
WR01804	OPT-FIELDSTAR,WF,5VLV,W/O	5-48
WR01809	OPT-GPS RECEIVER,5HZ,SC	5-49
WR37879	INSTL-FIELDSTAR, CTRLT, S/C	5-50
WR37871	VALVE ASSY-BOOM SHUT OFF	5-51
WR37874	VALVE ASSY-KZ,5 SECTION,	5-52
WR01810	OPT-LIGHTBAR,SPRA-COUCPE	5-53
WR55864	VALVE ASSY-BOOM SHUT OFF,	5-54
WR55858	VALVE ASSY-KZ, 3 SECTION,	5-55
WR56032	CONTROLLER RAVEN PACKAGE	5-56
6665214	GAUGE-FLOW	5-57
WR132508	NOZZLE ASM-SINGLE	5-58
WR132509	NOZZLE ASM-DOUBLE	5-59

SECTION 6 - POWER UNIT

6670633	ENGINE-PERKINS	6-1
6672270	SHORT ENGINE	6-2
WR128133	CYLINDER BLOCK KIT	6-3
WR128134	REAR OIL SEAL ASSEMBLY	6-4
4223429M1	CYLINDER HEAD KIT	6-5
4222823M91	ROCKER SHAFT ASSEMBLY	6-6
WR128135	TIMING GEAR & CAMSHAFT ASSY	6-7
WR128136	OIL PUMP & HOUSING ASSEMBLY	6-8
WR128137	CRANKSHAFT/ROD & PISTON ASSY	6-9
WR128138	CONROD KIT	6-10
WR128139	CONROD KIT	6-11
WR128140	FUEL INJECTION EQUIPMENT	6-12
WR128141	FUEL INJECTION EQUIPMENT	6-13
WR128142	FLYWHEEL HOUSING ASSEMBLY	6-14
WR128143	FAN DRIVE ASSEMBLY	6-15
WR128144	OIL SUMP ASSEMBLY	6-16
WR128145	OIL FILTER ASSEMBLY	6-17
WR128146	OIL BREATHER ASSEMBLY	6-18
WR128147	VALVE COVER/BREATHER HOSE ASSY	6-19
WR128148	OIL FILTER & COOLER ASSEMBLY	6-20

TABLE OF CONTENTS

4640-80EUR AT SPRA-COUCPE (1999-2003)

WR128149	OIL FILTER & COOLER ASSEMBLY	6-21
WR128150	FRONT END DRIVE INPUT	6-22
WR128151	COOLING ASSEMBLY	6-23
WR128152	WATER PUMP	6-24
WR128153	THERMOSTAT HOUSING ASSEMBLY	6-25
WR128154	WATER OUTLET & INLET	6-26
WR128155	FAN & EXTENSION ASSEMBLY	6-27
WR128156	ALTERNATOR & GENERATOR INSTL	6-28
WR128157	AUXILLARY DRIVE OPTION	6-29
WR128158	TURBOCHARGER ASSEMBLY	6-30
WR128159	TURBO MANIFOLD & COOLER ASM	6-31
WR128160	TURBO MANIFOLD & COOLER ASM	6-32
WR128161	TURBO/ACTUATOR ASM	6-33
WR128162	REMOTE AIR CHARGE COOLER	6-34
4224451M91	LIFT PUMP	6-35
WR128163	FUEL FILTER INSTL	6-36
WR128164	LOW PRESSURE FUEL SYSTEM	6-37
6670995	FUEL FILTER ASSEMBLY	6-38
WR128165	COLD START SYSTEM	6-39
WR128166	ENGINE LIFTING PLATE INSTL	6-40
WR128167	MOUNTINGS FRONT & REAR	6-41
WR128168	HEATER/STARTER SWITCH	6-42
WR128169	OIL PRESSURE SWITCH & GAUGE	6-43
WR128170	TEMP GAUGE & SENDER	6-44
WR128171	RADIATOR & COOLING FITTING ASM	6-45
WR128172	FUEL RE-LIFT PUMP INSTL	6-46
6671003	FILTER	6-47
WR128173	MISCELLANEOUS & AUXILLARIES	6-48
4222864M91	TOP JOINT & GASKET KIT	6-49
6802594	ENGINE GROUP-PERKINS	6-50
6665654	MOTOR-STARTER	6-51

SECTION 7 - ELECTRICAL SYSTEMS

6802170	ELECTRICAL GROUP-SC	7-1
6672497	KIT-MOTOR,WIPER	7-2

SECTION 8 - ACCESSORIES

WR38799	KIT-GPS ANTENNA MOUNT,SC	8-1
WR55875	F/A-MARKER,RSC 2130	8-2
WR55879	FILTER ASSY-CARBON	8-3
WR55888	RSC FOAMHEAD/VALVE ASSY	8-4
WR55904	DEFLECTOR-COLLECTOR, 2 IN	8-5
WR55908	TANK ASSY,13 GAL RSC2130	8-6
WR55910	CAP-ASSY, 2 1/4 IN	8-7
WR55916	PACKAGE-MOUNTING	8-8
WR55917	PACKAGE-MOUNTING,	8-9
WR55918	PACKAGE-MOUNTING,	8-10
6631680	COMPRESSOR-FOAM MARKER	8-11
6660391	FILTER ASSY, INCLINE	8-12
WR132886	MODULE, CONTROL	8-13
6596156	F/A-DRIVESHAFT EXTENSION	8-14
6624992	NOZZLE ASSY-DROP	8-15

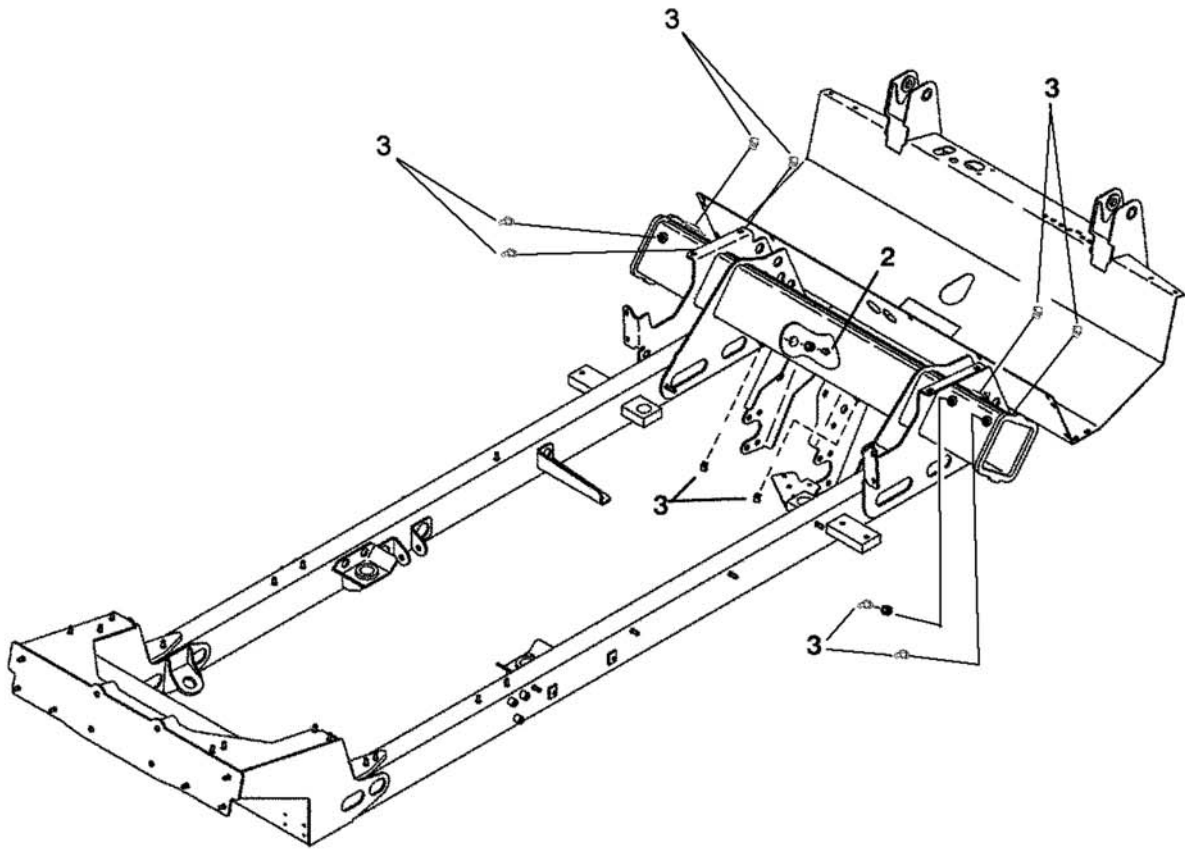
TABLE OF CONTENTS

4640-80EUR AT SPRA-COUCPE (1999-2003)

6624973	KIT-OVERSPRAY	8-16
6626949	F/A-FRONT EXTENSION,SC	8-17
6627373	F/A-CROP DEFLECTOR,WF,	8-18
6597223	STEERING ASSY-ARM	8-19
6627794	F/A-BELLY PAN,WF	8-20
6669692	HITCH-INSTL	8-21
6803919	F/A-FLOOD LIGHT,SC	8-22
7001736	OPT-BELLY PAN W/F,FACTORY	8-23

SECTION 9 - DECAL AND WARNING SIGN

6802168	FINAL ASSY GROUP-4640WF	9-1
---------	-------------------------	-----

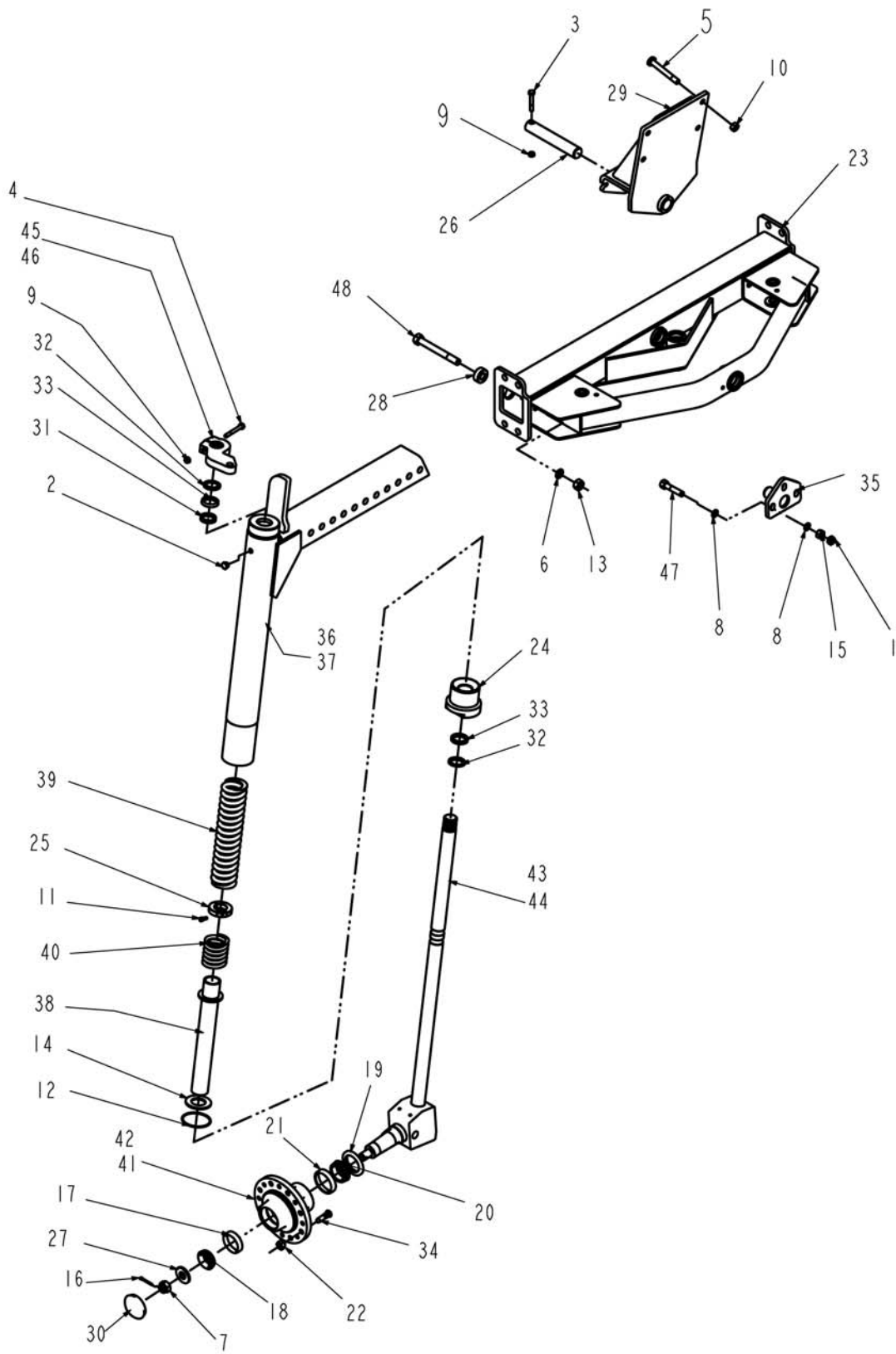


6801801 - FRAME GROUP-4640,SC

ITEM	PART #	QTY	DESCRIPTION	COMMENTS
0	6801802	-	INSTL-FRAME	
1	6801799	1	FRAME-W/A,4440/4640-80	
2	WR550280	2	FITTING LUB.12-27NPTFX0.68	
3	WR559083	10	FITTING LUB 90D 0.125 NPTF	

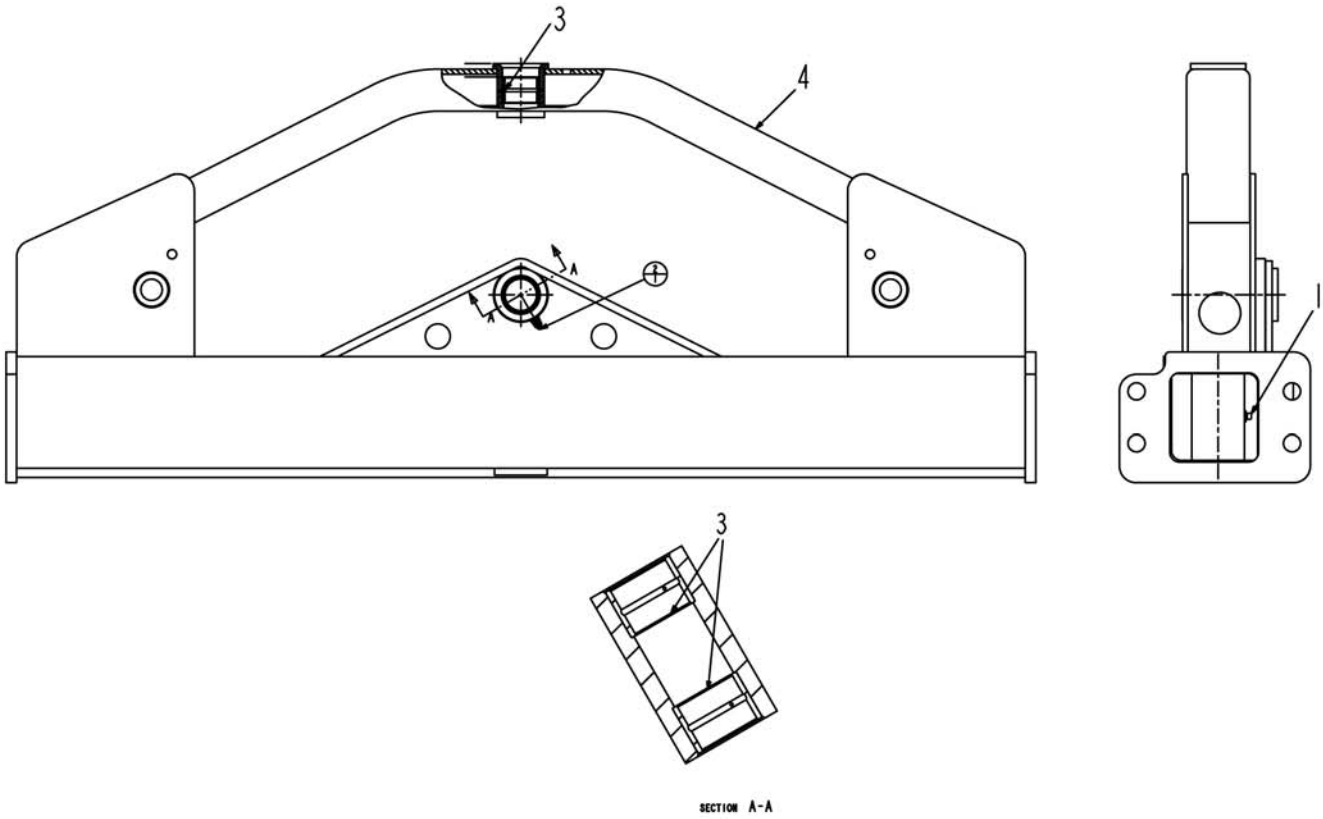
6801809 - FOOTBOARD GROUP-SC

ITEM	PART #	QTY	DESCRIPTION	COMMENTS
0	6801810	-	INSTL-FOOTBOARD	
1	6537416	4	COVER-HOSE	
2	6577754	2	DECAL-WARNING	
3	WR553557	4	TIE CABLE 7.37 .06-1.37 BLACK	
4	6617897	2	CHAIN	
5	6801571	1	PAD-RUBBER	
6	6627859	1	STEP-W/A	
7	6801521	1	MOUNT	
8	6802504	1	FOOTBOARD-LH	
9	6588293	4	BUSHING	
10	6801829	1	SUPPORT-TOP	
11	6803702	1	SUPPORT-W/A,LH	
12	6669323	2	SPRING-GAS	
13	6803703	1	SUPPORT-W/A,RH	
14	WR55843	1	FOOTBOARD-RH	
16	6626327	2	LINK-CONNECTOR	
17	6626498	8	SPACER	
18	6801850	1	BRACKET-W/A,RH	
19	6801849	1	BRACKET-W/A,LH	
20	6801823	1	COVER-TANK	
21	6801824	1	COVER-TANK	
22	6801825	1	PLATE-SIDE LH	
23	6801826	1	PLATE-SIDE RH	
24	6800749	1	BUSHING-W/A	
25	6626353	2	HOSE-LH	
26	6626623	2	HOSE	
29	WR55210	2	SCREW-HEX FLG,M8X1.25X50 CL8.8	
30	WR55141	8	WASHER-STL,8MM ID	
31	WR562375	8	BOLT M12-1.75X 25MM G8.8 ZN HH	
32	WR55063	4	SCREW-CAP HEX M12 X 130	
33	WR55173	2	BOLT-CARRIAGE,M10 X 25,	
34	WR55281	8	NUT-FLANGE,M10 X 1.5	
35	WR55191	50	HEX HEAD,THREAD ROLLING SCREW	
36	WR561892	1	FITTING LUBE STR 0.25UNF	
37	WR55402	1	PIN-STR COILED,3/8 X	
38	WR55158	10	WASHER-FLAT,10MM ID,	
39	WR55280	2	NUT-FLANGE,M8 X 1.25	
40	WR55106	10	WASHER-LOCK SPRING,10 MM	
41	WR50838	10	NUT-HEX,METRIC M10-1.5	
42	WR55214	8	SCREW-HEX FLG,M10X1.5X20 CL8.8	
43	WR562272	8	WASHER M12 LK ZN REG	



6803933 - WIDE FRONT GROUP-SC

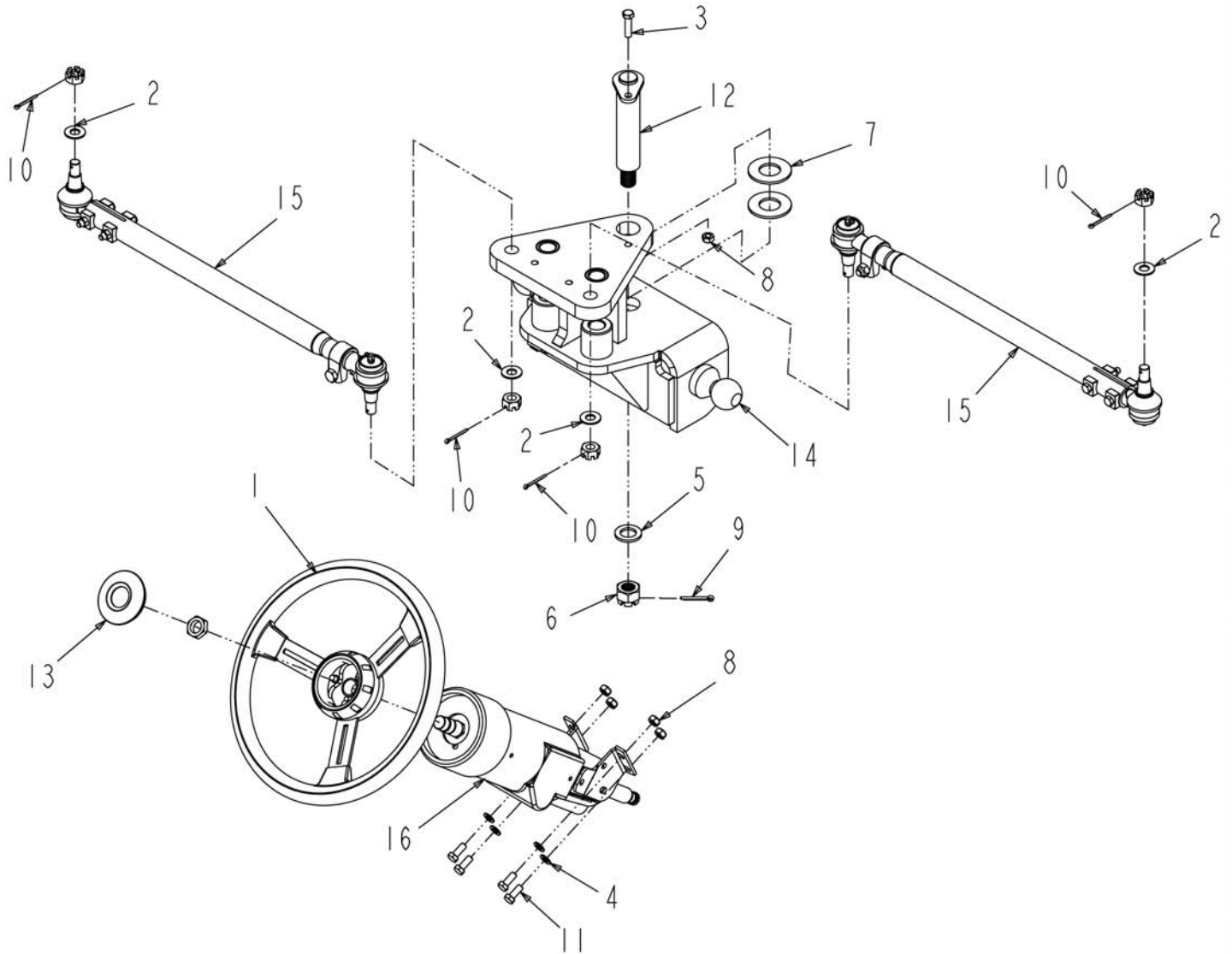
ITEM	PART #	QTY	DESCRIPTION	COMMENTS
1	WR11536	3	NUT-JAM, 5/8-18UNF G5 MIN	
2	WR13089	2	PLUG-HEX HEAD,.38 NPT SS	
3	WR55051	1	SCREW-CAP HEX M10 X 70	
4	WR55053	2	SCREW-CAP HEX M10 X 90	
5	WR55067	4	SCREW-CAP HEX M16 X 120	
6	WR55078	4	WASHER-PLAIN,20MM ID,LC,	
7	WR55099	2	NUT-CASTLE,1-14UNF	
8	WR55164	6	WASHER-FLAT HRD,16 MM ID	
9	WR55272	5	NUT-LOCK,M10 X 1.5,PREV	
10	WR55274	4	NUT-LOCK,M16 X 1.5,PREV	
11	WR55340	4	SCREW-CAP SOCK 5/16 NF X	
12	WR55447	2	O RING-3.500 ID X .139 CS	
13	WR120510	4	NUT,M20X2.5,HEX LKNYC8 YZN	
14	WR125694	2	BUSHING-SPINDLE,FRONT	
15	WR551937	3	NUT 0.62-18NF HEX ZN REG (D)	
16	WR559768	2	PIN COTTER 0.18X1.75 ZN	
17	6511330	2	BEARING-CUP	
18	6511331	2	BEARING-CONE	
19	6513441	2	SEAL	
20	6519925	2	BEARING-CONE	
21	6519926	2	BEARING-CUP	
22	6564669	16	NUT-WHEEL	
23	6595398	1	FRAME ASSY	SEE PAGE 1-4
24	6618540	2	HEAD	
25	6618542	2	COLLAR-CLAMPING	
26	6618562	1	PIN	
27	6626165	2	WASHER	
28	6626213	4	SPACER	
29	6627316	1	BRACKET-W/A	
30	6656492	2	CAP-CHAINCASE	
31	6658256	2	RING-WEAR	
32	6666544	4	ROD-WIPER	
33	6667327	4	ROD-SEAL	
34	6709170	16	BOLT-WHEEL	
35	6800710	1	BRACKET-W/A	
36	6801194	1	AXLE WLDMT-WF 80 IN RH	
37	6801195	1	AXLE WLDMT-WF 80 IN ,LH	
38	6801738	2	SPACER-W/A	
39	6802195	2	SPRING	
40	6802196	2	SPRING	
41	6803787	1	HUB-MACH,LH	
42	6803788	1	HUB-MACH,RH	
43	6803930	1	SHAFT-W/A,RH	
44	6803931	1	SHAFT-W/A,LH	
45	WR39076	1	ARM-STEERING,LH	
46	WR39077	1	ARM-STEERING,RH	
47	WR55647	3	SCREW-HEX 5/8X18UNFX4 GR8	
48	WR55968	4	SCREW HEX 20 X 170 GR8.8	



6595398 - FRAME ASSY

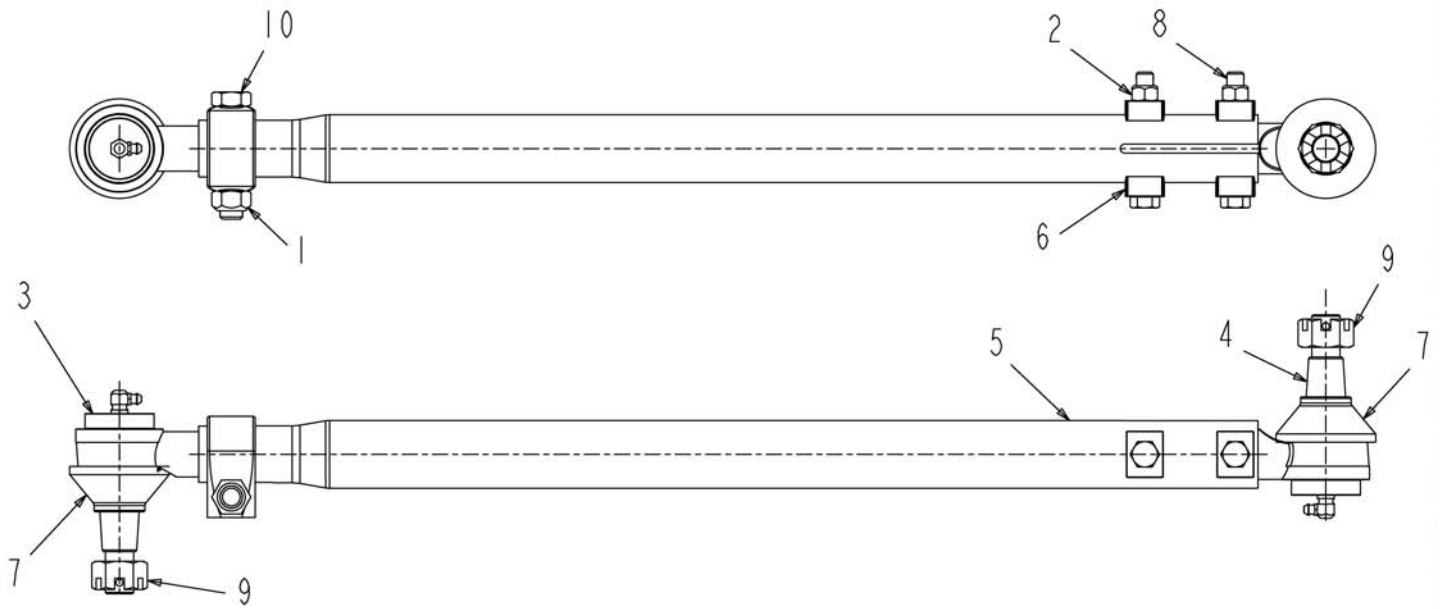
ITEM	PART #	QTY	DESCRIPTION	COMMENTS
1	WR550280	2	FITTING LUB.12-27NPTFX0.68	
2	WR562551	1	ZERK 45D 0.125 NPT	
3	WR711273	3	PORRINGTON NEEDLE BEARING	
4	6595399	1	FRAME-W/A	

6618445 - STEERING GRP-WF,80 IN



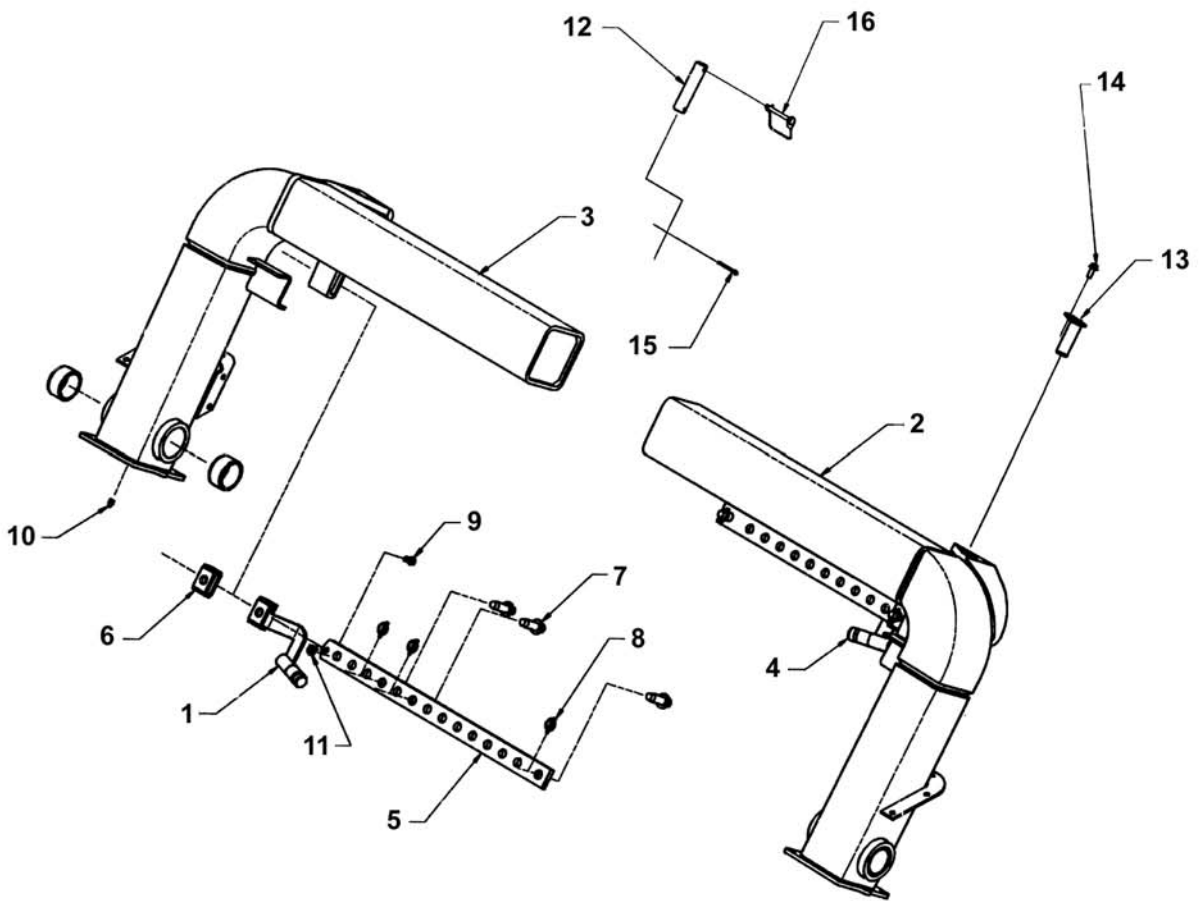
6618445 - STEERING GRP-WF,80 IN

ITEM	PART #	QTY	DESCRIPTION	COMMENTS
1	WR28944	1	STEERING WHEEL-#1634D3P	
2	WR50857	4	WASHER-FLAT,HRD 5/8	
3	WR55047	1	SCREW-CAP HEX M10 X 40	
4	WR55075	4	WASHER-PLAIN,10MM ID,LC,	
5	WR55079	1	WASHER-PLAIN,24MM ID,LC,	
6	WR55168	1	NUT-CASTLE,24MM X 3.00	
7	WR55198	2	WASHER-PLAIN HRD,1 3/8 ID	
8	WR55272	5	NUT-LOCK,M10 X 1.5,PREV	
9	WR55400	1	PIN-COTTER,5MM X 40MM	
10	WR553972	4	PIN COTTER 0.15X1.50 ZN	
11	WR561683	4	BOLT M10-1.5 X 25MM G8.8 ZN HH	
12	6597793	1	SHAFT W/A	
13	6660827	1	BUTTON-HORN	
14	WR39074	1	PLATE-W/A,STEERING	
15	WR39078	2	TIE ROD ASM-340-80	SEE PAGE 2-2
16	WR55654	1	STEERING COLUMN#9203218-C	



WR39078 - TIE ROD ASM-340-80

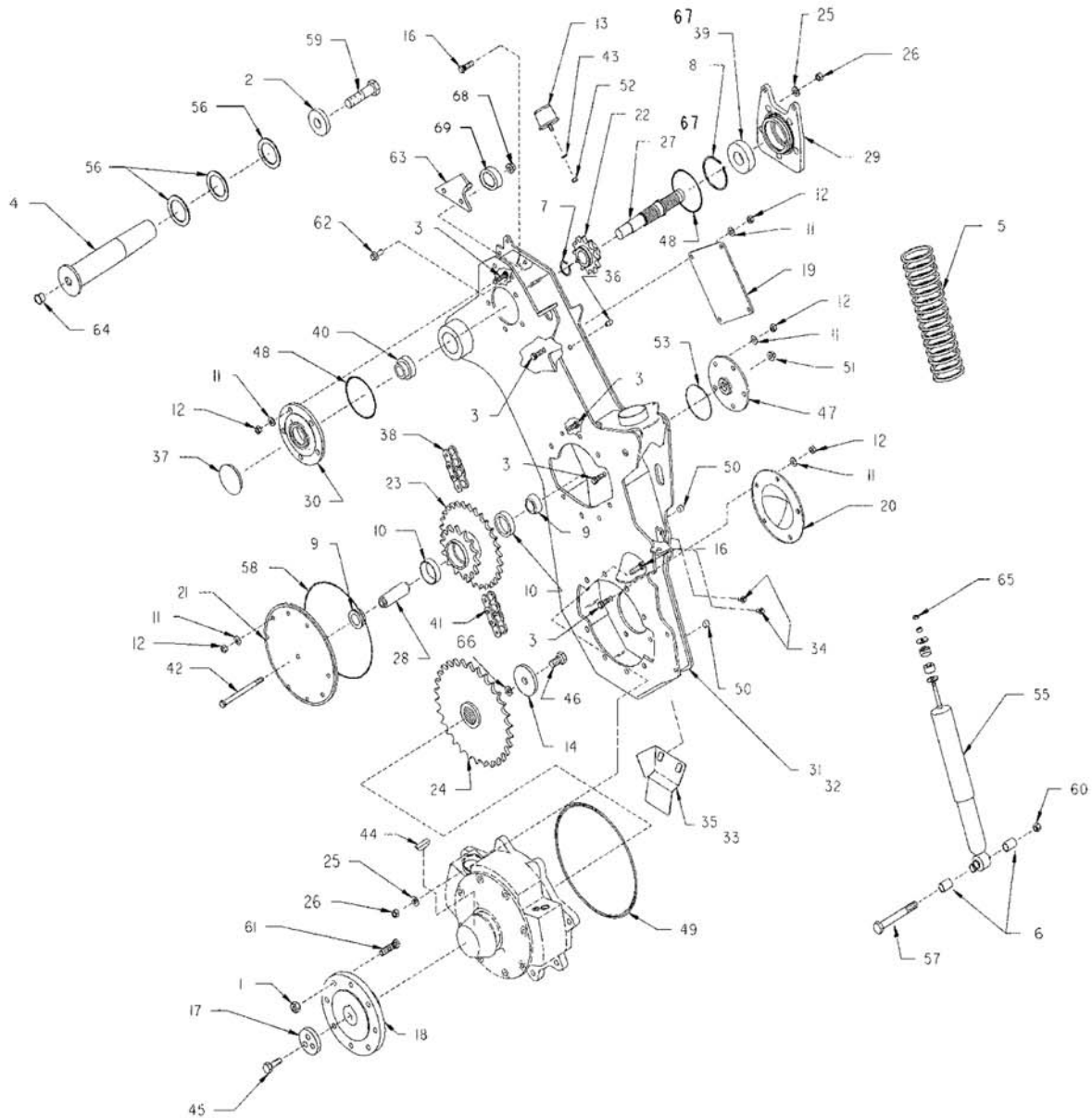
ITEM	PART #	QTY	DESCRIPTION	COMMENTS
1	WR55354	1	NUT-TOPLOCK, 1/2-13UNC G8	
2	WR55362	2	NUT-TOPLOCK, 3/8-24UNF G8	
3	WR124890	1	ROD END-THREADED	
4	WR124891	1	ROD SLIDING	
5	WR124894	1	TUBE & CLAMP 23.40 IN	
6	WR124898	4	CLAMP-TIE ROD	
7	WR129279	2	BOOT-GREASE	
8	WR129280	2	BOLT-HEX 3/8-24UNFX2.75 GR8YZ	
9	WR129281	2	NUT-SLOTTED,5/8-18UNF	
10	WR553166	1	BOLT 0.50-13NCX 2.50 G5 ZN HHD	



6626257 - AXLE GROUP-ADJ

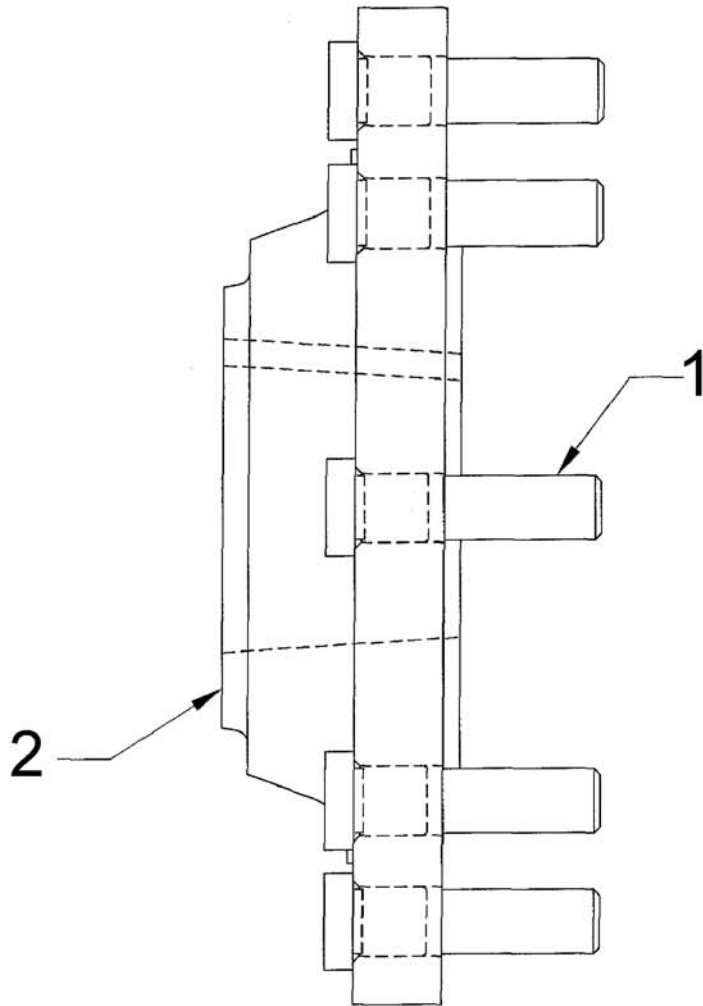
ITEM	PART #	QTY	DESCRIPTION	COMMENTS
0	6626258	-	INSTL-AXLE,ADJ	
1	WR55970	1	STOP W/A RH	
2	6627561	1	ADJ FRAME LH WLDMT	
3	6627562	1	ADJ FRAME RH WLDMT	
4	WR55969	1	STOP W/A LH	
5	6627540	2	LINK-AXLE,ADJ	
6	WR55971	2	STOP	
7	WR55974	6	PIN-CLEVIS	
8	6649706	6	PIN-LYNCH,3/16	
9	WR561683	2	BOLT M10-1.5 X 25MM G8.8 ZN HH	
10	WR550280	2	FITTING LUB.12-27NPTFX0.68	
11	WR55272	2	NUT-LOCK,M10 X 1.5,PREV	
12	6627461	2	PIN	
13	6627548	2	PIN-W/A	
14	WR55215	2	SCREW-HEX FLG,M10X1.5X25 CL8.8	
16	6510020	4	PIN-SNAPPER	

6802599 - CHAINCASE GROUP-SC



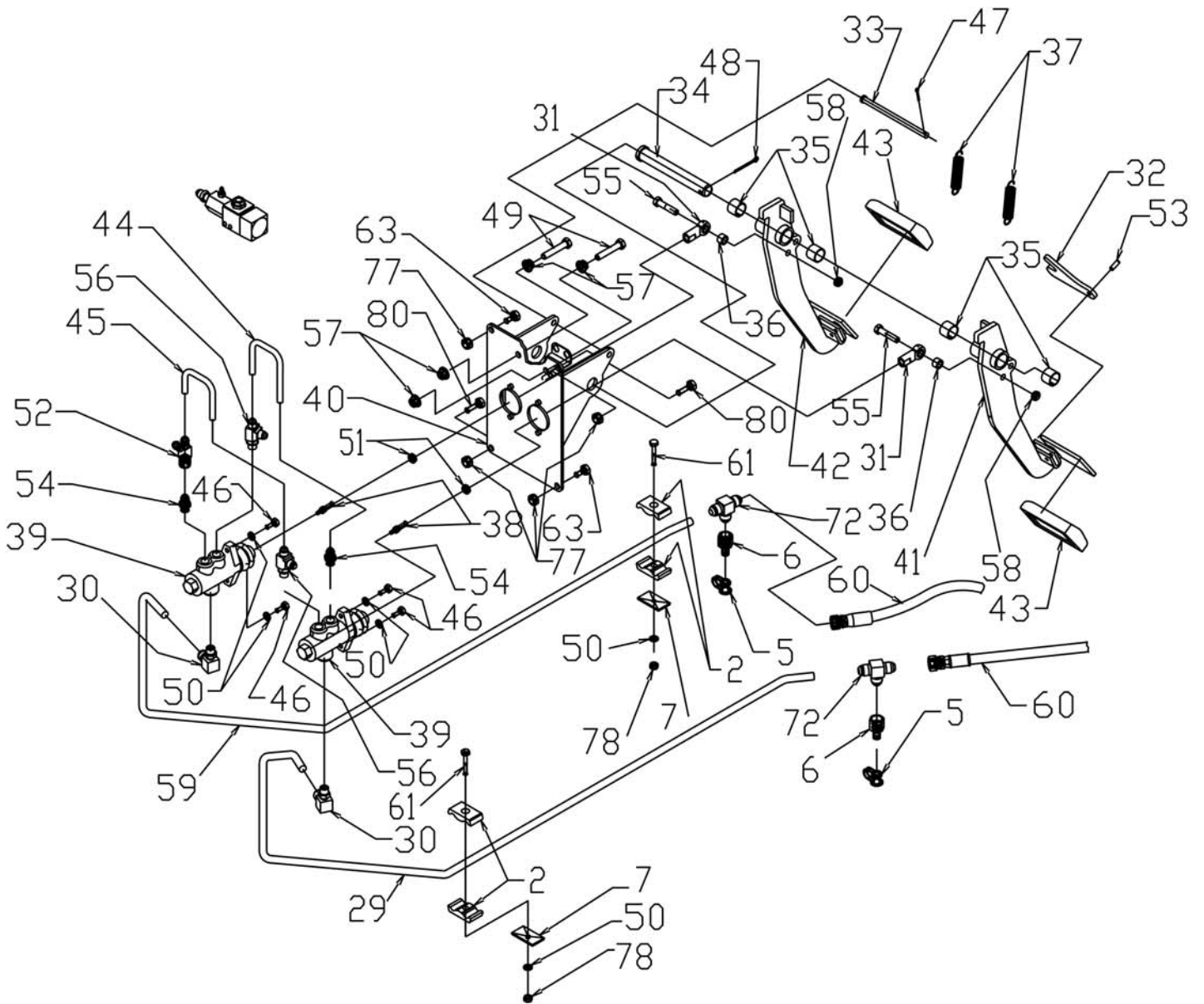
6802599 - CHAINCASE GROUP-SC

ITEM	PART #	QTY	DESCRIPTION	COMMENTS
0	6803541	2	HUB ASSY-WHEEL	SEE PAGE 2-5
0	6803111	2	SHAFT-INPUT	
0	6802606	-	INSTL-CHAINCASE	
0	WR55317	26	NUT-FLANGE HEX, G8	
0	WR120657	-	LOCTITE-680 HIGH STRENGTH RC	
1	6803542	16	NUT-WHEEL	
2	6569461	2	WASHER-AXLE	
3	6803572	54	BOLT-WHEEL	
4	6618620	2	SHAFT	
5	6802016	2	SPRING	
6	6802006	4	SPACER	
7	WR659764	2	RING-SNAP	
8	WR711022	2	RING-SNAP	
9	WR743773	4	BEARING-CONE	
10	WR743774	4	BEARING-CUP	
11	WR515782	54	WASHER 0.43 FL ZN REG G8	
12	WR11522	54	NUT-HEX, 7/16 - 20 UNF	
13	6530360	2	BUMPER-RUBBER	
14	WR55783	2	WASHER-AXLE SPROCKET	
16	6801208	26	BOLT-WHEEL	
17	6565947	2	CAP-SPROCKET,END AXLE	
19	6617316	2	COVER-UPPER	
20	6800404	2	COVER,LOWER	
21	6800398	2	SUPPORT-OUT JACKSHAFT	
22	6618845	2	SPROCKET-12 TOOTH	
23	6618850	2	SPROCKET ASSY-MACH	
24	6802468	2	SPROCKET-MACH	
25	WR561617	26	WASHER 0.50 FL ZN SAE TYPE-A	
26	WR55330	26	NUT-HEX,1/2-20UNF G8	
28	6618862	2	JACKSHAFT	
29	6802726	2	HOUSING-MACH	
30	6800405	2	HOUSING,MACHINED	
31	6800400	1	CHAINCASE-W/A,RH 4640-80	
32	6800401	1	CHAINCASE-W/A,LH 4640-80	
33	6801784	1	BRACKET-W/A,LH,OIL	
34	WR55206	4	SCREW-HEX FLG,M8X1.25X20 CL8.8	
35	6801785	1	BRACKET-W/A,RH,OIL	
36	6634761	2	VENT-AIR	
37	6656492	2	CAP-CHAINCASE	
38	6658413	2	CHAIN-ENDLESS	
39	6658752	2	BEARING	
40	6660460	2	BEARING	
41	6660468	2	CHAIN-ENDLESS	
42	WR55065	2	SCREW-CAP HEX M12 X 170	
43	WR550191	2	WASHER LK 0.37 ZN REG	
44	WR55394	2	KEY-WOODRUFF,2.75 X .594	
45	WR10193	6	SCREW-CAP HEX 5/8 NC X	
46	WR26541	2	SCREW-CAP HEX 3/4 NF X	
47	6617472	2	SUPPORT-JACKSHAFT	
48	WR55427	4	O RING-4.75 ID X .139 CS,	
49	WR55429	2	O RING-13.00 ID X .275 CS	
50	WR561081	4	PLUG PIPE .37 HEX SOC NPT STL	
51	WR55302	2	NUT-FLANGE,M12 X 1.5,PREV	
52	WR550825	2	NUT 0.37-16NC HEX ZN REG	
53	WR55426	2	O RING-3.875 ID	
55	6665007	2	SHOCK-DAMPENER	
56	6626218	4	WASHER	
57	WR522823	2	BOLT-.75-10NCX6.00,G5,PL,HHD	
58	WR55428	2	O RING-11.00 ID,	
59	WR55163	2	SCREW-CAP HEX 1-14UNS X 4 LG	
60	WR35152	2	NUT-TOPLOCK3/4-10UNC G8 "ADAM"	
62	WR122883	4	BOLT-.50-13X2.00,G8,ZN,HX FLG	
63	6800403	2	STOP-W/A	
64	6666641	2	PLUG-CAP	
65	WR55121	2	NUT-JAM, 3/8-24UNF G2	
66	WR55784	10	SHIM	
67	WR55321	4	NUT-FLANGE HEX,1/2 NC G8	
68	WR122884	4	SPACER-TUBE,CHAINCASE	



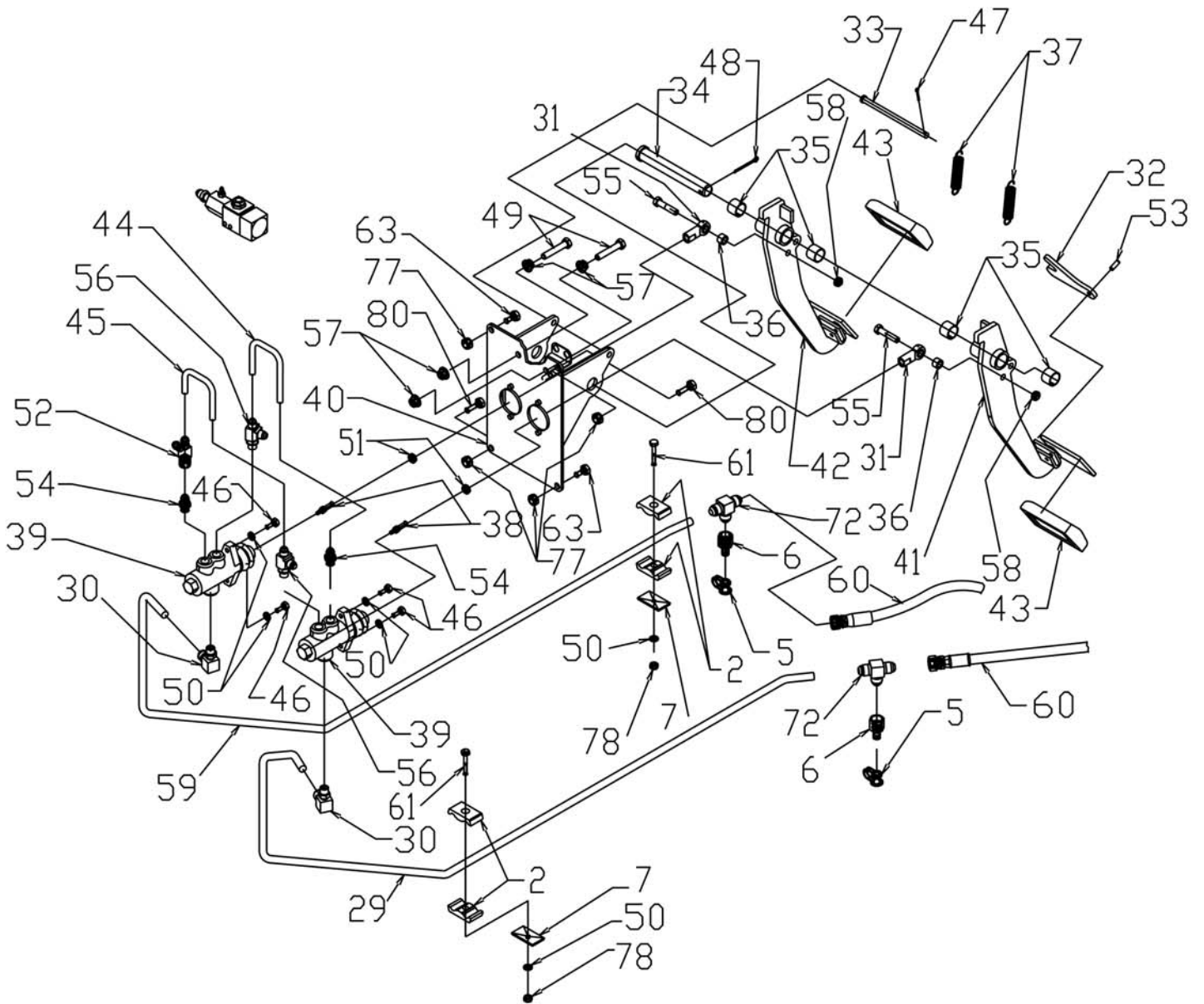
6803541 - HUB ASSY-WHEEL

ITEM	PART #	QTY	DESCRIPTION	COMMENTS
1	WR55627	8	BOLT-WHEEL 5/8X18 UNF X 2	
2	6803540	1	HUB-WHEEL	



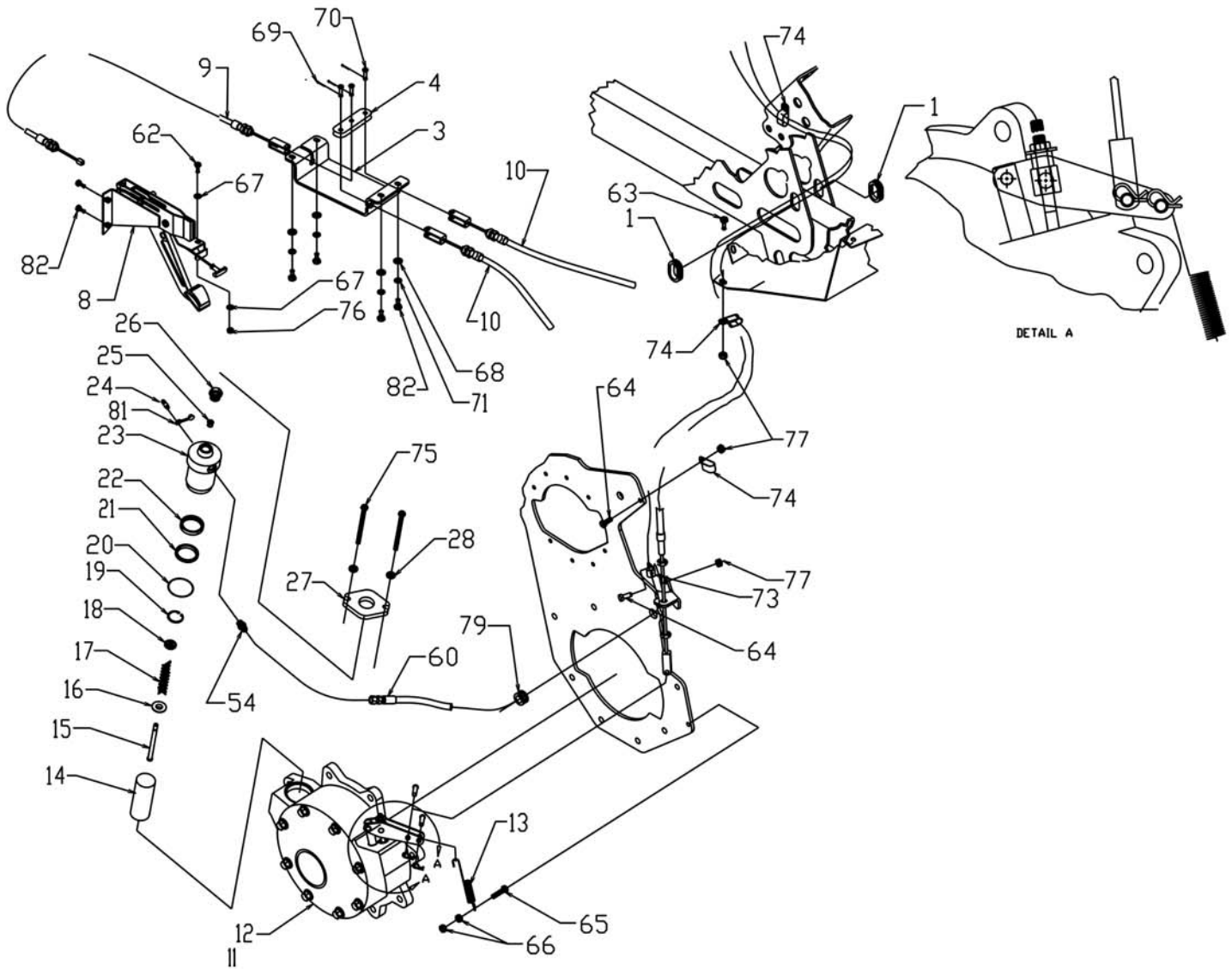
6802616 - BRAKE GROUP-POWER,4640

ITEM	PART #	QTY	DESCRIPTION	COMMENTS
0	6801637	1	PEDAL ASSY-BRAKE	SEE PAGE 2-11
0	6801169	-	INSTL-BRAKE	
0	6800721	2	CYLINDER ASSY-BRAKE	SEE PAGE 2-10
0	WR561683	8	BOLT M10-1.5 X 25MM G8.8 ZN HH	
1	6670119	4	GROMMET	
2	6577696	4	CLAMP-TUBELINE	
3	6626414	1	BRACKET-BRAKE	
4	6626527	1	BAR-EQUALIZER	
5	6630367	2	CAP-DUST	
6	WR519115	2	TUBE END NIPPLE -8	
7	6652521	2	COVER-PLATE	
8	6661111	1	LEVER ASSY-BRAKE	
9	6661803	1	CABLE-BRAKE,PARKING	
10	6670628	2	CABLE-BRAKE,PARKING	
11	WR55922	1	BRAKE ASSY,LH	SEE PAGE 2-7
12	WR55923	1	BRAKE ASSY,RH	SEE PAGE 2-8
13	6800216	2	TIGHTENER-SPRING	
14	6800715	1	PISTON-CYL,BRAKE	
15	6800717	1	PIN-CLEVIS	
16	6593359	1	BUSHING-BACKUP,O-RING	
17	6800713	1	SRING-CYL,BRAKE	
18	6800716	1	WASHER-SPRING	
19	6669713	1	RING-SNAP	
20	WR55424	1	O RING-2.375 ID	
21	1657089	1	ROD-SCRAPER,WIPER	
22	6669744	1	SEAL-ROD	
23	6800714	1	HOUSING-CYL,BRAKE	
24	6645812	1	SCREW-BLEEDER	
25	3739149	1	COLLETS(33173108)	
26	WR561310	1	PLUG 0.62MO-R HEX	
27	6800718	2	MOUNT	
28	6565433	4	WASHER-ENGINE	
29	6801011	1	TUBELINE	
30	WR514800	2	ELBOW-90D,-6MORX-8 MJIC	
31	6512954	2	CONNECTOR-ROD,END	
32	6617524	1	ARM-LOCKING	
33	6618395	1	PIN-CLEVIS	
34	6620327	1	PIN-PEDAL	
35	6620331	4	BUSHING	
36	6625282	2	BUSHING	
37	6627054	2	SPRING-EXTENSION	
38	6628003	2	ROD-ACTUATOR,BRAKE	
39	6669627	2	VALVE-MODULATING	SEE PAGE 2-9
40	6800142	1	SUPPORT-PEDAL,W/A	
41	6800147	1	PEDAL-BRAKE,W/A,LH	
42	6800148	1	PEDAL-BRAKE,W/A,RH	
43	6800419	2	PAD-PEDAL,BRAKE	
44	6800726	1	TUBELINE	
45	6801006	1	TUBELINE	
46	WR550183	2	BOLT 0.31-18NCX 0.75 G5 ZN HHD	
47	WR10337	1	PIN-COTTER,1/8 X 3/4	
48	WR559768	1	PIN COTTER 0.18X1.75 ZN	
49	WR55092	2	BOLT-M10-1.5X55,G8.8,FULL THRD	
50	WR550205	2	WASHER LK 0.31 ZN REG	
51	WR55121	2	NUT-JAM, 3/8-24UNF G2	
52	WR561391	2	TEE 0.37FJIC SW X 0.37MJIC(2)	
53	WR55401	1	PIN-STR COILED,1/4 X 3/4	
55	WR55148	2	SCREW-CAP HEX 3/8 NC X	
56	WR519123	2	TEE-RUN,STR THD -6	
57	WR55281	4	NUT-FLANGE,M10 X 1.5	
58	WR55353	2	NUT-TOPLOCK, 3/8-16UNC G8	
59	6801728	1	TUBELINE	
60	6802302	2	HOSE-8FJX-06FJX45-06R1	
61	WR552275	2	BOLT 0.31-18NCX 2.00 G5 ZN HHD	
62	WR55035	1	SCREW-CAP HEX M8 X 20	
63	WR55046	4	SCREW-CAP HEX M10 X R/B 562463	
64	WR55047	2	SCREW-CAP HEX M10 X 40	
65	WR55047	2	SCREW-CAP HEX M10 X 40	
66	WR50838	4	NUT-HEX,METRIC M10-1.5	



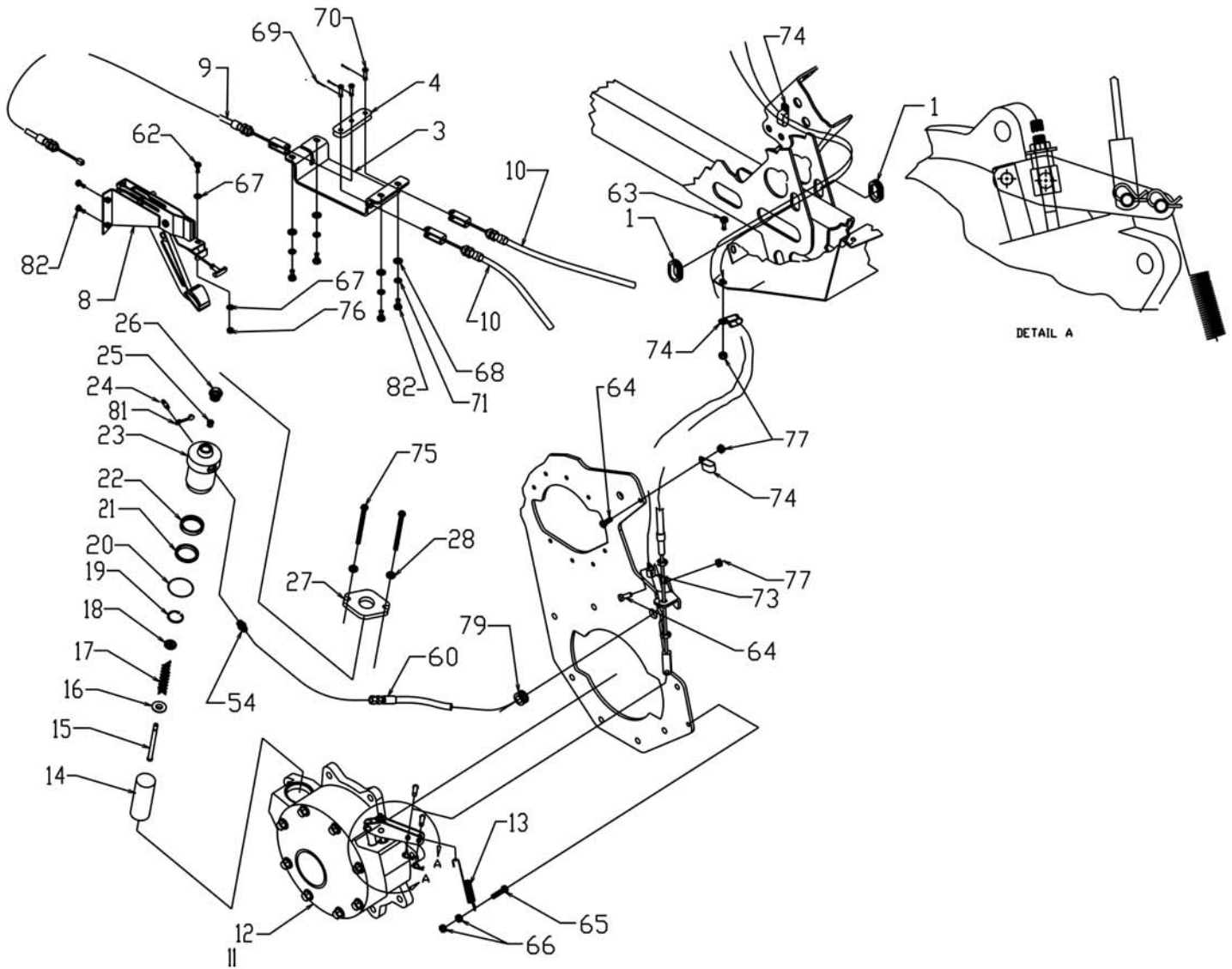
6802616 - BRAKE GROUP-POWER,4640

ITEM	PART #	QTY	DESCRIPTION	COMMENTS
67	WR55388	2	WASHER-PLAIN ST,8MM	
68	WR55075	4	WASHER-PLAIN,10MM ID,LC,	
69	WR552089	3	PIN COTTER 0.09X0.75 ZN	
70	WR55098	3	PIN-CLEVIS,3/8 X 1.08 HRD	
71	WR55106	4	WASHER-LOCK SPRING,10 MM	
72	WR55478	2	TEE-06MJ R/B 562346	
73	WR50830	2	CLAMP-SUPPORT,CUSHION,	
74	WR55247	6	CLAMP-SUPPORT CUSHION DBL	
75	WR553662	4	BOLT 0.37-16NCX 5.00 G5 ZN HHD	
76	WR55414	1	NUT-HEX,M8 X 1.25 W/	
77	WR55316	10	NUT-HEX,M10 X 1.5 W/THREADLOCK	
78	WR550213	2	NUT 0.31-18NC HEX ZN REG	
79	6670751	2	GROMMET	
80	WR29125	2	SCREW-CAP HEX M10 X 30	
81	6652943	2	COVER-GREASE	
82	WR55350	4	SCREW-HEX,3/8 X 1,	



6802616 - BRAKE GROUP-POWER,4640

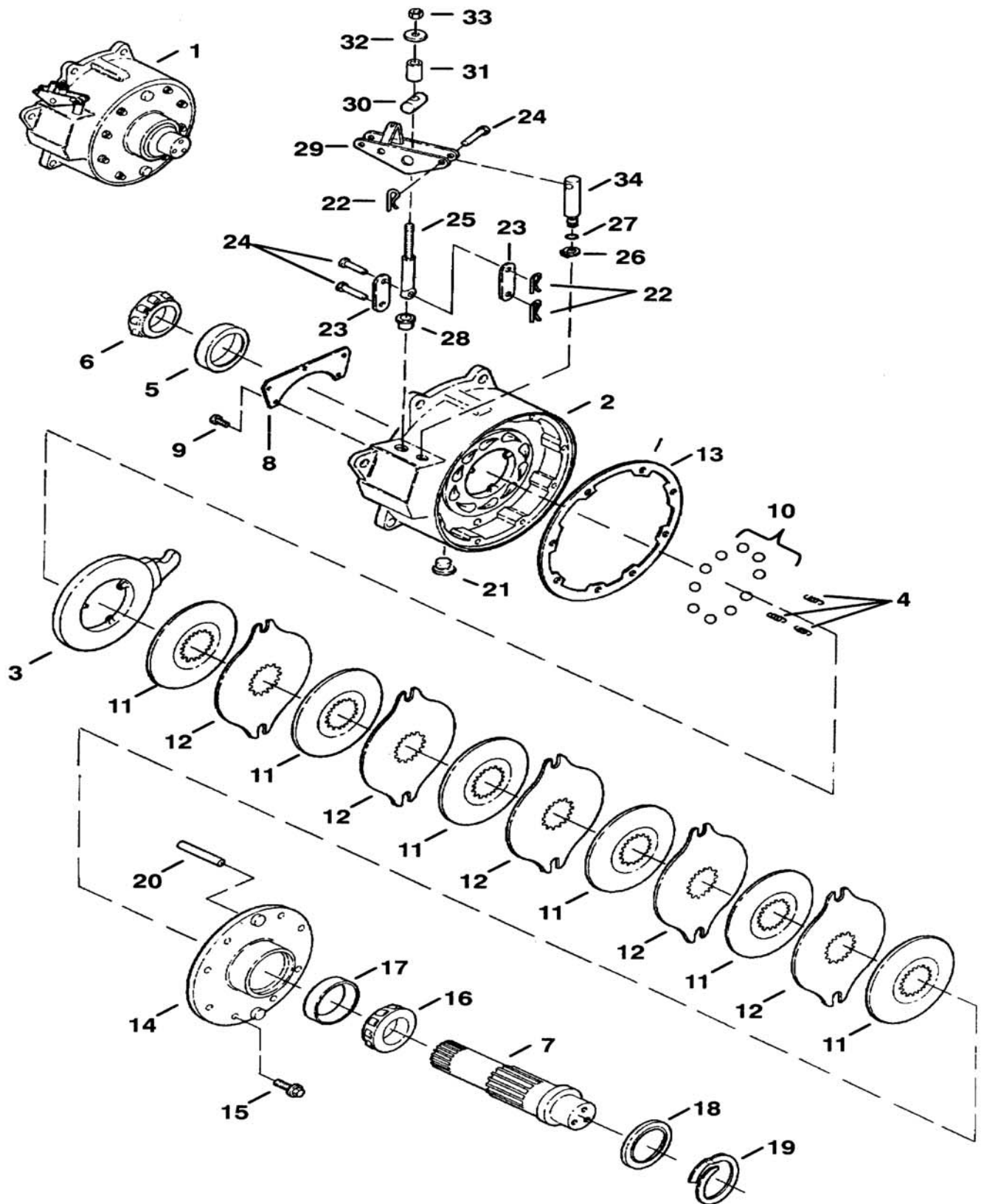
ITEM	PART #	QTY	DESCRIPTION	COMMENTS
0	6800721	2	CYLINDER ASSY-BRAKE	SEE PAGE 2-10
0	6801169	-	INSTL-BRAKE	
0	6801637	1	PEDAL ASSY-BRAKE	SEE PAGE 2-11
0	WR561683	8	BOLT M10-1.5 X 25MM G8.8 ZN HH	
1	6670119	4	GROMMET	
2	6577696	4	CLAMP-TUBELINE	
3	6626414	1	BRACKET-BRAKE	
4	6626527	1	BAR-EQUALIZER	
5	6630367	2	CAP-DUST	
6	WR519115	2	TUBE END NIPPLE -8	
7	6652521	2	COVER-PLATE	
8	6661111	1	LEVER ASSY-BRAKE	
9	6661803	1	CABLE-BRAKE,PARKING	
10	6670628	2	CABLE-BRAKE,PARKING	
11	WR55922	1	BRAKE ASSY,LH	SEE PAGE 2-7
12	WR55923	1	BRAKE ASSY,RH	SEE PAGE 2-8
13	6800216	2	TIGHTENER-SPRING	
14	6800715	1	PISTON-CYL,BRAKE	
15	6800717	1	PIN-CLEVIS	
16	6593359	1	BUSHING-BACKUP,O-RING	
17	6800713	1	SRING-CYL,BRAKE	
18	6800716	1	WASHER-SPRING	
19	6669713	1	RING-SNAP	
20	WR55424	1	O RING-2.375 ID	
21	1657089	1	ROD-SCRAPER,WIPER	
22	6669744	1	SEAL-ROD	
23	6800714	1	HOUSING-CYL,BRAKE	
24	6645812	1	SCREW-BLEEDER	
25	3739149	1	COLLETS(33173108)	
26	WR561310	1	PLUG 0.62MO-R HEX	
27	6800718	2	MOUNT	
28	6565433	4	WASHER-ENGINE	
29	6801011	1	TUBELINE	
30	WR514800	2	ELBOW-90D,-6MORX-8 MJIC	
31	6512954	2	CONNECTOR-ROD,END	
32	6617524	1	ARM-LOCKING	
33	6618395	1	PIN-CLEVIS	
34	6620327	1	PIN-PEDAL	
35	6620331	4	BUSHING	
36	6625282	2	BUSHING	
37	6627054	2	SPRING-EXTENSION	
38	6628003	2	ROD-ACTUATOR,BRAKE	
39	6669627	2	VALVE-MODULATING	SEE PAGE 2-9
40	6800142	1	SUPPORT-PEDAL,W/A	
41	6800147	1	PEDAL-BRAKE,W/A,LH	
42	6800148	1	PEDAL-BRAKE,W/A,RH	
43	6800419	2	PAD-PEDAL,BRAKE	
44	6800726	1	TUBELINE	
45	6801006	1	TUBELINE	
46	WR550183	2	BOLT 0.31-18NCX 0.75 G5 ZN HHD	
47	WR10337	1	PIN-COTTER,1/8 X 3/4	
48	WR559768	1	PIN COTTER 0.18X1.75 ZN	
49	WR55092	2	BOLT-M10-1.5X55,G8.8,FULL THRD	
50	WR550205	2	WASHER LK 0.31 ZN REG	
51	WR55121	2	NUT-JAM, 3/8-24UNF G2	
52	WR561391	2	TEE 0.37FJIC SW X 0.37MJIC(2)	
53	WR55401	1	PIN-STR COILED,1/4 X 3/4	
55	WR55148	2	SCREW-CAP HEX 3/8 NC X	
56	WR519123	2	TEE-RUN,STR THD -6	
57	WR55281	4	NUT-FLANGE,M10 X 1.5	
58	WR55353	2	NUT-TOPLOCK, 3/8-16UNC G8	
59	6801728	1	TUBELINE	
60	6802302	2	HOSE-8FJX-06FJX45-06R1	
61	WR552275	2	BOLT 0.31-18NCX 2.00 G5 ZN HHD	
62	WR55035	1	SCREW-CAP HEX M8 X 20	
63	WR55046	4	SCREW-CAP HEX M10 X R/B 562463	
64	WR55047	2	SCREW-CAP HEX M10 X 40	
65	WR55047	2	SCREW-CAP HEX M10 X 40	
66	WR50838	4	NUT-HEX,METRIC M10-1.5	



6802616 - BRAKE GROUP-POWER,4640

ITEM	PART #	QTY	DESCRIPTION	COMMENTS
67	WR55388	2	WASHER-PLAIN ST,8MM	
68	WR55075	4	WASHER-PLAIN,10MM ID,LC,	
69	WR552089	3	PIN COTTER 0.09X0.75 ZN	
70	WR55098	3	PIN-CLEVIS,3/8 X 1.08 HRD	
71	WR55106	4	WASHER-LOCK SPRING,10 MM	
72	WR55478	2	TEE-06MJ R/B 562346	
73	WR50830	2	CLAMP-SUPPORT,CUSHION,	
74	WR55247	6	CLAMP-SUPPORT CUSHION DBL	
75	WR553662	4	BOLT 0.37-16NCX 5.00 G5 ZN HHD	
76	WR55414	1	NUT-HEX,M8 X 1.25 W/	
77	WR55316	10	NUT-HEX,M10 X 1.5 W/THREADLOCK	
78	WR550213	2	NUT 0.31-18NC HEX ZN REG	
79	6670751	2	GROMMET	
80	WR29125	2	SCREW-CAP HEX M10 X 30	
81	6652943	2	COVER-GREASE	
82	WR55350	4	SCREW-HEX,3/8 X 1,	

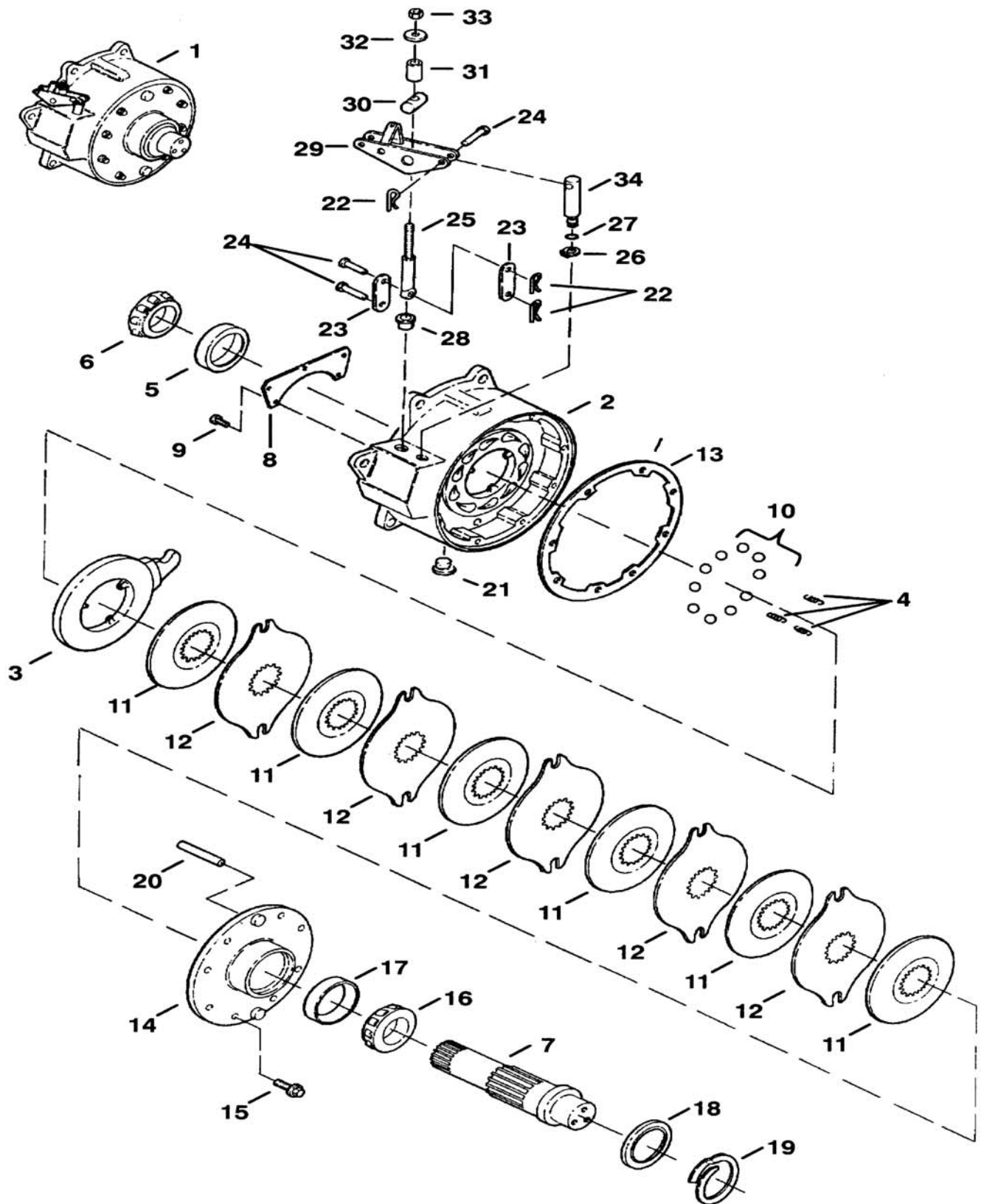
WR55922 - BRAKE ASSY,LH



WR55922 - BRAKE ASSY,LH

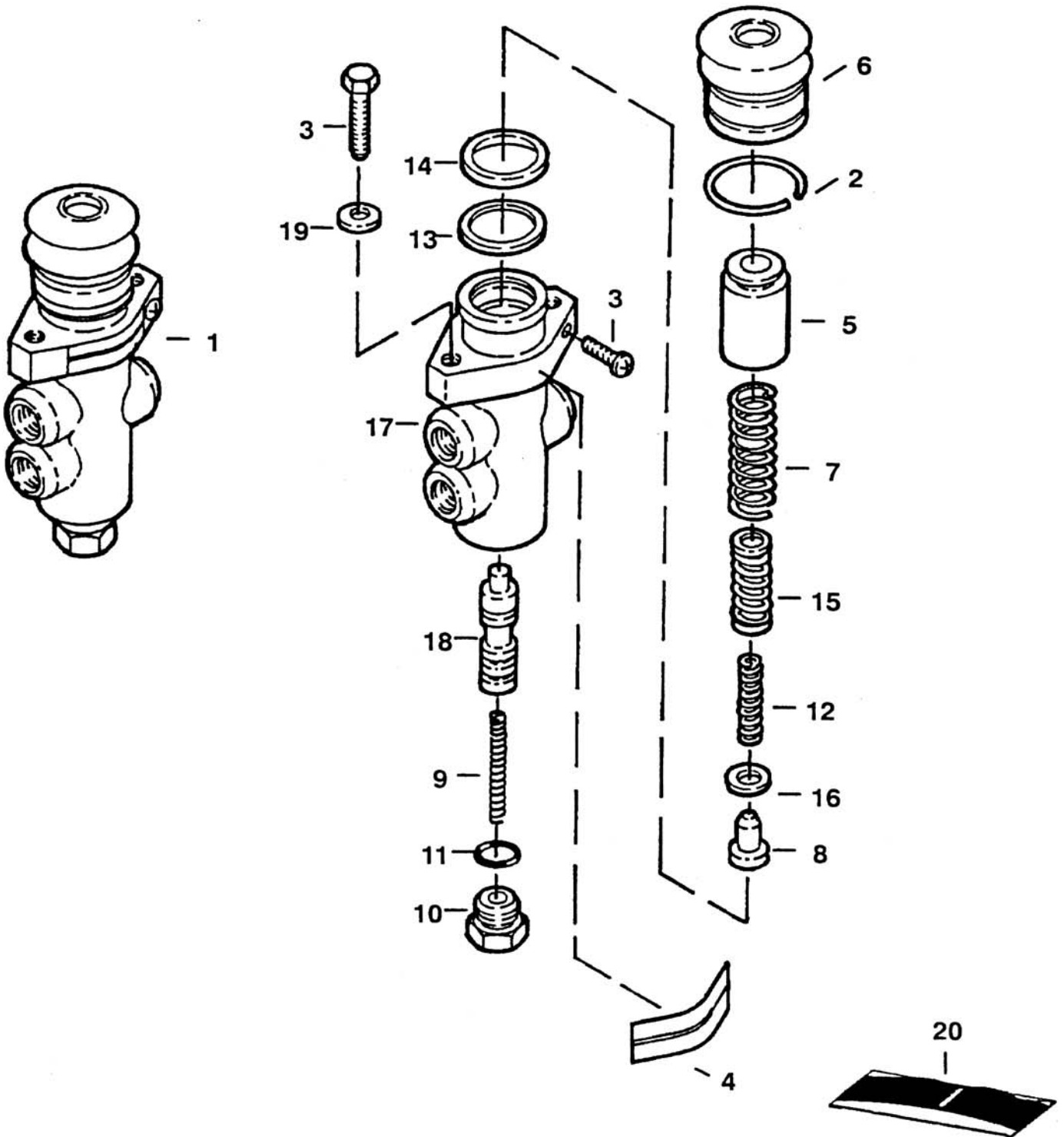
ITEM	PART #	QTY	DESCRIPTION	COMMENTS
2	WR55924	1	HOUSING,LH	
3	6672641	1	ACTUATOR LH	
4	6672643	3	SPRING	
5	6672644	1	CUP	
6	6672645	1	BEARING	
7	6672646	1	SHAFT	
8	6672647	1	PLATE	
9	6672648	5	SCREW-BUTTON HEAD SOCKET	
10	6672649	9	BALL	
11	6672650	5	ROTATING DISC	
12	6672651	6	STATIONARY DISC	
13	WR55927	1	GASKET	
14	WR55926	1	PLATE COVER	
15	6672654	8	HEX FLANGE BOLT	
16	6672655	1	CONE BEARING	
17	6672656	1	TAPER CUP	
18	6672657	1	SEAL	
19	6672658	1	RETAINING RING	
20	6672659	2	PIN	
21	6672660	1	PLUG	
22	6665632	5	CLIP PIN	
23	6672661	2	LINK	
24	6672662	5	CLEVIS PIN	
25	6672663	1	BOLT EYE	
26	6672664	1	RETAINING RING	
27	6672665	1	O-RING	
28	6672666	1	SEAL	
29	6672667	2	LEVER	
30	6672668	1	PIVOT	
31	6672669	1	SPACER	
32	6672670	1	WASHER	
33	6672671	1	LOCKNUT	
34	6672672	1	LEVER POST	
			ITEM 1: BRAKE ASSY,LH - WR55922	

WR55923 - BRAKE ASSY,RH



WR55923 - BRAKE ASSY,RH

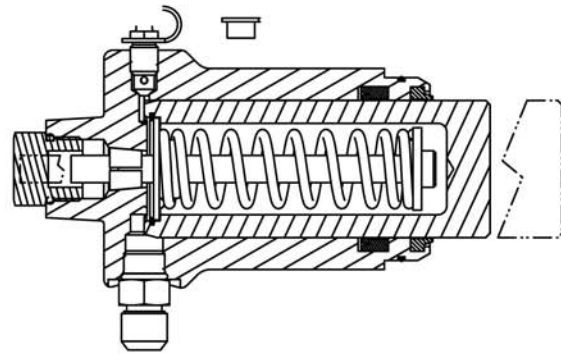
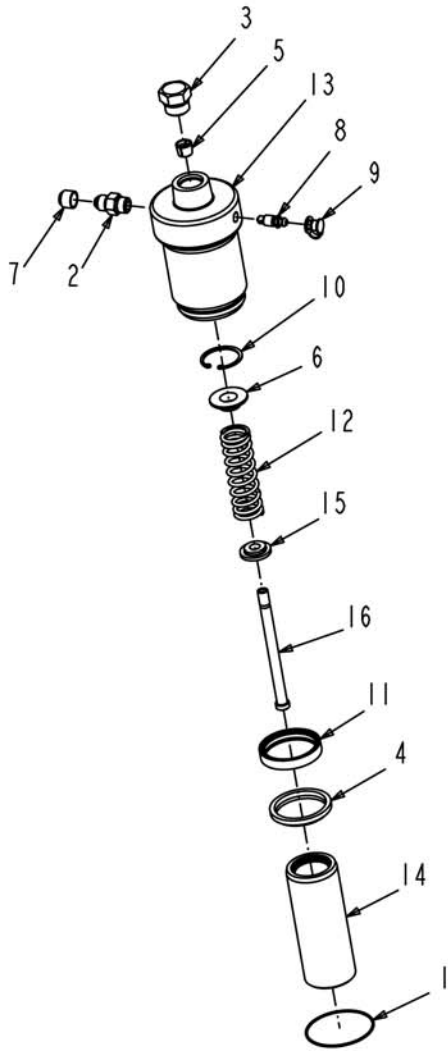
ITEM	PART #	QTY	DESCRIPTION	COMMENTS
2	WR55925	1	HOUSING,RH	
3	6672642	1	ACTUATOR RH	
4	6672643	3	SPRING	
5	6672644	1	CUP	
6	6672645	1	BEARING	
7	6672646	1	SHAFT	
8	6672647	1	PLATE	
9	6672648	5	SCREW-BUTTON HEAD SOCKET	
10	6672649	9	BALL	
11	6672650	5	ROTATING DISC	
12	6672651	6	STATIONARY DISC	
13	WR55927	1	GASKET	
14	WR55926	1	PLATE COVER	
15	6672654	8	HEX FLANGE BOLT	
16	6672655	1	CONE BEARING	
17	6672656	1	TAPER CUP	
18	6672657	1	SEAL	
19	6672658	1	RETAINING RING	
20	6672659	2	PIN	
21	6672660	1	PLUG	
22	6665632	5	CLIP PIN	
23	6672661	2	LINK	
24	6672662	5	CLEVIS PIN	
25	6672663	1	BOLT EYE	
26	6672664	1	RETAINING RING	
27	6672665	1	O-RING	
28	6672666	1	SEAL	
29	6672667	2	LEVER	
30	6672668	1	PIVOT	
31	6672669	1	SPACER	
32	6672670	1	WASHER	
33	6672671	1	LOCKNUT	
34	6672672	1	LEVER POST	
			ITEM 1: BRAKE ASSY, RH - WR55923	



6669627 - VALVE-MODULATING

ITEM	PART #	QTY	DESCRIPTION	COMMENTS
3	6671502	2	SCREW	
12	6671503	1	SPRING	
15	6671504	1	SPRING	
20	6671505	-	KIT	
			ITEM 1: VALVE-MODULATING - 6669627	
			ITEMS 6,12,14,15 CANNOT BE PURCHASED INDIVIDUALLY BUT ARE INCLUDED IN THE KIT.	
			ITEM 6: BOOT	
			ITEM 12: SPRING	
			ITEM 14: RING	
			ITEM 15: SPRING	
			ITEMS 2,4,5,7-11,13,16-19 CANNOT BE PURCHASED INDIVIDUALLY BUT ARE INCLUDED IN THE VALVE.	

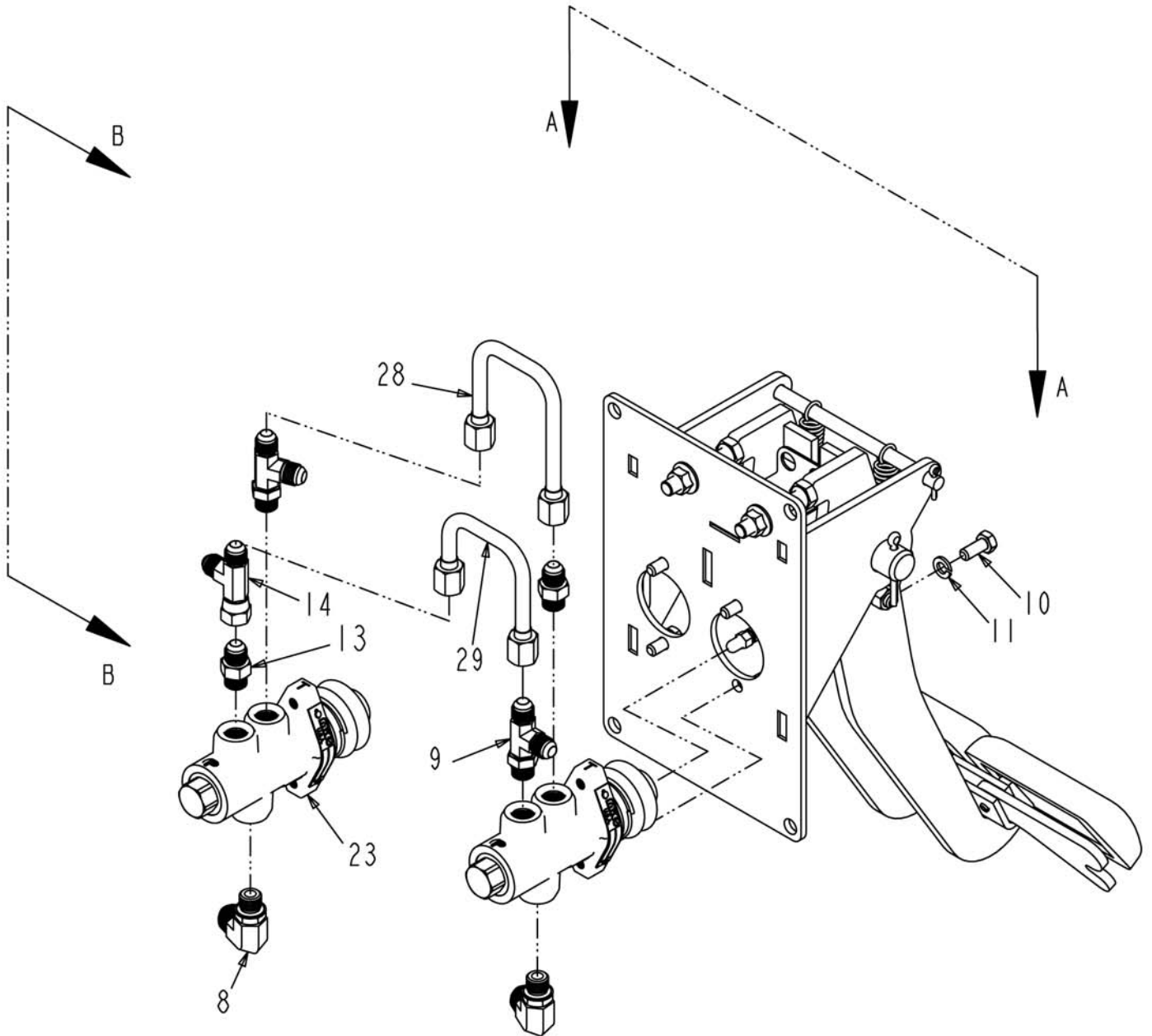
6800721 - CYLINDER ASSY-BRAKE



6800721 - CYLINDER ASSY-BRAKE

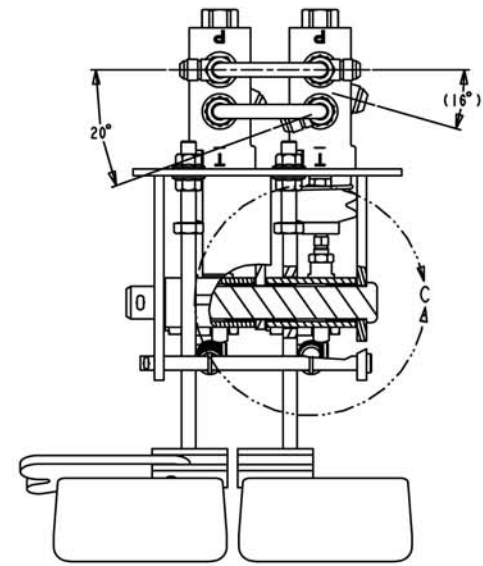
ITEM	PART #	QTY	DESCRIPTION	COMMENTS
1	WR55424	1	O RING-2.375 ID	
2	WR560693	1	ADAP STR 0.37MO-R X 0.37MJIC	
3	WR561310	1	PLUG 0.62MO-R HEX	
4	1657089	1	ROD-SCRAPER,WIPER	
5	3739149	1	COLLETS(33173108)	
6	6593359	1	BUSHING-BACKUP,O-RING	
7	6598937	1	PLUG-FITTING	
8	6645812	1	SCREW-BLEEDER	
9	6652943	1	COVER-GREASE	
10	6669713	1	RING-SNAP	
11	6669744	1	SEAL-ROD	
12	6800713	1	SRING-CYL,BRAKE	
13	6800714	1	HOUSING-CYL,BRAKE	
14	6800715	1	PISTON-CYL,BRAKE	
15	6800716	1	WASHER-SPRING	
16	6800717	1	PIN-CLEVIS	

6801637 - PEDAL ASSY-BRAKE

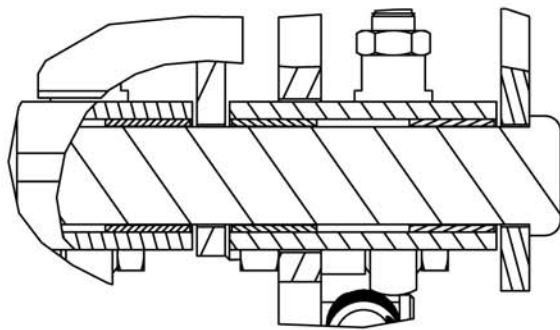


6801637 - PEDAL ASSY-BRAKE

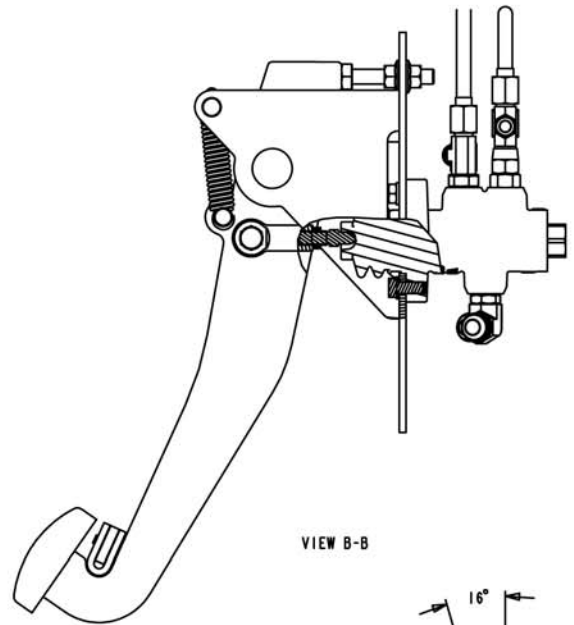
ITEM	PART #	QTY	DESCRIPTION	COMMENTS
1	WR10337	1	PIN-COTTER,1/8 X 3/4	
2	WR514800	2	ELBOW-90D,-6MORX-8 MJIC	
3	WR519123	2	TEE-RUN,STR THD -6	
4	WR550183	4	BOLT 0.31-18NCX 0.75 G5 ZN HHD	
5	WR550205	4	WASHER LK 0.31 ZN REG	
6	WR55092	2	BOLT-M10-1.5X55,G8.8,FULL THRD	
7	WR55121	2	NUT-JAM, 3/8-24UNF G2	
8	WR55148	2	SCREW-CAP HEX 3/8 NC X	
9	WR55281	4	NUT-FLANGE,M10 X 1.5	
10	WR55353	2	NUT-TOPLOCK, 3/8-16UNC G8	
11	WR55401	1	PIN-STR COILED,1/4 X 3/4	
12	WR559768	1	PIN COTTER 0.18X1.75 ZN	
13	WR560693	2	ADAP STR 0.37MO-R X 0.37MJIC	
14	WR561391	1	TEE 0.37FJIC SW X 0.37MJIC(2)	
15	6512954	2	CONNECTOR-ROD,END	
16	6617524	1	ARM-LOCKING	
17	6618395	1	PIN-CLEVIS	
18	6620327	1	PIN-PEDAL	
19	6620331	4	BUSHING	
20	6625282	2	BUSHING	
21	6627054	2	SPRING-EXTENSION	
22	6628003	2	ROD-ACTUATOR,BRAKE	
23	6669627	2	VALVE-MODULATING	
24	6800142	1	SUPPORT-PEDAL,W/A	SEE PAGE 2-9
25	6800147	1	PEDAL-BRAKE,W/A,LH	
26	6800148	1	PEDAL-BRAKE,W/A,RH	
27	6800419	2	PAD-PEDAL,BRAKE	
28	6800726	1	TUBELINE	
29	6801006	1	TUBELINE	



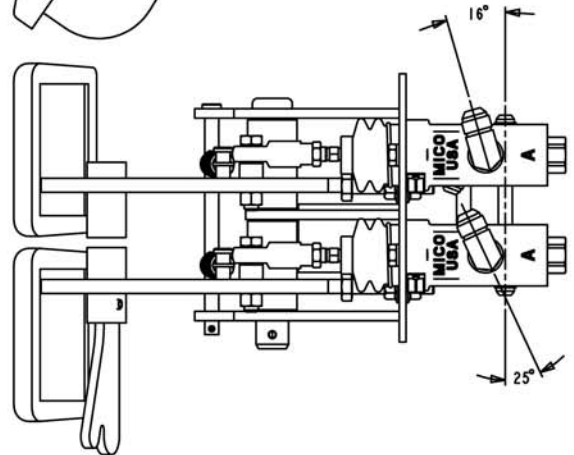
VIEW A-A



DETAIL C

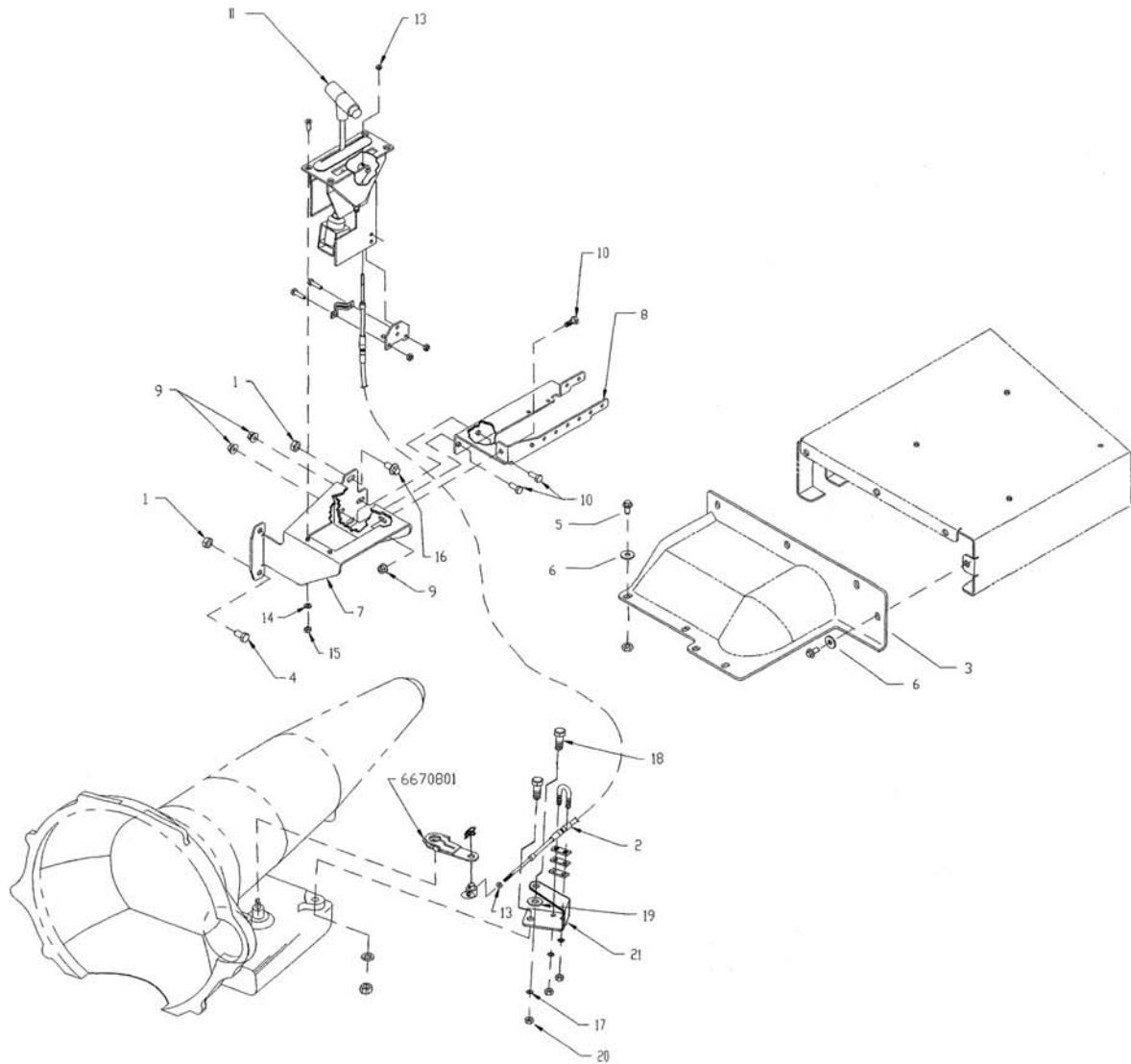


VIEW B-B



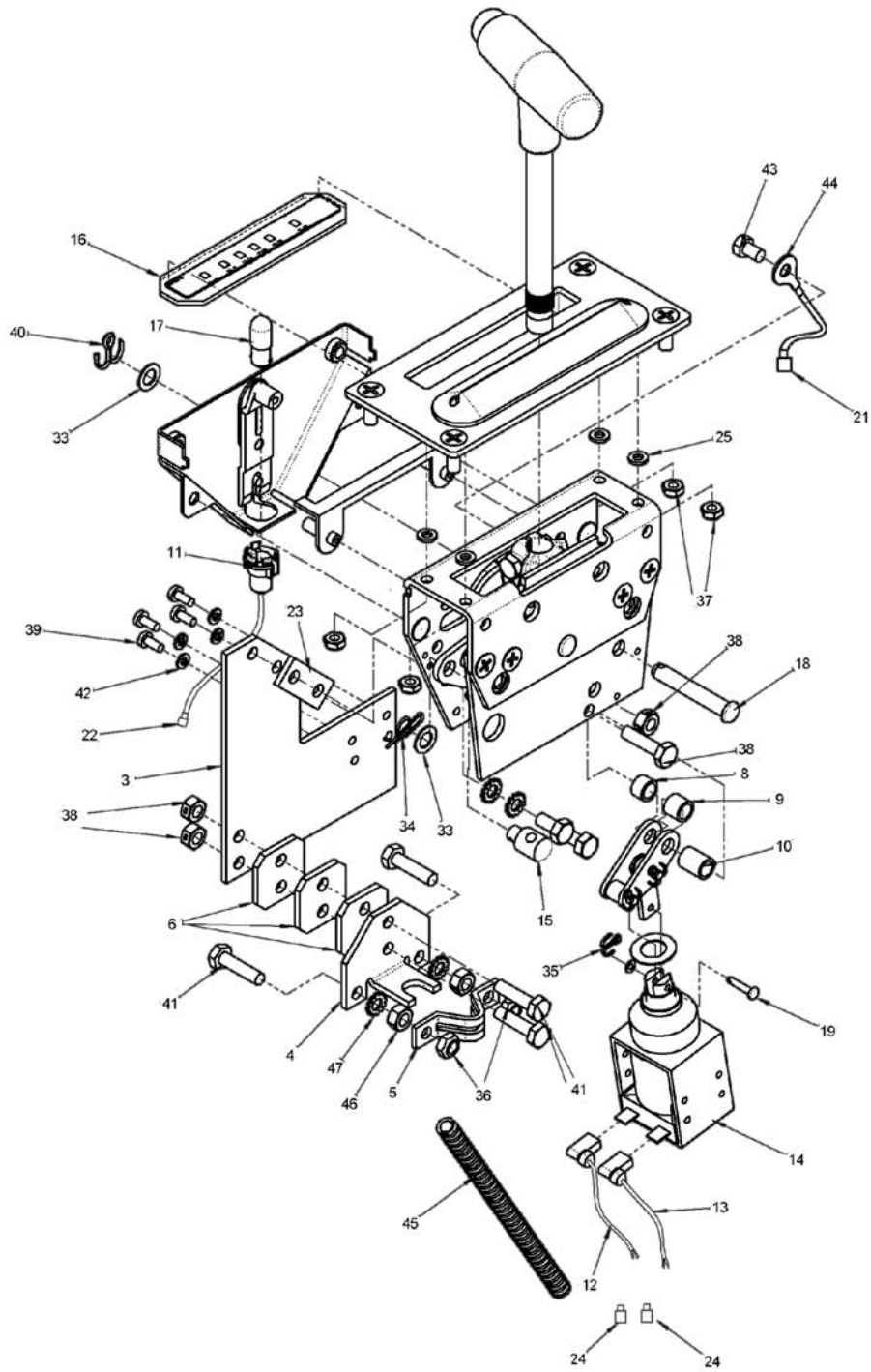
6801637 - PEDAL ASSY-BRAKE

ITEM	PART #	QTY	DESCRIPTION	COMMENTS
1	WR10337	1	PIN-COTTER,1/8 X 3/4	
2	WR514800	2	ELBOW-90D,-6MORX-8 MJIC	
3	WR519123	2	TEE-RUN,STR THD -6	
4	WR550183	4	BOLT 0.31-18NCX 0.75 G5 ZN HHD	
5	WR550205	4	WASHER LK 0.31 ZN REG	
6	WR55092	2	BOLT-M10-1.5X55,G8.8,FULL THRD	
7	WR55121	2	NUT-JAM, 3/8-24UNF G2	
8	WR55148	2	SCREW-CAP HEX 3/8 NC X	
9	WR55281	4	NUT-FLANGE,M10 X 1.5	
10	WR55353	2	NUT-TOPLOCK, 3/8-16UNC G8	
11	WR55401	1	PIN-STR COILED,1/4 X 3/4	
12	WR559768	1	PIN COTTER 0.18X1.75 ZN	
13	WR560693	2	ADAP STR 0.37MO-R X 0.37MJIC	
14	WR561391	1	TEE 0.37FJIC SW X 0.37MJIC(2)	
15	6512954	2	CONNECTOR-ROD,END	
16	6617524	1	ARM-LOCKING	
17	6618395	1	PIN-CLEVIS	
18	6620327	1	PIN-PEDAL	
19	6620331	4	BUSHING	
20	6625282	2	BUSHING	
21	6627054	2	SPRING-EXTENSION	
22	6628003	2	ROD-ACTUATOR,BRAKE	
23	6669627	2	VALVE-MODULATING	
24	6800142	1	SUPPORT-PEDAL,W/A	SEE PAGE 2-9
25	6800147	1	PEDAL-BRAKE,W/A,LH	
26	6800148	1	PEDAL-BRAKE,W/A,RH	
27	6800419	2	PAD-PEDAL,BRAKE	
28	6800726	1	TUBELINE	
29	6801006	1	TUBELINE	



6802732 - SHIFT GROUP-AUTO,SC

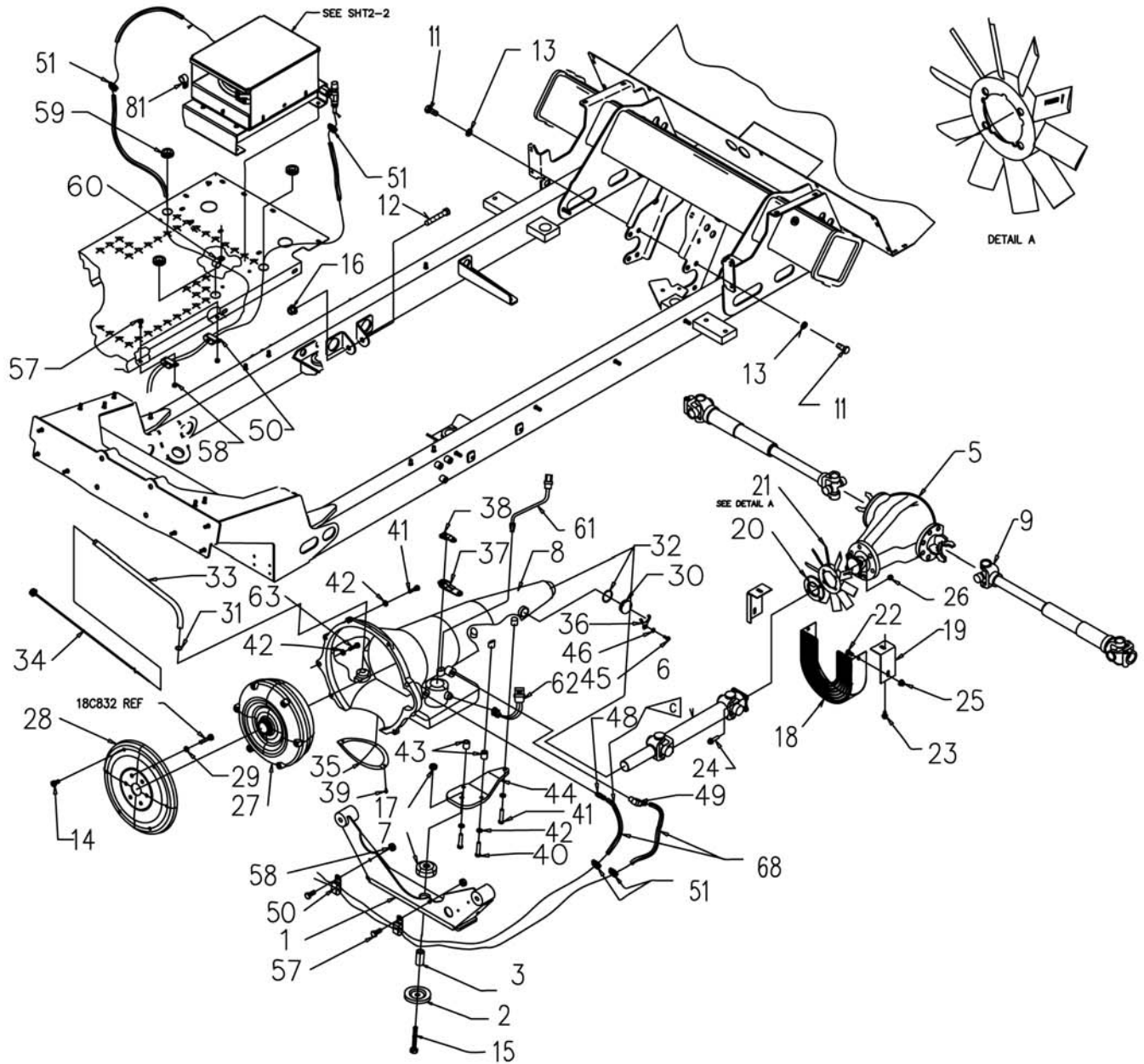
ITEM	PART #	QTY	DESCRIPTION	COMMENTS
0	6802733	-	INSTL-SHIFTER,AUTO	
1	WR55301	4	NUT-FLANGE,M10 X 1.5,PREV	
2	6672185	1	CABLE-SHIFT,AUTO	
3	6801239	1	COVER	
4	WR562463	2	BOLT M10-1.50X 20MM G8.8 ZN HH	
5	WR55190	8	SCREW-CAP HEX M8 X 20,	
6	WR55157	8	WASHER-FLAT,8MM ID,	
7	6802660	1	BRACKET-SHIFTER	
8	6802662	1	BRACKET-FUSE	
9	WR55410	3	NUT-FLANGE,M8 X 1.25 CL8,	
10	WR55035	3	SCREW-CAP HEX M8 X 20	
11	WR55811	1	CONTROL-SHIFT,A/T	SEE PAGE 2-13
12	6672336	1	KIT-CONNECTOR	
13	WR029240	2	NUT #10-32 WHIZ LOCK (D)	
14	WR550493	4	WASHER LK 0.25 ZN REG	
15	WR550612	4	NUT 0.25-20NC HEX ZN REG	
16	WR55214	2	SCREW-HEX FLG,M10X1.5X20 CL8.8	
17	WR55106	1	WASHER-LOCK SPRING,10 MM	
18	WR29125	1	SCREW-CAP HEX M10 X 30	
20	WR50838	1	NUT-HEX,METRIC M10-1.5	
21	WR55981	1	BRACKET-CABLE ADJUST	



WR55811 - CONTROL-SHIFT,A/T

ITEM	PART #	QTY	DESCRIPTION	COMMENTS
2	WR139460	1	LEVER/OPERATING ASM	
3	WR139461	1	STRAP	
4	WR139462	1	BRACKET/ANGLE	
5	WR139463	1	CLAMP/CABLE	
6	WR139464	1	SPACER	
8	WR139465	1	SPACER	
9	WR139466	1	SPACER	
10	WR133741	1	SPACER	
11	WR139467	1	SOCKET ASM	
12	WR139468	1	WIRE ASM (LT GREEN)18 GA	
13	WR139469	1	WIRE ASM (RED) 18 GA	
14	WR55601	1	SOLENOID-AUTO TRANS CNTRL	
15	WR139470	1	SWIVEL	
16	WR139471	1	LENS	
17	WR139472	1	LAMP	
18	WR139473	1	PIN/CLEVIS,5/16 DIA.	
19	WR139474	1	PIN/CLEVIS,1/8 DIA.	
21	WR139475	1	TERMINAL/FEMALE	
22	WR139476	1	TERMINAL/MALE	
23	WR139477	1	SPACER	
24	WR139478	2	TERMINAL/PUSH-ON,MALE	
25	WR139479	4	WASHER/FLAT	
33	WR133757	2	WASHER	
34	WR139480	1	PIN/COTTER,RUE RING	
35	WR33530	1	PLATE-SUPPORT,90' BOOM	
36	WR139481	1	NUT/UNITORQUE	
37	WR139482	4	NUT/LOCK W/NYLON INSERT	
38	WR133760	4	NUT/LOCK #1/4-20	
39	WR139483	4	SCREW/PAN HD,CROSS REC.	
40	WR139484	1	PIN/COTTER	
41	WR139485	5	SCREW/CAP, HEX HD	
42	WR139486	4	WIRE/GROUND ASM	
43	WR139487	1	SCREW/CAP, HEX HD	
44	WR139488	1	WIRE/GROUND ASM	
45	WR139489	1	TUBE/SPLIT LOOM,1/4X9 LONG	
46	WR139490	2	NUT/HEX,STEEL,ZINC 1/4-20	
47	WR139491	2	WASHER/LOCK,EXT TOOTH 1/4 ID	

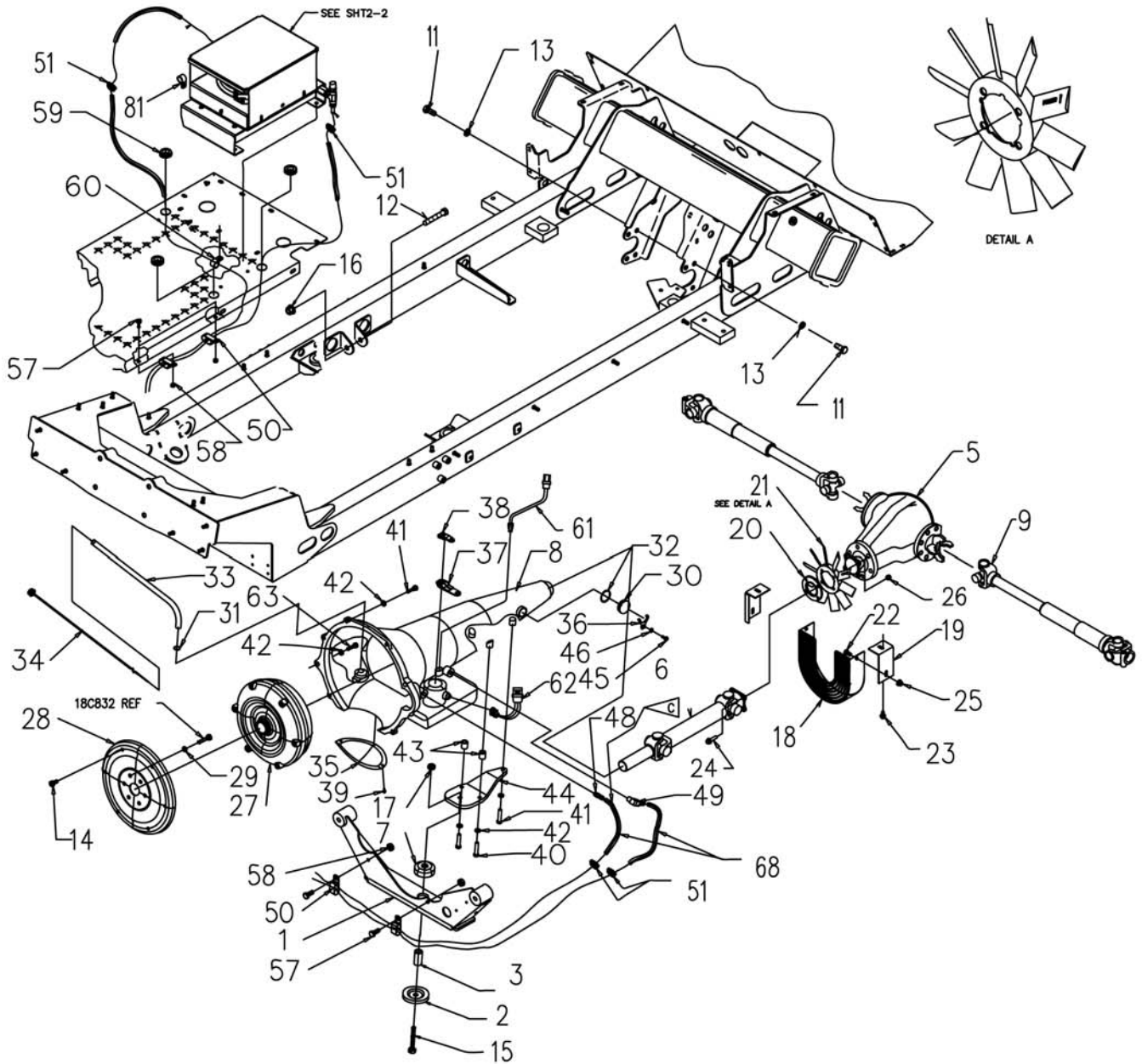
6802754 - DRIVE TRAIN GROUP



6802754 - DRIVE TRAIN GROUP

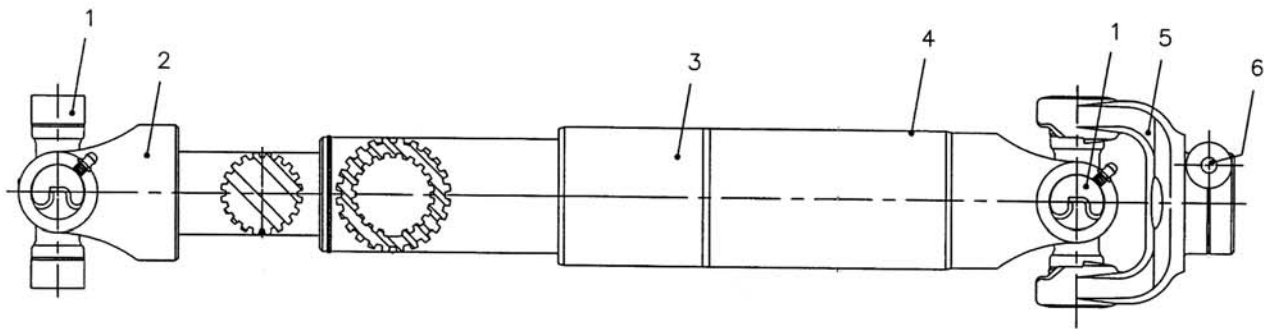
ITEM	PART #	QTY	DESCRIPTION	COMMENTS
0	6802755	-	INSTALLATION,DRIVE TRAIN	
0	WR55933	2	SHAFT-DRIVE 80-108 HD	SEE PAGE 2-15
0	WR55853	2	DECAL-WRENCH	
1	6597804	1	MOUNT-AUTO TRANS,W/A	
2	6661787	1	WASHER-SNUBBING	
3	6706043	1	TUBE-SPACER	
5	6672337	1	DIFFERENTIAL ASSY	SEE PAGE 2-17
6	6802747	1	SHAFT-DRIVE,AUTO	SEE PAGE 2-18
7	6661785	1	MOUNT-ENGINE	
8	WR126288	1	TRANSMISSION-A618 REMAN	
9	WR55933	2	SHAFT-DRIVE 80-108 HD	SEE PAGE 2-15
11	WR553425	8	BOLT 0.62-11NCX 1.50 G5 ZN HHD	
12	WR517438	2	BOLT HHD M16-2X100MM 10.9 ZN	
13	WR550450	8	WASHER 0.62 LK ZN REG	
14	6670790	6	BOLT,TORQUE CONV	
15	WR556103	1	BOLT 0.50-13NCX 3.00 G5 ZN HHD	
16	WR55303	2	NUT-FLANGE,M16 X 2.0,PREV	
17	WR55354	1	NUT-TOPLOCK, 1/2-13UNC G8	
18	6802750	1	SHIELD-FAN	
19	6802806	2	BRACKET,FAN SHIELD	
20	6801064	1	HUB-FAN	
21	6801065	1	FAN-COOLING	
22	WR562463	2	BOLT M10-1.50X 20MM G8.8 ZN HH	
23	WR55191	2	HEX HEAD,THREAD ROLLING SCREW	
24	WR55261	4	SCREW-HEX FLG.,.375NCX1.50 GR5	
25	WR55301	2	NUT-FLANGE,M10 X 1.5,PREV	
26	WR601411	4	NUT 0.37-16NC HEX ZN REG LK NY	
27	6670791	1	CONVERTER, TORQUE	
28	6670792	1	PLATE-FLEX	
29	6670793	6	WASHER,HARDENED	
30	6670794	1	PLUG,SPDOM PORT	
31	6670795	1	SEAL,O-RING	
32	6670796	1	SEAL,O-RING	
33	6670797	1	TUBE,ASSY-OIL INDIC	
34	6670798	1	DIPSTICK,OIL	
35	6670799	1	SHIELD,DUST	
36	6670800	1	RETAINER,PORT PLUG	
37	6670801	1	LEVER,SHIFT LINKAGE	
38	6670802	1	LEVER,THROTTLE VALVE	
39	WR55348	3	SCREW-HEX,#10 X 1/2,	
40	WR10152	2	SCREW-CAP HEX 7/16 NC X 2	
41	WR558923	7	BOLT 0.43-14NCX 1.50 G5 ZN HHD	
42	WR550558	11	WASHER 0.43 LK ZN REG	
43	6597866	2	SPACER	
44	6597865	1	PLATE-AUTO TRANS	
45	WR550183	1	BOLT 0.31-18NCX 0.75 G5 ZN HHD	
46	WR550205	1	WASHER LK 0.31 ZN REG	
47	WR55828	1	COOLER-OIL, A/T	
48	6672202	1	FITTING	
49	6672203	1	FITTING	
50	WR55248	4	CLAMP-SUPPORT CUSHION DBL	
51	WR55292	4	CLAMP-HOSE,.78 SST	
52	WR550485	8	BOLT.25-20NCX.75 G5 ZN HHD	
53	WR55845	1	COVER-OIL COOLER	
54	WR550671	8	WASHER-.25,FL,ZN,TYPE-A(N	
55	WR550493	8	WASHER LK 0.25 ZN REG	
56	WR55830	2	KIT,MOUNTING-OIL COOLER	
57	WR561683	4	BOLT M10-1.5 X 25MM G8.8 ZN HH	
58	WR55272	4	NUT-LOCK,M10 X 1.5,PREV	
59	WR731972	3	GROMMET	
60	WR55236	1	CLAMP-SUPPORT CUSHION,	
61	6672458	1	HARNESS OVERDRIVE	
62	6672459	1	HARNESS NEUTRAL	
63	WR559180	2	BOLT 0.43-14NCX 1.75 G5 ZN HHD	
65	WR55834	1	HOUSING-WLDMT,OIL COOLER	
66	WR55832	2	BRACKET-FAN MOUNT	
67	WR55839	4	NUT-SQUARE, M6 X 1.0 CL	
68	WR55806	-	HOSE-.50 ID [BULK: 18 FT]	
69	WR55840	1	TEE-08FP-08FP-08MP	

6802754 - DRIVE TRAIN GROUP



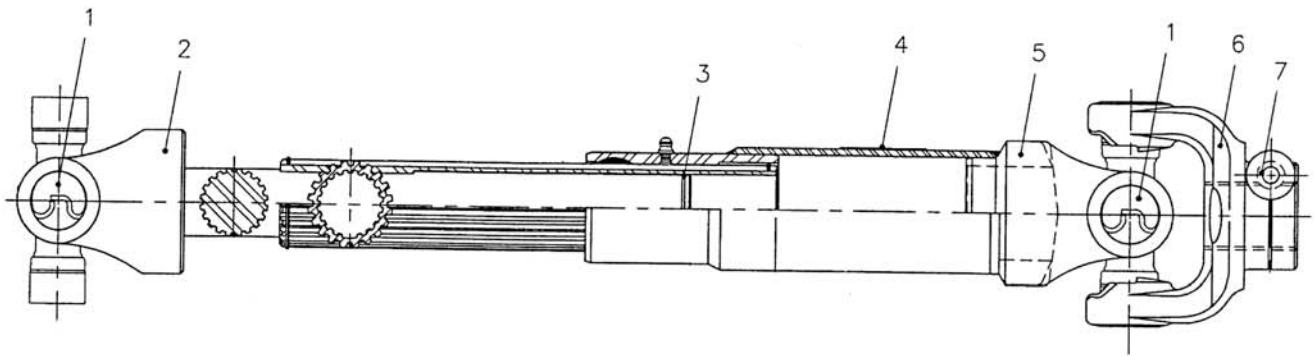
6802754 - DRIVE TRAIN GROUP

ITEM	PART #	QTY	DESCRIPTION	COMMENTS
70	WR55842	1	ADAPTER-08HB-08MP	
71	WR55841	2	ELBOW-45,08HB-06MP	
72	WR55158	4	WASHER-FLAT,10MM ID,	
73	WR55106	4	WASHER-LOCK SPRING,10 MM	
74	WR50838	4	NUT-HEX,METRIC M10-1.5	
75	WR13082	1	ADAPTER-12MP /-08FP	
76	WR551228	1	BUSHG 0.75X 0.37NPT STL PL (N)	
77	WR55838	4	CLIP,FAN MOUNT	
78	WR34508	4	SCREW-CAP HEX M6 X 1.0 X	
79	WR55104	4	WASHER-LOCK SPRING,6MM ID	
80	WR55215	4	SCREW-HEX FLG,M10X1.5X25 CL8.8	
81	WR55233	1	CLAMP-SUPPORT CUSHION,	



WR55933 - SHAFT-DRIVE 80-108 HD

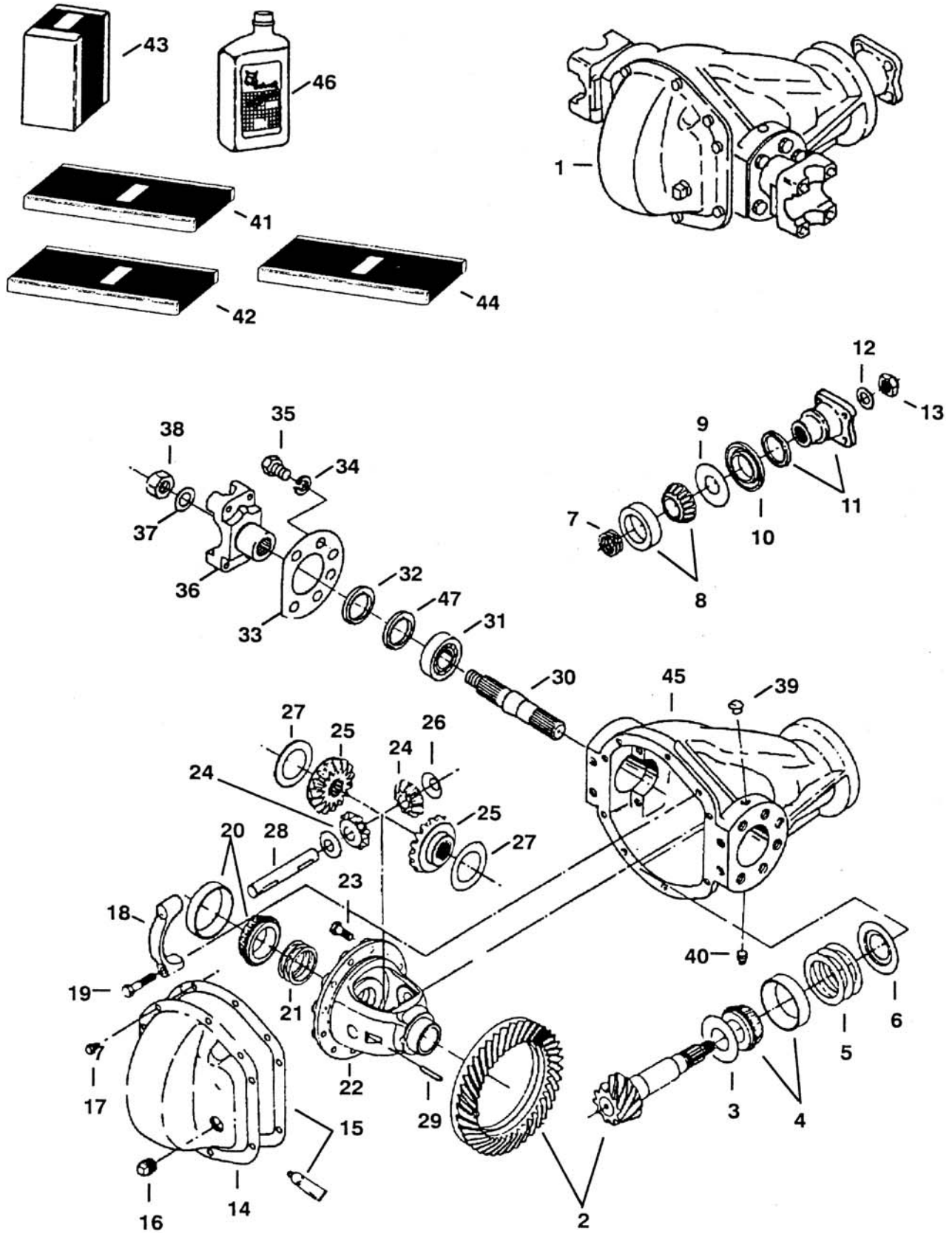
ITEM	PART #	QTY	DESCRIPTION	COMMENTS
0	WR131457	1	SHAFT, DRIVE HALF ASM	
0	WR55939	1	SHAFT ASSY-MALE	
1	6664353	2	CROSS BEARING	
2	WR55937	1	SHAFT-YOKE FEMALE	
3	WR55940	1	RING-RETAINER	
4	WR55936	1	SHAFT YOKE FEMALE	
5	6672512	1	YOKE	
6	6662097	1	PIN W/SPRING	



6672331 - (REPLACED BY WR55933)

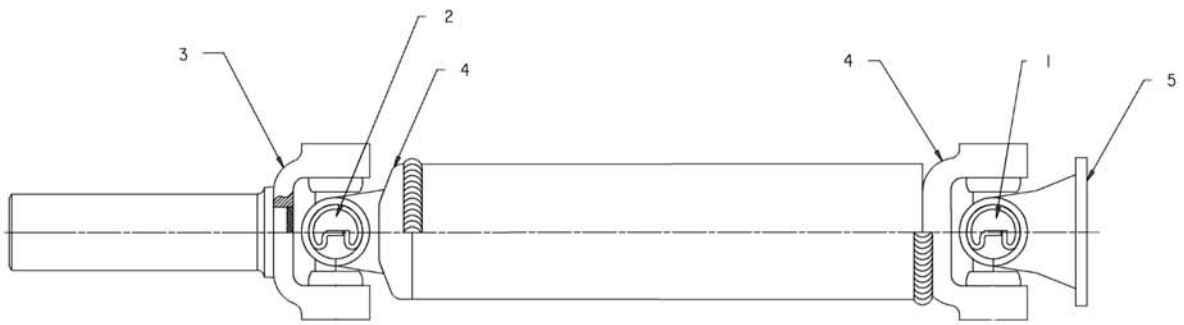
ITEM	PART #	QTY	DESCRIPTION	COMMENTS
0	6672508	1	SHAFT-YOKE	
0	WR131458	1	SHAFT, DRIVE HALF ASM	
1	6664353	2	CROSS BEARING	
2	6672510	1	SHAFT-YOKE	
3	WR131459	1	RING, RETAINER	
4	1077136M1	1	SIGN, SAFETY	
5	6672511	1	SHAFT-YOKE	
6	6672512	1	YOKE	
7	6662097	1	PIN W/SPRING	

6672337 - DIFFERENTIAL ASSY



6672337 - DIFFERENTIAL ASSY

ITEM	PART #	QTY	DESCRIPTION	COMMENTS
0	WR121071	1	STRAP KIT-1350/1410	
2	6672169	1	DRIVE GEAR KIT	
3	6658265	1	SLINGER	
4	6634581	1	BEARING	
6	6658264	1	BAFFLE	
8	6634583	1	BEARING	
9	6662807	1	SLINGER	
10	6662808	1	SEAL	
11	6633096	1	YOKE	
12	6634586	1	WASHER	
13	6634143	1	NUT	
14	6662811	1	COVER	
15	6662810	1	SEALANT	
16	6598452	1	PLUG	
17	6634145	2	SCREW	
19	6598849	2	BOLT	
20	6634589	1	BEARING	
23	6662814	10	BOLT	
29	6662815	1	LOCK	
30	6662816	2	SHAFT	
31	6662817	2	BEARING	
32	6662818	2	SEAL	
33	6662819	2	RETAINER	
34	WR550450	12	WASHER 0.62 LK ZN REG	
35	WR10193	2	SCREW-CAP HEX 5/8 NC X	
36	6672998	2	YOKE	
37	6598455	2	WASHER	
38	6598445	2	NUT	
39	6662821	1	VENT	
40	5208547B	1	PLUG	
41	6662813	1	SHIM KIT	
42	6672170	1	SHIM KIT	
43	6648975	1	KIT	
44	6648976	1	KIT	
45	6662804	1	HOUSING	
46	6665754	1.5	OIL-GEAR	
			ITEM 21: SHIM	
			ITEM 22 CANNOT BE PURCHASED INDIVIDUALLY BUT IS INCLUDED IN THE DIFFERENTIAL KIT.	
			ITEM 22: CARRIER	
			ITEM 24: GEAR	
			ITEMS 24-28 CANNOT BE PURCHASED INDIVIDUALLY BUT ARE INCLUDED IN THE HOUSING.	
			ITEM 25: GEAR	
			ITEM 5: SHIM	
			ITEM 7: SHIM	
			ITEM 18 CANNOT BE PURCHASED INDIVIDUALLY BUT IS INCLUDED IN THE DIFFERENTIAL.	
			ITEM 18: CAP	
			ITEM 21 CANNOT BE PURCHASED INDIVIDUALLY BUT IS INCLUDED IN THE DIFFERENTIAL KIT.	
			ITEMS 5 & 7 CANNOT BE PURCHASED INDIVIDUALLY BUT ARE INCLUDED IN SHIM KIT 42.	
			ITEM 26: THRUSTWASHER	
			ITEM 27: THRUSTWASHER	
			ITEM 28: SHAFT	

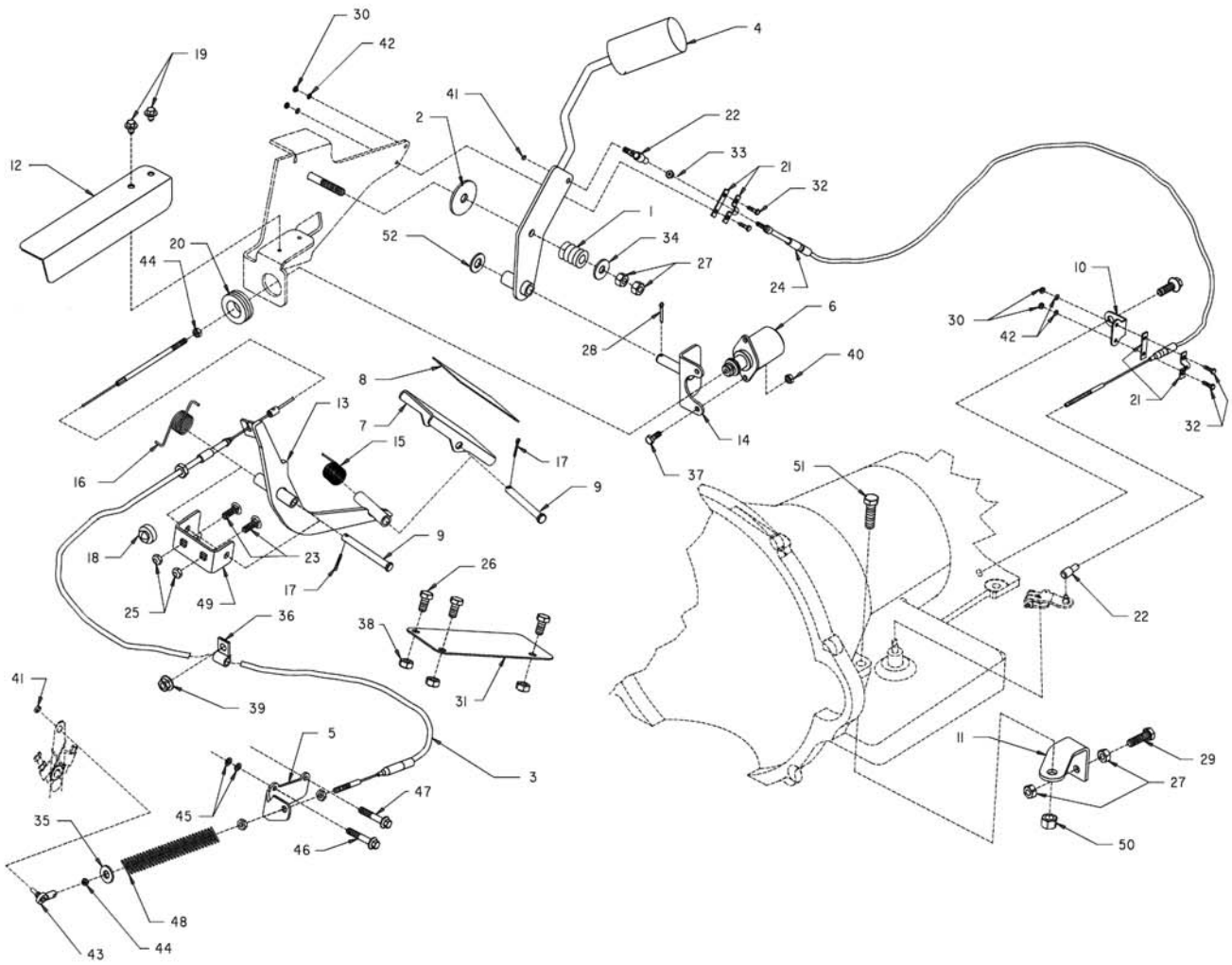


6802747 - SHAFT-DRIVE,AUTO

ITEM	PART #	QTY	DESCRIPTION	COMMENTS
1	6671158	1	KIT	
2	6671157	1	KIT	
3	WR132373	1	YOKE, DODGE SLIP	
4	WR132372	2	YOKE, TUBE	
5	WR705777	1	YOKE UNIVERSAL	
			ITEMS 2,6,7 & 8 CANNOT BE PURCHASED INDIVIDUALLY BUT ARE INCLUDED IN THE DRIVESHAFT.	
			ITEM 2: CENTER SECTION	
			ITEM 6: SLIP YOKE	
			ITEM 7: PLUG	
			ITEM 8: YOKE	

6802747 - SHAFT-DRIVE,AUTO

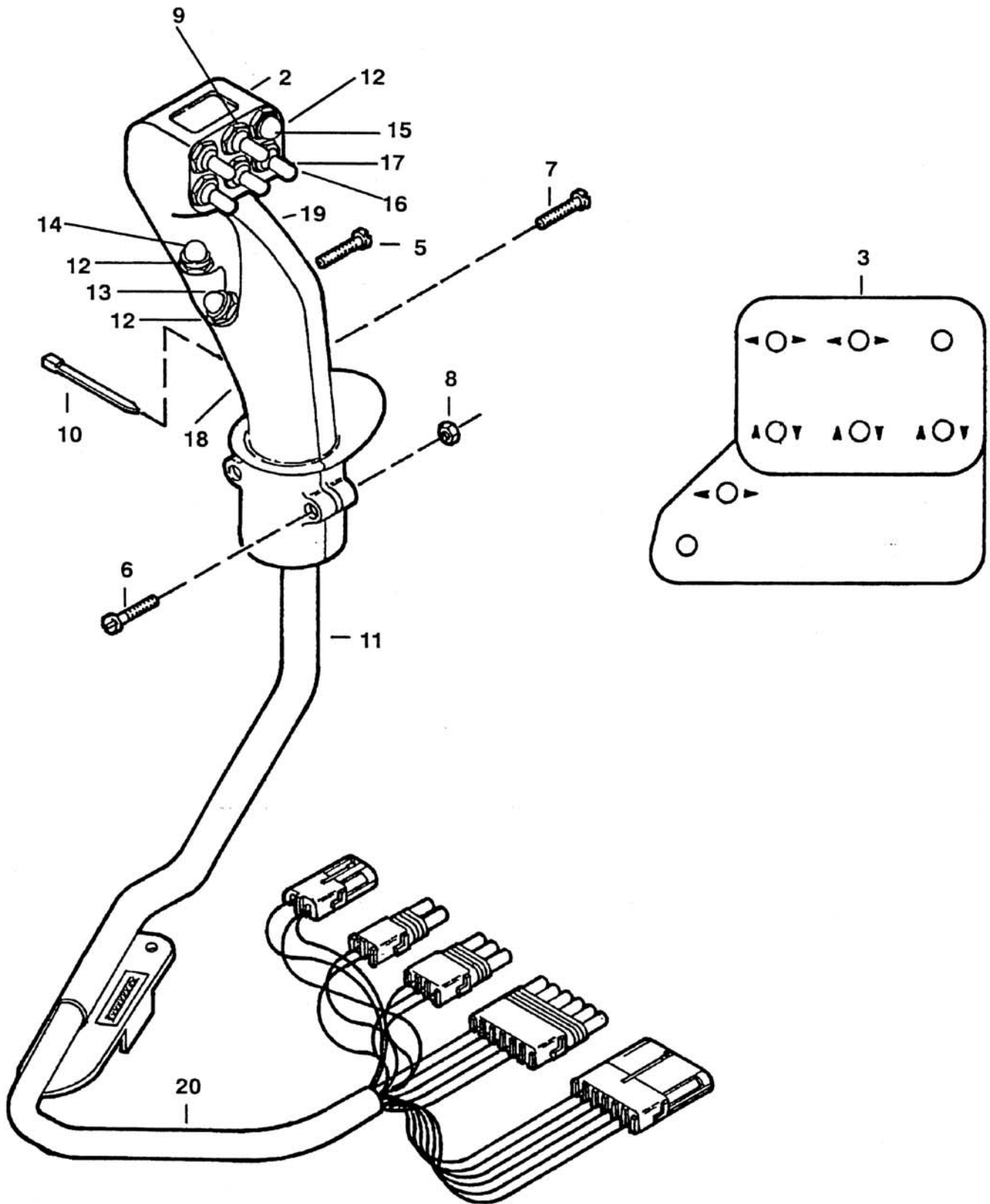
ITEM	PART #	QTY	DESCRIPTION	COMMENTS
1	6671158	1	KIT	
2	6671157	1	KIT	
3	WR132373	1	YOKE, DODGE SLIP	
4	WR132372	2	YOKE, TUBE	
5	WR705777	1	YOKE UNIVERSAL	
			ITEMS 2,6,7 & 8 CANNOT BE PURCHASED INDIVIDUALLY BUT ARE INCLUDED IN THE DRIVESHAFT.	
			ITEM 2: CENTER SECTION	
			ITEM 6: SLIP YOKE	
			ITEM 7: PLUG	
			ITEM 8: YOKE	



6803823 - THROTTLE GROUP-4000,SC

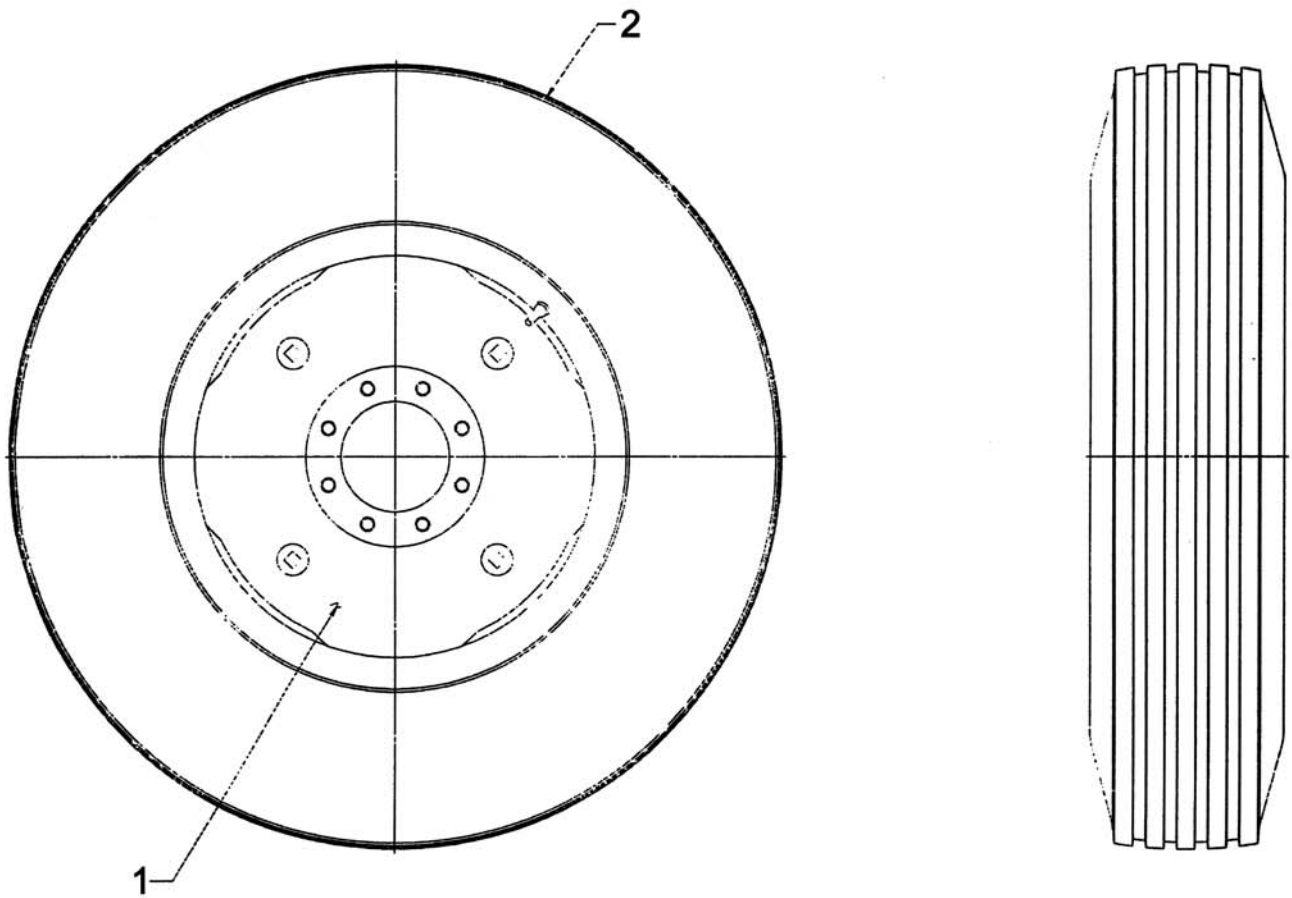
ITEM	PART #	QTY	DESCRIPTION	COMMENTS
0	6803824	-	INSTL-THROTTLE	
0	WR029298	1	BOLT M10-1.50X 35MM G8.8 ZN HH	
0	WR10337	2	PIN-COTTER,1/8 X 3/4	
0	WR554855	1	PIN COTTER 0.12X1.00 ZN	
0	WR55406	1	SCREW-WZLK FLG,M8 X 45	
0	WR25758	2	NUT-JAM LOCK, 1/4-28 UNF	
1	6562126	1	SPRING-COMPRESSION	
2	6627596	1	WASHER-FRICTION	
3	6672184	1	CABLE-THROTTLE	
4	6672201	1	THROTTLE ASSY-HAND	SEE PAGE 2-20
5	6802225	1	BRACKET-THROTTLE	
6	6672191	1	SOLENOID-THROTTLE	
7	6803109	1	PEDAL-THROTTLE	
8	6803816	1	TREAD-SAFETY	
9	6618394	2	PIN-CLEVIS	
10	6803608	1	BRACKET-KICKDOWN,CABLE	
11	6803609	1	BRACKET-KICKDOWN,ADJ	
12	6803642	1	SHIELD-CABLE	
13	6803113	1	PEDAL-TROTTLE,W/A	
14	6803122	1	PIVOT-SOLENOID,W/A	
15	6803786	1	SPRING-TORSION	
16	6586868	1	SPRING-TORSION	
18	6519178	1	BUMPER	
19	WR55205	2	SCREW-HEX FLG,M8X1.25X16 CL8.8	
20	6632215	1	GROMMET	
21	6630399	2	CLAMP AND SHIM	
22	6630575	2	JOINT-BALL	
23	WR562676	2	BOLT 0.31-18 X 1.00 G5 ZN CAR	
24	6665099	1	CABLE-THROTTLE,HAND	
25	WR55352	2	NUT-TOPLOCK,5/16-18UNC G8	
26	WR562463	3	BOLT M10-1.50X 20MM G8.8 ZN HH	
27	WR50838	4	NUT-HEX,METRIC MIO-1.5	
30	WR55070	4	NUT-HEX,M4 CL10	
31	6803785	1	COVER-MOUNT,PEDAL	
32	WR55091	4	SCREW-CAP HEX M4 X 16	
33	WR029240	1	NUT #10-32 WHIZ LOCK (D)	
34	WR55158	1	WASHER-FLAT,10MM ID,	
35	WR550671	1	WASHER-.25,FL,ZN,TYPE-A(N	
36	WR50831	1	CLAMP-SUPPORT,CUSHION,	
37	WR550485	2	BOLT.25-20NCX.75 G5 ZN HDD	
38	WR55272	3	NUT-LOCK,M10 X 1.5,PREV	
39	WR55281	1	NUT-FLANGE,M10 X 1.5	
40	WR55351	2	NUT-TOPLOCK, 1/4-20UNC G8	
42	WR55102	4	WASHER-LOCK SPRING,4MM ID	
43	WR122639	1	JOINT-BALL SWIVEL,25-28UNF	
44	WR11497	2	NUT-HEX, 1/4 - 28 UNF	
45	WR55141	2	WASHER-STL,8MM ID	
46	WR55210	1	SCREW-HEX FLG,M8X1.25X50 CL8.8	
48	6800588	1	SPRING-THROTTLE	
49	6803115	1	PIVOT-THROTTLE,FOOT	
50	WR55273	1	NUT-LOCK,M12 X 1.5,PREV	
51	WR562270	1	BOLT M12-1.75X 40MM G8.8 ZN HH	
52	WR55142	1	WASHER-STL,12MM ID	

6672201 - THROTTLE ASSY-HAND



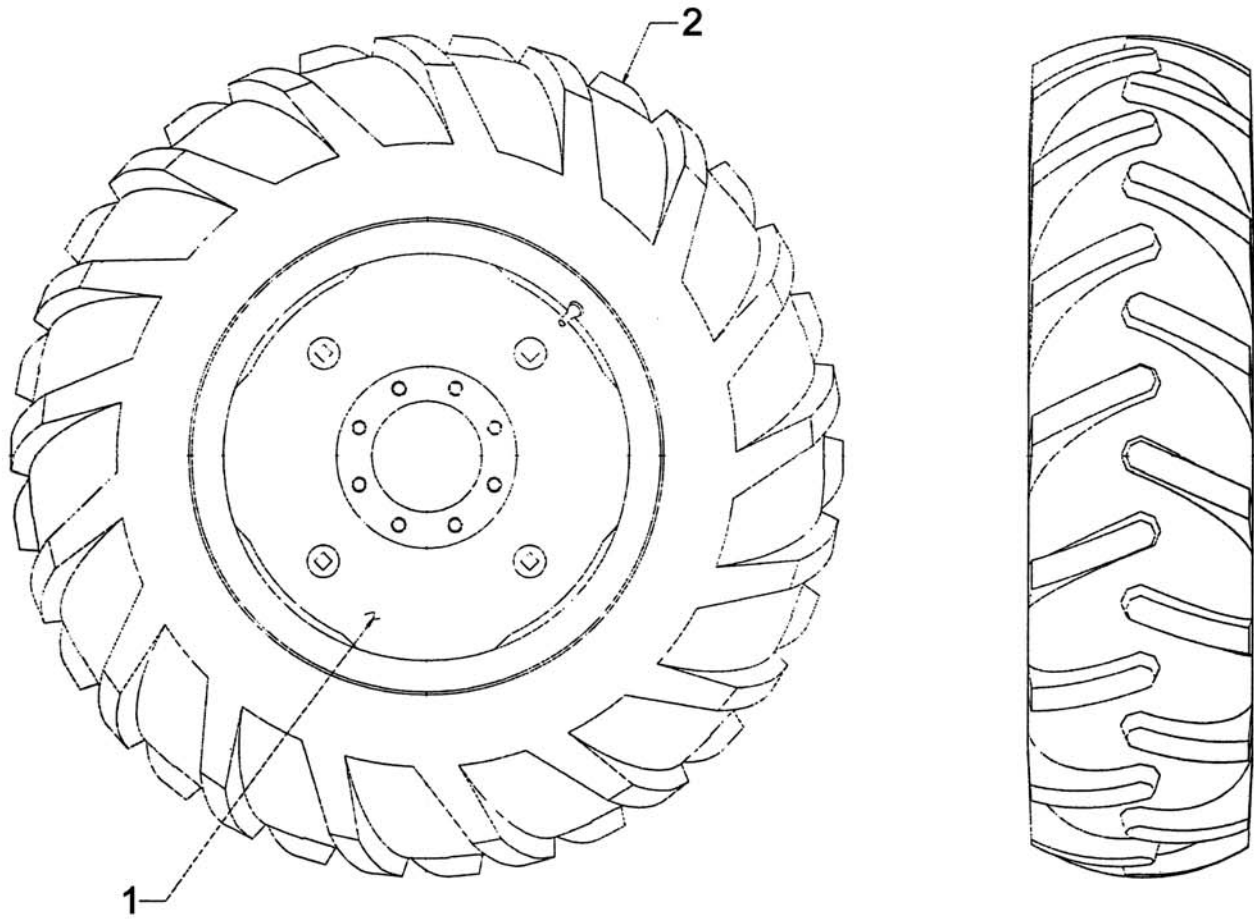
6672201 - THROTTLE ASSY-HAND

ITEM	PART #	QTY	DESCRIPTION	COMMENTS
2	6669544	1	THROTTLE-HAND	
3	6801418	1	DECAL-HAND THROTTLE	
4	6629575	1	INSTR-MTG,JOYSTICK	
5	6670539	2	SCREW	
6	6670540	2	SCREW	
7	6670541	2	SCREW	
8	6670542	2	NUT	
9	6670543	8	NUT	
10	6670544	3	TIE	
11	6670545	1	LEVER	
12	6670546	3	SWITCH	
13	6670547	1	BOOT	
14	6670548	1	BOOT	
15	6670549	1	BOOT	
16	6670550	5	SWITCH	
17	6670551	5	BOOT	
18	6670552	1	SHIELD	
19	6670553	1	SHIELD	
			ITEM 20 CANNOT BE PURCHASED INDIVIDUALLY BUT IS INCLUDED IN THE HAND THROTTLE. ITEM 20: HAND THROTTLE	



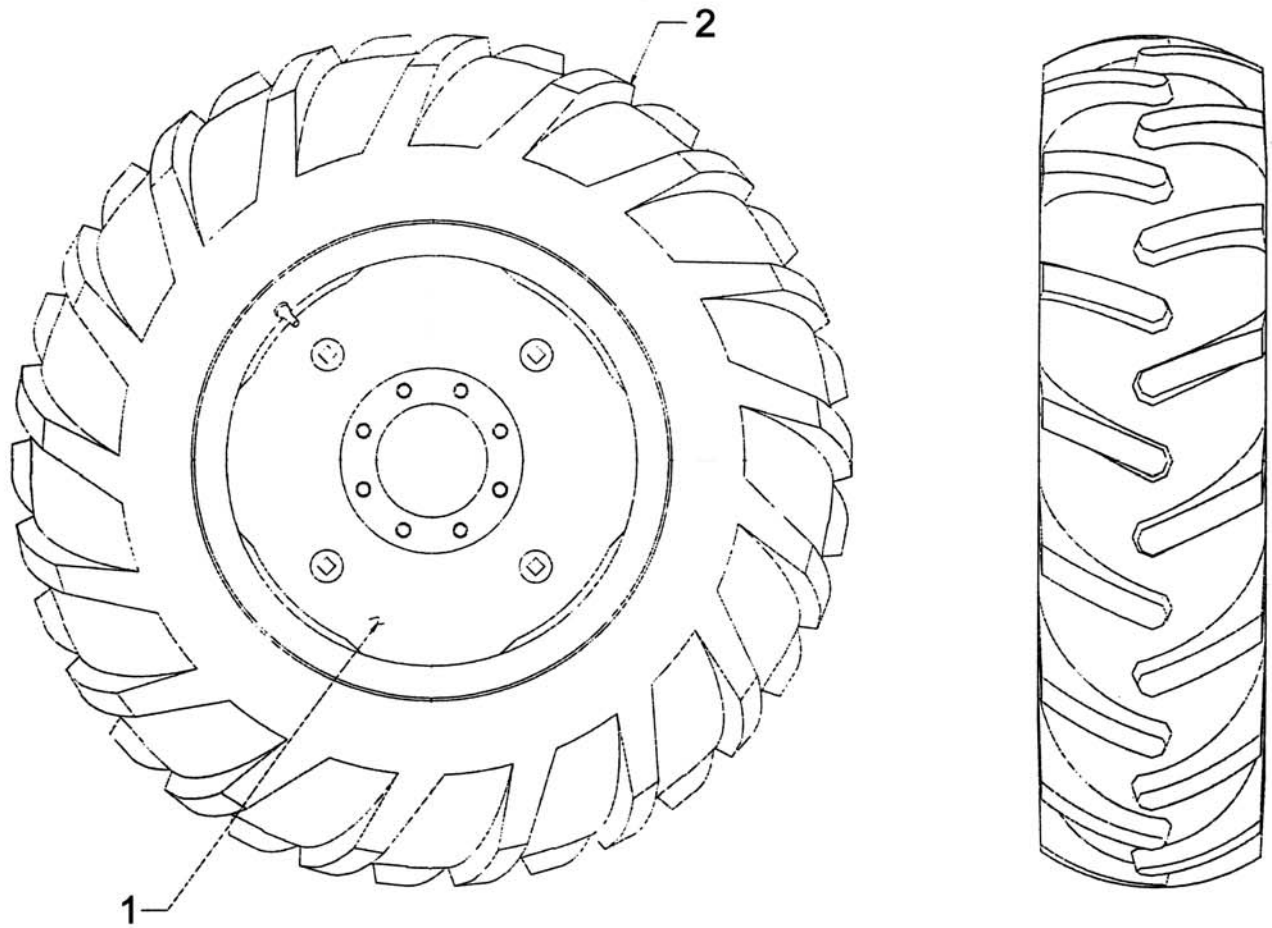
6618552 - TIRE ASM-9X24 W/24 X W8,

ITEM	PART #	QTY	DESCRIPTION	COMMENTS
1	6658533	1	WHEEL-24 X W8	
2	6665649	1	TIRE-9.00-24,8 PLY	



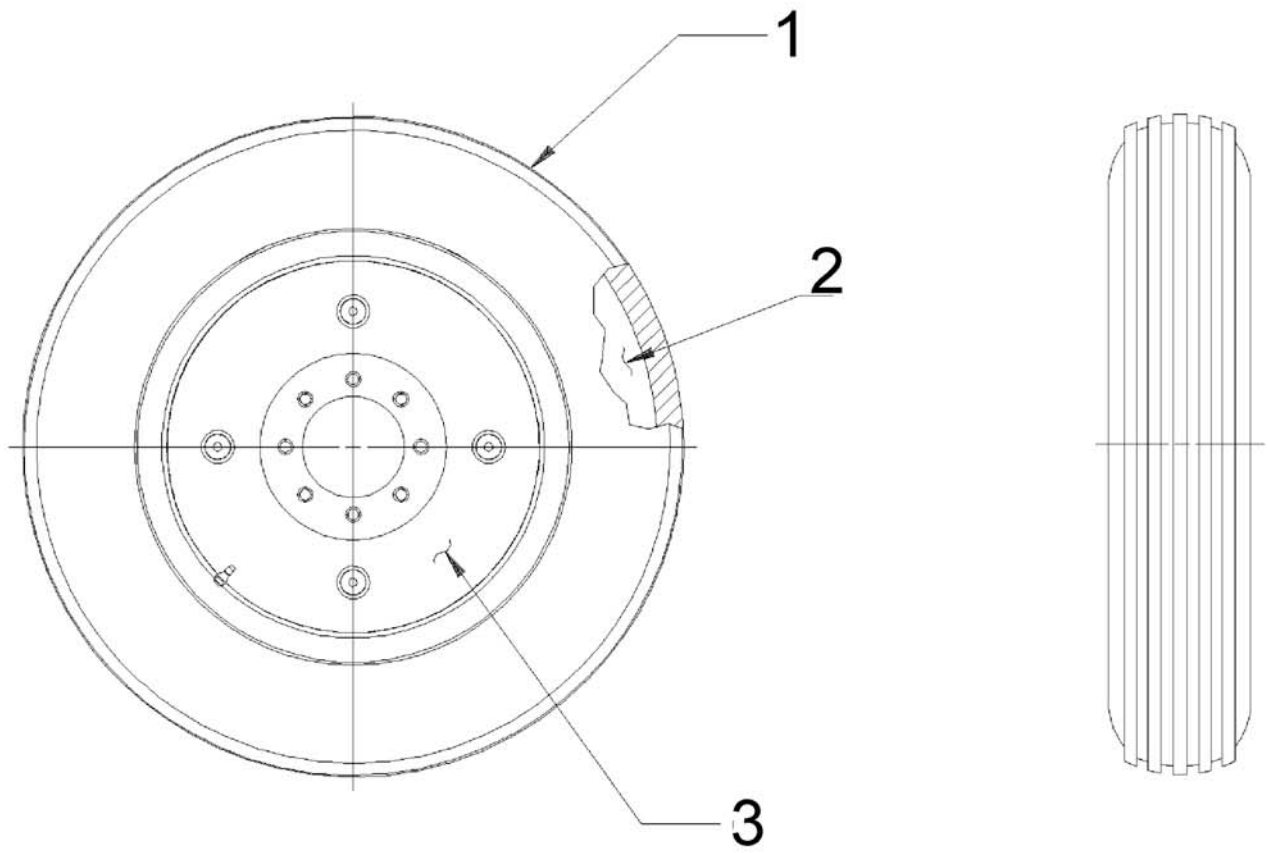
6802728 - TIRE ASM-12.4X24 W/24X10

ITEM	PART #	QTY	DESCRIPTION	COMMENTS
1	6670814	1	WHEEL-24 X 10 HD	
2	6670813	1	TIRE-12.4-24,12 PLY	



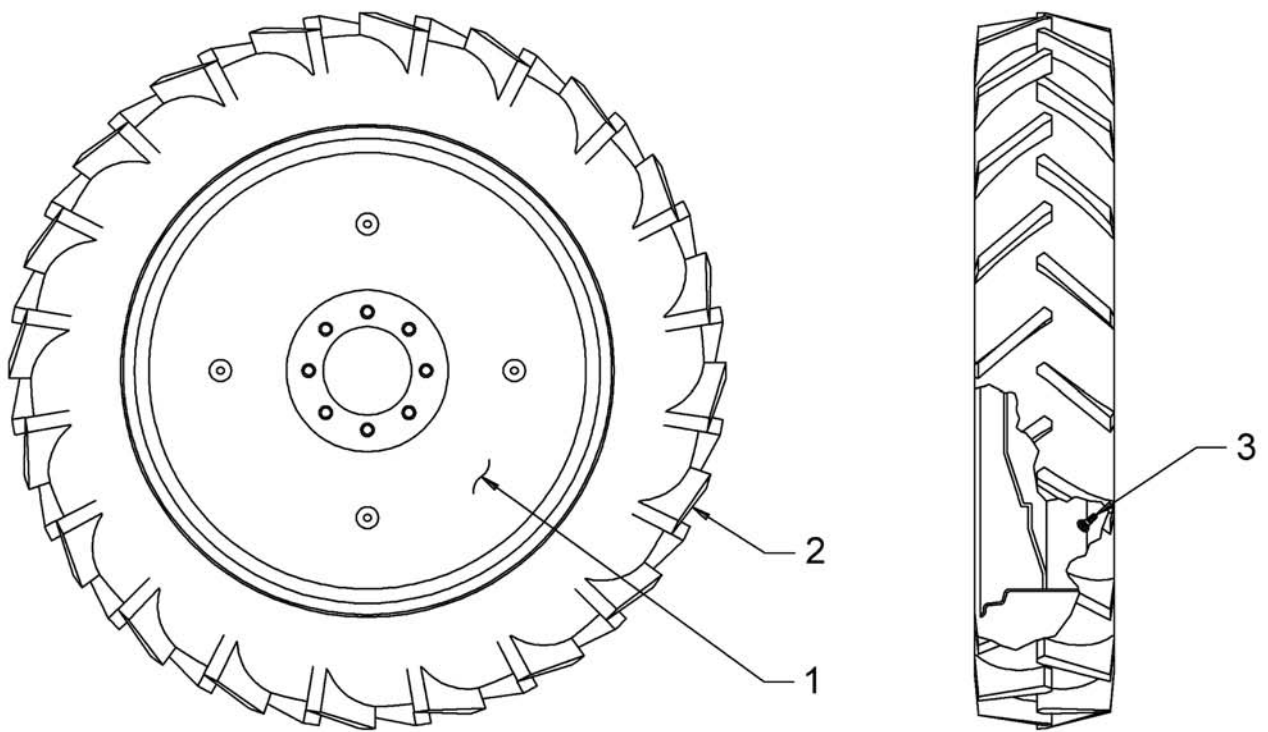
6802729 - TIRE ASM-12.4X24 W/24X10

ITEM	PART #	QTY	DESCRIPTION	COMMENTS
1	6670814	1	WHEEL-24 X 10 HD	
2	6670813	1	TIRE-12.4-24,12 PLY	



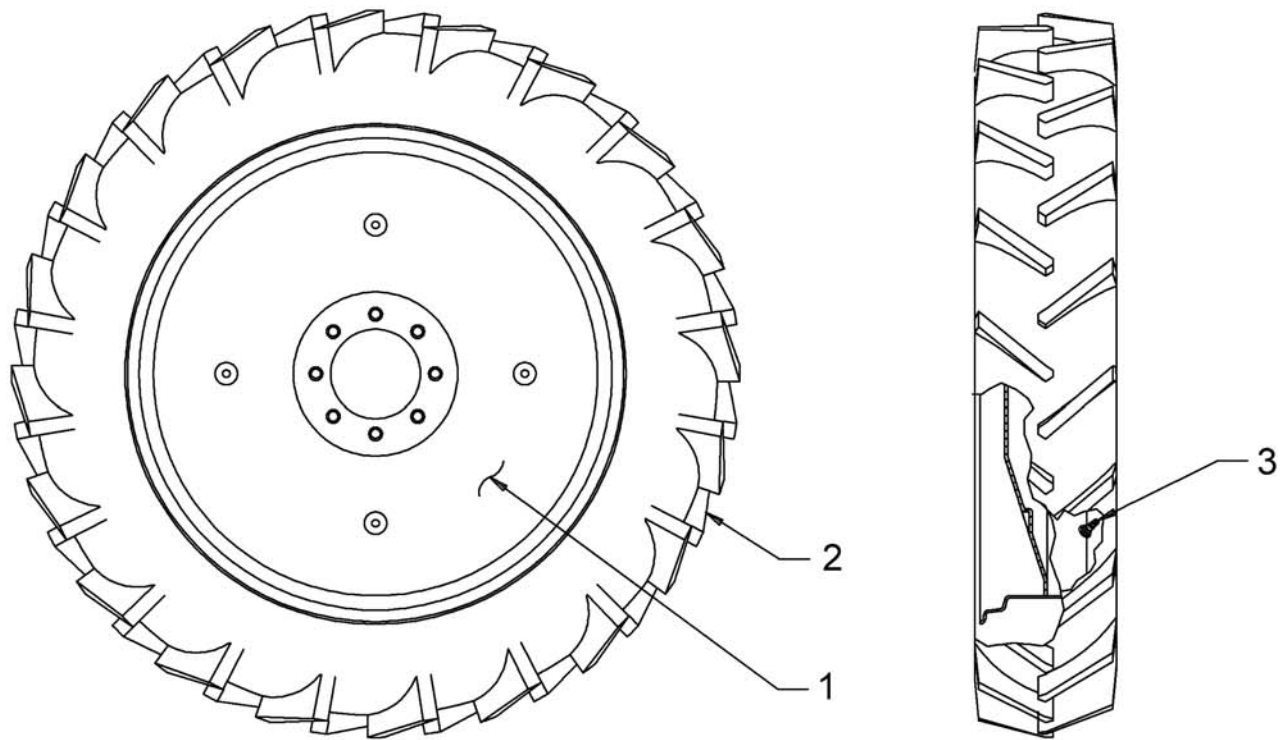
6800091 - TIRE ASM-7.5X24 W/24XW7,

ITEM	PART #	QTY	DESCRIPTION	COMMENTS
1	6800093	1	TIRE-7.5 X 24,6 PLY	
2	6800249	1	STEM-VALVE	
3	6802086	1	WHEEL-FRONT 24 X W7	



6800094 - TIRE ASSY-9.5X32 W/32XW8,

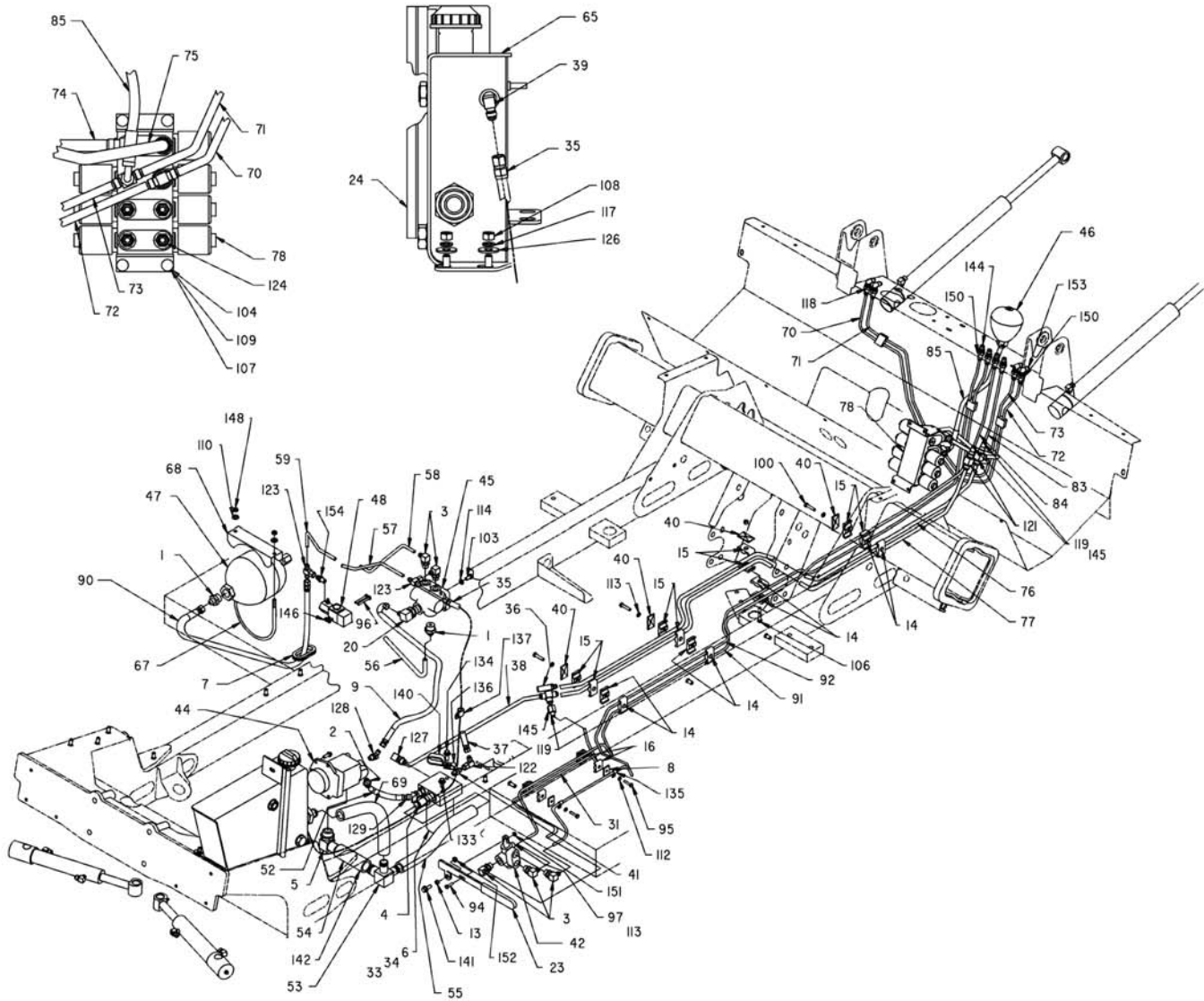
ITEM	PART #	QTY	DESCRIPTION	COMMENTS
1	6800096	1	WHEEL-REAR 32 X W8	
2	6672831	1	TIRE-230/95R32 KLEBER SUPER 3	
3	6673682	1	STEM-VALVE	



6800095 - TIRE ASM-9.5X32 /W32XW8,

ITEM	PART #	QTY	DESCRIPTION	COMMENTS
1	6800096	1	WHEEL-REAR 32 X W8	
2	6672831	1	TIRE-230/95R32 KLEBER SUPER 3	
3	6673682	1	STEM-VALVE	

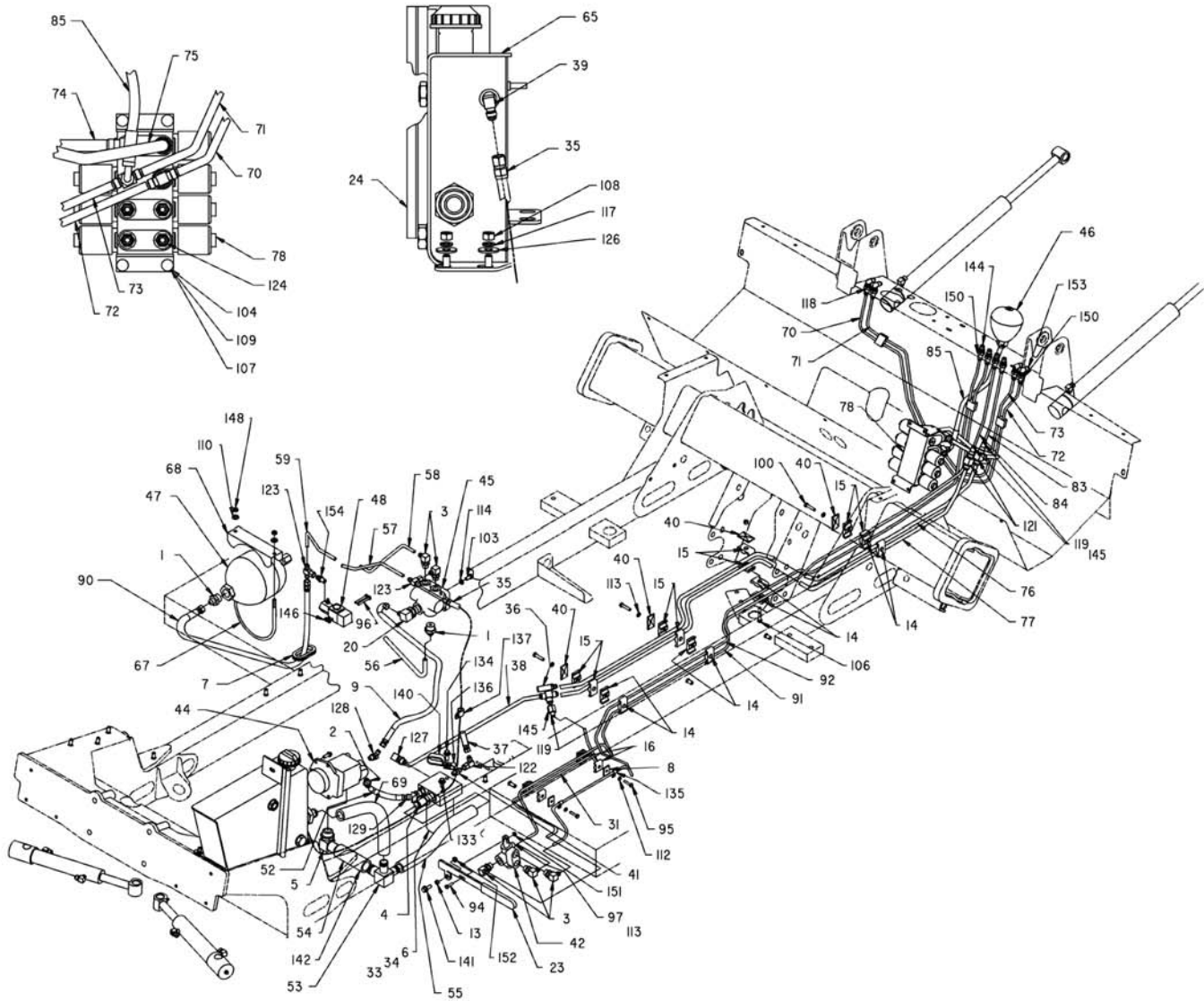
WR37559 - HYDRAULIC GROUP-CHASSIS,



WR37559 - HYDRAULIC GROUP-CHASSIS,

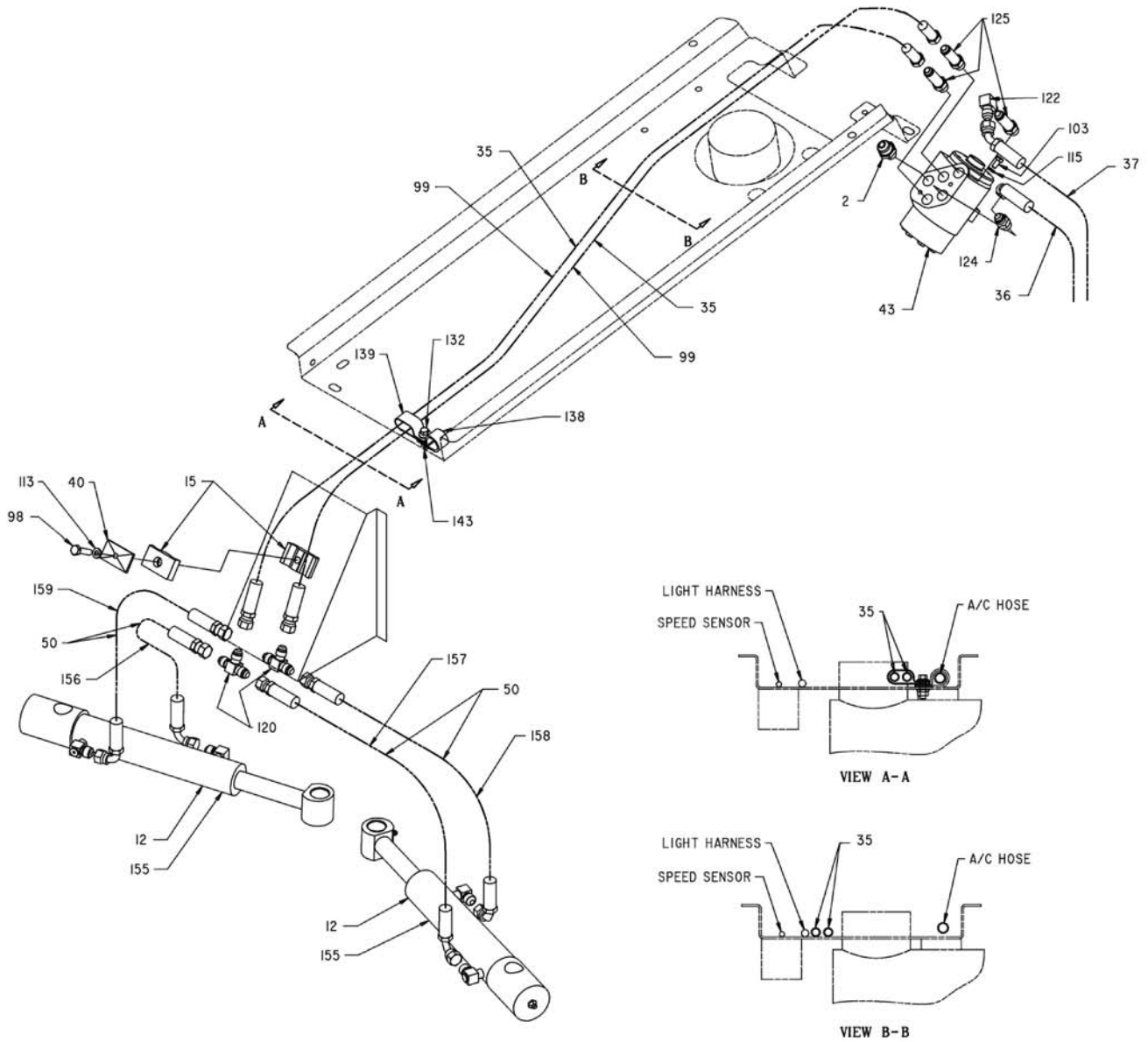
ITEM	PART #	QTY	DESCRIPTION	COMMENTS
0	6801845	-	SCHEMATIC-HYDRAULIC	
0	6801808	-	INSTL-HYDRAULIC	
0	WR37386	1	VALVE ASSY-CONTROL	SEE PAGE 3-2
0	6801342	1	HOSE-08FJX-06FJX90-06R1	
0	6597791	2	PIN-W/A	
0	6578209	1	CONNECTOR-CROSS	
0	WR562639	1	BOLT M6 1.00X12MM G8.8 ZN HHD	
0	WR37401	1	BRACKET-MTG,VALVE ASSY	
0	WR561834	3	ADAP STR-8FJX-6MJ	
0	WR122403	1	CYLINDER-HYD,2.00X20.00X1.00	SEE PAGE 3-4
0	WR122414	1	CYLINDER-HYD,2.00X20.00X1.00	SEE PAGE 3-5
0	WR122423	2	CYLINDER-HYD,1.75X6.19X1.00	SEE PAGE 3-6
0	WR122424	2	CYLINDER-HYD,1.75X16.84X1.00	SEE PAGE 3-7
0	WR561391	1	TEE 0.37FJIC SW X 0.37MJIC(2)	
0	WR559911	1	BOLT 0.31-18NCX 1.50 G5 ZN HHD	
0	WR125372	1	HOSE ASM-4X63.00 FJS/FJS90	
0	WR128112	1	ELBOW-8MJIC 45 X -6MB	
0	WR559148	1	ADAP STR 0.25MNPT X 0.37MJIC	
0	WR55416	8	NUT-LOCK,HYD TUBE,-06	
0	WR25752	4	SCREW-CAP HEX M8 X 16,	
0	WR55388	4	WASHER-PLAIN ST,8MM	
0	WR32254	1	NUT-TOPLOCK,M8-1.25	
0	WR552194	2	ADAP STR 0.75MO-R X 0.50MJIC	
0	WR50830	1	CLAMP-SUPPORT,CUSHION,	
0	WR550493	5	WASHER LK 0.25 ZN REG	
0	WR55041	1	SCREW-CAP HEX M8 X 65	
0	WR519114	2	TUBE END NIPPLE -6	
0	WR519123	1	TEE-RUN,STR THD -6	
0	WR520967	1	BOLT-M8-1.25X25,CL8.8,ZN FLG	
0	WR550175	3	BOLT 0.37-16NCX 1.00 G5 ZN HHD	
0	WR523227	1	ADAPTER-45D,-6FJIC SWX-6MJIC	
2	WR562372	1	ADAP STR 0.37MO-R X 0.50MJIC	
4	6715715	1	FITTING-STR BEADED	
5	1312337	1	ADAPTER	
6	6515541	1	FILTER-HYD	
7	6533975	1	GROMMET	
8	6535422	5	WASHER-CLAMP	
9	6536129	1	HOSE-06FJX-06FJX90-06R1	
13	6562619	1	BUSHING-THROTTLE	
14	6577696	12	CLAMP-TUBELINE	
15	6577697	10	CLAMP-TUBLINE IN RECEIVE AS 1/2 IN	
16	6578870	10	TUBELINE-CLAMP "RECEIVE AS 1/2	
20	6589193	1	ELBOW	
23	6597879	1	GRIP ASSY-HANDLE	
24	6597894	1	EDGE	
27	6618196	1	HOSE-06FJX-06FJX90-04R1	
28	6618197	2	HOSE-06FJX(20-04R2 X028.4	
31	6803582	1	TUBELINE ASSY	
32	WR562496	4	TIE CABLE 15.0 .18-4.00 BLACK	
33	6626606	1	BLOCK-FILTER PORT	
34	6626650	1	ADAPTER-FILTER	
35	6802800	3	HOSE-06FJX(2)-06R1 X073	
36	6626697	1	HOSE-08MJ-06FJX90-06R1	
37	6627634	1	HOSE-06FJX-06FJX45-06R1	
38	6628163	1	TUBELINE	
39	WR562401	1	ELBOW -6MB90X-6MJ	
40	6652521	6	COVER-PLATE	
41	6664332	1	VALVE-CHECK,INLINE	
42	6664973	1	VALVE-FLOAT,2 POSITION	SEE PAGE 3-8
43	6667346	1	VALVE-STEERING	SEE PAGE 3-9
44	6668855	1	PUMP-HYD	SEE PAGE 3-10
45	6669628	1	VALVE-CHARGE	
46	6669671	1	ACCUMULATOR	
47	6670147	1	ACCUMULATOR	
48	6670210	1	SWITCH-PRESSURE	
50	6702079	4	HOSE-06FJX-06FJX90-06R1	
52	6800357	1	HOSE-08FJX(2)-08R1 X017.7	
53	6800927	1	TEE-FITTING,OFFET	
54	6800928	1	HOSE	

WR37559 - HYDRAULIC GROUP-CHASSIS,



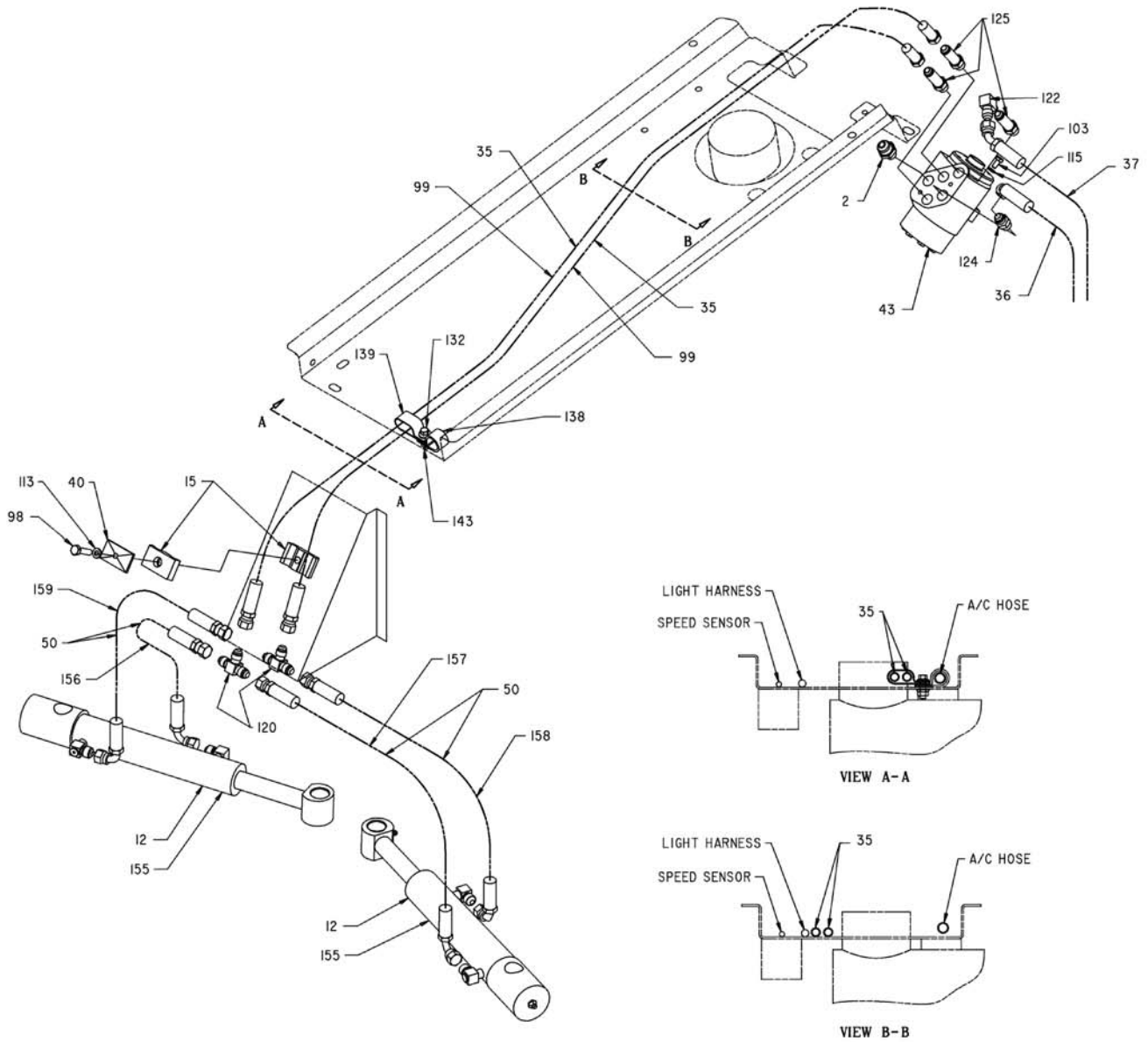
WR37559 - HYDRAULIC GROUP-CHASSIS,

ITEM	PART #	QTY	DESCRIPTION	COMMENTS
55	6800930	1	HOSE	
56	6801007	1	TUBELINE	
57	6801008	1	TUBELINE	
58	6801009	1	TUBELINE	
59	6801010	1	TUBELINE	
64	6801683	2	HOSE-06FJX-06FX90-04R2	
65	6801744	1	TANK ASSY-HYD	SEE PAGE 3-11
67	6801751	1	U BOLT	
68	6801752	1	BRACKET-CLAMP	
69	6801786	1	HOSE	
70	WR37397	1	TUBE ASSY-LOWER,RH 4000	
71	WR37398	1	TUBE ASSY-RAISE,RH 4000	
72	WR37399	1	TUBE ASSY-LOWER,RH 4000	
73	WR37400	1	TUBE ASSY-RAISE,LH 4000	
74	WR37374	1	TUBE ASSY-TANK,4000	
75	WR37375	1	TUBE ASSY-PUMP,4000	
76	6801843	1	TUBELINE	
77	6801844	1	TUBELINE	
80	6801931	1	HOSE-06FJX-06FJX90-04R1	
82	6801933	1	HOSE-06FJX-06FJX90-04R1	
83	6801935	1	TUBELINE	
84	6801936	1	TUBELINE	
90	6802465	1	HOSE-08FJX-06FJX-06R1	
91	6802537	1	TUBELINE	
92	WR124390	1	TUBELINE	
94	WR550698	1	BOLT 0.25-20NCX 1.00 G5 ZN HHD	
95	WR558788	5	BOLT 0.25-20NCX 1.25 G5 ZN HHD	
96	WR551279	2	BOLT.25-20NCX 2G5 ZN HHD	
97	WR550183	2	BOLT 0.31-18NCX 0.75 G5 ZN HHD	
100	WR561251	3	BOLT 0.31-18NCX 2.25 G5 ZN HHD	
101	WR561384	1	BOLT 0.31-18NCX 2.50 G5 ZN HHD	
103	WR551503	3	BOLT 0.37-16NCX 0.75 G5 ZN HHD	
107	WR33851	4	NUT-HEX,METRIC,M8 X 1.25	
108	WR50838	4	NUT-HEX,METRIC MIO-1.5	
110	WR55075	2	WASHER-PLAIN,10MM ID,LC,	
113	WR550205	5	WASHER LK 0.31 ZN REG	
114	WR550191	3	WASHER LK 0.37 ZN REG	
115	WR55104	4	WASHER-LOCK SPRING,6MM ID	
117	WR55106	4	WASHER-LOCK SPRING,10 MM	
120	WR553514	2	TEE 0.37 MJIC (3)	
121	WR562346	2	TEE -8MJ	
122	WR561629	4	ELBOW -6FJS90X -6MJ	
123	WR562709	2	TEE 0.37MJIC(2)X0.37FJIC SW	
124	WR560693	5	ADAP STR 0.37MO-R X 0.37MJIC	
125	WR122830	3	ADAP STR .37MORX.37MJIC LONG	
126	WR55158	4	WASHER-FLAT,10MM ID,	
127	WR551112	1	ELBOW 90D 0.50MO-R X 0.50MJIC	
129	WR553891	1	ELBOW 45D 0.50MO-R X 0.50MJIC	
133	WR55214	1	SCREW-HEX FLG,M10X1.5X20 CL8.8	
134	WR55215	1	SCREW-HEX FLG,M10X1.5X25 CL8.8	
135	WR55226	2	CLAMP-SUPPORT CUSHION,	
136	WR55232	1	CLAMP-SUPPORT CUSHION,	
137	WR26037	1	CLAMP-SUPPORT CUSH R/B 562237	
138	WR55236	1	CLAMP-SUPPORT CUSHION,	
140	WR55248	1	CLAMP-SUPPORT CUSHION DBL	
141	WR10254	1	SCREW-WZLK FLG 3/8 NC X 1	
142	WR561213	4	CLAMP 0.81-1.50 HOSE 16HS	
143	WR55410	1	NUT-FLANGE,M8 X 1.25 CL8,	
144	WR521798	4	UNION-BHD,.38MJIC	
145	WR13067	3	NUT-TUBE, -08	
146	WR55351	2	NUT-TOPLOCK, 1/4-20UNC G8	
148	WR55353	2	NUT-TOPLOCK, 3/8-16UNC G8	
151	WR55365	1	NUT-TOPLOCK, 1/4-20UNC,	
152	WR55366	1	NUT-TOPLOCK, 3/8-16UNC,	
153	WR514803	4	ELBOW 90D 0.37JICX0.37JIC BHD	
162	WR562229	1	ADAP STR-8MJBHX-8MJ	
163	WR55454	1	O RING-08MB,90 DUR	
164	WR55417	1	NUT-LOCK,HYD TUBE,-08	



WR37559 - HYDRAULIC GROUP-CHASSIS,

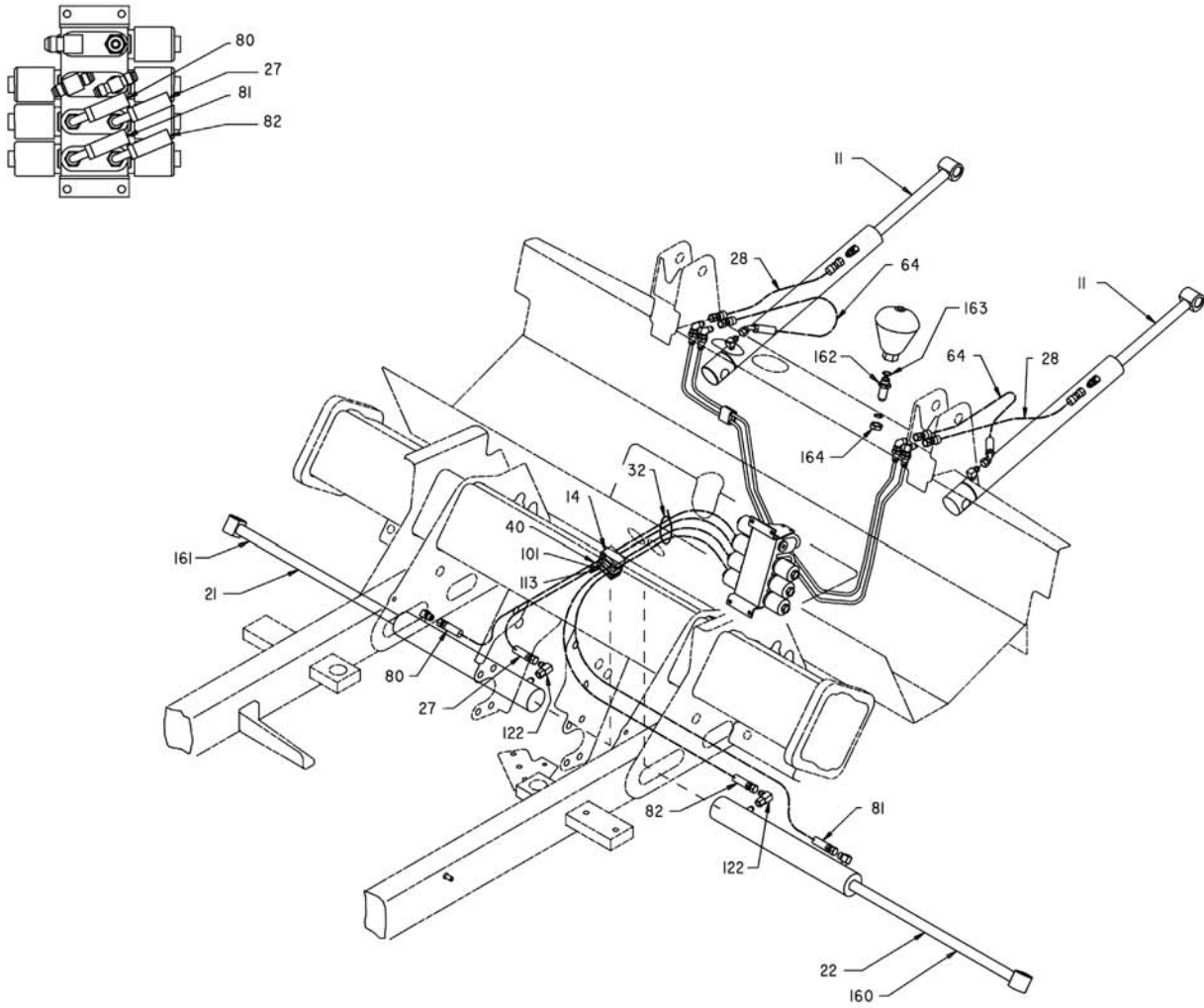
ITEM	PART #	QTY	DESCRIPTION	COMMENTS
0	WR37386	1	VALVE ASSY-CONTROL	SEE PAGE 3-2
0	WR37401	1	BRACKET-MTG,VALVE ASSY	
0	WR523227	1	ADAPTER-45D,-6FJIC SWX-6MJIC	
0	WR519114	2	TUBE END NIPPLE -6	
0	WR50830	1	CLAMP-SUPPORT,CUSHION,	
0	WR55416	8	NUT-LOCK,HYD TUBE,-06	
0	6801808	-	INSTL-HYDRAULIC	
0	6801845	-	SCHEMATIC-HYDRAULIC	
0	WR552194	2	ADAP STR 0.75MO-R X 0.50MJIC	
0	WR25752	4	SCREW-CAP HEX M8 X 16,	
0	WR32254	1	NUT-TOPLOCK,M8-1.25	
0	WR520967	1	BOLT-M8-1.25X25,CL8.8,ZN FLG	
0	WR55041	1	SCREW-CAP HEX M8 X 65	
0	WR550493	5	WASHER LK 0.25 ZN REG	
0	WR55388	4	WASHER-PLAIN ST,8MM	
0	WR559911	1	BOLT 0.31-18NCX 1.50 G5 ZN HHD	
0	WR562639	1	BOLT M6 1.00X12MM G8.8 ZN HHD	
0	WR122414	1	CYLINDER-HYD,2.00X20.00X1.00	SEE PAGE 3-5
0	WR122403	1	CYLINDER-HYD,2.00X20.00X1.00	SEE PAGE 3-4
0	WR122423	2	CYLINDER-HYD,1.75X6.19X1.00	SEE PAGE 3-6
0	WR122424	2	CYLINDER-HYD,1.75X16.84X1.00	SEE PAGE 3-7
0	WR550175	3	BOLT 0.37-16NCX 1.00 G5 ZN HHD	
0	WR125372	1	HOSE ASM-4X63.00 FJS/FJS90	
0	6597791	2	PIN-W/A	
0	6801342	1	HOSE-08FJX-06FJX90-06R1	
0	6578209	1	CONNECTOR-CROSS	
0	WR128112	1	ELBOW-8MJIC 45 X -6MB	
0	WR561391	1	TEE 0.37FJIC SW X 0.37MJIC(2)	
0	WR559148	1	ADAP STR 0.25MNPT X 0.37MJIC	
0	WR561834	3	ADAP STR-8FJX-6MJ	
0	WR519123	1	TEE-RUN,STR THD -6	
2	WR562372	1	ADAP STR 0.37MO-R X 0.50MJIC	
4	6715715	1	FITTING-STR BEADED	
5	1312337	1	ADAPTER	
6	6515541	1	FILTER-HYD	
7	6533975	1	GROMMET	
8	6535422	5	WASHER-CLAMP	
9	6536129	1	HOSE-06FJX-06FJX90-06R1	
13	6562619	1	BUSHING-THROTTLE	
14	6577696	12	CLAMP-TUBELINE	
15	6577697	10	CLAMP-TUBLINE IN RECEIVE AS 1/2 IN	
16	6578870	10	TUBELINE-CLAMP "RECEIVE AS 1/2	
20	6589193	1	ELBOW	
23	6597879	1	GRIP ASSY-HANDLE	
24	6597894	1	EDGE	
27	6618196	1	HOSE-06FJX-06FJX90-04R1	
28	6618197	2	HOSE-06FJX(20-04R2 X028.4	
31	6803582	1	TUBELINE ASSY	
32	WR562496	4	TIE CABLE 15.0 .18-4.00 BLACK	
33	6626606	1	BLOCK-FILTER PORT	
34	6626650	1	ADAPTER-FILTER	
35	6802800	3	HOSE-06FJX(2)-06R1 X073	
36	6626697	1	HOSE-08MJ-06FJX90-06R1	
37	6627634	1	HOSE-06FJX-06FJX45-06R1	
38	6628163	1	TUBELINE	
39	WR562401	1	ELBOW -6MB90X-6MJ	
40	6652521	6	COVER-PLATE	
41	6664332	1	VALVE-CHECK,INLINE	
42	6664973	1	VALVE-FLOAT,2 POSITION	SEE PAGE 3-8
43	6667346	1	VALVE-STEERING	SEE PAGE 3-9
44	6668855	1	PUMP-HYD	SEE PAGE 3-10
45	6669628	1	VALVE-CHARGE	
46	6669671	1	ACCUMULATOR	
47	6670147	1	ACCUMULATOR	
48	6670210	1	SWITCH-PRESSURE	
50	6702079	4	HOSE-06FJX-06FJX90-06R1	
52	6800357	1	HOSE-08FJX(2)-08R1 X017.7	
53	6800927	1	TEE-FITTING,OFFET	
54	6800928	1	HOSE	



WR37559 - HYDRAULIC GROUP-CHASSIS,

ITEM	PART #	QTY	DESCRIPTION	COMMENTS
55	6800930	1	HOSE	
56	6801007	1	TUBELINE	
57	6801008	1	TUBELINE	
58	6801009	1	TUBELINE	
59	6801010	1	TUBELINE	
64	6801683	2	HOSE-06FJX-06FX90-04R2	
65	6801744	1	TANK ASSY-HYD	SEE PAGE 3-11
67	6801751	1	U BOLT	
68	6801752	1	BRACKET-CLAMP	
69	6801786	1	HOSE	
70	WR37397	1	TUBE ASSY-LOWER,RH 4000	
71	WR37398	1	TUBE ASSY-RAISE,RH 4000	
72	WR37399	1	TUBE ASSY-LOWER,RH 4000	
73	WR37400	1	TUBE ASSY-RAISE,LH 4000	
74	WR37374	1	TUBE ASSY-TANK,4000	
75	WR37375	1	TUBE ASSY-PUMP,4000	
76	6801843	1	TUBELINE	
77	6801844	1	TUBELINE	
80	6801931	1	HOSE-06FJX-06FJX90-04R1	
82	6801933	1	HOSE-06FJX-06FJX90-04R1	
83	6801935	1	TUBELINE	
84	6801936	1	TUBELINE	
90	6802465	1	HOSE-08FJX-06FJX-06R1	
91	6802537	1	TUBELINE	
92	WR124390	1	TUBELINE	
94	WR550698	1	BOLT 0.25-20NCX 1.00 G5 ZN HHD	
95	WR558788	5	BOLT 0.25-20NCX 1.25 G5 ZN HHD	
96	WR551279	2	BOLT.25-20NCX 2G5 ZN HHD	
97	WR550183	2	BOLT 0.31-18NCX 0.75 G5 ZN HHD	
100	WR561251	3	BOLT 0.31-18NCX 2.25 G5 ZN HHD	
101	WR561384	1	BOLT 0.31-18NCX 2.50 G5 ZN HHD	
103	WR551503	3	BOLT 0.37-16NCX 0.75 G5 ZN HHD	
107	WR33851	4	NUT-HEX,METRIC,M8 X 1.25	
108	WR50838	4	NUT-HEX,METRIC MIO-1.5	
110	WR55075	2	WASHER-PLAIN,10MM ID,LC,	
113	WR550205	5	WASHER LK 0.31 ZN REG	
114	WR550191	3	WASHER LK 0.37 ZN REG	
115	WR55104	4	WASHER-LOCK SPRING,6MM ID	
117	WR55106	4	WASHER-LOCK SPRING,10 MM	
120	WR553514	2	TEE 0.37 MJIC (3)	
121	WR562346	2	TEE -8MJ	
122	WR561629	4	ELBOW -6FJS90X -6MJ	
123	WR562709	2	TEE 0.37MJIC(2)X0.37FJIC SW	
124	WR560693	5	ADAP STR 0.37MO-R X 0.37MJIC	
125	WR122830	3	ADAP STR .37MORX.37MJIC LONG	
126	WR55158	4	WASHER-FLAT,10MM ID,	
127	WR551112	1	ELBOW 90D 0.50MO-R X 0.50MJIC	
129	WR553891	1	ELBOW 45D 0.50MO-R X 0.50MJIC	
133	WR55214	1	SCREW-HEX FLG,M10X1.5X20 CL8.8	
134	WR55215	1	SCREW-HEX FLG,M10X1.5X25 CL8.8	
135	WR55226	2	CLAMP-SUPPORT CUSHION,	
136	WR55232	1	CLAMP-SUPPORT CUSHION,	
137	WR26037	1	CLAMP-SUPPORT CUSH R/B 562237	
138	WR55236	1	CLAMP-SUPPORT CUSHION,	
140	WR55248	1	CLAMP-SUPPORT CUSHION DBL	
141	WR10254	1	SCREW-WZLK FLG 3/8 NC X 1	
142	WR561213	4	CLAMP 0.81-1.50 HOSE 16HS	
143	WR55410	1	NUT-FLANGE,M8 X 1.25 CL8,	
144	WR521798	4	UNION-BHD,.38MJIC	
145	WR13067	3	NUT-TUBE, -08	
146	WR55351	2	NUT-TOPLOCK, 1/4-20UNC G8	
148	WR55353	2	NUT-TOPLOCK, 3/8-16UNC G8	
151	WR55365	1	NUT-TOPLOCK, 1/4-20UNC,	
152	WR55366	1	NUT-TOPLOCK, 3/8-16UNC,	
153	WR514803	4	ELBOW 90D 0.37JICX0.37JIC BHD	
162	WR562229	1	ADAP STR-8MJBHX-8MJ	
163	WR55454	1	O RING-08MB,90 DUR	
164	WR55417	1	NUT-LOCK,HYD TUBE,-08	

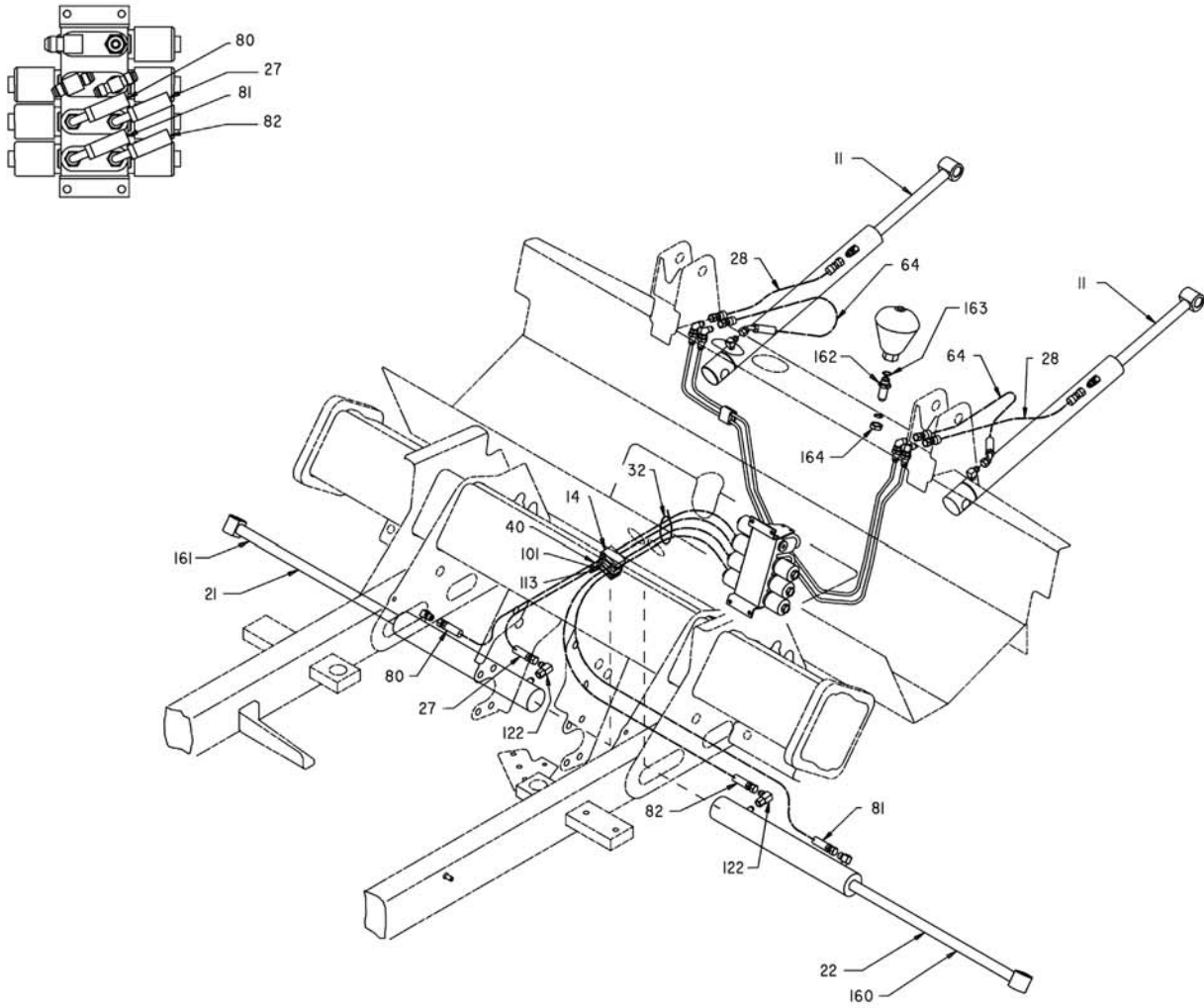
WR37559 - HYDRAULIC GROUP-CHASSIS,



WR37559 - HYDRAULIC GROUP-CHASSIS,

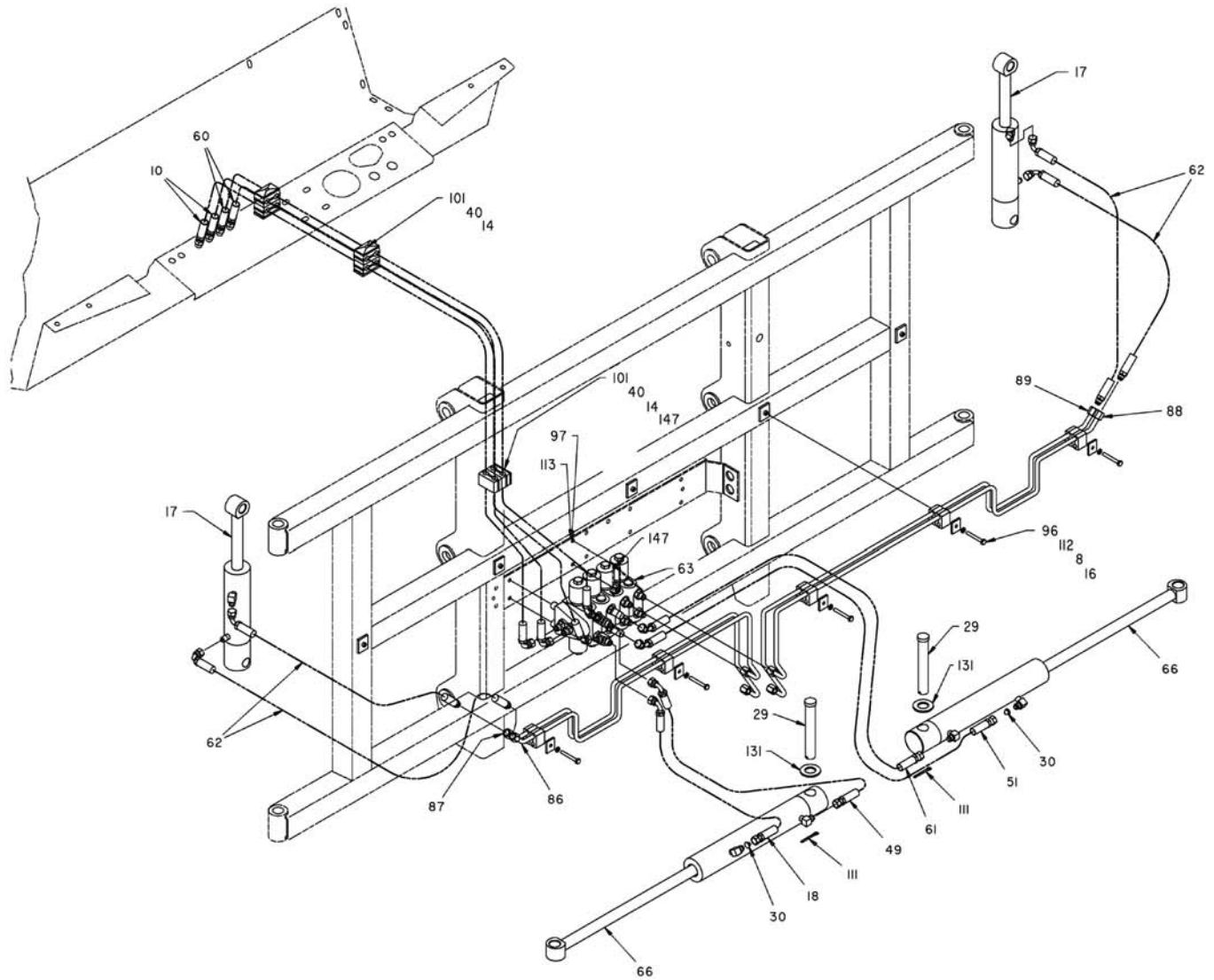
ITEM	PART #	QTY	DESCRIPTION	COMMENTS
0	6801845	-	SCHEMATIC-HYDRAULIC	
0	6801808	-	INSTL-HYDRAULIC	
0	WR37386	1	VALVE ASSY-CONTROL	SEE PAGE 3-2
0	6801342	1	HOSE-08FJX-06FJX90-06R1	
0	6597791	2	PIN-W/A	
0	6578209	1	CONNECTOR-CROSS	
0	WR562639	1	BOLT M6 1.00X12MM G8.8 ZN HHD	
0	WR37401	1	BRACKET-MTG,VALVE ASSY	
0	WR561834	3	ADAP STR-8FJX-6MJ	
0	WR122403	1	CYLINDER-HYD,2.00X20.00X1.00	SEE PAGE 3-4
0	WR122414	1	CYLINDER-HYD,2.00X20.00X1.00	SEE PAGE 3-5
0	WR122423	2	CYLINDER-HYD,1.75X6.19X1.00	SEE PAGE 3-6
0	WR122424	2	CYLINDER-HYD,1.75X16.84X1.00	SEE PAGE 3-7
0	WR561391	1	TEE 0.37FJIC SW X 0.37MJIC(2)	
0	WR559911	1	BOLT 0.31-18NCX 1.50 G5 ZN HHD	
0	WR125372	1	HOSE ASM-4X63.00 FJS/FJS90	
0	WR128112	1	ELBOW-8MJIC 45 X -6MB	
0	WR559148	1	ADAP STR 0.25MNPT X 0.37MJIC	
0	WR55416	8	NUT-LOCK,HYD TUBE,-06	
0	WR25752	4	SCREW-CAP HEX M8 X 16,	
0	WR55388	4	WASHER-PLAIN ST,8MM	
0	WR32254	1	NUT-TOPLOCK,M8-1.25	
0	WR552194	2	ADAP STR 0.75MO-R X 0.50MJIC	
0	WR50830	1	CLAMP-SUPPORT,CUSHION,	
0	WR550493	5	WASHER LK 0.25 ZN REG	
0	WR55041	1	SCREW-CAP HEX M8 X 65	
0	WR519114	2	TUBE END NIPPLE -6	
0	WR519123	1	TEE-RUN,STR THD -6	
0	WR520967	1	BOLT-M8-1.25X25,CL8.8,ZN FLG	
0	WR550175	3	BOLT 0.37-16NCX 1.00 G5 ZN HHD	
0	WR523227	1	ADAPTER-45D,-6FJIC SWX-6MJIC	
2	WR562372	1	ADAP STR 0.37MO-R X 0.50MJIC	
4	6715715	1	FITTING-STR BEADED	
5	1312337	1	ADAPTER	
6	6515541	1	FILTER-HYD	
7	6533975	1	GROMMET	
8	6535422	5	WASHER-CLAMP	
9	6536129	1	HOSE-06FJX-06FJX90-06R1	
13	6562619	1	BUSHING-THROTTLE	
14	6577696	12	CLAMP-TUBELINE	
15	6577697	10	CLAMP-TUBLINE IN RECEIVE AS 1/2 IN	
16	6578870	10	TUBELINE-CLAMP "RECEIVE AS 1/2	
20	6589193	1	ELBOW	
23	6597879	1	GRIP ASSY-HANDLE	
24	6597894	1	EDGE	
27	6618196	1	HOSE-06FJX-06FJX90-04R1	
28	6618197	2	HOSE-06FJX(20-04R2 X028.4	
31	6803582	1	TUBELINE ASSY	
32	WR562496	4	TIE CABLE 15.0 .18-4.00 BLACK	
33	6626606	1	BLOCK-FILTER PORT	
34	6626650	1	ADAPTER-FILTER	
35	6802800	3	HOSE-06FJX(2)-06R1 X073	
36	6626697	1	HOSE-08MJ-06FJX90-06R1	
37	6627634	1	HOSE-06FJX-06FJX45-06R1	
38	6628163	1	TUBELINE	
39	WR562401	1	ELBOW -6MB90X-6MJ	
40	6652521	6	COVER-PLATE	
41	6664332	1	VALVE-CHECK,INLINE	
42	6664973	1	VALVE-FLOAT,2 POSITION	SEE PAGE 3-8
43	6667346	1	VALVE-STEERING	SEE PAGE 3-9
44	6668855	1	PUMP-HYD	SEE PAGE 3-10
45	6669628	1	VALVE-CHARGE	
46	6669671	1	ACCUMULATOR	
47	6670147	1	ACCUMULATOR	
48	6670210	1	SWITCH-PRESSURE	
50	6702079	4	HOSE-06FJX-06FJX90-06R1	
52	6800357	1	HOSE-08FJX(2)-08R1 X017.7	
53	6800927	1	TEE-FITTING,OFFET	
54	6800928	1	HOSE	

WR37559 - HYDRAULIC GROUP-CHASSIS,



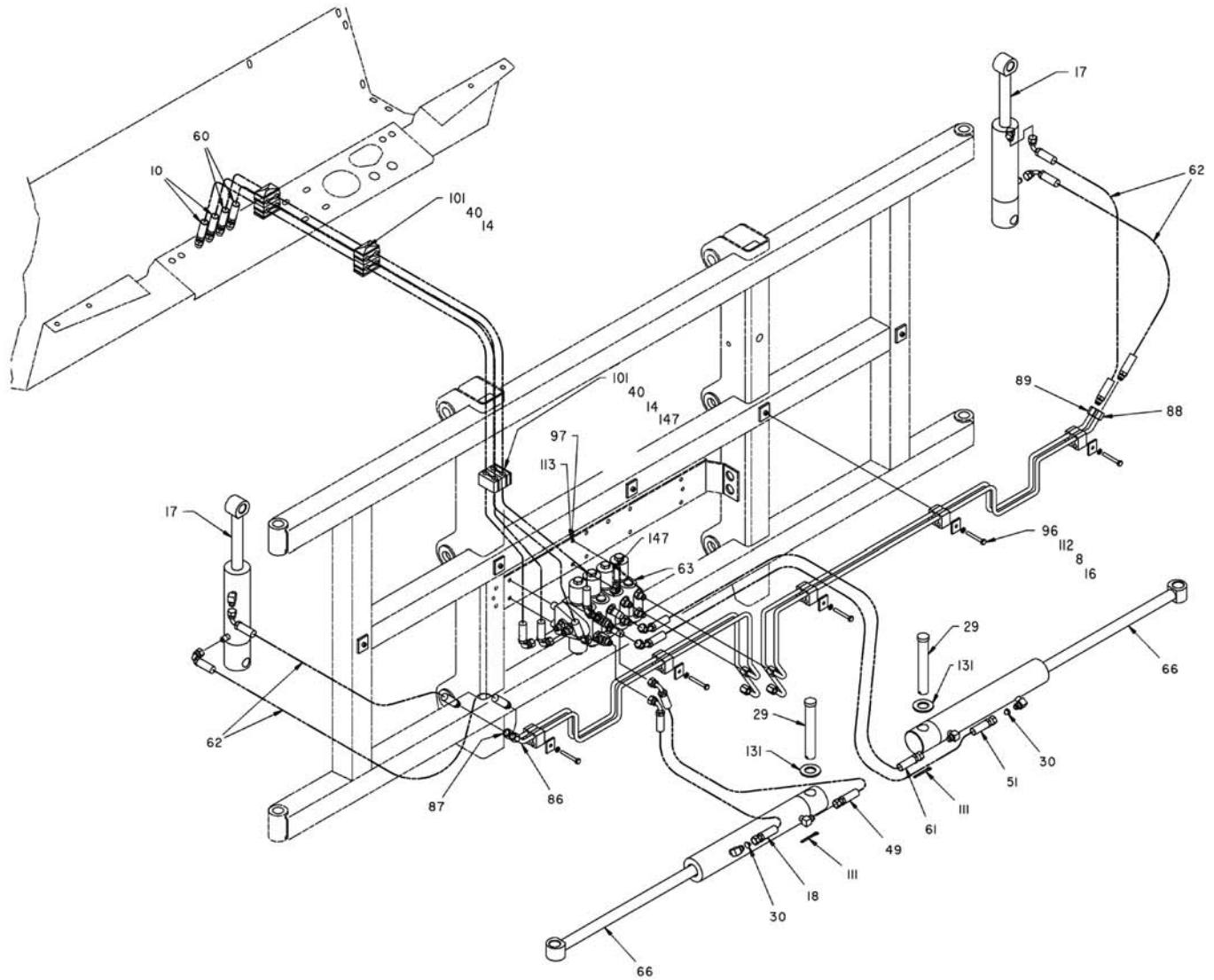
WR37559 - HYDRAULIC GROUP-CHASSIS,

ITEM	PART #	QTY	DESCRIPTION	COMMENTS
55	6800930	1	HOSE	
56	6801007	1	TUBELINE	
57	6801008	1	TUBELINE	
58	6801009	1	TUBELINE	
59	6801010	1	TUBELINE	
64	6801683	2	HOSE-06FJX-06FX90-04R2	
65	6801744	1	TANK ASSY-HYD	SEE PAGE 3-11
67	6801751	1	U BOLT	
68	6801752	1	BRACKET-CLAMP	
69	6801786	1	HOSE	
70	WR37397	1	TUBE ASSY-LOWER,RH 4000	
71	WR37398	1	TUBE ASSY-RAISE,RH 4000	
72	WR37399	1	TUBE ASSY-LOWER,RH 4000	
73	WR37400	1	TUBE ASSY-RAISE,LH 4000	
74	WR37374	1	TUBE ASSY-TANK,4000	
75	WR37375	1	TUBE ASSY-PUMP,4000	
76	6801843	1	TUBELINE	
77	6801844	1	TUBELINE	
80	6801931	1	HOSE-06FJX-06FJX90-04R1	
82	6801933	1	HOSE-06FJX-06FJX90-04R1	
83	6801935	1	TUBELINE	
84	6801936	1	TUBELINE	
90	6802465	1	HOSE-08FJX-06FJX-06R1	
91	6802537	1	TUBELINE	
92	WR124390	1	TUBELINE	
94	WR550698	1	BOLT 0.25-20NCX 1.00 G5 ZN HHD	
95	WR558788	5	BOLT 0.25-20NCX 1.25 G5 ZN HHD	
96	WR551279	2	BOLT.25-20NCX 2G5 ZN HHD	
97	WR550183	2	BOLT 0.31-18NCX 0.75 G5 ZN HHD	
100	WR561251	3	BOLT 0.31-18NCX 2.25 G5 ZN HHD	
101	WR561384	1	BOLT 0.31-18NCX 2.50 G5 ZN HHD	
103	WR551503	3	BOLT 0.37-16NCX 0.75 G5 ZN HHD	
107	WR33851	4	NUT-HEX,METRIC,M8 X 1.25	
108	WR50838	4	NUT-HEX,METRIC MIO-1.5	
110	WR55075	2	WASHER-PLAIN,10MM ID,LC,	
113	WR550205	5	WASHER LK 0.31 ZN REG	
114	WR550191	3	WASHER LK 0.37 ZN REG	
115	WR55104	4	WASHER-LOCK SPRING,6MM ID	
117	WR55106	4	WASHER-LOCK SPRING,10 MM	
120	WR553514	2	TEE 0.37 MJIC (3)	
121	WR562346	2	TEE -8MJ	
122	WR561629	4	ELBOW -6FJS90X -6MJ	
123	WR562709	2	TEE 0.37MJIC(2)X0.37FJIC SW	
124	WR560693	5	ADAP STR 0.37MO-R X 0.37MJIC	
125	WR122830	3	ADAP STR .37MORX.37MJIC LONG	
126	WR55158	4	WASHER-FLAT,10MM ID,	
127	WR551112	1	ELBOW 90D 0.50MO-R X 0.50MJIC	
129	WR553891	1	ELBOW 45D 0.50MO-R X 0.50MJIC	
133	WR55214	1	SCREW-HEX FLG,M10X1.5X20 CL8.8	
134	WR55215	1	SCREW-HEX FLG,M10X1.5X25 CL8.8	
135	WR55226	2	CLAMP-SUPPORT CUSHION,	
136	WR55232	1	CLAMP-SUPPORT CUSHION,	
137	WR26037	1	CLAMP-SUPPORT CUSH R/B 562237	
138	WR55236	1	CLAMP-SUPPORT CUSHION,	
140	WR55248	1	CLAMP-SUPPORT CUSHION DBL	
141	WR10254	1	SCREW-WZLK FLG 3/8 NC X 1	
142	WR561213	4	CLAMP 0.81-1.50 HOSE 16HS	
143	WR55410	1	NUT-FLANGE,M8 X 1.25 CL8,	
144	WR521798	4	UNION-BHD,.38MJIC	
145	WR13067	3	NUT-TUBE, -08	
146	WR55351	2	NUT-TOPLOCK, 1/4-20UNC G8	
148	WR55353	2	NUT-TOPLOCK, 3/8-16UNC G8	
151	WR55365	1	NUT-TOPLOCK, 1/4-20UNC,	
152	WR55366	1	NUT-TOPLOCK, 3/8-16UNC,	
153	WR514803	4	ELBOW 90D 0.37JICX0.37JIC BHD	
162	WR562229	1	ADAP STR-8MJBHX-8MJ	
163	WR55454	1	O RING-08MB,90 DUR	
164	WR55417	1	NUT-LOCK,HYD TUBE,-08	



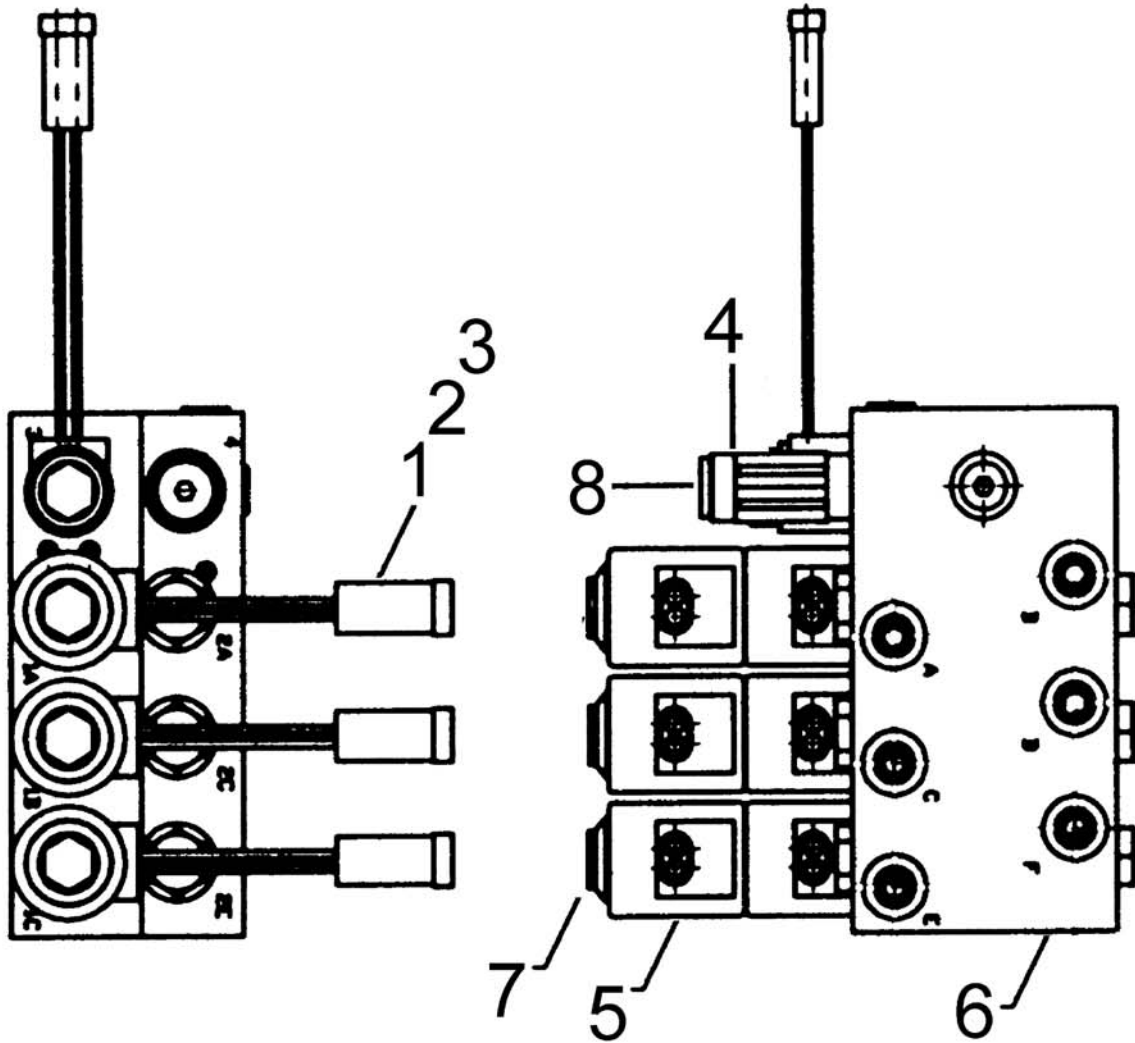
WR37559 - HYDRAULIC GROUP-CHASSIS,

ITEM	PART #	QTY	DESCRIPTION	COMMENTS
0	WR37386	1	VALVE ASSY-CONTROL	SEE PAGE 3-2
0	WR37401	1	BRACKET-MTG,VALVE ASSY	
0	WR523227	1	ADAPTER-45D,-6FJIC SWX-6MJIC	
0	WR519114	2	TUBE END NIPPLE -6	
0	WR50830	1	CLAMP-SUPPORT,CUSHION,	
0	WR55416	8	NUT-LOCK,HYD TUBE,-06	
0	6801808	-	INSTL-HYDRAULIC	
0	6801845	-	SCHEMATIC-HYDRAULIC	
0	WR552194	2	ADAP STR 0.75MO-R X 0.50MJIC	
0	WR25752	4	SCREW-CAP HEX M8 X 16,	
0	WR32254	1	NUT-TOPLOCK,M8-1.25	
0	WR520967	1	BOLT-M8-1.25X25,CL8.8,ZN FLG	
0	WR55041	1	SCREW-CAP HEX M8 X 65	
0	WR550493	5	WASHER LK 0.25 ZN REG	
0	WR55388	4	WASHER-PLAIN ST,8MM	
0	WR559911	1	BOLT 0.31-18NCX 1.50 G5 ZN HHD	
0	WR562639	1	BOLT M6 1.00X12MM G8.8 ZN HHD	
0	WR122414	1	CYLINDER-HYD,2.00X20.00X1.00	SEE PAGE 3-5
0	WR122403	1	CYLINDER-HYD,2.00X20.00X1.00	SEE PAGE 3-4
0	WR122423	2	CYLINDER-HYD,1.75X6.19X1.00	SEE PAGE 3-6
0	WR122424	2	CYLINDER-HYD,1.75X16.84X1.00	SEE PAGE 3-7
0	WR550175	3	BOLT 0.37-16NCX 1.00 G5 ZN HHD	
0	WR125372	1	HOSE ASM-4X63.00 FJS/FJS90	
0	6597791	2	PIN-W/A	
0	6801342	1	HOSE-08FJX-06FJX90-06R1	
0	6578209	1	CONNECTOR-CROSS	
0	WR128112	1	ELBOW-8MJIC 45 X -6MB	
0	WR561391	1	TEE 0.37FJIC SW X 0.37MJIC(2)	
0	WR559148	1	ADAP STR 0.25MNPT X 0.37MJIC	
0	WR561834	3	ADAP STR-8FJX-6MJ	
0	WR519123	1	TEE-RUN,STR THD -6	
2	WR562372	1	ADAP STR 0.37MO-R X 0.50MJIC	
4	6715715	1	FITTING-STR BEADED	
5	1312337	1	ADAPTER	
6	6515541	1	FILTER-HYD	
7	6533975	1	GROMMET	
8	6535422	5	WASHER-CLAMP	
9	6536129	1	HOSE-06FJX-06FJX90-06R1	
13	6562619	1	BUSHING-THROTTLE	
14	6577696	12	CLAMP-TUBELINE	
15	6577697	10	CLAMP-TUBLINE IN RECEIVE AS 1/2 IN	
16	6578870	10	TUBELINE-CLAMP "RECEIVE AS 1/2	
20	6589193	1	ELBOW	
23	6597879	1	GRIP ASSY-HANDLE	
24	6597894	1	EDGE	
27	6618196	1	HOSE-06FJX-06FJX90-04R1	
28	6618197	2	HOSE-06FJX(20-04R2 X028.4	
31	6803582	1	TUBELINE ASSY	
32	WR562496	4	TIE CABLE 15.0 .18-4.00 BLACK	
33	6626606	1	BLOCK-FILTER PORT	
34	6626650	1	ADAPTER-FILTER	
35	6802800	3	HOSE-06FJX(2)-06R1 X073	
36	6626697	1	HOSE-08MJ-06FJX90-06R1	
37	6627634	1	HOSE-06FJX-06FJX45-06R1	
38	6628163	1	TUBELINE	
39	WR562401	1	ELBOW -6MB90X-6MJ	
40	6652521	6	COVER-PLATE	
41	6664332	1	VALVE-CHECK,INLINE	
42	6664973	1	VALVE-FLOAT,2 POSITION	SEE PAGE 3-8
43	6667346	1	VALVE-STEERING	SEE PAGE 3-9
44	6668855	1	PUMP-HYD	SEE PAGE 3-10
45	6669628	1	VALVE-CHARGE	
46	6669671	1	ACCUMULATOR	
47	6670147	1	ACCUMULATOR	
48	6670210	1	SWITCH-PRESSURE	
50	6702079	4	HOSE-06FJX-06FJX90-06R1	
52	6800357	1	HOSE-08FJX(2)-08R1 X017.7	
53	6800927	1	TEE-FITTING,OFFET	
54	6800928	1	HOSE	



WR37559 - HYDRAULIC GROUP-CHASSIS,

ITEM	PART #	QTY	DESCRIPTION	COMMENTS
55	6800930	1	HOSE	
56	6801007	1	TUBELINE	
57	6801008	1	TUBELINE	
58	6801009	1	TUBELINE	
59	6801010	1	TUBELINE	
64	6801683	2	HOSE-06FJX-06FX90-04R2	
65	6801744	1	TANK ASSY-HYD	SEE PAGE 3-11
67	6801751	1	U BOLT	
68	6801752	1	BRACKET-CLAMP	
69	6801786	1	HOSE	
70	WR37397	1	TUBE ASSY-LOWER,RH 4000	
71	WR37398	1	TUBE ASSY-RAISE,RH 4000	
72	WR37399	1	TUBE ASSY-LOWER,RH 4000	
73	WR37400	1	TUBE ASSY-RAISE,LH 4000	
74	WR37374	1	TUBE ASSY-TANK,4000	
75	WR37375	1	TUBE ASSY-PUMP,4000	
76	6801843	1	TUBELINE	
77	6801844	1	TUBELINE	
80	6801931	1	HOSE-06FJX-06FJX90-04R1	
82	6801933	1	HOSE-06FJX-06FJX90-04R1	
83	6801935	1	TUBELINE	
84	6801936	1	TUBELINE	
90	6802465	1	HOSE-08FJX-06FJX-06R1	
91	6802537	1	TUBELINE	
92	WR124390	1	TUBELINE	
94	WR550698	1	BOLT 0.25-20NCX 1.00 G5 ZN HHD	
95	WR558788	5	BOLT 0.25-20NCX 1.25 G5 ZN HHD	
96	WR551279	2	BOLT.25-20NCX 2G5 ZN HHD	
97	WR550183	2	BOLT 0.31-18NCX 0.75 G5 ZN HHD	
100	WR561251	3	BOLT 0.31-18NCX 2.25 G5 ZN HHD	
101	WR561384	1	BOLT 0.31-18NCX 2.50 G5 ZN HHD	
103	WR551503	3	BOLT 0.37-16NCX 0.75 G5 ZN HHD	
107	WR33851	4	NUT-HEX,METRIC,M8 X 1.25	
108	WR50838	4	NUT-HEX,METRIC MIO-1.5	
110	WR55075	2	WASHER-PLAIN,10MM ID,LC,	
113	WR550205	5	WASHER LK 0.31 ZN REG	
114	WR550191	3	WASHER LK 0.37 ZN REG	
115	WR55104	4	WASHER-LOCK SPRING,6MM ID	
117	WR55106	4	WASHER-LOCK SPRING,10 MM	
120	WR553514	2	TEE 0.37 MJIC (3)	
121	WR562346	2	TEE -8MJ	
122	WR561629	4	ELBOW -6FJS90X -6MJ	
123	WR562709	2	TEE 0.37MJIC(2)X0.37FJIC SW	
124	WR560693	5	ADAP STR 0.37MO-R X 0.37MJIC	
125	WR122830	3	ADAP STR .37MORX.37MJIC LONG	
126	WR55158	4	WASHER-FLAT,10MM ID,	
127	WR551112	1	ELBOW 90D 0.50MO-R X 0.50MJIC	
129	WR553891	1	ELBOW 45D 0.50MO-R X 0.50MJIC	
133	WR55214	1	SCREW-HEX FLG,M10X1.5X20 CL8.8	
134	WR55215	1	SCREW-HEX FLG,M10X1.5X25 CL8.8	
135	WR55226	2	CLAMP-SUPPORT CUSHION,	
136	WR55232	1	CLAMP-SUPPORT CUSHION,	
137	WR26037	1	CLAMP-SUPPORT CUSH R/B 562237	
138	WR55236	1	CLAMP-SUPPORT CUSHION,	
140	WR55248	1	CLAMP-SUPPORT CUSHION DBL	
141	WR10254	1	SCREW-WZLK FLG 3/8 NC X 1	
142	WR561213	4	CLAMP 0.81-1.50 HOSE 16HS	
143	WR55410	1	NUT-FLANGE,M8 X 1.25 CL8,	
144	WR521798	4	UNION-BHD,.38MJIC	
145	WR13067	3	NUT-TUBE, -08	
146	WR55351	2	NUT-TOPLOCK, 1/4-20UNC G8	
148	WR55353	2	NUT-TOPLOCK, 3/8-16UNC G8	
151	WR55365	1	NUT-TOPLOCK, 1/4-20UNC,	
152	WR55366	1	NUT-TOPLOCK, 3/8-16UNC,	
153	WR514803	4	ELBOW 90D 0.37JICX0.37JIC BHD	
162	WR562229	1	ADAP STR-8MJBHX-8MJ	
163	WR55454	1	O RING-08MB,90 DUR	
164	WR55417	1	NUT-LOCK,HYD TUBE,-08	



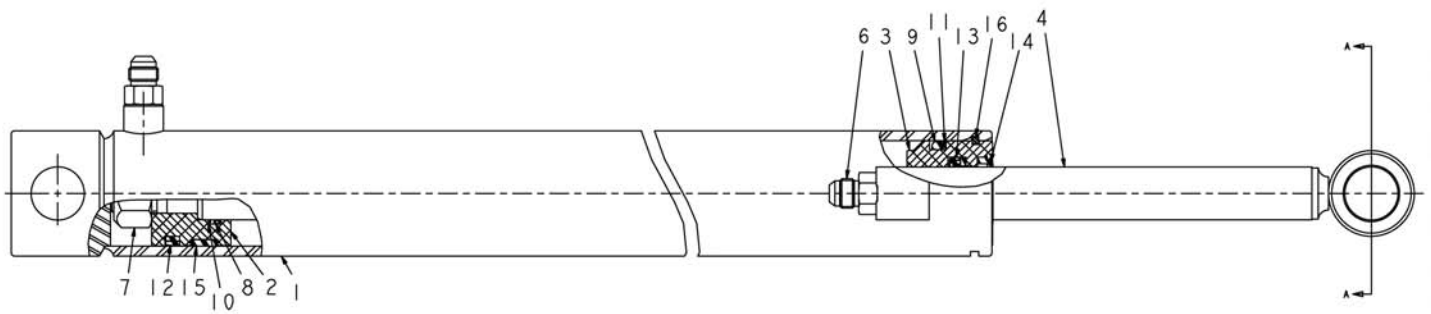
WR37386 - VALVE ASSY-CONTROL

ITEM	PART #	QTY	DESCRIPTION	COMMENTS
0	WR27671	8	SEAL KIT-HYDRA FRC,	
0	WR38762	1	VALVE-CARTRIDGE,RELIEF-08	
0	WR38763	3	SEAL KIT-CARTRIDGE,-10	
0	WR26528	6	VALVE-CHECK,CV08200N25	SEE PAGE 3-3
0	WR38767	6	SEAL KIT-COIL #10	
0	WR38766	1	SEAL KIT-COIL #8	
1	WR515850	7	CONNECTOR ELEC SHROUD 2-CONT F	
2	WR515762	14	TERM MA 16-14 GA W/PACK	
3	WR515765	14	SEAL CABLE GREY REEL 14 GA	
4	WR26404	1	COIL-12VDC,HF6302012	
5	WR26408	6	COIL-12V HF 6352012	
6	WR38761	3	PISTON-DBL PILOT,-08,4:1	
7	WR38765	3	VALVE-CARTRIDGE,-10	
8	WR38764	1	VALVE-CARTRIDGE,-08	

NO DRAWING AVAILABLE

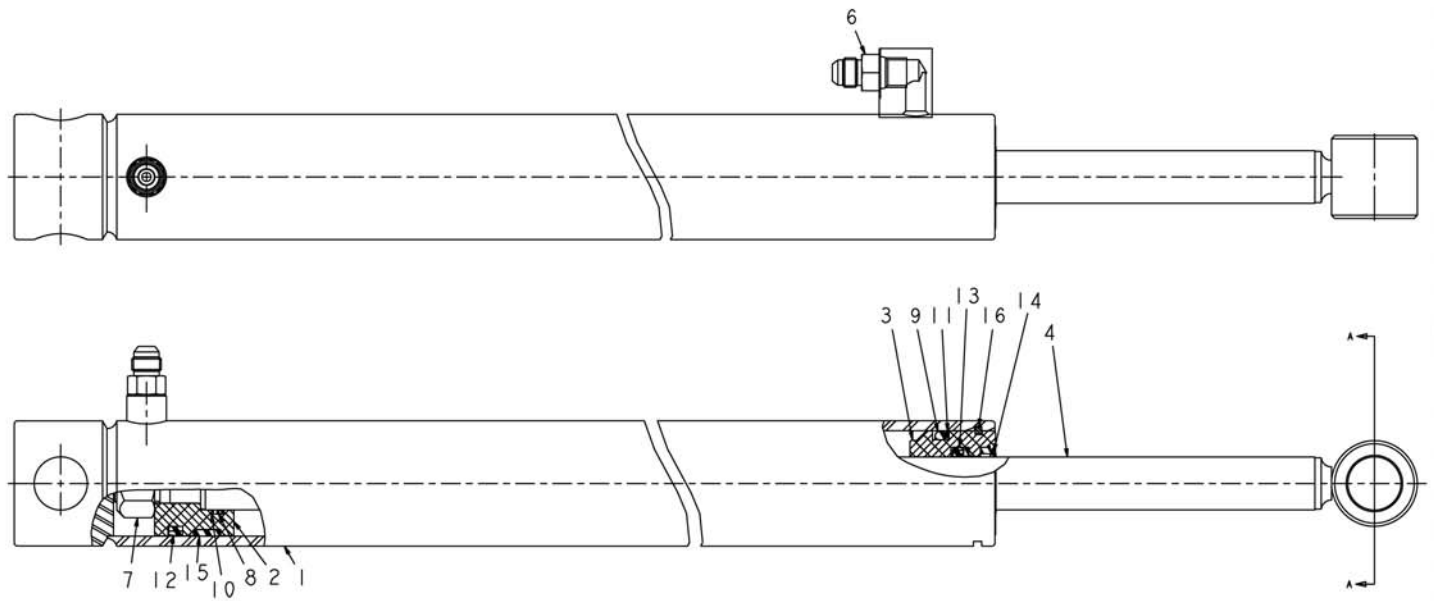
WR26528 - VALVE-CHECK,CV08200N25

ITEM	PART #	QTY	DESCRIPTION	COMMENTS
0	WR27671	1	SEAL KIT-HYDRA FRC,	



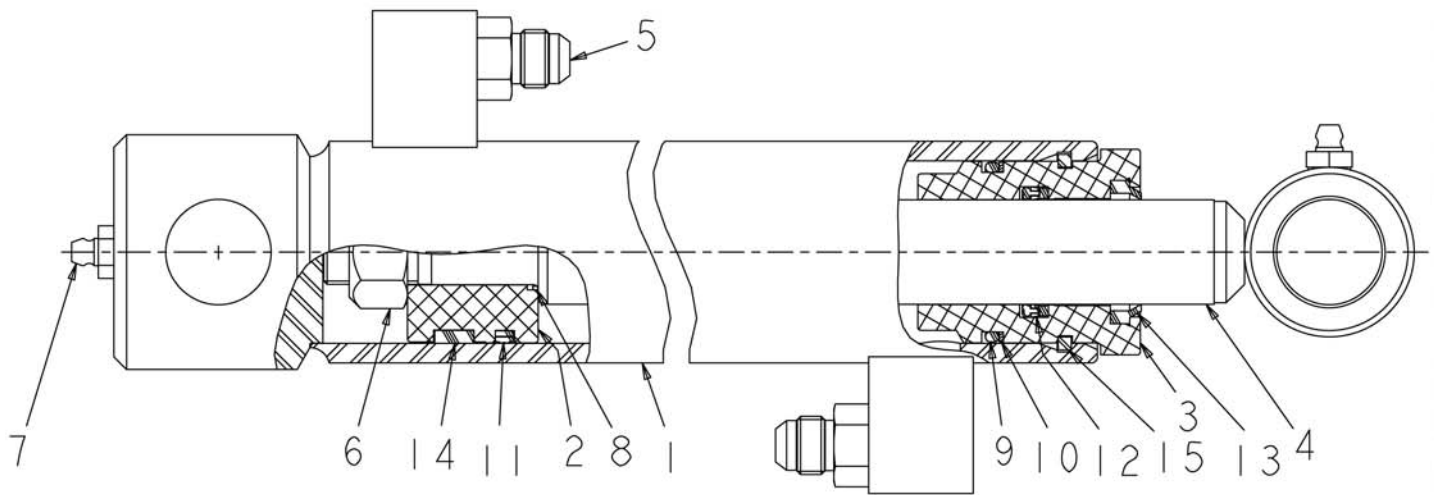
WR122403 - CYLINDER-HYD,2.00X20.00X1.00

ITEM	PART #	QTY	DESCRIPTION	COMMENTS
0	WR122433	-	SEAL KIT-092EM0134	
2	WR131617	1	PISTON	
3	72162717	1	A GLAND	
4	WR131571	1	ROD, CYLINDER	
5	WR131556	1	CONNECTOR	
6	WR131555	1	CONNECTOR	
7	WR061235	1	NUT/LOCK UNF .75-16	
			ITEM 1 CANNOT BE PURCHASED INDIVIDUALLY BUT IS INCLUDED IN THE CYLINDER.	
			ITEM 1: TUBE WELDMENT	
			ITEMS 8 - 16 CANNOT BE PURCHASED INDIVIDUALLY BUT ARE INCLUDED IN THE SEAL KIT.	
			ITEM 8: O-RING	
			ITEM 9: O-RING	
			ITEM 10: BACKUP RING, DYNAMIC	
			ITEM 11: BACKUP RING	
			ITEM 12: DISO-PAC	
			ITEM 13: DEEP Z-SEAL	
			ITEM 14: HD ROD SEAL	
			ITEM 15: PRECISION WEARBAND	
			ITEM 16: SQUARE WRAP-IN WIRE	



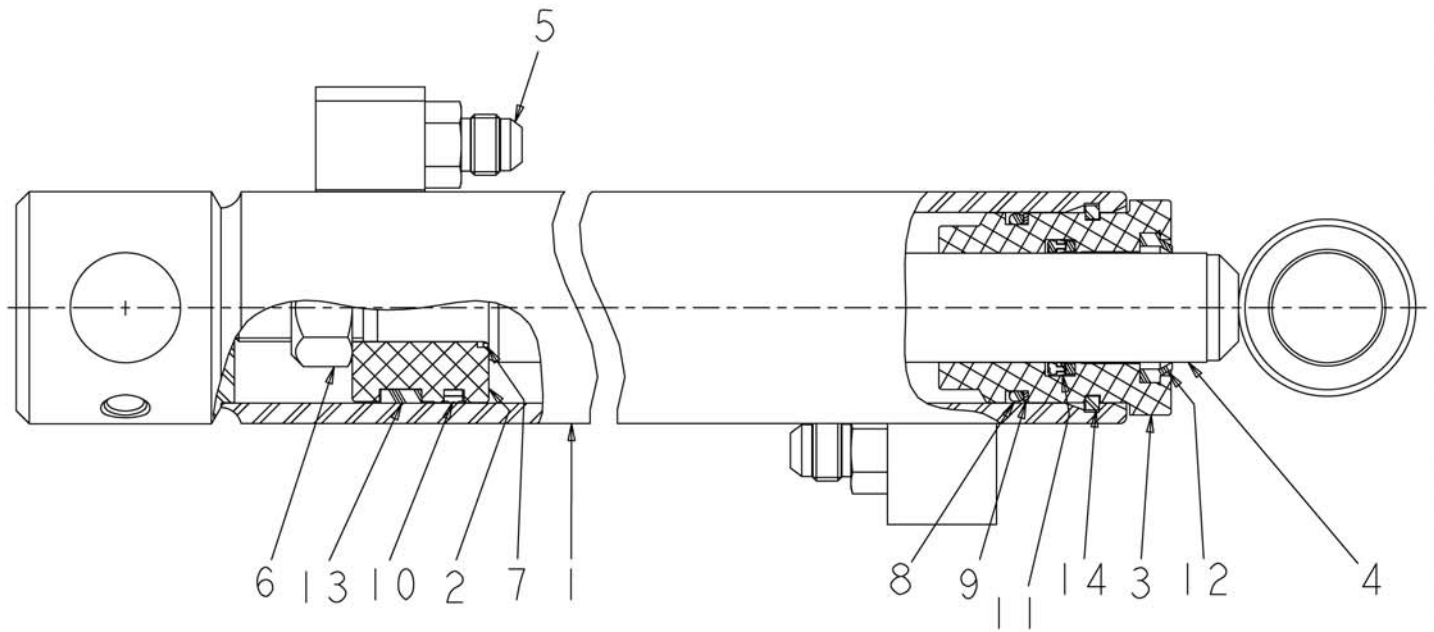
WR122414 - CYLINDER-HYD,2.00X20.00X1.00

ITEM	PART #	QTY	DESCRIPTION	COMMENTS
0	WR122433	-	SEAL KIT-092EM0134	
2	WR131617	1	PISTON	
3	72162717	1	A GLAND	
4	WR131571	1	ROD, CYLINDER	
5	WR131556	1	CONNECTOR	
6	WR131555	1	CONNECTOR	
7	WR061235	1	NUT/LOCK UNF .75-16	
			ITEM 1 CANNOT BE PURCHASED INDIVIDUALLY BUT IS INCLUDED WITH THE CYLINDER.	
			ITEM 1: TUBE WELDMENT	
			ITEMS 8 - 16 CANNOT BE PURCHASED INDIVIDUALLY BUT ARE INCLUDED IN THE SEAL KIT.	
			ITEM 8: O-RING	
			ITEM 9: O-RING	
			ITEM 10: BACKUP RING, DYNAMIC	
			ITEM 11: BACKUP RING	
			ITEM 12: DISO-PAC	
			ITEM 13: DEEP Z-SEAL	
			ITEM 14: HD ROD WIPER, SEALED OD	
			ITEM 15: PRECISION WEARBAND	
			ITEM 16: SQUARE WRAP-IN WIRE	



WR122423 - CYLINDER-HYD,1.75X6.19X1.00

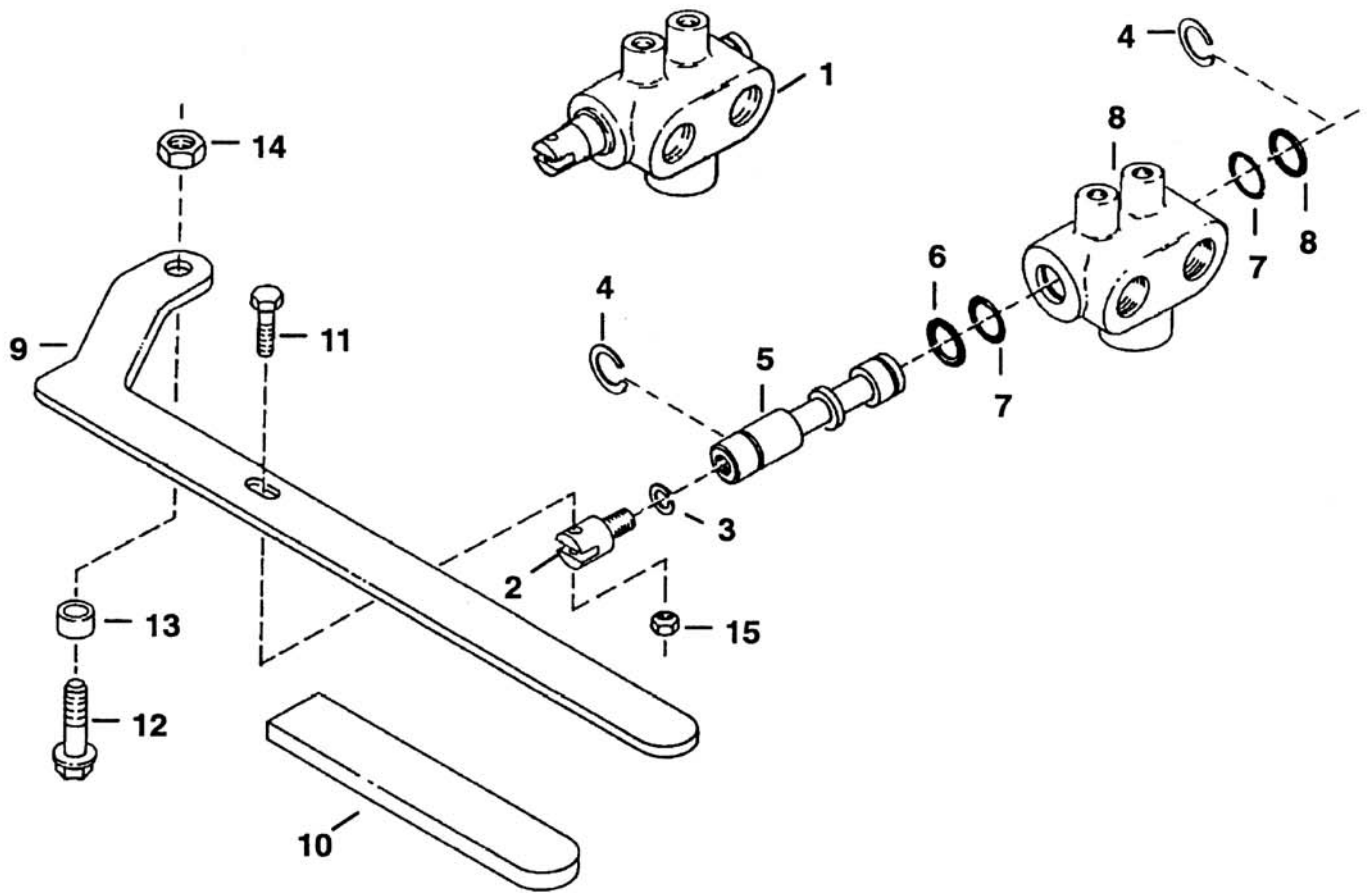
ITEM	PART #	QTY	DESCRIPTION	COMMENTS
0	WR122432	-	SEAL KIT-09DM0023	
2	WR131625	1	PISTON	
3	WR131604	1	HEAD, GLAND	
4	WR131587	1	ROD, CYLINDER	
5	WR131555	2	CONNECTOR	
6	WR704757	1	NUT 0.62-18NF ZN LK	
7	WR550280	-	FITTING LUB.12-27NPTFX0.68	
			ITEM 1 CANNOT BE PURCHASED INDIVIDUALLY BUT IS INCLUDED WITH THE CYLINDER.	
			ITEM 1: TUBE WELDMENT	
			ITEMS 8 - 15 CANNOT BE PURCHASED INDIVIDUALLY BUT ARE INCLUDED IN THE SEAL KIT.	
			ITEM 10: BACKUP RING	
			ITEM 11: DISO-PAC	
			ITEM 12: DEEP Z-SEAL	
			ITEM 13: HD ROD WIPER, SEALED OD	
			ITEM 14: PRECISION WEARBAND	
			ITEM 15: SQUARE WRAP-IN WIRE	
			ITEM 8: O-RING	
			ITEM 9: O-RING	



WR122424 - CYLINDER-HYD,1.75X16.84X1.00

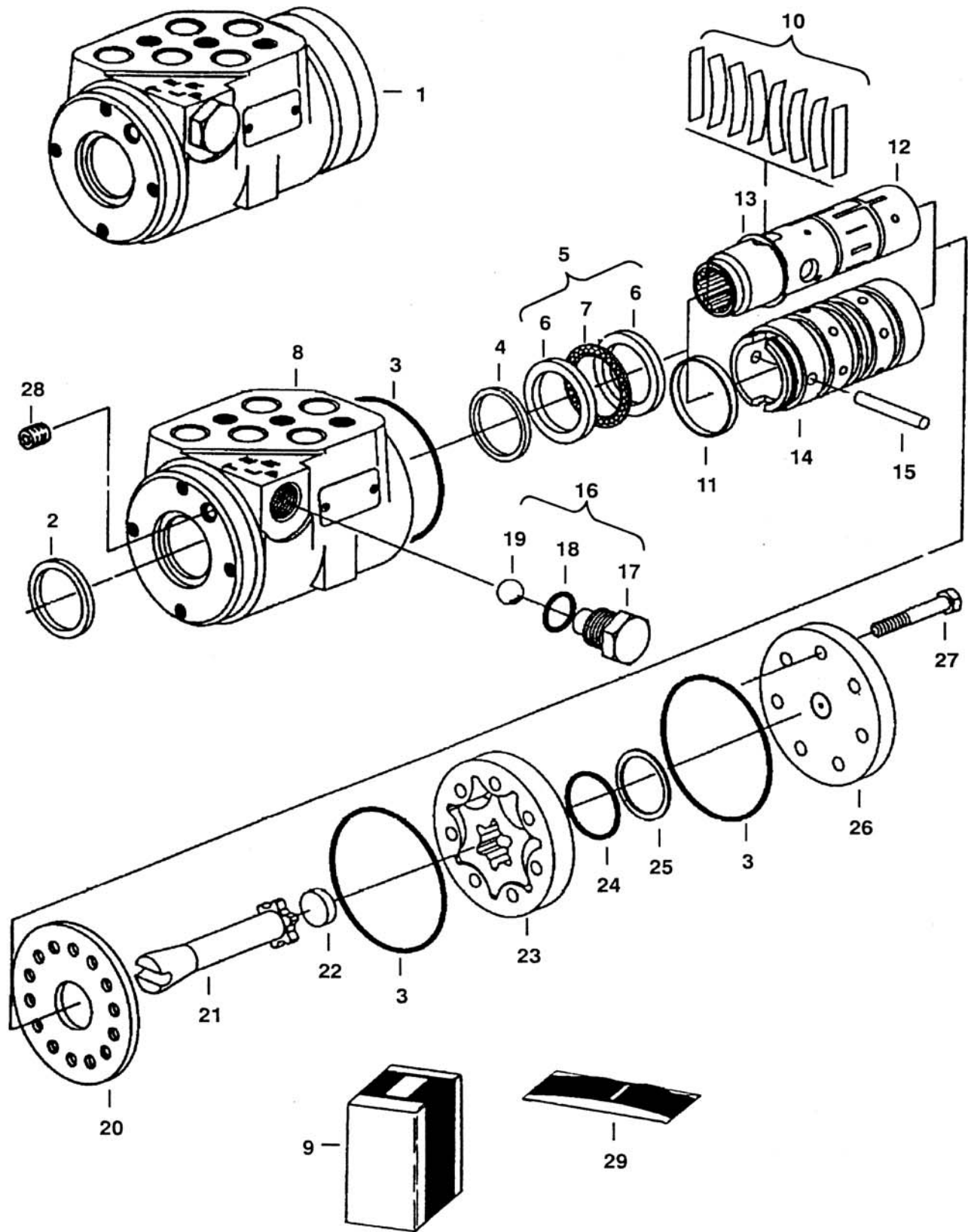
ITEM	PART #	QTY	DESCRIPTION	COMMENTS
0	WR122432	-	SEAL KIT-09DM0023	
2	WR131625	1	PISTON	
3	WR131604	1	HEAD, GLAND	
4	WR131588	1	ROD, CYLINDER	
5	WR131555	2	CONNECTOR	
6	WR704757	1	NUT 0.62-18NF ZN LK	
			ITEM 1 CANNOT BE PURCHASED INDIVIDUALLY BUT IS INCLUDED WITH THE CYLINDER.	
			ITEM 1: TUBE WELDMENT	
			ITEMS 7 - 14 CANNOT BE PURCHASED INDIVIDUALLY BUT ARE INCLUDED IN THE SEAL KIT.	
			ITEM 7: O-RING	
			ITEM 8: O-RING	
			ITEM 9: BACKUP RING	
			ITEM 10: DISO-PAC	
			ITEM 11: DEEP Z-SEAL	
			ITEM 12: HD ROD WIPER, SEALED OD	
			ITEM 13: PRECISION WEARBAND	
			ITEM 14: SQUARE WRAP-IN WIRE	

6664973 - VALVE-FLOAT, 2 POSITION



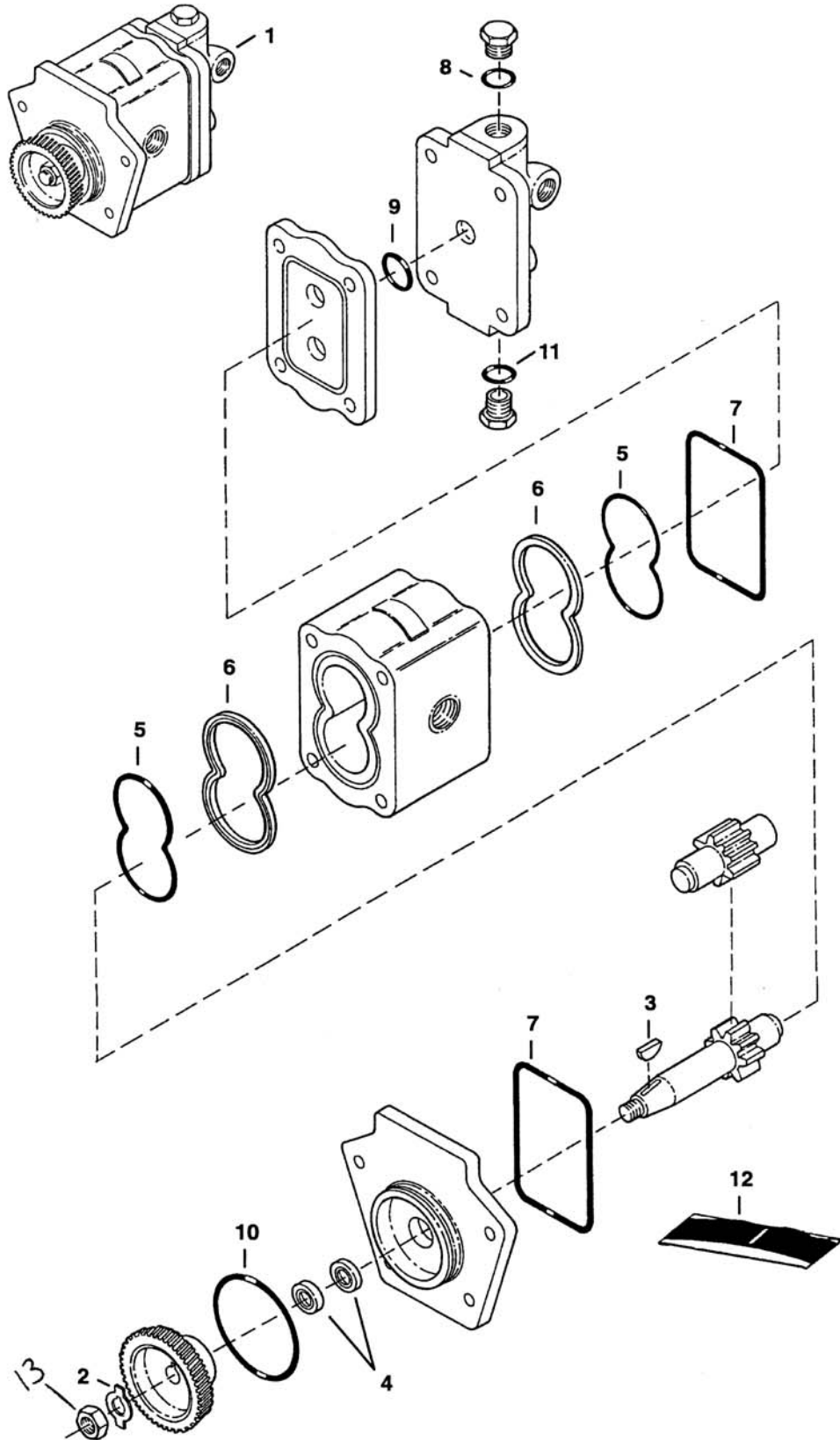
6664973 - VALVE-FLOAT,2 POSITION

ITEM	PART #	QTY	DESCRIPTION	COMMENTS
2	6656070	1	CLEVIS	
3	6656069	1	WASHER	
4	6656067	2	RING	
9	6597025	1	HANDLE-VALVE	
10	6597026	1	HANDLE-GRIP	
13	6562619	1	BUSHING-THROTTLE	
14	WR55353	1	NUT-TOPLOCK, 3/8-16UNC G8	
15	WR55365	1	NUT-TOPLOCK, 1/4-20UNC,	
			ITEM 8: HOUSING	
			ITEM 5 & 8 CANNOT BE PURCHASED INDIVIDUALLY BUT ARE INCLUDED	
			IN THE VALVE.	
			ITEM 5: SPOOL	



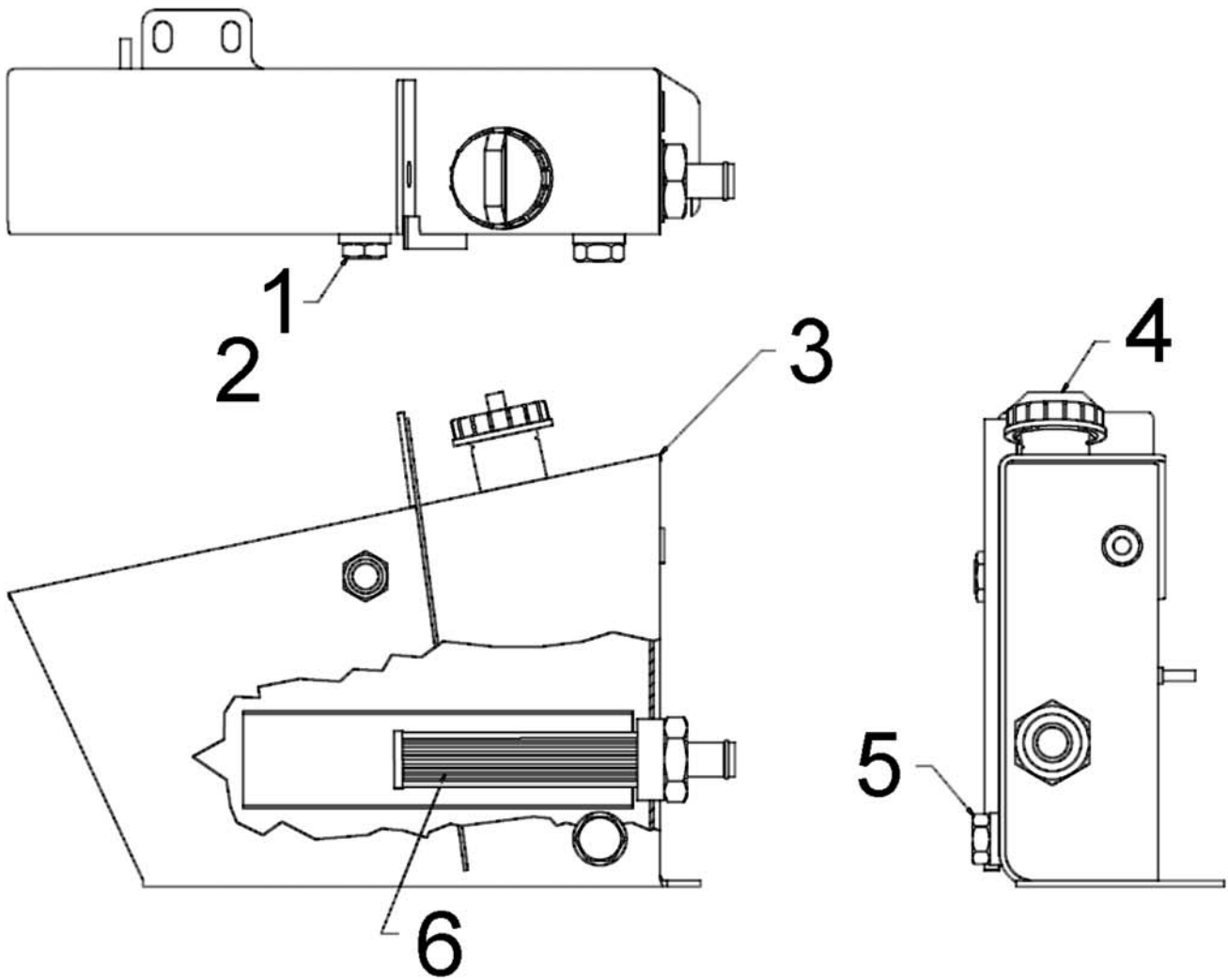
6667346 - VALVE-STEERING

ITEM	PART #	QTY	DESCRIPTION	COMMENTS
5	6664419	1	BEARING	
6	6664420	2	RACE	
7	6664421	1	BEARING	
10	6664423	1	SPRINGS	
13	6664424	1	RING	
15	6664425	1	PIN	
16	6664426	1	PLUG	
18	6664427	1	O-RING	
19	6664428	1	BALL	
20	6664429	1	PLATE	
21	6664430	1	DRIVE	
22	6667879	1	SPACER	
23	6667878	1	GEROTOR	
24	6664433	1	O-RING	
25	6664434	1	SEAL	
26	6664435	1	CAP	
27	6667877	7	BOLT	
29	6664437	1	KIT	
				ITEM 2,3,4 CANNOT BE PURCHASED INDIVIDUALLY BUT ARE INCLUDED IN ITEM 28.
				ITEM 2: DUST SEAL
				ITEM 3: O-RING SEAL
				ITEM 4: QUAD SEAL
				ITEM 11 CANNOT BE PURCHASED INDIVIDUALLY BUT IS INCLUDED IN THE CENTERING SPRINGS.
				ITEM 11: RING
				ITEMS 12 & 14 CANNOT BE PURCHASED INDIVIDUALLY BUT ARE INCLUDED IN THE STEERING VALVE.
				ITEM 12: SPOOL
				ITEM 14: SLEEVE



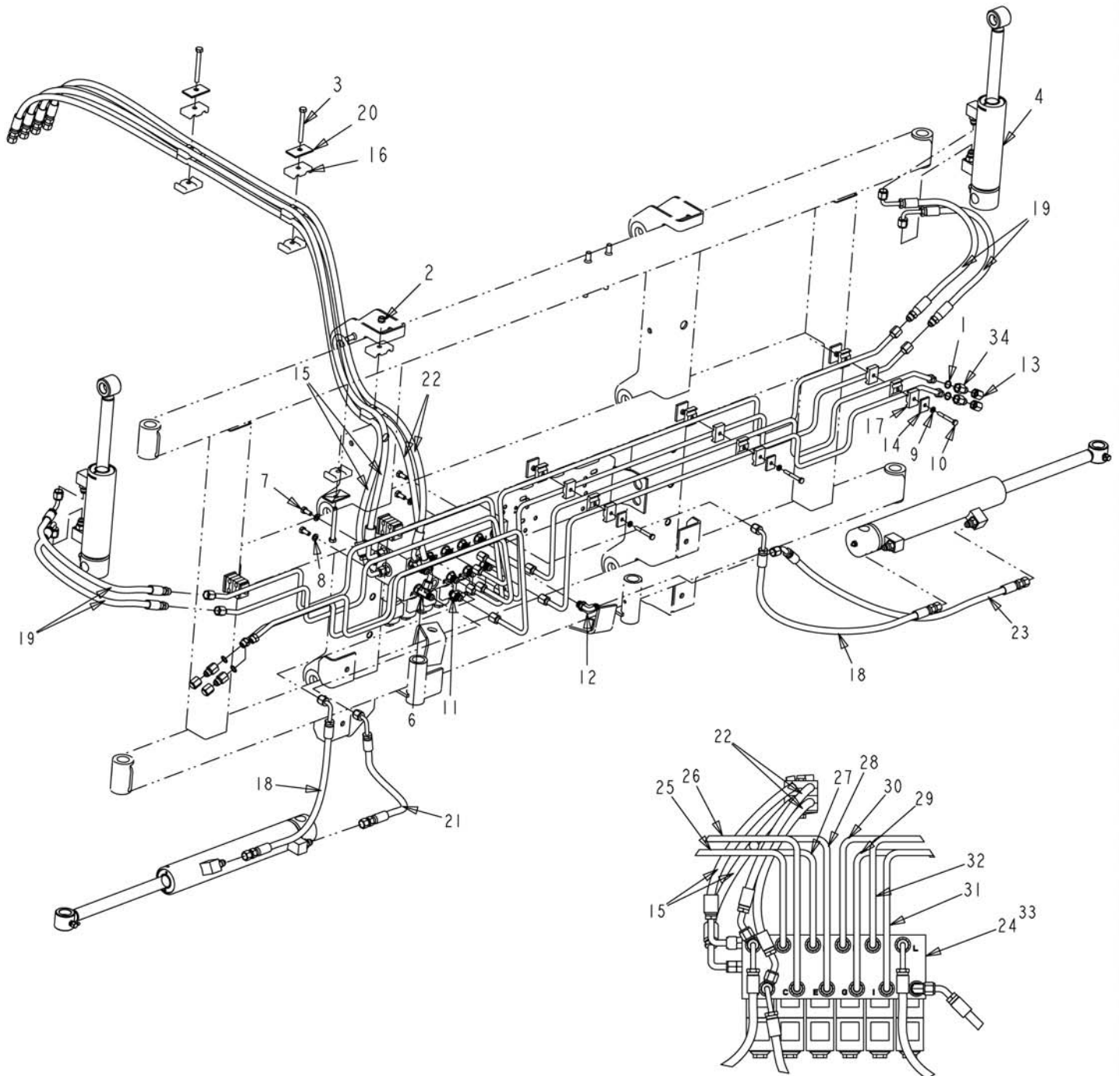
6668855 - PUMP-HYD

ITEM	PART #	QTY	DESCRIPTION	COMMENTS
2	6662086	1	WASHER-LOCK	
3	6662084	2	KEY WOODRUFF	
4	6671044	2	SEAL	
12	6671043	1	KIT-SEAL	
20	6673033	1	NUT	
21	6672264	1	SHIM 3.03 MM	
21	6672265	1	SHIM 0-17 MM	
			ITEMS 5-11 CANNOT BE PURCHASED INDIVIDUALLY BUT ARE INCLUDED IN THE SEAL KIT.	
			ITEM 5: INNER SEAL	
			ITEM 6: OUTER SEAL	
			ITEM 7: O-RING	
			ITEM 8: O-RING	
			ITEM 9: O-RING	
			ITEM 10: O-RING	
			ITEM 11: O-RING	



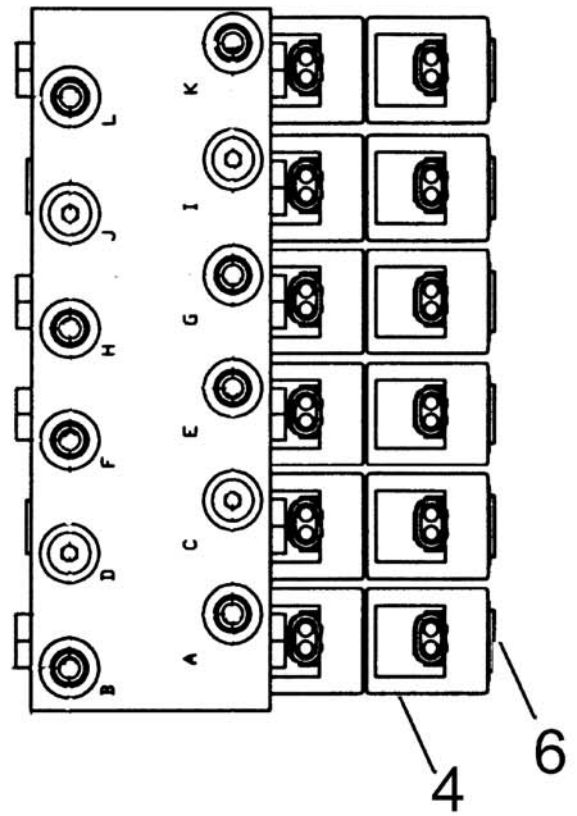
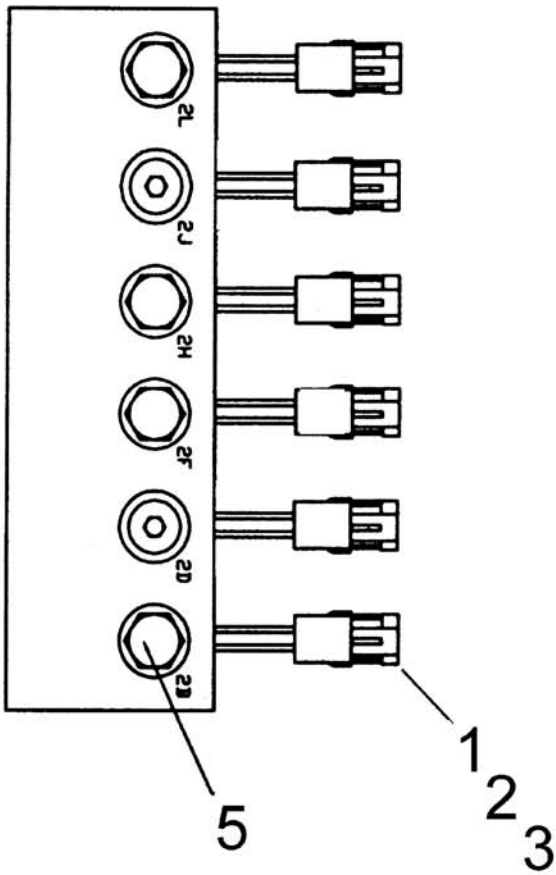
6801744 - TANK ASSY-HYD

ITEM	PART #	QTY	DESCRIPTION	COMMENTS
1	7000001	1	GAUGE-SIGHT LEVEL	
2	WR55456	1	O RING-12MB,90 DUR	
3	6801636	1	TANK-HYD- (4000)	
4	6632468	1	CAP-STD	
5	WR561879	1	PLUG 0.75MO-R HEX	
6	6618698	1	STRAINER-SUCTION	



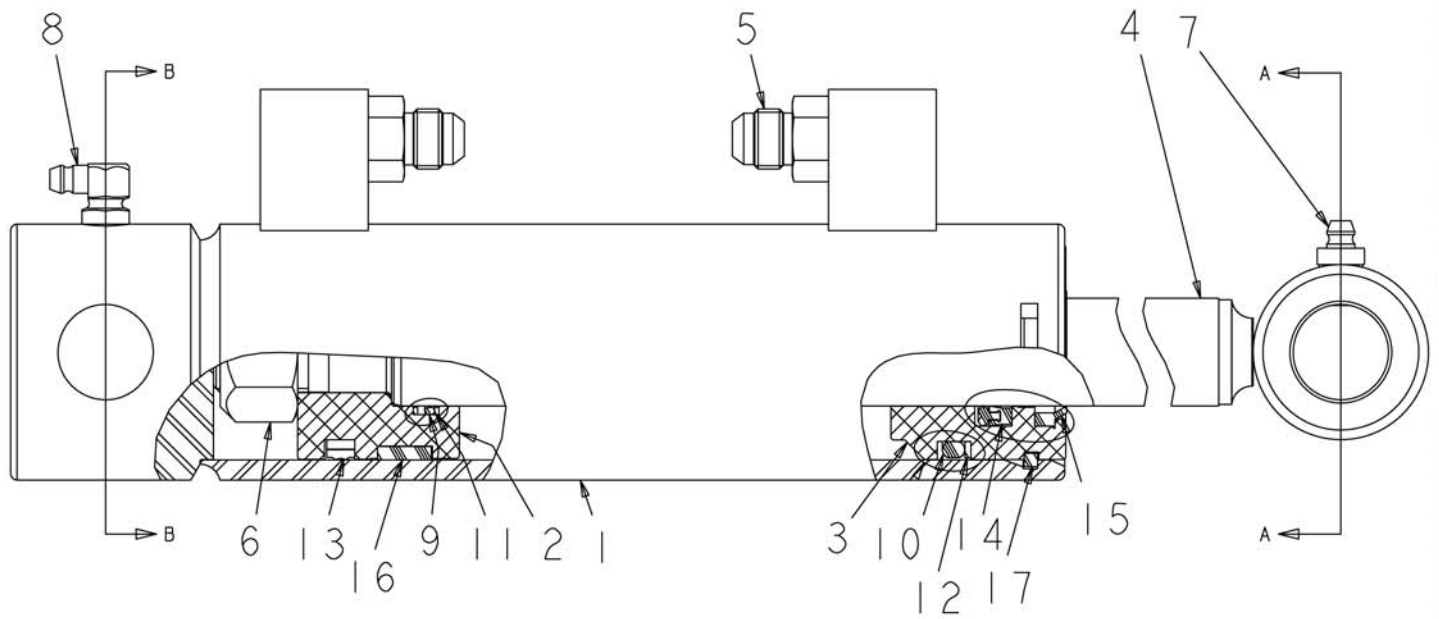
WR37809 - HYD INSTL - H FRM

ITEM	PART #	QTY	DESCRIPTION	COMMENTS
1	WR28265	4	O-RING FOR -06 MB	
2	WR32254	1	NUT-TOPLOCK,M8-1.25	
3	WR55043	3	SCREW-CAP HEX M8 X 75	
4	WR122415	2	CYLINDER-HYD,2.00X4.00X1.00	SEE PAGE 3-14
5	WR129450	2	CYLINDER-HYD,2.00X8.44X1.00	SEE PAGE 3-15
6	WR519123	2	TEE-RUN,STR THD -6	
7	WR550183	4	BOLT 0.31-18NCX 0.75 G5 ZN HHD	
8	WR550205	4	WASHER LK 0.31 ZN REG	
9	WR550493	5	WASHER LK 0.25 ZN REG	
10	WR551279	5	BOLT.25-20NCX 2G5 ZN HHD	
11	WR560693	11	ADAP STR 0.37MO-R X 0.37MJIC	
12	WR562401	1	ELBOW -6MB90X-6MJ	
13	WR708307	4	NUT CAP 0.37 FJIC	
14	6535422	5	WASHER-CLAMP	
15	6537283	2	HOSE-06FJX-06FJX90-04R1	
16	6577696	12	CLAMP-TUBELINE	
17	6578870	20	TUBELINE-CLAMP "RECEIVE AS 1/2	
18	6587032	2	HOSE-06FJX-06FJX90-04R1	
19	6626580	4	HOSE-06FJX90-06MJ-04R1	
20	6652521	3	COVER-PLATE	
21	6700024	1	HOSE-06FJX-06FX90-04R1	
22	6801494	2	HOSE-06FJX-06FJX45-04R1	
23	6801495	1	HOSE-06FJX-06FJX45-04R1	
24	WR37388	1	VALVE ASSY-6 SPOOL	SEE PAGE 3-13
25	WR37389	1	TUBE ASSY-CENTER HYD,ESP	
26	WR37390	1	TUBE ASSY-CENTER HYD,ESP	
27	WR37391	1	TUBE ASSY-CENTER HYD	
28	WR37392	1	TUBE ASSY-CENTER HYD	
29	WR37393	1	TUBE ASSY-CENTER HYD	
30	WR37394	1	TUBE ASSY-CENTER HYD	
31	WR37395	1	TUBE ASSY-CENTER HYD, ESP	
32	WR37396	1	TUBE ASSY-CENTER HYD, ESP	
33	WR37481	1	KIT-CARTRIDGE FOR WR37388	
34	WR37846	4	ORIFICE-06FB-06MJ W/.20	



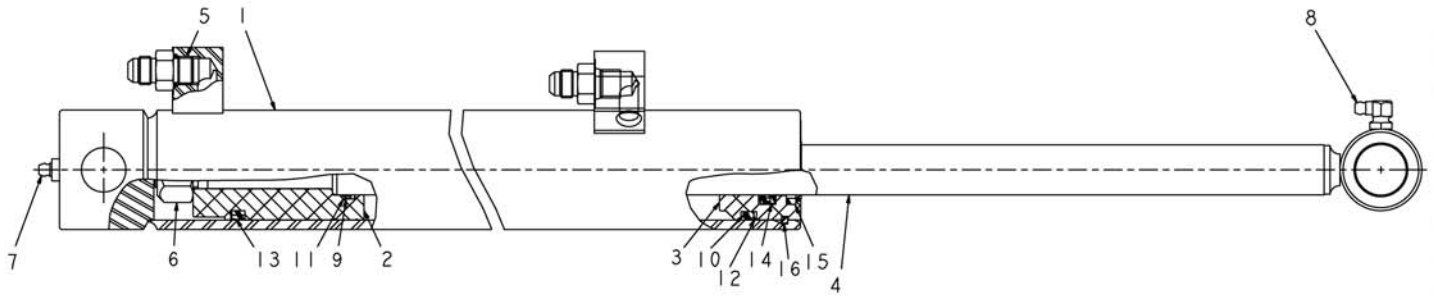
WR37388 - VALVE ASSY-6 SPOOL

ITEM	PART #	QTY	DESCRIPTION	COMMENTS
0	WR38763	6	SEAL KIT-CARTRIDGE,-10	
0	WR38767	12	SEAL KIT-COIL #10	
0	WR27671	12	SEAL KIT-HYDRA FRC,	
1	WR515850	12	CONNECTOR ELEC SHROUD 2-CONT F	
2	WR515762	24	TERM MA 16-14 GA W/PACK	
3	WR515765	24	SEAL CABLE GREY REEL 14 GA	
4	WR26408	12	COIL-12V HF 6352012	
5	WR38761	6	PISTON-DBL PILOT,-08,4:1	
6	WR38765	6	VALVE-CARTRIDGE,-10	
7	WR26528	12	VALVE-CHECK,CV08200N25	SEE PAGE 3-3



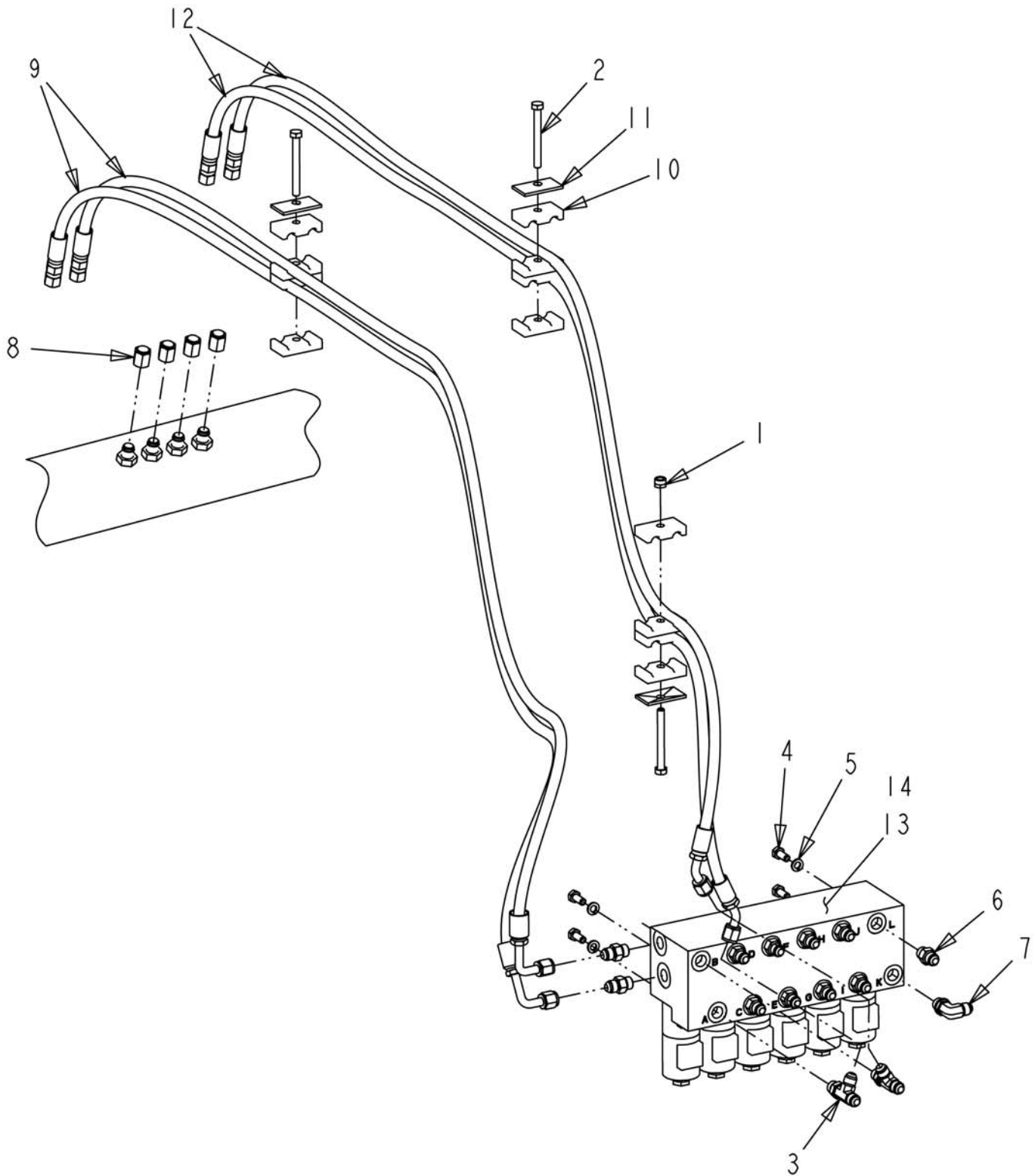
WR122415 - CYLINDER-HYD,2.00X4.00X1.00

ITEM	PART #	QTY	DESCRIPTION	COMMENTS
0	WR122433	-	SEAL KIT-092EM0134	
2	WR131617	1	PISTON	
3	72162717	1	A GLAND	
4	WR131580	1	ROD, CYLINDER	
5	WR131555	2	CONNECTOR	
6	WR061235	1	NUT/LOCK UNF .75-16	
7	WR550280	-	FITTING LUB.12-27NPTFX0.68	
8	WR559083	-	FITTING LUB 90D 0.125 NPTF	
			ITEM 1 CANNOT BE PURCHASED INDIVIDUALLY BUT IS INCLUDED WITH THE CYLINDER.	
			ITEM 1: TUBE WELDMENT	
			ITEM 9 - 17 CANNOT BE PURCHASED INDIVIDUALLY BUT ARE INCLUDED IN THE SEAL KIT.	
			ITEM 9: O-RING	
			ITEM 10: O-RING	
			ITEM 11: BACKUP RING, DYNAMIC	
			ITEM 12: BACKUP RING	
			ITEM 13: DISO-PAC	
			ITEM 14: DEEP Z-SEAL	
			ITEM 15: HD ROD WIPE, SEALED OD	
			ITEM 16: PRECISION WEARBAND	
			ITEM 17: SQUARE WRAP-IN WIRE	



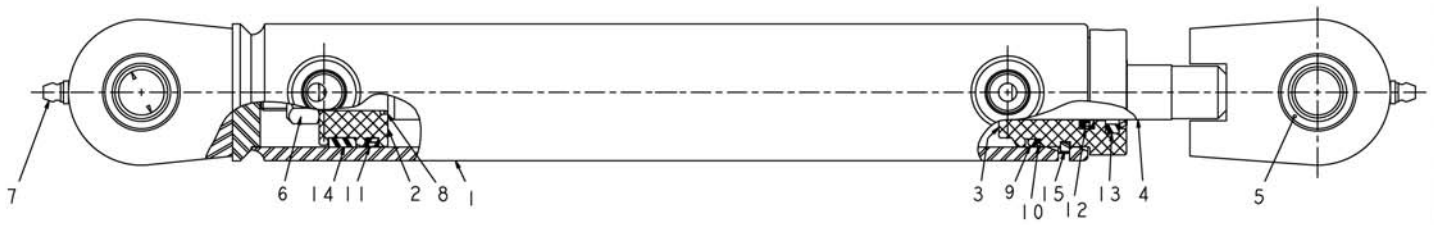
WR129450 - CYLINDER-HYD,2.00X8.44X1.00

ITEM	PART #	QTY	DESCRIPTION	COMMENTS
0	WR122433	-	SEAL KIT-092EM0134	
2	WR131620	1	PISTON	
3	72162717	1	A GLAND	
4	WR131576	1	ROD, CYLINDER	
5	WR131558	2	ASSEMBLY FITTING	
6	WR061235	1	NUT/LOCK UNF .75-16	
7	WR550280	-	FITTING LUB.12-27NPTFX0.68	
8	WR559083	-	FITTING LUB 90D 0.125 NPTF	
			ITEM 1 CANNOT BE PURCHASED INDIVIDUALLY BUT IS INCLUDED WITH THE CYLINDER.	
			ITEM 1: TUBE WELDMENT	
			ITEM 9 - 16 CANNOT BE PURCHASED INDIVIDUALLY BUT ARE INCLUDED IN THE SEAL KIT.	
			ITEM 9: O-RING	
			ITEM 10: O-RING	
			ITEM 11: BACKUP RING, DYNAMIC	
			ITEM 12: BACKUP RING	
			ITEM 13: DISO-PAC	
			ITEM 14: DEEP Z-SEAL	
			ITEM 15: HD ROD WIPER, SEALED OD	
			ITEM 16: SQUARE WRAP-IN WIRE	



WR37808 - HYD INSTL-KIT NO H FRM

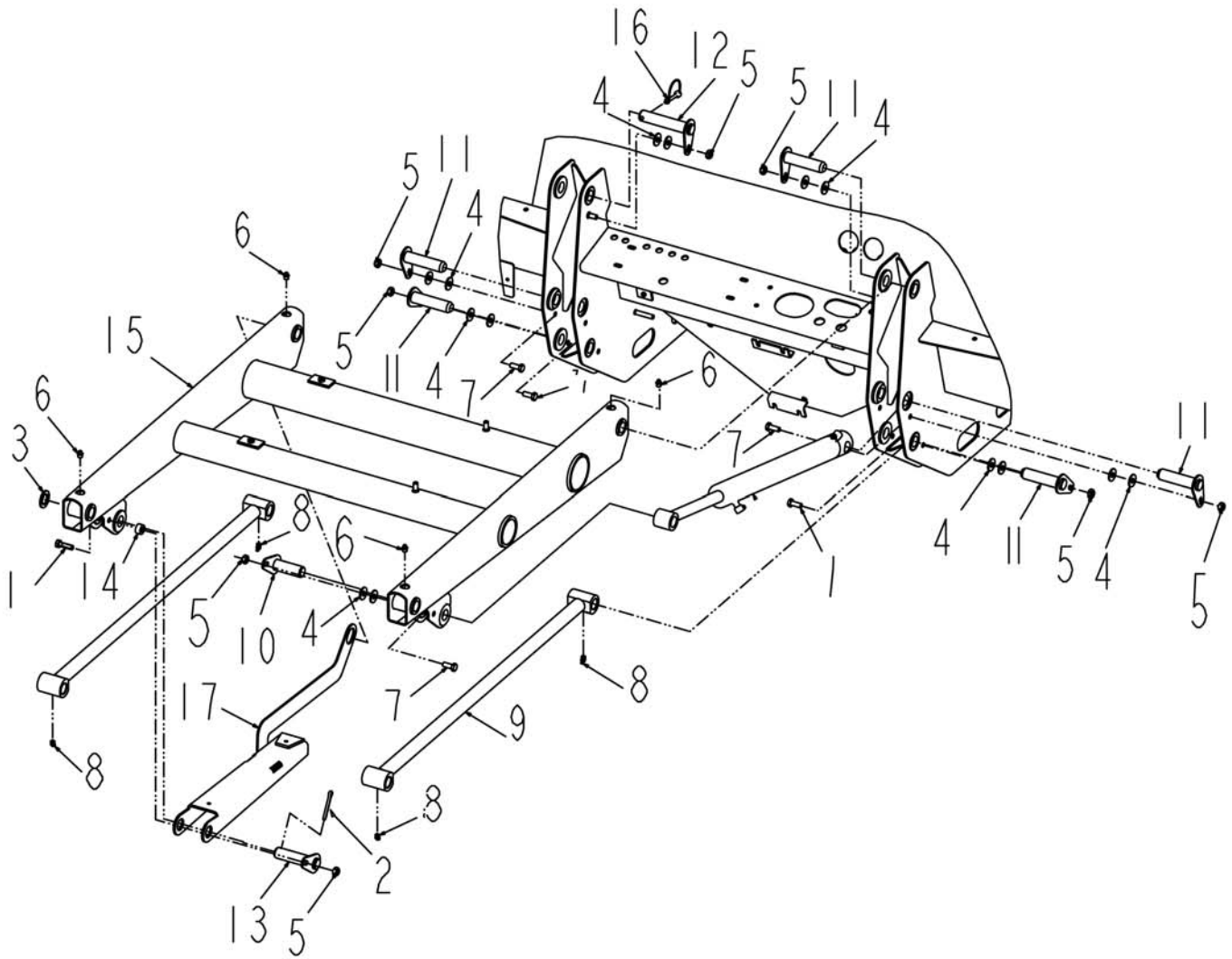
ITEM	PART #	QTY	DESCRIPTION	COMMENTS
1	WR32254	1	NUT-TOPLOCK,M8-1.25	
2	WR55043	3	SCREW-CAP HEX M8 X 75	
3	WR519123	2	TEE-RUN,STR THD -6	
4	WR550183	4	BOLT 0.31-18NCX 0.75 G5 ZN HHD	
5	WR550205	4	WASHER LK 0.31 ZN REG	
6	WR560693	11	ADAP STR 0.37MO-R X 0.37MJIC	
7	WR562401	1	ELBOW -6MB90X-6MJ	
8	WR708307	4	NUT CAP 0.37 FJIC	
9	6537283	2	HOSE-06FJX-06FJX90-04R1	
10	6577696	12	CLAMP-TUBELINE	
11	6652521	3	COVER-PLATE	
12	6801494	2	HOSE-06FJX-06FJX45-04R1	
13	WR37388	1	VALVE ASSY-6 SPOOL	SEE PAGE 3-13
14	WR37481	1	KIT-CARTRIDGE FOR WR37388	



WR122409 - CYLINDER-HYD,1.50X8.38X.75

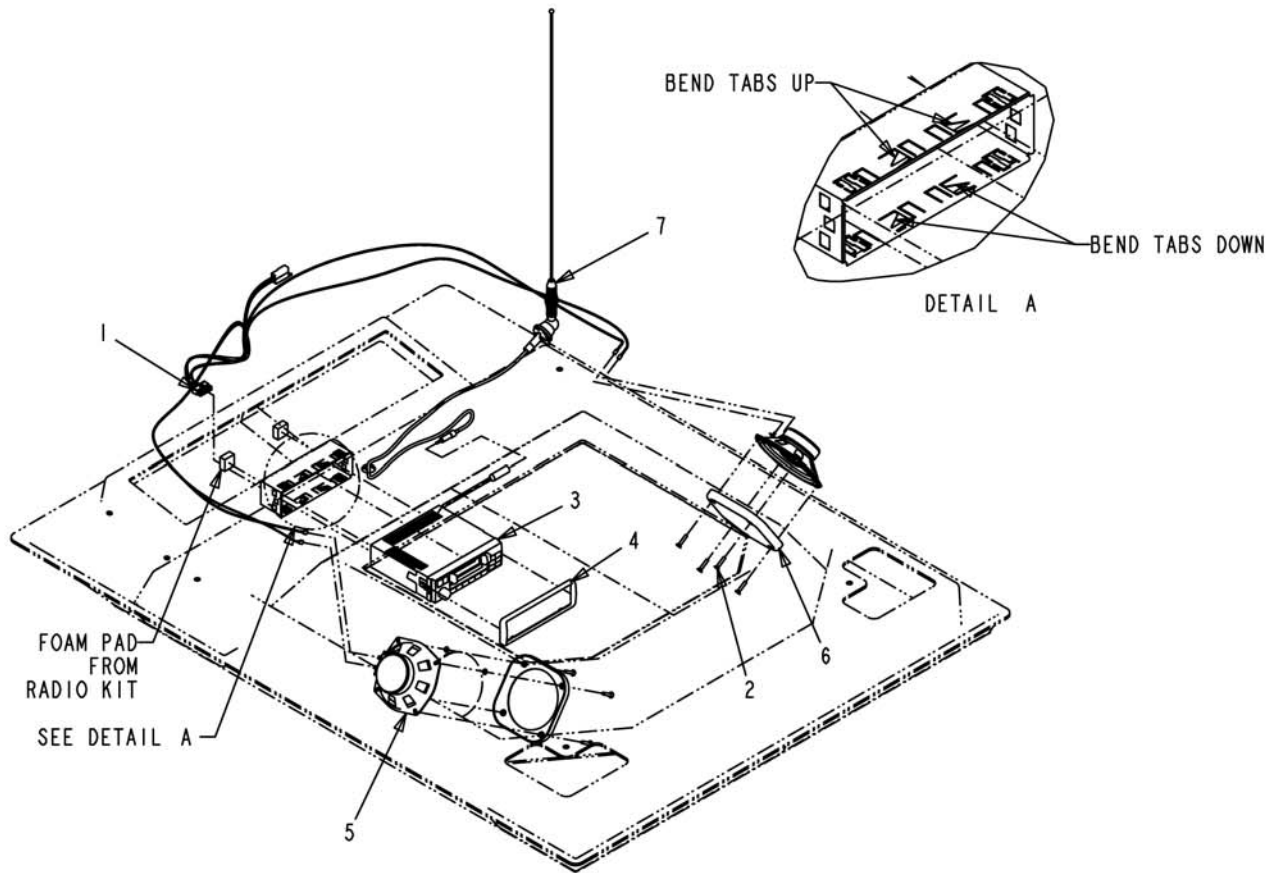
ITEM	PART #	QTY	DESCRIPTION	COMMENTS
0	WR122431	-	SEAL KIT-092DK0036	
0	WR550280	-	FITTING LUB.12-27NPTFX0.68	
2	WR131618	1	PISTON	
3	WR131597	1	HEAD, GLAND	
4	WR131574	1	ROD, CYLINDER	
5	WR131553	2	BEARING	
6	WR562578	1	NUT 0.50NF HEX LK NY ZN	
7	WR561892	2	FITTING LUBE STR 0.25UNF	
			ITEM 1 CANNOT BE PURCHASED INDIVIDUALLY BUT IS INCLUDED WITH THE CYLINDER.	
			ITEM 1: TUBE WELDMENT	
			ITEMS 8 - 15 CANNOT BE PURCHASED INDIVIDUALLY BUT ARE INCLUDED IN THE SEAL KIT.	
			ITEM 8: O-RING	
			ITEM 9: O-RING	
			ITEM 10: BACKUP RING	
			ITEM 11: DISO-PAC PISTON SEAL	
			ITEM 12: DZ SEAL	
			ITEM 13: HD ROD WIPER, SEALED OD	
			ITEM 14: WEARBAND	
			ITEM 15: SQUARE WRAP-IN WIRE	

WR37564 - BOOM LIFT GROUP



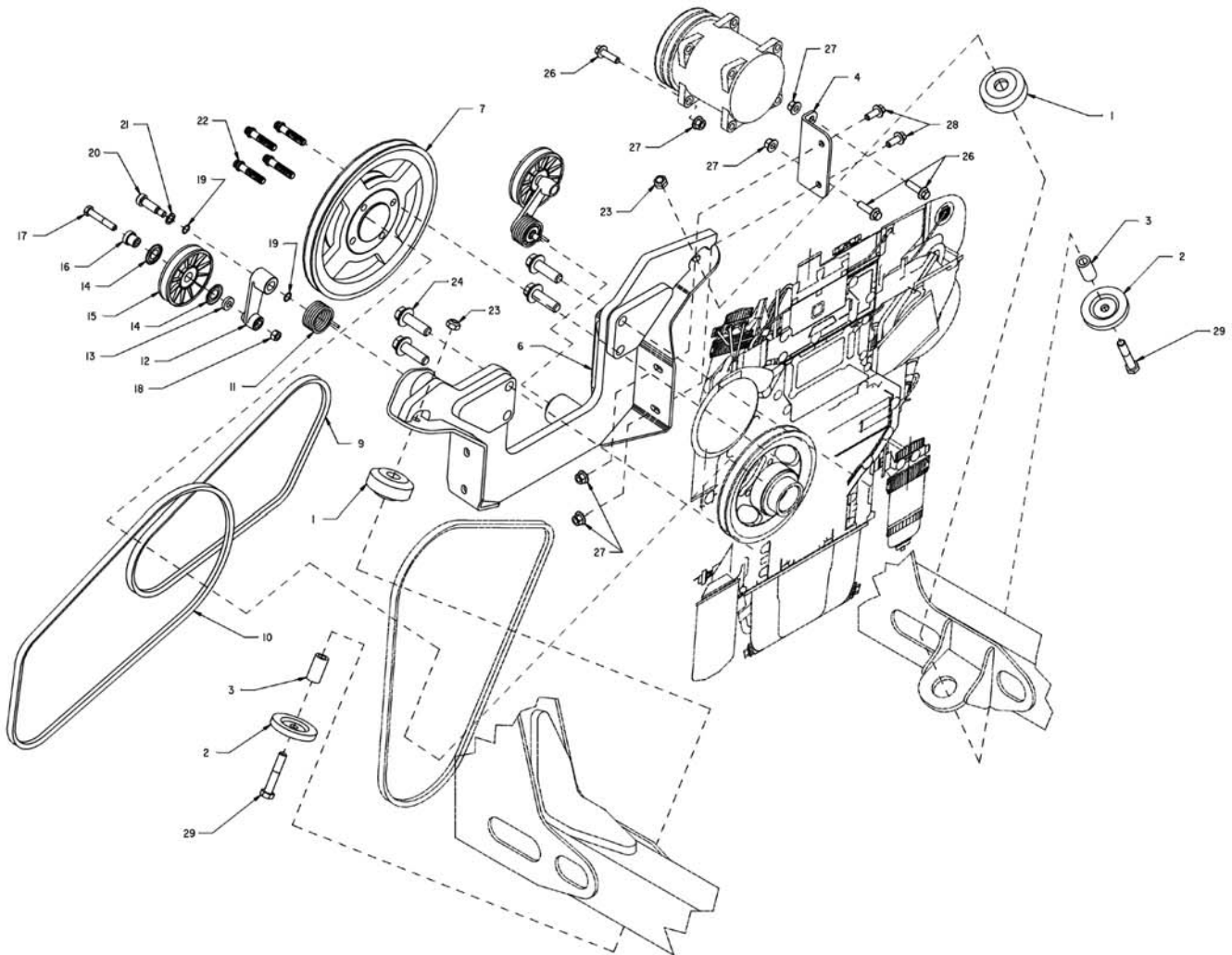
WR37564 - BOOM LIFT GROUP

ITEM	PART #	QTY	DESCRIPTION	COMMENTS
1	WR029298	1	BOLT M10-1.50X 35MM G8.8 ZN HH	
2	WR35925	1	PIN-COTTER,1/4 X 2.00	
3	WR55079	1	WASHER-PLAIN,24MM ID,LC,	
4	WR55158	14	WASHER-FLAT,10MM ID,	
5	WR55272	8	NUT-LOCK,M10 X 1.5,PREV	
6	WR550280	4	FITTING LUB.12-27NPTFX0.68	
7	WR561683	5	BOLT M10-1.5 X 25MM G8.8 ZN HH	
8	WR562551	4	ZERK 45D 0.125 NPT	
9	6618833	2	LINK-W/A	
10	6618835	1	PIN-W/A	
11	6618836	5	PIN-W/A	
12	6626661	1	PIN-W/A	
13	6626663	1	PIN-W/A	
14	6626810	1	BUSHING	
15	6626991	1	FRAME-BOOM LIFT,W/A	
16	6656009	1	PIN-SNAPPER	
17	6804303	1	CHANNEL-W/A	



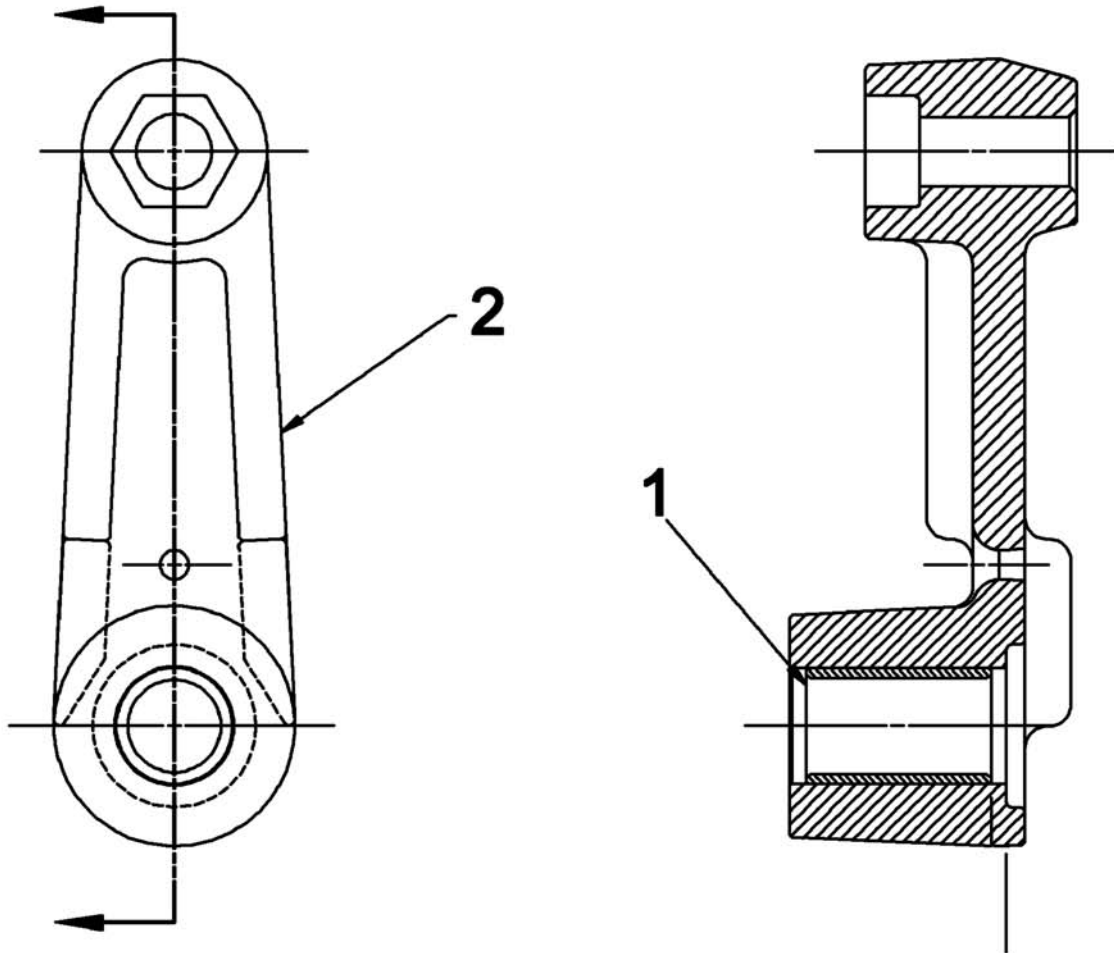
WR55511 - KIT-RADIO,SC,EUROPE

ITEM	PART #	QTY	DESCRIPTION	COMMENTS
1	WR55514	1	WIRE HARNESS-RADIO,SC	
2	WR55519	8	SCREW-MACH CR,#10 NF X 1.0	
3	WR55533	1	RADIO-AM/FM/CASSETTE	
4	WR127298	1	TRIM RING	
5	6661984	2	SPEAKER	
6	6661988	2	GRILL	
7	6662753	1	ANTENNA	



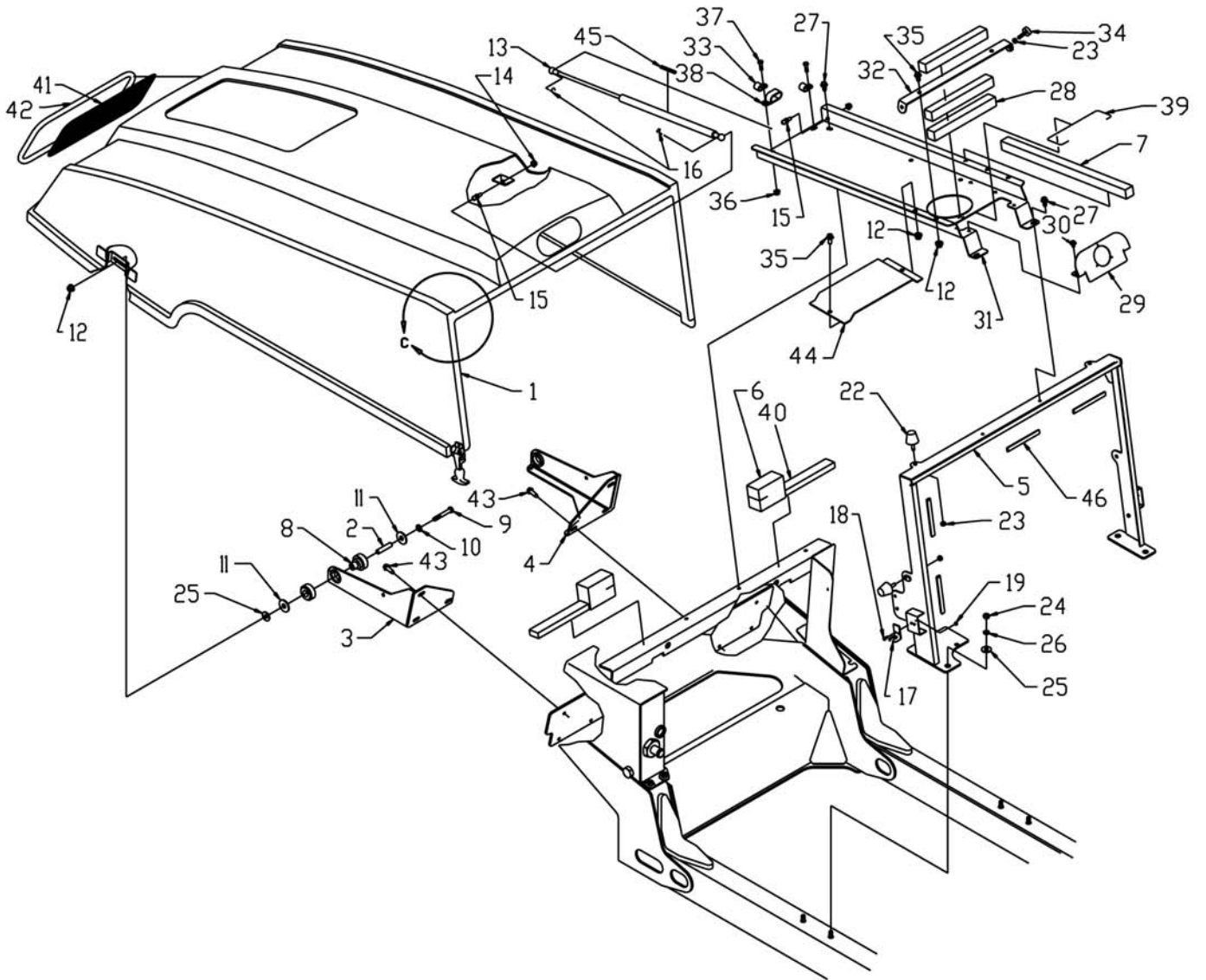
6597917 - ENG SUPPORT GROUP-PERKINS

ITEM	PART #	QTY	DESCRIPTION	COMMENTS
0	6597614	-	INSTL-ENGINE SUPPORT	
1	6661785	2	MOUNT-ENGINE	
2	6661787	2	WASHER-SNUBBING	
3	6706043	2	TUBE-SPACER	
4	6800795	1	BRACE, A/C MOUNT	
6	6801634	1	MOUNT-W/A	
7	6597481	1	PULLEY-MACH	
9	6801631	1	BELT-COMPRESSOR,A/C	
10	6627918	1	BELT-PUMP,SPRAY	
11	6700722	2	SPRING-TORSION	
12	6703507	2	ARM ASSY-PULLEY	SEE PAGE 4-4
13	6704444	2	WASHER-COUNTRBORED	
14	6660995	4	RING-GREASE	
15	6662997	2	PULLEY-IDLER	
16	6704443	2	BUSHING-SPACER	
17	WR552127	2	BOLT 0.37-16NCX 2.25 G5 ZN HHD	
18	WR550825	2	NUT 0.37-16NC HEX ZN REG	
19	6704820	4	O RING-METRIC	
20	WR55268	2	SCREW-SH HEX 3/8 NC X	
21	6655781	2	BEARING-THRUST	
22	WR55385	4	SCREW-FLANGE 12PT, 7/16 X	
23	WR55354	2	NUT-TOPLOCK, 1/2-13UNC G8	
24	WR55222	4	SCREW-HEX FLG,M16X2X50 CL8.8	
26	WR55217	4	SCREW-HEX FLG,M10X1.5Z35 CL8.8	
27	WR55301	6	NUT-FLANGE,M10 X 1.5,PREV	
28	WR55215	2	SCREW-HEX FLG,M10X1.5X25 CL8.8	
29	WR551392	2	BOLT 0.50-13NCX 2.75 G5 ZN HHD	



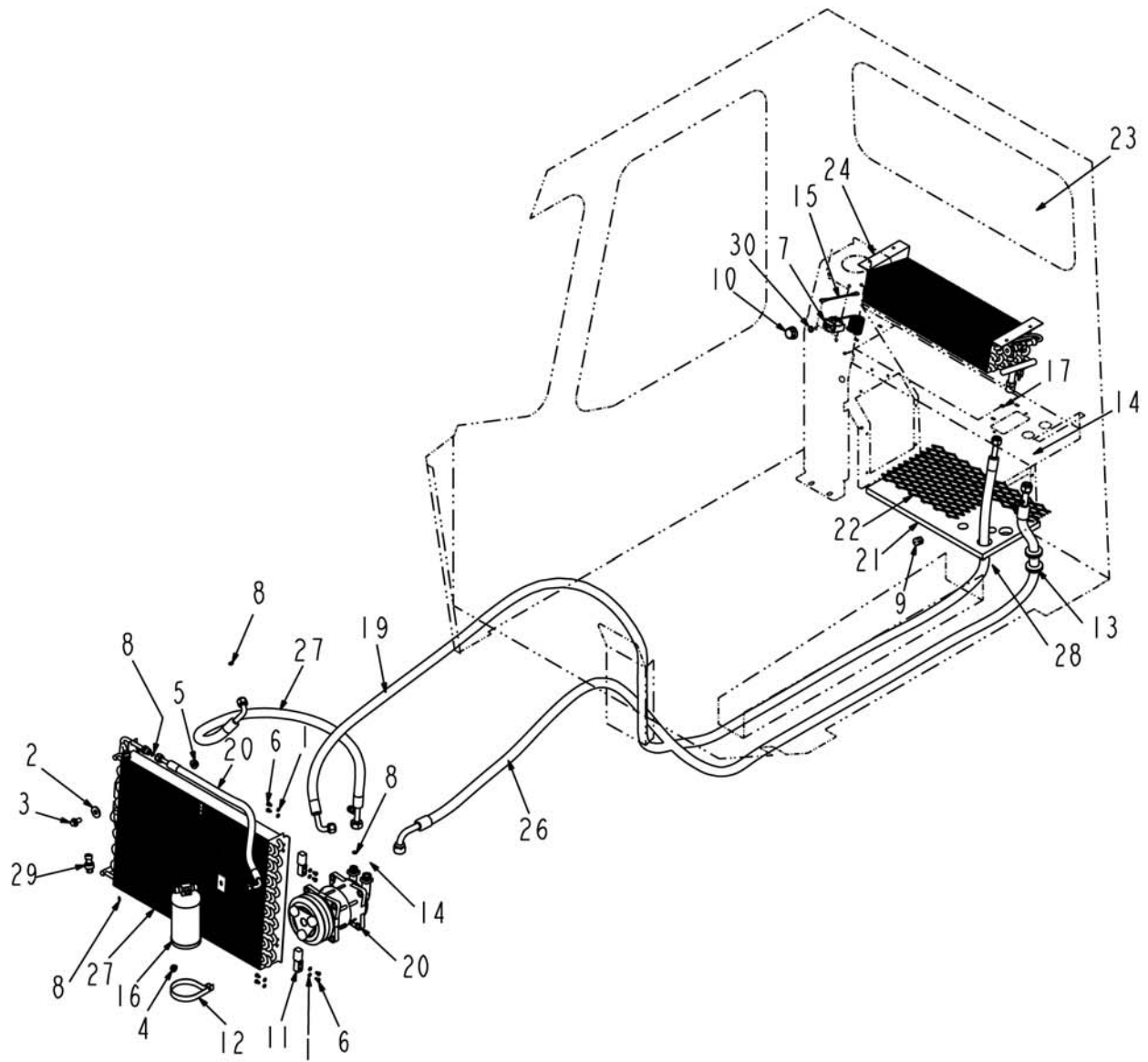
6703507 - ARM ASSY-PULLEY

ITEM	PART #	QTY	DESCRIPTION	COMMENTS
1	6670682	1	SLEEVE-BEARING	
2	6703506	1	ARM-PULLEY	



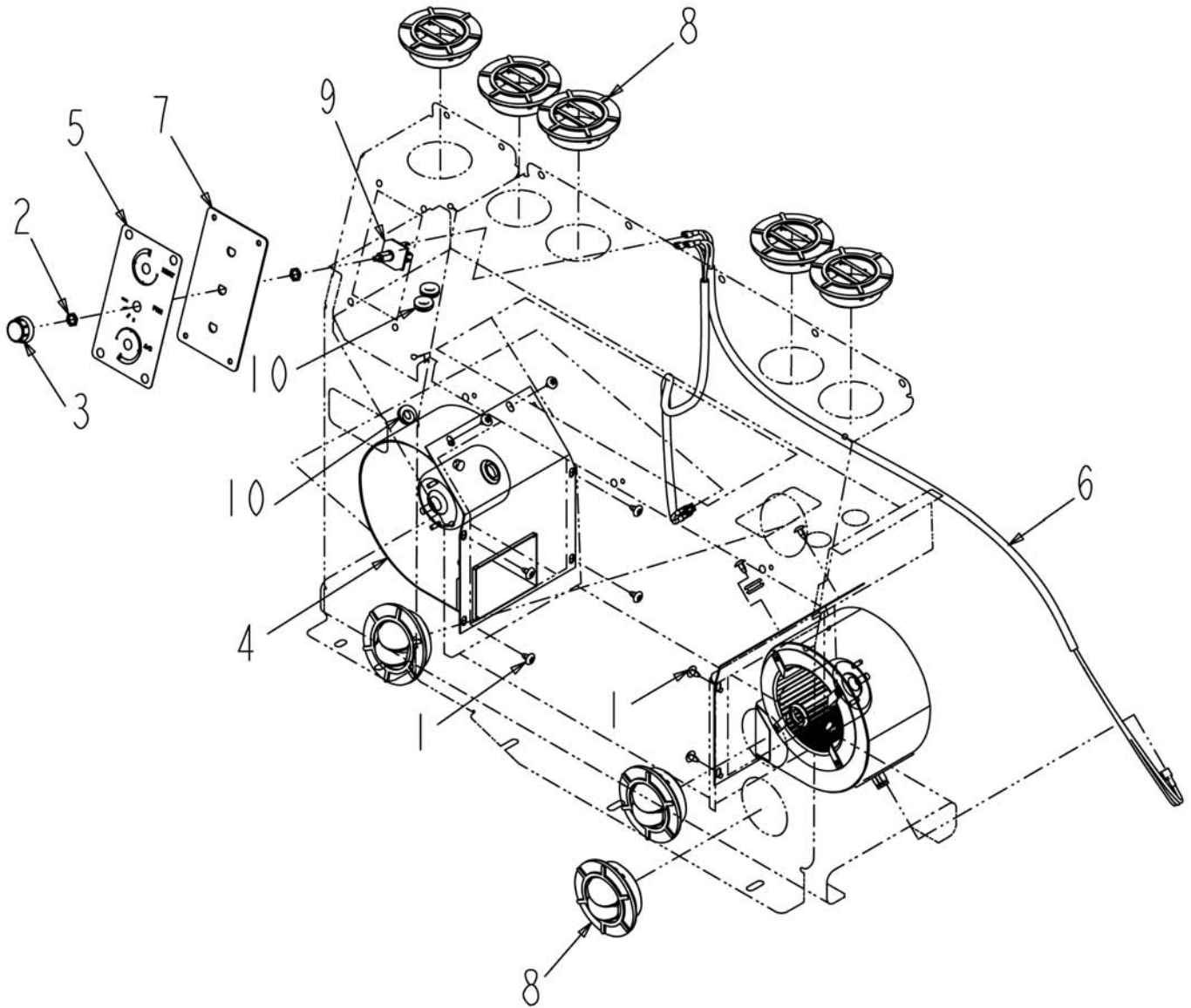
6597921 - ENG COVER GROUP-WF SC

ITEM	PART #	QTY	DESCRIPTION	COMMENTS
0	WR55819	1	SCREEN-HOOD	
0	WR55874	1	MOLDING-UPPER GRILLE,78 IN	
0	72200288	1	EMBLEM-AGCO,FRONT 3 IN LONG	
0	70937557	2	NUT-SPEED,PUSH ON .156	
0	6597919	-	INSTL-COVER,ENG,W-F	
0	WR550825	1	NUT 0.37-16NC HEX ZN REG	
1	WR121343	1	COVER-ENG,WE W/MNT	
2	6596456	2	BUSHING-HINGE	
3	6596526	1	SUPPORT-HINGE,W/A,L	
4	6596527	1	SUPPORT-HINGE,W/A,R	
5	6802808	1	SUPPORT W/A	
6	6596967	2	INSULATION-CHANNEL,AIR	
7	6802455	2	INSULATION-CHANNEL,AIR	
8	6661194	2	MOUNT-RUBBER	
9	WR55051	2	SCREW-CAP HEX M10 X 70	
10	WR55075	2	WASHER-PLAIN,10MM ID,LC,	
11	WR55159	4	WASHER-FLAT,12MM ID,	
12	WR55301	6	NUT-FLANGE,M10 X 1.5,PREV	
13	6667296	1	SPRING-GAS	
14	WR55352	2	NUT-TOPLOCK,5/16-18UNC G8	
15	6661632	2	STUD	
16	6646598	2	CLIP-STUD	
17	1545623	2	KEEPER	
18	WR55026	4	SCREW-CAP HEX M5 X 12	
19	WR55412	4	NUT-LOCK,M5 X .8,PREV	
21	WR55156	2	WASHER-FLAT,5MM ID,	
22	6649040	4	BUMPER-RUBBER	
23	WR550213	6	NUT 0.31-18NC HEX ZN REG	
24	WR50838	3	NUT-HEX,METRIC M10-1.5	
25	WR55158	6	WASHER-FLAT,10MM ID,	
26	WR55106	4	WASHER-LOCK SPRING,10 MM	
27	WR55191	4	HEX HEAD,THREAD ROLLING SCREW	
28	6596966	3	INSULATION-CHANNEL,AIR	
29	6628922	1	MOUNT-GAUGE	
30	WR55188	2	SCREW-CAP HEX M8 X 13,	
31	6597666	1	CHANNEL-HOSE	
32	6628540	1	SUPPORT-W/A	
33	WR50830	2	CLAMP-SUPPORT,CUSHION,	
34	6655399	2	BUMPER	
35	WR55214	4	SCREW-HEX FLG,M10X1.5X20 CL8.8	
36	WR55410	2	NUT-FLANGE,M8 X 1.25 CL8,	
37	WR55036	2	SCREW-CAP HEX M8 X 25	
38	WR55247	1	CLAMP-SUPPORT CUSHION DBL	
39	6596970	1	EDGE	
40	6597604	1	INSULATION	
41	6597553	1	SCREEN-GRILL	
42	6597550	1	RUBBER-STRIP	
43	WR55404	6	SCREW-CAP HEX M10 X 30,	
44	6802456	1	COVER-AIR CLEANER	
45	6577754	1	DECAL-WARNING	
46	6803710	4	RUBBER-STRIP	



6668716 - AIR CONDITIONER-KIT

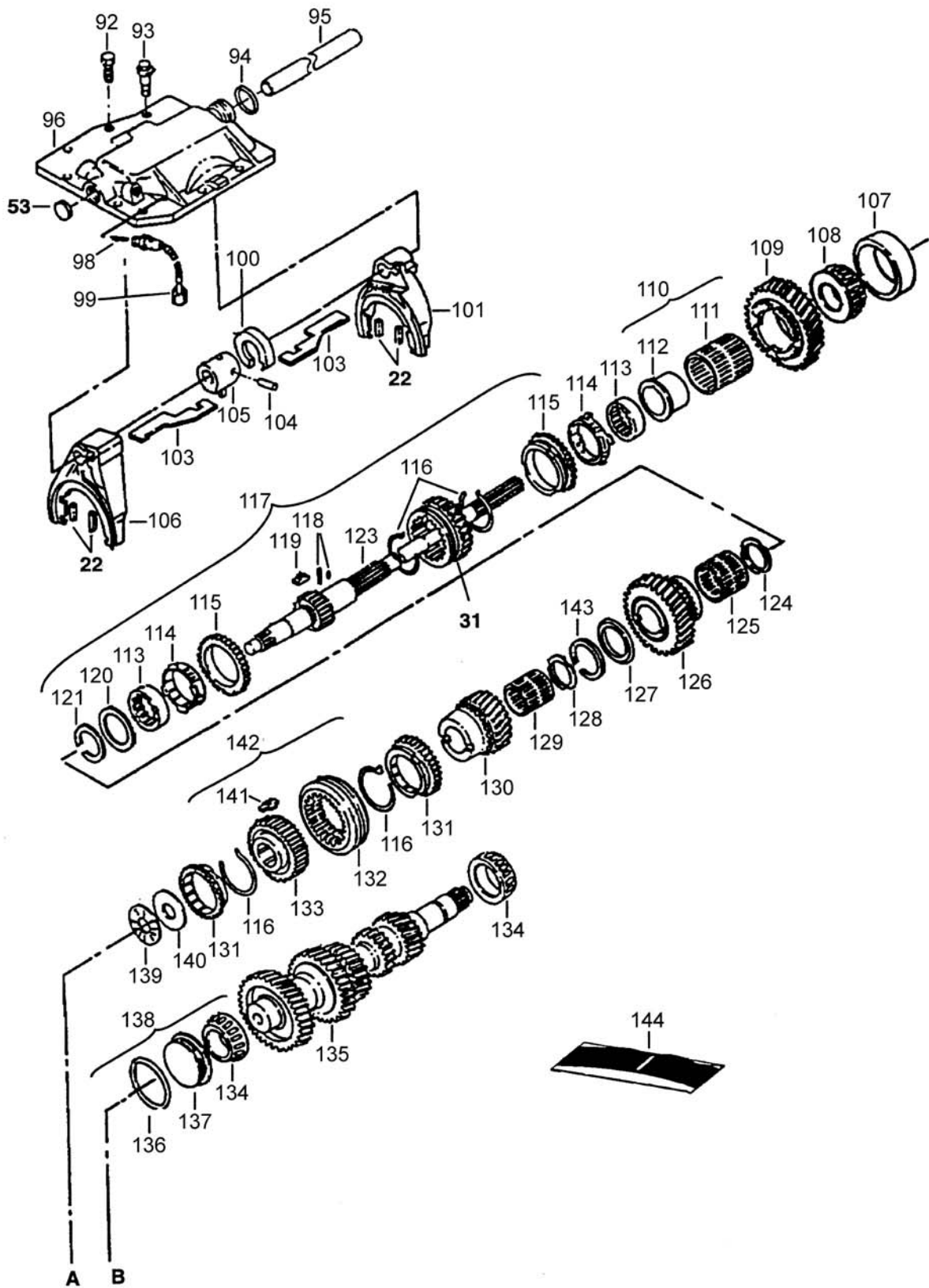
ITEM	PART #	QTY	DESCRIPTION	COMMENTS
1	WR55103	8	WASHER-LOCK SPRING,5MM ID	
2	WR55158	1	WASHER-FLAT,10MM ID,	
3	WR55214	1	SCREW-HEX FLG,M10X1.5X20 CL8.8	
4	WR55280	1	NUT-FLANGE,M8 X 1.25	
5	WR55281	1	NUT-FLANGE,M10 X 1.5	
6	WR128367	8	SCREW-CAP,HEX,M5X.08X8MM	
7	6630820	1	COLD CONTROL	
8	6648475	5	O-RING #8	
9	6658967	1	CAP-ACCESS PORT	
10	6660822	1	KNOB	
11	6662646	2	HINGE KNUCKLE	
12	6662648	1	CLAMP	
13	6662655	2	GROMMET	
14	6662666	2	O-RING #10	
15	6662669	1	WIRE ASSEMBLY	
16	6665543	1	HOSE	
17	6665544	1	HOSE	
18	6665560	1	COMPRESSOR	
19	6668952	1	VALVE EVAPORATOR	
20	6668991	1	DRAIN FOAM	
21	6668992	1	DRAIN SCREEN	
22	6668997	1	BRACKET EVAPORATOR COIL PLATE	
23	6668998	1	EVAPORATOR	
24	6669344	1	DRYER,AC	
25	6669725	1	HOSE ASSY	
26	6669726	1	HOSE ASSY	
27	6671715	1	CONDENSOR COIL	
28	6705164	2	GROMMET	
29	7000003	1	SWITCH-BINARY	
30	WR36330	2	NUT-PANEL,7/16-28UNEF HEX	
30	WR26451	1	O-RING #004	



6661067 - BLOWER-KIT

ITEM	PART #	QTY	DESCRIPTION	COMMENTS
1	6589675	12	SCREW-TR HD,TAPPING	
2	WR36330	2	NUT-PANEL,7/16-28UNEF HEX	
3	6660822	1	KNOB	
4	6662674	2	FAN-ASSEMBLY	
5	6662675	1	DECAL, SWITCH, FAN	
6	6662676	1	HARNES-FAN	
7	6662680	1	PLATE,SWITCH	
8	WR36335	8	LOUVER	
9	WR36341	1	SWITCH-FAN	
10	WR36347	4	GROMMET-RUBBER,1.00ID X	

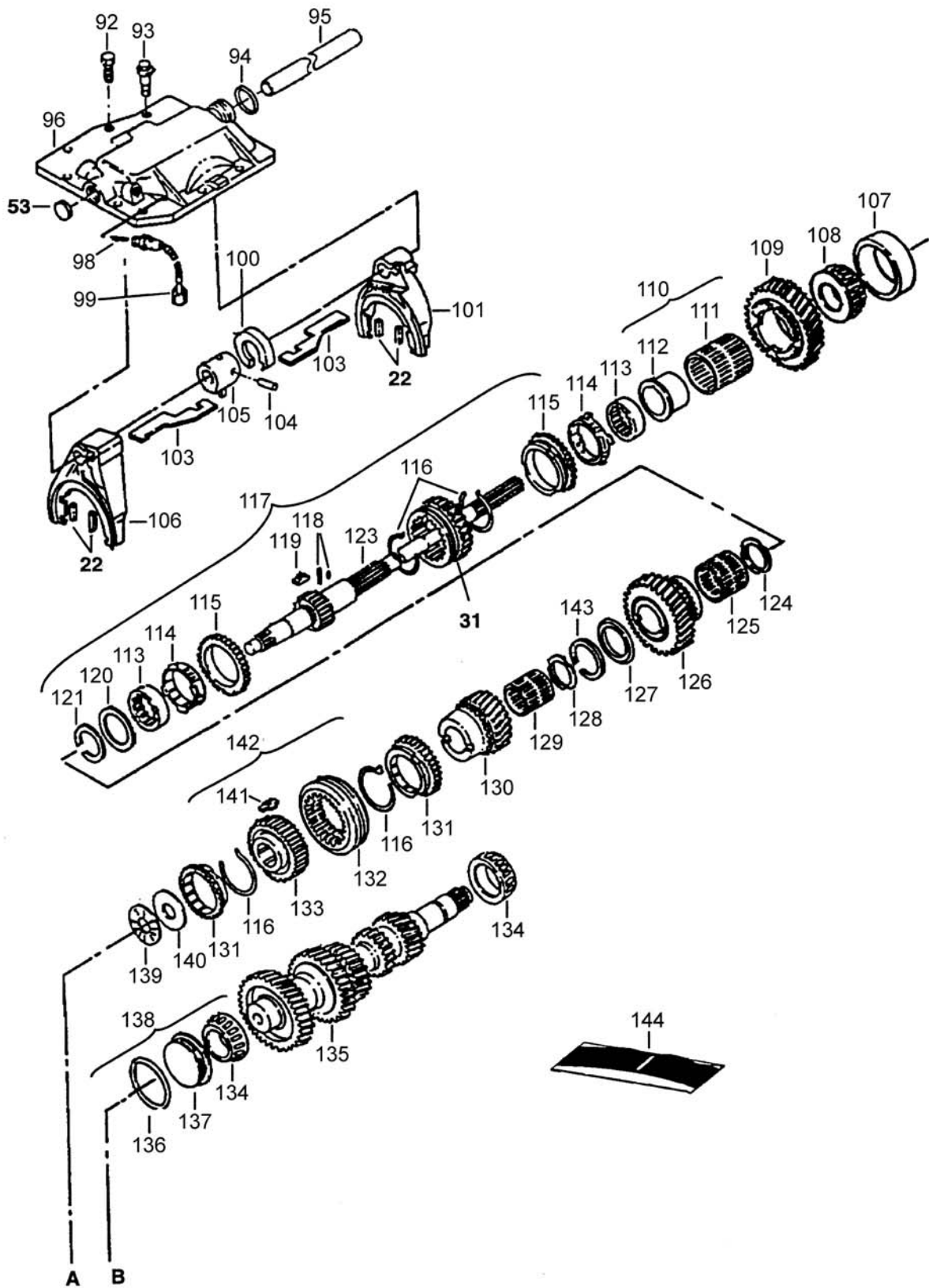
6661411 - TRANSMISSION ASSY



6661411 - TRANSMISSION ASSY

ITEM	PART #	QTY	DESCRIPTION	COMMENTS
1	6661840	2	PLUG	
2	6661841	4	BOLT	
3	6661842	1	LEVER	
4	6661843	1	BOOT	
5	6661845	3	ROLL PIN	
6	6661851	1	SLEEVE	
7	6661850	1	LEVER	
8	6661853	1	SPRING	
9	6661852	1	BALL	
10	6661848	1	PLATE	
11	6661844	1	BREATHER	
12	6661847	1	EXTENSION	
13	6661846	8	BOLT	
14	6661963	1	PLUG	
15	6661849	1	PLUG	
16	WR55169	1	ADAPTER-08MP/-02FP	
17	6664210	1	SWITCH TEMP	
18	6661854	1	SEAL	
21	6661877	1	FORK	
22	6661862	12	INSERT	
23	6661878	1	RAIL	
24	6661947	1	FORK	
25	6661872	1	LEVER	
26	6661869	1	RING	
27	6661946	1	SPRING	
28	6661855	1	FUNNEL	
29	6661873	1	SNAP RING	
30	6661976	1	WASHER	
31	6661975	1	CONE BLOCKING	
32	6661879	1	RING BLOCKING	
33	6661875	2	SPRING	
35	6661876	3	INSERT	
37	6661880	1	GEAR	
38	6661874	1	SYNCHRONIZER	
39	6661948	4	BOLT	
40	6661949	1	RETINER	
41	6661950	1	SHIM KIT .1005-.1515 35PCS	
41	6661954	1	SHIM KIT.111-.120 7PCS	
41	6661951	1	SHIM KIT .1215-.1305 7PCS	
41	6661952	1	SHIM KIT .132-.141 7 PCS	
41	6661953	1	SHIM KIT .1425-.1530 7PCS	
42	6661958	1	CUP	
43	6661881	1	SNAP RING	
44	6661919	1	GEAR	
45	6661955	1	SHAFT	
46	6661956	1	GEAR	
47	6661957	1	O-RING	
48	6661870	1	PIN	
50	6661967	1	BOLT	
51	6661966	1	WIRE CLIP	
52	6661972	1	MAGNET	
53	6661867	4	PLUG	
54	6661961	1	CASE	
55	WR128555	5	RETAINER BOLT M8 X 20	
56	6661884	1	SEAL	
57	6661885	-	SHIM .014	
58	6661886	-	SHIM .016	
59	6661887	-	SHIM .018	
60	6661888	-	SHIM .012	
61	6661889	-	SHIM .020	
62	6661890	-	SHIM .036	
63	6661891	-	SHIM .022	
64	6661892	-	SHIM .023	
65	6661893	-	SHIM .024	
66	6661894	-	SHIM .025	
67	6661895	-	SHIM .026	
68	6661896	-	SHIM .027	
69	6661897	-	SHIM .028	
70	6661898	-	SHIM .029	

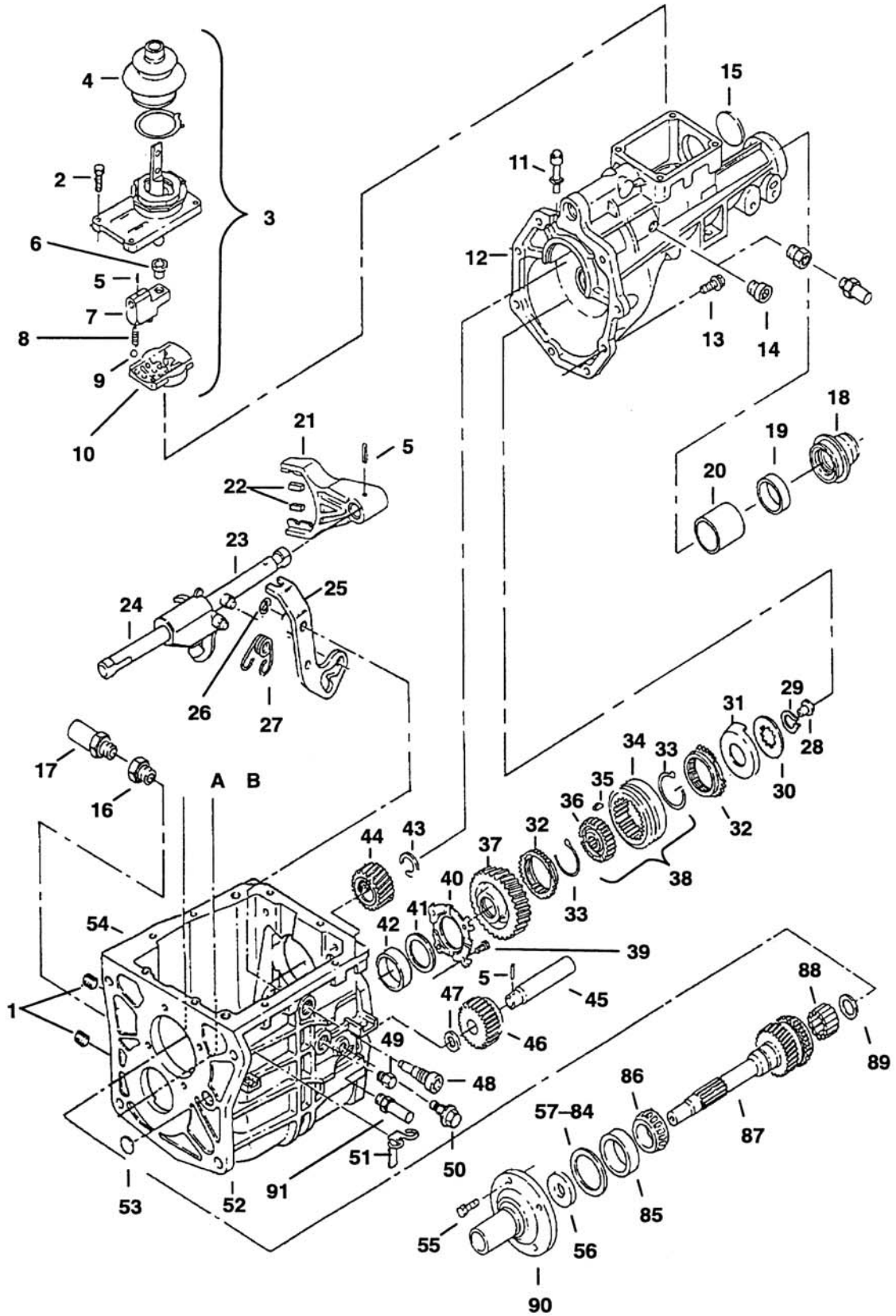
6661411 - TRANSMISSION ASSY



6661411 - TRANSMISSION ASSY

ITEM	PART #	QTY	DESCRIPTION	COMMENTS
71	6661899	-	SHIM .030	
72	6661900	-	SHIM .031	
73	6661901	-	SHIM .032	
74	6661902	-	SHIM .033	
75	6661903	-	SHIM .034	
76	6661904	-	SHIM .035	
77	6661905	-	SHIM .037	
78	6661906	-	SHIM .038	
79	6661907	-	SHIM .039	
80	6661908	-	SHIM .040	
81	6661909	-	SHIM .041	
82	6661910	-	SHIM .042	
83	6661911	-	SHIM .043	
84	6661912	-	SHIM .044	
85	6661913	1	CUP	
86	6661914	1	BEARING	
87	6661915	1	SHAFT-INPUT	
88	6661916	15	BEARING	
89	6661924	1	SPACER	
90	6665908	1	RETAINER	
91	7000014	1	SWITCH-BACKUP	
92	6661856	8	BOLT	
93	6661857	2	BOLT	
94	6661866	1	O-RING	
95	6661859	1	SHAFT	
96	6661868	1	COVER	
98	6661964	1	PIN	
99	6661965	1	SWITCH	
100	6661864	1	PLATE	
101	6661861	1	FORK	
103	6661865	1	PLATE	
104	6661858	1	PIN	
105	6661863	1	ARM	
106	6661860	1	FORK	
107	6661920	1	CUP	
108	6661921	1	BEARING	
109	6661922	1	GEAR	
110	6661923	1	SLEEVE	
113	6661940	2	CONE	
114	6661941	2	RACE	
115	6661942	2	RING BLOCKING	
116	6661927	4	SPRING	
117	6661937	1	SHAFT ASSEMBLY	
119	6661944	3	INSERT	
120	6661939	1	WASHER	
121	6661938	1	RING	
124	6661936	1	SPACER	
125	6661935	1	BEARING	
126	6661934	1	GEAR	
127	6661933	1	WASHER	
128	6661931	1	SPACER	
129	6661930	1	BEARING	
130	6661929	1	GEAR	
131	6661925	2	RING	
134	6661959	2	BEARING	
135	6661960	1	GEAR	
138	6661982	1	CUP	
139	6661917	1	BEARING	
140	6661918	1	BRACE	
141	6661928	3	INSERT	
142	6661926	1	SYNCHRONIZER	
143	6661932	1	SNAP RING	
144	6665340	1	KIT	

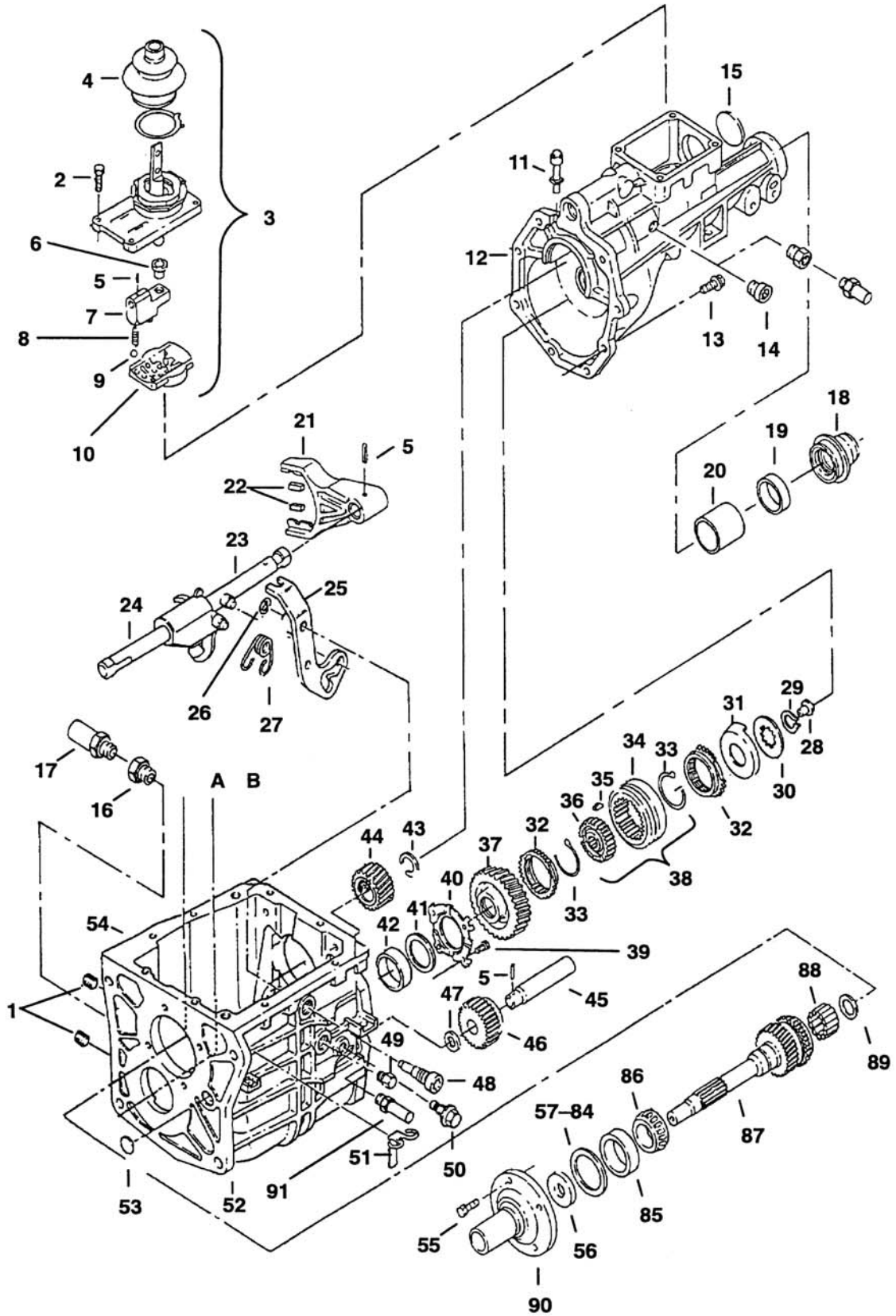
6661411 - TRANSMISSION ASSY



6661411 - TRANSMISSION ASSY

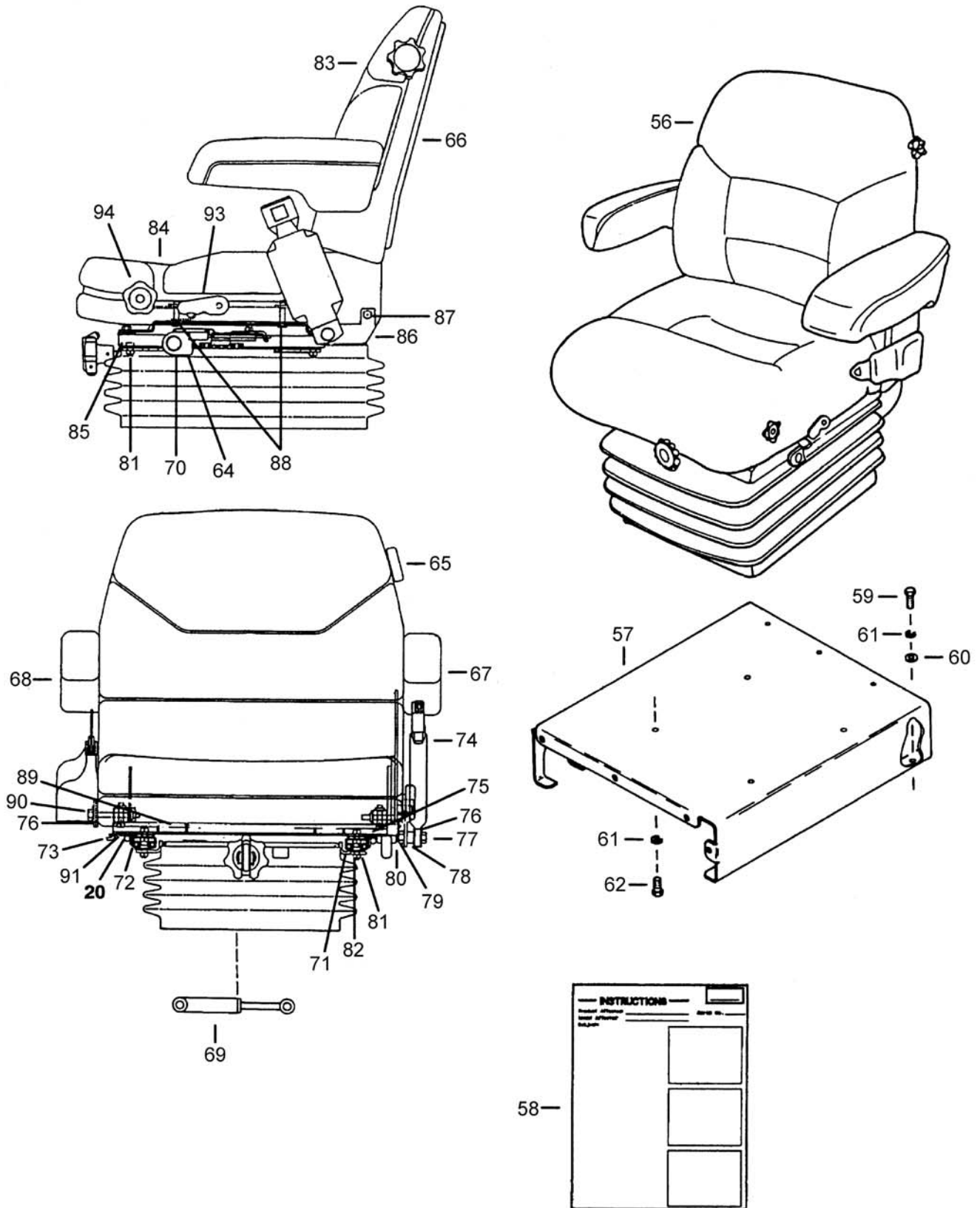
ITEM	PART #	QTY	DESCRIPTION	COMMENTS
1	6661840	2	PLUG	
2	6661841	4	BOLT	
3	6661842	1	LEVER	
4	6661843	1	BOOT	
5	6661845	3	ROLL PIN	
6	6661851	1	SLEEVE	
7	6661850	1	LEVER	
8	6661853	1	SPRING	
9	6661852	1	BALL	
10	6661848	1	PLATE	
11	6661844	1	BREATHER	
12	6661847	1	EXTENSION	
13	6661846	8	BOLT	
14	6661963	1	PLUG	
15	6661849	1	PLUG	
16	WR55169	1	ADAPTER-08MP/-02FP	
17	6664210	1	SWITCH TEMP	
18	6661854	1	SEAL	
21	6661877	1	FORK	
22	6661862	12	INSERT	
23	6661878	1	RAIL	
24	6661947	1	FORK	
25	6661872	1	LEVER	
26	6661869	1	RING	
27	6661946	1	SPRING	
28	6661855	1	FUNNEL	
29	6661873	1	SNAP RING	
30	6661976	1	WASHER	
31	6661975	1	CONE BLOCKING	
32	6661879	1	RING BLOCKING	
33	6661875	2	SPRING	
35	6661876	3	INSERT	
37	6661880	1	GEAR	
38	6661874	1	SYNCHRONIZER	
39	6661948	4	BOLT	
40	6661949	1	RETINER	
41	6661950	1	SHIM KIT .1005-.1515 35PCS	
41	6661954	1	SHIM KIT.111-.120 7PCS	
41	6661951	1	SHIM KIT .1215-.1305 7PCS	
41	6661952	1	SHIM KIT .132-.141 7 PCS	
41	6661953	1	SHIM KIT .1425-.1530 7PCS	
42	6661958	1	CUP	
43	6661881	1	SNAP RING	
44	6661919	1	GEAR	
45	6661955	1	SHAFT	
46	6661956	1	GEAR	
47	6661957	1	O-RING	
48	6661870	1	PIN	
50	6661967	1	BOLT	
51	6661966	1	WIRE CLIP	
52	6661972	1	MAGNET	
53	6661867	4	PLUG	
54	6661961	1	CASE	
55	WR128555	5	RETAINER BOLT M8 X 20	
56	6661884	1	SEAL	
57	6661885	-	SHIM .014	
58	6661886	-	SHIM .016	
59	6661887	-	SHIM .018	
60	6661888	-	SHIM .012	
61	6661889	-	SHIM .020	
62	6661890	-	SHIM .036	
63	6661891	-	SHIM .022	
64	6661892	-	SHIM .023	
65	6661893	-	SHIM .024	
66	6661894	-	SHIM .025	
67	6661895	-	SHIM .026	
68	6661896	-	SHIM .027	
69	6661897	-	SHIM .028	
70	6661898	-	SHIM .029	

6661411 - TRANSMISSION ASSY



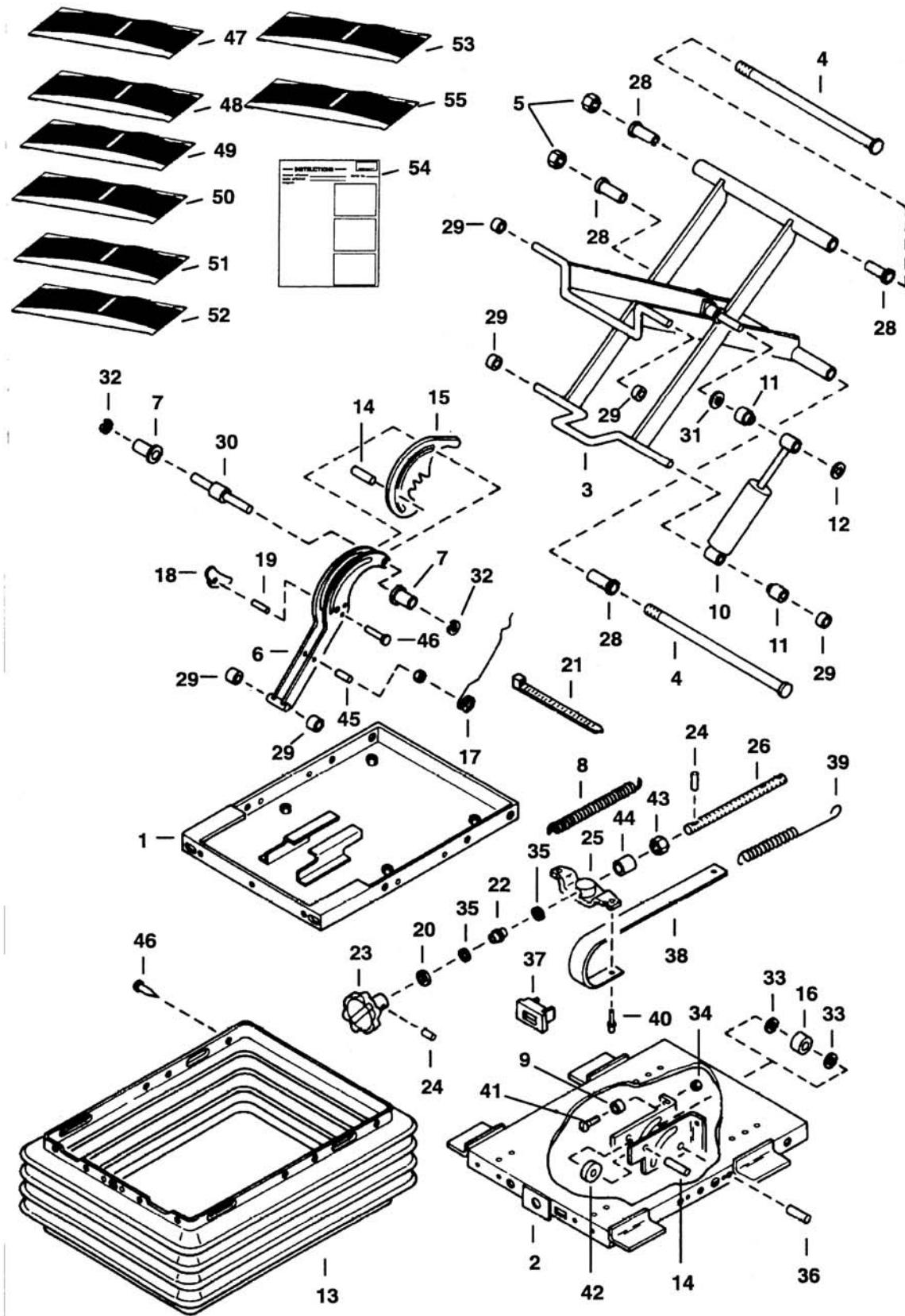
6661411 - TRANSMISSION ASSY

ITEM	PART #	QTY	DESCRIPTION	COMMENTS
71	6661899	-	SHIM .030	
72	6661900	-	SHIM .031	
73	6661901	-	SHIM .032	
74	6661902	-	SHIM .033	
75	6661903	-	SHIM .034	
76	6661904	-	SHIM .035	
77	6661905	-	SHIM .037	
78	6661906	-	SHIM .038	
79	6661907	-	SHIM .039	
80	6661908	-	SHIM .040	
81	6661909	-	SHIM .041	
82	6661910	-	SHIM .042	
83	6661911	-	SHIM .043	
84	6661912	-	SHIM .044	
85	6661913	1	CUP	
86	6661914	1	BEARING	
87	6661915	1	SHAFT-INPUT	
88	6661916	15	BEARING	
89	6661924	1	SPACER	
90	6665908	1	RETAINER	
91	7000014	1	SWITCH-BACKUP	
92	6661856	8	BOLT	
93	6661857	2	BOLT	
94	6661866	1	O-RING	
95	6661859	1	SHAFT	
96	6661868	1	COVER	
98	6661964	1	PIN	
99	6661965	1	SWITCH	
100	6661864	1	PLATE	
101	6661861	1	FORK	
103	6661865	1	PLATE	
104	6661858	1	PIN	
105	6661863	1	ARM	
106	6661860	1	FORK	
107	6661920	1	CUP	
108	6661921	1	BEARING	
109	6661922	1	GEAR	
110	6661923	1	SLEEVE	
113	6661940	2	CONE	
114	6661941	2	RACE	
115	6661942	2	RING BLOCKING	
116	6661927	4	SPRING	
117	6661937	1	SHAFT ASSEMBLY	
119	6661944	3	INSERT	
120	6661939	1	WASHER	
121	6661938	1	RING	
124	6661936	1	SPACER	
125	6661935	1	BEARING	
126	6661934	1	GEAR	
127	6661933	1	WASHER	
128	6661931	1	SPACER	
129	6661930	1	BEARING	
130	6661929	1	GEAR	
131	6661925	2	RING	
134	6661959	2	BEARING	
135	6661960	1	GEAR	
138	6661982	1	CUP	
139	6661917	1	BEARING	
140	6661918	1	BRACE	
141	6661928	3	INSERT	
142	6661926	1	SYNCHRONIZER	
143	6661932	1	SNAP RING	
144	6665340	1	KIT	



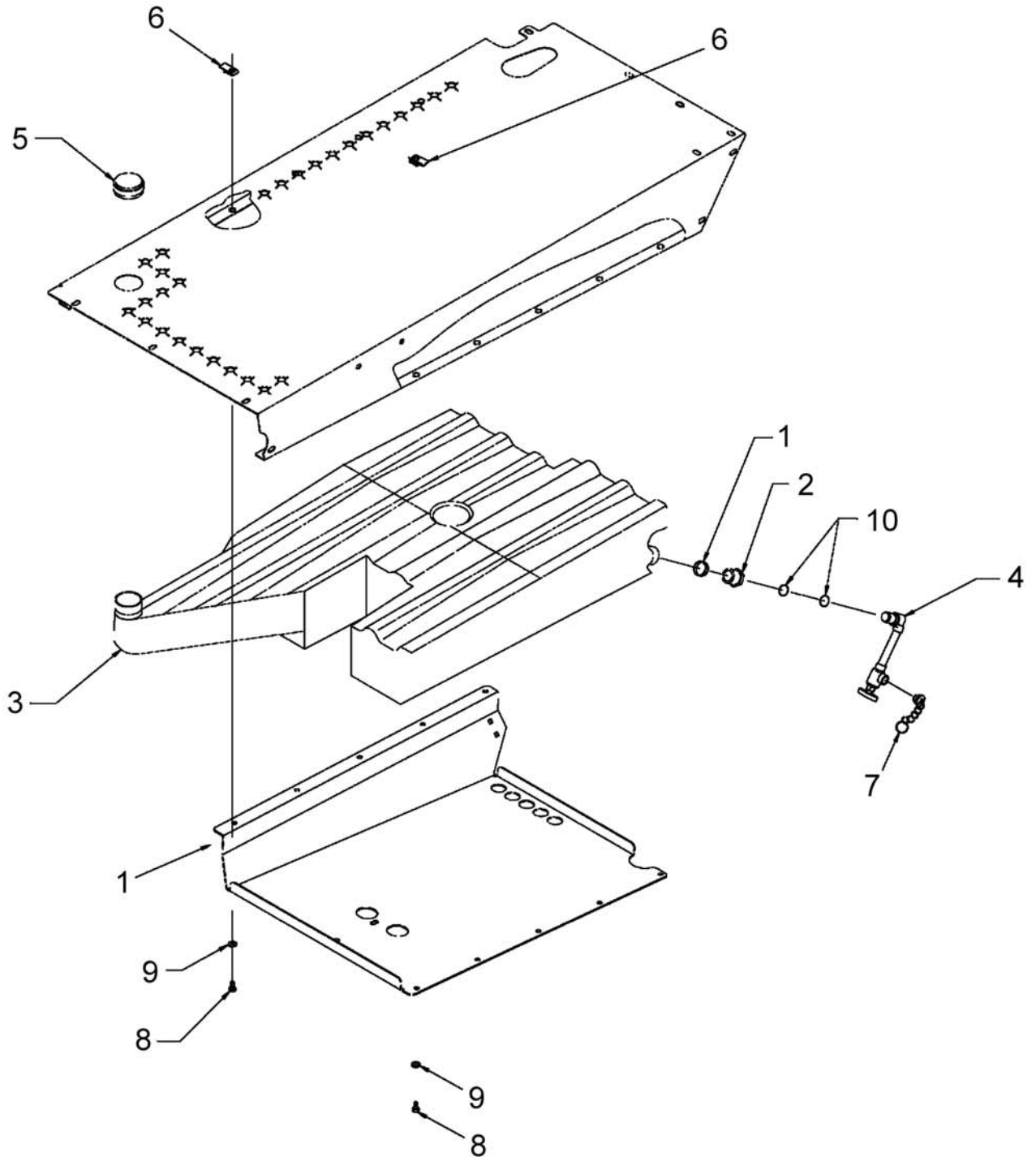
6653399 - SEAT-SUSPENSION

ITEM	PART #	QTY	DESCRIPTION	COMMENTS
1	6661520	1	HOUSING	
2	6661521	1	HOUSING	
3	6672465	1	ARM	
4	6661523	2	SHAFT	
5	6661524	2	NUT	
6	6661525	1	ARM & SHAFT	
8	6661527	2	SPRING	
9	6661528	2	BUMPER	
13	6661532	1	BOOT	
14	6661533	2	ROLL PIN	
15	6661534	1	CAM	
16	6661535	1	CAM	
18	6661537	1	LATCH	
19	6661538	1	ROLL PIN	
20	6659833	5	WASHER	
21	6661539	1	TIE	
22	6661540	1	BEARING	
25	6661543	1	ADJUSTER	
30	6661548	1	SHAFT	
31	6661549	1	WASHER-PLASTIC	
33	6661551	2	WASHER	
34	6661552	2	NUT	
35	6661553	2	THRUST RACE	
36	6661554	1	ROLL PIN	
40	6661558	1	RIVET	
41	6661559	2	BOLT	
42	6661560	1	CAM	
45	6661563	1	RIVET	
47	6661564	1	BUTTONS	
48	6669228	1	KIT-WEIGHT ADJUST	
49	6661825	1	KIT-WEIGHT ADJUST	
51	6653404	1	KIT-SHOCK	
52	6652405	1	KIT-ROLLER TUBE	
53	6669227	1	KIT-WEIGHT ADJUST	
55	6669229	1	KIT-KNOB	
57	6618712	1	MOUNT W/A, SEAT	
58	6629513	1	INSTR-DELUXE AG SEAT	
59	WR55045	4	SCREW-CAP HEX M10 X 16	
60	WR55075	4	WASHER-PLAIN,10MM ID,LC,	
61	WR561679	8	WASHER LOCK M8 ZN	
64	6660342	1	HANDLE	
65	6659821	1	HANDLE	
66	6653401	1	BACK COVER	
67	6653402	1	ARMREST LH	
68	6653403	1	ARMREST RH	
70	6653407	1	SLIDE KIT	
74	6653414	1	SEAT BELT	
75	6653408	1	PLATE	
76	6659822	2	WASHER	
77	6659823	1	BOLT	
78	6653420	1	SPACER	
79	6653418	1	NUT	
80	6653419	2	SPACER	
81	6653416	8	NUT	
82	6659824	4	BOLT	
83	6653412	1	BACL CUSHION	
84	6653410	1	SEAT CUSHION	
85	6653415	4	BOLT	
86	6653417	1	BRACKET	
87	6659829	2	BOLT	
88	6659830	4	BOLT	
90	6659831	1	BOLT	
91	6659832	4	WASHER	
93	6659834	1	HANDLE	
94	6659835	1	HANDLE	



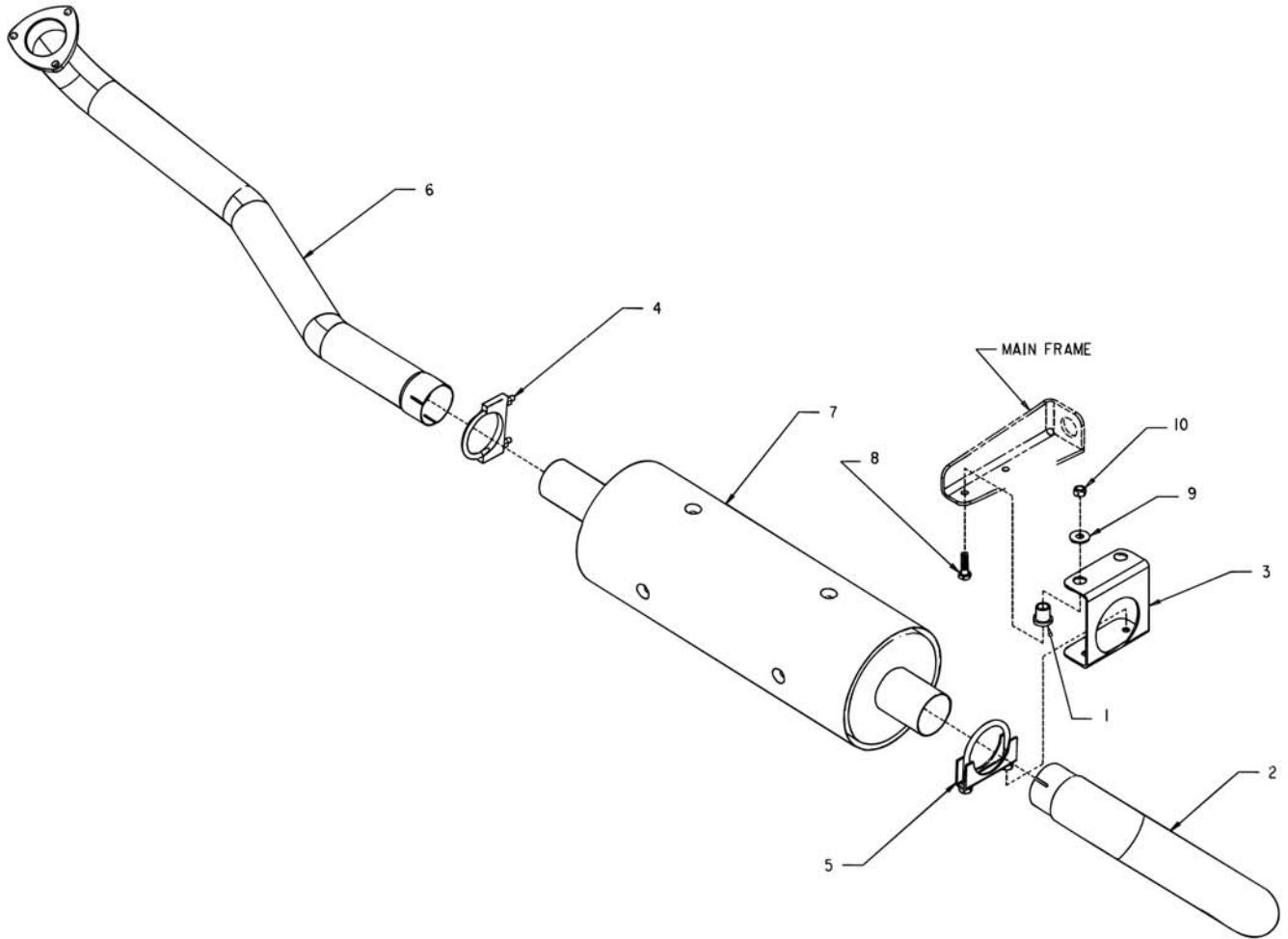
6653399 - SEAT-SUSPENSION

ITEM	PART #	QTY	DESCRIPTION	COMMENTS
1	6661520	1	HOUSING	
2	6661521	1	HOUSING	
3	6672465	1	ARM	
4	6661523	2	SHAFT	
5	6661524	2	NUT	
6	6661525	1	ARM & SHAFT	
8	6661527	2	SPRING	
9	6661528	2	BUMPER	
13	6661532	1	BOOT	
14	6661533	2	ROLL PIN	
15	6661534	1	CAM	
16	6661535	1	CAM	
18	6661537	1	LATCH	
19	6661538	1	ROLL PIN	
20	6659833	5	WASHER	
21	6661539	1	TIE	
22	6661540	1	BEARING	
25	6661543	1	ADJUSTER	
30	6661548	1	SHAFT	
31	6661549	1	WASHER-PLASTIC	
33	6661551	2	WASHER	
34	6661552	2	NUT	
35	6661553	2	THRUST RACE	
36	6661554	1	ROLL PIN	
40	6661558	1	RIVET	
41	6661559	2	BOLT	
42	6661560	1	CAM	
45	6661563	1	RIVET	
47	6661564	1	BUTTONS	
48	6669228	1	KIT-WEIGHT ADJUST	
49	6661825	1	KIT-WEIGHT ADJUST	
51	6653404	1	KIT-SHOCK	
52	6652405	1	KIT-ROLLER TUBE	
53	6669227	1	KIT-WEIGHT ADJUST	
55	6669229	1	KIT-KNOB	
57	6618712	1	MOUNT W/A, SEAT	
58	6629513	1	INSTR-DELUXE AG SEAT	
59	WR55045	4	SCREW-CAP HEX M10 X 16	
60	WR55075	4	WASHER-PLAIN,10MM ID,LC,	
61	WR561679	8	WASHER LOCK M8 ZN	
64	6660342	1	HANDLE	
65	6659821	1	HANDLE	
66	6653401	1	BACK COVER	
67	6653402	1	ARMREST LH	
68	6653403	1	ARMREST RH	
70	6653407	1	SLIDE KIT	
74	6653414	1	SEAT BELT	
75	6653408	1	PLATE	
76	6659822	2	WASHER	
77	6659823	1	BOLT	
78	6653420	1	SPACER	
79	6653418	1	NUT	
80	6653419	2	SPACER	
81	6653416	8	NUT	
82	6659824	4	BOLT	
83	6653412	1	BACL CUSHION	
84	6653410	1	SEAT CUSHION	
85	6653415	4	BOLT	
86	6653417	1	BRACKET	
87	6659829	2	BOLT	
88	6659830	4	BOLT	
90	6659831	1	BOLT	
91	6659832	4	WASHER	
93	6659834	1	HANDLE	
94	6659835	1	HANDLE	



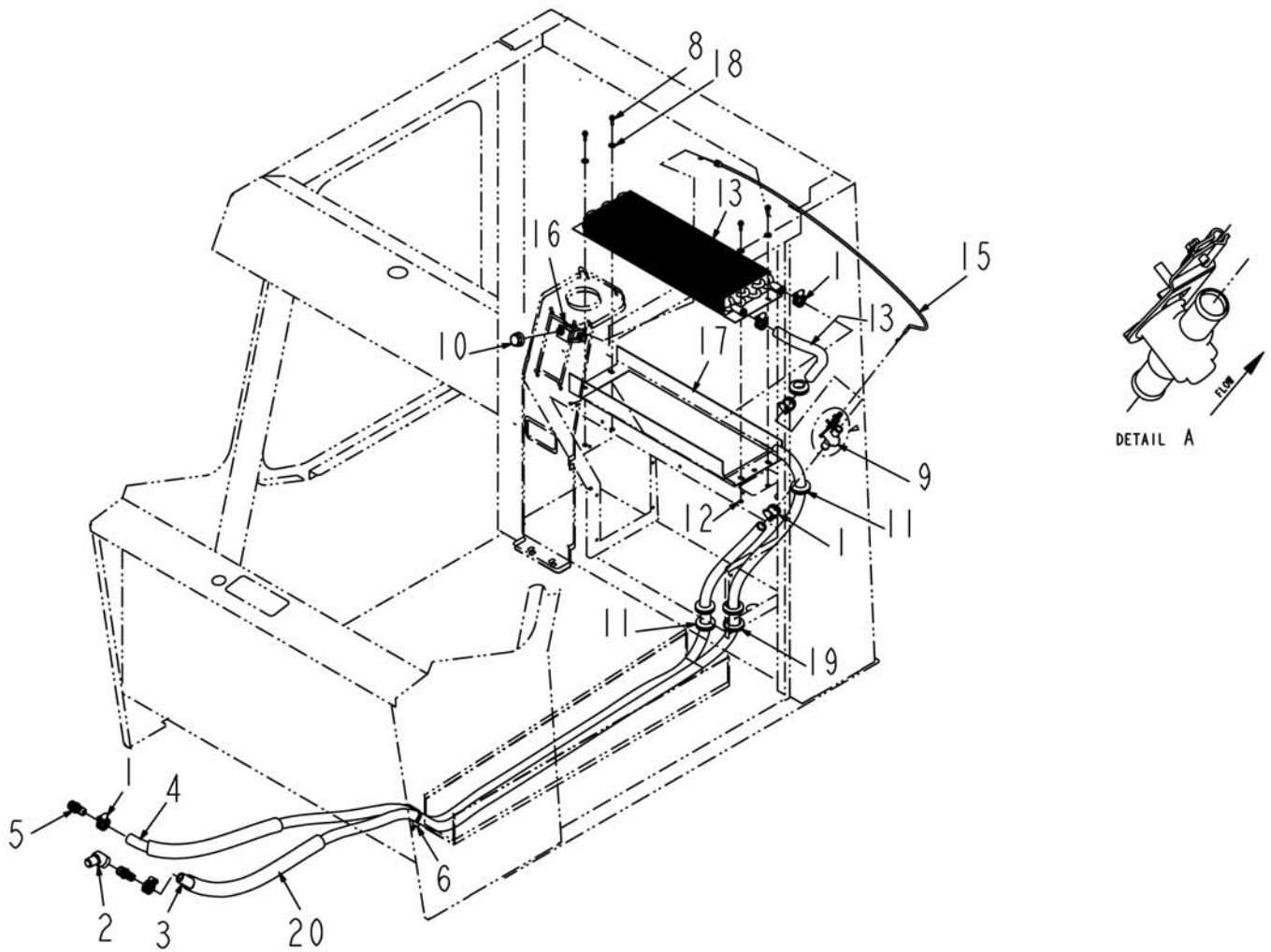
6618451 - FRESH WATER GROUP-SC

ITEM	PART #	QTY	DESCRIPTION	COMMENTS
0	6618452	-	INSTL-WATER FRESH	
1	6801522	1	SHIELD-TANK	
2	6626907	1	FITTING-DRAIN	
3	6626920	1	TANK-WATER	
4	6626922	1	VALVE ASSY	
5	6630034	1	CAP-FUEL TANK	
6	6662634	10	NUT-SELF RETAIN	
7	6662960	1	CAP-DUST	
8	WR550183	10	BOLT 0.31-18NCX 0.75 G5 ZN HHD	
9	WR515180	10	WASHER 0.62 FL ZN REG G8	
10	WR55463	2	O RING-.812 ID,75 DURO	
11	WR50847	1	CLAMP-HOSE,,75-1.75 SST	



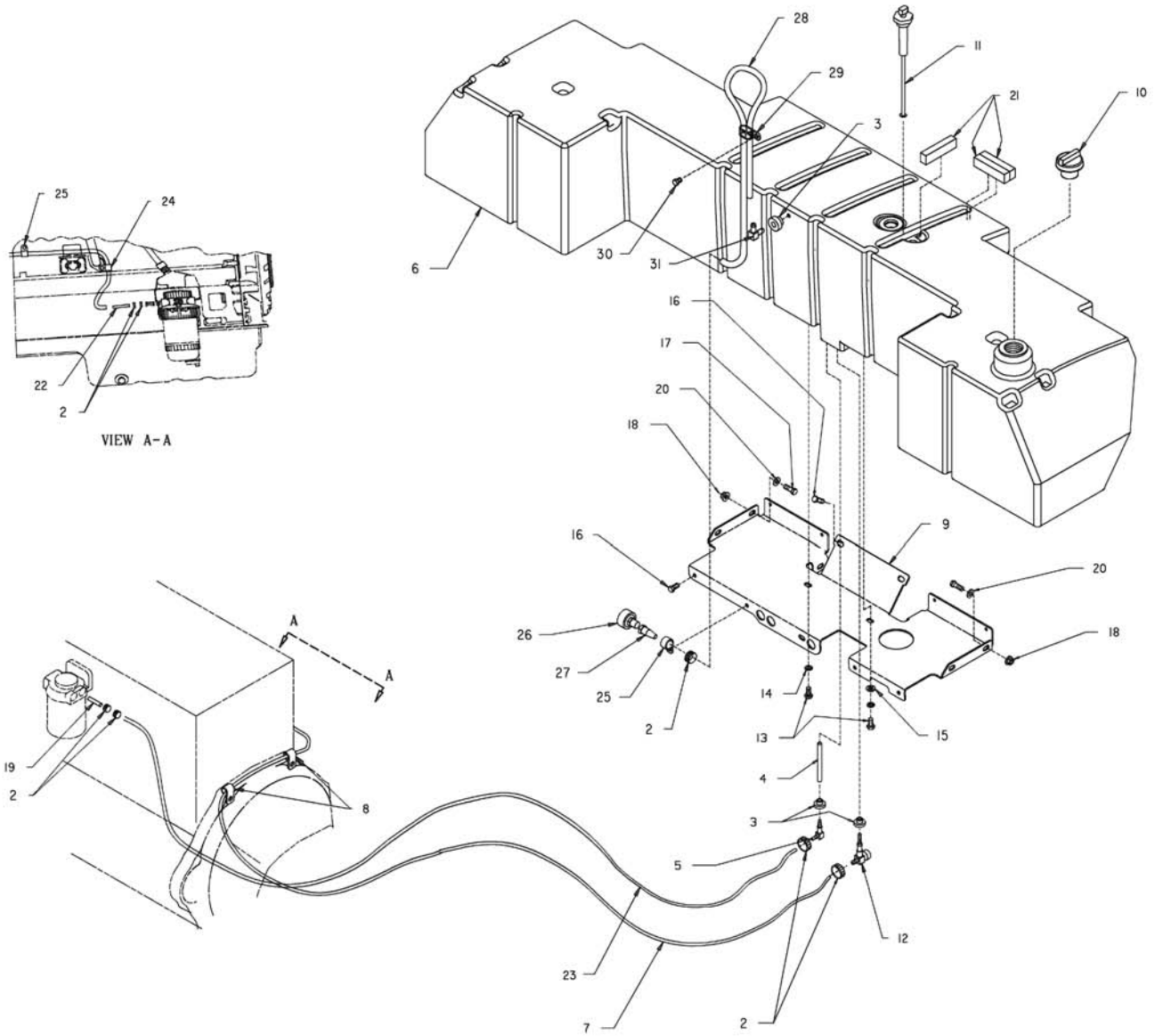
6628149 - EXHAUST GROUP-PERKINS,SC

ITEM	PART #	QTY	DESCRIPTION	COMMENTS
1	WR568276	2	MOUNT-VIBRATION	
2	6626146	1	PIPE-TAIL	
3	WR55535	1	BRACKET EXHAUST	
4	WR55536	1	U BOLT-STD,.5/16 NC X 3 X	
5	6660863	1	CLAMP ASSY-EXHAUST	
6	6671013	1	PIPE-EXHAUST	
7	6671620	1	MUFFLER-SPARK ARRESTOR	
8	WR029298	2	BOLT M10-1.50X 35MM G8.8 ZN HH	
9	WR55158	2	WASHER-FLAT,10MM ID,	
10	WR55312	2	NUT-LOCK HEX,M10 X 1.5,	



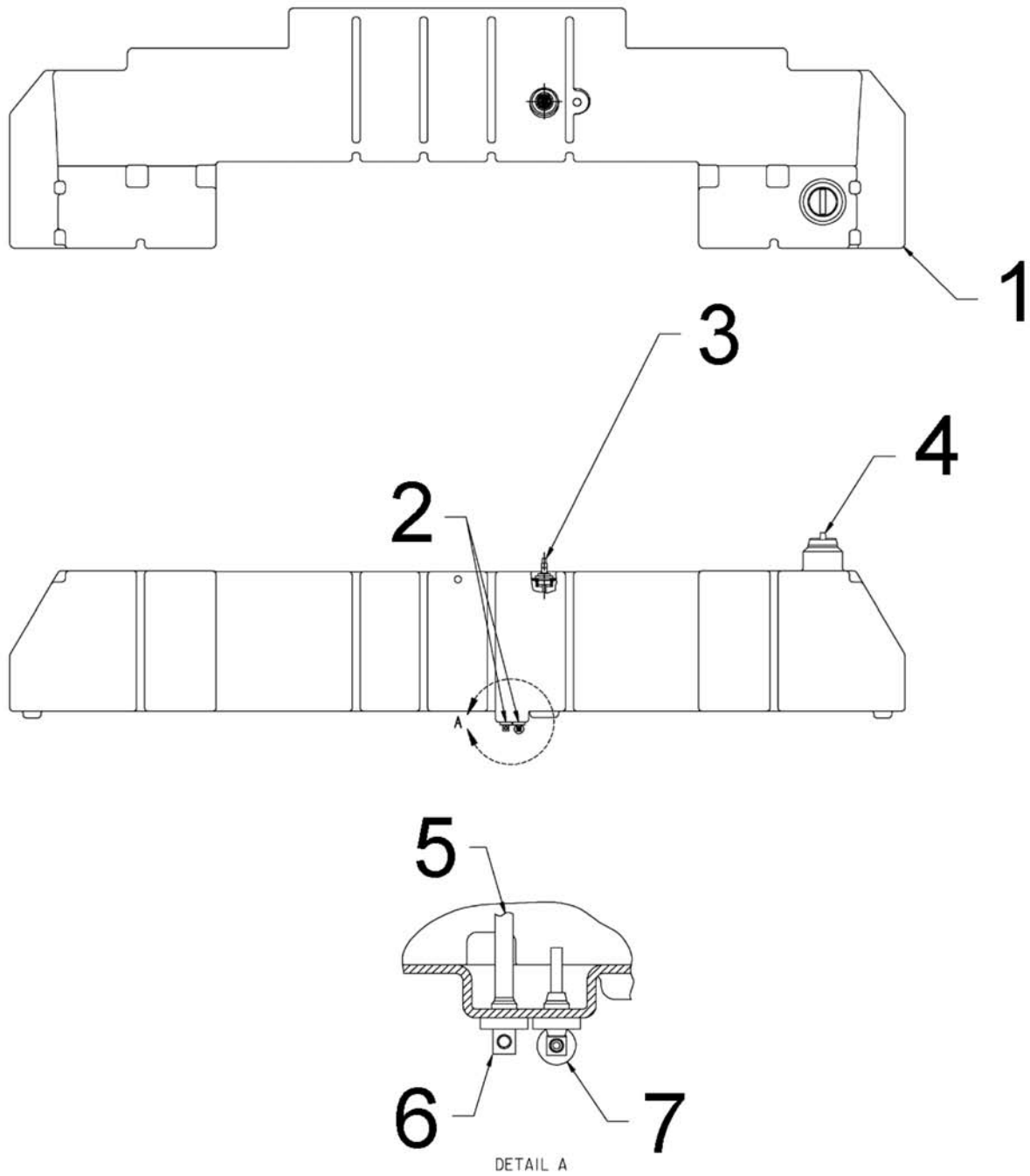
6669015 - HEATER-KIT

ITEM	PART #	QTY	DESCRIPTION	COMMENTS
1	WR10853	6	CLAMP-HOSE,1 1/8 SST,	
2	WR12952	-	ELBOW-45,-08FP/-08MP	
3	WR128497	1	HOSE .625 SAE 20R3 FORMED	
4	WR128498	1	HOSE .625 SAE 20R3 FORMED	
5	WR558648	-	HOSE BARB 0.50NPTX0.62HOSE STL	
6	WR562496	-	TIE CABLE 15.0 .18-4.00 BLACK	
7	6626433	1	CARRIER-HOSE	
8	6641062	4	WHIZLOCK SCREW	
9	6654792	1	VALVE	
10	6660822	1	KNOB	
11	6662655	4	GROMMET	
12	6662679	4	WASHER	
13	6662682	1	HEATER COIL	
14	6662686	1	HOSE	
15	6662687	1	CABLE	
16	6662688	1	ROTARY CABLE CONTROL	
17	6662689	1	PLATE	
18	6662690	4	WASHER-FLAT,3/16	
19	6668729	2	GROMMET	
20	WR55837	-	COVER-HOSE	



6801805 - FUEL GROUP-PERKINS,SC

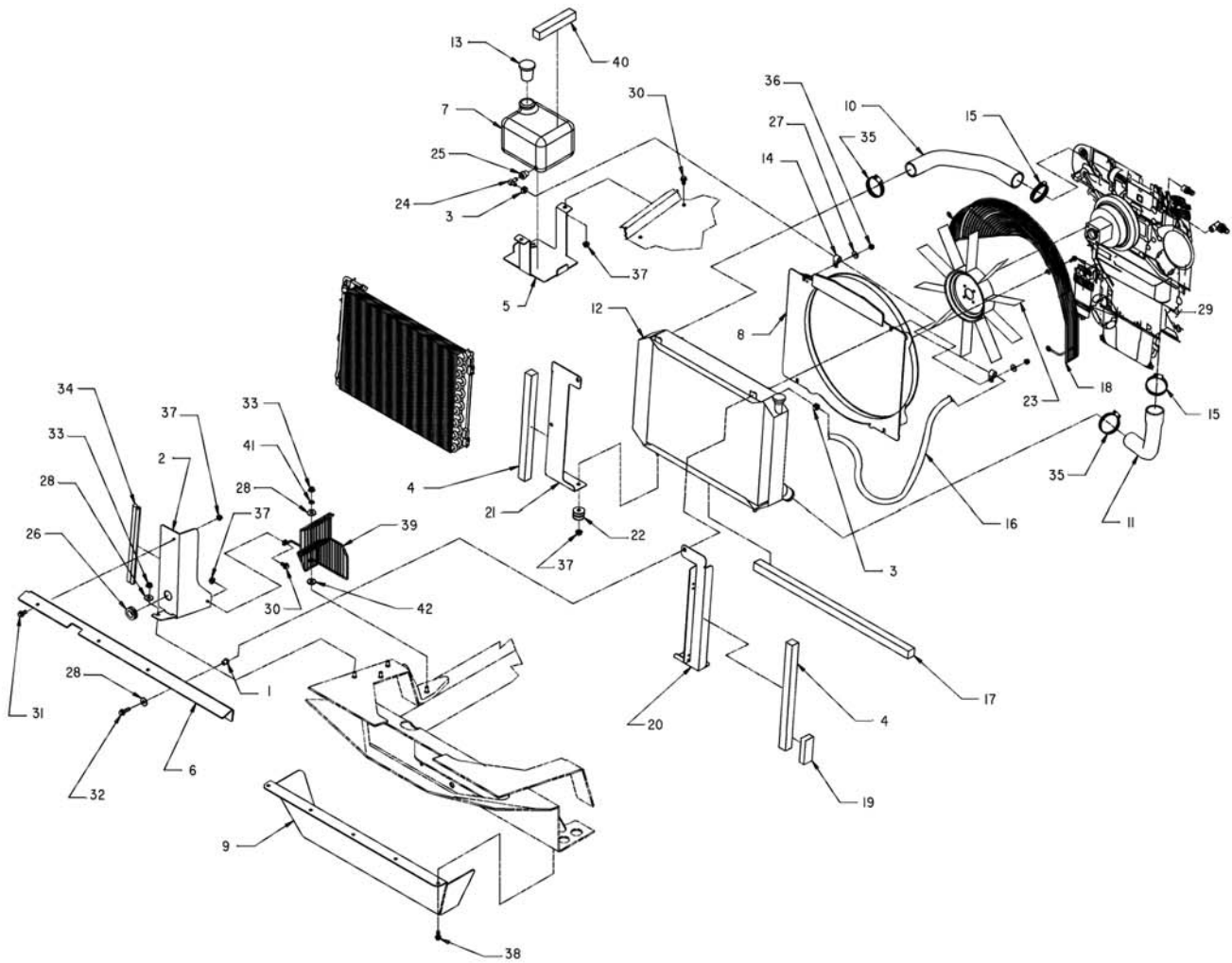
ITEM	PART #	QTY	DESCRIPTION	COMMENTS
0	WR25749	2	CLAMP-SUPPORT,CUSHION,	
0	6801835	1	TANK ASSY	SEE PAGE 4-14
0	6801806	-	INSTL-FUEL,PERKINS	
0	WR550191	2	WASHER LK 0.37 ZN REG	
0	WR55247	1	CLAMP-SUPPORT CUSHION DBL	
0	WR551503	2	BOLT 0.37-16NCX 0.75 G5 ZN HHD	
1	WR553557	3	TIE CABLE 7.37 .06-1.37 BLACK	
2	6515575	8	CLAMP-HOSE	
7	6800237	1	HOSE-FUEL	
9	6801830	1	SUPPORT-FUEL	
15	WR55158	2	WASHER-FLAT,10MM ID,	
16	WR55191	6	HEX HEAD,THREAD ROLLING SCREW	
17	WR561683	4	BOLT M10-1.5 X 25MM G8.8 ZN HH	
18	WR55272	4	NUT-LOCK,M10 X 1.5,PREV	
19	6627912	1	TUBE-STRAIGHT	
20	WR55075	4	WASHER-PLAIN,10MM ID,LC,	
21	6626654	3	FOAM-STRIP	
22	6801240	1	TUBE-STRAIGHT	
23	6626443	1	HOSE-FUEL,2300	
24	WR50830	4	CLAMP-SUPPORT,CUSHION,	
27	6646576	1	BARB-HOSE	
28	6700873	1	HOSE-AIR	
30	WR550167	1	BOLT 0.37-16NCX 0.62 G5 ZN HHD	
31	6553412	1	ELBOW-90,INV FLARE	



6801835 - TANK ASSY

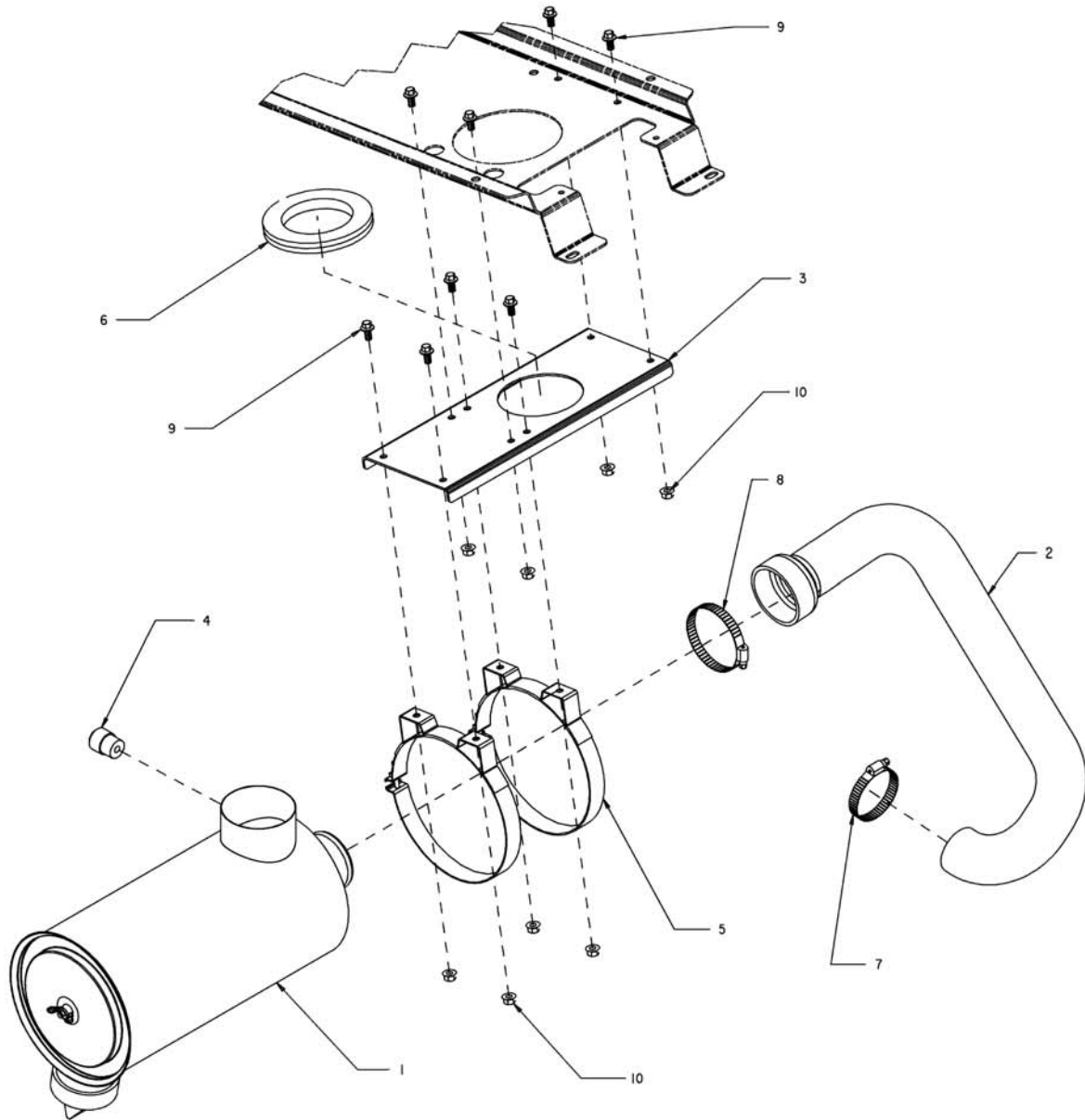
ITEM	PART #	QTY	DESCRIPTION	COMMENTS
1	6801236	1	TANK-FUEL	
2	6553411	2	BUSHING	
3	6658958	1	SENSOR-FUEL	
4	6672325	1	CAP-FUEL	
5	6804905	1	HOSE-FUEL	
6	6598908	1	ELBOW-BARBED	
7	6661206	1	VALVE-SHUTOFF	

6802347 - COOLING GROUP-SC



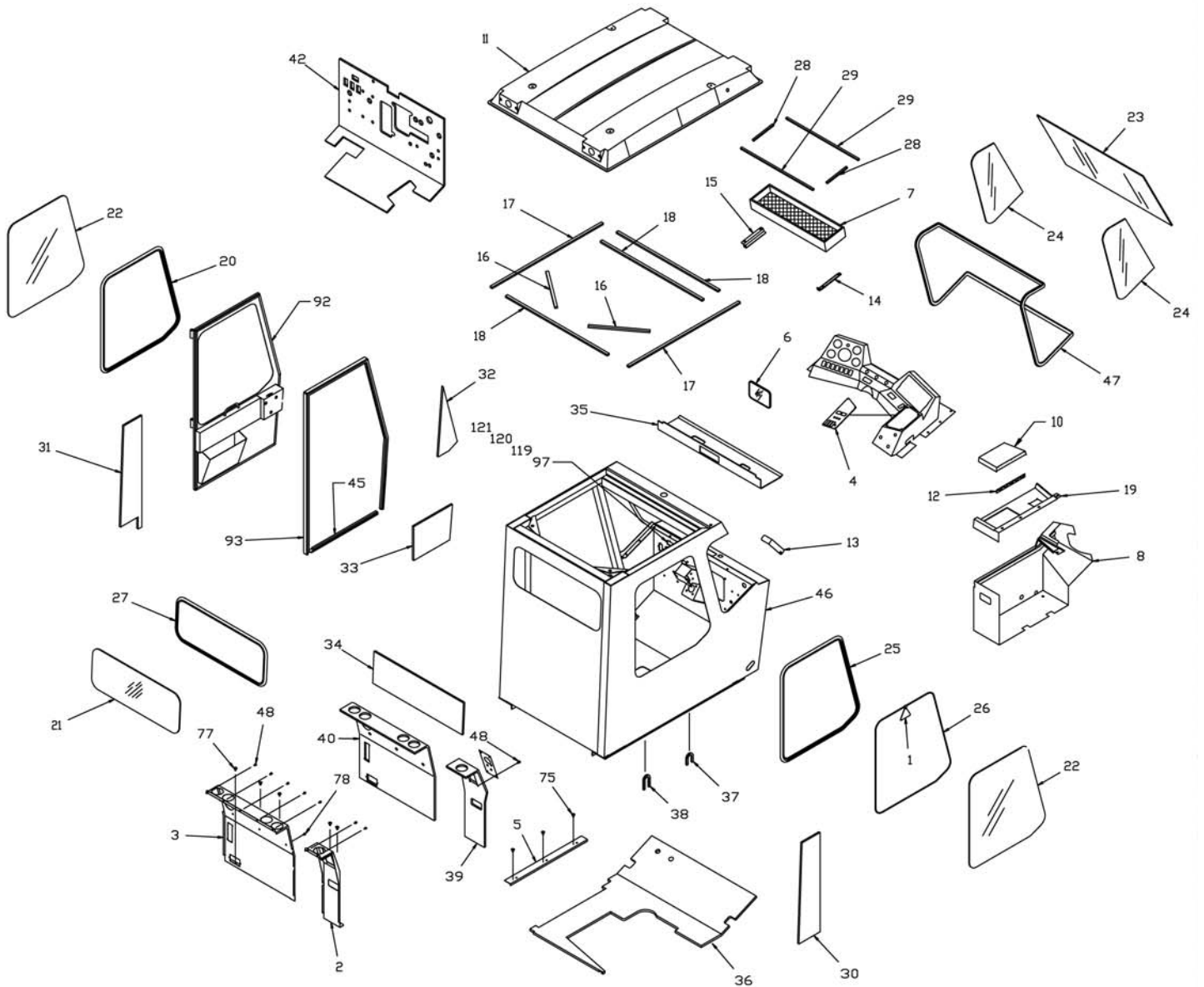
6802347 - COOLING GROUP-SC

ITEM	PART #	QTY	DESCRIPTION	COMMENTS
0	6802348	-	INSTL-COOLING	
0	6553411	1	BUSHING	
0	WR55410	4	NUT-FLANGE,M8 X 1.25 CL8,	
1	WR568276	2	MOUNT-VIBRATION	
2	6800304	1	BRACE	
3	6515575	2	CLAMP-HOSE	
4	6534762	2	FOAM-STRIP	
5	6800296	1	SUPPORT-TANK	
6	6596443	1	SUPPORT	
7	6567170	1	TANK-COOLANT	
8	6668931	1	SHROUD-FAN	
9	6801632	1	SHIELD-BELT	
10	6628141	1	HOSE-RADIATOR,UPR	
11	6628142	1	HOSE-RADIATOR,LWR	
12	6667568	1	EXCHANGER-HEAT	
13	6702797	1	CAP-TANK,COOLANT	
14	WR55232	2	CLAMP-SUPPORT CUSHION,	
15	WR10857	2	CLAMP-HOSE,2 1/2 SST,	
16	6585972	1	HOSE-COOLANT	
17	6626455	1	FOAM-STRIP	
18	6802308	1	SHIELD-FAN	
20	6628146	1	MOUNT-CONDENSER,LH	
21	6628147	1	MOUNT-CONDENSER,RH	
22	6653763	2	MOUNT ASSY	
23	6668101	1	FAN-COOLING	
24	6553412	1	ELBOW-90,INV FLARE	
26	WR731972	1	GROMMET	
27	WR55157	4	WASHER-FLAT,8MM ID,	
28	WR55158	6	WASHER-FLAT,10MM ID,	
29	WR55206	3	SCREW-HEX FLG,M8X1.25X20 CL8.8	
30	WR55214	3	SCREW-HEX FLG,M10X1.5X20 CL8.8	
31	WR55215	2	SCREW-HEX FLG,M10X1.5X25 CL8.8	
32	WR55217	2	SCREW-HEX FLG,M10X1.5Z35 CL8.8	
33	WR55281	4	NUT-FLANGE,M10 X 1.5	
34	6597894	1	EDGE	
35	WR55297	2	CLAMP-HOSE,2 1/4 SST	
37	WR55301	7	NUT-FLANGE,M10 X 1.5,PREV	
38	WR55349	5	SCREW-HEX,3/8 X 3/4,	
39	6802422	1	SHIELD-FAN	
40	6801638	1	INSULATION	
41	WR55106	1	WASHER-LOCK SPRING,10 MM	
42	WR55159	1	WASHER-FLAT,12MM ID,	



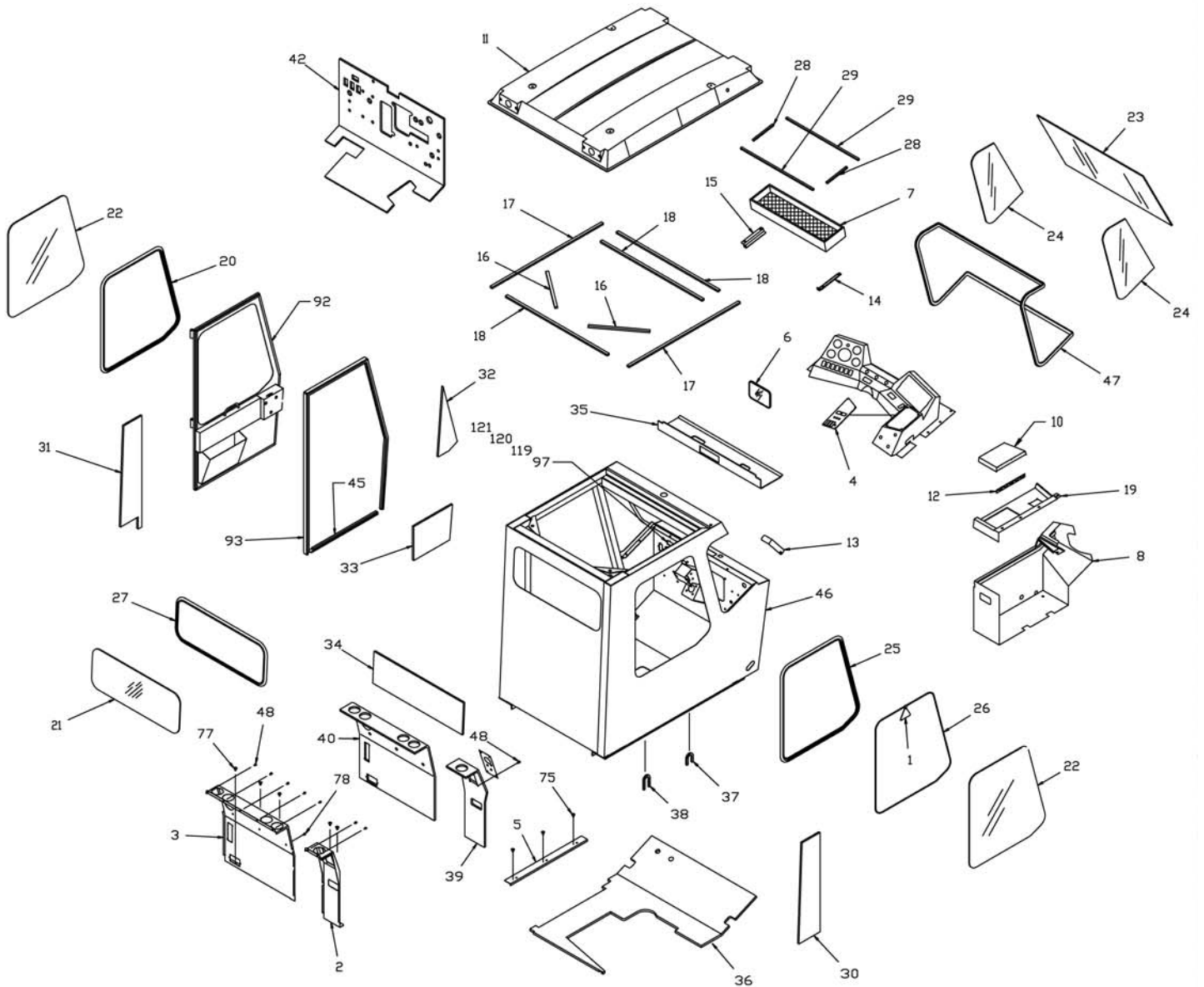
6802349 - FILTER AIR GROUP-SC

ITEM	PART #	QTY	DESCRIPTION	COMMENTS
0	6802350	-	INSTL-AIR FILTER	
0	6804065	1	TUBE-CLEANER,AIR	
0	6804066	1	HOSE-CLEANER,AIR	
0	6804067	1	HOSE-CLEANER,AIR	
1	6668146	1	FILTER ASSY-AIR	
3	6597661	1	BRACKET-AIR CLEANER	
4	WR601950	1	INDICATOR (20H20) DONALDSON(P)	
5	WR24906	2	BRACKET W/BAND-MTG 8 DIA	
6	6597998	1	SEAL	
7	WR10859	1	CLAMP-HOSE,3 SST,	
8	WR10861	3	CLAMP-HOSE,3 1/2 SST,	
9	WR55205	8	SCREW-HEX FLG,M8X1.25X16 CL8.8	
10	WR55410	8	NUT-FLANGE,M8 X 1.25 CL8,	



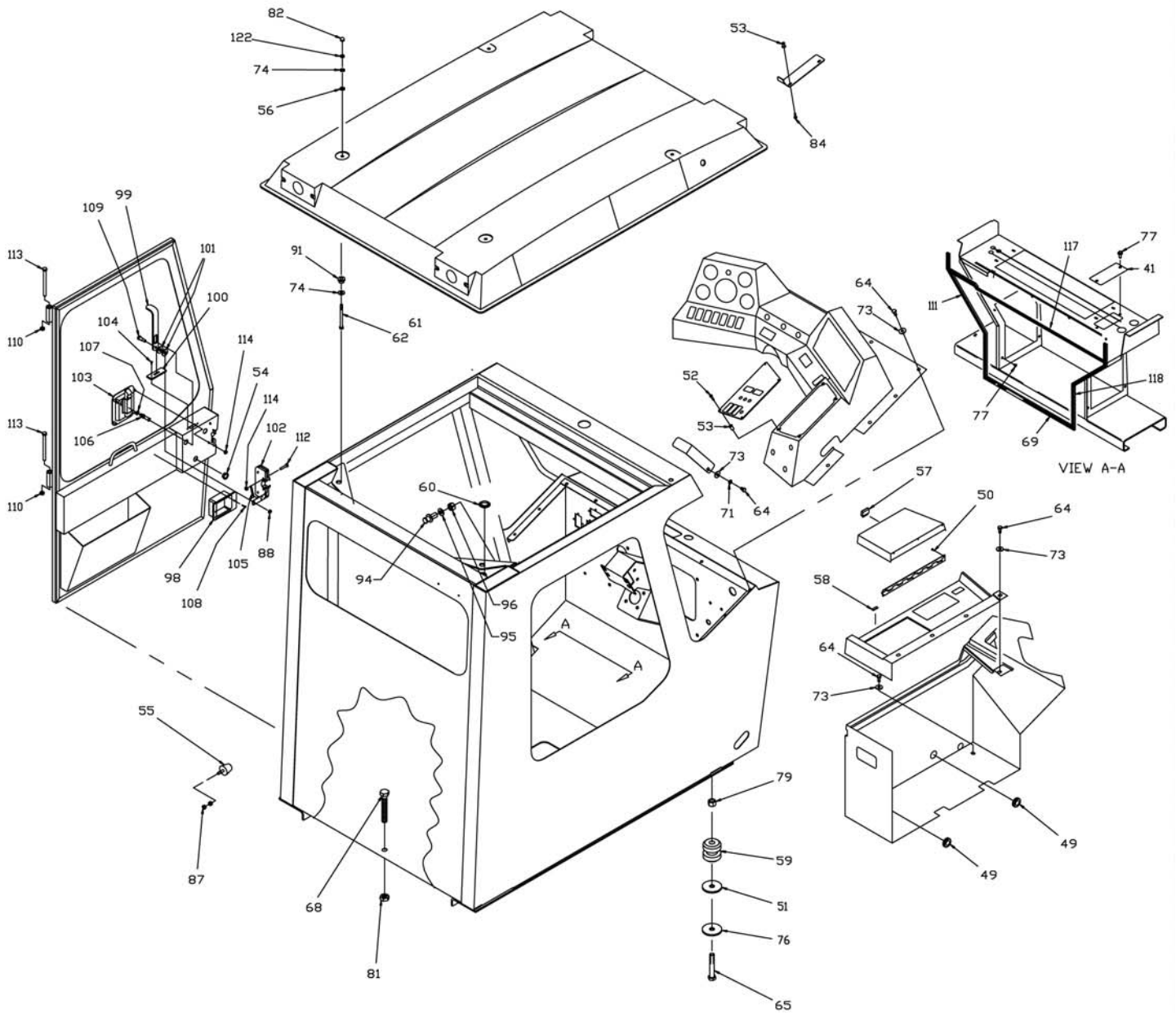
6802629 - CAB GROUP-4000 MT

ITEM	PART #	QTY	DESCRIPTION	COMMENTS
0	6802630	-	INSTL-CAB	
0	6664055	10	NUT-FLANGED,WLDMT	
0	6648354	4	PLUG-HOLE	
0	6555350	0.2	ADHESIVE-RUBBER	
0	WR35153	4	SCREW-MACH BTN SOCHD	
0	WR55546	3	SCREW-CAP HEX M10 X 110	
0	WR55158	4	WASHER-FLAT,10MM ID,	
0	WR518096	4	WASHER FENDER .31X1.50 OD ZN	
0	WR55070	4	NUT-HEX,M4 CL10	
1	WR120749	1	TAG-EXIT	
2	6626840	1	PANEL-ACCESS,W/A	
3	6595112	1	PANEL-ACCESS,LH	
4	6596133	1	PLATE-SWITCH	
5	6597317	1	RETAINER-FLOORMAT	
6	6663955	1	MIRROR	
7	6671706	1	FILTER-CARBON	
8	6801663	1	DASH-BOTTOM,RH	
9	6801910	1	PANEL-DASH	
10	6802466	1	COVER-FUSE	
11	6626254	1	TOP ASSY-CAB	
12	6802467	1	HINGE	
13	6626535	1	BRACE-DASH	
14	6803757	1	BRACKET-FILTER,LH	
15	6803756	1	BRACKET-FILTER,RH	
16	6626596	2	FOAM-CAB TOP	
17	6626597	2	FOAM-CAB TOP	
18	6626598	3	FOAM-CAB TOP	
19	6802454	1	PANEL-DASH,RH	
20	6626766	1	SEAL, DOOR WINDOW	
21	6626767	1	WINDOW-REAR	
22	6626768	2	WINDOW-SIDE	
23	6626769	1	WINDSHIELD-FRONT	
24	6626770	2	WINDSHIELD-SIDE	
25	6626771	1	SEAL-SIDE,WINDOW	
26	6626772	1	CORD-WINDOW	
27	6626773	1	SEAL-WINDOW,REAR	
28	6626774	2	FOAM-FILTER	
29	6626775	2	FOAM-FILTER	
30	6626776	1	FOAM-REAR,RH	
31	6626777	1	FOAM-REAR,LH	
32	6626778	1	FOAM-FRONT,LH	
33	6626780	1	FOAM-DOOR	
34	6626781	1	FOAM-REAR	
35	6626782	1	HEADLINER	
36	6803580	1	FLOORMAT	
37	6626785	1	FOAM-SEAT PAN	
38	6626786	1	FOAM-SEAT PAN	
39	6626814	1	FOAM-HEATER,RH	
40	6595116	1	INSULATION-ACCESS,LH	
41	6801034	1	PLATE	
42	6801779	1	INSULATION-FIREWALL	
45	6627528	1	SEAL-TRIM	
46	6628199	1	CAB W/A	
47	6661811	1	SEAL-WINDSHIELD	
48	WR55254	11	SCREW-HEX FLG,.25NCX.50 GR5	
49	1023368	2	GROMMET	
50	WR561884	6	RIVET POP 0.12X0.25 DOME-HD ST	
51	6626510	4	WASHER	
52	6627005	4	SCREW-NYLON	
53	6630140	8	NUT-JACK	
55	6649040	1	BUMPER-RUBBER	
56	6661567	4	WASHER-NEOPRENE	
57	6661746	1	CATCH-MAGNETIC	
58	6661747	1	STRIKER-STEEL	
59	6661801	4	MOUNT-CAB	
60	6662831	2	PLUG-BUTTON	
61	WR55007	2	SCREW-CAP HEX 5/16 NC X	
62	WR26371	2	SCREW-CAP HEX 5/16 NC X 4	
64	WR55190	15	SCREW-CAP HEX M8 X 20,	



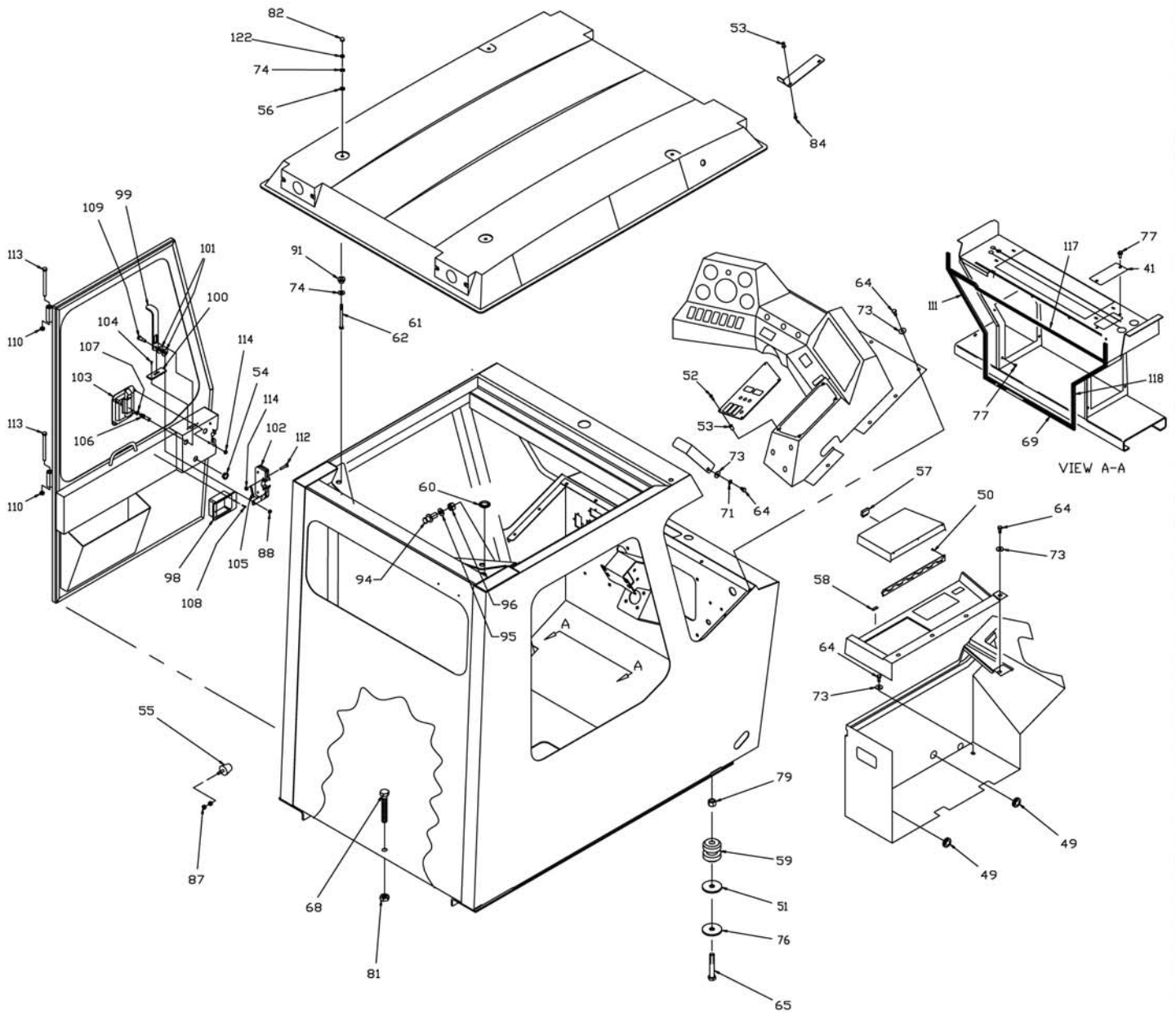
6802629 - CAB GROUP-4000 MT

ITEM	PART #	QTY	DESCRIPTION	COMMENTS
65	WR517438	4	BOLT HHD M16-2X100MM 10.9 ZN	
69	6800991	1	FOAM-STRIP	
71	WR561679	2	WASHER LOCK M8 ZN	
73	WR55157	15	WASHER-FLAT,8MM ID,	
75	WR55187	3	SCREW-CAP SOCK 1/4 NF X	
76	WR50857	4	WASHER-FLAT,HRD 5/8	
77	6589675	19	SCREW-TR HD,TAPPING	
78	WR55255	3	SCREW-HEX FLG,,25NCX.625 GR5	
79	WR55274	4	NUT-LOCK,M16 X 1.5,PREV	
81	WR55301	3	NUT-FLANGE,M10 X 1.5,PREV	
82	WR55308	4	NUT-ACORN,5/16 NC	
84	WR55313	4	SCREW-MACH HEX,#10-32NF X	
87	WR550213	2	NUT 0.31-18NC HEX ZN REG	
88	WR55352	1	NUT-TOPLOCK,5/16-18UNC G8	
91	6669666	4	MOUNT-RUBBER	
92	6627988	1	DOOR-W/A	
93	6800800	1	SEAL-BULK	
94	WR26513	1	STRIKER KNOB-LATCH	
95	WR550566	1	NUT 0.43-14NC HEX ZN REG	
96	WR561617	1	WASHER 0.50 FL ZN SAE TYPE-A	
97	6627886	1	COVER	
98	6654785	1	ASHTRAY	
99	6628352	1	ANGLE-LATCH	
100	6648413	1	BUSHING-DOOR	
101	6648414	2	WASHER-NYLON	
102	6648417	1	LATCH ASSY-RH	
103	6648421	1	LATCH-KEY # CH751	
104	6648422	2	SCREW-SELF TAPPING	
105	6654147	1	SPRING	
106	6654154	1	BOLT-STRIKER	
107	WR55101	1	WASHER-LOCK INT TOOTH,	
108	WR55251	2	SCREW-TAP,#6 X 3/4, OVAL	
109	WR55266	1	SCREW-SH HEX 3/8 NC X	
110	WR55366	2	NUT-TOPLOCK, 3/8-16UNC,	
111	6800989	1	FOAM-STRIP	
113	WR55149	2	BOLT 3/8-16X114 ZNDI HHD 10.9	
114	WR55351	5	NUT-TOPLOCK, 1/4-20UNC G8	
117	6800987	1	FOAM-STRIP	
118	6800988	1	FOAM-STRIP	
120	WR55102	4	WASHER-LOCK SPRING,4MM ID	
121	WR55091	4	SCREW-CAP HEX M4 X 16	
122	WR562171	4	NUT 0.31-18NC HEX ZN JAM	



6802629 - CAB GROUP-4000 MT

ITEM	PART #	QTY	DESCRIPTION	COMMENTS
0	6555350	0.2	ADHESIVE-RUBBER	
0	6648354	4	PLUG-HOLE	
0	6802630	-	INSTL-CAB	
0	WR55070	4	NUT-HEX,M4 CL10	
0	WR55546	3	SCREW-CAP HEX M10 X 110	
0	6664055	10	NUT-FLANGED,WLDMT	
0	WR35153	4	SCREW-MACH BTN SOCHD	
0	WR518096	4	WASHER FENDER .31X1.50 OD ZN	
0	WR55158	4	WASHER-FLAT,10MM ID,	
1	WR120749	1	TAG-EXIT	
2	6626840	1	PANEL-ACCESS,W/A	
3	6595112	1	PANEL-ACCESS,LH	
4	6596133	1	PLATE-SWITCH	
5	6597317	1	RETAINER-FLOORMAT	
6	6663955	1	MIRROR	
7	6671706	1	FILTER-CARBON	
8	6801663	1	DASH-BOTTOM,RH	
9	6801910	1	PANEL-DASH	
10	6802466	1	COVER-FUSE	
11	6626254	1	TOP ASSY-CAB	
12	6802467	1	HINGE	
13	6626535	1	BRACE-DASH	
14	6803757	1	BRACKET-FILTER,LH	
15	6803756	1	BRACKET-FILTER,RH	
16	6626596	2	FOAM-CAB TOP	
17	6626597	2	FOAM-CAB TOP	
18	6626598	3	FOAM-CAB TOP	
19	6802454	1	PANEL-DASH,RH	
20	6626766	1	SEAL, DOOR WINDOW	
21	6626767	1	WINDOW-REAR	
22	6626768	2	WINDOW-SIDE	
23	6626769	1	WINDSHIELD-FRONT	
24	6626770	2	WINDSHIELD-SIDE	
25	6626771	1	SEAL-SIDE,WINDOW	
26	6626772	1	CORD-WINDOW	
27	6626773	1	SEAL-WINDOW,REAR	
28	6626774	2	FOAM-FILTER	
29	6626775	2	FOAM-FILTER	
30	6626776	1	FOAM-REAR,RH	
31	6626777	1	FOAM-REAR,LH	
32	6626778	1	FOAM-FRONT,LH	
33	6626780	1	FOAM-DOOR	
34	6626781	1	FOAM-REAR	
35	6626782	1	HEADLINER	
36	6803580	1	FLOORMAT	
37	6626785	1	FOAM-SEAT PAN	
38	6626786	1	FOAM-SEAT PAN	
39	6626814	1	FOAM-HEATER,RH	
40	6595116	1	INSULATION-ACCESS,LH	
41	6801034	1	PLATE	
42	6801779	1	INSULATION-FIREWALL	
45	6627528	1	SEAL-TRIM	
46	6628199	1	CAB W/A	
47	6661811	1	SEAL-WINDSHIELD	
48	WR55254	11	SCREW-HEX FLG,.25NCX.50 GR5	
49	1023368	2	GROMMET	
50	WR561884	6	RIVET POP 0.12X0.25 DOME-HD ST	
51	6626510	4	WASHER	
52	6627005	4	SCREW-NYLON	
53	6630140	8	NUT-JACK	
55	6649040	1	BUMPER-RUBBER	
56	6661567	4	WASHER-NEOPRENE	
57	6661746	1	CATCH-MAGNETIC	
58	6661747	1	STRIKER-STEEL	
59	6661801	4	MOUNT-CAB	
60	6662831	2	PLUG-BUTTON	
61	WR55007	2	SCREW-CAP HEX 5/16 NC X	
62	WR26371	2	SCREW-CAP HEX 5/16 NC X 4	
64	WR55190	15	SCREW-CAP HEX M8 X 20,	



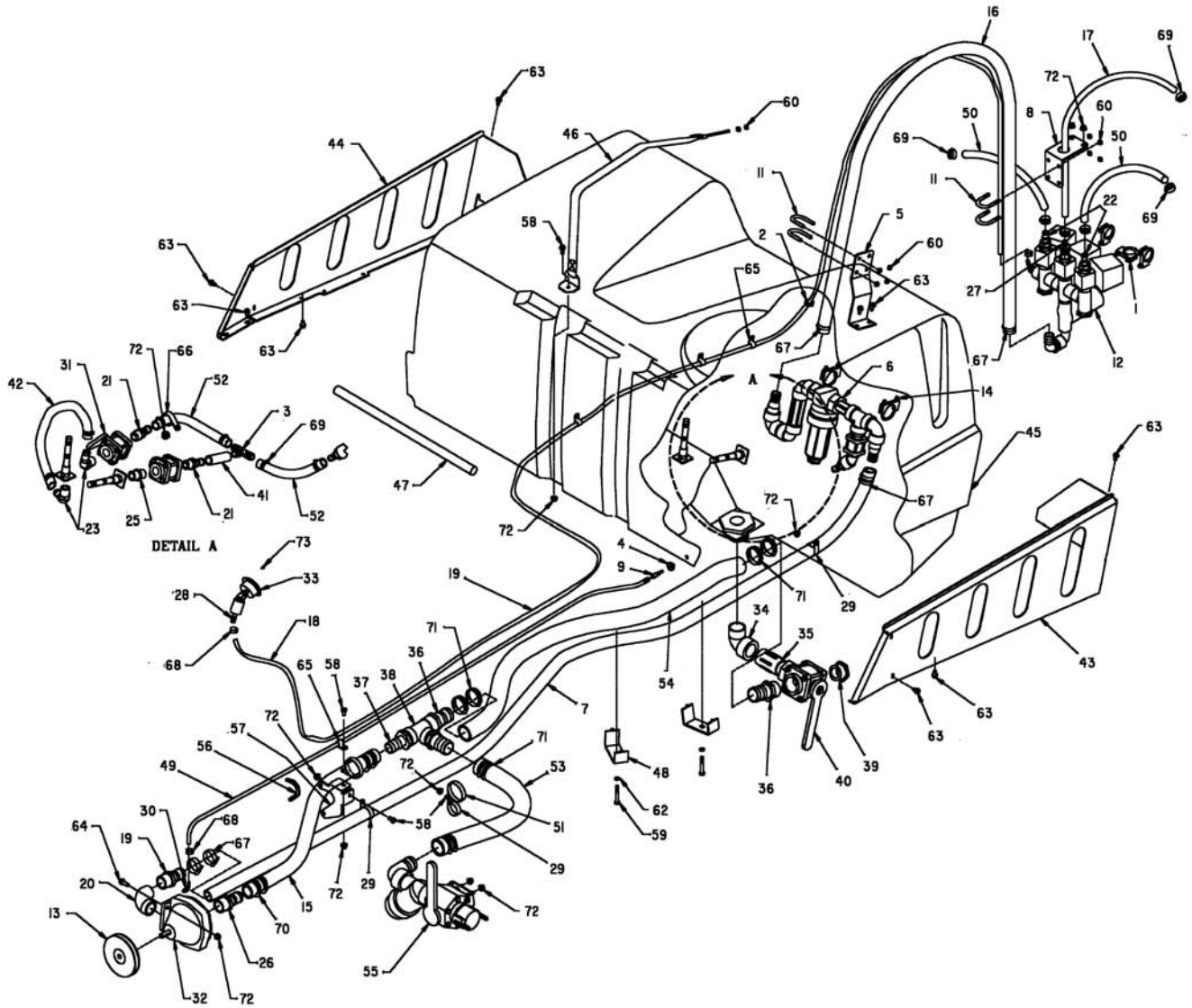
6802629 - CAB GROUP-4000 MT

ITEM	PART #	QTY	DESCRIPTION	COMMENTS
65	WR517438	4	BOLT HHD M16-2X100MM 10.9 ZN	
69	6800991	1	FOAM-STRIP	
71	WR561679	2	WASHER LOCK M8 ZN	
73	WR55157	15	WASHER-FLAT,8MM ID,	
75	WR55187	3	SCREW-CAP SOCK 1/4 NF X	
76	WR50857	4	WASHER-FLAT,HRD 5/8	
77	6589675	19	SCREW-TR HD,TAPPING	
78	WR55255	3	SCREW-HEX FLG, .25NCX.625 GR5	
79	WR55274	4	NUT-LOCK,M16 X 1.5,PREV	
81	WR55301	3	NUT-FLANGE,M10 X 1.5,PREV	
82	WR55308	4	NUT-ACORN,5/16 NC	
84	WR55313	4	SCREW-MACH HEX,#10-32NF X	
87	WR550213	2	NUT 0.31-18NC HEX ZN REG	
88	WR55352	1	NUT-TOPLOCK,5/16-18UNC G8	
91	6669666	4	MOUNT-RUBBER	
92	6627988	1	DOOR-W/A	
93	6800800	1	SEAL-BULK	
94	WR26513	1	STRIKER KNOB-LATCH	
95	WR550566	1	NUT 0.43-14NC HEX ZN REG	
96	WR561617	1	WASHER 0.50 FL ZN SAE TYPE-A	
97	6627886	1	COVER	
98	6654785	1	ASHTRAY	
99	6628352	1	ANGLE-LATCH	
100	6648413	1	BUSHING-DOOR	
101	6648414	2	WASHER-NYLON	
102	6648417	1	LATCH ASSY-RH	
103	6648421	1	LATCH-KEY # CH751	
104	6648422	2	SCREW-SELF TAPPING	
105	6654147	1	SPRING	
106	6654154	1	BOLT-STRIKER	
107	WR55101	1	WASHER-LOCK INT TOOTH,	
108	WR55251	2	SCREW-TAP,#6 X 3/4, OVAL	
109	WR55266	1	SCREW-SH HEX 3/8 NC X	
110	WR55366	2	NUT-TOPLOCK, 3/8-16UNC,	
111	6800989	1	FOAM-STRIP	
113	WR55149	2	BOLT 3/8-16X114 ZNDI HHD 10.9	
114	WR55351	5	NUT-TOPLOCK, 1/4-20UNC G8	
117	6800987	1	FOAM-STRIP	
118	6800988	1	FOAM-STRIP	
120	WR55102	4	WASHER-LOCK SPRING,4MM ID	
121	WR55091	4	SCREW-CAP HEX M4 X 16	
122	WR562171	4	NUT 0.31-18NC HEX ZN JAM	

NO DRAWING AVAILABLE

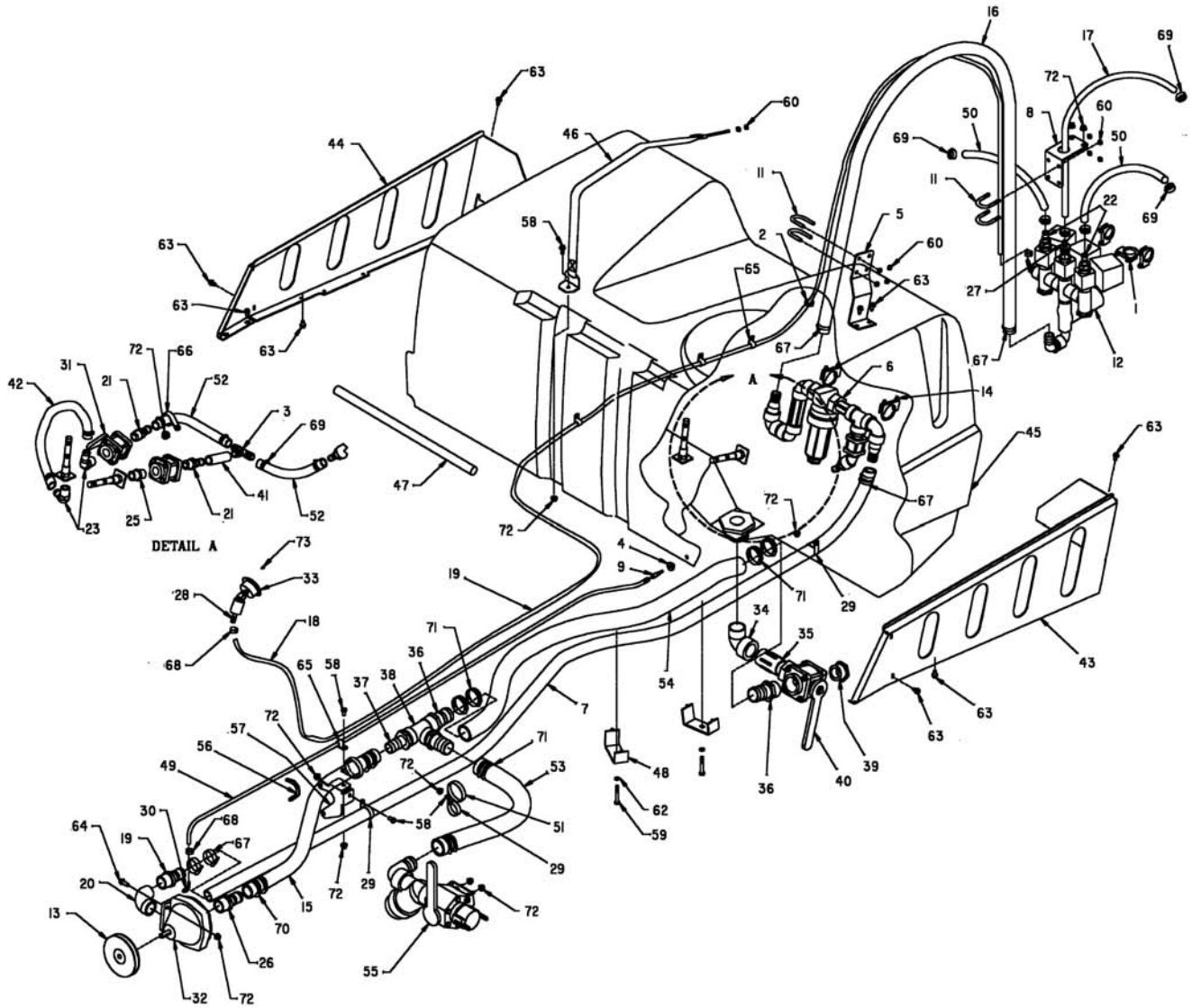
6804644 - BAG-PARTS

ITEM	PART #	QTY	DESCRIPTION	COMMENTS
1	6802711	2	PIN-CLEVIS	
2	6800367	4	SLEEVE	
3	6618187	2	PIN-CLEVIS	
4	6618175	2	BUSHING-STL, .875 OD	
5	6505013	1	BAG-CLOTH	
6	WR562496	10	TIE CABLE 15.0 .18-4.00 BLACK	
7	WR553212	2	BOLT 0.50-13NCX 3.25 G5 ZN HHD	
8	WR552046	2	BOLT.62-11NCX4.50G5 ZN HHD	
9	WR551856	2	WASHER1.00FL ZN SAE TYPE-A	
10	WR550655	2	BOLT 0.50-13NCX 1.00 G5 ZN HHD	
11	WR550477	8	NUT 0.62-11NC HEX ZN REG	
12	WR55372	10	NUT-LOCK FLANGE, 1/2-13NC	
13	WR55354	4	NUT-TOPLOCK, 1/2-13UNC G8	
14	WR55083	4	PIN-COTTER,3/16 X 1 1/2	
15	WR50814	2	SCREW-CAP HEX 5/8 NC X	



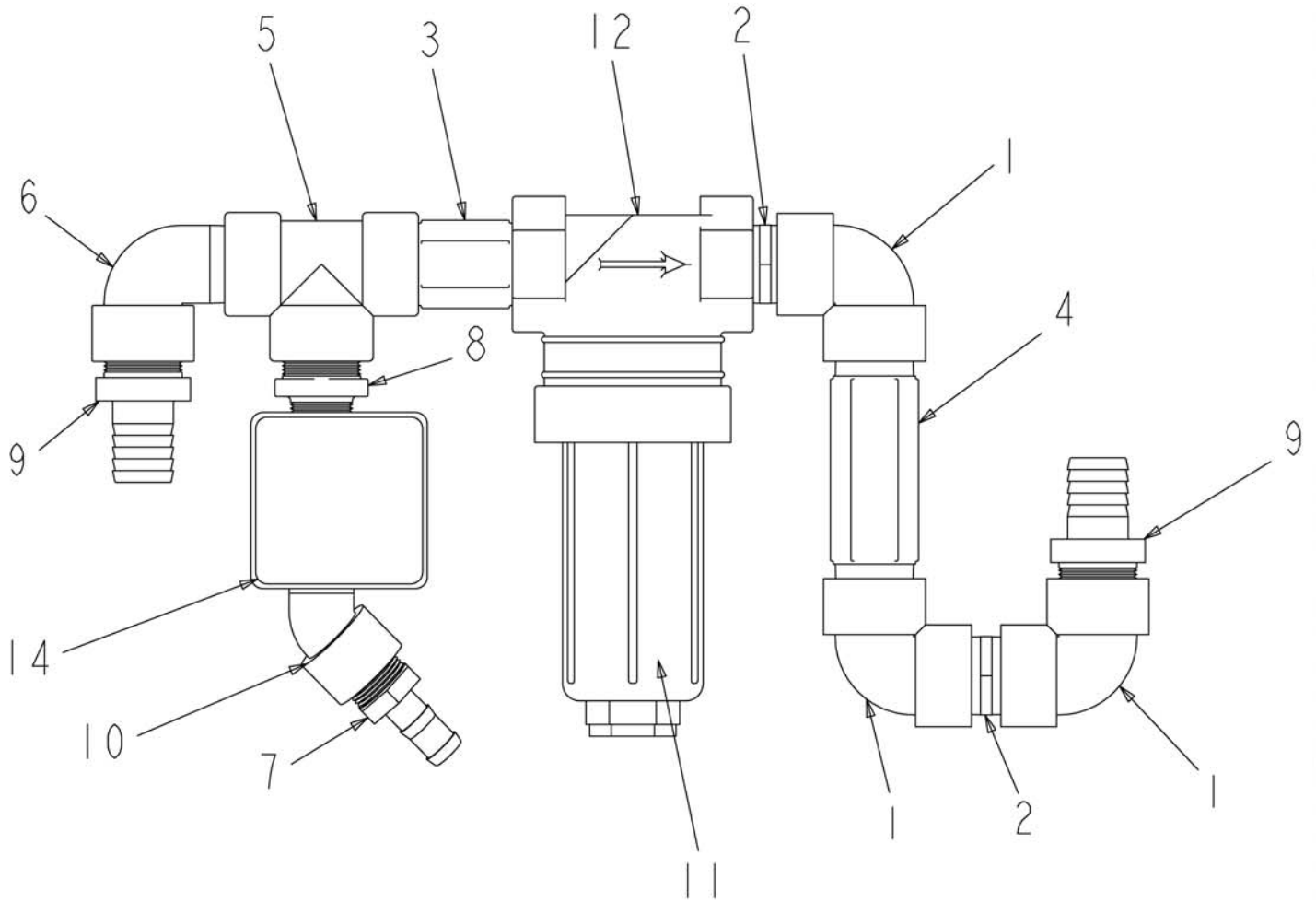
WR37560 - SPRAY SYS-GROUP,CHASSIS

ITEM	PART #	QTY	DESCRIPTION	COMMENTS
0	WR55582	2	U-BOLT,DRAWBAR	
0	WR12966	1	ELBOW-90,-04FP	
0	WR559415	1	ADAPTER -4FP X -6HB	
0	WR26241	-	HOSE-1/4 SOLUTION EPDM [BULK: 8.33 FT]	
0	6626638	1	HOSE-XLP,1-1/4 ID X 5.50,	
0	6801804	-	INSTL-SPRAY SYSTEM	
0	WR550493	1	WASHER LK 0.25 ZN REG	
0	WR550507	4	WASHER FL 0.25 ZN REG TYPE-B	
0	WR550612	9	NUT 0.25-20NC HEX ZN REG	
0	WR55180	6	WASHER-FLAT SAE,5/16 ID	
0	WR55316	1	NUT-HEX,M10 X 1.5 W/THREADLOCK	
0	WR10856	4	CLAMP-HOSE,2 SST, "ADAMS"	
1	WR657904	3	CLAMP-CIRCLE,FULL	
2	WR742876	1	GROMMET	
3	6511103	1	TEE	
4	6553411	1	BUSHING	
5	6595684	1	BRACKET-FLOWMETER	
6	6596121	1	STRAINER-MANIFOLD	SEE PAGE 5-2
7	6597735	1	HOSE	
8	6597904	1	MOUNT-HOSE	
9	6598908	1	ELBOW-BARBED	
10	WR562496	15	TIE CABLE 15.0 .18-4.00 BLACK	
11	6626119	4	U-BOLT	
12	6626524	1	MANIFOLD ASSY-SPRAY	SEE PAGE 5-4
13	6626530	1	CLUTCH ASSY	SEE PAGE 5-6
14	6626631	2	CLAMP-FULL CIRCLE	
15	6626634	1	HOSE	
16	6626637	1	HOSE	
17	6626642	1	HOSE	
18	6626644	1	HOSE	
19	6649508	1	BARB 1-1/4MPT X 1-1/4HB,316 SS	
20	WR051926	1	ELBOW STR 1.25 90D 304SS	
21	6660899	2	ADAPTER-12HB/-12MP,PP	
22	6660900	2	ADAPTER-16MP/-12HB,PP	
23	WR051142	2	ELBOW 90D 0.75NPTX0.75 BARB PP	
25	WR051151	1	NIPPLE-PIPE,0.75NPTXCLS,PP	
26	6661222	1	HOSE BARB 1.5MPT X 1.5 HB SS	
29	6661515	3	CLAMP-CLOSED TYPE	
30	6667188	1	FITTING	
31	WR513724	2	VLV BALL 0.75 POLY FF	
32	6668810	1	PUMP-SPRAY	SEE PAGE 5-7
33	WR55961	1	GAUGE-PROD PRESSURE	
34	WR050689	1	ELBOW-PIPE,2.00STREET,90D,PP	
35	WR050255	1	NIPPLE-PIPE,2.00NPTX4.00,PP	
36	WR000767	3	BARB-HOSE,2.00MNPTX2.00BARB,PP	
37	WR000769	1	BARB-HOSE,2.00MNPTX1.50BARB,PP	
38	WR050274	1	TEE,PIPE,2.00FNPT,PP	
39	WR050268	1	PLUG-PIPE,HEX,2.00NPT,PP	
40	WR053041	1	VALVE 3-WAY 2.00 BOTTOM LOAD	
41	6800965	1	HOSE	
42	6800968	1	HOSE	
43	6801821	1	BRACE-LH	
44	6801822	1	BRACE-RH	
45	6801836	1	TANK ASSY-SPRAY	SEE PAGE 5-8
46	6801992	2	STRAP ASSY-TANK	
47	6802428	1	TUBE	
48	6802429	2	CLAMP	
49	6803761	1	HOSE	
50	WR55866	2	HOSE-NONE(2)-12 X 95.50	
51	6648451	2	CLAMP-CUSHION, 3.0	
52	6802433	2	HOSE	
53	6802434	1	HOSE	
54	6802435	1	HOSE	
55	6802436	1	VALVE ASSY-INLET	SEE PAGE 5-9
56	6803710	1	RUBBER-STRIP	
57	6803243	1	BRACKET-HOSE	
58	WR55046	5	SCREW-CAP HEX M10 X R/B 562463	
59	WR55052	2	SCREW-CAP HEX M10 X 80	
60	WR550825	6	NUT 0.37-16NC HEX ZN REG	



WR37560 - SPRAY SYS-GROUP,CHASSIS

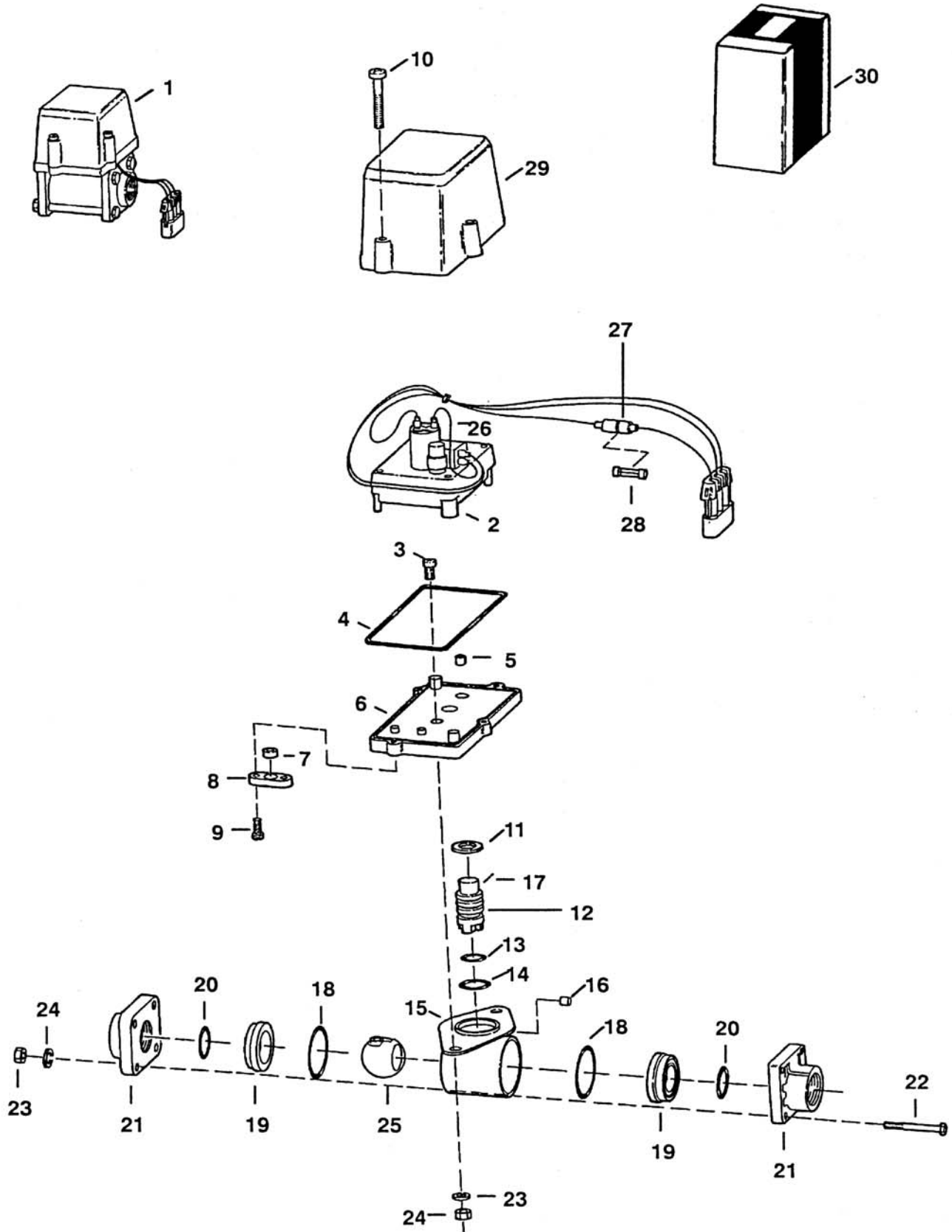
ITEM	PART #	QTY	DESCRIPTION	COMMENTS
61	WR550191	6	WASHER LK 0.37 ZN REG	
62	WR55106	2	WASHER-LOCK SPRING,10 MM	
63	WR55191	22	HEX HEAD,THREAD ROLLING SCREW	
64	WR523069	2	BOLT-M10-1.5X30,C8.8,ZN,FLG	
65	WR26037	4	CLAMP-SUPPORT CUSH R/B 562237	
66	WR32269	1	CLAMP-SUPPORT,CUSHION,	
67	WR32739	6	CLAMP-HOSE,T BOLT,1 3/4	
68	WR55292	3	CLAMP-HOSE,,78 SST	
69	WR561229	8	CLAMP 0.68-1.25 HOSE 12HS	
71	WR10857	8	CLAMP-HOSE,2 1/2 SST,	
72	WR55301	11	NUT-FLANGE,M10 X 1.5,PREV	
73	WR55323	3	SCREW-TAP PAN,#6-20 X 1/2	



6596121 - STRAINER-MANIFOLD

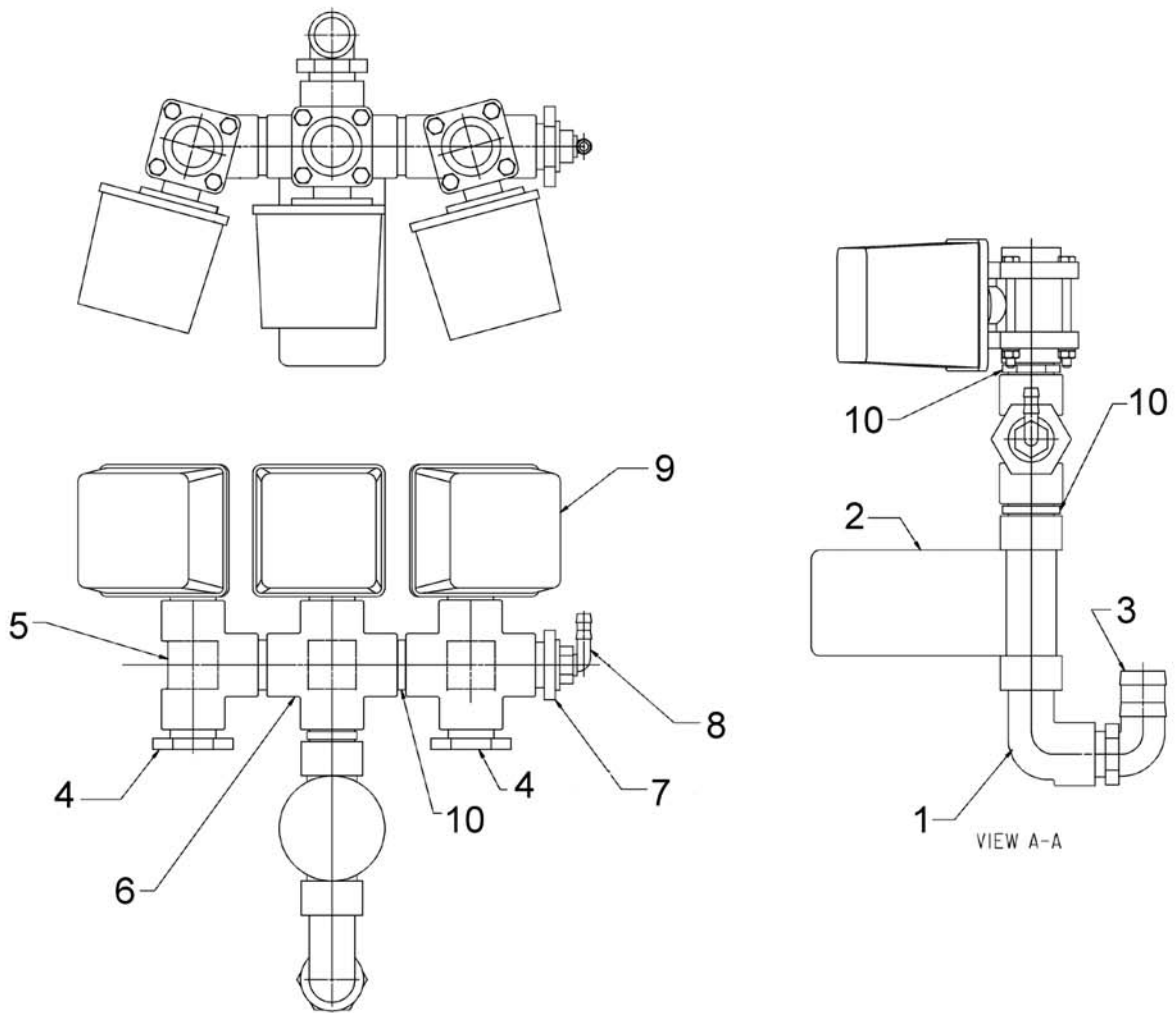
ITEM	PART #	QTY	DESCRIPTION	COMMENTS
1	WR051128	3	ELBOW-PIPE,1.25FNPT,90D,PP	
2	WR051157	2	NIPPLE-PIPE,1.25NPTXCLS,PP	
3	WR051158	1	NIPPLE-PIPE,1.25NPTX4.00,PP	
4	WR051159	1	NIPPLE-PIPE,1.25NPTX6.00,PP	
5	WR051162	1	TEE,PIPE,1.25FNPT,PP	
6	WR051165	1	ELBOW-PIPE,1.25STREET,90D,PP	
7	WR051182	1	BARB-HOSE,1.00MNPTX0.75BARB,PP	
8	WR051437	-	NIPPLE RED 1.25NPTX1.00NPT PP	
9	WR052116	2	ADAPTER .20MP X -20HB SS	
10	WR052342	1	POLY ST ELBOW 45D 1 IN	
11	WR052373	1	SCREEN 50 MESH	
12	WR053056	1	STRAINER ASM LESS SCREEN 1.25	
13	WR129187	AR	PIPE SEALANT-POLY SEAL	
14	6618341	1	VALVE ASSY	SEE PAGE 5-3

6618341 - VALVE ASSY



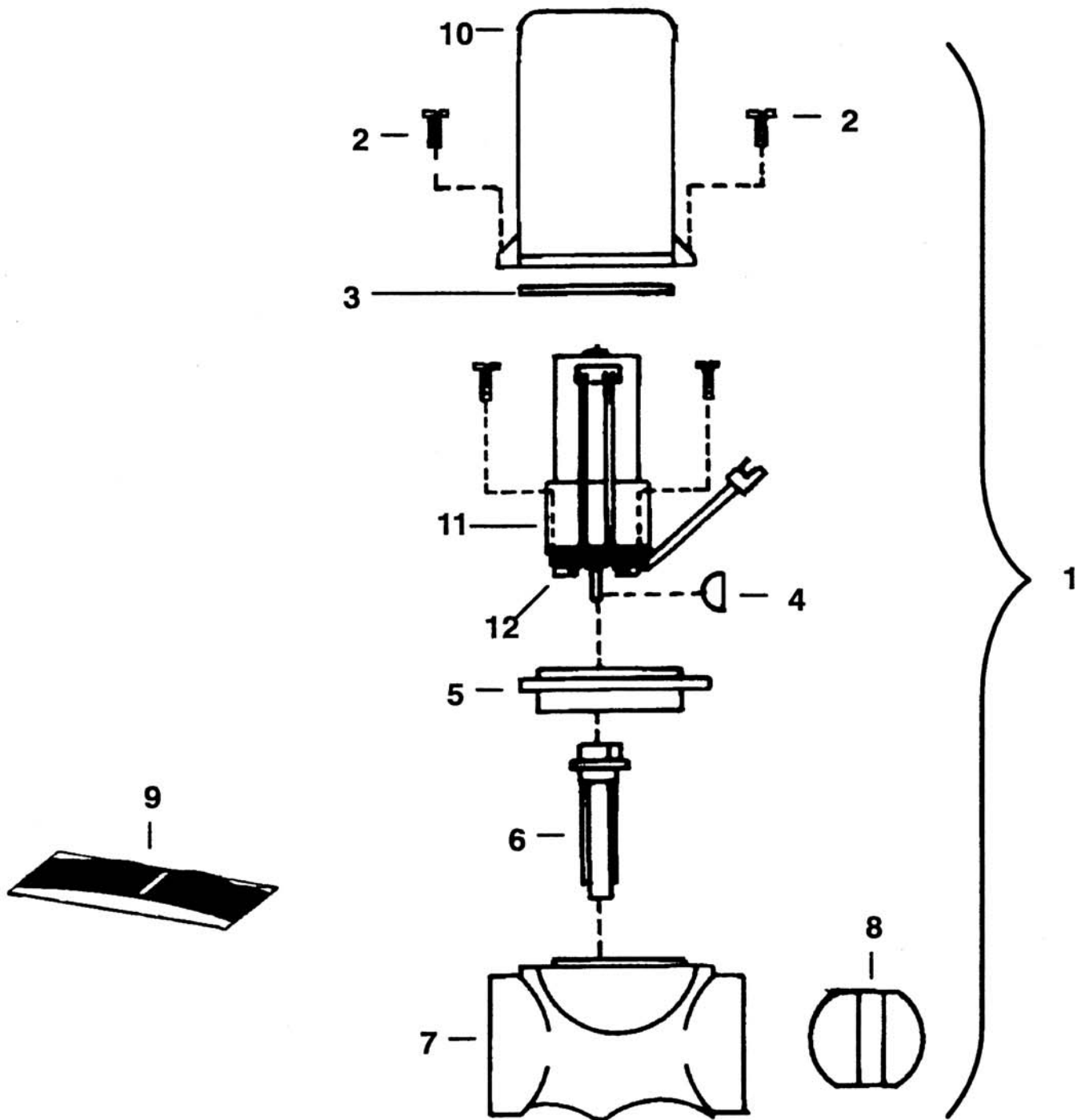
6618341 - VALVE ASSY

ITEM	PART #	QTY	DESCRIPTION	COMMENTS
1	WR056871	1	BALL VALVE ASM 1 IN 3-WIRE	
2	WR515765	3	SEAL CABLE GREY REEL 14 GA	
2	6649638	1	MOTOR	
3	WR515917	1	CONNECTOR ELEC SHROUD 3-CONT F	
3	6649639	2	STUD	
4	WR515762	3	TERM MA 16-14 GA W/PACK	
4	6670304	1	O-RING	
5	6649641	2	MOTOR MOUNT	
6	6649642	1	PLATE	
7	6657290	1	GROMMET	
8	6649644	1	GROMMET	
9	6649645	2	SCREW	
10	6670305	4	SCREW	
11	6666553	1	WASHER	
12	6670306	1	STEM	
13	6666554	1	O-RING	
14	6670307	1	O-RING	
15	6649647	1	BODY	
16	6666555	1	DUST PLUG	
17	6657291	1	PIN	
18	6666556	2	O-RING	
19	6670308	2	SEAL	
20	6666558	2	O-RING	
21	6649648	2	END CAP	
22	6649649	4	NUT	
23	6649650	6	NUT	
24	6649651	6	WASHER	
26	6657294	1	SWITCH	
27	6670309	1	FUSE HOLDER	
28	6657293	1	FUSE	
29	6670302	1	COVER	
30	6649652	1	KIT	



6626524 - MANIFOLD ASSY-SPRAY

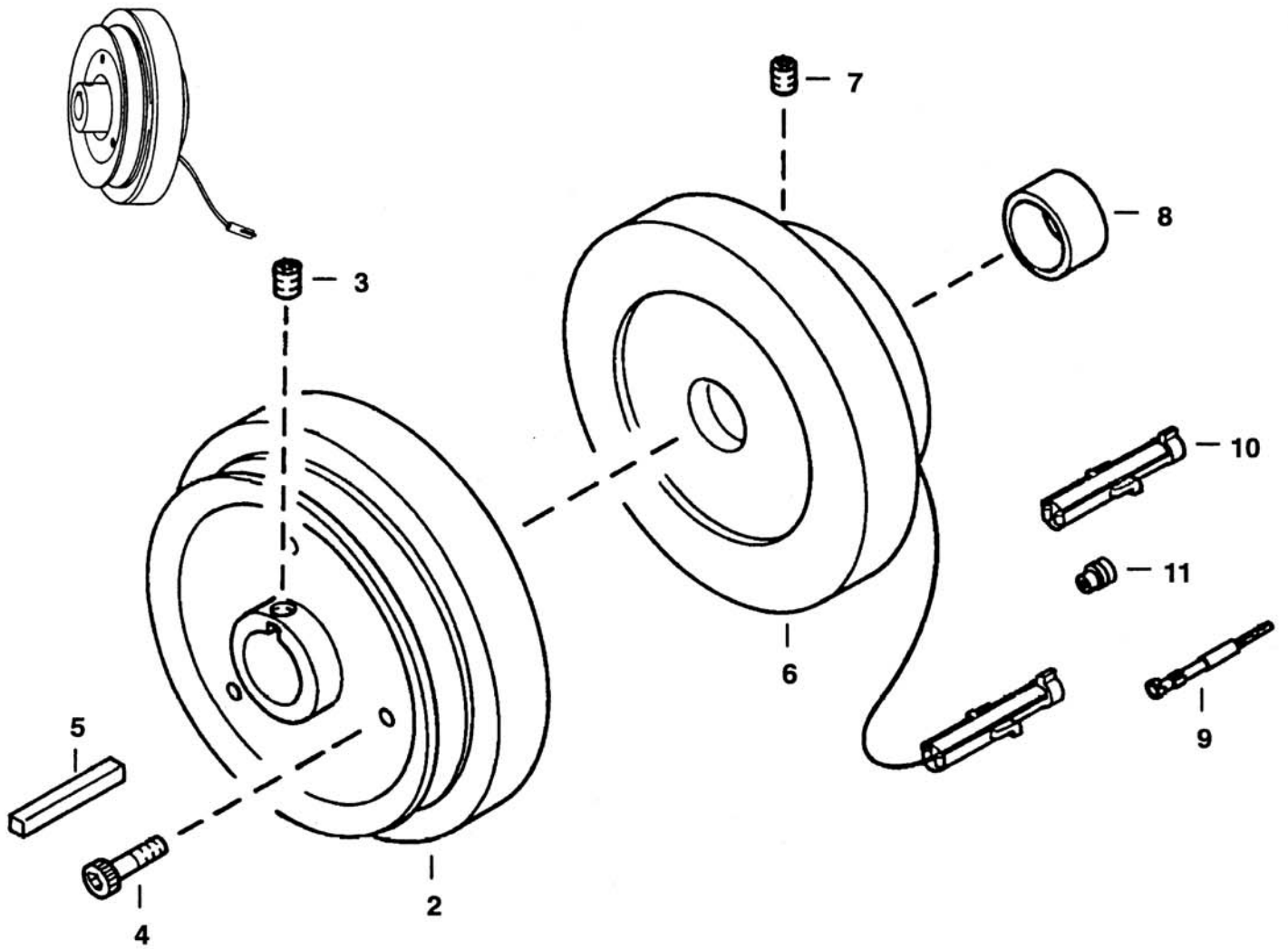
ITEM	PART #	QTY	DESCRIPTION	COMMENTS
0	6631647	-	TEFLON,LIQUID	
1	WR051058	1	ELBOW-PIPE,1.00STREET,90D,PP	
2	6632184	1	VALVE-PRESSURE,CONTROL	SEE PAGE 5-5
3	WR051146	1	ELBOW 90D 1.00NPTX1.25 BARB PP	
4	WR051135	2	PLUG-PIPE,HEX,1.00NPT,PP	
5	WR516405	1	TEE,PIPE,1.00FNPT,PP	
6	WR051442	2	CROSS-PIPE,1.00FNPT,PP	
7	WR051170	1	BSHG-RDCR,HEX,1.00X0.50NPT,PP	
8	WR051138	1	ELBOW 90D 0.50NPTX0.38BARB PP	
9	6618341	3	VALVE ASSY	SEE PAGE 5-3
10	WR051153	6	NIPPLE-PIPE,1.00NPTXCLS,PP	



6632184 - VALVE-PRESSURE,CONTROL

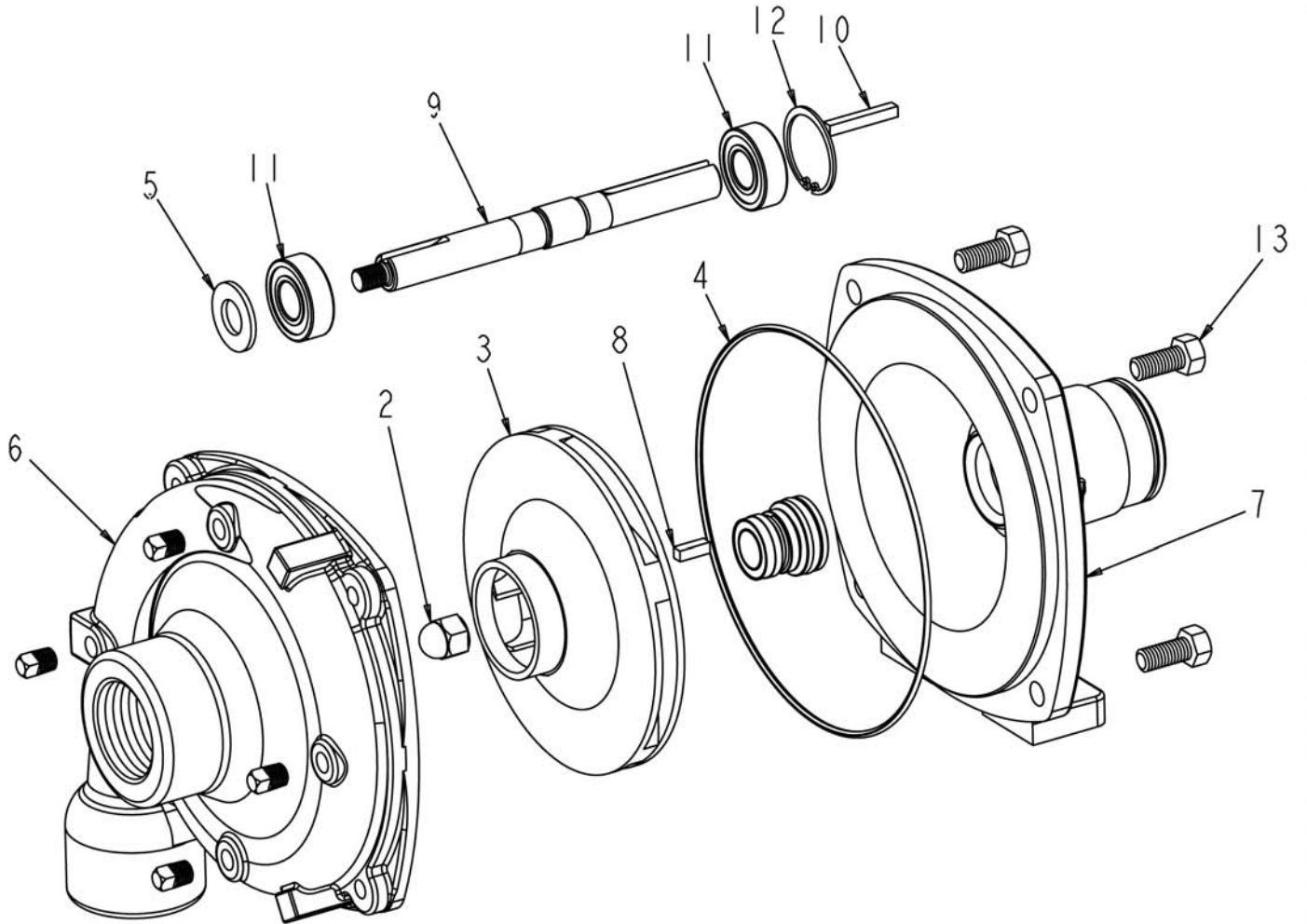
ITEM	PART #	QTY	DESCRIPTION	COMMENTS
3	6649635	1	SEAL	
9	6631580	1	REPAIR KIT	
10	6649633	1	COVER	
11	6649634	1	MOTOR	
12	6651305	1	CIRCUIT BOARD	
			ITEMS 2,4,6,7 & 8 CANNOT BE PURCHASED INDIVIDUALLY BUT ARE INCLUDED IN THE REPAIR KIT.	
			ITEM 2: SCREW	
			ITEM 4: KEY	
			ITEM 6: COUPLER SHAFT	
			ITEM 7: VALVE BODY	
			ITEM 8: BUTTERFLY	

6626530 - CLUTCH ASSY



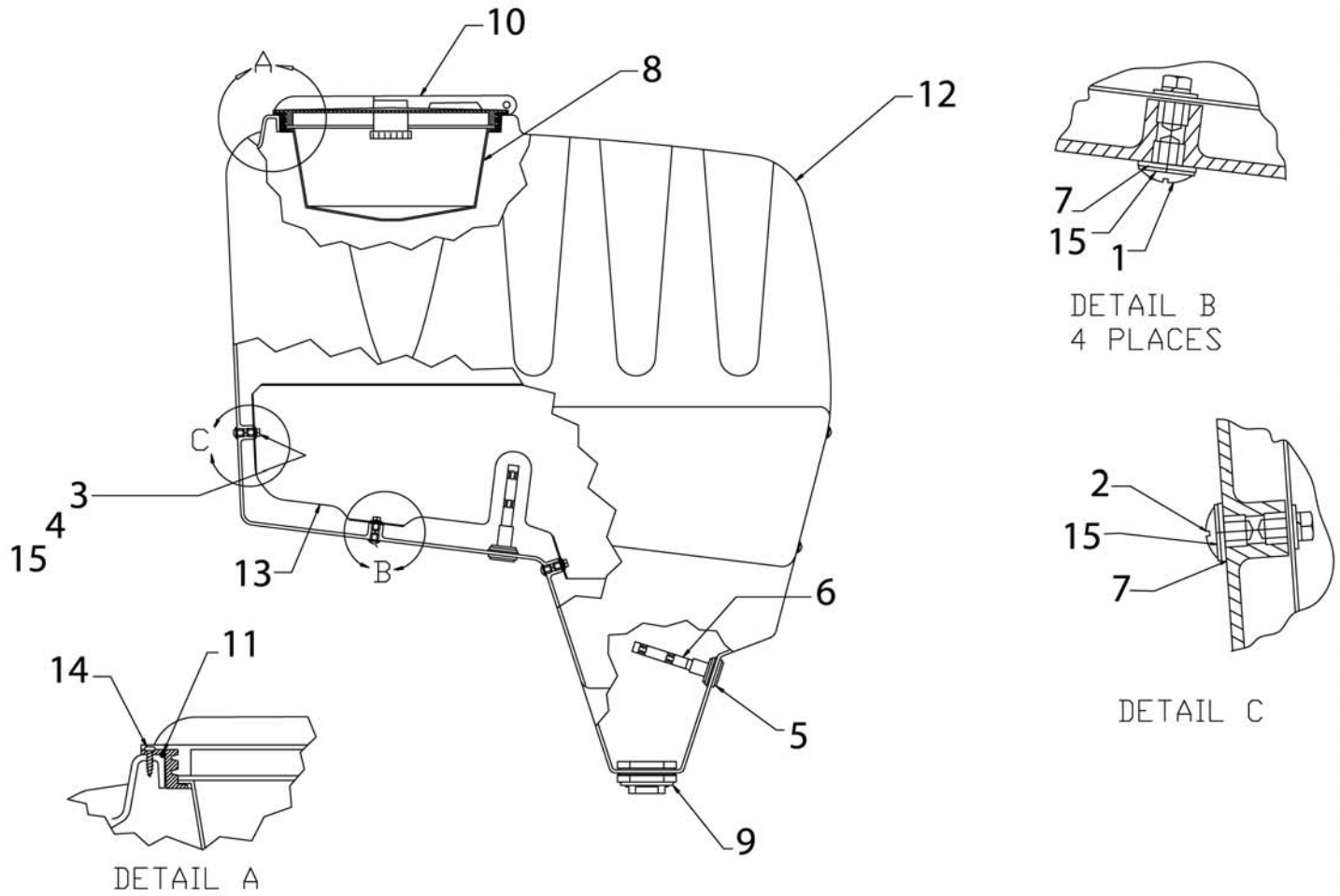
6626530 - CLUTCH ASSY

ITEM	PART #	QTY	DESCRIPTION	COMMENTS
0	6661223	1	CLUTCH-ELECTRIC,CW	
2	6662016	1	PULLEY	
3	6662017	2	SET SCREW	
4	6649534	3	SCREW	
5	7J002104B	1	KEY	
6	6617523	1	COIL RING	
7	6662018	3	SET SCREW	
8	6649533	1	SPACER	
9	WR515762	1	TERM MA 16-14 GA W/PACK	
10	WR515853	1	CONNECTOR ELEC SHROUD 1-CONT F	
11	WR515765	1	SEAL CABLE GREY REEL 14 GA	



6668810 - PUMP-SPRAY

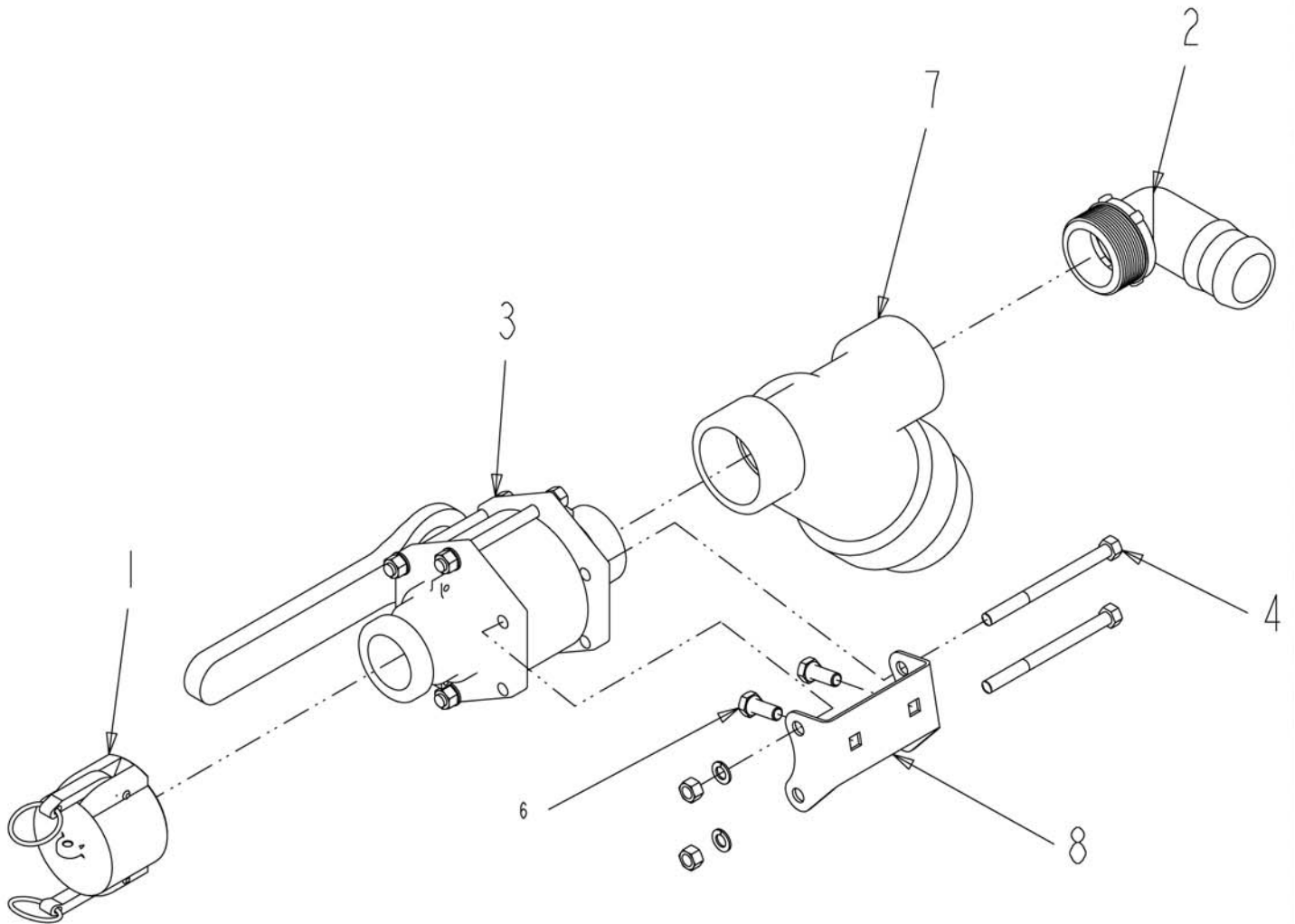
ITEM	PART #	QTY	DESCRIPTION	COMMENTS
1	6670680	1	PUMP, SPRAY	
2	6661125	1	NUT	
3	6662772	1	IMPELLER	
4	6616209	1	O-RING	
5	WR122586	1	SLINGER RING	
6	6662773	1	INLET CASTING	
7	6662771	1	FLANGE	
8	6661126	1	KEY	
9	6620675	1	SHAFT	
10	WR122590	1	KEY 3/16X3/16X1.25	
11	6610653	2	BEARING	
12	6616767	1	RING	
13	WR551503	4	BOLT 0.37-16NCX 0.75 G5 ZN HHD	
14	6661127	4	PLUG	
15	WR122578	1	SEAL KIT	
			ITEMS 7 & 9 CANNOT BE PURCHASED INDIVIDUALLY BUT ARE INCLUDED IN THE SEAL KIT.	
			ITEM 7: SEAL	
			ITEM 9: RING	



6801836 - TANK ASSY-SPRAY

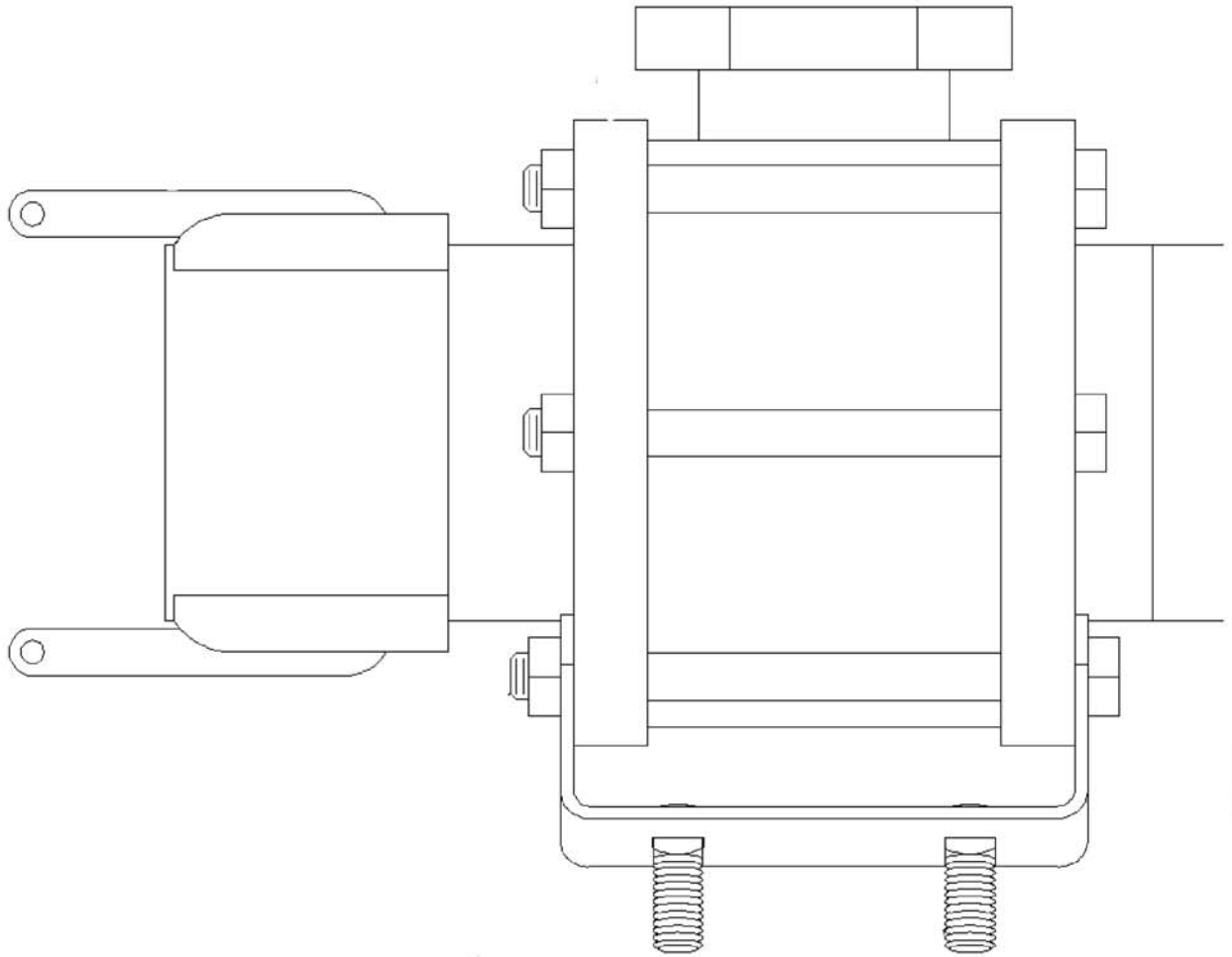
ITEM	PART #	QTY	DESCRIPTION	COMMENTS
1	WR55570	4	SCREW-TRUSS HEAD,SS,	
2	WR55571	1	SCREW-TRUSS HEAD, SS,	
3	WR55625	5	WASHER LOCK 3/8 SS	
4	WR562120	5	BOLT 0.37-16NCX 0.75 S.S. HDD	
5	6512905	2	INSERT ASSY-SQ END	
6	6620467	2	AGITATOR-A&M	
7	6630910	5	GASKET-SEAT	
8	6670277	1	SCREEN-TANK,SPRAY	
9	6670290	1	FITTING-TANK,2 IN	
10	6672457	1	COVER-HINGED	
11	6672485	1	GASKET-RIM,400 GALLON	
12	6801235	1	TANK-SPRAY	
13	6804552	1	SHIELD-BAFFLE	
14	6804681	8	SCREW-STAINLESS	
15	WR10416	5	WASHER-FLAT, 3/8 ID SS	

6802436 - VALVE ASSY-INLET



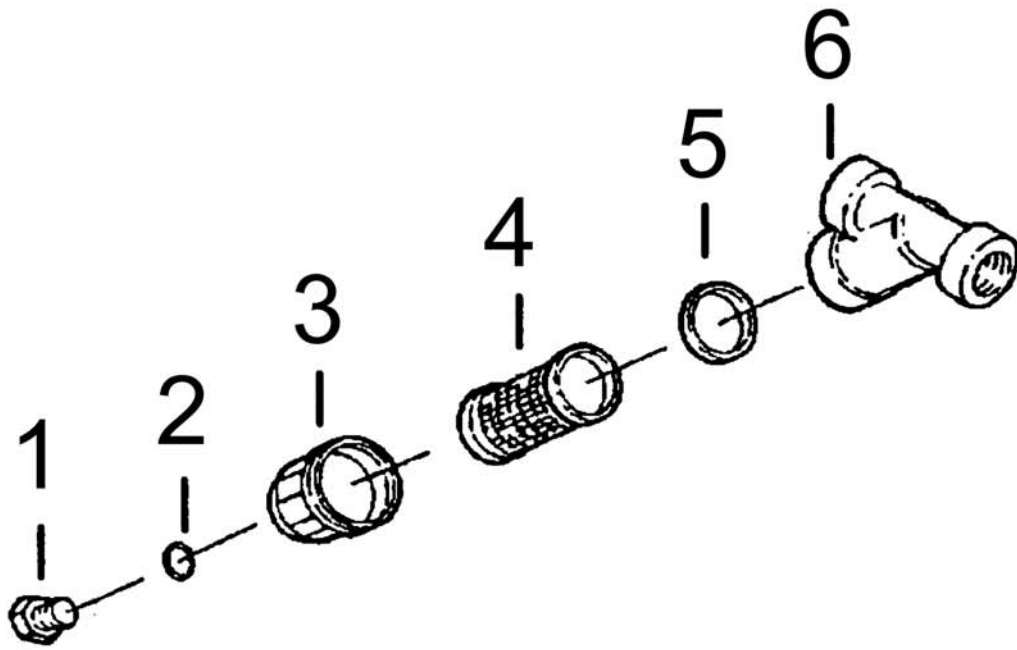
6802436 - VALVE ASSY-INLET

ITEM	PART #	QTY	DESCRIPTION	COMMENTS
1	WR000829	1	CAP-LEVER, QC, 2.00 PP	
2	WR050692	1	ELBOW 90D 2.00NPTX2.00 BARB PP	
3	WR50914	1	VALVE-BALL, 2 IN FP, W/CAM	SEE PAGE 5-10
4	WR120637	2	BOLT. 3/8-15NCX4.75 G5 ZN HHD	
5	WR129187	AR	PIPE SEALANT-POLY SEAL	
6	WR561683	2	BOLT M10-1.5 X 25MM G8.8 ZN HH	
7	6670750	1	FILTER-INLINE	SEE PAGE 5-11
8	6801772	1	BRACKET USE REPAIR KIT WR51213 TO SERVICE BALL VALVE	



WR50914 - VALVE-BALL,2 IN FP,W/CAM

ITEM	PART #	QTY	DESCRIPTION	COMMENTS
0	WR51213	1	KIT-REPAIR,-32 PP VALVE	



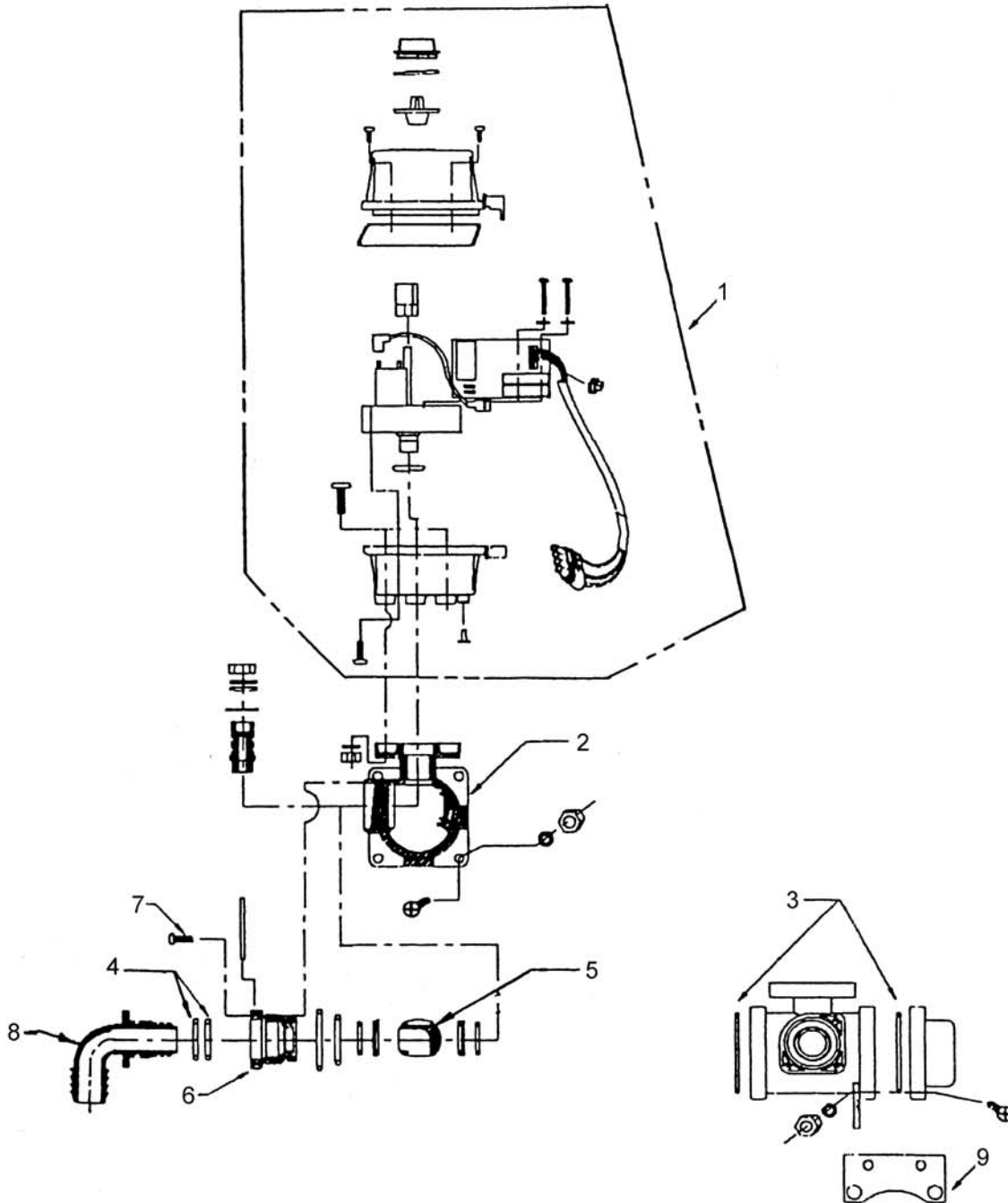
6670750 - FILTER-INLINE

ITEM	PART #	QTY	DESCRIPTION	COMMENTS
1	6666849	1	PLUG	
2	6671704	1	O-RING	
3	6667800	1	CAP	
4	6662001	1	SCREEN-20 MESH	
5	6671703	1	GASKET	
6	6671702	1	BODY	

WR37807 - SPRAY SYS GROUP-"H" FRAME

ITEM	PART #	QTY	DESCRIPTION	COMMENTS
1	WR32739	4	CLAMP-HOSE,T BOLT,1 3/4	
2	WR34501	5	ELBOW-90,-12HB	
3	WR55180	4	WASHER-FLAT SAE,5/16 ID	
4	WR55301	4	NUT-FLANGE,M10 X 1.5,PREV	
5	WR55352	4	NUT-TOPLOCK,5/16-18UNC G8	
6	WR550191	8	WASHER LK 0.37 ZN REG	
7	WR550493	4	WASHER LK 0.25 ZN REG	
8	WR550507	4	WASHER FL 0.25 ZN REG TYPE-B	
9	WR550612	4	NUT 0.25-20NC HEX ZN REG	
10	WR601411	8	NUT 0.37-16NC HEX ZN REG LK NY	
11	WR657904	2	CLAMP-CIRCLE,FULL	
12	6626119	4	U-BOLT	
13	6632184	1	VALVE-PRESSURE,CONTROL	SEE PAGE 5-5
14	WR37782	1	HOSE-20(NONE)X1.25X 4.875	
15	WR38755	1	ELBOW-90,-04MP/-06HB,PP	
16	WR056785	1	CLAMP 2.00 FLANGE	
17	WR55582	2	U-BOLT,DRAWBAR	
18	WR55856	-	VALVE ASSY-KZ, 5 SECTION,	SEE PAGE 5-13
19	WR55859	1	MOUNT-HOSE	
20	WR55860	1	MOUNT-FLOW CONTROL VALVE	
21	WR009979	1	GASKET VITON	
22	WR056290	1	CONNECTOR 2.00FLGX1.25HOSE 90D	
23	WR55865	1	HOSE-NONE(2)-20XPLE X 089	
24	WR051183	2	BARB-HOSE,1.00MNPTX1.25BARB,PP	

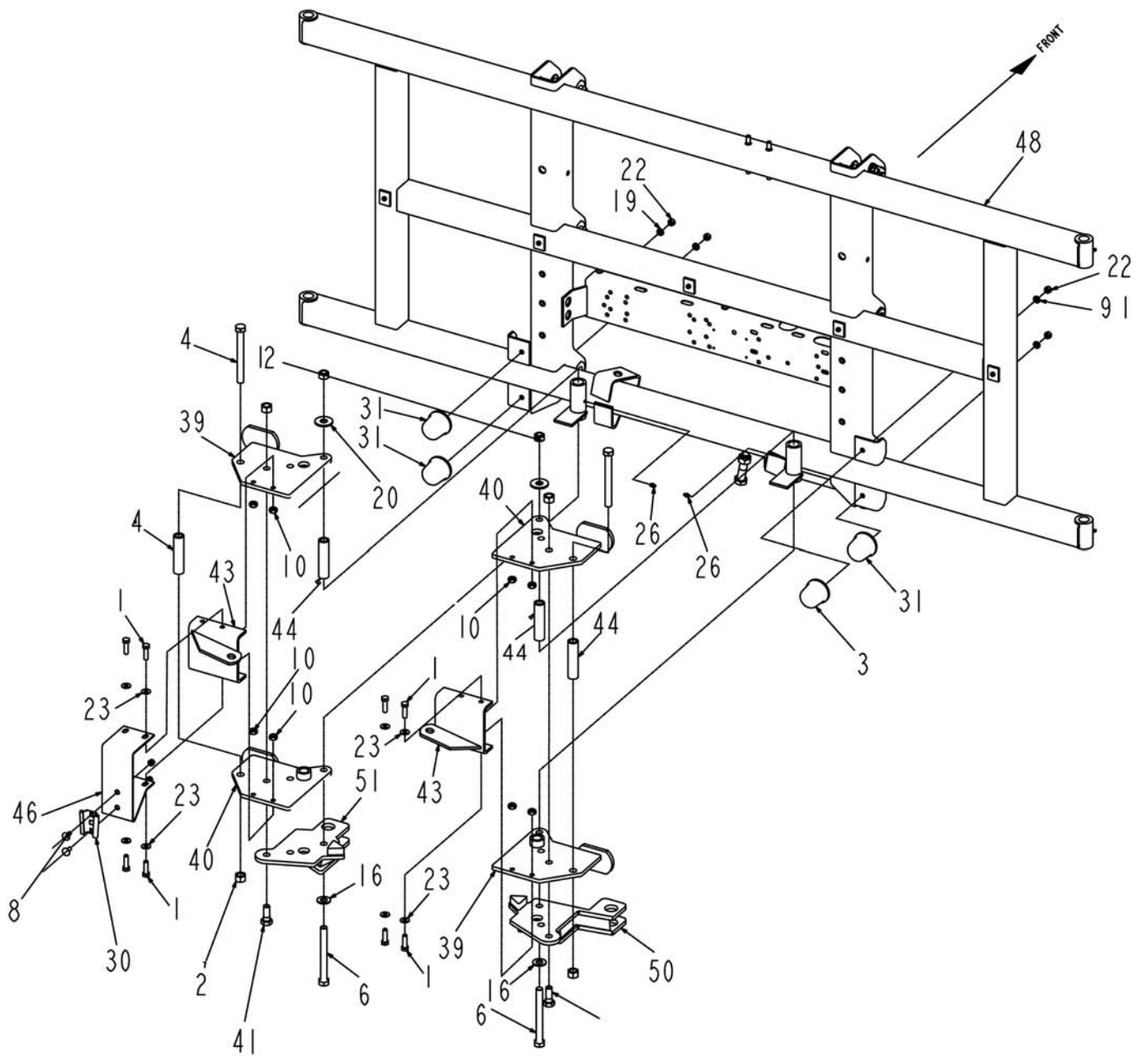
WR55856 - VALVE ASSY-KZ, 5 SECTION,



WR55856 - VALVE ASSY-KZ, 5 SECTION,

ITEM	PART #	QTY	DESCRIPTION	COMMENTS
0	WR36853	2	CAP-BLANK,POLYQC3 VALVE	
0	WR726175	1	MANIFOLD-SECTION, 1.5 IN	
0	WR56043	1	VALVE W/O POWER HEAD	
0	WR56044	1	VALVE W/POWER HEAD	
0	WR122617	1	SEAT INSERT,OUTLET	
0	WR35024	1	SEAL KIT-VALVE,1 SECTION,	
0	WR122619	1	SEAT INSERT SCREW SS	
1	WR55857	1	CONTROL-POWERHEAD,QC3,50J	
2	WR35019	1	VALVE BODY-QC3	
3	WR35020	2	ORING-SEAL,VALVE,QC3	
4	WR35021	2	ORING-SEAL,ADAPTER,QC3	
5	WR35023	1	BALL-SS,QC3	
7	WR122618	1	HAIR PIN 1/8 SS	
8	WR34501	1	ELBOW-90,-12HB	
8	WR34500	1	ELBOW-90,-16HB	
9	WR122620	2	MOUNTING BRACKET	

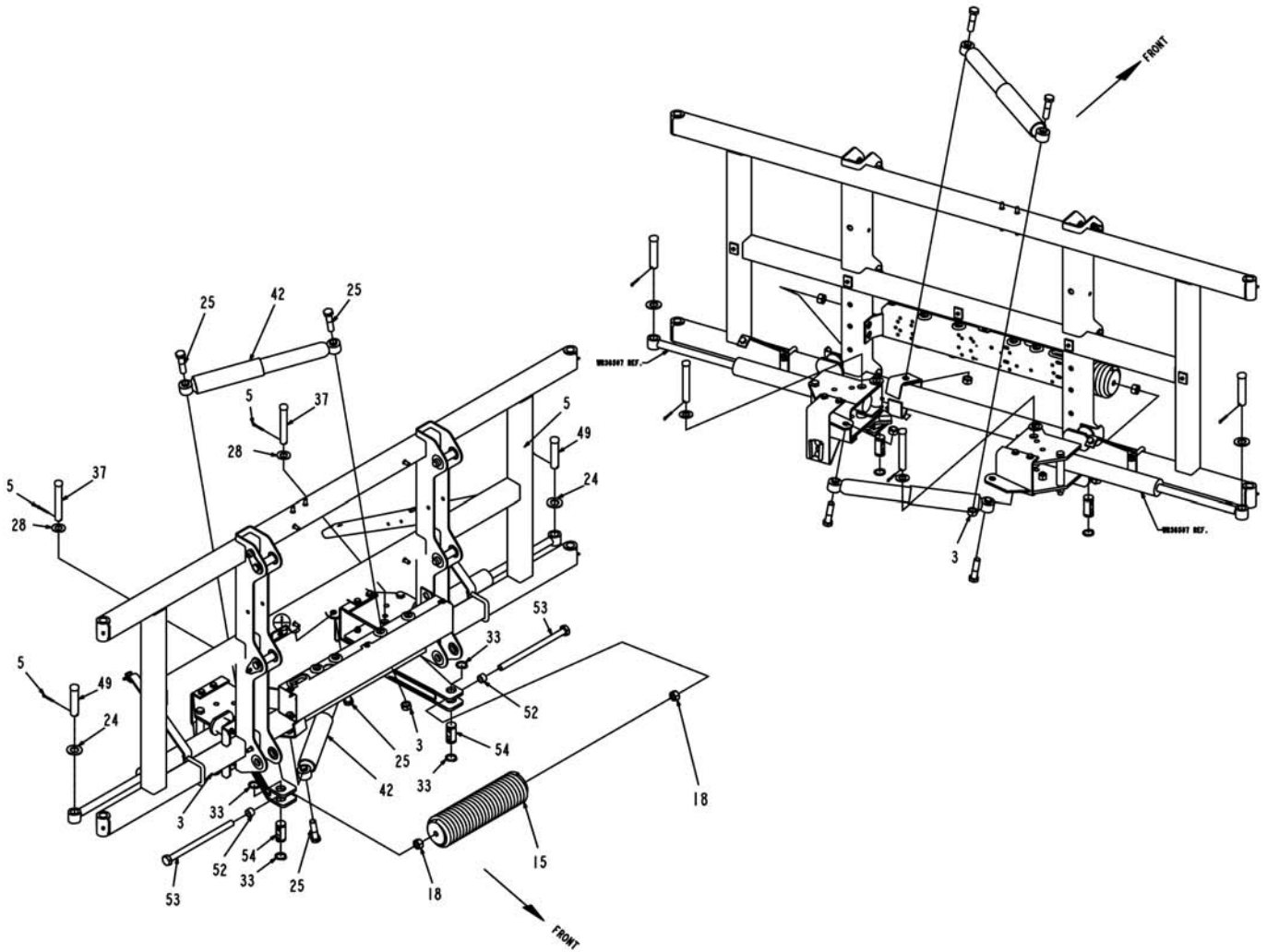
WR37810 - REAR "H" FRAME GROUP



WR37810 - REAR "H" FRAME GROUP

ITEM	PART #	QTY	DESCRIPTION	COMMENTS
0	WR50814	2	SCREW-CAP HEX 5/8 NC X	
1	WR029298	8	BOLT M10-1.50X 35MM G8.8 ZN HH	
2	WR32254	2	NUT-TOPLOCK,M8-1.25	
3	WR35152	4	NUT-TOPLOCK3/4-10UNC G8 "ADAM"	
4	WR55068	2	SCREW-CAP HEX M16 X 150	
5	WR55083	4	PIN-COTTER,3/16 X 1 1/2	
6	WR55153	2	SCREW-CAP HEX 5/8 NC X	
7	WR55158	8	WASHER-FLAT,10MM ID,	
8	WR55172	2	BOLT-CARRIAGE,M8 X 20,	
9	WR55205	6	SCREW-HEX FLG,M8X1.25X16 CL8.8	
10	WR55272	12	NUT-LOCK,M10 X 1.5,PREV	
11	WR55354	2	NUT-TOPLOCK, 1/2-13UNC G8	
12	WR55355	2	NUT-TOPLOCK,5/8-11UNC G8	
13	WR55372	8	NUT-LOCK FLANGE, 1/2-13NC	
14	WR121581	2	BOLT HHD M16-2.0X40MM 10.9	
15	WR121622	1	SPRING, ASSY	
16	WR515180	2	WASHER 0.62 FL ZN REG G8	
17	WR520885	4	NUT-.38-16,G5,ZN,FLG,H	
18	WR522718	2	NUT-. 75-10,G8,ZN,H	
19	WR550191	4	WASHER LK 0.37 ZN REG	
20	WR550310	2	WASHER 0.62 FL ZN REG TYPE-B	
21	WR550655	2	BOLT 0.50-13NCX 1.00 G5 ZN HHD	
22	WR550825	4	NUT 0.37-16NC HEX ZN REG	
23	WR551015	8	WASHER 0.31 FL ZN REG TYPE-B	
24	WR551856	2	WASHER1.00FL ZN SAE TYPE-A	
25	WR553689	4	BOLT 0.75-10NCX 3.00 G5 ZN HHD	
26	WR561892	6	FITTING LUBE STR 0.25UNF	
27	WR562799	4	NUT HEX M16 X 2.00	
28	WR606258	2	WASHER 1.75ODX0.93ID G8 ZN	
29	WR731972	6	GROMMET	
30	6519752	1	SOCKET	
31	6530360	4	BUMPER-RUBBER	
32	6533975	1	GROMMET	
33	6538287	4	RING-SNAP	
34	6617585	1	TUBE-BOOM,CNTR	
35	6617765	2	BRACKET-W/A	
36	6617780	2	SUPPORT	
37	6618227	2	PIN-CLEVIS	
38	6618836	4	PIN-W/A	
39	6618840	2	PIVOT-W/A	
40	6618841	2	PIVOT WLDMT-BOOM CUSHION	
41	6620133	4	U-BOLT SQUARE,1/2 NC	
42	6623263	2	SHOCK ABSORBER-BOOM	
43	6624680	2	MOUNT-WLDMT,SHOCK	
44	6624692	4	SLEEVE	
45	6626119	2	U-BOLT	
46	6626929	1	BRACKET	
47	6659910	2	CAP	
48	6802250	1	BOOM-CENTER FRAME,W/A	
49	6802711	2	PIN-CLEVIS	
50	6802789	1	LEVER-W/A,RH	
51	6802790	1	LEVER-W/A,LH	
52	6803869	2	SPACER	
53	6804076	2	BOLT-SUSPENSION	
54	WR37580	2	PIN-SPRING PIVOT	
55	WR37895	1	COVER-ELECTRICAL	

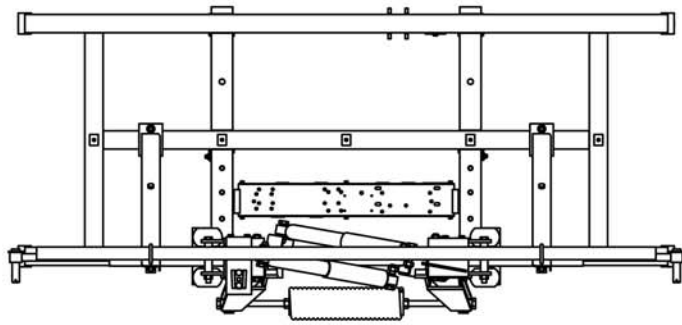
WR37810 - REAR "H" FRAME GROUP



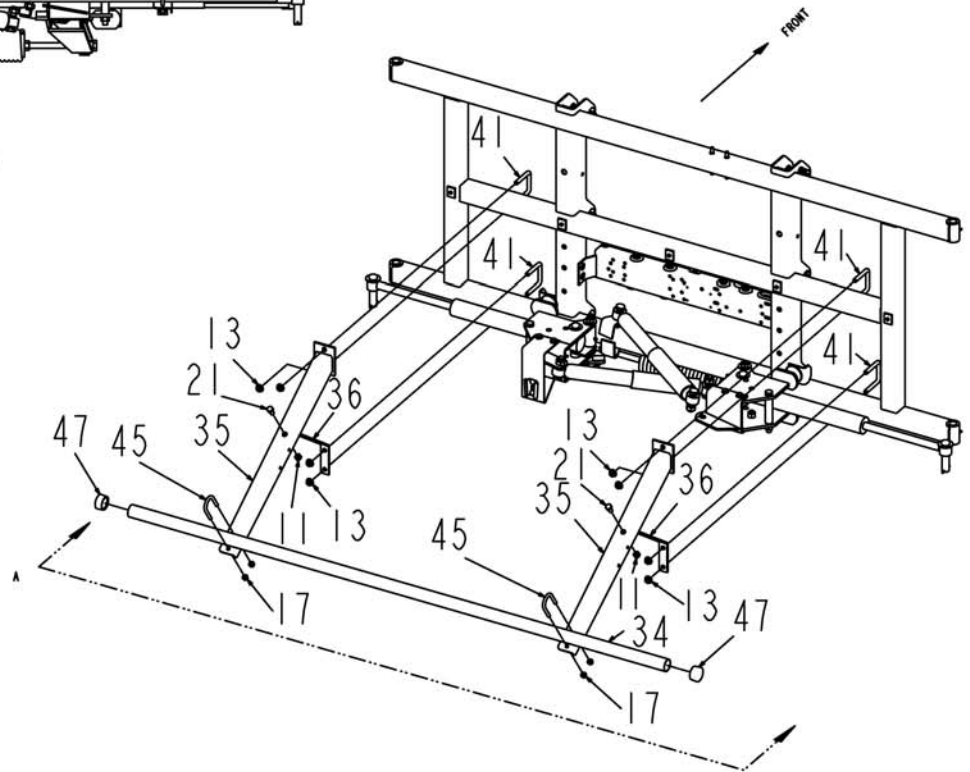
WR37810 - REAR "H" FRAME GROUP

ITEM	PART #	QTY	DESCRIPTION	COMMENTS
0	WR50814	2	SCREW-CAP HEX 5/8 NC X	
1	WR029298	8	BOLT M10-1.50X 35MM G8.8 ZN HH	
2	WR32254	2	NUT-TOPLOCK,M8-1.25	
3	WR35152	4	NUT-TOPLOCK3/4-10UNC G8 "ADAM"	
4	WR55068	2	SCREW-CAP HEX M16 X 150	
5	WR55083	4	PIN-COTTER,3/16 X 1 1/2	
6	WR55153	2	SCREW-CAP HEX 5/8 NC X	
7	WR55158	8	WASHER-FLAT,10MM ID,	
8	WR55172	2	BOLT-CARRIAGE,M8 X 20,	
9	WR55205	6	SCREW-HEX FLG,M8X1.25X16 CL8.8	
10	WR55272	12	NUT-LOCK,M10 X 1.5,PREV	
11	WR55354	2	NUT-TOPLOCK, 1/2-13UNC G8	
12	WR55355	2	NUT-TOPLOCK,5/8-11UNC G8	
13	WR55372	8	NUT-LOCK FLANGE, 1/2-13NC	
14	WR121581	2	BOLT HHD M16-2.0X40MM 10.9	
15	WR121622	1	SPRING, ASSY	
16	WR515180	2	WASHER 0.62 FL ZN REG G8	
17	WR520885	4	NUT-.38-16,G5,ZN,FLG,H	
18	WR522718	2	NUT-. 75-10,G8,ZN,H	
19	WR550191	4	WASHER LK 0.37 ZN REG	
20	WR550310	2	WASHER 0.62 FL ZN REG TYPE-B	
21	WR550655	2	BOLT 0.50-13NCX 1.00 G5 ZN HHD	
22	WR550825	4	NUT 0.37-16NC HEX ZN REG	
23	WR551015	8	WASHER 0.31 FL ZN REG TYPE-B	
24	WR551856	2	WASHER1.00FL ZN SAE TYPE-A	
25	WR553689	4	BOLT 0.75-10NCX 3.00 G5 ZN HHD	
26	WR561892	6	FITTING LUBE STR 0.25UNF	
27	WR562799	4	NUT HEX M16 X 2.00	
28	WR606258	2	WASHER 1.75ODX0.93ID G8 ZN	
29	WR731972	6	GROMMET	
30	6519752	1	SOCKET	
31	6530360	4	BUMPER-RUBBER	
32	6533975	1	GROMMET	
33	6538287	4	RING-SNAP	
34	6617585	1	TUBE-BOOM,CNTR	
35	6617765	2	BRACKET-W/A	
36	6617780	2	SUPPORT	
37	6618227	2	PIN-CLEVIS	
38	6618836	4	PIN-W/A	
39	6618840	2	PIVOT-W/A	
40	6618841	2	PIVOT WLDMT-BOOM CUSHION	
41	6620133	4	U-BOLT SQUARE,1/2 NC	
42	6623263	2	SHOCK ABSORBER-BOOM	
43	6624680	2	MOUNT-WLDMT,SHOCK	
44	6624692	4	SLEEVE	
45	6626119	2	U-BOLT	
46	6626929	1	BRACKET	
47	6659910	2	CAP	
48	6802250	1	BOOM-CENTER FRAME,W/A	
49	6802711	2	PIN-CLEVIS	
50	6802789	1	LEVER-W/A,RH	
51	6802790	1	LEVER-W/A,LH	
52	6803869	2	SPACER	
53	6804076	2	BOLT-SUSPENSION	
54	WR37580	2	PIN-SPRING PIVOT	
55	WR37895	1	COVER-ELECTRICAL	

WR37810 - REAR "H" FRAME GROUP



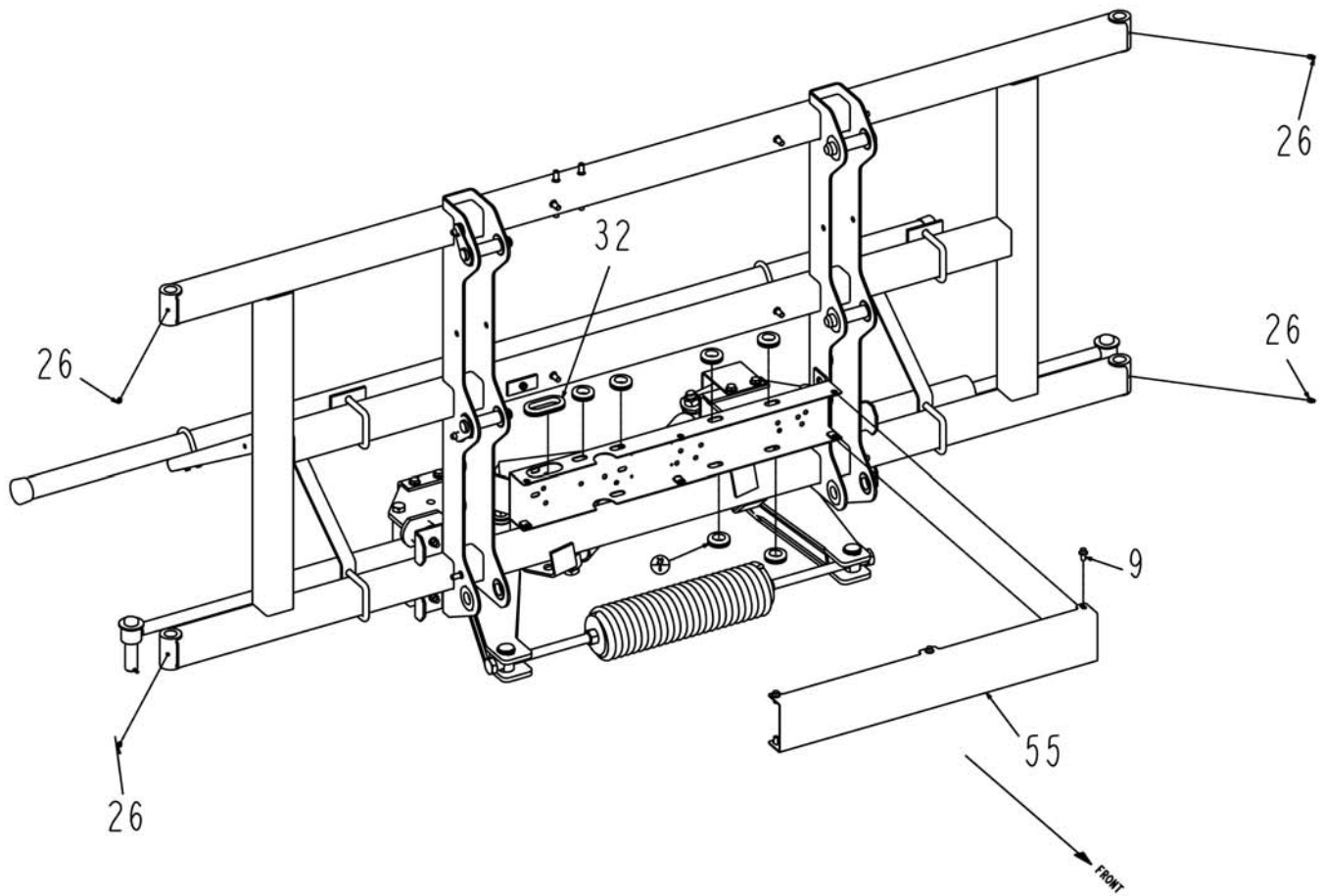
VIEW A-A



WR37810 - REAR "H" FRAME GROUP

ITEM	PART #	QTY	DESCRIPTION	COMMENTS
0	WR50814	2	SCREW-CAP HEX 5/8 NC X	
1	WR029298	8	BOLT M10-1.50X 35MM G8.8 ZN HH	
2	WR32254	2	NUT-TOPLOCK,M8-1.25	
3	WR35152	4	NUT-TOPLOCK3/4-10UNC G8 "ADAM"	
4	WR55068	2	SCREW-CAP HEX M16 X 150	
5	WR55083	4	PIN-COTTER,3/16 X 1 1/2	
6	WR55153	2	SCREW-CAP HEX 5/8 NC X	
7	WR55158	8	WASHER-FLAT,10MM ID,	
8	WR55172	2	BOLT-CARRIAGE,M8 X 20,	
9	WR55205	6	SCREW-HEX FLG,M8X1.25X16 CL8.8	
10	WR55272	12	NUT-LOCK,M10 X 1.5,PREV	
11	WR55354	2	NUT-TOPLOCK, 1/2-13UNC G8	
12	WR55355	2	NUT-TOPLOCK,5/8-11UNC G8	
13	WR55372	8	NUT-LOCK FLANGE, 1/2-13NC	
14	WR121581	2	BOLT HHD M16-2.0X40MM 10.9	
15	WR121622	1	SPRING, ASSY	
16	WR515180	2	WASHER 0.62 FL ZN REG G8	
17	WR520885	4	NUT-.38-16,G5,ZN,FLG,H	
18	WR522718	2	NUT-. 75-10,G8,ZN,H	
19	WR550191	4	WASHER LK 0.37 ZN REG	
20	WR550310	2	WASHER 0.62 FL ZN REG TYPE-B	
21	WR550655	2	BOLT 0.50-13NCX 1.00 G5 ZN HHD	
22	WR550825	4	NUT 0.37-16NC HEX ZN REG	
23	WR551015	8	WASHER 0.31 FL ZN REG TYPE-B	
24	WR551856	2	WASHER1.00FL ZN SAE TYPE-A	
25	WR553689	4	BOLT 0.75-10NCX 3.00 G5 ZN HHD	
26	WR561892	6	FITTING LUBE STR 0.25UNF	
27	WR562799	4	NUT HEX M16 X 2.00	
28	WR606258	2	WASHER 1.75ODX0.93ID G8 ZN	
29	WR731972	6	GROMMET	
30	6519752	1	SOCKET	
31	6530360	4	BUMPER-RUBBER	
32	6533975	1	GROMMET	
33	6538287	4	RING-SNAP	
34	6617585	1	TUBE-BOOM,CNTR	
35	6617765	2	BRACKET-W/A	
36	6617780	2	SUPPORT	
37	6618227	2	PIN-CLEVIS	
38	6618836	4	PIN-W/A	
39	6618840	2	PIVOT-W/A	
40	6618841	2	PIVOT WLDMT-BOOM CUSHION	
41	6620133	4	U-BOLT SQUARE,1/2 NC	
42	6623263	2	SHOCK ABSORBER-BOOM	
43	6624680	2	MOUNT-WLDMT,SHOCK	
44	6624692	4	SLEEVE	
45	6626119	2	U-BOLT	
46	6626929	1	BRACKET	
47	6659910	2	CAP	
48	6802250	1	BOOM-CENTER FRAME,W/A	
49	6802711	2	PIN-CLEVIS	
50	6802789	1	LEVER-W/A,RH	
51	6802790	1	LEVER-W/A,LH	
52	6803869	2	SPACER	
53	6804076	2	BOLT-SUSPENSION	
54	WR37580	2	PIN-SPRING PIVOT	
55	WR37895	1	COVER-ELECTRICAL	

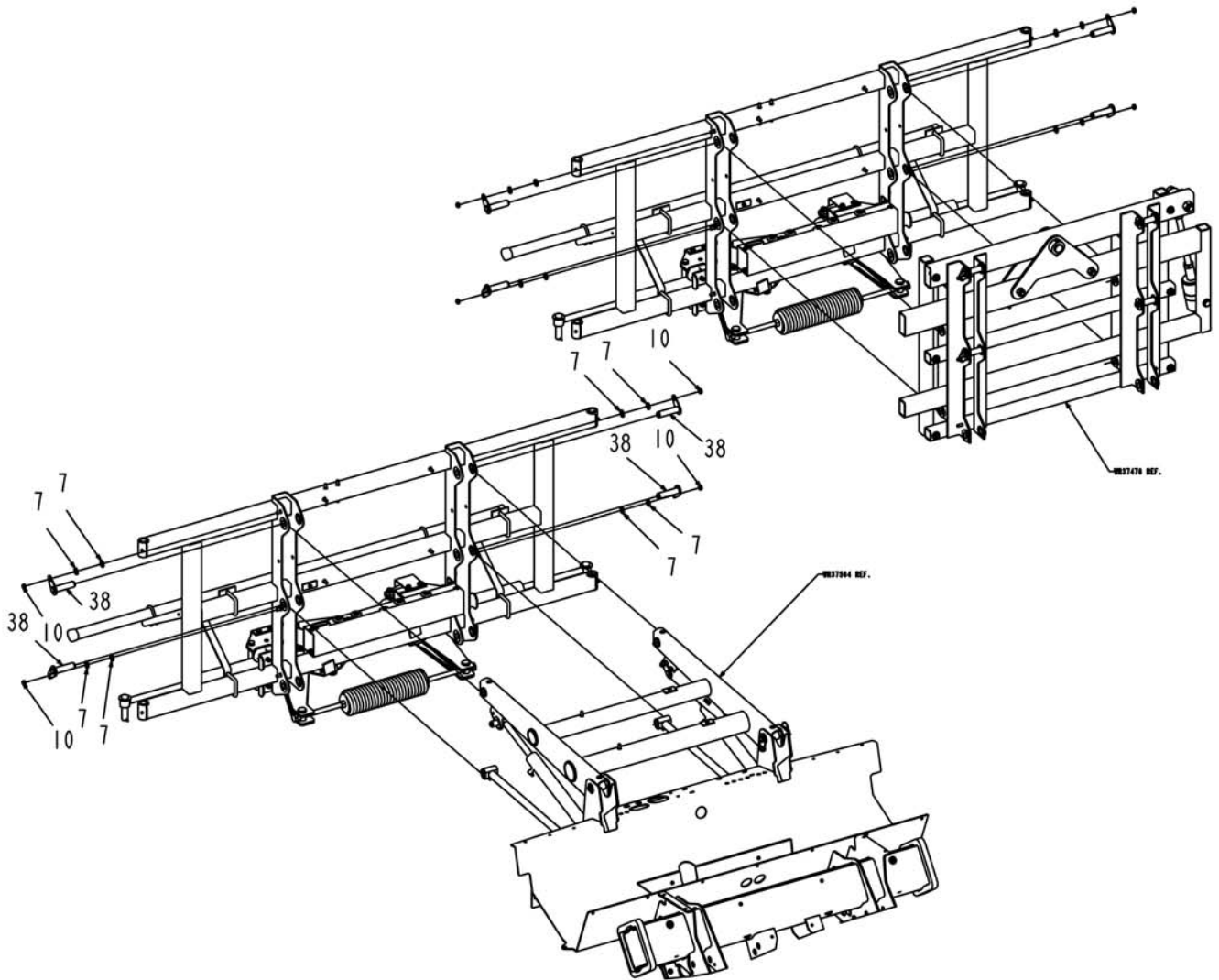
WR37810 - REAR "H" FRAME GROUP



WR37810 - REAR "H" FRAME GROUP

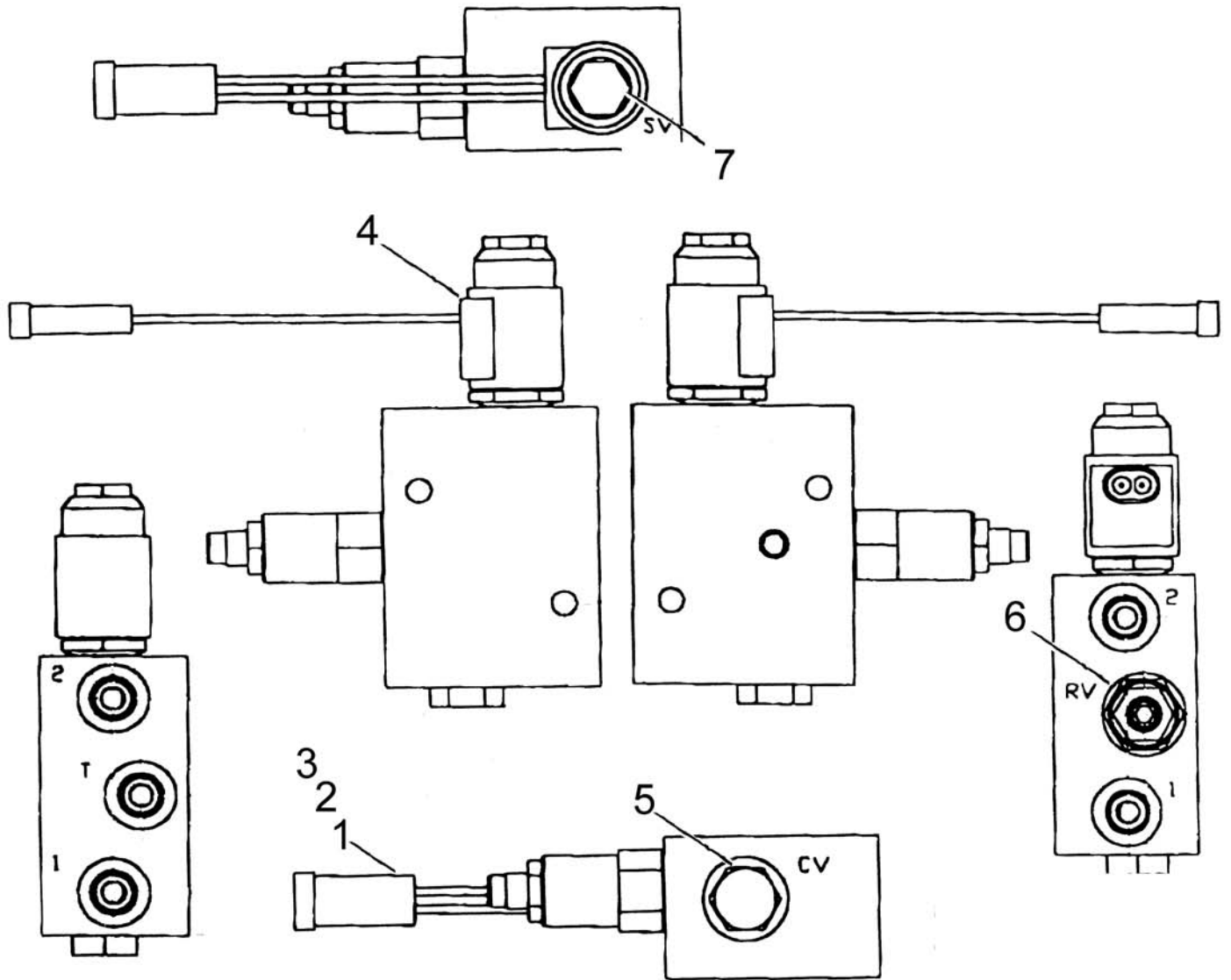
ITEM	PART #	QTY	DESCRIPTION	COMMENTS
0	WR50814	2	SCREW-CAP HEX 5/8 NC X	
1	WR029298	8	BOLT M10-1.50X 35MM G8.8 ZN HH	
2	WR32254	2	NUT-TOPLOCK,M8-1.25	
3	WR35152	4	NUT-TOPLOCK3/4-10UNC G8 "ADAM"	
4	WR55068	2	SCREW-CAP HEX M16 X 150	
5	WR55083	4	PIN-COTTER,3/16 X 1 1/2	
6	WR55153	2	SCREW-CAP HEX 5/8 NC X	
7	WR55158	8	WASHER-FLAT,10MM ID,	
8	WR55172	2	BOLT-CARRIAGE,M8 X 20,	
9	WR55205	6	SCREW-HEX FLG,M8X1.25X16 CL8.8	
10	WR55272	12	NUT-LOCK,M10 X 1.5,PREV	
11	WR55354	2	NUT-TOPLOCK, 1/2-13UNC G8	
12	WR55355	2	NUT-TOPLOCK,5/8-11UNC G8	
13	WR55372	8	NUT-LOCK FLANGE, 1/2-13NC	
14	WR121581	2	BOLT HHD M16-2.0X40MM 10.9	
15	WR121622	1	SPRING, ASSY	
16	WR515180	2	WASHER 0.62 FL ZN REG G8	
17	WR520885	4	NUT-.38-16,G5,ZN,FLG,H	
18	WR522718	2	NUT-. 75-10,G8,ZN,H	
19	WR550191	4	WASHER LK 0.37 ZN REG	
20	WR550310	2	WASHER 0.62 FL ZN REG TYPE-B	
21	WR550655	2	BOLT 0.50-13NCX 1.00 G5 ZN HHD	
22	WR550825	4	NUT 0.37-16NC HEX ZN REG	
23	WR551015	8	WASHER 0.31 FL ZN REG TYPE-B	
24	WR551856	2	WASHER1.00FL ZN SAE TYPE-A	
25	WR553689	4	BOLT 0.75-10NCX 3.00 G5 ZN HHD	
26	WR561892	6	FITTING LUBE STR 0.25UNF	
27	WR562799	4	NUT HEX M16 X 2.00	
28	WR606258	2	WASHER 1.75ODX0.93ID G8 ZN	
29	WR731972	6	GROMMET	
30	6519752	1	SOCKET	
31	6530360	4	BUMPER-RUBBER	
32	6533975	1	GROMMET	
33	6538287	4	RING-SNAP	
34	6617585	1	TUBE-BOOM,CNTR	
35	6617765	2	BRACKET-W/A	
36	6617780	2	SUPPORT	
37	6618227	2	PIN-CLEVIS	
38	6618836	4	PIN-W/A	
39	6618840	2	PIVOT-W/A	
40	6618841	2	PIVOT WLDMT-BOOM CUSHION	
41	6620133	4	U-BOLT SQUARE,1/2 NC	
42	6623263	2	SHOCK ABSORBER-BOOM	
43	6624680	2	MOUNT-WLDMT,SHOCK	
44	6624692	4	SLEEVE	
45	6626119	2	U-BOLT	
46	6626929	1	BRACKET	
47	6659910	2	CAP	
48	6802250	1	BOOM-CENTER FRAME,W/A	
49	6802711	2	PIN-CLEVIS	
50	6802789	1	LEVER-W/A,RH	
51	6802790	1	LEVER-W/A,LH	
52	6803869	2	SPACER	
53	6804076	2	BOLT-SUSPENSION	
54	WR37580	2	PIN-SPRING PIVOT	
55	WR37895	1	COVER-ELECTRICAL	

WR37810 - REAR "H" FRAME GROUP



WR37810 - REAR "H" FRAME GROUP

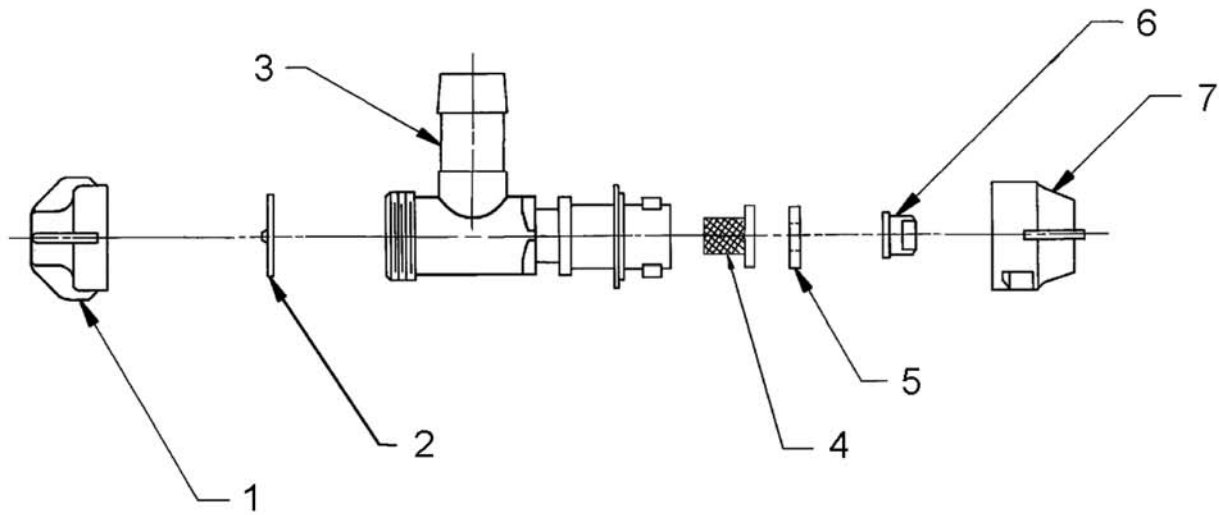
ITEM	PART #	QTY	DESCRIPTION	COMMENTS
0	WR50814	2	SCREW-CAP HEX 5/8 NC X	
1	WR029298	8	BOLT M10-1.50X 35MM G8.8 ZN HH	
2	WR32254	2	NUT-TOPLOCK,M8-1.25	
3	WR35152	4	NUT-TOPLOCK3/4-10UNC G8 "ADAM"	
4	WR55068	2	SCREW-CAP HEX M16 X 150	
5	WR55083	4	PIN-COTTER,3/16 X 1 1/2	
6	WR55153	2	SCREW-CAP HEX 5/8 NC X	
7	WR55158	8	WASHER-FLAT,10MM ID,	
8	WR55172	2	BOLT-CARRIAGE,M8 X 20,	
9	WR55205	6	SCREW-HEX FLG,M8X1.25X16 CL8.8	
10	WR55272	12	NUT-LOCK,M10 X 1.5,PREV	
11	WR55354	2	NUT-TOPLOCK, 1/2-13UNC G8	
12	WR55355	2	NUT-TOPLOCK,5/8-11UNC G8	
13	WR55372	8	NUT-LOCK FLANGE, 1/2-13NC	
14	WR121581	2	BOLT HHD M16-2.0X40MM 10.9	
15	WR121622	1	SPRING, ASSY	
16	WR515180	2	WASHER 0.62 FL ZN REG G8	
17	WR520885	4	NUT-.38-16,G5,ZN,FLG,H	
18	WR522718	2	NUT-. 75-10,G8,ZN,H	
19	WR550191	4	WASHER LK 0.37 ZN REG	
20	WR550310	2	WASHER 0.62 FL ZN REG TYPE-B	
21	WR550655	2	BOLT 0.50-13NCX 1.00 G5 ZN HHD	
22	WR550825	4	NUT 0.37-16NC HEX ZN REG	
23	WR551015	8	WASHER 0.31 FL ZN REG TYPE-B	
24	WR551856	2	WASHER1.00FL ZN SAE TYPE-A	
25	WR553689	4	BOLT 0.75-10NCX 3.00 G5 ZN HHD	
26	WR561892	6	FITTING LUBE STR 0.25UNF	
27	WR562799	4	NUT HEX M16 X 2.00	
28	WR606258	2	WASHER 1.75ODX0.93ID G8 ZN	
29	WR731972	6	GROMMET	
30	6519752	1	SOCKET	
31	6530360	4	BUMPER-RUBBER	
32	6533975	1	GROMMET	
33	6538287	4	RING-SNAP	
34	6617585	1	TUBE-BOOM,CNTR	
35	6617765	2	BRACKET-W/A	
36	6617780	2	SUPPORT	
37	6618227	2	PIN-CLEVIS	
38	6618836	4	PIN-W/A	
39	6618840	2	PIVOT-W/A	
40	6618841	2	PIVOT WLDMT-BOOM CUSHION	
41	6620133	4	U-BOLT SQUARE,1/2 NC	
42	6623263	2	SHOCK ABSORBER-BOOM	
43	6624680	2	MOUNT-WLDMT,SHOCK	
44	6624692	4	SLEEVE	
45	6626119	2	U-BOLT	
46	6626929	1	BRACKET	
47	6659910	2	CAP	
48	6802250	1	BOOM-CENTER FRAME,W/A	
49	6802711	2	PIN-CLEVIS	
50	6802789	1	LEVER-W/A,RH	
51	6802790	1	LEVER-W/A,LH	
52	6803869	2	SPACER	
53	6804076	2	BOLT-SUSPENSION	
54	WR37580	2	PIN-SPRING PIVOT	
55	WR37895	1	COVER-ELECTRICAL	



WR37482 - VALVE-RELIEF;ASSY BOOM

ITEM	PART #	QTY	DESCRIPTION	COMMENTS
0	WR27671	3	SEAL KIT-HYDRA FRC,	
1	WR515850	1	CONNECTOR ELEC SHROUD 2-CONT F	
2	WR515762	2	TERM MA 16-14 GA W/PACK	
3	WR515765	2	SEAL CABLE GREY REEL 14 GA	
4	WR26404	1	COIL-12VDC,HF6302012	
5	WR38768	1	VALVE-CARTRIDGE,CHECK-08	
6	WR38769	6	VALVE-CARTRIDGE,RELEIF-10	
7	WR38764	1	VALVE-CARTRIDGE,-08	

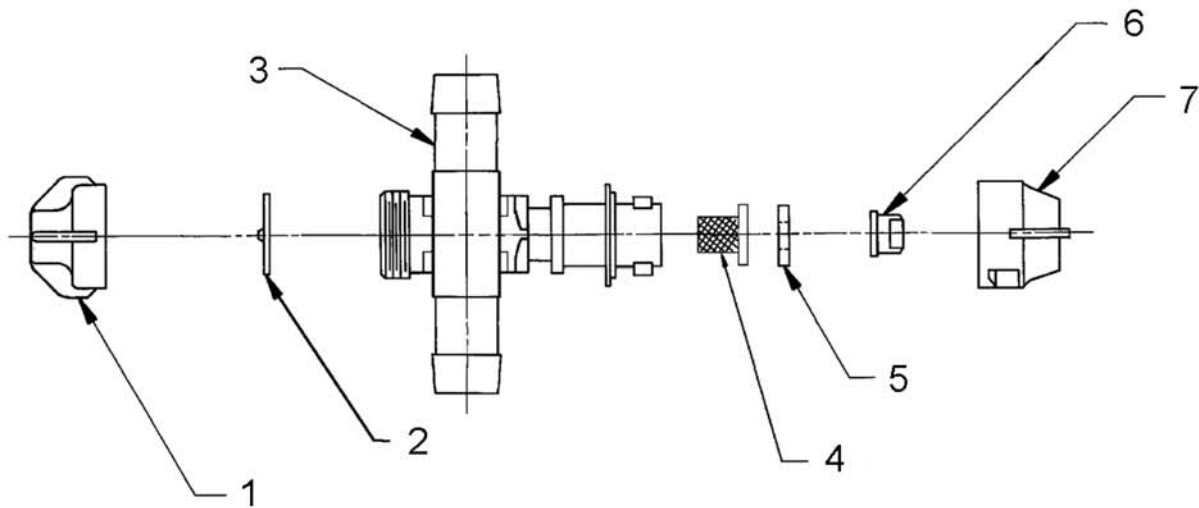
6596508 - NOZZLE ASSY-SINGLE



6596508 - NOZZLE ASSY-SINGLE

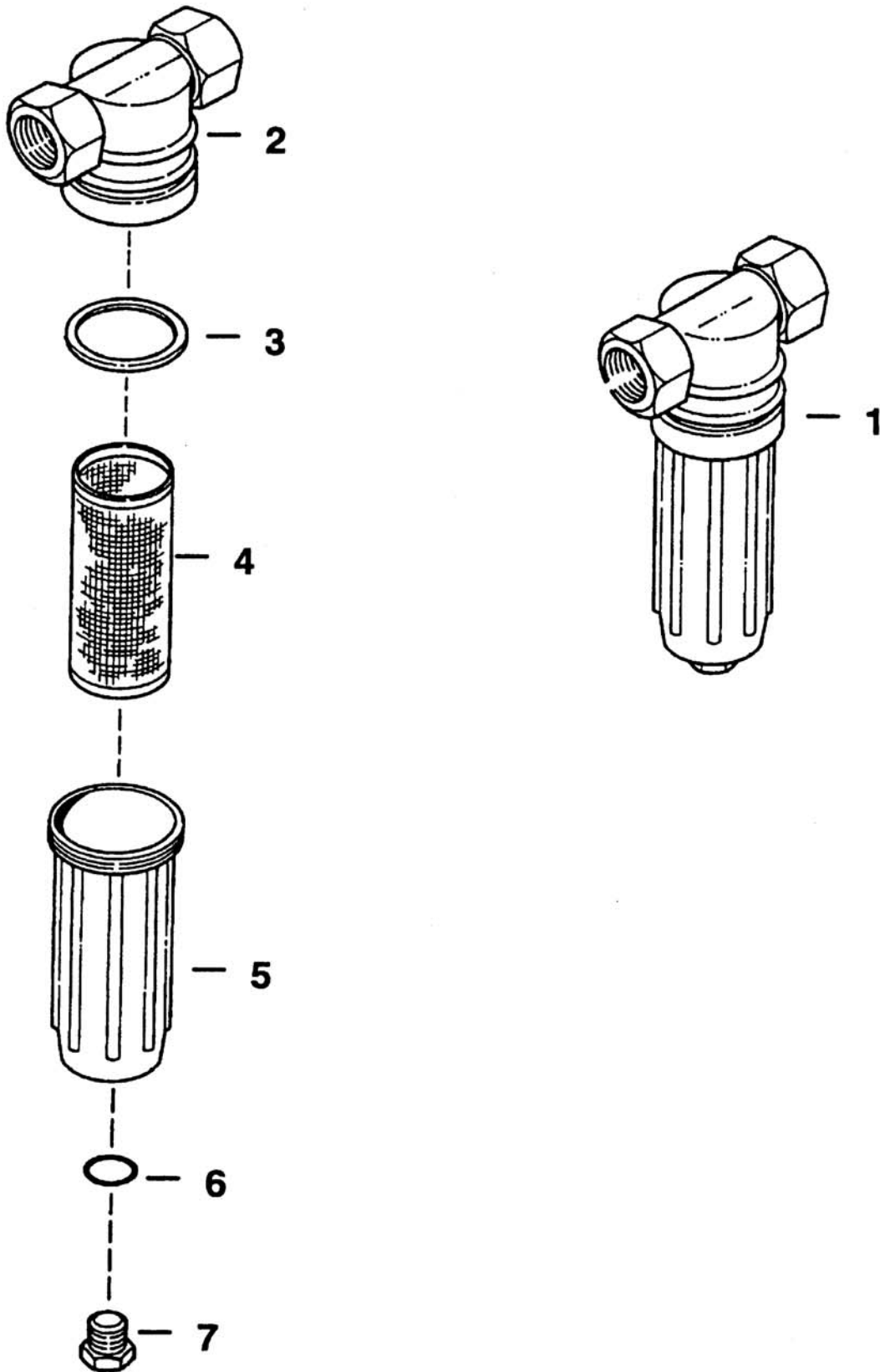
ITEM	PART #	QTY	DESCRIPTION	COMMENTS
1	6633637	-	ENDCAP	
2	6649520	-	DIAPHRAGM-VITON	
3	6660072	-	NOZZLE-HSG,SINGLE	
4	6597781	-	SCREEN-50 MESH	
5	6649521	-	GASKET-VITRON	
6	6665919	-	TIP-POLYMER	
7	6659609	-	CAP	

6596509 - NOZZLE ASSY-DOUBLE



6596509 - NOZZLE ASSY-DOUBLE

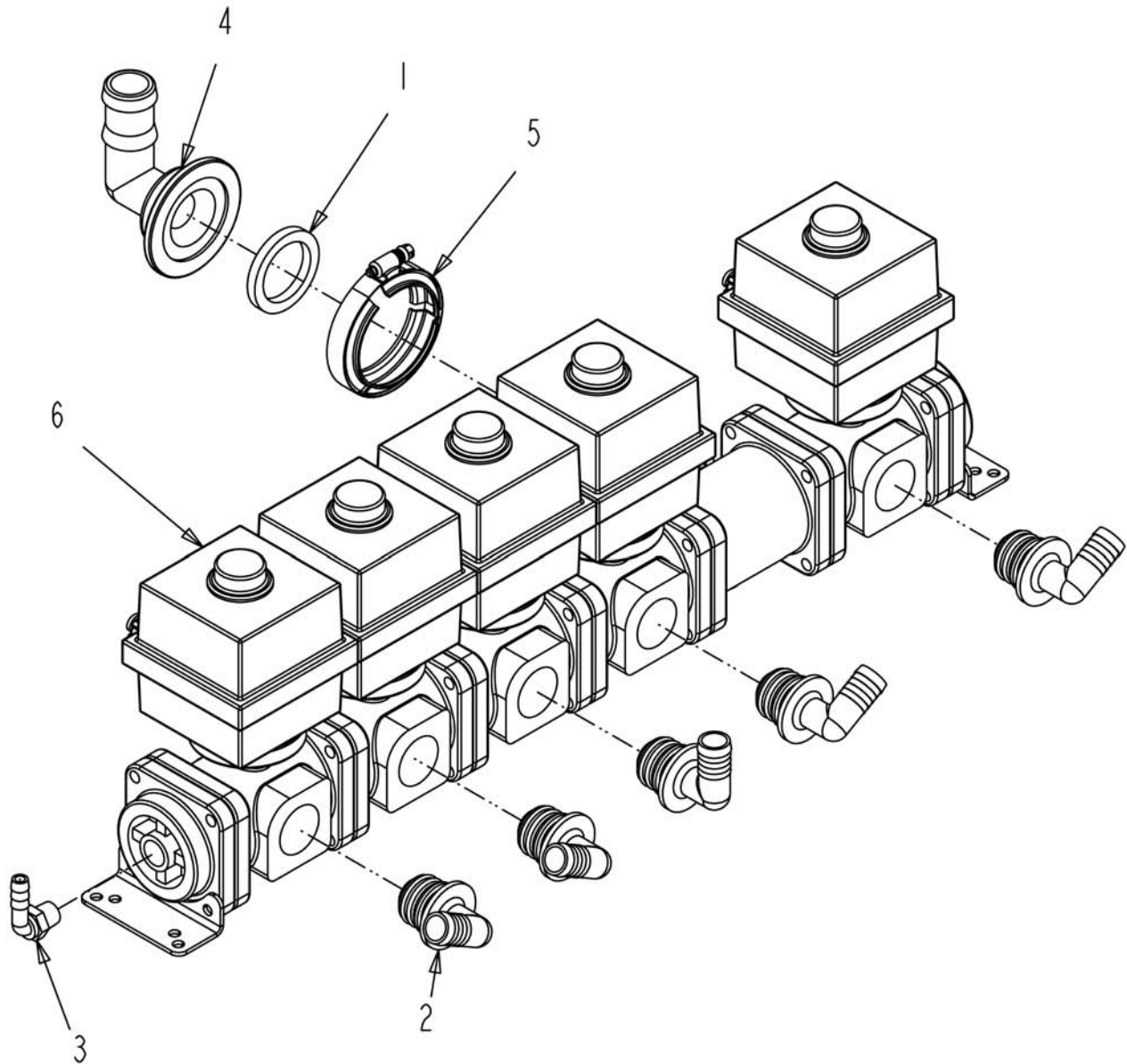
ITEM	PART #	QTY	DESCRIPTION	COMMENTS
1	6633637	-	ENDCAP	
2	6649520	-	DIAPHRAGM-VITON	
3	6660071	-	NOZZLE-HSG,DOUBLE	
4	6597781	-	SCREEN-50 MESH	
5	6649521	-	GASKET-VITRON	
6	6665919	-	TIP-POLYMER	
7	6659609	-	CAP	



6665873 - FILTER ASSY-BOOM

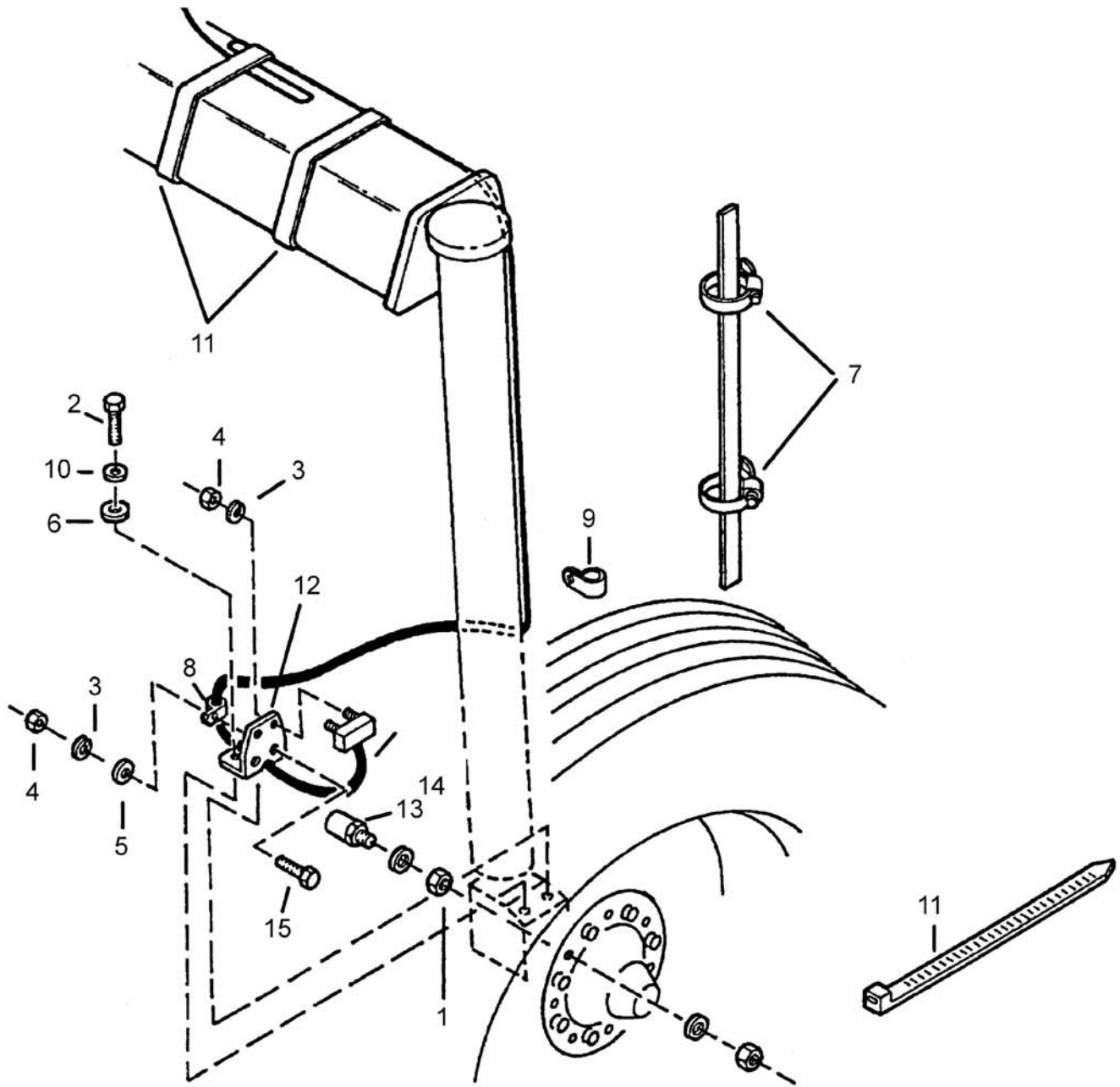
ITEM	PART #	QTY	DESCRIPTION	COMMENTS
2	6666844	1	HEAD	
3	6666845	1	GASKET	
4	6666846	1	SCREEN 50 MESH	
4	6667717	1	SCREEN 80 MESH	
5	6666847	1	BOWL	
6	6666848	1	O-RING	
7	6666849	1	PLUG	

WR55861 - VALVE ASSY-BOOM SHUT OFF,



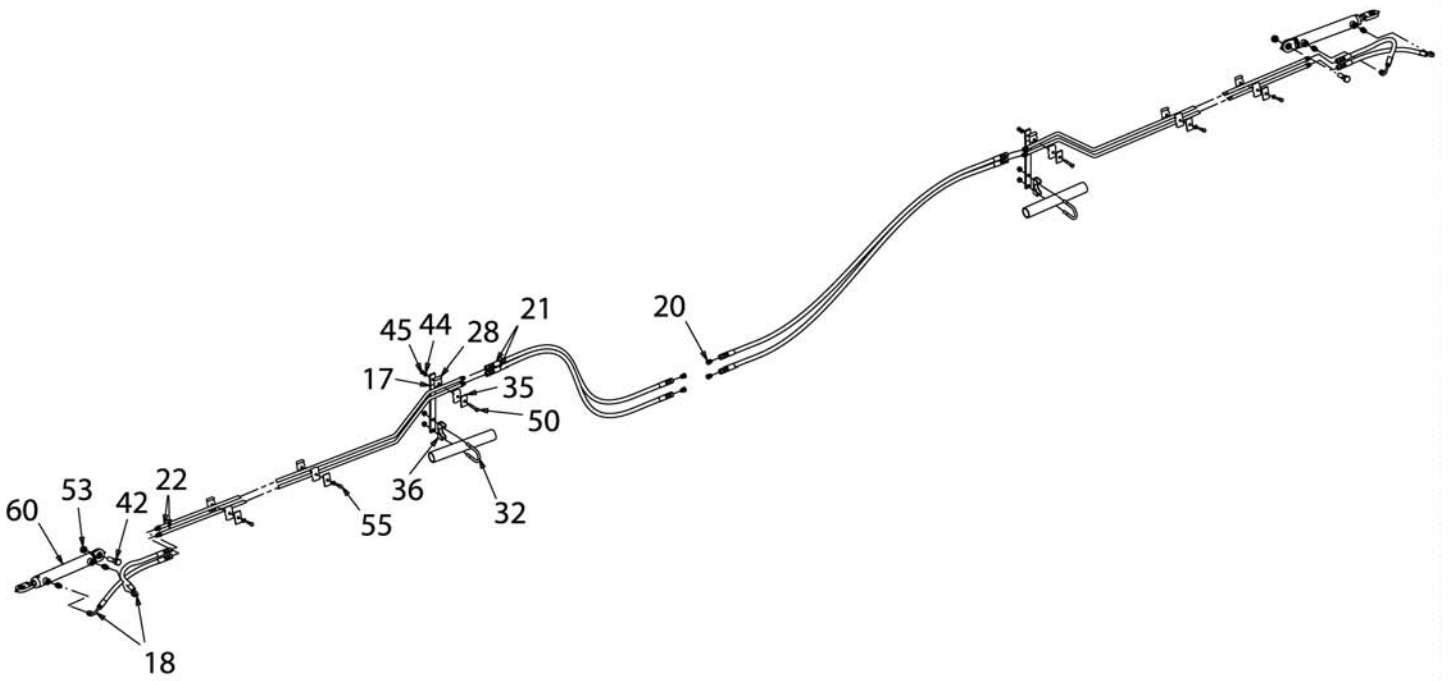
WR55861 - VALVE ASSY-BOOM SHUT OFF,

ITEM	PART #	QTY	DESCRIPTION	COMMENTS
1	WR009979	1	GASKET VITON	
2	WR34501	5	ELBOW-90,-12HB	
3	WR051137	1	ELBOW 90D 0.38NPTX0.38BARB PP	
4	WR056290	1	CONNECTOR 2.00FLGX1.25HOSE 90D	
5	WR056785	1	CLAMP 2.00 FLANGE	
6	WR55856	1	VALVE ASSY-KZ, 5 SECTION,	SEE PAGE 5-13



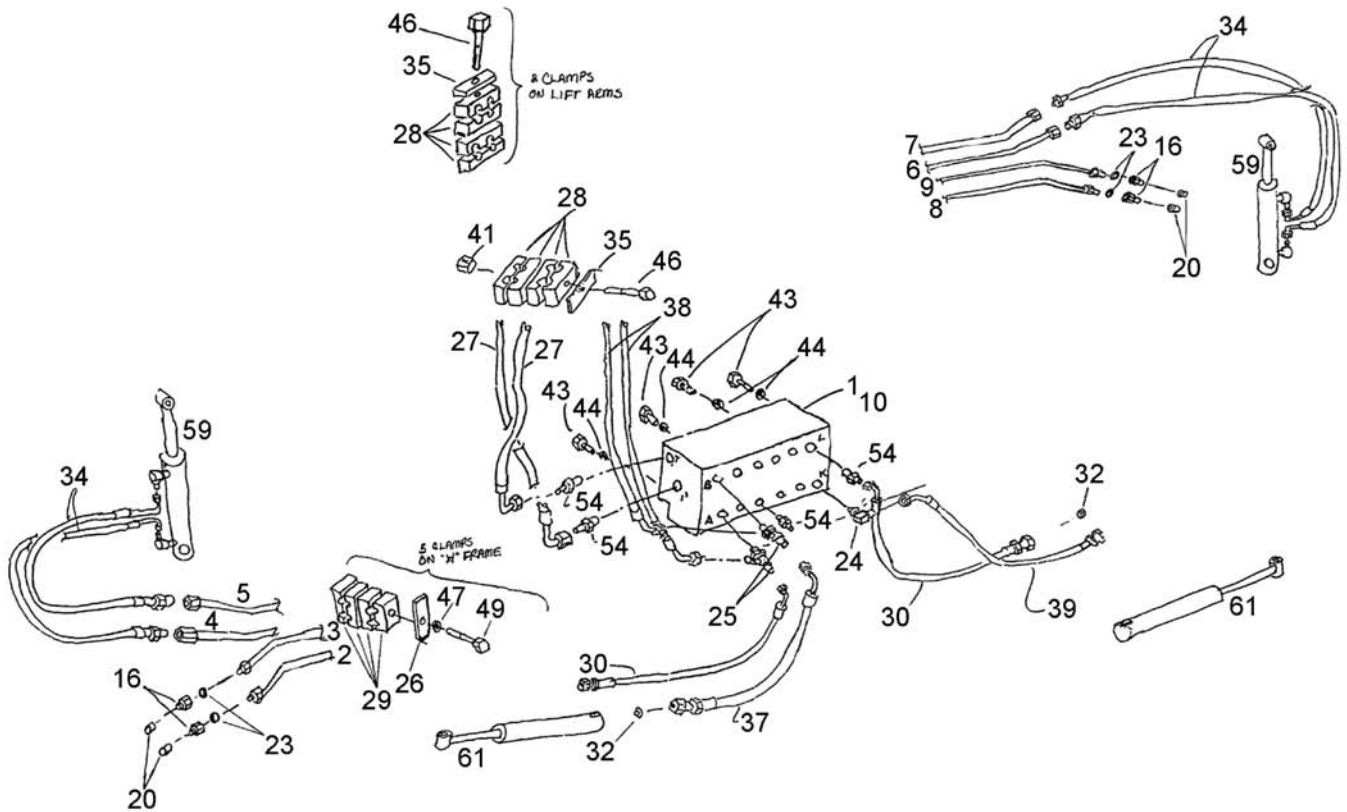
6662704 - `KG-3600WF RAVEN MNT

ITEM	PART #	QTY	DESCRIPTION	COMMENTS
0	6626923	-	SHIELD-CABLE	
1	WR550264	-	WASHER 0.50 LK ZN REG	
2	WR55036	-	SCREW-CAP HEX M8 X 25	
3	WR550493	1	WASHER LK 0.25 ZN REG	
4	WR550612	1	NUT 0.25-20NC HEX ZN REG	
5	WR550671	1	WASHER-.25,FL,ZN,TYPE-A(N	
6	WR55157	-	WASHER-FLAT,8MM ID,	
7	WR55298	-	CLAMP-HOSE,4 1/2 SST	
8	WR55408	-	CLAMP-SUPPORT CUSHION,	
9	WR55409	-	CLAMP-SUPPORT CUSHION,	
10	WR561679	-	WASHER LOCK M8 ZN	
11	WR562496	2	TIE CABLE 15.0 .18-4.00 BLACK	
12	6627046	-	BRACKET	
13	6662702	-	MAGNET ASSY-RED	
14	6662703	-	MAGNET ASSY-BLACK	
15	WR55000	1	SCREW-CAP HEX 1/4 NC X	



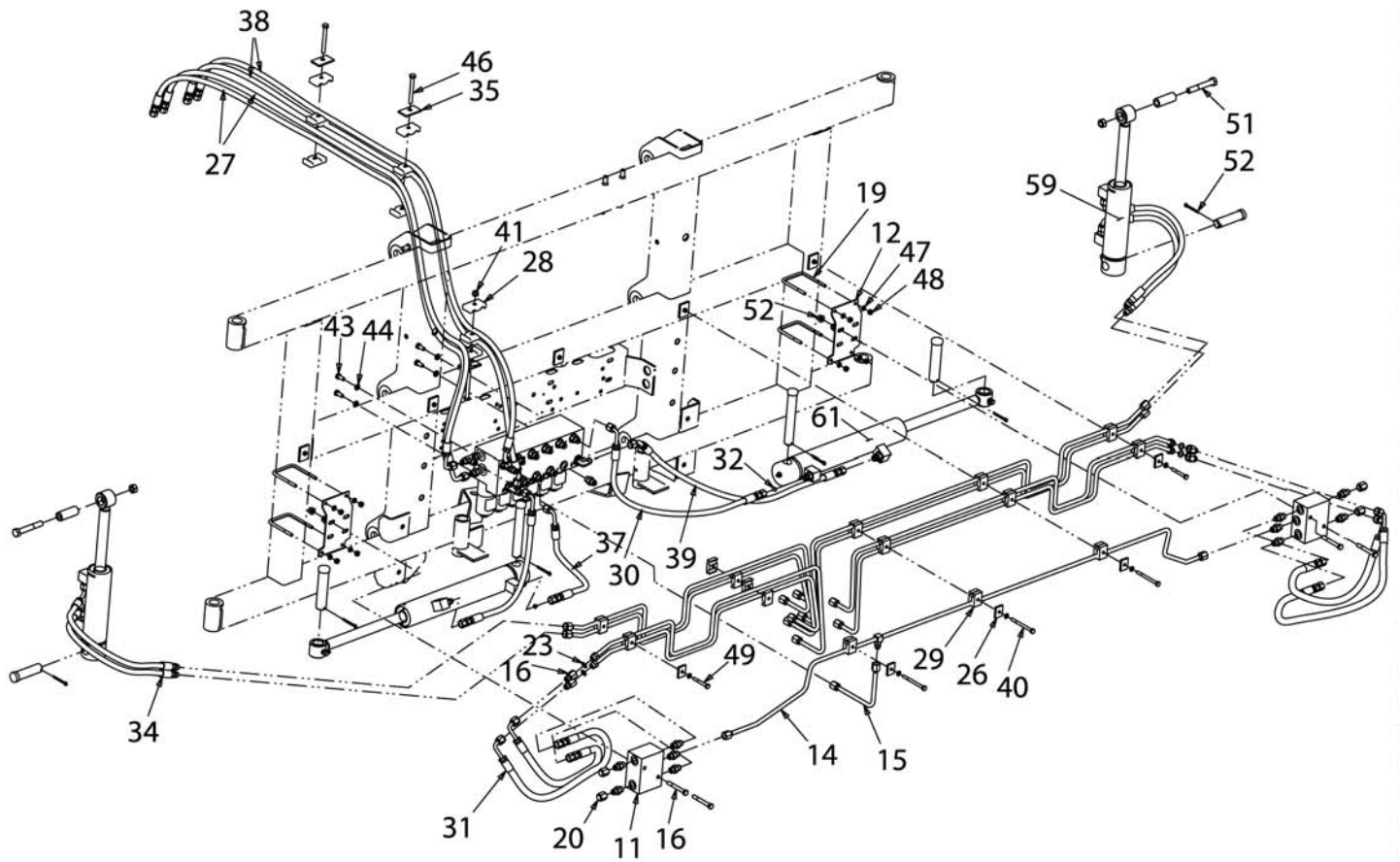
WR37479 - HYD GROUP-HYD FOLD

ITEM	PART #	QTY	DESCRIPTION	COMMENTS
0	WR129450	2	CYLINDER-HYD,2.00X8.44X1.00	SEE PAGE 3-15
1	WR37388	1	VALVE ASSY-6 SPOOL	SEE PAGE 3-13
2	WR37389	1	TUBE ASSY-CENTER HYD,ESP	
3	WR37390	1	TUBE ASSY-CENTER HYD,ESP	
4	WR37391	1	TUBE ASSY-CENTER HYD	
5	WR37392	1	TUBE ASSY-CENTER HYD	
6	WR37393	1	TUBE ASSY-CENTER HYD	
7	WR37394	1	TUBE ASSY-CENTER HYD	
8	WR37395	1	TUBE ASSY-CENTER HYD, ESP	
9	WR37396	1	TUBE ASSY-CENTER HYD, ESP	
10	WR37481	1	KIT-CARTRIDGE FOR WR37388	
11	WR37482	2	VALVE-RELIEF;ASSY BOOM	SEE PAGE 5-15
12	WR37774	2	MOUNT-RELIEF VALVE	
13	WR37790	2	WIRE HARNESS-RELIEF VALVE	
14	WR37820	1	TUBE ASSY-RELIEF VALVE,	
15	WR37821	1	TUBE ASSY-VALVE RETURN	
16	WR37846	4	ORIFICE-06FB-06MJ W/.20	
17	WR37855	2	BRACE-TUBE SUPPORT	
18	WR40884	4	HOSE-06FJX-06FJX90-06R17X	
19	WR55582	4	U-BOLT,DRAWBAR	
20	WR708307	8	NUT CAP 0.37 FJIC	
21	WR25441	4	HOSE-06FJX(2)-06R1X032	
22	WR27966	4	TUBE ASSY-BOOM FOLD,90'	
23	WR28265	4	O-RING FOR -06 MB	
24	WR562401	1	ELBOW -6MB90X-6MJ	
25	WR519123	3	TEE-RUN,STR THD -6	
26	6535422	5	WASHER-CLAMP	
27	6537283	2	HOSE-06FJX-06FJX90-04R1	
28	6577696	32	CLAMP-TUBELINE	
29	6578870	23	TUBELINE-CLAMP "RECEIVE AS 1/2	
30	6587032	2	HOSE-06FJX-06FJX90-04R1	
31	6618193	4	HOSE-ASSY	
33	6626119	2	U-BOLT	
34	6626580	4	HOSE-06FJX90-06MJ-04R1	
35	6652521	13	COVER-PLATE	
36	6660351	2	CLAMP-SADDLE	
37	6700024	1	HOSE-06FJX-06FX90-04R1	
38	6801494	2	HOSE-06FJX-06FJX45-04R1	
39	6801495	1	HOSE-06FJX-06FJX45-04R1	
40	WR22409	3	SCREW-CAP HEX 1/4 NC X 3	
41	WR32254	2	NUT-TOPLOCK,M8-1.25	
42	WR35195	2	SCREW-CAP HEX 5/8 NC X	
43	WR550183	4	BOLT 0.31-18NCX 0.75 G5 ZN HHD	
44	WR550205	14	WASHER LK 0.31 ZN REG	
45	WR550213	2	NUT 0.31-18NC HEX ZN REG	
46	WR55043	1	SCREW-CAP HEX M8 X 75	
47	WR550493	13	WASHER LK 0.25 ZN REG	
48	WR550612	8	NUT 0.25-20NC HEX ZN REG	
49	WR551279	2	BOLT.25-20NCX 2G5 ZN HHD	
50	WR552275	2	BOLT 0.31-18NCX 2.00 G5 ZN HHD	
51	WR553212	2	BOLT 0.50-13NCX 3.25 G5 ZN HHD	
52	WR55352	4	NUT-TOPLOCK,5/16-18UNC G8	
53	WR55355	2	NUT-TOPLOCK,5/8-11UNC G8	
54	WR560693	24	ADAP STR 0.37MO-R X 0.37MJIC	
55	WR559105	8	BOLT 0.31-18NCX 1.25 G5 ZN HHD	
56	WR561384	4	BOLT 0.31-18NCX 2.50 G5 ZN HHD	
57	WR561629	1	ELBOW -6FJS90X -6MJ	
58	6618227	2	PIN-CLEVIS	
59	WR122415	2	CYLINDER-HYD,2.00X4.00X1.00	SEE PAGE 3-14
60	WR122409	2	CYLINDER-HYD,1.50X8.38X.75	SEE PAGE 3-17



WR37479 - HYD GROUP-HYD FOLD

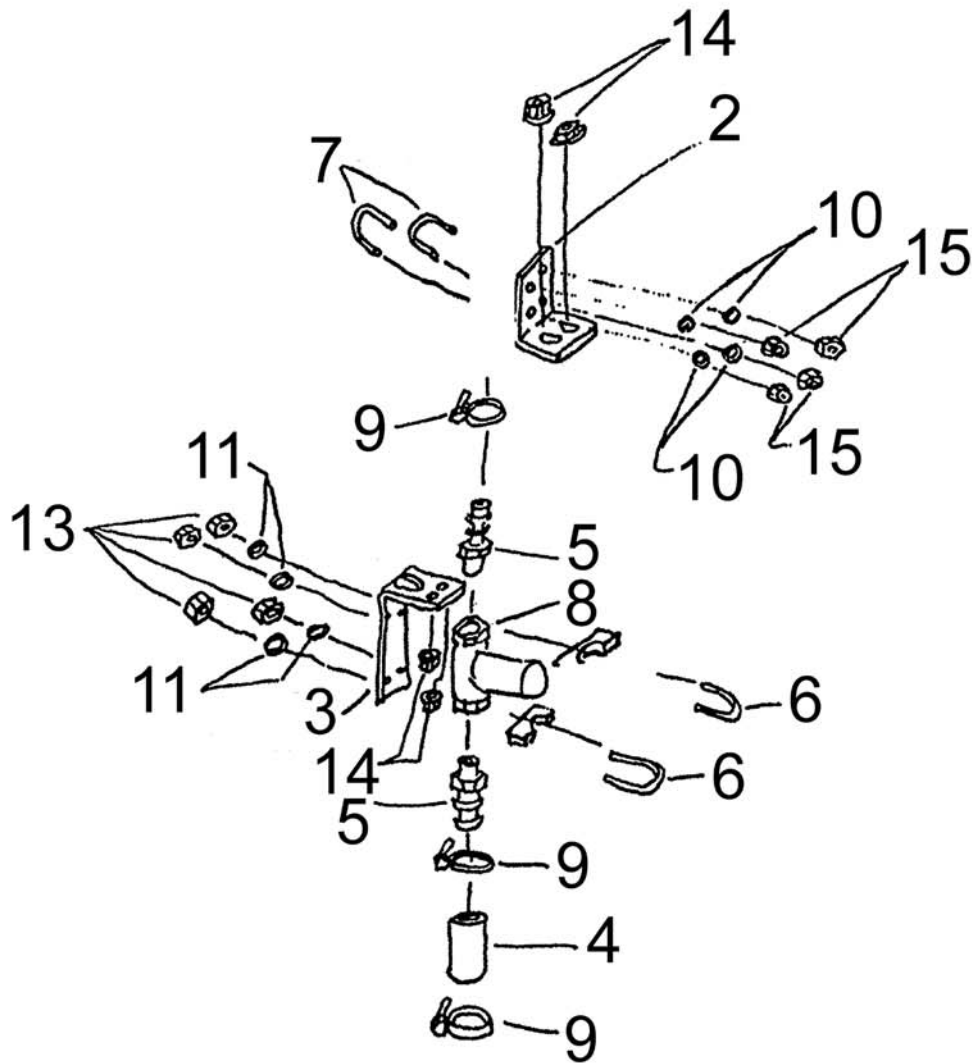
ITEM	PART #	QTY	DESCRIPTION	COMMENTS
0	WR129450	2	CYLINDER-HYD,2.00X8.44X1.00	SEE PAGE 3-15
1	WR37388	1	VALVE ASSY-6 SPOOL	SEE PAGE 3-13
2	WR37389	1	TUBE ASSY-CENTER HYD,ESP	
3	WR37390	1	TUBE ASSY-CENTER HYD,ESP	
4	WR37391	1	TUBE ASSY-CENTER HYD	
5	WR37392	1	TUBE ASSY-CENTER HYD	
6	WR37393	1	TUBE ASSY-CENTER HYD	
7	WR37394	1	TUBE ASSY-CENTER HYD	
8	WR37395	1	TUBE ASSY-CENTER HYD, ESP	
9	WR37396	1	TUBE ASSY-CENTER HYD, ESP	
10	WR37481	1	KIT-CARTRIDGE FOR WR37388	
11	WR37482	2	VALVE-RELIEF;ASSY BOOM	SEE PAGE 5-15
12	WR37774	2	MOUNT-RELIEF VALVE	
13	WR37790	2	WIRE HARNESS-RELIEF VALVE	
14	WR37820	1	TUBE ASSY-RELIEF VALVE,	
15	WR37821	1	TUBE ASSY-VALVE RETURN	
16	WR37846	4	ORIFICE-06FB-06MJ W/.20	
17	WR37855	2	BRACE-TUBE SUPPORT	
18	WR40884	4	HOSE-06FJX-06FJX90-06R17X	
19	WR55582	4	U-BOLT,DRAWBAR	
20	WR708307	8	NUT CAP 0.37 FJIC	
21	WR25441	4	HOSE-06FJX(2)-06R1X032	
22	WR27966	4	TUBE ASSY-BOOM FOLD,90'	
23	WR28265	4	O-RING FOR -06 MB	
24	WR562401	1	ELBOW -6MB90X-6MJ	
25	WR519123	3	TEE-RUN,STR THD -6	
26	6535422	5	WASHER-CLAMP	
27	6537283	2	HOSE-06FJX-06FJX90-04R1	
28	6577696	32	CLAMP-TUBELINE	
29	6578870	23	TUBELINE-CLAMP "RECEIVE AS 1/2	
30	6587032	2	HOSE-06FJX-06FJX90-04R1	
31	6618193	4	HOSE-ASSY	
33	6626119	2	U-BOLT	
34	6626580	4	HOSE-06FJX90-06MJ-04R1	
35	6652521	13	COVER-PLATE	
36	6660351	2	CLAMP-SADDLE	
37	6700024	1	HOSE-06FJX-06FX90-04R1	
38	6801494	2	HOSE-06FJX-06FJX45-04R1	
39	6801495	1	HOSE-06FJX-06FJX45-04R1	
40	WR22409	3	SCREW-CAP HEX 1/4 NC X 3	
41	WR32254	2	NUT-TOPLOCK,M8-1.25	
42	WR35195	2	SCREW-CAP HEX 5/8 NC X	
43	WR550183	4	BOLT 0.31-18NCX 0.75 G5 ZN HHD	
44	WR550205	14	WASHER LK 0.31 ZN REG	
45	WR550213	2	NUT 0.31-18NC HEX ZN REG	
46	WR55043	1	SCREW-CAP HEX M8 X 75	
47	WR550493	13	WASHER LK 0.25 ZN REG	
48	WR550612	8	NUT 0.25-20NC HEX ZN REG	
49	WR551279	2	BOLT.25-20NCX 2G5 ZN HHD	
50	WR552275	2	BOLT 0.31-18NCX 2.00 G5 ZN HHD	
51	WR553212	2	BOLT 0.50-13NCX 3.25 G5 ZN HHD	
52	WR55352	4	NUT-TOPLOCK,5/16-18UNC G8	
53	WR55355	2	NUT-TOPLOCK,5/8-11UNC G8	
54	WR560693	24	ADAP STR 0.37MO-R X 0.37MJIC	
55	WR559105	8	BOLT 0.31-18NCX 1.25 G5 ZN HHD	
56	WR561384	4	BOLT 0.31-18NCX 2.50 G5 ZN HHD	
57	WR561629	1	ELBOW -6FJS90X -6MJ	
58	6618227	2	PIN-CLEVIS	
59	WR122415	2	CYLINDER-HYD,2.00X4.00X1.00	SEE PAGE 3-14
60	WR122409	2	CYLINDER-HYD,1.50X8.38X.75	SEE PAGE 3-17



WR37479 - HYD GROUP-HYD FOLD

ITEM	PART #	QTY	DESCRIPTION	COMMENTS
0	WR129450	2	CYLINDER-HYD,2.00X8.44X1.00	SEE PAGE 3-15
1	WR37388	1	VALVE ASSY-6 SPOOL	SEE PAGE 3-13
2	WR37389	1	TUBE ASSY-CENTER HYD,ESP	
3	WR37390	1	TUBE ASSY-CENTER HYD,ESP	
4	WR37391	1	TUBE ASSY-CENTER HYD	
5	WR37392	1	TUBE ASSY-CENTER HYD	
6	WR37393	1	TUBE ASSY-CENTER HYD	
7	WR37394	1	TUBE ASSY-CENTER HYD	
8	WR37395	1	TUBE ASSY-CENTER HYD, ESP	
9	WR37396	1	TUBE ASSY-CENTER HYD, ESP	
10	WR37481	1	KIT-CARTRIDGE FOR WR37388	
11	WR37482	2	VALVE-RELIEF;ASSY BOOM	SEE PAGE 5-15
12	WR37774	2	MOUNT-RELIEF VALVE	
13	WR37790	2	WIRE HARNESS-RELIEF VALVE	
14	WR37820	1	TUBE ASSY-RELIEF VALVE,	
15	WR37821	1	TUBE ASSY-VALVE RETURN	
16	WR37846	4	ORIFICE-06FB-06MJ W/.20	
17	WR37855	2	BRACE-TUBE SUPPORT	
18	WR40884	4	HOSE-06FJX-06FJX90-06R17X	
19	WR55582	4	U-BOLT,DRAWBAR	
20	WR708307	8	NUT CAP 0.37 FJIC	
21	WR25441	4	HOSE-06FJX(2)-06R1X032	
22	WR27966	4	TUBE ASSY-BOOM FOLD,90'	
23	WR28265	4	O-RING FOR -06 MB	
24	WR562401	1	ELBOW -6MB90X-6MJ	
25	WR519123	3	TEE-RUN,STR THD -6	
26	6535422	5	WASHER-CLAMP	
27	6537283	2	HOSE-06FJX-06FJX90-04R1	
28	6577696	32	CLAMP-TUBELINE	
29	6578870	23	TUBELINE-CLAMP "RECEIVE AS 1/2	
30	6587032	2	HOSE-06FJX-06FJX90-04R1	
31	6618193	4	HOSE-ASSY	
33	6626119	2	U-BOLT	
34	6626580	4	HOSE-06FJX90-06MJ-04R1	
35	6652521	13	COVER-PLATE	
36	6660351	2	CLAMP-SADDLE	
37	6700024	1	HOSE-06FJX-06FX90-04R1	
38	6801494	2	HOSE-06FJX-06FJX45-04R1	
39	6801495	1	HOSE-06FJX-06FJX45-04R1	
40	WR22409	3	SCREW-CAP HEX 1/4 NC X 3	
41	WR32254	2	NUT-TOPLOCK,M8-1.25	
42	WR35195	2	SCREW-CAP HEX 5/8 NC X	
43	WR550183	4	BOLT 0.31-18NCX 0.75 G5 ZN HHD	
44	WR550205	14	WASHER LK 0.31 ZN REG	
45	WR550213	2	NUT 0.31-18NC HEX ZN REG	
46	WR55043	1	SCREW-CAP HEX M8 X 75	
47	WR550493	13	WASHER LK 0.25 ZN REG	
48	WR550612	8	NUT 0.25-20NC HEX ZN REG	
49	WR551279	2	BOLT.25-20NCX 2G5 ZN HHD	
50	WR552275	2	BOLT 0.31-18NCX 2.00 G5 ZN HHD	
51	WR553212	2	BOLT 0.50-13NCX 3.25 G5 ZN HHD	
52	WR55352	4	NUT-TOPLOCK,5/16-18UNC G8	
53	WR55355	2	NUT-TOPLOCK,5/8-11UNC G8	
54	WR560693	24	ADAP STR 0.37MO-R X 0.37MJIC	
55	WR559105	8	BOLT 0.31-18NCX 1.25 G5 ZN HHD	
56	WR561384	4	BOLT 0.31-18NCX 2.50 G5 ZN HHD	
57	WR561629	1	ELBOW -6FJS90X -6MJ	
58	6618227	2	PIN-CLEVIS	
59	WR122415	2	CYLINDER-HYD,2.00X4.00X1.00	SEE PAGE 3-14
60	WR122409	2	CYLINDER-HYD,1.50X8.38X.75	SEE PAGE 3-17

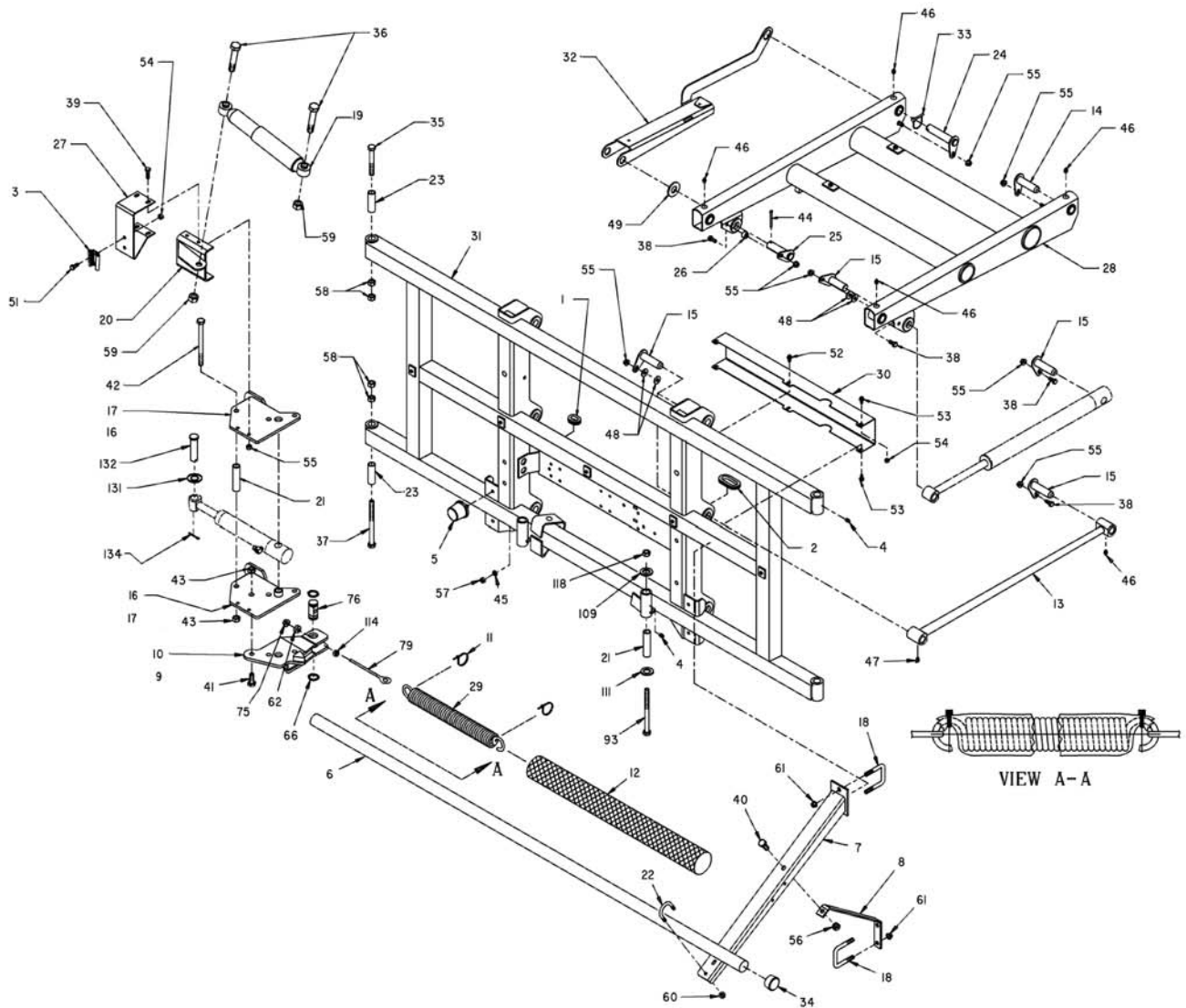
WR37502 - SPRAY SYSTEM ASSY-3 VALVE



WR37502 - SPRAY SYSTEM ASSY-3 VALVE

ITEM	PART #	QTY	DESCRIPTION	COMMENTS
1	WR55582	2	U-BOLT,DRAWBAR	
2	WR55859	1	MOUNT-HOSE	
3	WR55860	1	MOUNT-FLOW CONTROL VALVE	
4	WR55865	1	HOSE-NONE(2)-20XPLE X 089	
5	WR051183	2	BARB-HOSE,1.00MNPTX1.25BARB,PP	
6	WR657904	2	CLAMP-CIRCLE,FULL	
7	6626119	4	U-BOLT	
8	6632184	1	VALVE-PRESSURE,CONTROL	SEE PAGE 5-5
9	WR32739	4	CLAMP-HOSE,T BOLT,1 3/4	
10	WR550191	8	WASHER LK 0.37 ZN REG	
11	WR550493	8	WASHER LK 0.25 ZN REG	
12	WR550507	4	WASHER FL 0.25 ZN REG TYPE-B	
13	WR550612	8	NUT 0.25-20NC HEX ZN REG	
14	WR55301	4	NUT-FLANGE,M10 X 1.5,PREV	
15	WR601411	8	NUT 0.37-16NC HEX ZN REG LK NY	

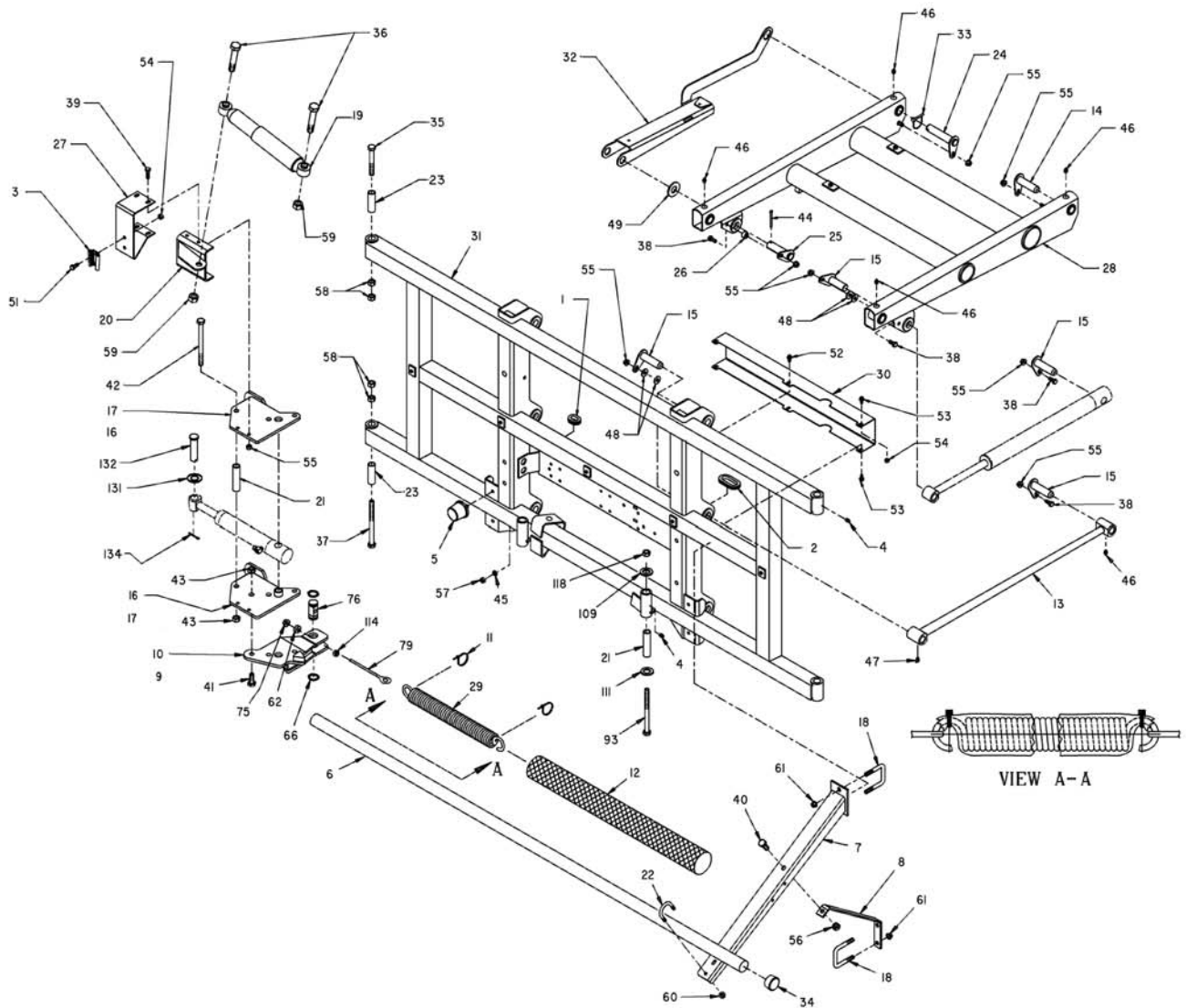
WR37518 - BOOM GROUP-60 FT HYD FOLD



WR37518 - BOOM GROUP-60 FT HYD FOLD

ITEM	PART #	QTY	DESCRIPTION	COMMENTS
0	WR37522	1	BOOM ASSY-RH,60' HYD	SEE PAGE 5-24
0	WR37523	1	BOOM ASSY-LH,60' HYD	SEE PAGE 5-28
0	WR37580	2	PIN-SPRING PIVOT	
0	WR37895	1	COVER-ELECTRICAL	
0	6804644	1	BAG-PARTS	SEE PAGE 4-18
0	6804076	2	BOLT-SUSPENSION	
0	6803869	2	SPACER	
0	WR121622	1	SPRING, ASSY	
0	6802165	-	INSTL-BOOM	
0	WR562375	2	BOLT M12-1.75X 25MM G8.8 ZN HH	
0	WR55255	6	SCREW-HEX FLG.,25NCX.625 GR5	
0	WR550477	12	NUT 0.62-11NC HEX ZN REG	
0	WR550124	8	NUT 0.50-13NC HEX ZN REG	
0	WR50851	6	NUT-SPEED,1/4-20	
1	WR731972	6	GROMMET	
2	6533975	1	GROMMET	
3	6519752	1	SOCKET	
5	6530360	4	BUMPER-RUBBER	
6	6617585	1	TUBE-BOOM,CNTR	
7	6617765	2	BRACKET-W/A	
8	6617780	2	SUPPORT	
9	6802790	1	LEVER-W/A,LH	
10	6802789	1	LEVER-W/A,RH	
11	WR562496	2	TIE CABLE 15.0 .18-4.00 BLACK	
12	6804189	1	SLEEVE-FABRIC	
13	6618833	1	LINK-W/A	
14	6618835	1	PIN-W/A	
15	6618836	9	PIN-W/A	
16	6618840	2	PIVOT-W/A	
17	6618841	2	PIVOT WLDMT-BOOM CUSHION	
18	6620133	4	U-BOLT SQUARE,1/2 NC	
19	6623263	2	SHOCK ABSORBER-BOOM	
20	6624680	2	MOUNT-WLDMT,SHOCK	
21	6624692	4	SLEEVE	
22	6626119	2	U-BOLT	
23	6800367	4	SLEEVE	
24	6626661	1	PIN-W/A	
25	6626663	1	PIN-W/A	
26	6626810	1	BUSHING	
27	6626929	1	BRACKET	
28	6626991	1	FRAME-BOOM LIFT,W/A	
29	6804052	1	SPRING ASSY	
30	6802444	1	COVER	
31	6802250	1	BOOM-CENTER FRAME,W/A	
32	6804303	1	CHANNEL-W/A	
33	6656009	1	PIN-SNAPPER	
34	6659910	2	CAP	
35	WR552046	2	BOLT.62-11NCX4.50G5 ZN HHD	
36	WR553689	2	BOLT 0.75-10NCX 3.00 G5 ZN HHD	
37	WR50814	2	SCREW-CAP HEX 5/8 NC X	
38	WR561683	5	BOLT M10-1.5 X 25MM G8.8 ZN HH	
39	WR029298	8	BOLT M10-1.50X 35MM G8.8 ZN HH	
40	WR29124	2	R/B 562375	
41	WR55058	2	SCREW-CAP HEX M16 X 40	
42	WR55068	2	SCREW-CAP HEX M16 X 150	
43	WR562799	4	NUT HEX M16 X 2.00	
44	WR35925	1	PIN-COTTER,1/4 X 2.00	
45	WR550191	4	WASHER LK 0.37 ZN REG	
46	WR550280	6	FITTING LUB.12-27NPTFX0.68	
47	WR562551	2	ZERK 45D 0.125 NPT	
48	WR55158	4	WASHER-FLAT,10MM ID,	
49	WR55079	1	WASHER-PLAIN,24MM ID,LC,	
50	WR551015	8	WASHER 0.31 FL ZN REG TYPE-B	
51	WR55172	2	BOLT-CARRIAGE,M8 X 20,	
52	WR55204	2	SCREW-HEX FLG,M8X1.25X12 CL8.8	
53	WR55205	4	SCREW-HEX FLG,M8X1.25X16 CL8.8	
54	WR32254	8	NUT-TOPLOCK,M8-1.25	
55	WR55272	8	NUT-LOCK,M10 X 1.5,PREV	
56	WR55273	2	NUT-LOCK,M12 X 1.5,PREV	

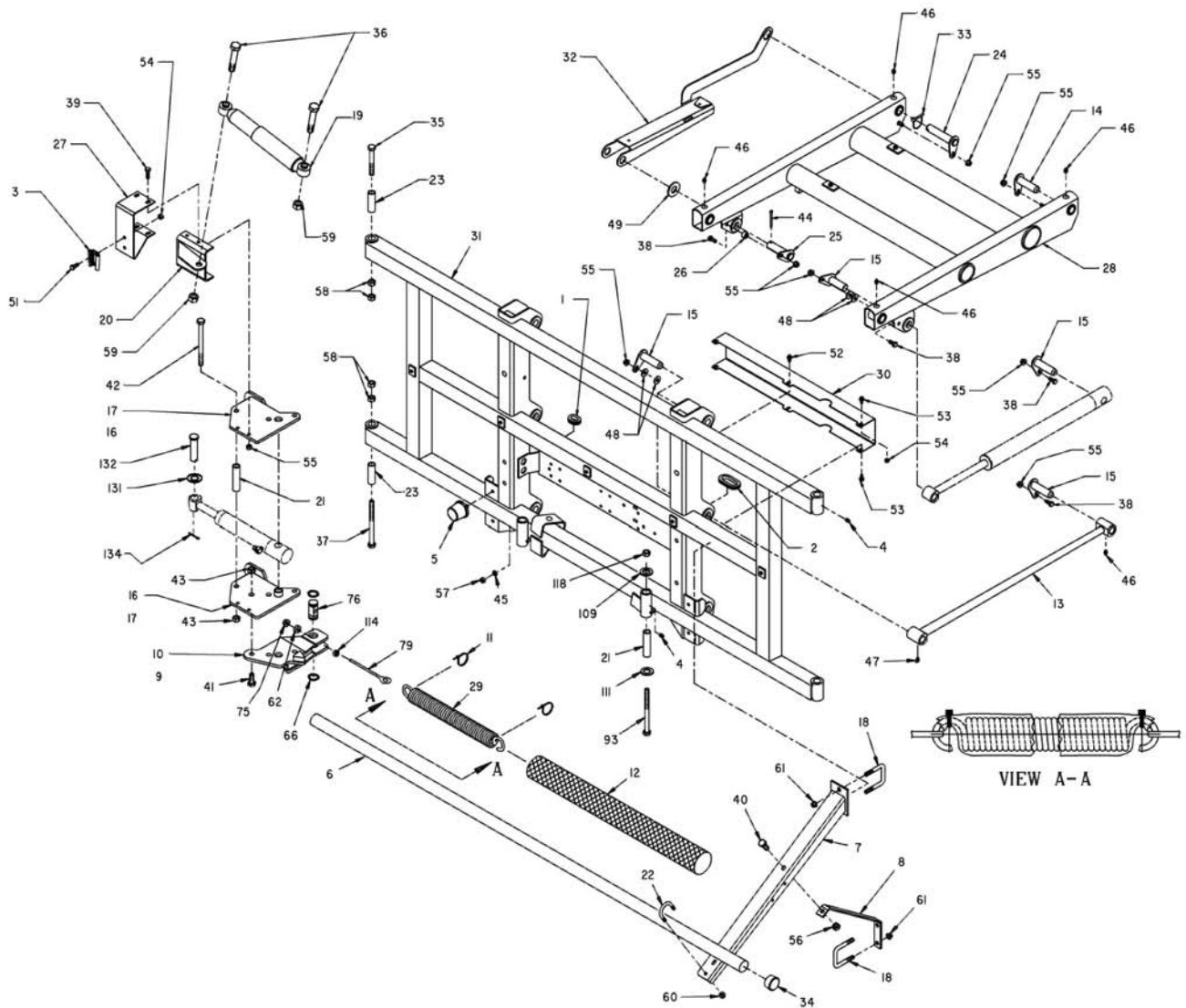
WR37518 - BOOM GROUP-60 FT HYD FOLD



WR37518 - BOOM GROUP-60 FT HYD FOLD

ITEM	PART #	QTY	DESCRIPTION	COMMENTS
57	WR550825	4	NUT 0.37-16NC HEX ZN REG	
58	WR35152	4	NUT-TOPLOCK3/4-10UNC G8 "ADAM"	
59	WR35152	4	NUT-TOPLOCK3/4-10UNC G8 "ADAM"	
60	WR520885	4	NUT-.38-16,G5,ZN,FLG,H	
61	WR55372	8	NUT-LOCK FLANGE, 1/2-13NC	
62	6802960	2	BUSHING-SPACER	
63	6505054	2	PIN-HINGE,3/4 X 3	
64	6507096	2	PIN-CLEVIS	
66	6538287	4	RING-SNAP	
67	6584225	2	BUMPER-RUBBER,RECESSED	
68	6595960	2	SPRING-CONE	
69	6613050	4	BUSHING-OILITE	
70	6802718	1	HINGE-W/A,RH	
71	6617579	8	BUSHING-RUBBER	
72	6617582	2	BELLCRANK-W/A	
73	6626010	1	TUBE-W/A SUPPORT,RH	
74	6626035	2	STOP-BOOM	
76	6626149	4	PIN	
77	6626198	8	PAD	
78	6626399	2	PIN	
79	6626401	4	BOLT-EYE	
80	6626690	2	SUPPORT-W/A	
81	6626691	2	CONDUIT	
82	6626692	2	CHAIN	
83	6627326	2	SPRING-BOOM R/BWR55921&WR55982	
84	6627334	4	CATCH-BOOM,MACH	
85	6627449	2	LATCH-PIN	
86	6627452	8	CLAMP	
87	6627453	2	PIN-PIVOT	
88	6596866	1	BOOM-W/A INNER,RH	
89	6596610	1	BOOM-OUTER,W/A,RH	
90	6627665	4	SPACER	
91	WR30002	2	SPRING-CPRSN, 1.18 OD X	
93	WR55153	2	SCREW-CAP HEX 5/8 NC X	
94	6660351	2	CLAMP-SADDLE	
95	6661900	2	SHIM .031	
96	6664598	2	SHOCK-DAMPER	
97	WR550183	8	BOLT 0.31-18NCX 0.75 G5 ZN HHD	
98	WR550469	2	BOLT 0.62-11NCX 3.50 G5 ZN HHD	
99	WR551031	4	BOLT.62-11NCX 4.00G5 ZN HHD	
100	WR559199	2	BOLT 0.62-11NCX 6.50 G5 ZN HHD	
101	WR55062	2	SCREW-CAP HEX M8 X 130	
102	WR10339	6	PIN-COTTER,1/8 X 1 1/4	
103	WR550205	4	WASHER LK 0.31 ZN REG	
104	WR55124	2	SCREW-FLAT HD SOCK,3/8 NC	
105	WR561892	4	FITTING LUBE STR 0.25UNF	
106	WR55134	2	PIN-STR,COILED,3/16 X 1	
107	WR55135	2	PIN-STR,COILED,1/4 X	
108	WR555819	2	BOLT .37-16NCX 1.00G5 PLAIN HD	
109	WR550310	2	WASHER 0.62 FL ZN REG TYPE-B	
110	WR561617	4	WASHER 0.50 FL ZN SAE TYPE-A	
111	WR515180	2	WASHER 0.62 FL ZN REG G8	
113	WR550213	2	NUT 0.31-18NC HEX ZN REG	
114	WR550124	8	NUT 0.50-13NC HEX ZN REG	
115	WR55355	4	NUT-TOPLOCK,5/8-11UNC G8	
116	WR55352	8	NUT-TOPLOCK,5/16-18UNC G8	
117	WR55353	2	NUT-TOPLOCK, 3/8-16UNC G8	
121	6802717	1	HINGE-W/A,LH	
122	6626011	1	TUBE-W/A SUPPORT,LH	
123	6596865	1	BOOM-W/A INNER,LH	
124	6596611	1	BOOM-OUTER,W/A,LH	
125	6597188	2	HOSE	
126	6597190	1	HOSE	
127	6597189	1	HOSE	
128	6618187	2	PIN-CLEVIS	
129	WR553212	2	BOLT 0.50-13NCX 3.25 G5 ZN HHD	
130	WR55354	2	NUT-TOPLOCK, 1/2-13UNC G8	
131	WR551856	4	WASHER1.00FL ZN SAE TYPE-A	

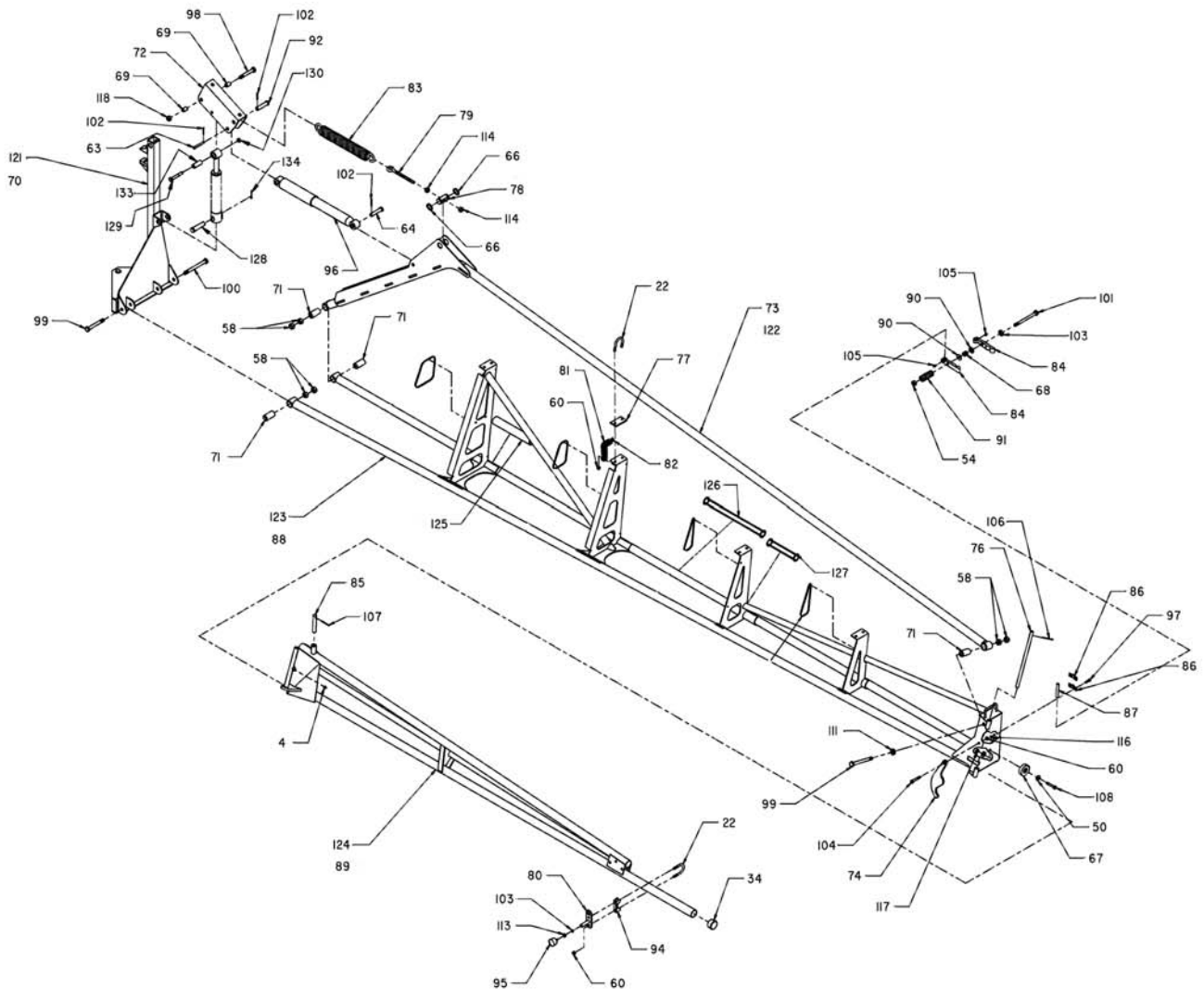
WR37518 - BOOM GROUP-60 FT HYD FOLD



WR37518 - BOOM GROUP-60 FT HYD FOLD

ITEM	PART #	QTY	DESCRIPTION	COMMENTS
132	6802711	2	PIN-CLEVIS	
133	6618175	2	BUSHING-STL, .875 OD	
134	WR55083	4	PIN-COTTER,3/16 X 1 1/2	
135	6505013	1	BAG-CLOTH	
137	WR029298	1	BOLT M10-1.50X 35MM G8.8 ZN HH	

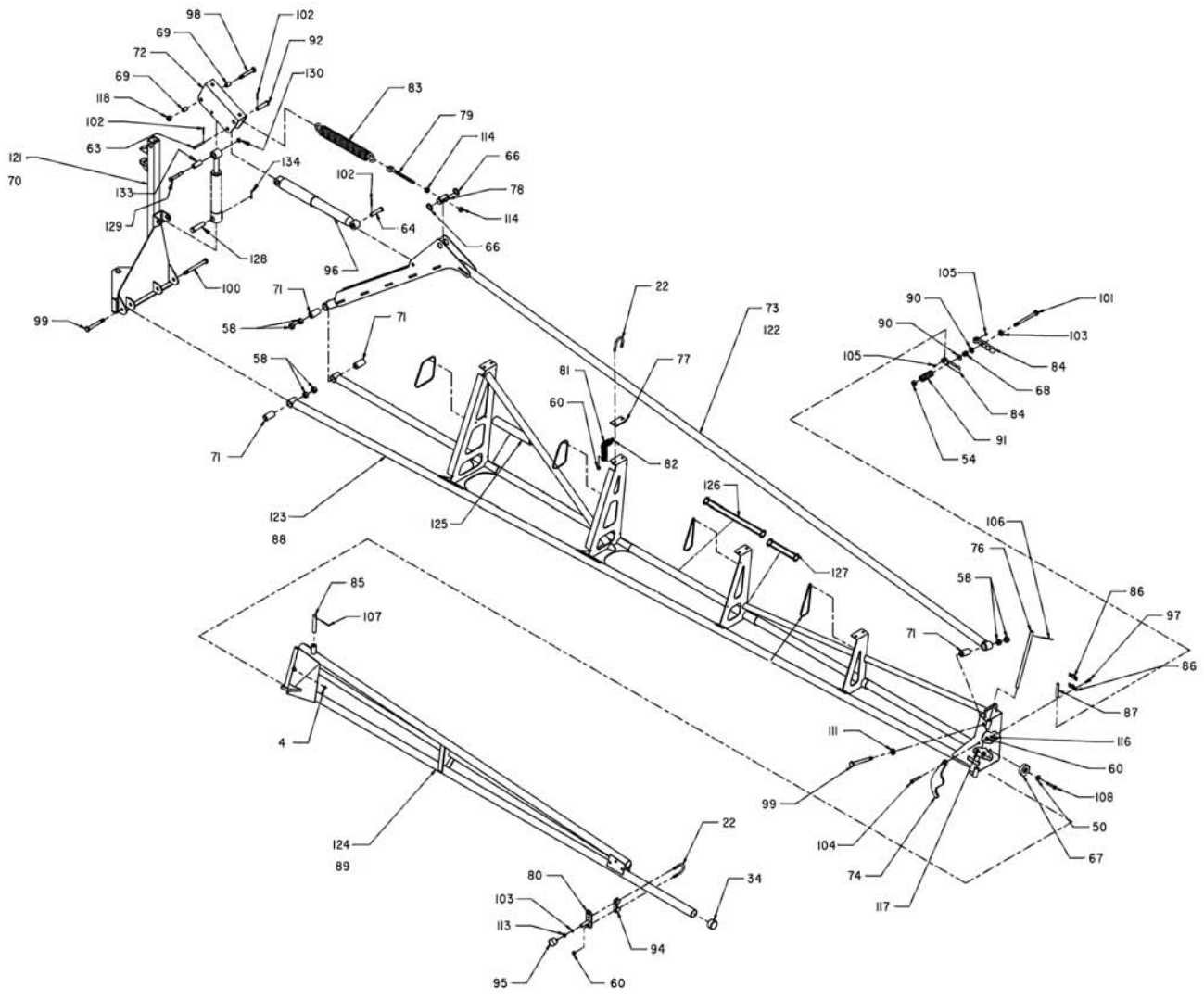
WR37518 - BOOM GROUP-60 FT HYD FOLD



WR37518 - BOOM GROUP-60 FT HYD FOLD

ITEM	PART #	QTY	DESCRIPTION	COMMENTS
0	WR37522	1	BOOM ASSY-RH,60' HYD	SEE PAGE 5-24
0	WR37523	1	BOOM ASSY-LH,60' HYD	SEE PAGE 5-28
0	WR37580	2	PIN-SPRING PIVOT	
0	WR37895	1	COVER-ELECTRICAL	
0	6804644	1	BAG-PARTS	SEE PAGE 4-18
0	6804076	2	BOLT-SUSPENSION	
0	6803869	2	SPACER	
0	WR121622	1	SPRING, ASSY	
0	6802165	-	INSTL-BOOM	
0	WR562375	2	BOLT M12-1.75X 25MM G8.8 ZN HH	
0	WR55255	6	SCREW-HEX FLG.,25NCX.625 GR5	
0	WR550477	12	NUT 0.62-11NC HEX ZN REG	
0	WR550124	8	NUT 0.50-13NC HEX ZN REG	
0	WR50851	6	NUT-SPEED,1/4-20	
1	WR731972	6	GROMMET	
2	6533975	1	GROMMET	
3	6519752	1	SOCKET	
5	6530360	4	BUMPER-RUBBER	
6	6617585	1	TUBE-BOOM,CNTR	
7	6617765	2	BRACKET-W/A	
8	6617780	2	SUPPORT	
9	6802790	1	LEVER-W/A,LH	
10	6802789	1	LEVER-W/A,RH	
11	WR562496	2	TIE CABLE 15.0 .18-4.00 BLACK	
12	6804189	1	SLEEVE-FABRIC	
13	6618833	1	LINK-W/A	
14	6618835	1	PIN-W/A	
15	6618836	9	PIN-W/A	
16	6618840	2	PIVOT-W/A	
17	6618841	2	PIVOT WLDMT-BOOM CUSHION	
18	6620133	4	U-BOLT SQUARE,1/2 NC	
19	6623263	2	SHOCK ABSORBER-BOOM	
20	6624680	2	MOUNT-WLDMT,SHOCK	
21	6624692	4	SLEEVE	
22	6626119	2	U-BOLT	
23	6800367	4	SLEEVE	
24	6626661	1	PIN-W/A	
25	6626663	1	PIN-W/A	
26	6626810	1	BUSHING	
27	6626929	1	BRACKET	
28	6626991	1	FRAME-BOOM LIFT,W/A	
29	6804052	1	SPRING ASSY	
30	6802444	1	COVER	
31	6802250	1	BOOM-CENTER FRAME,W/A	
32	6804303	1	CHANNEL-W/A	
33	6656009	1	PIN-SNAPPER	
34	6659910	2	CAP	
35	WR552046	2	BOLT.62-11NCX4.50G5 ZN HHD	
36	WR553689	2	BOLT 0.75-10NCX 3.00 G5 ZN HHD	
37	WR50814	2	SCREW-CAP HEX 5/8 NC X	
38	WR561683	5	BOLT M10-1.5 X 25MM G8.8 ZN HH	
39	WR029298	8	BOLT M10-1.50X 35MM G8.8 ZN HH	
40	WR29124	2	R/B 562375	
41	WR55058	2	SCREW-CAP HEX M16 X 40	
42	WR55068	2	SCREW-CAP HEX M16 X 150	
43	WR562799	4	NUT HEX M16 X 2.00	
44	WR35925	1	PIN-COTTER,1/4 X 2.00	
45	WR550191	4	WASHER LK 0.37 ZN REG	
46	WR550280	6	FITTING LUB.12-27NPTFX0.68	
47	WR562551	2	ZERK 45D 0.125 NPT	
48	WR55158	4	WASHER-FLAT,10MM ID,	
49	WR55079	1	WASHER-PLAIN,24MM ID,LC,	
50	WR551015	8	WASHER 0.31 FL ZN REG TYPE-B	
51	WR55172	2	BOLT-CARRIAGE,M8 X 20,	
52	WR55204	2	SCREW-HEX FLG,M8X1.25X12 CL8.8	
53	WR55205	4	SCREW-HEX FLG,M8X1.25X16 CL8.8	
54	WR32254	8	NUT-TOPLOCK,M8-1.25	
55	WR55272	8	NUT-LOCK,M10 X 1.5,PREV	
56	WR55273	2	NUT-LOCK,M12 X 1.5,PREV	

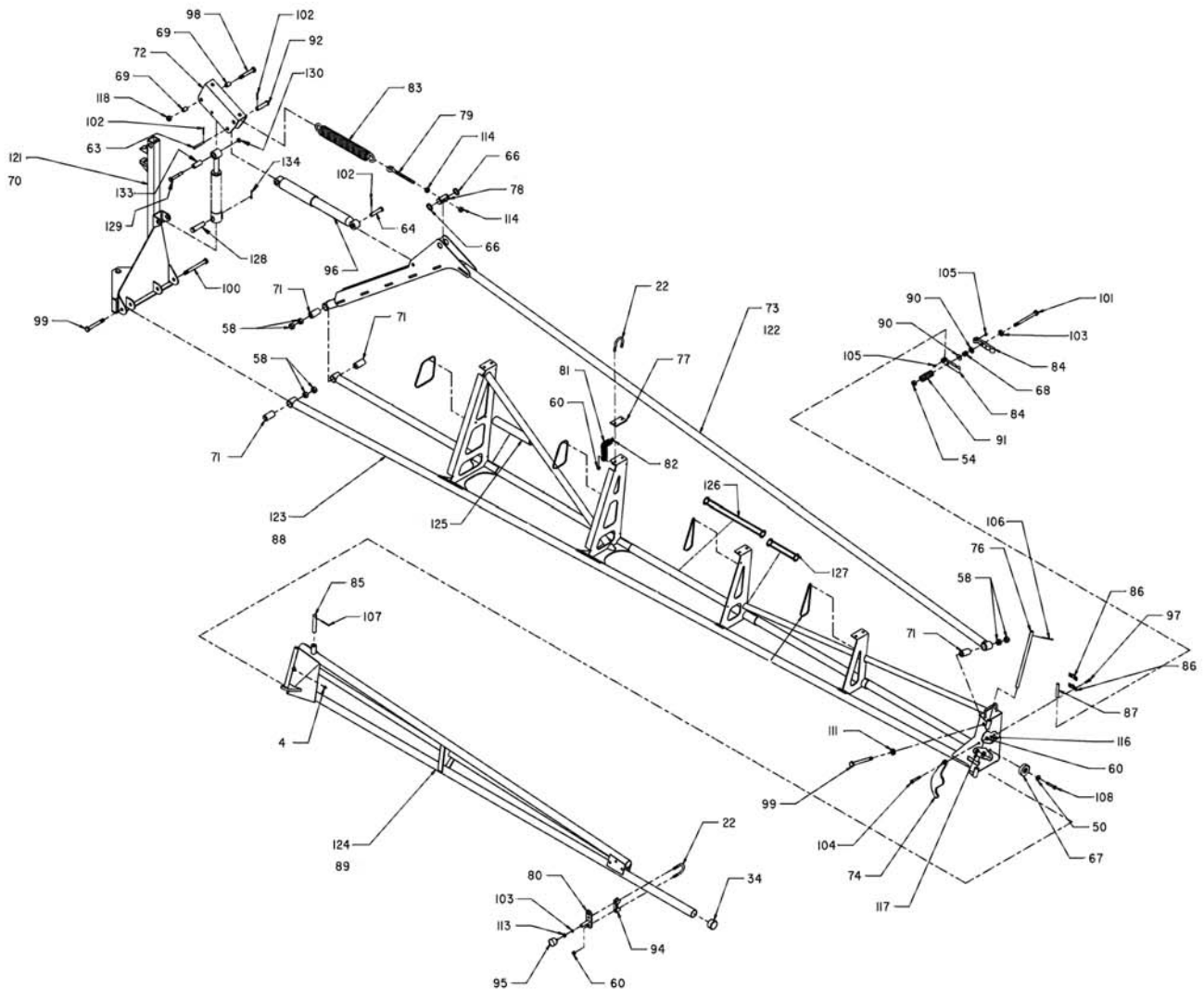
WR37518 - BOOM GROUP-60 FT HYD FOLD



WR37518 - BOOM GROUP-60 FT HYD FOLD

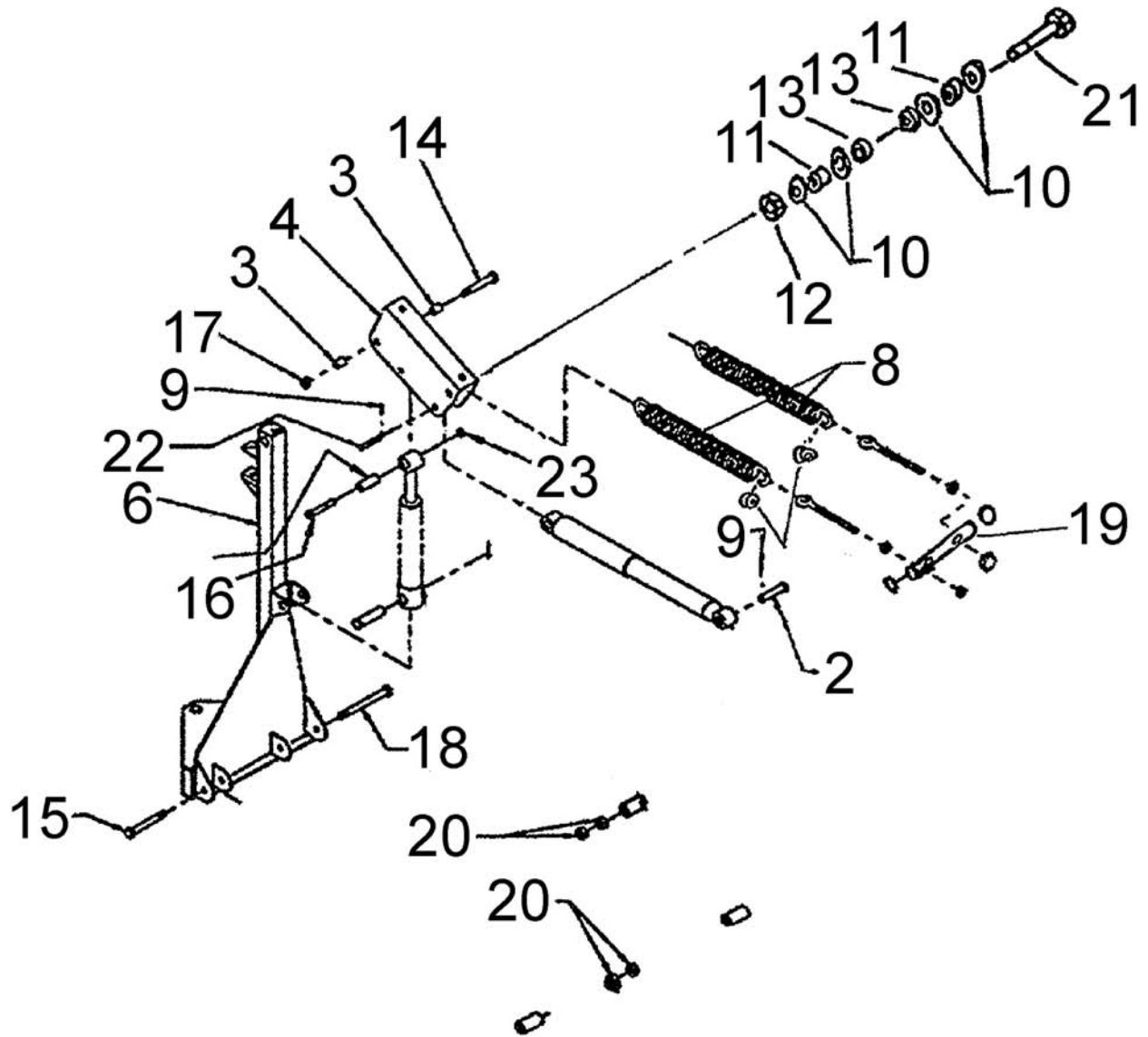
ITEM	PART #	QTY	DESCRIPTION	COMMENTS
57	WR550825	4	NUT 0.37-16NC HEX ZN REG	
58	WR35152	4	NUT-TOPLOCK3/4-10UNC G8 "ADAM"	
59	WR35152	4	NUT-TOPLOCK3/4-10UNC G8 "ADAM"	
60	WR520885	4	NUT-.38-16,G5,ZN,FLG,H	
61	WR55372	8	NUT-LOCK FLANGE, 1/2-13NC	
62	6802960	2	BUSHING-SPACER	
63	6505054	2	PIN-HINGE,3/4 X 3	
64	6507096	2	PIN-CLEVIS	
66	6538287	4	RING-SNAP	
67	6584225	2	BUMPER-RUBBER,RECESSED	
68	6595960	2	SPRING-CONE	
69	6613050	4	BUSHING-OILITE	
70	6802718	1	HINGE-W/A,RH	
71	6617579	8	BUSHING-RUBBER	
72	6617582	2	BELLCRANK-W/A	
73	6626010	1	TUBE-W/A SUPPORT,RH	
74	6626035	2	STOP-BOOM	
76	6626149	4	PIN	
77	6626198	8	PAD	
78	6626399	2	PIN	
79	6626401	4	BOLT-EYE	
80	6626690	2	SUPPORT-W/A	
81	6626691	2	CONDUIT	
82	6626692	2	CHAIN	
83	6627326	2	SPRING-BOOM R/BWR55921&WR55982	
84	6627334	4	CATCH-BOOM,MACH	
85	6627449	2	LATCH-PIN	
86	6627452	8	CLAMP	
87	6627453	2	PIN-PIVOT	
88	6596866	1	BOOM-W/A INNER,RH	
89	6596610	1	BOOM-OUTER,W/A,RH	
90	6627665	4	SPACER	
91	WR30002	2	SPRING-CPRSN, 1.18 OD X	
93	WR55153	2	SCREW-CAP HEX 5/8 NC X	
94	6660351	2	CLAMP-SADDLE	
95	6661900	2	SHIM .031	
96	6664598	2	SHOCK-DAMPER	
97	WR550183	8	BOLT 0.31-18NCX 0.75 G5 ZN HHD	
98	WR550469	2	BOLT 0.62-11NCX 3.50 G5 ZN HHD	
99	WR551031	4	BOLT.62-11NCX 4.00G5 ZN HHD	
100	WR559199	2	BOLT 0.62-11NCX 6.50 G5 ZN HHD	
101	WR55062	2	SCREW-CAP HEX M8 X 130	
102	WR10339	6	PIN-COTTER,1/8 X 1 1/4	
103	WR550205	4	WASHER LK 0.31 ZN REG	
104	WR55124	2	SCREW-FLAT HD SOCK,3/8 NC	
105	WR561892	4	FITTING LUBE STR 0.25UNF	
106	WR55134	2	PIN-STR,COILED,3/16 X 1	
107	WR55135	2	PIN-STR,COILED,1/4 X	
108	WR555819	2	BOLT .37-16NCX 1.00G5 PLAIN HD	
109	WR550310	2	WASHER 0.62 FL ZN REG TYPE-B	
110	WR561617	4	WASHER 0.50 FL ZN SAE TYPE-A	
111	WR515180	2	WASHER 0.62 FL ZN REG G8	
113	WR550213	2	NUT 0.31-18NC HEX ZN REG	
114	WR550124	8	NUT 0.50-13NC HEX ZN REG	
115	WR55355	4	NUT-TOPLOCK,5/8-11UNC G8	
116	WR55352	8	NUT-TOPLOCK,5/16-18UNC G8	
117	WR55353	2	NUT-TOPLOCK, 3/8-16UNC G8	
121	6802717	1	HINGE-W/A,LH	
122	6626011	1	TUBE-W/A SUPPORT,LH	
123	6596865	1	BOOM-W/A INNER,LH	
124	6596611	1	BOOM-OUTER,W/A,LH	
125	6597188	2	HOSE	
126	6597190	1	HOSE	
127	6597189	1	HOSE	
128	6618187	2	PIN-CLEVIS	
129	WR553212	2	BOLT 0.50-13NCX 3.25 G5 ZN HHD	
130	WR55354	2	NUT-TOPLOCK, 1/2-13UNC G8	
131	WR551856	4	WASHER1.00FL ZN SAE TYPE-A	

WR37518 - BOOM GROUP-60 FT HYD FOLD



WR37518 - BOOM GROUP-60 FT HYD FOLD

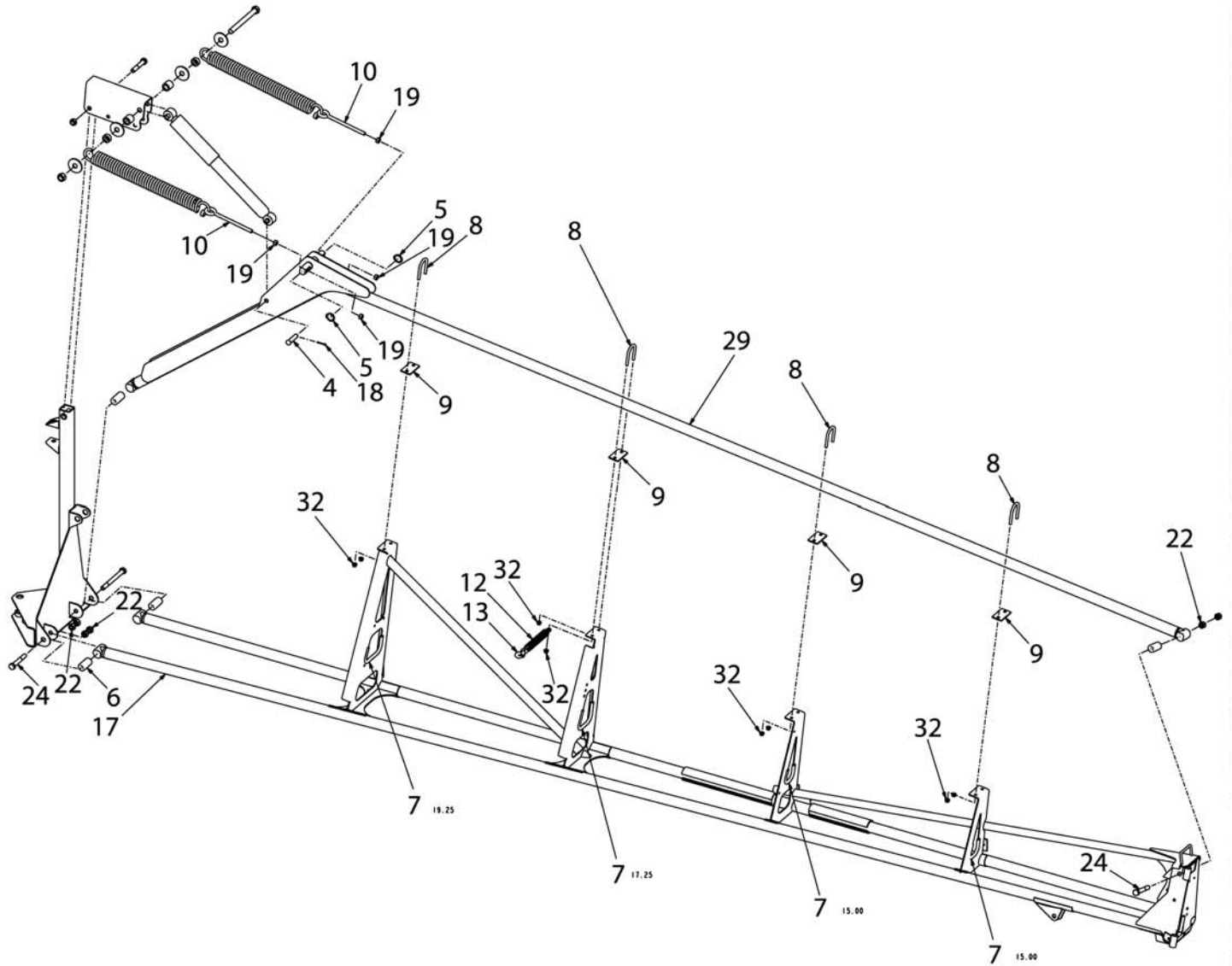
ITEM	PART #	QTY	DESCRIPTION	COMMENTS
132	6802711	2	PIN-CLEVIS	
133	6618175	2	BUSHING-STL, .875 OD	
134	WR55083	4	PIN-COTTER,3/16 X 1 1/2	
135	6505013	1	BAG-CLOTH	
137	WR029298	1	BOLT M10-1.50X 35MM G8.8 ZN HH	



WR37522 - BOOM ASSY-RH,60' HYD

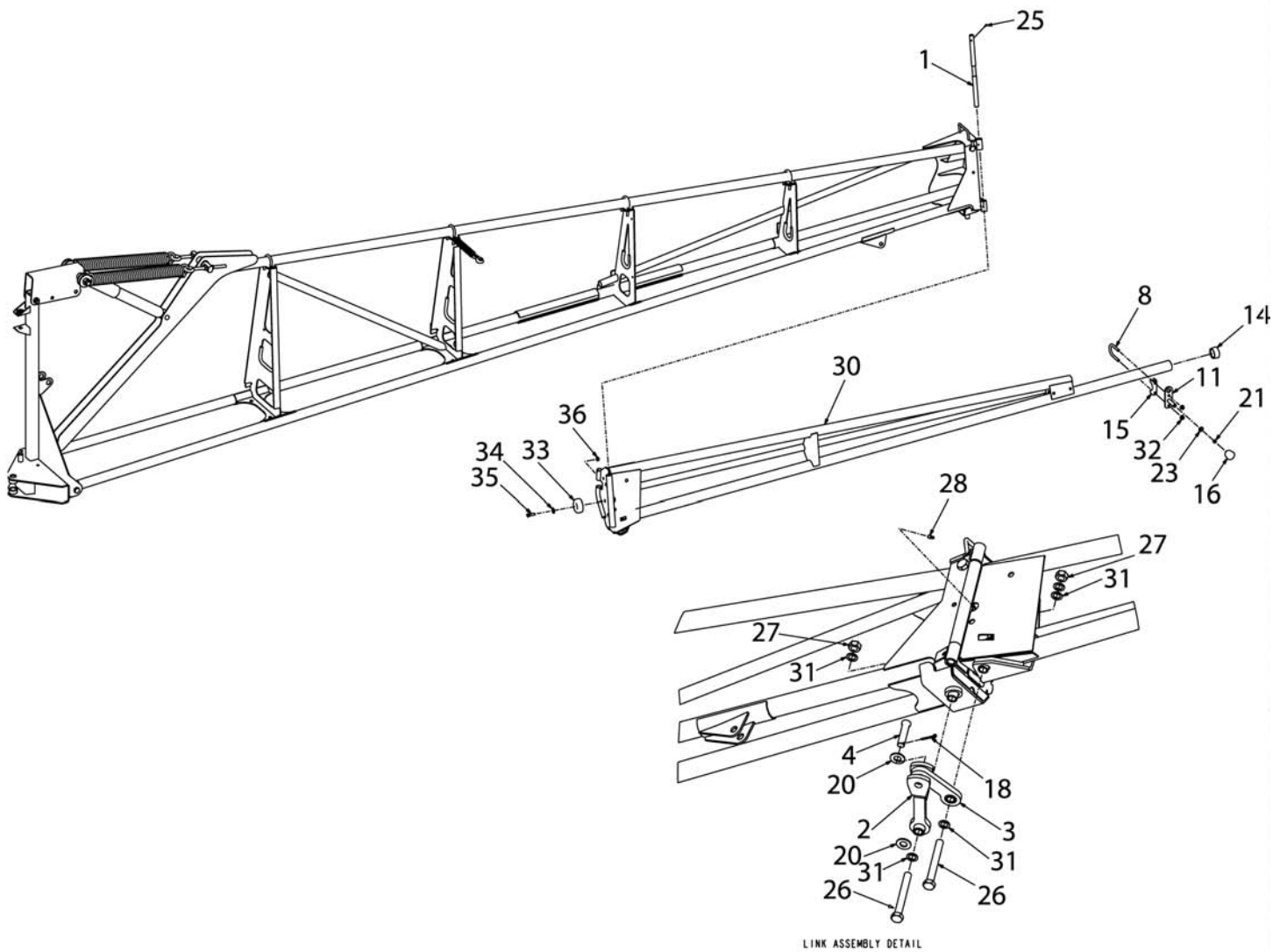
ITEM	PART #	QTY	DESCRIPTION	COMMENTS
1	WR37520	1	BOOM ASSY-RH	SEE PAGE 5-25
2	6507096	1	PIN-CLEVIS	
3	6613050	2	BUSHING-OILITE	
4	6617582	1	BELLCRANK-W/A	
5	6664598	1	SHOCK-DAMPER	
6	6802718	1	HINGE-W/A,RH	
7	WR55688	2	COLLAR-SET,7/16 ID	
8	WR55921	2	SPRING-BOOM	
9	WR10339	2	PIN-COTTER,1/8 X 1 1/4	
10	WR550116	4	WASHER 0.75 FL ZN REG TYPE-B	
11	WR10896	2	TUBE-RM, 1.31 OD X.250W X	
12	WR11546	1	NUT-TOPLOCK, 3/4-16UNF G5	
13	WR17220	2	TUBE-RM, 1.31 OD X.250W X	
14	WR550469	1	BOLT 0.62-11NCX 3.50 G5 ZN HHD	
15	WR551031	1	BOLT.62-11NCX 4.00G5 ZN HHD	
16	WR553212	1	BOLT 0.50-13NCX 3.25 G5 ZN HHD	
17	WR55355	1	NUT-TOPLOCK,5/8-11UNC G8	
18	WR559199	1	BOLT 0.62-11NCX 6.50 G5 ZN HHD	
19	WR37574	1	PIN-SPRING,MOUNT	
20	WR550477	4	NUT 0.62-11NC HEX ZN REG	
21	WR553646	1	BOLT 0.75-10NCX 8.50 G5 ZN HHD	
22	6633446	1	PIN-CLEVIS	
23	WR55354	1	NUT-TOPLOCK, 1/2-13UNC G8	

WR37520 - BOOM ASSY-RH



WR37520 - BOOM ASSY-RH

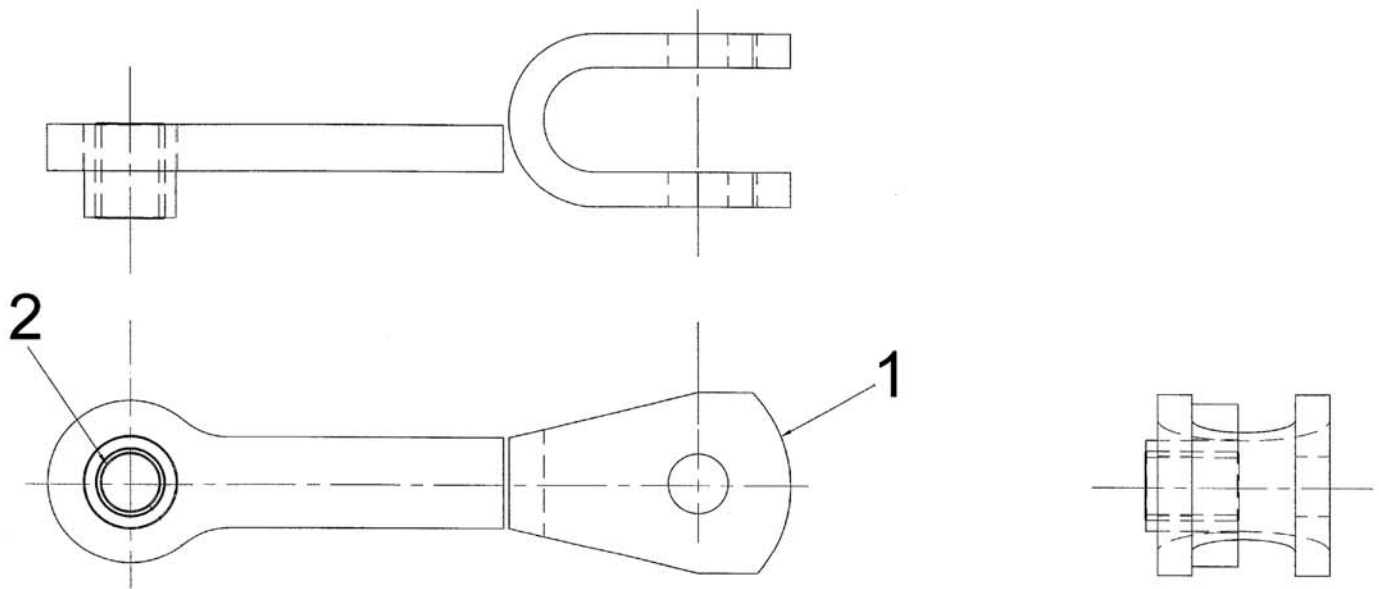
ITEM	PART #	QTY	DESCRIPTION	COMMENTS
0	WR35153	4	SCREW-MACH BTN SOCHD	
0	WR11494	4	NUT-CENTERLOCK, 1/4	
1	WR37777	1	ROUND -CR 1045, .750 DIA	
2	WR38719	1	LINK ASSY-WING FOLD,INNER	SEE PAGE 5-26
3	WR38720	1	LINK ASSY-WING FOLD,OUTER	SEE PAGE 5-27
4	6507096	1	PIN-CLEVIS	
5	6538287	2	RING-SNAP	
6	6617579	4	BUSHING-RUBBER	
7	6620417	-	RUBBER-STRIP [BULK: 0 FT]	
8	6626119	5	U-BOLT	
9	6626198	4	PAD	
10	6626401	2	BOLT-EYE	
11	6626690	1	SUPPORT-W/A	
12	6626691	1	CONDUIT	
13	6626692	1	CHAIN	
14	6659910	1	CAP	
15	6660351	1	CLAMP-SADDLE	
16	6661800	1	BUMPER-MOLDED	
17	WR39035	1	INNER BOOM WLDMT-60 FT & 80 FT ,RH	
18	WR10339	1	PIN-COTTER,1/8 X 1 1/4	
19	WR550124	4	NUT 0.50-13NC HEX ZN REG	
20	WR515180	2	WASHER 0.62 FL ZN REG G8	
21	WR550213	1	NUT 0.31-18NC HEX ZN REG	
22	WR550477	7	NUT 0.62-11NC HEX ZN REG	
23	WR551015	3	WASHER 0.31 FL ZN REG TYPE-B	
24	WR551031	2	BOLT.62-11NCX 4.00G5 ZN HHD	
25	WR55134	1	PIN-STR,COILED,3/16 X 1	
26	WR553069	2	BOLT 0.62-11NCX 5.00 G5 ZN HHD	
27	WR55355	2	NUT-TOPLOCK,5/8-11UNC G8	
28	WR55397	1	GREASE ZERK-1/4-28 R/B 561892	
28	WR561892	1	FITTING LUBE STR 0.25UNF	
29	6626010	1	TUBE-W/A SUPPORT,RH	
30	WR39087	1	EXTENSION WLDMT-HYD,60 FT	
31	WR524542	5	WASHER-.98ODX,64IDX,075RC42-50	
32	WR520885	11	NUT-.38-16,G5,ZN,FLG,H	
33	6584225	2	BUMPER-RUBBER,RECESSED	
34	WR551007	1	WASHER FL 0.37 ZN REG TYPE-B	
35	WR550515	1	BOLT 0.37-16NCX 1.25 G5 ZN HHD	
36	WR602639	1	NUT 0.37-24NF HEX ZN REG NY	



WR37520 - BOOM ASSY-RH

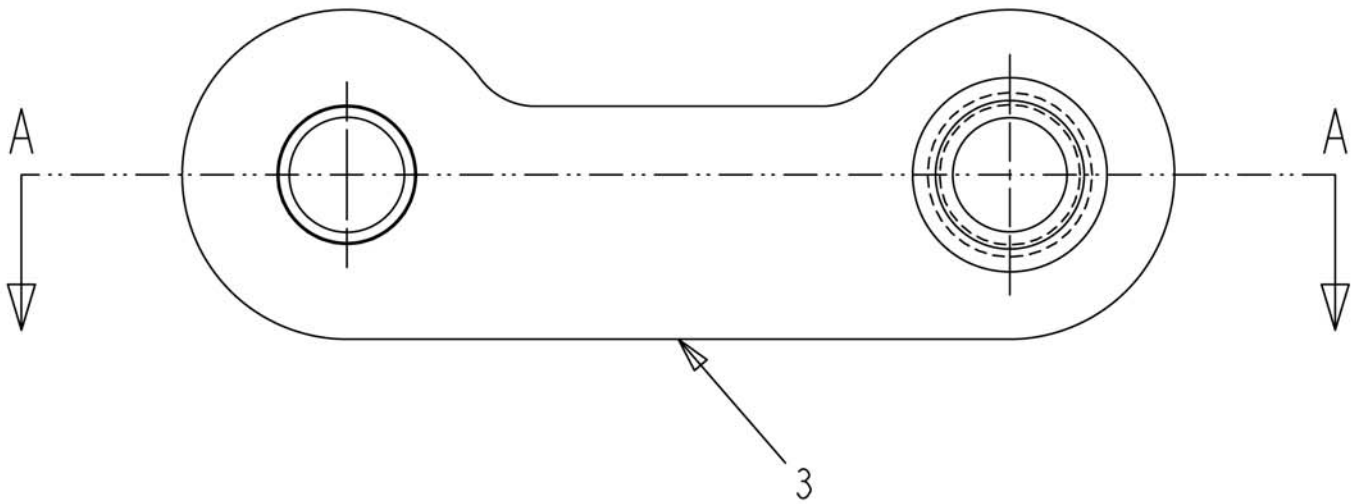
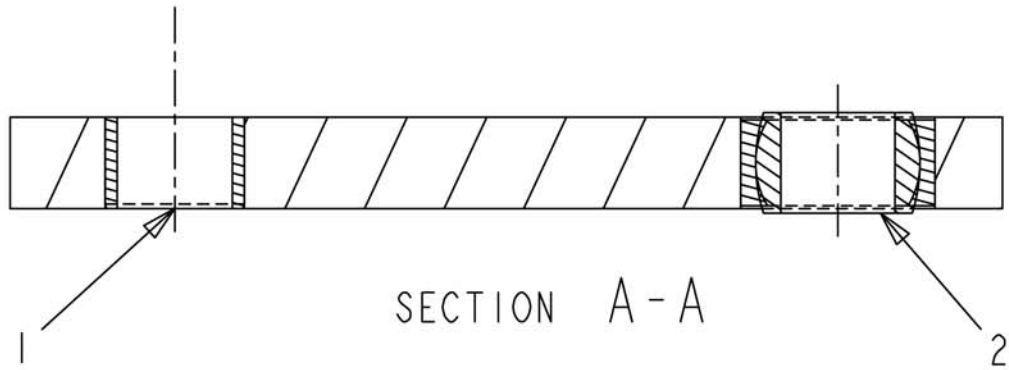
ITEM	PART #	QTY	DESCRIPTION	COMMENTS
0	WR35153	4	SCREW-MACH BTN SOCHD	
0	WR11494	4	NUT-CENTERLOCK, 1/4	
1	WR37777	1	ROUND -CR 1045, .750 DIA	
2	WR38719	1	LINK ASSY-WING FOLD,INNER	SEE PAGE 5-26
3	WR38720	1	LINK ASSY-WING FOLD,OUTER	SEE PAGE 5-27
4	6507096	1	PIN-CLEVIS	
5	6538287	2	RING-SNAP	
6	6617579	4	BUSHING-RUBBER	
7	6620417	-	RUBBER-STRIP [BULK: 0 FT]	
8	6626119	5	U-BOLT	
9	6626198	4	PAD	
10	6626401	2	BOLT-EYE	
11	6626690	1	SUPPORT-W/A	
12	6626691	1	CONDUIT	
13	6626692	1	CHAIN	
14	6659910	1	CAP	
15	6660351	1	CLAMP-SADDLE	
16	6661800	1	BUMPER-MOLDED	
17	WR39035	1	INNER BOOM WLDMT-60 FT & 80 FT ,RH	
18	WR10339	1	PIN-COTTER,1/8 X 1 1/4	
19	WR550124	4	NUT 0.50-13NC HEX ZN REG	
20	WR515180	2	WASHER 0.62 FL ZN REG G8	
21	WR550213	1	NUT 0.31-18NC HEX ZN REG	
22	WR550477	7	NUT 0.62-11NC HEX ZN REG	
23	WR551015	3	WASHER 0.31 FL ZN REG TYPE-B	
24	WR551031	2	BOLT.62-11NCX 4.00G5 ZN HHD	
25	WR55134	1	PIN-STR,COILED,3/16 X 1	
26	WR553069	2	BOLT 0.62-11NCX 5.00 G5 ZN HHD	
27	WR55355	2	NUT-TOPLOCK,5/8-11UNC G8	
28	WR55397	1	GREASE ZERK-1/4-28 R/B 561892	
28	WR561892	1	FITTING LUBE STR 0.25UNF	
29	6626010	1	TUBE-W/A SUPPORT,RH	
30	WR39087	1	EXTENSION WLDMT-HYD,60 FT	
31	WR524542	5	WASHER-.98ODX,64IDX,075RC42-50	
32	WR520885	11	NUT-.38-16,G5,ZN,FLG,H	
33	6584225	2	BUMPER-RUBBER,RECESSED	
34	WR551007	1	WASHER FL 0.37 ZN REG TYPE-B	
35	WR550515	1	BOLT 0.37-16NCX 1.25 G5 ZN HHD	
36	WR602639	1	NUT 0.37-24NF HEX ZN REG NY	

WR38719 - LINK ASSY-WING FOLD,INNER



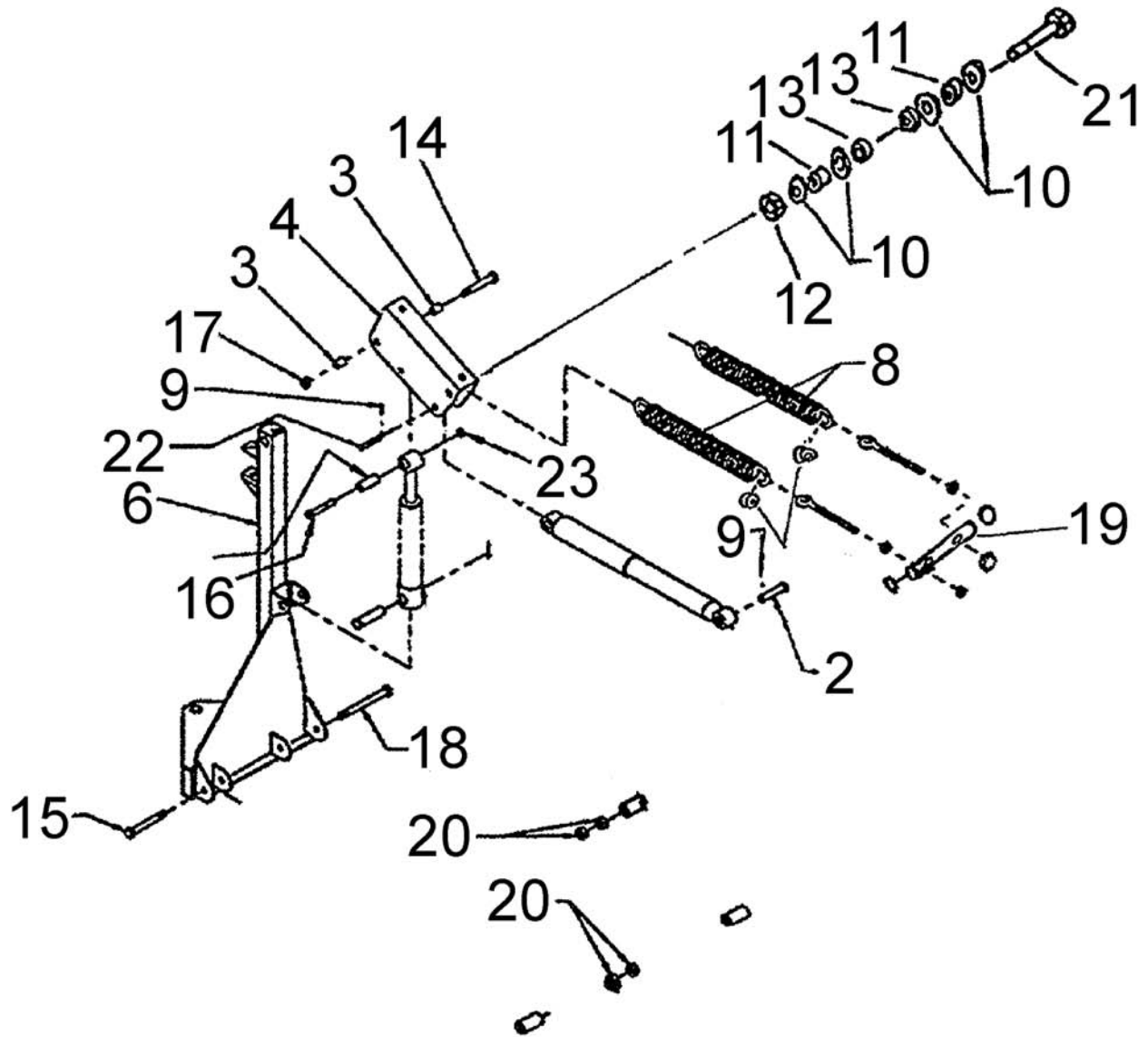
WR38719 - LINK ASSY-WING FOLD,INNER

ITEM	PART #	QTY	DESCRIPTION	COMMENTS
1	WR38718	1	PIVOT LINK-MACHINED	
2	6613050	1	BUSHING-OILITE	



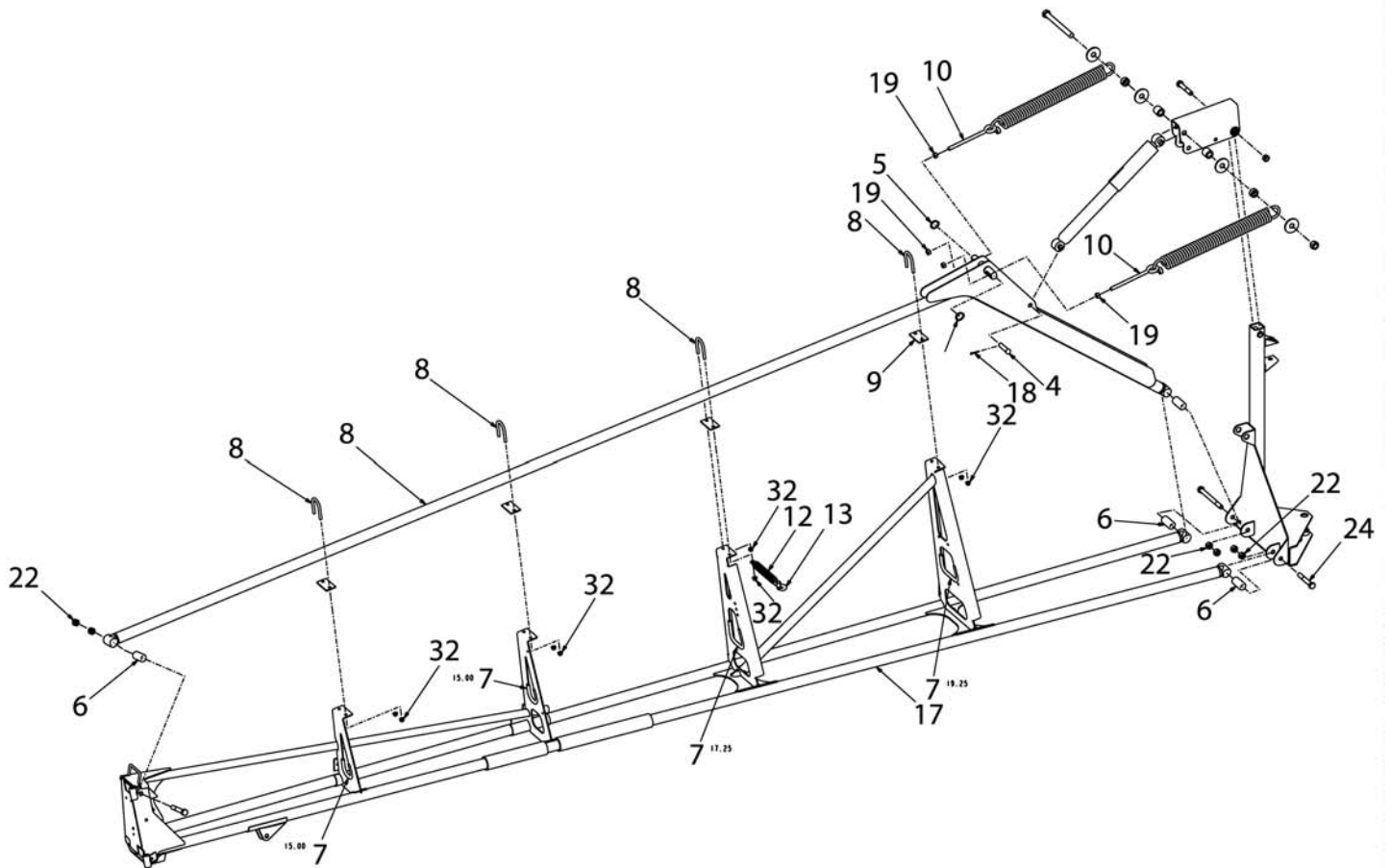
WR38720 - LINK ASSY-WING FOLD,OUTER

ITEM	PART #	QTY	DESCRIPTION	COMMENTS
1	6613050	0.5	BUSHING-OILITE	
2	WR37567	1	BEARING-SPERICAL,.625ID	
3	WR38716	1	LINK-BOOM FOLD,MACH-"NOT USED"	



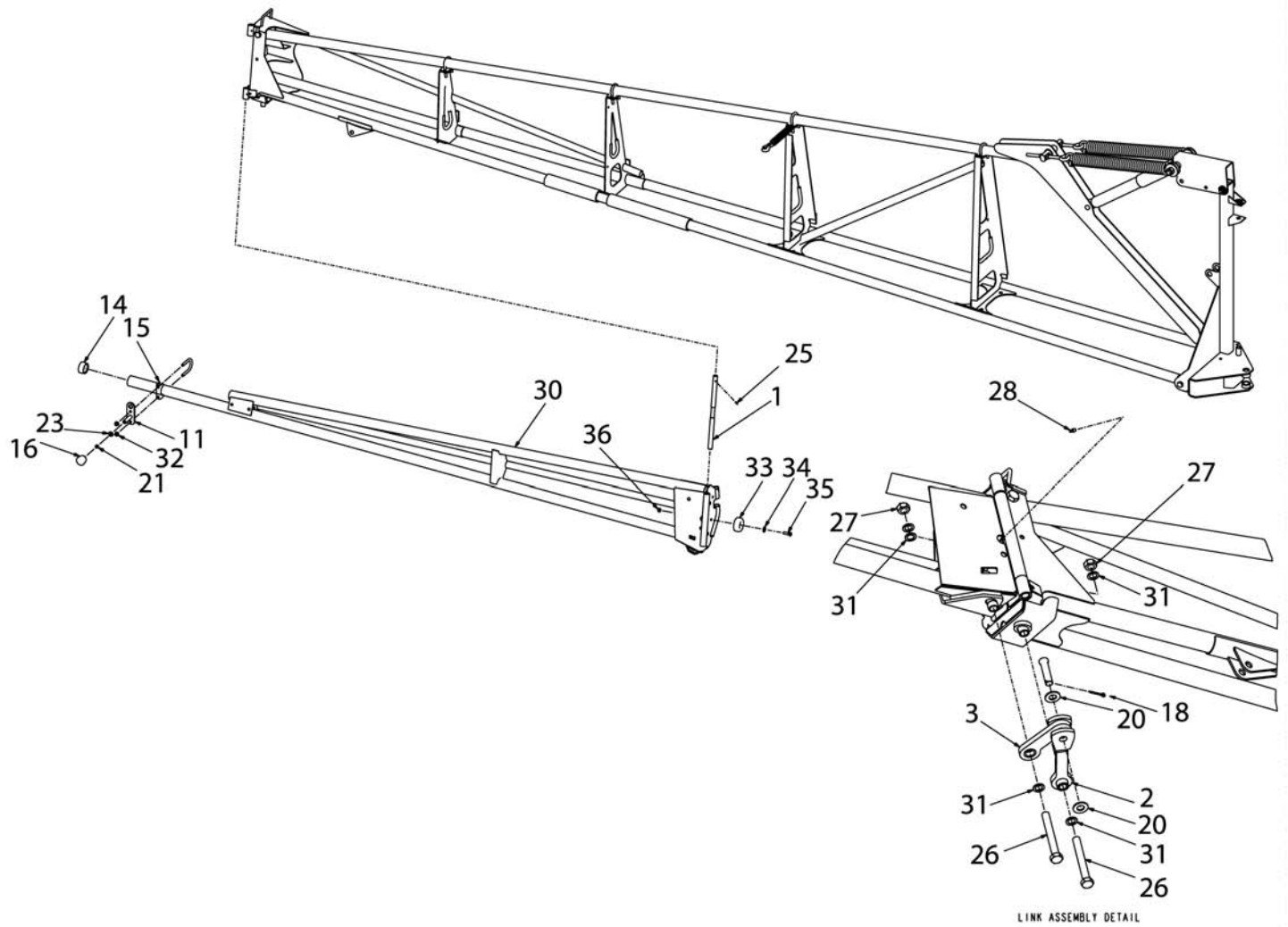
WR37523 - BOOM ASSY-LH,60' HYD

ITEM	PART #	QTY	DESCRIPTION	COMMENTS
1	WR37521	1	BOOM ASSY-LH	SEE PAGE 5-29
2	6507096	1	PIN-CLEVIS	
3	6613050	2	BUSHING-OILITE	
4	6617582	1	BELLCRANK-W/A	
5	6664598	1	SHOCK-DAMPER	
6	6802717	1	HINGE-W/A,LH	
7	WR55688	2	COLLAR-SET,7/16 ID	
8	WR55921	2	SPRING-BOOM	
9	WR10339	2	PIN-COTTER,1/8 X 1 1/4	
10	WR550116	4	WASHER 0.75 FL ZN REG TYPE-B	
11	WR10896	2	TUBE-RM, 1.31 OD X.250W X	
12	WR11546	1	NUT-TOPLOCK, 3/4-16UNF G5	
13	WR17220	2	TUBE-RM, 1.31 OD X.250W X	
14	WR550469	1	BOLT 0.62-11NCX 3.50 G5 ZN HHD	
15	WR551031	1	BOLT.62-11NCX 4.00G5 ZN HHD	
16	WR553212	1	BOLT 0.50-13NCX 3.25 G5 ZN HHD	
17	WR55355	1	NUT-TOPLOCK,5/8-11UNC G8	
18	WR559199	1	BOLT 0.62-11NCX 6.50 G5 ZN HHD	
19	WR37574	1	PIN-SPRING,MOUNT	
20	WR550477	4	NUT 0.62-11NC HEX ZN REG	
21	WR553646	1	BOLT 0.75-10NCX 8.50 G5 ZN HHD	
22	6633446	1	PIN-CLEVIS	
23	WR55354	1	NUT-TOPLOCK, 1/2-13UNC G8	



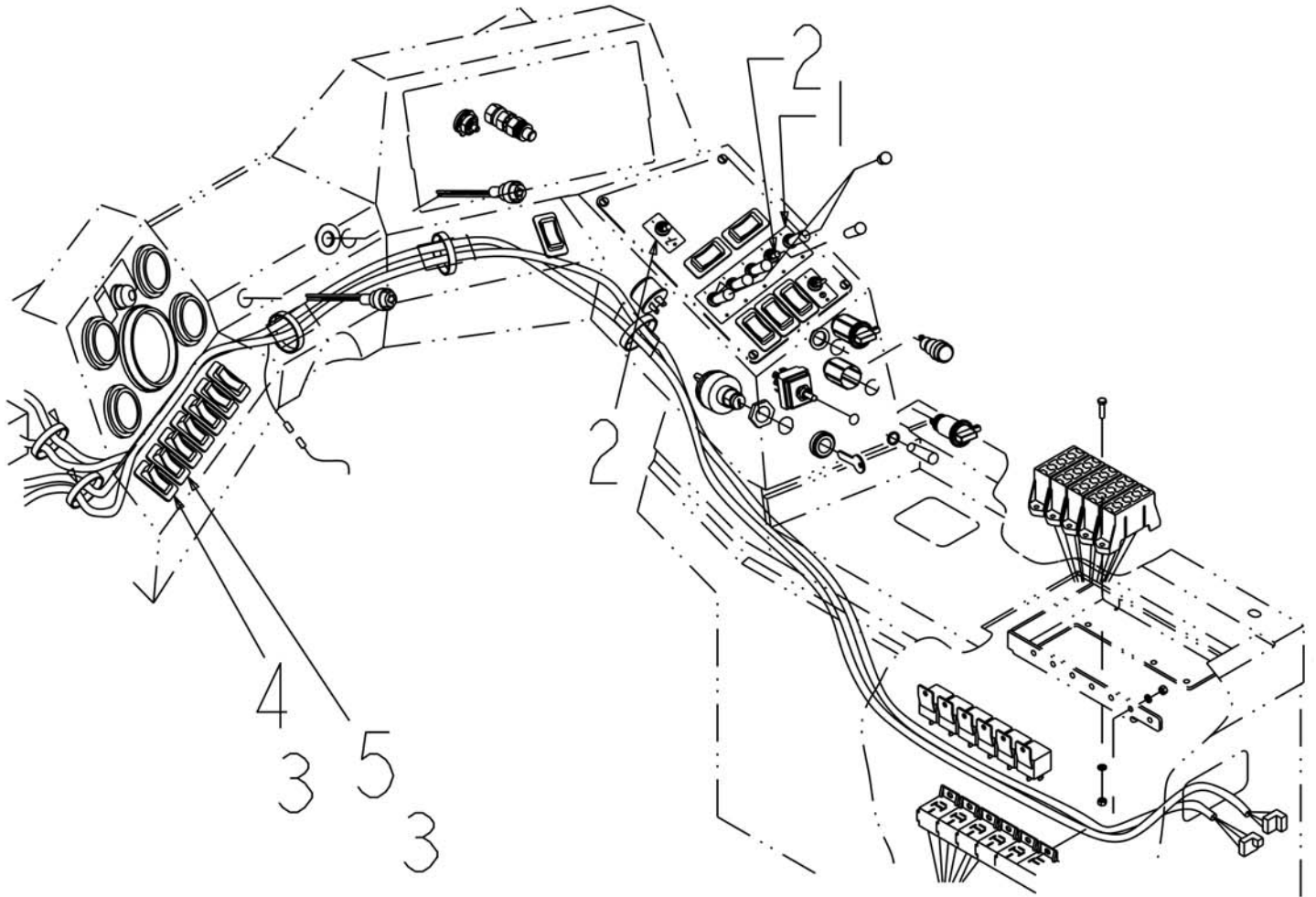
WR37521 - BOOM ASSY-LH

ITEM	PART #	QTY	DESCRIPTION	COMMENTS
0	6597190	1	HOSE	
0	WR35153	4	SCREW-MACH BTN SOCHD	
0	WR11494	4	NUT-CENTERLOCK, 1/4	
1	WR37777	1	ROUND -CR 1045, .750 DIA	
2	WR38719	1	LINK ASSY-WING FOLD,INNER	SEE PAGE 5-26
3	WR38720	1	LINK ASSY-WING FOLD,OUTER	SEE PAGE 5-27
4	6507096	1	PIN-CLEVIS	
5	6538287	2	RING-SNAP	
6	6617579	4	BUSHING-RUBBER	
7	6620417	-	RUBBER-STRIP [BULK: 0 FT]	
8	6626119	5	U-BOLT	
9	6626198	4	PAD	
10	6626401	2	BOLT-EYE	
11	6626690	1	SUPPORT-W/A	
12	6626691	1	CONDUIT	
13	6626692	1	CHAIN	
14	6659910	1	CAP	
15	6660351	1	CLAMP-SADDLE	
16	6661800	1	BUMPER-MOLDED	
17	WR39036	1	INNER BOOM WLDMT-60 FT & 80 FT ,LH	
18	WR10339	1	PIN-COTTER,1/8 X 1 1/4	
19	WR550124	4	NUT 0.50-13NC HEX ZN REG	
20	WR515180	2	WASHER 0.62 FL ZN REG G8	
21	WR550213	1	NUT 0.31-18NC HEX ZN REG	
22	WR550477	7	NUT 0.62-11NC HEX ZN REG	
23	WR551015	2	WASHER 0.31 FL ZN REG TYPE-B	
24	WR551031	2	BOLT.62-11NCX 4.00G5 ZN HHD	
25	WR55134	1	PIN-STR,COILED,3/16 X 1	
26	WR553069	1	BOLT 0.62-11NCX 5.00 G5 ZN HHD	
27	WR55355	2	NUT-TOPLOCK,5/8-11UNC G8	
28	WR561892	1	FITTING LUBE STR 0.25UNF	
29	6626011	1	TUBE-W/A SUPPORT,LH	
30	WR39088	1	EXTENSION WLDMT-HYD,60 FT	
31	WR524542	5	WASHER-.98ODX,64IDX,075RC42-50	
32	WR55495	11	NUT-LOCK FLG,3/8-16 R/B 11516	
33	6584225	2	BUMPER-RUBBER,RECESSED	
34	WR551007	1	WASHER FL 0.37 ZN REG TYPE-B	
35	WR550515	1	BOLT 0.37-16NCX 1.25 G5 ZN HHD	
36	WR602639	1	NUT 0.37-24NF HEX ZN REG NY	



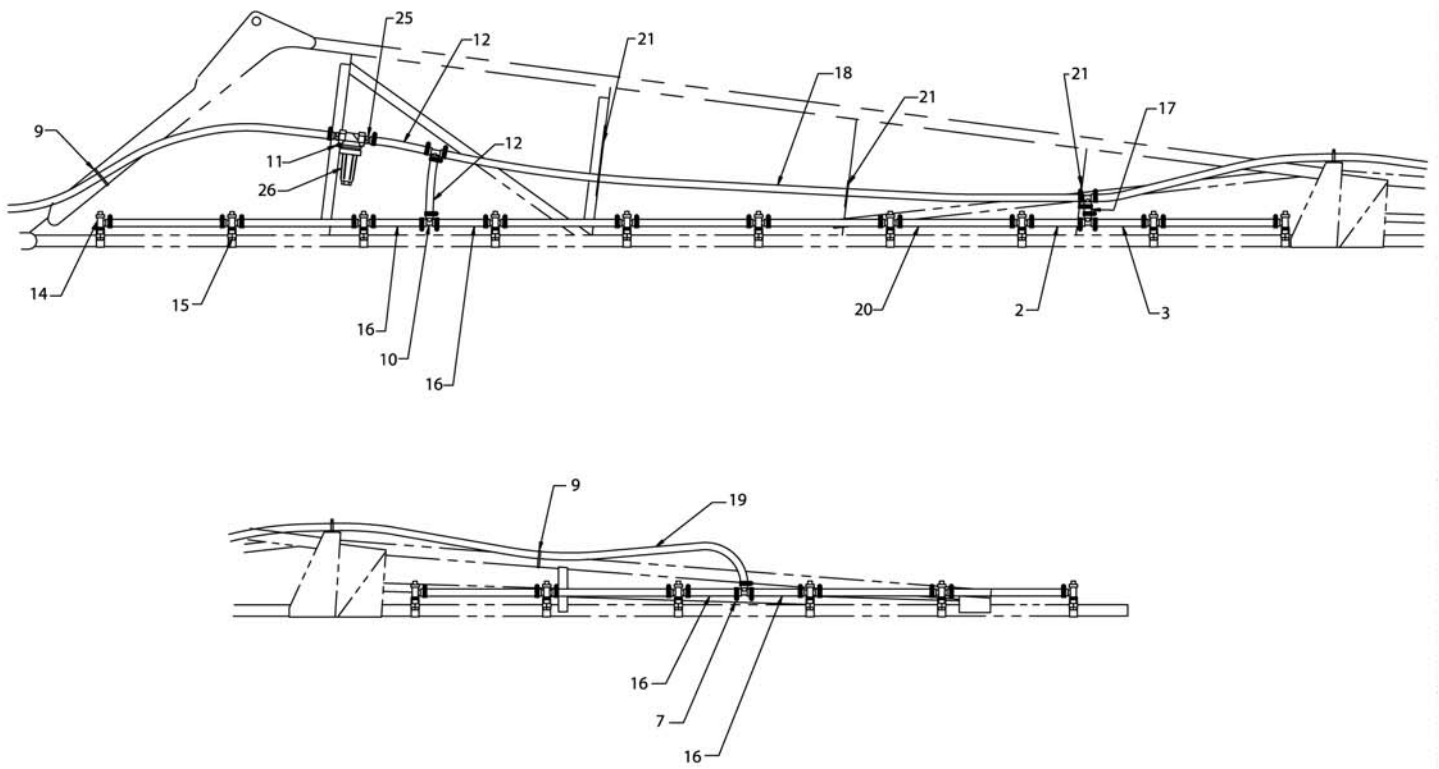
WR37521 - BOOM ASSY-LH

ITEM	PART #	QTY	DESCRIPTION	COMMENTS
0	6597190	1	HOSE	
0	WR35153	4	SCREW-MACH BTN SOCHD	
0	WR11494	4	NUT-CENTERLOCK, 1/4	
1	WR37777	1	ROUND -CR 1045, .750 DIA	
2	WR38719	1	LINK ASSY-WING FOLD,INNER	SEE PAGE 5-26
3	WR38720	1	LINK ASSY-WING FOLD,OUTER	SEE PAGE 5-27
4	6507096	1	PIN-CLEVIS	
5	6538287	2	RING-SNAP	
6	6617579	4	BUSHING-RUBBER	
7	6620417	-	RUBBER-STRIP [BULK: 0 FT]	
8	6626119	5	U-BOLT	
9	6626198	4	PAD	
10	6626401	2	BOLT-EYE	
11	6626690	1	SUPPORT-W/A	
12	6626691	1	CONDUIT	
13	6626692	1	CHAIN	
14	6659910	1	CAP	
15	6660351	1	CLAMP-SADDLE	
16	6661800	1	BUMPER-MOLDED	
17	WR39036	1	INNER BOOM WLDMT-60 FT & 80 FT ,LH	
18	WR10339	1	PIN-COTTER,1/8 X 1 1/4	
19	WR550124	4	NUT 0.50-13NC HEX ZN REG	
20	WR515180	2	WASHER 0.62 FL ZN REG G8	
21	WR550213	1	NUT 0.31-18NC HEX ZN REG	
22	WR550477	7	NUT 0.62-11NC HEX ZN REG	
23	WR551015	2	WASHER 0.31 FL ZN REG TYPE-B	
24	WR551031	2	BOLT.62-11NCX 4.00G5 ZN HHD	
25	WR55134	1	PIN-STR,COILED,3/16 X 1	
26	WR553069	1	BOLT 0.62-11NCX 5.00 G5 ZN HHD	
27	WR55355	2	NUT-TOPLOCK,5/8-11UNC G8	
28	WR561892	1	FITTING LUBE STR 0.25UNF	
29	6626011	1	TUBE-W/A SUPPORT,LH	
30	WR39088	1	EXTENSION WLDMT-HYD,60 FT	
31	WR524542	5	WASHER-.98ODX,64IDX,075RC42-50	
32	WR55495	11	NUT-LOCK FLG,3/8-16 R/B 11516	
33	6584225	2	BUMPER-RUBBER,RECESSED	
34	WR551007	1	WASHER FL 0.37 ZN REG TYPE-B	
35	WR550515	1	BOLT 0.37-16NCX 1.25 G5 ZN HHD	
36	WR602639	1	NUT 0.37-24NF HEX ZN REG NY	



WR37579 - CAB ELECTRICAL GROUP

ITEM	PART #	QTY	DESCRIPTION	COMMENTS
1	WR55852	1	DECAL-BOOM SWITCHES	
2	6647887	2	SWITCH-ELECTRIC	
3	6661253	2	SWITCH-ROCKER	
4	6802446	1	DECAL-LT,TIP FOLD	
5	6802447	1	DECAL-TIP FOLD,RH	



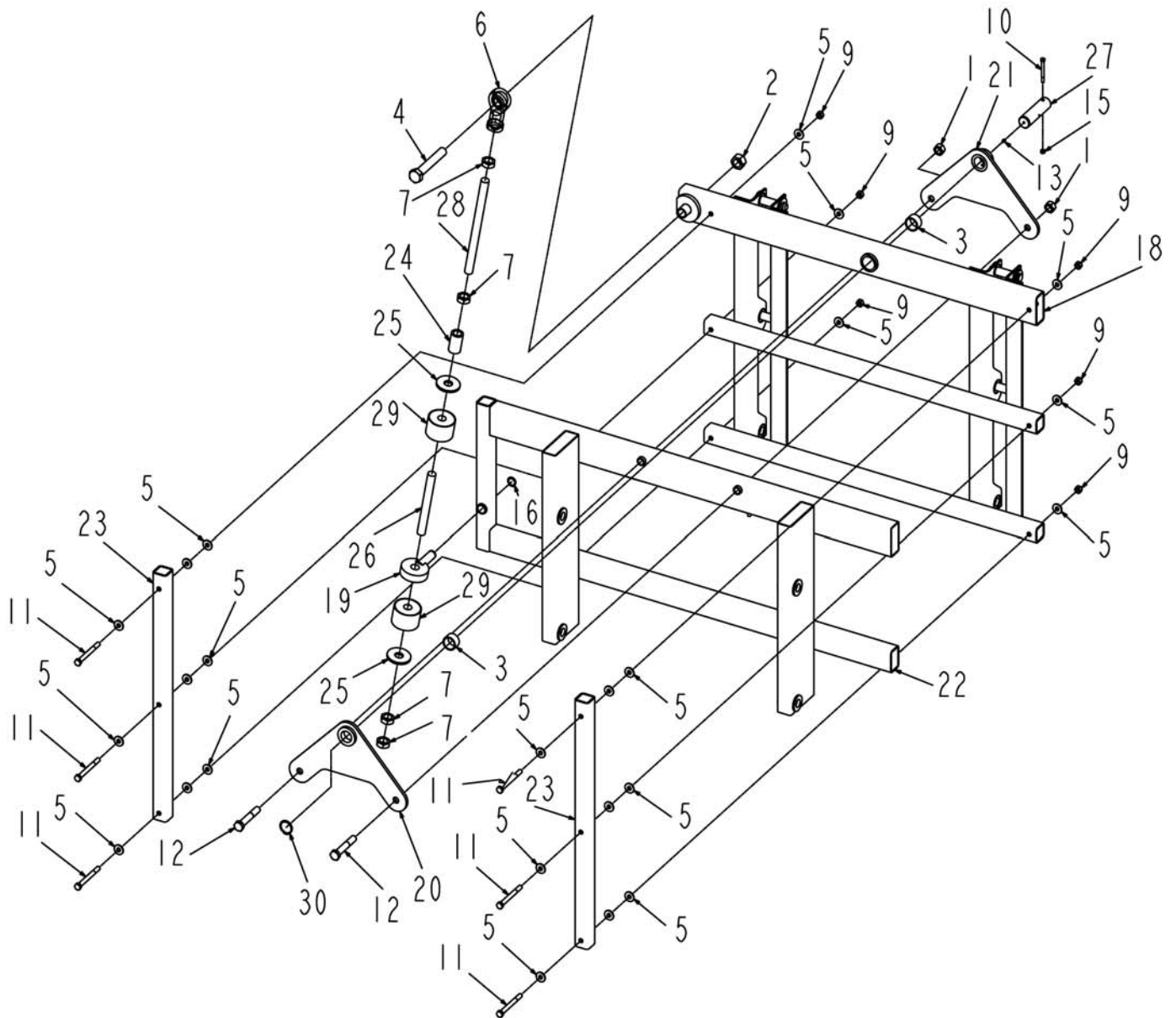
6802351 - MANIFOLD GROUP-20 IN ,SC

ITEM	PART #	QTY	DESCRIPTION	COMMENTS
0	6802352	-	INSTL-MANIFOLD	
1	WR37798	1	HOSE-0.75 X 43.00	
2	WR55592	2	HOSE MANIFOLD 11.0 IN	
3	WR55593	2	HOSE MANIFOLD 6.5 IN	
4	WR051141	2	ELBOW 90D 0.75NPTX0.50 BARB PP	
5	WR55170	37	BOLT-CARRIAGE,M6 X 60,1.0	
6	WR55293	3	CLAMP-HOSE,.91 SST	
7	WR561229	96	CLAMP 0.68-1.25 HOSE 12HS	
8	WR561230	4	CLAMP 0.81-1.75 HOSE 20HS	
9	WR562496	21	TIE CABLE 15.0 .18-4.00 BLACK	
10	6511103	10	TEE	
11	6595786	3	CLAMP-FULL CIRCLE	
12	6595825	4	HOSE	
13	6595862	1	HOSE-.51 ID 250 PSI X	
14	6596508	10	NOZZLE ASSY-SINGLE	SEE PAGE 5-16
15	6596509	27	NOZZLE ASSY-DOUBLE	SEE PAGE 5-17
16	6617492	10	HOSE	
17	6617494	2	HOSE	
18	6617495	2	HOSE	
19	6617496	2	HOSE	
20	6617498	25	HOSE	
21	6620417	-	RUBBER-STRIP [BULK: 0 FT]	
22	6626121	37	BRACKET-UPPER	
23	6626122	37	BRACKET-LOWER	
24	6630914	1	TEE	
25	6660899	6	ADAPTER-12HB/-12MP,PP	
26	6665873	3	FILTER ASSY-BOOM	SEE PAGE 5-18
27	6670124	37	NUT-FLANGE,SERRATED	
28	6661415	4	FITTING	

6802351 - MANIFOLD GROUP-20 IN ,SC

ITEM	PART #	QTY	DESCRIPTION	COMMENTS
0	6802352	-	INSTL-MANIFOLD	
1	WR37798	1	HOSE-0.75 X 43.00	
2	WR55592	2	HOSE MANIFOLD 11.0 IN	
3	WR55593	2	HOSE MANIFOLD 6.5 IN	
4	WR051141	2	ELBOW 90D 0.75NPTX0.50 BARB PP	
5	WR55170	37	BOLT-CARRIAGE,M6 X 60,1.0	
6	WR55293	3	CLAMP-HOSE,.91 SST	
7	WR561229	96	CLAMP 0.68-1.25 HOSE 12HS	
8	WR561230	4	CLAMP 0.81-1.75 HOSE 20HS	
9	WR562496	21	TIE CABLE 15.0 .18-4.00 BLACK	
10	6511103	10	TEE	
11	6595786	3	CLAMP-FULL CIRCLE	
12	6595825	4	HOSE	
13	6595862	1	HOSE-.51 ID 250 PSI X	
14	6596508	10	NOZZLE ASSY-SINGLE	SEE PAGE 5-16
15	6596509	27	NOZZLE ASSY-DOUBLE	SEE PAGE 5-17
16	6617492	10	HOSE	
17	6617494	2	HOSE	
18	6617495	2	HOSE	
19	6617496	2	HOSE	
20	6617498	25	HOSE	
21	6620417	-	RUBBER-STRIP [BULK: 0 FT]	
22	6626121	37	BRACKET-UPPER	
23	6626122	37	BRACKET-LOWER	
24	6630914	1	TEE	
25	6660899	6	ADAPTER-12HB/-12MP,PP	
26	6665873	3	FILTER ASSY-BOOM	SEE PAGE 5-18
27	6670124	37	NUT-FLANGE,SERRATED	
28	6661415	4	FITTING	

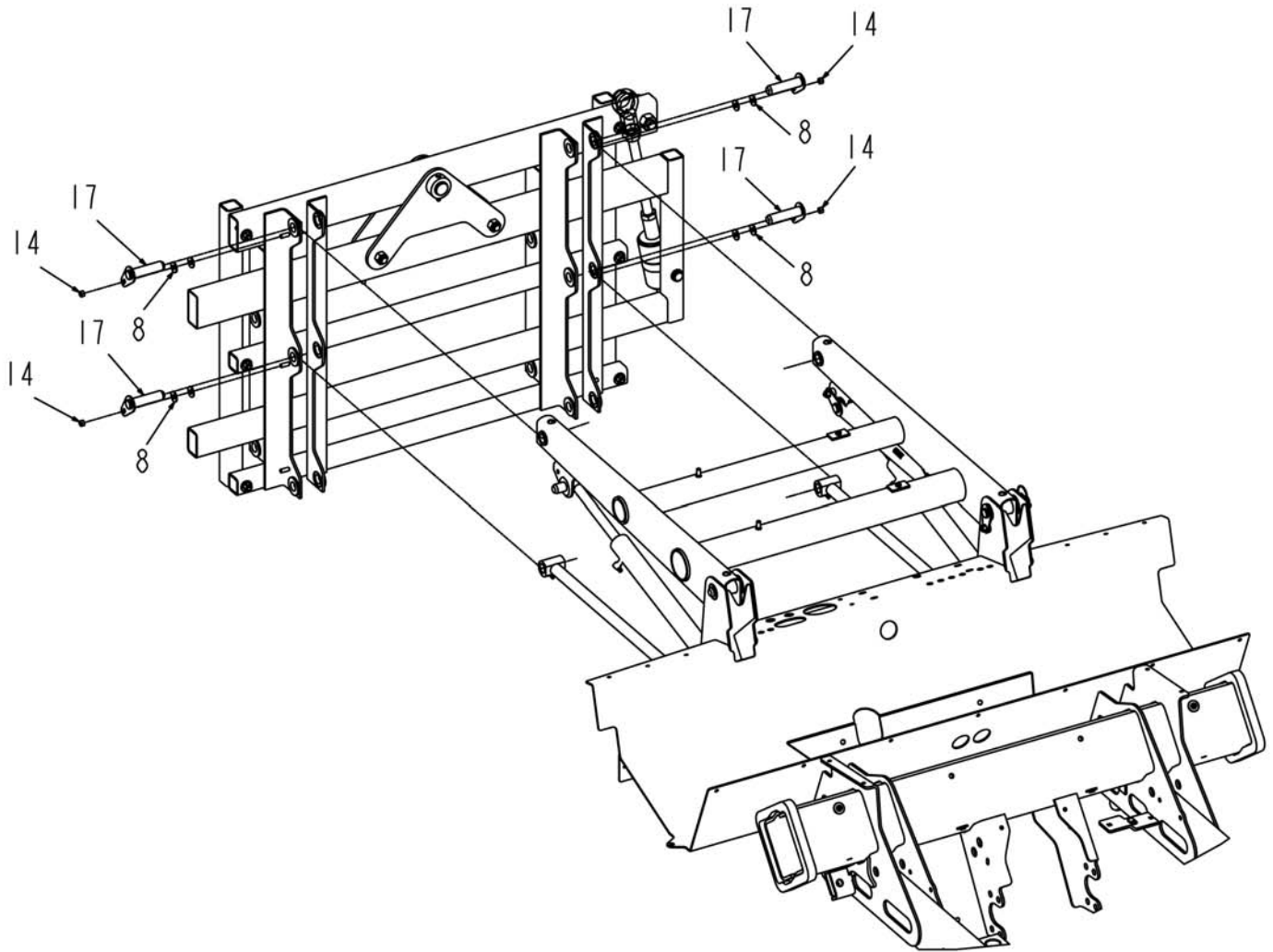
WR37476 - TILT RACK ASSEMBLY



WR37476 - TILT RACK ASSEMBLY

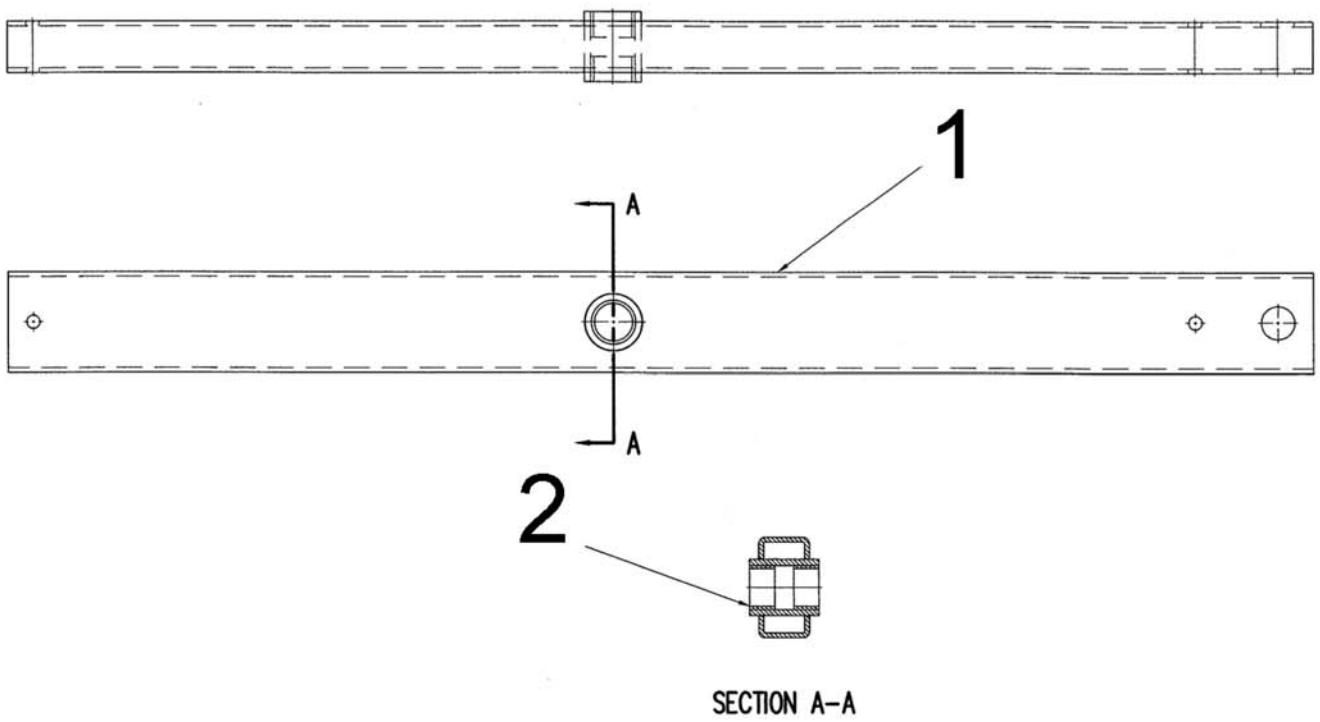
ITEM	PART #	QTY	DESCRIPTION	COMMENTS
1	WR11543	2	NUT-TOPLOCK, 3/4-10UNC G5	
2	WR11557	1	NUT-TOPLOCK, 1-12UNF G8	
3	WR16058	-	BUSHING-BRZ,1.753X1.503ID	
4	WR30334	1	SCREW-CAP HEX 1NF X 6 1/2	
5	WR31555	24	WASHER-FLAT,STD, 1/2 ID,	
6	WR34606	1	ROD-END,1-14UNF,FEMALE	
7	WR34609	4	NUT-JAM, 1-14UNF	
8	WR55158	8	WASHER-FLAT,10MM ID,	
9	WR55367	6	NUT-TOPLOCK, 1/2-13UNC G5	
10	WR550906	1	BOLT 0.31-18NCX 3.00 G5 ZN HHD	
11	WR553964	6	BOLT 0.50-13NCX 5.00 G5 ZN HHD	
12	WR561808	2	BOLT 0.75-10NCX 4.50 G5 ZN HHD	
13	WR561892	1	FITTING LUBE STR 0.25UNF	
14	WR601411	4	NUT 0.37-16NC HEX ZN REG LK NY	
15	WR601888	1	NUT 0.31-18NC HEX ZN REG NY	
16	6538286	1	RING-SNAP	
17	6618836	4	PIN-W/A	
18	WR37432	1	RACK WLDMT-BOOM TILT	
19	WR37435	1	PIVOT WLDMT-TILT CYLINDER	
20	WR37439	1	PIVOT WLDMT-BACK SIDE	
21	WR37440	1	PIVOT WLDMT-FRONT SIDE	
22	WR37447	1	PIVOTING RACK WLDMT-BOOM	
23	WR37448	2	TUBE-SQ, 2.00 X .188W X	
24	WR37449	1	BUSHING-THREADED	
25	WR37450	2	WASHER-FAB, 3.00 OD X	
26	WR37451	1	PIN-THREADED	
27	WR37452	1	PIN-PIVOT BRACKET	
28	WR37453	1	PIN-THREADED	
29	WR37454	2	CUSHION-RUBBER MT,60 DURO	
30	WR37548	1	RING-SNAP,1.50 NOM	

WR37476 - TILT RACK ASSEMBLY



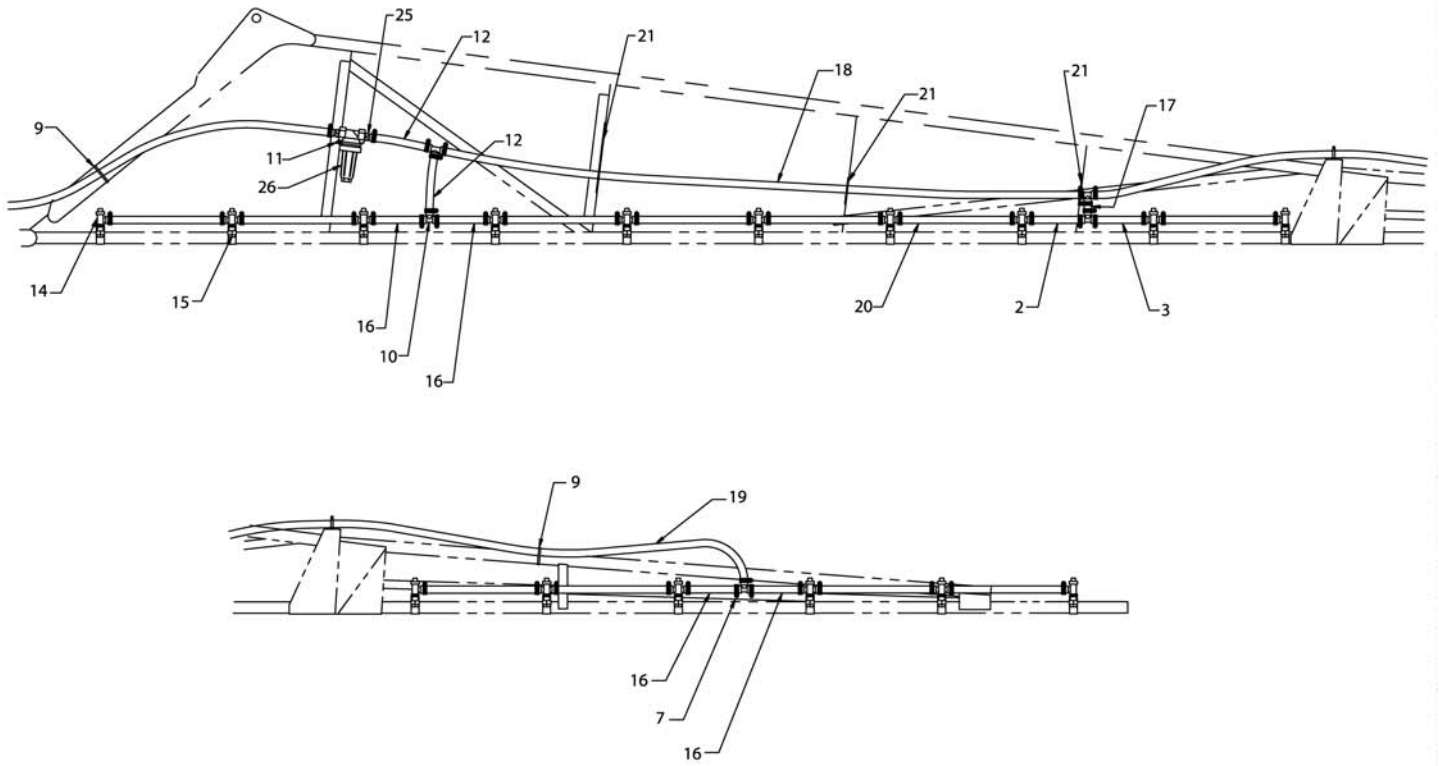
WR37476 - TILT RACK ASSEMBLY

ITEM	PART #	QTY	DESCRIPTION	COMMENTS
1	WR11543	2	NUT-TOPLOCK, 3/4-10UNC G5	
2	WR11557	1	NUT-TOPLOCK, 1-12UNF G8	
3	WR16058	-	BUSHING-BRZ,1.753X1.503ID	
4	WR30334	1	SCREW-CAP HEX 1NF X 6 1/2	
5	WR31555	24	WASHER-FLAT,STD, 1/2 ID,	
6	WR34606	1	ROD-END,1-14UNF,FEMALE	
7	WR34609	4	NUT-JAM, 1-14UNF	
8	WR55158	8	WASHER-FLAT,10MM ID,	
9	WR55367	6	NUT-TOPLOCK, 1/2-13UNC G5	
10	WR550906	1	BOLT 0.31-18NCX 3.00 G5 ZN HHD	
11	WR553964	6	BOLT 0.50-13NCX 5.00 G5 ZN HHD	
12	WR561808	2	BOLT 0.75-10NCX 4.50 G5 ZN HHD	
13	WR561892	1	FITTING LUBE STR 0.25UNF	
14	WR601411	4	NUT 0.37-16NC HEX ZN REG LK NY	
15	WR601888	1	NUT 0.31-18NC HEX ZN REG NY	
16	6538286	1	RING-SNAP	
17	6618836	4	PIN-W/A	
18	WR37432	1	RACK WLDMT-BOOM TILT	
19	WR37435	1	PIVOT WLDMT-TILT CYLINDER	
20	WR37439	1	PIVOT WLDMT-BACK SIDE	
21	WR37440	1	PIVOT WLDMT-FRONT SIDE	
22	WR37447	1	PIVOTING RACK WLDMT-BOOM	
23	WR37448	2	TUBE-SQ, 2.00 X .188W X	
24	WR37449	1	BUSHING-THREADED	
25	WR37450	2	WASHER-FAB, 3.00 OD X	
26	WR37451	1	PIN-THREADED	
27	WR37452	1	PIN-PIVOT BRACKET	
28	WR37453	1	PIN-THREADED	
29	WR37454	2	CUSHION-RUBBER MT,60 DURO	
30	WR37548	1	RING-SNAP,1.50 NOM	



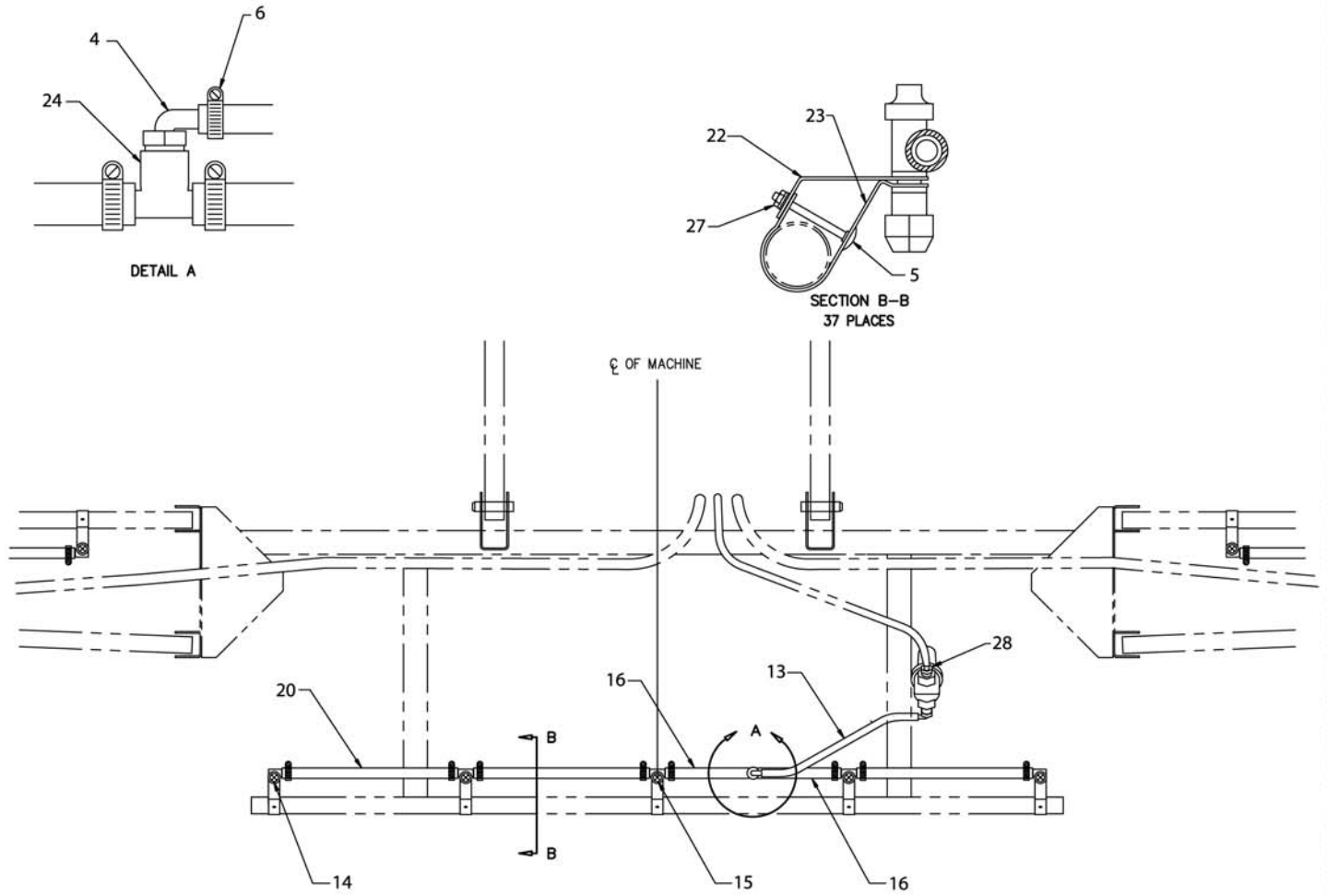
WR37776 - TUBE ASSY-RACK TILT

ITEM	PART #	QTY	DESCRIPTION	COMMENTS
1	WR37775	1	TUBE WLDMT-RACK TILT	
2	WR16058	2	BUSHING-BRZ,1.753X1.503ID	



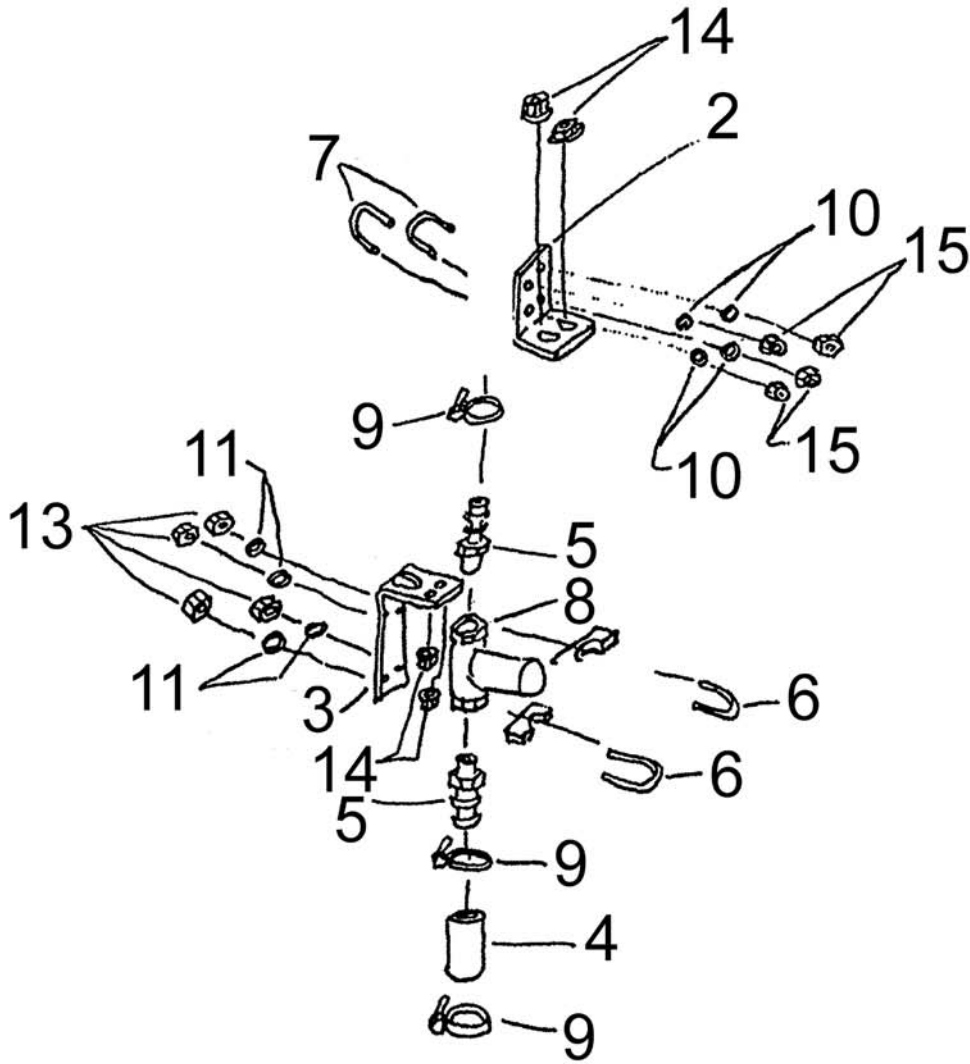
WR37484 - MANIFOLD GROUP-20, 80'

ITEM	PART #	QTY	DESCRIPTION	COMMENTS
0	WR37796	2	HOSE-0.75 2BRD EPDM	
0	WR37797	2	HOSE 0.75 X 219.00	
0	WR051142	4	ELBOW 90D 0.75NPTX0.75 BARB PP	
0	WR37799	1	HOSE-0.75 X 88.00	
1	WR37798	1	HOSE-0.75 X 43.00	
2	WR55592	2	HOSE MANIFOLD 11.0 IN	
3	WR55593	2	HOSE MANIFOLD 6.5 IN	
4	WR051141	1	ELBOW 90D 0.75NPTX0.50 BARB PP	
5	WR55170	49	BOLT-CARRIAGE,M6 X 60,1.0	
6	WR55293	2	CLAMP-HOSE,.91 SST	
7	WR561229	132	CLAMP 0.68-1.25 HOSE 12HS	
8	WR561230	8	CLAMP 0.81-1.75 HOSE 20HS	
9	WR562496	29	TIE CABLE 15.0 .18-4.00 BLACK	
10	6511103	10	TEE	
11	6595786	5	CLAMP-FULL CIRCLE	
12	6595825	4	HOSE	
13	6595862	1	HOSE-.51 ID 250 PSI X	
14	6596508	10	NOZZLE ASSY-SINGLE	SEE PAGE 5-16
15	6596509	39	NOZZLE ASSY-DOUBLE	SEE PAGE 5-17
16	6617492	14	HOSE	
17	6617494	4	HOSE	
18	6617495	4	HOSE	
19	6617496	2	HOSE	
20	6617498	35	HOSE	
22	6626121	49	BRACKET-UPPER	
23	6626122	49	BRACKET-LOWER	
24	6630914	5	TEE	
25	6660899	10	ADAPTER-12HB/-12MP,PP	
26	6665873	5	FILTER ASSY-BOOM	SEE PAGE 5-18
27	6670124	49	NUT-FLANGE,SERRATED	



WR37484 - MANIFOLD GROUP-20, 80'

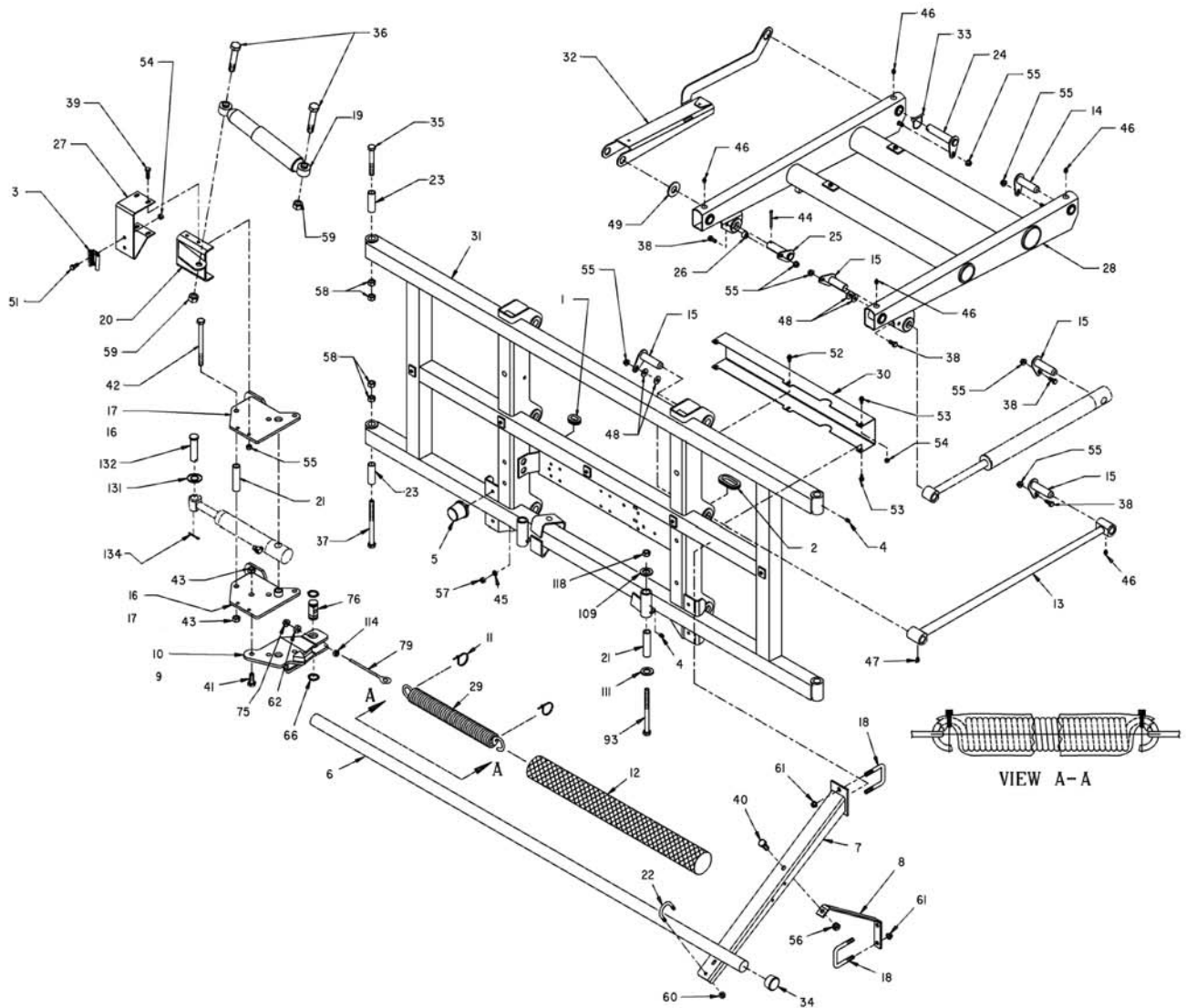
ITEM	PART #	QTY	DESCRIPTION	COMMENTS
0	WR37796	2	HOSE-0.75 2BRD EPDM	
0	WR37797	2	HOSE 0.75 X 219.00	
0	WR051142	4	ELBOW 90D 0.75NPTX0.75 BARB PP	
0	WR37799	1	HOSE-0.75 X 88.00	
1	WR37798	1	HOSE-0.75 X 43.00	
2	WR55592	2	HOSE MANIFOLD 11.0 IN	
3	WR55593	2	HOSE MANIFOLD 6.5 IN	
4	WR051141	1	ELBOW 90D 0.75NPTX0.50 BARB PP	
5	WR55170	49	BOLT-CARRIAGE,M6 X 60,1.0	
6	WR55293	2	CLAMP-HOSE,.91 SST	
7	WR561229	132	CLAMP 0.68-1.25 HOSE 12HS	
8	WR561230	8	CLAMP 0.81-1.75 HOSE 20HS	
9	WR562496	29	TIE CABLE 15.0 .18-4.00 BLACK	
10	6511103	10	TEE	
11	6595786	5	CLAMP-FULL CIRCLE	
12	6595825	4	HOSE	
13	6595862	1	HOSE-.51 ID 250 PSI X	
14	6596508	10	NOZZLE ASSY-SINGLE	SEE PAGE 5-16
15	6596509	39	NOZZLE ASSY-DOUBLE	SEE PAGE 5-17
16	6617492	14	HOSE	
17	6617494	4	HOSE	
18	6617495	4	HOSE	
19	6617496	2	HOSE	
20	6617498	35	HOSE	
22	6626121	49	BRACKET-UPPER	
23	6626122	49	BRACKET-LOWER	
24	6630914	5	TEE	
25	6660899	10	ADAPTER-12HB/-12MP,PP	
26	6665873	5	FILTER ASSY-BOOM	SEE PAGE 5-18
27	6670124	49	NUT-FLANGE,SERRATED	



WR37503 - SPRAY SYSTEM ASSY-5 VALVE

ITEM	PART #	QTY	DESCRIPTION	COMMENTS
1	WR55582	2	U-BOLT,DRAWBAR	
2	WR55859	1	MOUNT-HOSE	
3	WR55860	1	MOUNT-FLOW CONTROL VALVE	
4	WR55865	1	HOSE-NONE(2)-20XPLE X 089	
5	WR051183	2	BARB-HOSE,1.00MNPTX1.25BARB,PP	
6	WR657904	2	CLAMP-CIRCLE,FULL	
7	6626119	4	U-BOLT	
8	6632184	1	VALVE-PRESSURE,CONTROL	SEE PAGE 5-5
9	WR32739	4	CLAMP-HOSE,T BOLT,1 3/4	
10	WR550191	8	WASHER LK 0.37 ZN REG	
11	WR550493	8	WASHER LK 0.25 ZN REG	
12	WR550507	8	WASHER FL 0.25 ZN REG TYPE-B	
13	WR550612	8	NUT 0.25-20NC HEX ZN REG	
14	WR55301	4	NUT-FLANGE,M10 X 1.5,PREV	
15	WR601411	8	NUT 0.37-16NC HEX ZN REG LK NY	

WR37519 - BOOM GROUP-80' HYD FOLD

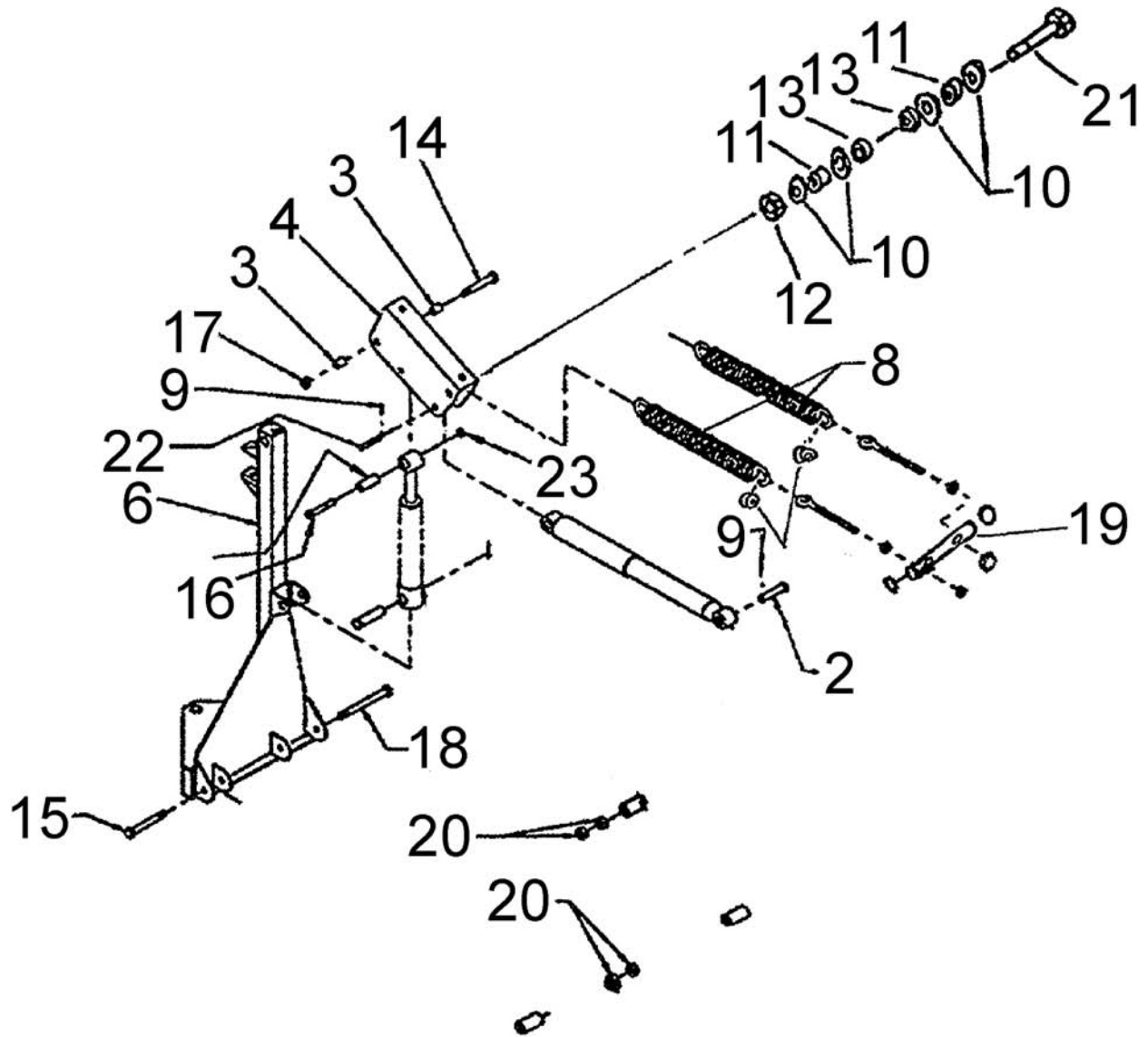


WR37519 - BOOM GROUP-80' HYD FOLD

ITEM	PART #	QTY	DESCRIPTION	COMMENTS
0	WR37489	1	BOOM ASSY-RH,80' HYD	SEE PAGE 5-37
0	WR37490	1	BOOM ASSY-LH,80' HYD	SEE PAGE 5-39
0	WR37580	2	PIN-SPRING PIVOT	
0	WR37895	1	COVER-ELECTRICAL	
0	WR029298	8	BOLT M10-1.50X 35MM G8.8 ZN HH	
0	WR121622	1	SPRING, ASSY	
0	6804644	1	BAG-PARTS	SEE PAGE 4-18
0	WR50851	6	NUT-SPEED,1/4-20	
0	WR515180	2	WASHER 0.62 FL ZN REG G8	
0	WR520885	4	NUT-.38-16,G5,ZN,FLG,H	
0	WR550124	2	NUT 0.50-13NC HEX ZN REG	
0	6804076	2	BOLT-SUSPENSION	
0	WR550310	2	WASHER 0.62 FL ZN REG TYPE-B	
0	WR550477	12	NUT 0.62-11NC HEX ZN REG	
0	WR55058	2	SCREW-CAP HEX M16 X 40	
0	6802165	-	INSTL-BOOM	
0	6618836	4	PIN-W/A	
0	WR55153	2	SCREW-CAP HEX 5/8 NC X	
0	WR562375	2	BOLT M12-1.75X 25MM G8.8 ZN HH	
0	WR561892	6	FITTING LUBE STR 0.25UNF	
0	WR551856	4	WASHER1.00FL ZN SAE TYPE-A	
0	WR55495	4	NUT-LOCK FLG,3/8-16 R/B 11516	
0	WR55255	6	SCREW-HEX FLG,.25NCX.625 GR5	
0	WR55355	4	NUT-TOPLOCK,5/8-11UNC G8	
0	WR55372	8	NUT-LOCK FLANGE, 1/2-13NC	
1	WR731972	6	GROMMET	
2	6533975	1	GROMMET	
3	6519752	1	SOCKET	
5	6530360	4	BUMPER-RUBBER	
6	6617585	1	TUBE-BOOM,CNTR	
7	6617765	2	BRACKET-W/A	
8	6617780	2	SUPPORT	
9	6802790	1	LEVER-W/A,LH	
10	6802789	1	LEVER-W/A,RH	
16	6618840	2	PIVOT-W/A	
17	6618841	2	PIVOT WLDMT-BOOM CUSHION	
18	6620133	4	U-BOLT SQUARE,1/2 NC	
19	6623263	2	SHOCK ABSORBER-BOOM	
20	6624680	2	MOUNT-WLDMT,SHOCK	
21	6624692	4	SLEEVE	
22	6626119	2	U-BOLT	
27	6626929	1	BRACKET	
31	6802250	1	BOOM-CENTER FRAME,W/A	
34	6659910	2	CAP	
35	WR552046	2	BOLT.62-11NCX4.50G5 ZN HHD	
36	WR553689	2	BOLT 0.75-10NCX 3.00 G5 ZN HHD	
42	WR55068	2	SCREW-CAP HEX M16 X 150	
43	WR562799	4	NUT HEX M16 X 2.00	
45	WR550191	4	WASHER LK 0.37 ZN REG	
48	WR55158	4	WASHER-FLAT,10MM ID,	
51	WR55172	2	BOLT-CARRIAGE,M8 X 20,	
57	WR550825	4	NUT 0.37-16NC HEX ZN REG	
58	WR35152	4	NUT-TOPLOCK3/4-10UNC G8 "ADAM"	
66	6538287	4	RING-SNAP	
78	6626399	2	PIN	

WR37519 - BOOM GROUP-80' HYD FOLD

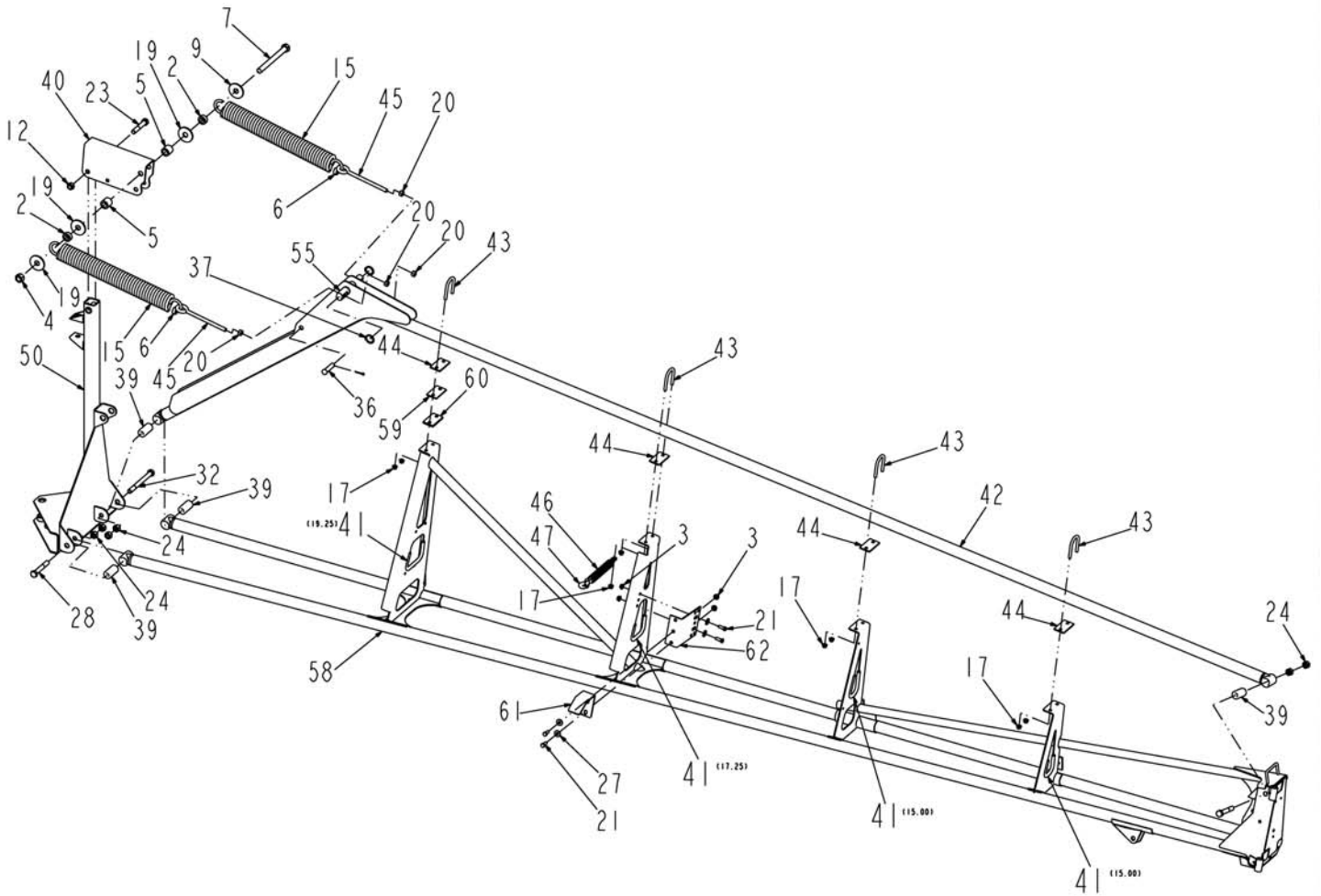
ITEM	PART #	QTY	DESCRIPTION	COMMENTS
0	WR37489	1	BOOM ASSY-RH,80' HYD	SEE PAGE 5-37
0	WR37490	1	BOOM ASSY-LH,80' HYD	SEE PAGE 5-39
0	WR37580	2	PIN-SPRING PIVOT	
0	WR37895	1	COVER-ELECTRICAL	
0	WR029298	8	BOLT M10-1.50X 35MM G8.8 ZN HH	
0	WR121622	1	SPRING, ASSY	
0	6804644	1	BAG-PARTS	SEE PAGE 4-18
0	WR50851	6	NUT-SPEED,1/4-20	
0	WR515180	2	WASHER 0.62 FL ZN REG G8	
0	WR520885	4	NUT-.38-16,G5,ZN,FLG,H	
0	WR550124	2	NUT 0.50-13NC HEX ZN REG	
0	6804076	2	BOLT-SUSPENSION	
0	WR550310	2	WASHER 0.62 FL ZN REG TYPE-B	
0	WR550477	12	NUT 0.62-11NC HEX ZN REG	
0	WR55058	2	SCREW-CAP HEX M16 X 40	
0	6802165	-	INSTL-BOOM	
0	6618836	4	PIN-W/A	
0	WR55153	2	SCREW-CAP HEX 5/8 NC X	
0	WR562375	2	BOLT M12-1.75X 25MM G8.8 ZN HH	
0	WR561892	6	FITTING LUBE STR 0.25UNF	
0	WR551856	4	WASHER1.00FL ZN SAE TYPE-A	
0	WR55495	4	NUT-LOCK FLG,3/8-16 R/B 11516	
0	WR55255	6	SCREW-HEX FLG,.25NCX.625 GR5	
0	WR55355	4	NUT-TOPLOCK,5/8-11UNC G8	
0	WR55372	8	NUT-LOCK FLANGE, 1/2-13NC	
1	WR731972	6	GROMMET	
2	6533975	1	GROMMET	
3	6519752	1	SOCKET	
5	6530360	4	BUMPER-RUBBER	
6	6617585	1	TUBE-BOOM,CNTR	
7	6617765	2	BRACKET-W/A	
8	6617780	2	SUPPORT	
9	6802790	1	LEVER-W/A,LH	
10	6802789	1	LEVER-W/A,RH	
16	6618840	2	PIVOT-W/A	
17	6618841	2	PIVOT WLDMT-BOOM CUSHION	
18	6620133	4	U-BOLT SQUARE,1/2 NC	
19	6623263	2	SHOCK ABSORBER-BOOM	
20	6624680	2	MOUNT-WLDMT,SHOCK	
21	6624692	4	SLEEVE	
22	6626119	2	U-BOLT	
27	6626929	1	BRACKET	
31	6802250	1	BOOM-CENTER FRAME,W/A	
34	6659910	2	CAP	
35	WR552046	2	BOLT.62-11NCX4.50G5 ZN HHD	
36	WR553689	2	BOLT 0.75-10NCX 3.00 G5 ZN HHD	
42	WR55068	2	SCREW-CAP HEX M16 X 150	
43	WR562799	4	NUT HEX M16 X 2.00	
45	WR550191	4	WASHER LK 0.37 ZN REG	
48	WR55158	4	WASHER-FLAT,10MM ID,	
51	WR55172	2	BOLT-CARRIAGE,M8 X 20,	
57	WR550825	4	NUT 0.37-16NC HEX ZN REG	
58	WR35152	4	NUT-TOPLOCK3/4-10UNC G8 "ADAM"	
66	6538287	4	RING-SNAP	
78	6626399	2	PIN	



WR37489 - BOOM ASSY-RH,80' HYD

ITEM	PART #	QTY	DESCRIPTION	COMMENTS
0	6505054	1	PIN-HINGE,3/4 X 3	
0	WR18672	2	COLLAR-SET, 1/2 ID	
1	WR37491	1	BOOM ASSY-RH	SEE PAGE 5-38
2	6507096	1	PIN-CLEVIS	
3	6613050	2	BUSHING-OILITE	
4	6617582	1	BELLCRANK-W/A	
5	6664598	1	SHOCK-DAMPER	
6	6802718	1	HINGE-W/A,RH	
7	WR122553	2	SPRING-BOOM (REPLACES WR55982)	
9	WR10339	2	PIN-COTTER,1/8 X 1 1/4	
10	WR550116	4	WASHER 0.75 FL ZN REG TYPE-B	
11	WR10896	2	TUBE-RM, 1.31 OD X.250W X	
12	WR11546	1	NUT-TOPLOCK, 3/4-16UNF G5	
13	WR17220	2	TUBE-RM, 1.31 OD X.250W X	
14	WR550469	1	BOLT 0.62-11NCX 3.50 G5 ZN HHD	
15	WR551031	1	BOLT.62-11NCX 4.00G5 ZN HHD	
16	WR553212	1	BOLT 0.50-13NCX 3.25 G5 ZN HHD	
17	WR55355	1	NUT-TOPLOCK,5/8-11UNC G8	
18	WR559199	1	BOLT 0.62-11NCX 6.50 G5 ZN HHD	
21	WR553646	1	BOLT 0.75-10NCX 8.50 G5 ZN HHD	
22	6633446	1	PIN-CLEVIS	

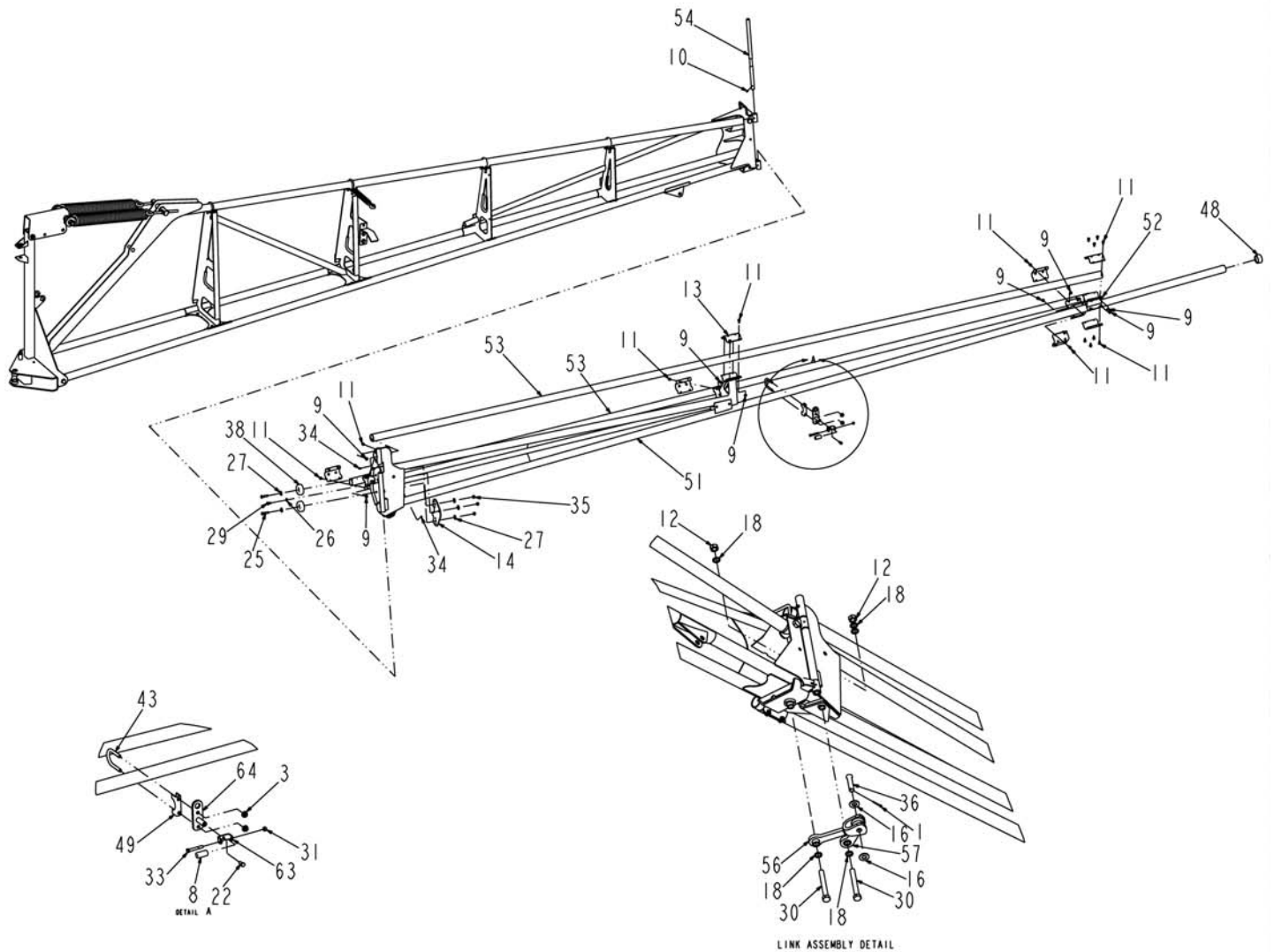
WR37491 - BOOM ASSY-RH



WR37491 - BOOM ASSY-RH

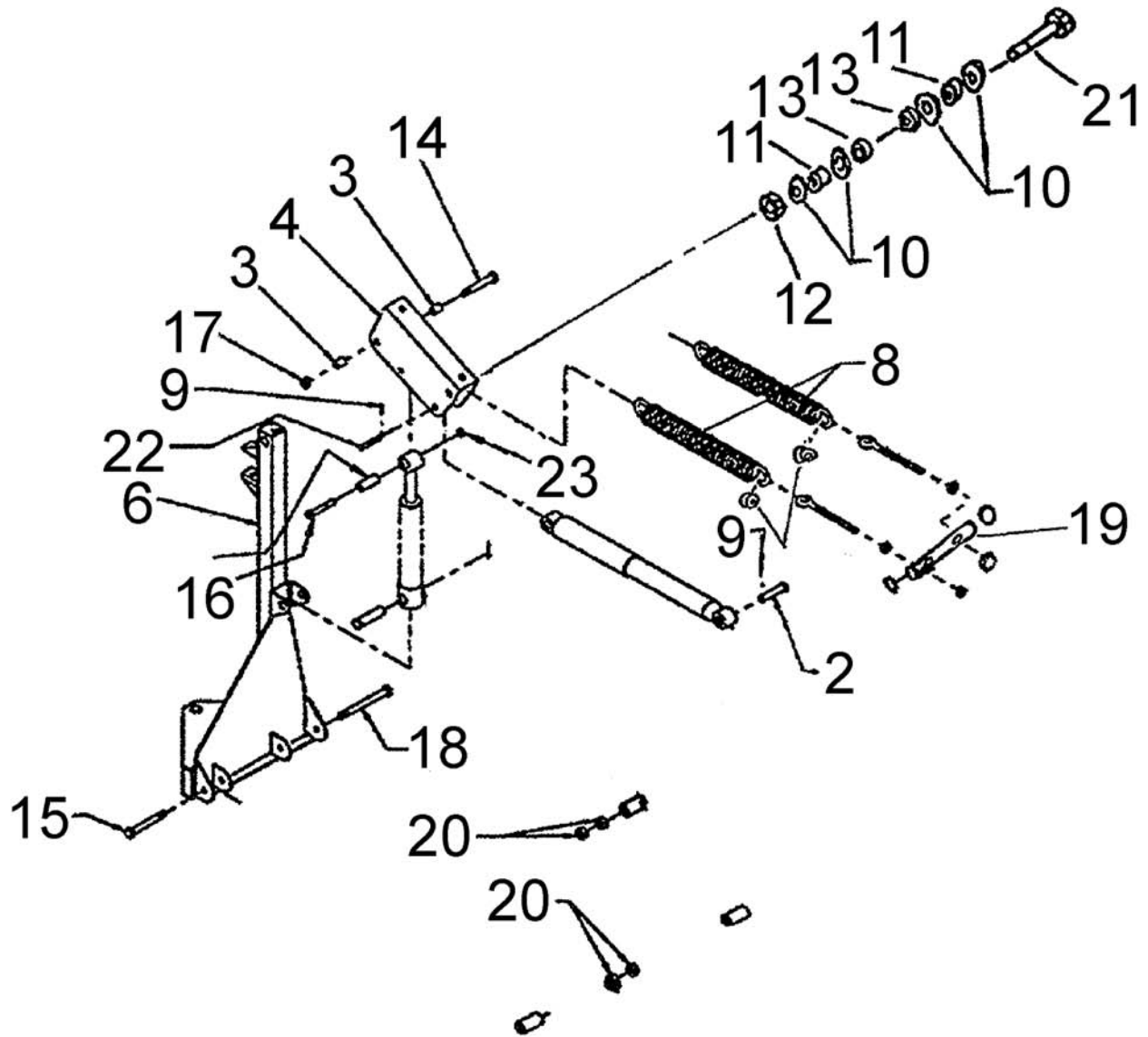
ITEM	PART #	QTY	DESCRIPTION	COMMENTS
0	WR55383	1	NUT-LOCK,3/4-16UNF G5	
0	WR551015	1	WASHER 0.31 FL ZN REG TYPE-B	
0	WR520885	11	NUT-.38-16,G5,ZN,FLG,H	
1	WR10339	1	PIN-COTTER,1/8 X 1 1/4	
3	WR11515	4	NUT-FLANGE, 3/8 NC	
5	WR17220	2	TUBE-RM, 1.31 OD X.250W X	
7	WR21845	1	SCREW-CAP HEX 3/4 NC X 8	
8	WR25293	1	TUBE-NYLON,LATCH STOP	
9	WR029161	32	NUT 0.25-20NC HX ZN WHIZ LK(D)	
10	WR55134	1	PIN-STR,COILED,3/16 X 1	
11	WR55255	32	SCREW-HEX FLG,.25NCX.625 GR5	
12	WR55355	5	NUT-TOPLOCK,5/8-11UNC G8	
13	WR120567	7	CLAMP-TUBE, 1.75 OD	
14	WR122322	1	PLATE-BACKING,BOOM HINGE	
16	WR515180	2	WASHER 0.62 FL ZN REG G8	
18	WR524542	5	WASHER-.98ODX.64IDX.075RC42-50	
19	WR550116	4	WASHER 0.75 FL ZN REG TYPE-B	
20	WR550124	4	NUT 0.50-13NC HEX ZN REG	
21	WR550175	4	BOLT 0.37-16NCX 1.00 G5 ZN HHD	
22	WR550183	1	BOLT 0.31-18NCX 0.75 G5 ZN HHD	
24	WR11531	6	R/B 550477	
24	WR550477	6	NUT 0.62-11NC HEX ZN REG	
25	WR550779	2	BOLT 0.37-16NCX 1.50 G5 ZN HHD	
26	WR550981	4	WASHER 0.37 FL ZN SAE TYPE-A	
27	WR551007	6	WASHER FL 0.37 ZN REG TYPE-B	
28	WR551031	2	BOLT.62-11NCX 4.00G5 ZN HHD	
29	WR551503	1	BOLT 0.37-16NCX 0.75 G5 ZN HHD	
30	WR553069	1	BOLT 0.62-11NCX 5.00 G5 ZN HHD	
31	WR557668	1	NUT 0.31-18NC HEX ZN C-LK	
33	WR561251	1	BOLT 0.31-18NCX 2.25 G5 ZN HHD	
34	WR561892	2	FITTING LUBE STR 0.25UNF	
35	WR601411	3	NUT 0.37-16NC HEX ZN REG LK NY	
36	6507096	1	PIN-CLEVIS	
37	6538287	2	RING-SNAP	
38	6584225	2	BUMPER-RUBBER,RECESSED	
39	6617579	4	BUSHING-RUBBER	
41	6620417	-	RUBBER-STRIP [BULK: 0 FT]	
42	6626010	1	TUBE-W/A SUPPORT,RH	
43	6626119	5	U-BOLT	
44	6626198	4	PAD	
45	6626401	2	BOLT-EYE	
46	6626691	1	CONDUIT	
47	6626692	1	CHAIN	
48	6659910	1	CAP	
49	6660351	1	CLAMP-SADDLE	
51	WR37461	1	EXTENSION WLDMT-80 FT , RH	
52	WR37463	2	CLAMP WLDMT	
54	WR37534	1	ROUND-CR 1045,.750 DIA. X	
54	WR37483	2	TUBE-BOOM,FIBERGLASS 1/8x	
55	WR37574	1	PIN-SPRING,MOUNT	
56	WR38719	1	LINK ASSY-WING FOLD,INNER	SEE PAGE 5-26
57	WR38720	1	LINK ASSY-WING FOLD,OUTER	SEE PAGE 5-27
58	WR39035	1	INNER BOOM WLDMT-60 FT & 80 FT ,RH	
59	WR39039	2	RECT-HRS,.134 X 1.77 X 3.15	
60	WR39040	2	RECT-HRS,.250X1.77X3.15	
61	WR55988	1	RAMP-BOOM CATCH	
62	WR55990	1	BRACKET-RAMP	
63	WR55992	1	BRACKET-ROLLER	
64	WR55993	1	SUPPORT W/A-ROLLER	

WR37491 - BOOM ASSY-RH



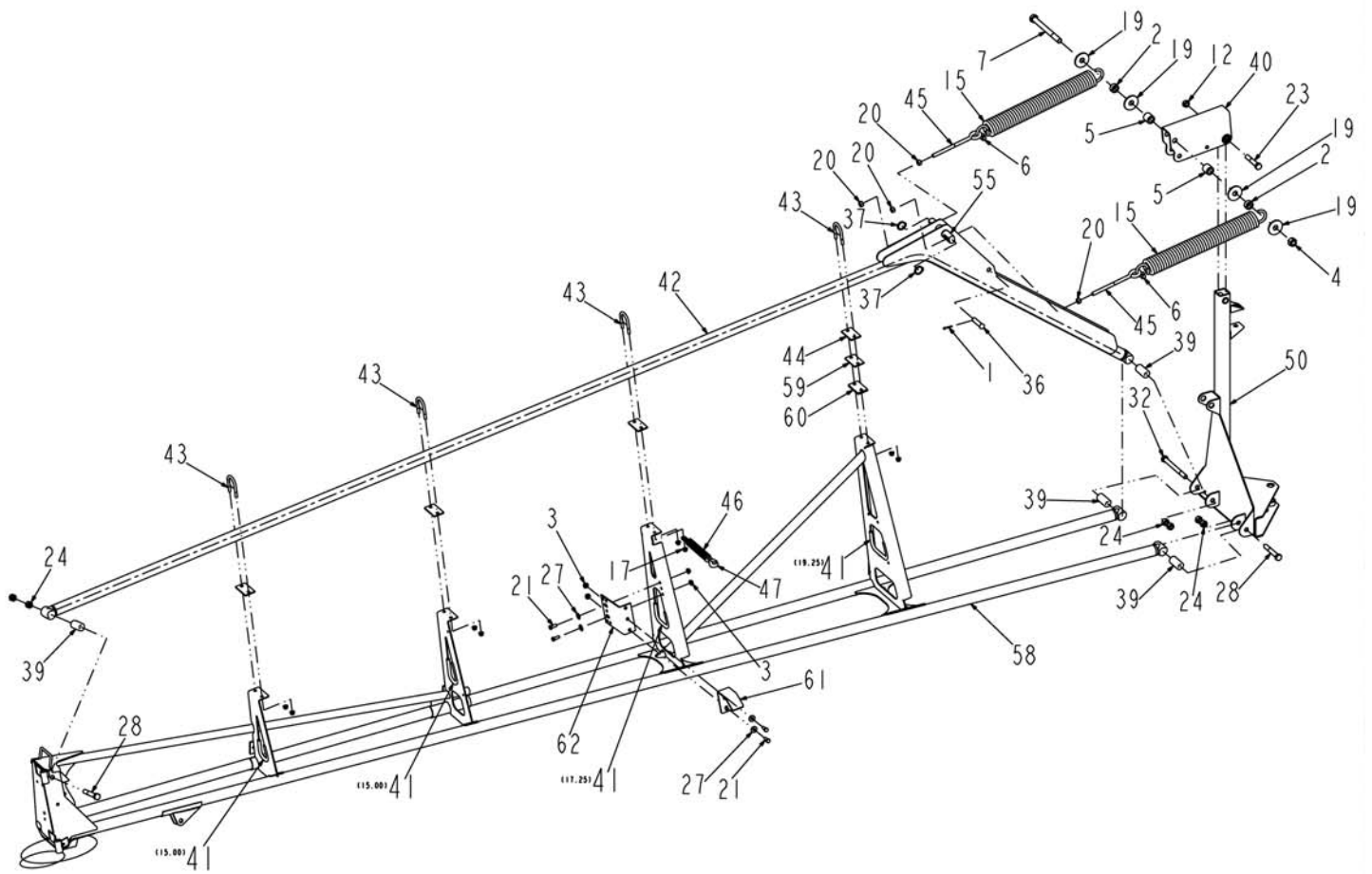
WR37491 - BOOM ASSY-RH

ITEM	PART #	QTY	DESCRIPTION	COMMENTS
0	WR55383	1	NUT-LOCK,3/4-16UNF G5	
0	WR551015	1	WASHER 0.31 FL ZN REG TYPE-B	
0	WR520885	11	NUT-.38-16,G5,ZN,FLG,H	
1	WR10339	1	PIN-COTTER,1/8 X 1 1/4	
3	WR11515	4	NUT-FLANGE, 3/8 NC	
5	WR17220	2	TUBE-RM, 1.31 OD X.250W X	
7	WR21845	1	SCREW-CAP HEX 3/4 NC X 8	
8	WR25293	1	TUBE-NYLON,LATCH STOP	
9	WR029161	32	NUT 0.25-20NC HX ZN WHIZ LK(D)	
10	WR55134	1	PIN-STR,COILED,3/16 X 1	
11	WR55255	32	SCREW-HEX FLG,.25NCX.625 GR5	
12	WR55355	5	NUT-TOPLOCK,5/8-11UNC G8	
13	WR120567	7	CLAMP-TUBE, 1.75 OD	
14	WR122322	1	PLATE-BACKING,BOOM HINGE	
16	WR515180	2	WASHER 0.62 FL ZN REG G8	
18	WR524542	5	WASHER-.98ODX.64IDX.075RC42-50	
19	WR550116	4	WASHER 0.75 FL ZN REG TYPE-B	
20	WR550124	4	NUT 0.50-13NC HEX ZN REG	
21	WR550175	4	BOLT 0.37-16NCX 1.00 G5 ZN HHD	
22	WR550183	1	BOLT 0.31-18NCX 0.75 G5 ZN HHD	
24	WR11531	6	R/B 550477	
24	WR550477	6	NUT 0.62-11NC HEX ZN REG	
25	WR550779	2	BOLT 0.37-16NCX 1.50 G5 ZN HHD	
26	WR550981	4	WASHER 0.37 FL ZN SAE TYPE-A	
27	WR551007	6	WASHER FL 0.37 ZN REG TYPE-B	
28	WR551031	2	BOLT.62-11NCX 4.00G5 ZN HHD	
29	WR551503	1	BOLT 0.37-16NCX 0.75 G5 ZN HHD	
30	WR553069	1	BOLT 0.62-11NCX 5.00 G5 ZN HHD	
31	WR557668	1	NUT 0.31-18NC HEX ZN C-LK	
33	WR561251	1	BOLT 0.31-18NCX 2.25 G5 ZN HHD	
34	WR561892	2	FITTING LUBE STR 0.25UNF	
35	WR601411	3	NUT 0.37-16NC HEX ZN REG LK NY	
36	6507096	1	PIN-CLEVIS	
37	6538287	2	RING-SNAP	
38	6584225	2	BUMPER-RUBBER,RECESSED	
39	6617579	4	BUSHING-RUBBER	
41	6620417	-	RUBBER-STRIP [BULK: 0 FT]	
42	6626010	1	TUBE-W/A SUPPORT,RH	
43	6626119	5	U-BOLT	
44	6626198	4	PAD	
45	6626401	2	BOLT-EYE	
46	6626691	1	CONDUIT	
47	6626692	1	CHAIN	
48	6659910	1	CAP	
49	6660351	1	CLAMP-SADDLE	
51	WR37461	1	EXTENSION WLDMT-80 FT , RH	
52	WR37463	2	CLAMP WLDMT	
54	WR37534	1	ROUND-CR 1045,.750 DIA. X	
54	WR37483	2	TUBE-BOOM,FIBERGLASS 1/8x	
55	WR37574	1	PIN-SPRING,MOUNT	
56	WR38719	1	LINK ASSY-WING FOLD,INNER	SEE PAGE 5-26
57	WR38720	1	LINK ASSY-WING FOLD,OUTER	SEE PAGE 5-27
58	WR39035	1	INNER BOOM WLDMT-60 FT & 80 FT ,RH	
59	WR39039	2	RECT-HRS,.134 X 1.77 X 3.15	
60	WR39040	2	RECT-HRS,.250X1.77X3.15	
61	WR55988	1	RAMP-BOOM CATCH	
62	WR55990	1	BRACKET-RAMP	
63	WR55992	1	BRACKET-ROLLER	
64	WR55993	1	SUPPORT W/A-ROLLER	



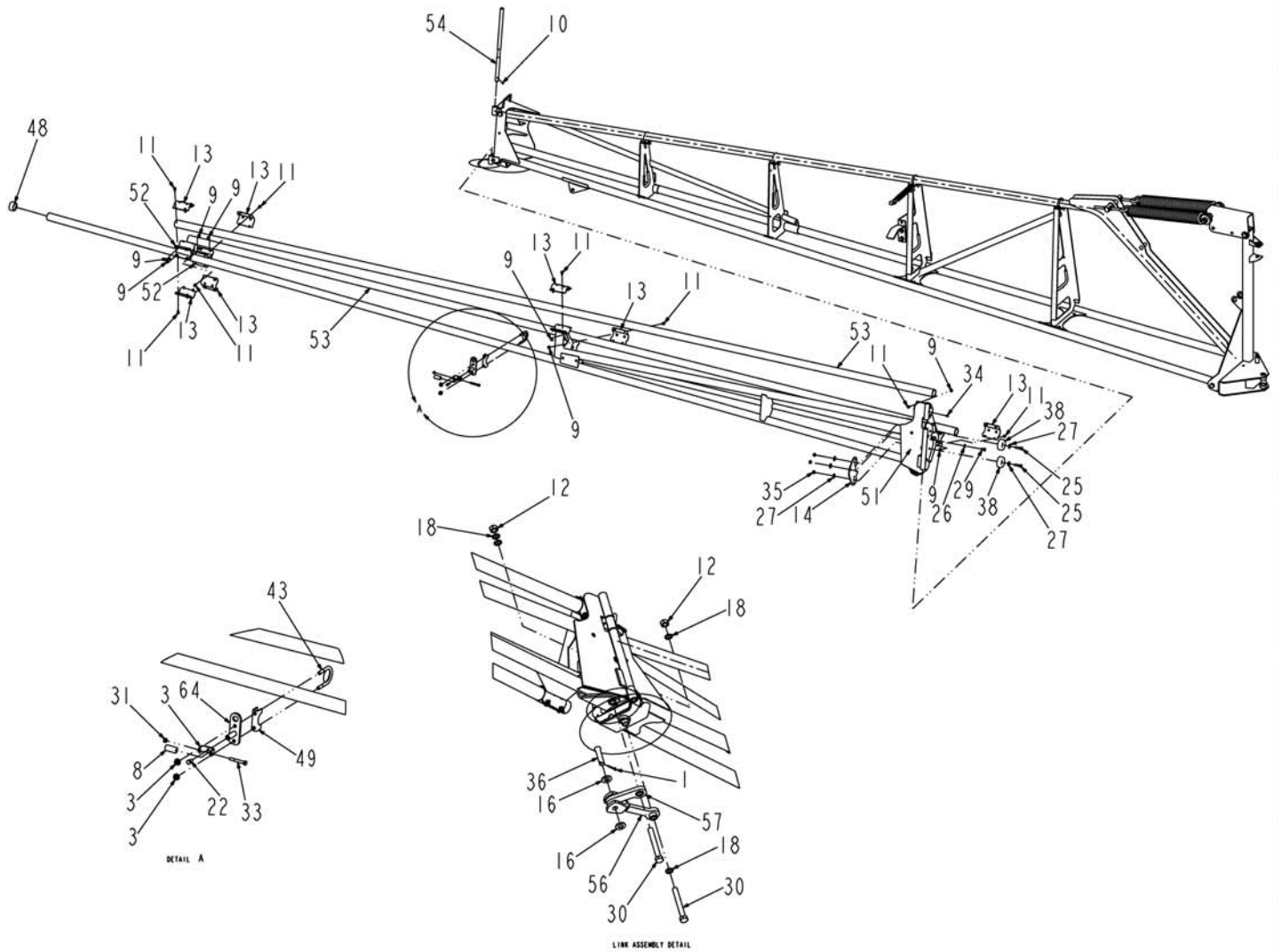
WR37490 - BOOM ASSY-LH,80' HYD

ITEM	PART #	QTY	DESCRIPTION	COMMENTS
0	6505054	1	PIN-HINGE,3/4 X 3	
0	WR18672	2	COLLAR-SET, 1/2 ID	
1	WR37492	1	BOOM ASSY-LH	SEE PAGE 5-40
2	6507096	1	PIN-CLEVIS	
3	6613050	2	BUSHING-OILITE	
4	6617582	1	BELLCRANK-W/A	
5	6664598	1	SHOCK-DAMPER	
6	6802717	1	HINGE-W/A,LH	
8	WR122553	2	SPRING-BOOM (REPLACES WR55982)	
9	WR10339	2	PIN-COTTER,1/8 X 1 1/4	
10	WR550116	4	WASHER 0.75 FL ZN REG TYPE-B	
11	WR10896	2	TUBE-RM, 1.31 OD X.250W X	
12	WR11546	1	NUT-TOPLOCK, 3/4-16UNF G5	
13	WR17220	2	TUBE-RM, 1.31 OD X.250W X	
14	WR550469	1	BOLT 0.62-11NCX 3.50 G5 ZN HHD	
15	WR551031	1	BOLT.62-11NCX 4.00G5 ZN HHD	
16	WR553212	1	BOLT 0.50-13NCX 3.25 G5 ZN HHD	
17	WR55355	1	NUT-TOPLOCK,5/8-11UNC G8	
18	WR559199	1	BOLT 0.62-11NCX 6.50 G5 ZN HHD	
21	WR553646	1	BOLT 0.75-10NCX 8.50 G5 ZN HHD	
22	6633446	1	PIN-CLEVIS	



WR37492 - BOOM ASSY-LH

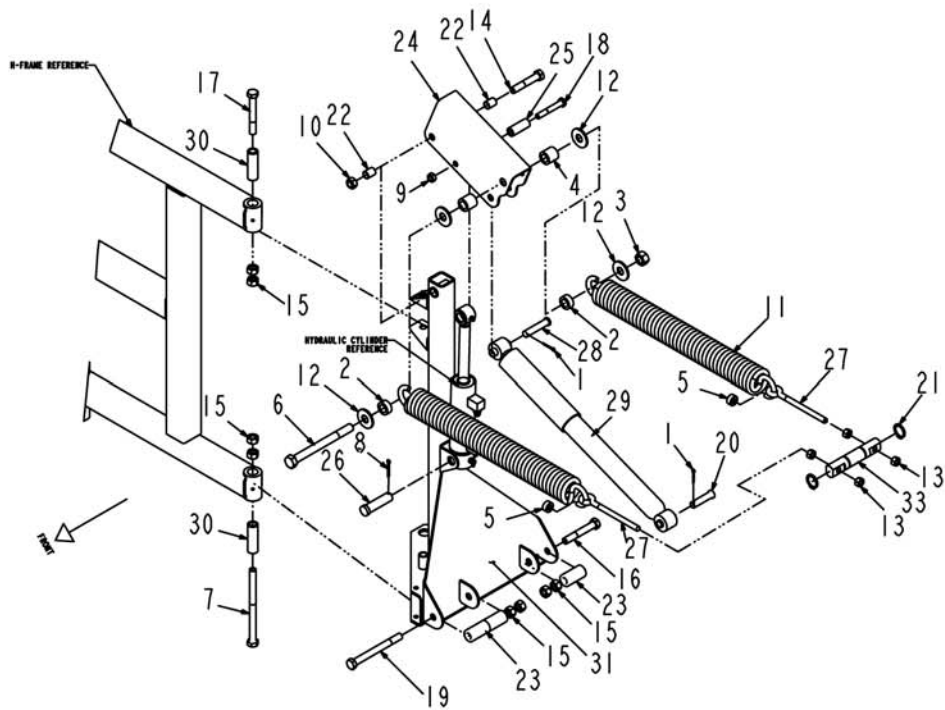
ITEM	PART #	QTY	DESCRIPTION	COMMENTS
0	6597190	1	HOSE	
0	WR55383	1	NUT-LOCK,3/4-16UNF G5	
0	WR551015	1	WASHER 0.31 FL ZN REG TYPE-B	
1	WR10339	1	PIN-COTTER,1/8 X 1 1/4	
3	WR11515	4	NUT-FLANGE, 3/8 NC	
5	WR17220	2	TUBE-RM, 1.31 OD X.250W X	
7	WR21845	1	SCREW-CAP HEX 3/4 NC X 8	
8	WR25293	1	TUBE-NYLON,LATCH STOP	
9	WR029161	32	NUT 0.25-20NC HX ZN WHIZ LK(D)	
10	WR55134	1	PIN-STR,COILED,3/16 X 1	
11	WR55255	32	SCREW-HEX FLG,,25NCX.625 GR5	
12	WR55355	5	NUT-TOPLOCK,5/8-11UNC G8	
13	WR120567	7	CLAMP-TUBE, 1.75 OD	
14	WR122322	1	PLATE-BACKING,BOOM HINGE	
16	WR515180	2	WASHER 0.62 FL ZN REG G8	
17	WR520885	11	NUT-.38-16,G5,ZN,FLG,H	
18	WR524542	5	WASHER-.98ODX.64IDX.075RC42-50	
19	WR550116	4	WASHER 0.75 FL ZN REG TYPE-B	
20	WR550124	4	NUT 0.50-13NC HEX ZN REG	
21	WR550175	4	BOLT 0.37-16NCX 1.00 G5 ZN HHD	
22	WR550183	1	BOLT 0.31-18NCX 0.75 G5 ZN HHD	
24	WR550477	6	NUT 0.62-11NC HEX ZN REG	
25	WR550779	2	BOLT 0.37-16NCX 1.50 G5 ZN HHD	
26	WR550981	4	WASHER 0.37 FL ZN SAE TYPE-A	
27	WR551007	6	WASHER FL 0.37 ZN REG TYPE-B	
28	WR551031	2	BOLT.62-11NCX 4.00G5 ZN HHD	
29	WR551503	1	BOLT 0.37-16NCX 0.75 G5 ZN HHD	
30	WR553069	3	BOLT 0.62-11NCX 5.00 G5 ZN HHD	
31	WR557668	1	NUT 0.31-18NC HEX ZN C-LK	
33	WR561251	1	BOLT 0.31-18NCX 2.25 G5 ZN HHD	
34	WR561892	2	FITTING LUBE STR 0.25UNF	
35	WR601411	3	NUT 0.37-16NC HEX ZN REG LK NY	
36	6507096	3	PIN-CLEVIS	
37	6538287	2	RING-SNAP	
38	6584225	2	BUMPER-RUBBER,RECESSED	
39	6617579	4	BUSHING-RUBBER	
41	6620417	-	RUBBER-STRIP [BULK: 0 FT]	
42	6626011	1	TUBE-W/A SUPPORT,LH	
43	6626119	5	U-BOLT	
44	6626198	4	PAD	
45	6626401	2	BOLT-EYE	
46	6626691	1	CONDUIT	
47	6626692	1	CHAIN	
48	6659910	1	CAP	
49	6660351	1	CLAMP-SADDLE	
51	WR37462	1	EXTENSION WLDMT-80 FT , LH	
52	WR37463	2	CLAMP WLDMT	
53	WR37483	2	TUBE-BOOM,FIBERGLASS 1/8x	
54	WR37534	1	ROUND-CR 1045,,750 DIA. X	
55	WR37574	1	PIN-SPRING,MOUNT	
56	WR38719	1	LINK ASSY-WING FOLD,INNER	SEE PAGE 5-26
57	WR38720	1	LINK ASSY-WING FOLD,OUTER	SEE PAGE 5-27
58	WR39036	1	INNER BOOM WLDMT-60 FT & 80 FT ,LH	
59	WR39039	2	RECT-HRS,.134 X 1.77 X 3.15	
60	WR39040	2	RECT-HRS,.250X1.77X3.15	
61	WR55988	1	RAMP-BOOM CATCH	
62	WR55990	1	BRACKET-RAMP	
63	WR55992	1	BRACKET-ROLLER	
64	WR55993	1	SUPPORT W/A-ROLLER	



WR37492 - BOOM ASSY-LH

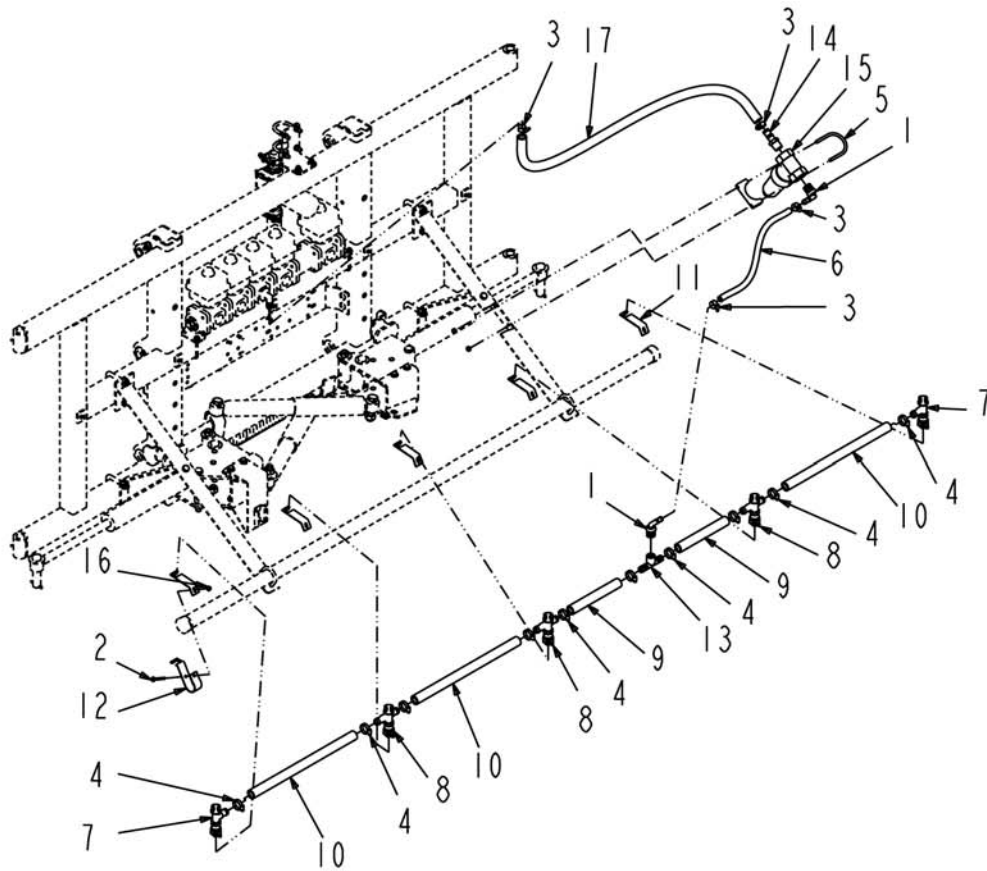
ITEM	PART #	QTY	DESCRIPTION	COMMENTS
0	6597190	1	HOSE	
0	WR55383	1	NUT-LOCK,3/4-16UNF G5	
0	WR551015	1	WASHER 0.31 FL ZN REG TYPE-B	
1	WR10339	1	PIN-COTTER,1/8 X 1 1/4	
3	WR11515	4	NUT-FLANGE, 3/8 NC	
5	WR17220	2	TUBE-RM, 1.31 OD X.250W X	
7	WR21845	1	SCREW-CAP HEX 3/4 NC X 8	
8	WR25293	1	TUBE-NYLON,LATCH STOP	
9	WR029161	32	NUT 0.25-20NC HX ZN WHIZ LK(D)	
10	WR55134	1	PIN-STR,COILED,3/16 X 1	
11	WR55255	32	SCREW-HEX FLG,,25NCX.625 GR5	
12	WR55355	5	NUT-TOPLOCK,5/8-11UNC G8	
13	WR120567	7	CLAMP-TUBE, 1.75 OD	
14	WR122322	1	PLATE-BACKING,BOOM HINGE	
16	WR515180	2	WASHER 0.62 FL ZN REG G8	
17	WR520885	11	NUT-.38-16,G5,ZN,FLG,H	
18	WR524542	5	WASHER-.98ODX.64IDX.075RC42-50	
19	WR550116	4	WASHER 0.75 FL ZN REG TYPE-B	
20	WR550124	4	NUT 0.50-13NC HEX ZN REG	
21	WR550175	4	BOLT 0.37-16NCX 1.00 G5 ZN HHD	
22	WR550183	1	BOLT 0.31-18NCX 0.75 G5 ZN HHD	
24	WR550477	6	NUT 0.62-11NC HEX ZN REG	
25	WR550779	2	BOLT 0.37-16NCX 1.50 G5 ZN HHD	
26	WR550981	4	WASHER 0.37 FL ZN SAE TYPE-A	
27	WR551007	6	WASHER FL 0.37 ZN REG TYPE-B	
28	WR551031	2	BOLT.62-11NCX 4.00G5 ZN HHD	
29	WR551503	1	BOLT 0.37-16NCX 0.75 G5 ZN HHD	
30	WR553069	3	BOLT 0.62-11NCX 5.00 G5 ZN HHD	
31	WR557668	1	NUT 0.31-18NC HEX ZN C-LK	
33	WR561251	1	BOLT 0.31-18NCX 2.25 G5 ZN HHD	
34	WR561892	2	FITTING LUBE STR 0.25UNF	
35	WR601411	3	NUT 0.37-16NC HEX ZN REG LK NY	
36	6507096	3	PIN-CLEVIS	
37	6538287	2	RING-SNAP	
38	6584225	2	BUMPER-RUBBER,RECESSED	
39	6617579	4	BUSHING-RUBBER	
41	6620417	-	RUBBER-STRIP [BULK: 0 FT]	
42	6626011	1	TUBE-W/A SUPPORT,LH	
43	6626119	5	U-BOLT	
44	6626198	4	PAD	
45	6626401	2	BOLT-EYE	
46	6626691	1	CONDUIT	
47	6626692	1	CHAIN	
48	6659910	1	CAP	
49	6660351	1	CLAMP-SADDLE	
51	WR37462	1	EXTENSION WLDMT-80 FT , LH	
52	WR37463	2	CLAMP WLDMT	
53	WR37483	2	TUBE-BOOM,FIBERGLASS 1/8x	
54	WR37534	1	ROUND-CR 1045,,750 DIA. X	
55	WR37574	1	PIN-SPRING,MOUNT	
56	WR38719	1	LINK ASSY-WING FOLD,INNER	SEE PAGE 5-26
57	WR38720	1	LINK ASSY-WING FOLD,OUTER	SEE PAGE 5-27
58	WR39036	1	INNER BOOM WLDMT-60 FT & 80 FT ,LH	
59	WR39039	2	RECT-HRS,,134 X 1.77 X 3.15	
60	WR39040	2	RECT-HRS,,250X1.77X3.15	
61	WR55988	1	RAMP-BOOM CATCH	
62	WR55990	1	BRACKET-RAMP	
63	WR55992	1	BRACKET-ROLLER	
64	WR55993	1	SUPPORT W/A-ROLLER	

WR425564 - KIT-LOOSE PARTS,BOOM HINGE



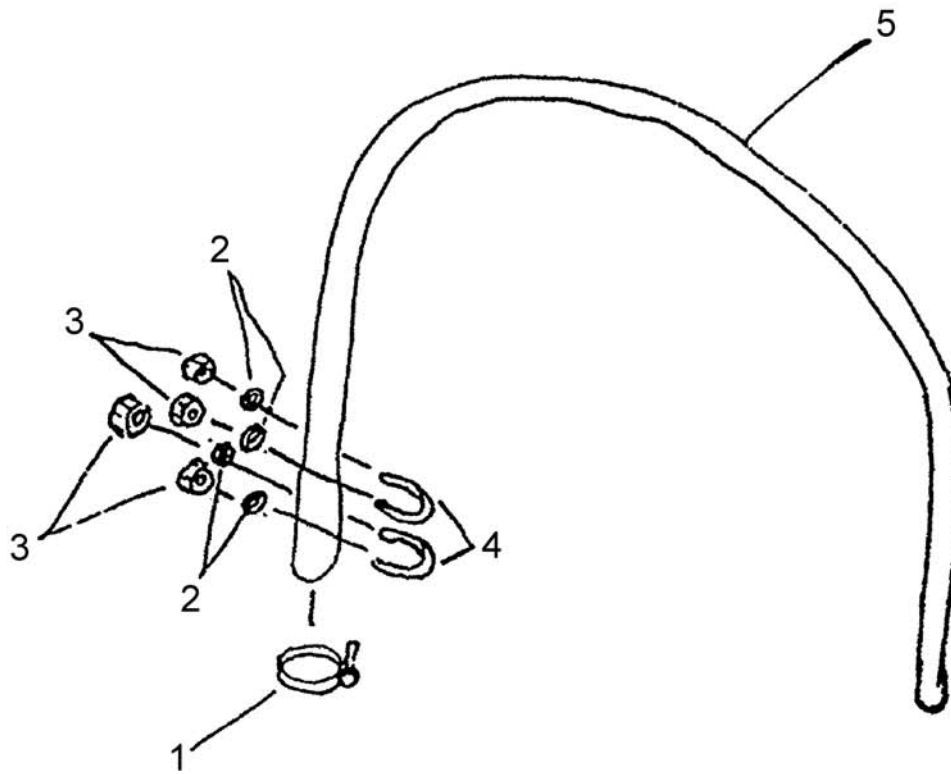
WR425564 - KIT-LOOSE PARTS,BOOM HINGE

ITEM	PART #	QTY	DESCRIPTION	COMMENTS
1	WR10339	4	PIN-COTTER,1/8 X 1 1/4	
2	WR10896	4	TUBE-RM, 1.31 OD X.250W X	
3	WR11546	2	NUT-TOPLOCK, 3/4-16UNF G5	
4	WR17220	4	TUBE-RM, 1.31 OD X.250W X	
5	WR18672	4	COLLAR-SET, 1/2 ID	
6	WR21845	2	SCREW-CAP HEX 3/4 NC X 8	
7	WR50814	2	SCREW-CAP HEX 5/8 NC X	
8	WR55083	2	PIN-COTTER,3/16 X 1 1/2	
9	WR55354	2	NUT-TOPLOCK, 1/2-13UNC G8	
10	WR55355	2	NUT-TOPLOCK,5/8-11UNC G8	
11	WR122553	4	SPRING-BOOM (REPLACES WR55982)	
12	WR550116	8	WASHER 0.75 FL ZN REG TYPE-B	
13	WR550124	8	NUT 0.50-13NC HEX ZN REG	
14	WR550469	2	BOLT 0.62-11NCX 3.50 G5 ZN HHD	
15	WR550477	16	NUT 0.62-11NC HEX ZN REG	
16	WR551031	2	BOLT.62-11NCX 4.00G5 ZN HHD	
17	WR552046	2	BOLT.62-11NCX4.50G5 ZN HHD	
18	WR553212	2	BOLT 0.50-13NCX 3.25 G5 ZN HHD	
19	WR559199	2	BOLT 0.62-11NCX 6.50 G5 ZN HHD	
20	6507096	2	PIN-CLEVIS	
21	6538287	4	RING-SNAP	
22	6613050	4	BUSHING-OILITE	
23	6617579	6	BUSHING-RUBBER	
24	6617582	2	BELLCRANK-W/A	
25	6618175	2	BUSHING-STL, .875 OD	
26	6618187	2	PIN-CLEVIS	
27	6626401	2	BOLT-EYE	
28	6633446	2	PIN-CLEVIS	
29	6664598	2	SHOCK-DAMPER	
30	6800367	4	SLEEVE	
31	6802717	1	HINGE-W/A,LH	
32	6802718	1	HINGE-W/A,RH	
33	WR37574	2	PIN-SPRING,MOUNT	



WR425565 - SPRAY INSTL-CTR MANIFOLD

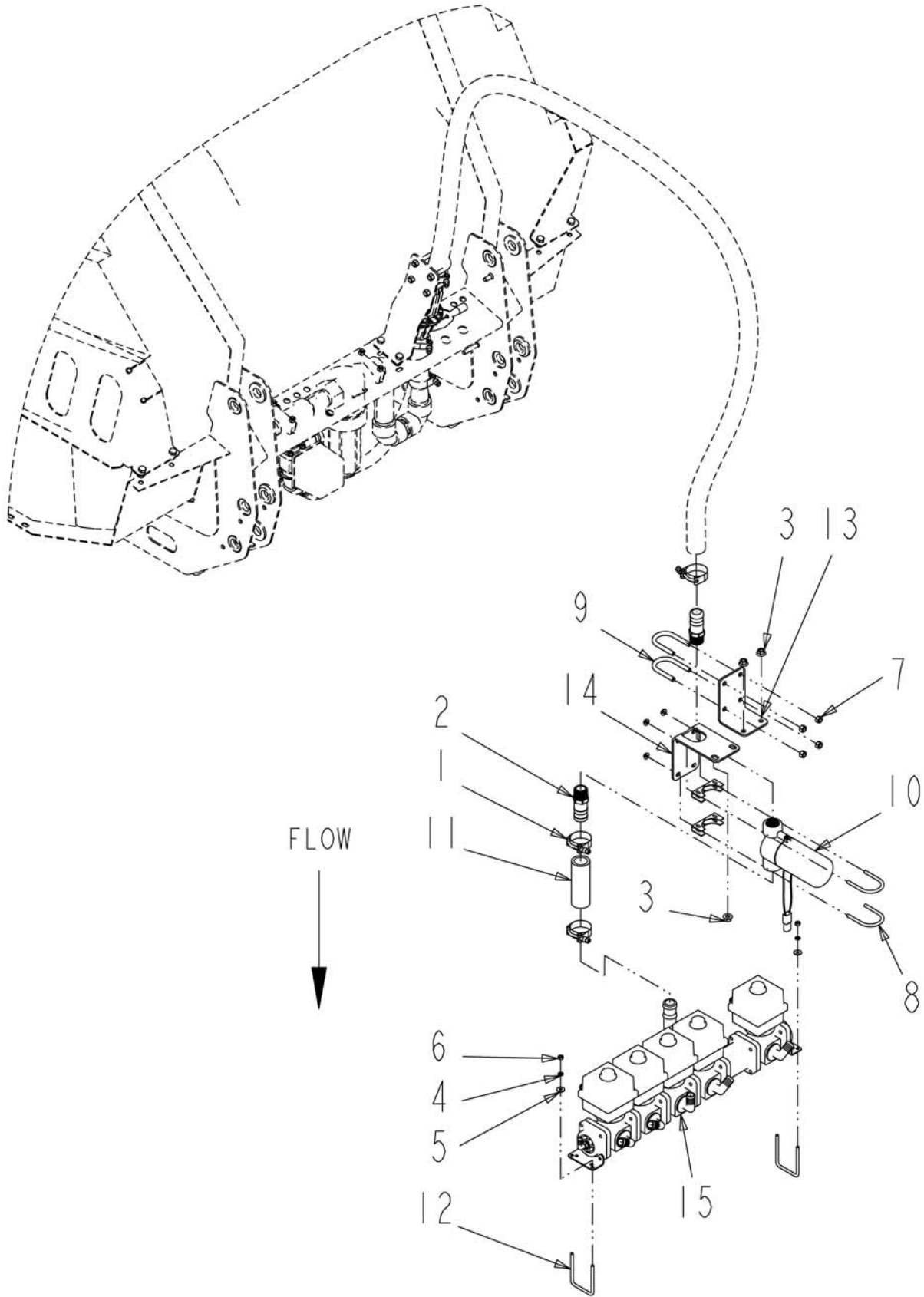
ITEM	PART #	QTY	DESCRIPTION	COMMENTS
1	WR051141	2	ELBOW 90D 0.75NPTX0.50 BARB PP	
2	WR55170	5	BOLT-CARRIAGE,M6 X 60,1.0	
3	WR55293	4	CLAMP-HOSE,.91 SST	
4	WR132508	2	NOZZLE ASM-SINGLE	SEE PAGE 5-58
5	WR132509	3	NOZZLE ASM-DOUBLE	SEE PAGE 5-59
6	WR561229	10	CLAMP 0.68-1.25 HOSE 12HS	
7	6595786	1	CLAMP-FULL CIRCLE	
8	6595862	1	HOSE-.51 ID 250 PSI X	
9	6617492	2	HOSE	
10	6617498	3	HOSE	
11	6626121	5	BRACKET-UPPER	
12	6626122	5	BRACKET-LOWER	
13	6630914	1	TEE	
14	6660899	1	ADAPTER-12HB/-12MP,PP	
15	6665873	1	FILTER ASSY-BOOM	SEE PAGE 5-18
16	6670124	5	NUT-FLANGE,SERRATED	
17	WR37798	1	HOSE-0.75 X 43.00	



WR425566 - SPRAY SYSTEM GRP

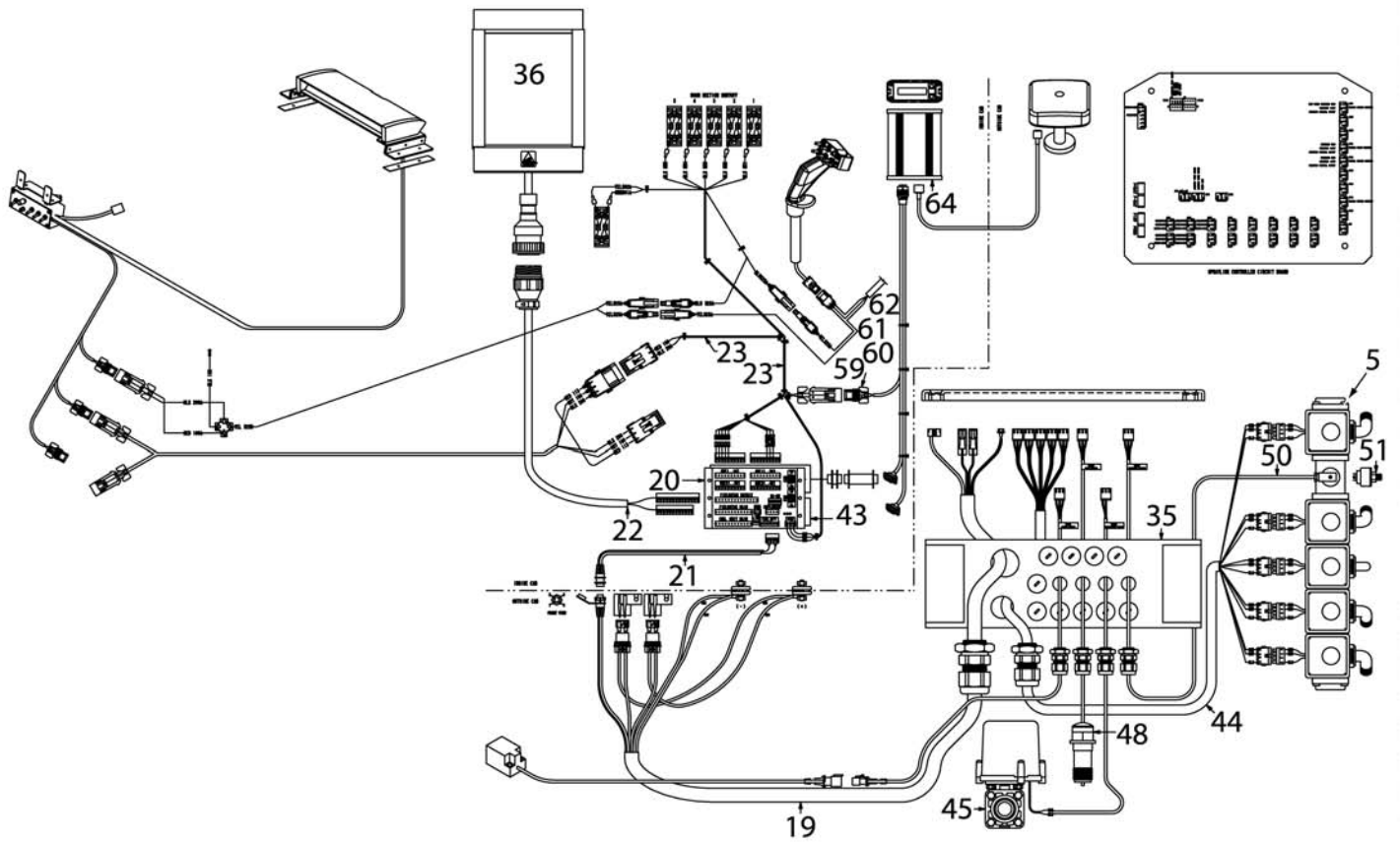
ITEM	PART #	QTY	DESCRIPTION	COMMENTS
1	WR32739	1	CLAMP-HOSE,T BOLT,1 3/4	
2	WR550191	4	WASHER LK 0.37 ZN REG	
3	WR601411	4	NUT 0.37-16NC HEX ZN REG LK NY	
4	6626119	4	U-BOLT	
5	WR55865	1	HOSE-NONE(2)-20XPLE X 089	

WR425567 - SPRAY INSTL-LOOSE PARTS KIT



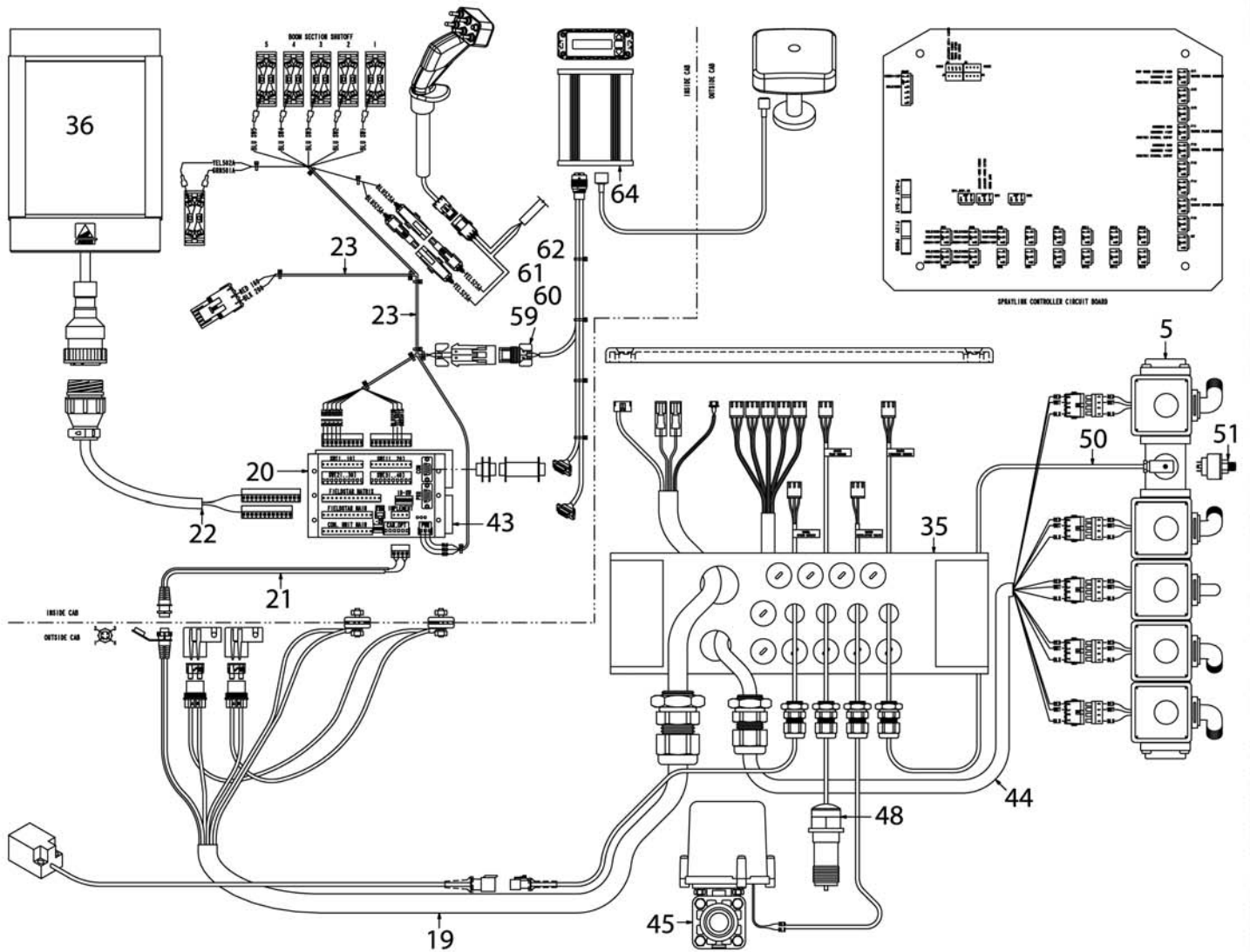
WR425567 - SPRAY INSTL-LOOSE PARTS KIT

ITEM	PART #	QTY	DESCRIPTION	COMMENTS
1	WR32739	3	CLAMP-HOSE,T BOLT,1 3/4	
2	WR051183	2	BARB-HOSE,1.00MNPTX1.25BARB,PP	
3	WR55301	4	NUT-FLANGE,M10 X 1.5,PREV	
4	WR550493	4	WASHER LK 0.25 ZN REG	
5	WR550507	4	WASHER FL 0.25 ZN REG TYPE-B	
6	WR550612	4	NUT 0.25-20NC HEX ZN REG	
7	WR601411	4	NUT 0.37-16NC HEX ZN REG LK NY	
8	WR657904	2	CLAMP-CIRCLE,FULL	
9	6626119	2	U-BOLT	
10	6632184	1	VALVE-PRESSURE,CONTROL	SEE PAGE 5-5
11	WR37782	1	HOSE-20(NONE)X1.25X 4.875	
12	WR55582	2	U-BOLT,DRAWBAR	
13	WR55859	1	MOUNT-HOSE	
14	WR55860	1	MOUNT-FLOW CONTROL VALVE	
15	WR55861	1	VALVE ASSY-BOOM SHUT OFF,	SEE PAGE 5-19



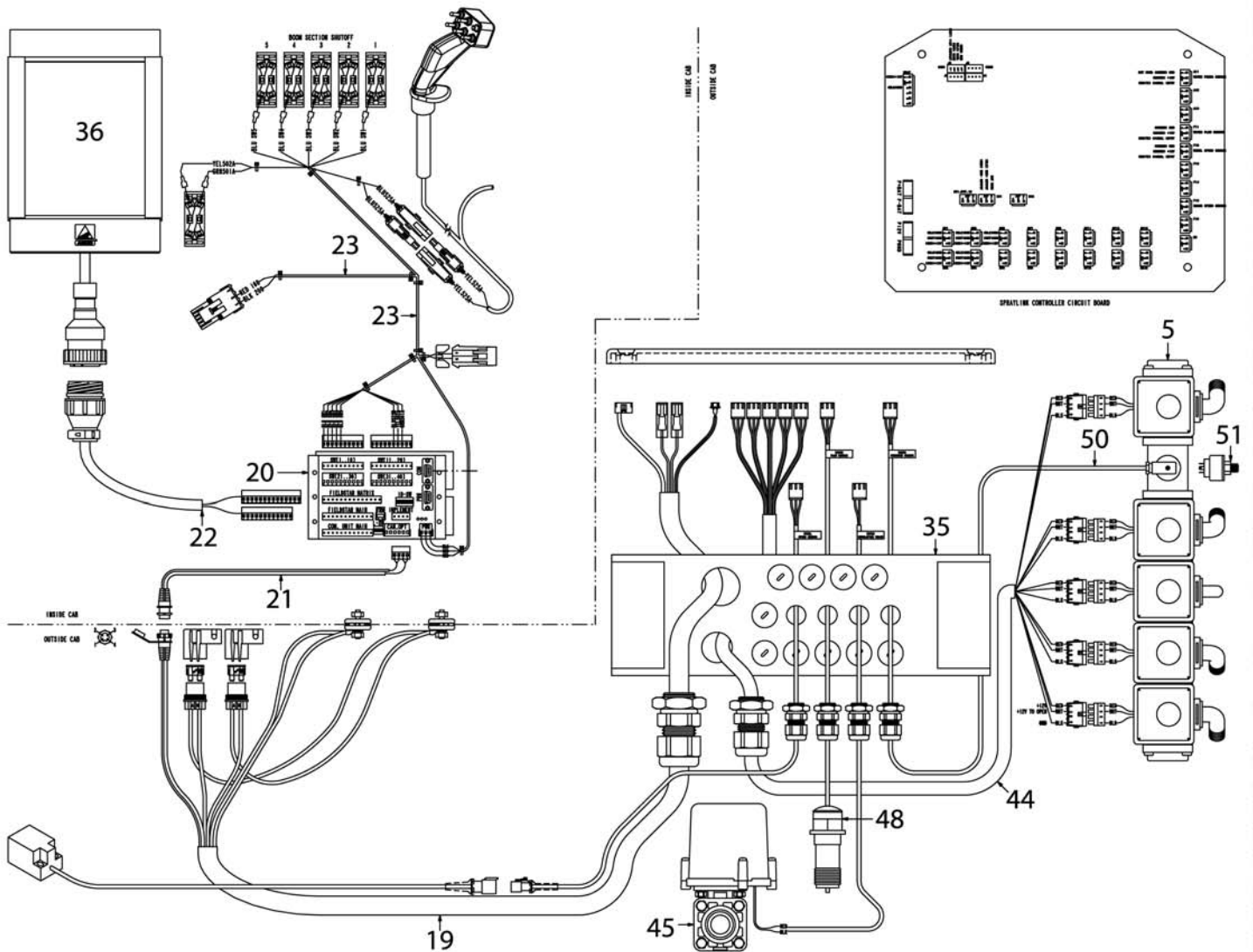
WR01801 - OPT-FIELDSTAR,WF,3VLV

ITEM	PART #	QTY	DESCRIPTION	COMMENTS
0	WR01809	-	OPT-GPS RECEIVER,5HZ,SC	SEE PAGE 5-49
0	WR55865	1	HOSE-NONE(2)-20XPLE X 089	
0	WR39082	1	SENSOR-SPD,PROXIMITY W/DEUTSCH	
0	WR39057	1	WIRE ASM-SPD SNST EXT,SC FSTAR	
0	WR37879	-	INSTL-FIELDSTAR, CTRLT, S/C	SEE PAGE 5-50
1	WR55582	2	U-BOLT,DRAWBAR	
2	WR550612	4	NUT 0.25-20NC HEX ZN REG	
3	WR550507	4	WASHER FL 0.25 ZN REG TYPE-B	
4	WR550493	4	WASHER LK 0.25 ZN REG	
5	WR37874	1	VALVE ASSY-KZ,5 SECTION,	SEE PAGE 5-52
5	WR37871	1	VALVE ASSY-BOOM SHUT OFF	SEE PAGE 5-51
6	6648348	1	PLUG-HOLE	
7	WR562496	2	TIE CABLE 15.0 .18-4.00 BLACK	
8	WR010359	4	CLAMP LOOM 1.25 PER DWG	
9	WR27174	1	CLAMP-SUPPORT,CUSHION,	
10	WR29666	2	NUT-HEX,NO. 8-32 UNC	
11	WR37878	2	WASHER-LOCK SPRING #8	
12	WR55178	2	WASHER-FLAT STD,#8	
13	WR29658	2	SCREW-MACH RND 8NCX 1 1/2	
14	WR553557	9	TIE CABLE 7.37 .06-1.37 BLACK	
15	6627047	1	SHIELD-CABLE	
16	WR55036	2	SCREW-CAP HEX M8 X 25	
17	WR55157	1	WASHER-FLAT,8MM ID,	
18	WR55298	2	CLAMP-HOSE,4 1/2 SST	
19	WR38166	1	WIRE ASSY-PWR/CAN COMM,	
20	WR38167	1	SWITCH INTERFACE-SPRYLINK	
21	WR38168	1	CABLE-CAN COMM,SPRAYLINK	
22	WR38169	1	WIRE ASSY-TERMINAL INTFC	
23	WR38170	1	WIRE ASM-PNR/BOOM SW, F/STAR	
24	WR41689	1	MANUAL-SPRAYLINK OPERATOR	
25	WR601888	4	NUT 0.31-18NC HEX ZN REG NY	
26	WR562676	4	BOLT 0.31-18 X 1.00 G5 ZN CAR	
27	WR11074	1	WASHER-NON ASBESTOS	
28	WR55104	4	WASHER-LOCK SPRING,6MM ID	
29	WR562639	4	BOLT M6 1.00X12MM G8.8 ZN HHD	
30	WR37817	1	PLATE-MOUNT,SPRAYLINK	
31	WR37814	1	SUPPORT WLDMT-ADJUST	
32	WR11505	4	NUT-SER FLG, 5/16-18 UNC	
33	WR550183	4	BOLT 0.31-18NCX 0.75 G5 ZN HHD	
34	WR37813	1	SUPPORT-ADJUST	
35	WR38165	1	CONTROLLER-SPRAYLINK	
36	WR37586	1	TERMINAL-FIELDSTAR,W/AGCO	
37	WR37287	1	MOUNT WLDMT-SPEED SENSOR	
38	WR37265	1	PANEL-DASH,FIELDSTAR,SC	
39	WR37816	1	KNOB-CLAMPING, 1/2-13 UNC	
40	WR37877	1	GROMMET-RUBBER,FITS 1.88	
41	WR27621	4	SCREW-MACH BTN SOCHD	
42	6662701	4	STRAP RETAINER	
43	WR29675	-	TAPE-DBL MTG 2 IN W X 1/8 IN TH [BULK: 0.33 FT]	
44	WR37840	1	CABLE-BOOM CONTROL KZ TO	
45	WR37841	1	VALVE-ELECTRIC BALL,	
46	WR37844	1	FLOWMETER-1 IN RAPID CHECK	
47	WR38175	1	SENSOR-SPEED, PROXIMITY	
48	WR38174	1	SENSOR-FLOWMETER W/CABLE	
49	WR38173	1	ADAPTER KIT-FLOWMETER,-20	
50	WR38172	1	CABLE-PRESSURE TRANSDUCER	
51	WR38171	1	TRANSDUCER-PRESSURE,0-10	
52	6511249	4	ADHESIVE-CLAMP,WIRE	
54	6803920	1	BAR-REAR	
55	WR37843	2	STANDOFF-ANTENNA MOUNT,	
56	WR601411	4	NUT 0.37-16NC HEX ZN REG LK NY	
57	WR551503	4	BOLT 0.37-16NCX 0.75 G5 ZN HHD	
58	WR37842	1	MOUNT-GPS ANTENNA	
59	WR520260	1	LOCK-METRIPACK,280/2 WIRE	
60	6641176	2	SEAL-CABLE,#12048086	
61	WR41694	2	CONTACT-FEMALE 150SER. MP	
62	WR41693	1	CONNECTOR-2WAY F MP	
63	WR55277	4	SCREW-MACH FLAT SLT HD,#8	
64	WR41663	1	RECEIVER-GPS, SLX300 5HZ	



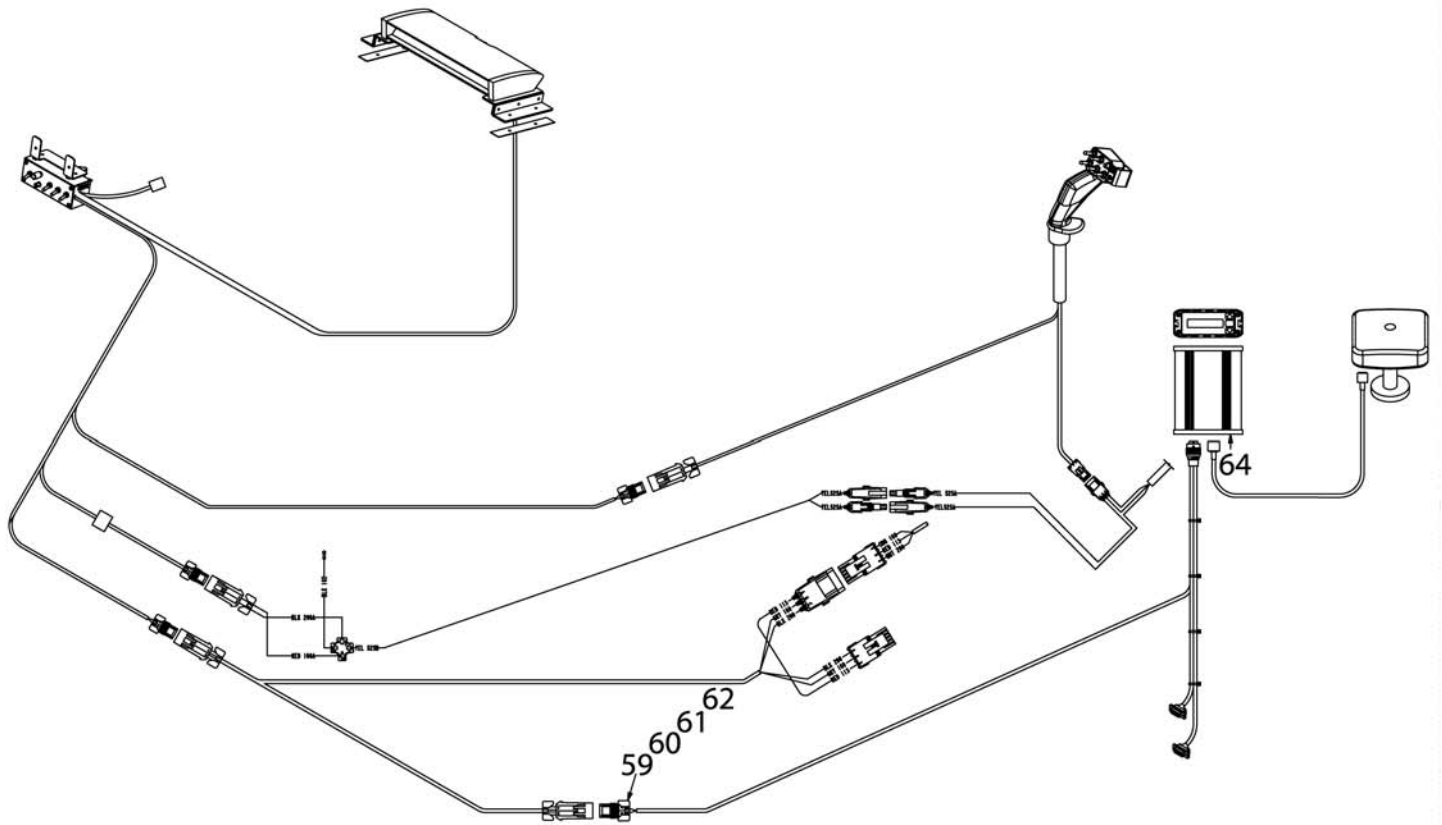
WR01801 - OPT-FIELDSTAR,WF,3VLV

ITEM	PART #	QTY	DESCRIPTION	COMMENTS
0	WR01809	-	OPT-GPS RECEIVER,5HZ,SC	SEE PAGE 5-49
0	WR55865	1	HOSE-NONE(2)-20XPLE X 089	
0	WR39082	1	SENSOR-SPD,PROXIMITY W/DEUTSCH	
0	WR39057	1	WIRE ASM-SPD SNST EXT,SC FSTAR	
0	WR37879	-	INSTL-FIELDSTAR, CTRLT, S/C	SEE PAGE 5-50
1	WR55582	2	U-BOLT,DRAWBAR	
2	WR550612	4	NUT 0.25-20NC HEX ZN REG	
3	WR550507	4	WASHER FL 0.25 ZN REG TYPE-B	
4	WR550493	4	WASHER LK 0.25 ZN REG	
5	WR37874	1	VALVE ASSY-KZ,5 SECTION,	SEE PAGE 5-52
5	WR37871	1	VALVE ASSY-BOOM SHUT OFF	SEE PAGE 5-51
6	6648348	1	PLUG-HOLE	
7	WR562496	2	TIE CABLE 15.0 .18-4.00 BLACK	
8	WR010359	4	CLAMP LOOM 1.25 PER DWG	
9	WR27174	1	CLAMP-SUPPORT,CUSHION,	
10	WR29666	2	NUT-HEX,NO. 8-32 UNC	
11	WR37878	2	WASHER-LOCK SPRING #8	
12	WR55178	2	WASHER-FLAT STD,#8	
13	WR29658	2	SCREW-MACH RND 8NCX 1 1/2	
14	WR553557	9	TIE CABLE 7.37 .06-1.37 BLACK	
15	6627047	1	SHIELD-CABLE	
16	WR55036	2	SCREW-CAP HEX M8 X 25	
17	WR55157	1	WASHER-FLAT,8MM ID,	
18	WR55298	2	CLAMP-HOSE,4 1/2 SST	
19	WR38166	1	WIRE ASSY-PWR/CAN COMM,	
20	WR38167	1	SWITCH INTERFACE-SPRYLINK	
21	WR38168	1	CABLE-CAN COMM,SPRAYLINK	
22	WR38169	1	WIRE ASSY-TERMINAL INTFC	
23	WR38170	1	WIRE ASM-PNR/BOOM SW, F/STAR	
24	WR41689	1	MANUAL-SPRAYLINK OPERATOR	
25	WR601888	4	NUT 0.31-18NC HEX ZN REG NY	
26	WR562676	4	BOLT 0.31-18 X 1.00 G5 ZN CAR	
27	WR11074	1	WASHER-NON ASBESTOS	
28	WR55104	4	WASHER-LOCK SPRING,6MM ID	
29	WR562639	4	BOLT M6 1.00X12MM G8.8 ZN HHD	
30	WR37817	1	PLATE-MOUNT,SPRAYLINK	
31	WR37814	1	SUPPORT WLDMT-ADJUST	
32	WR11505	4	NUT-SER FLG, 5/16-18 UNC	
33	WR550183	4	BOLT 0.31-18NCX 0.75 G5 ZN HHD	
34	WR37813	1	SUPPORT-ADJUST	
35	WR38165	1	CONTROLLER-SPRAYLINK	
36	WR37586	1	TERMINAL-FIELDSTAR,W/AGCO	
37	WR37287	1	MOUNT WLDMT-SPEED SENSOR	
38	WR37265	1	PANEL-DASH,FIELDSTAR,SC	
39	WR37816	1	KNOB-CLAMPING, 1/2-13 UNC	
40	WR37877	1	GROMMET-RUBBER,FITS 1.88	
41	WR27621	4	SCREW-MACH BTN SOCHD	
42	6662701	4	STRAP RETAINER	
43	WR29675	-	TAPE-DBL MTG 2 IN W X 1/8 IN TH [BULK: 0.33 FT]	
44	WR37840	1	CABLE-BOOM CONTROL KZ TO	
45	WR37841	1	VALVE-ELECTRIC BALL,	
46	WR37844	1	FLOWMETER-1 IN RAPID CHECK	
47	WR38175	1	SENSOR-SPEED, PROXIMITY	
48	WR38174	1	SENSOR-FLOWMETER W/CABLE	
49	WR38173	1	ADAPTER KIT-FLOWMETER,-20	
50	WR38172	1	CABLE-PRESSURE TRANSDUCER	
51	WR38171	1	TRANSDUCER-PRESSURE,0-10	
52	6511249	4	ADHESIVE-CLAMP,WIRE	
54	6803920	1	BAR-REAR	
55	WR37843	2	STANDOFF-ANTENNA MOUNT,	
56	WR601411	4	NUT 0.37-16NC HEX ZN REG LK NY	
57	WR551503	4	BOLT 0.37-16NCX 0.75 G5 ZN HHD	
58	WR37842	1	MOUNT-GPS ANTENNA	
59	WR520260	1	LOCK-METRIPACK,280/2 WIRE	
60	6641176	2	SEAL-CABLE,#12048086	
61	WR41694	2	CONTACT-FEMALE 150SER. MP	
62	WR41693	1	CONNECTOR-2WAY F MP	
63	WR55277	4	SCREW-MACH FLAT SLT HD,#8	
64	WR41663	1	RECEIVER-GPS, SLX300 5HZ	



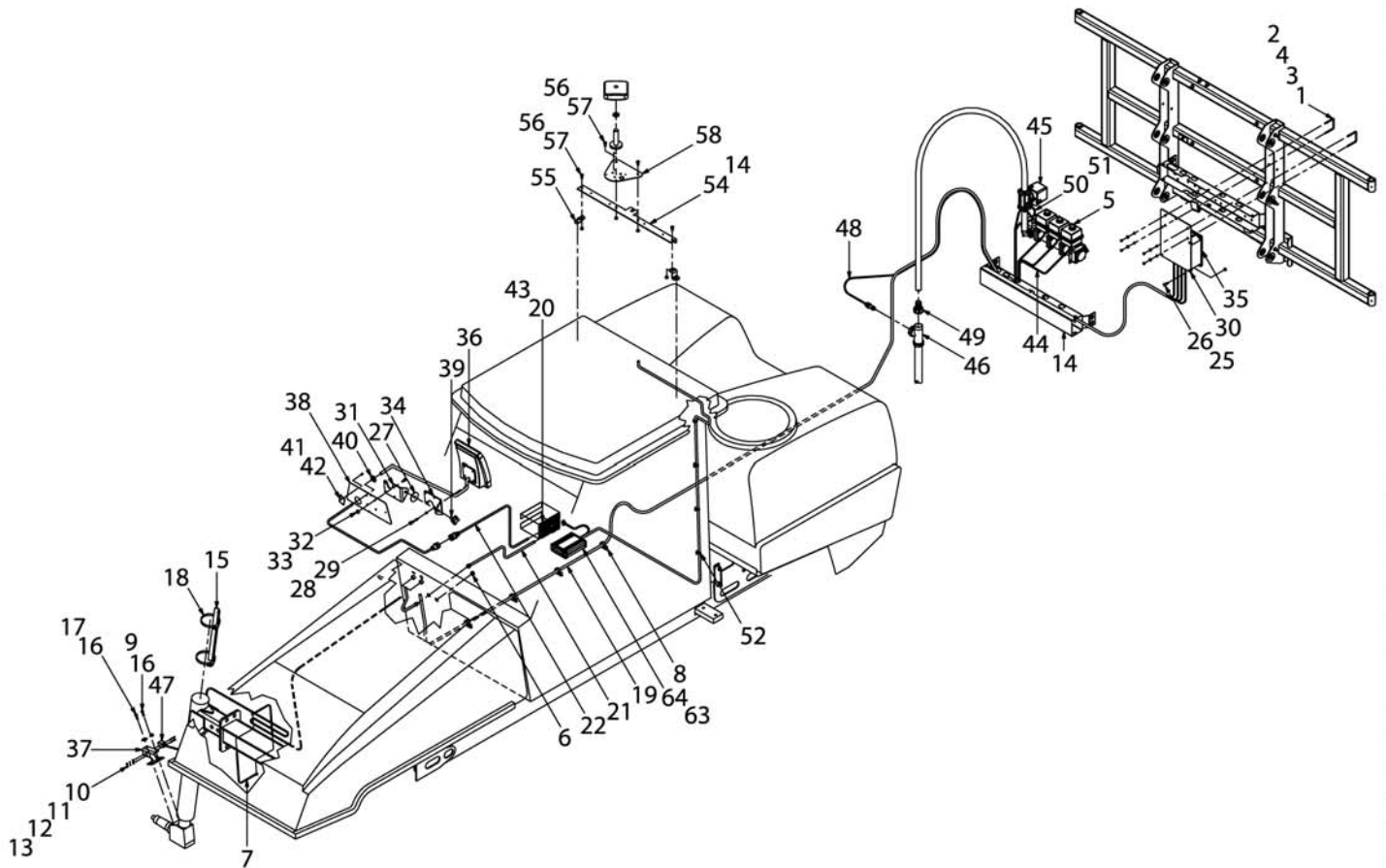
WR01801 - OPT-FIELDSTAR,WF,3VLV

ITEM	PART #	QTY	DESCRIPTION	COMMENTS
0	WR01809	-	OPT-GPS RECEIVER,5HZ,SC	SEE PAGE 5-49
0	WR55865	1	HOSE-NONE(2)-20XPLE X 089	
0	WR39082	1	SENSOR-SPD,PROXIMITY W/DEUTSCH	
0	WR39057	1	WIRE ASM-SPD SNST EXT,SC FSTAR	
0	WR37879	-	INSTL-FIELDSTAR, CTRLT, S/C	SEE PAGE 5-50
1	WR55582	2	U-BOLT,DRAWBAR	
2	WR550612	4	NUT 0.25-20NC HEX ZN REG	
3	WR550507	4	WASHER FL 0.25 ZN REG TYPE-B	
4	WR550493	4	WASHER LK 0.25 ZN REG	
5	WR37874	1	VALVE ASSY-KZ,5 SECTION,	SEE PAGE 5-52
5	WR37871	1	VALVE ASSY-BOOM SHUT OFF	SEE PAGE 5-51
6	6648348	1	PLUG-HOLE	
7	WR562496	2	TIE CABLE 15.0 .18-4.00 BLACK	
8	WR010359	4	CLAMP LOOM 1.25 PER DWG	
9	WR27174	1	CLAMP-SUPPORT,CUSHION,	
10	WR29666	2	NUT-HEX,NO. 8-32 UNC	
11	WR37878	2	WASHER-LOCK SPRING #8	
12	WR55178	2	WASHER-FLAT STD,#8	
13	WR29658	2	SCREW-MACH RND 8NCX 1 1/2	
14	WR553557	9	TIE CABLE 7.37 .06-1.37 BLACK	
15	6627047	1	SHIELD-CABLE	
16	WR55036	2	SCREW-CAP HEX M8 X 25	
17	WR55157	1	WASHER-FLAT,8MM ID,	
18	WR55298	2	CLAMP-HOSE,4 1/2 SST	
19	WR38166	1	WIRE ASSY-PWR/CAN COMM,	
20	WR38167	1	SWITCH INTERFACE-SPRYLINK	
21	WR38168	1	CABLE-CAN COMM,SPRAYLINK	
22	WR38169	1	WIRE ASSY-TERMINAL INTFC	
23	WR38170	1	WIRE ASM-PNR/BOOM SW, F/STAR	
24	WR41689	1	MANUAL-SPRAYLINK OPERATOR	
25	WR601888	4	NUT 0.31-18NC HEX ZN REG NY	
26	WR562676	4	BOLT 0.31-18 X 1.00 G5 ZN CAR	
27	WR11074	1	WASHER-NON ASBESTOS	
28	WR55104	4	WASHER-LOCK SPRING,6MM ID	
29	WR562639	4	BOLT M6 1.00X12MM G8.8 ZN HHD	
30	WR37817	1	PLATE-MOUNT,SPRAYLINK	
31	WR37814	1	SUPPORT WLDMT-ADJUST	
32	WR11505	4	NUT-SER FLG, 5/16-18 UNC	
33	WR550183	4	BOLT 0.31-18NCX 0.75 G5 ZN HHD	
34	WR37813	1	SUPPORT-ADJUST	
35	WR38165	1	CONTROLLER-SPRAYLINK	
36	WR37586	1	TERMINAL-FIELDSTAR,W/AGCO	
37	WR37287	1	MOUNT WLDMT-SPEED SENSOR	
38	WR37265	1	PANEL-DASH,FIELDSTAR,SC	
39	WR37816	1	KNOB-CLAMPING, 1/2-13 UNC	
40	WR37877	1	GROMMET-RUBBER,FITS 1.88	
41	WR27621	4	SCREW-MACH BTN SOCHD	
42	6662701	4	STRAP RETAINER	
43	WR29675	-	TAPE-DBL MTG 2 IN W X 1/8 IN TH [BULK: 0.33 FT]	
44	WR37840	1	CABLE-BOOM CONTROL KZ TO	
45	WR37841	1	VALVE-ELECTRIC BALL,	
46	WR37844	1	FLOWMETER-1 IN RAPID CHECK	
47	WR38175	1	SENSOR-SPEED, PROXIMITY	
48	WR38174	1	SENSOR-FLOWMETER W/CABLE	
49	WR38173	1	ADAPTER KIT-FLOWMETER,-20	
50	WR38172	1	CABLE-PRESSURE TRANSDUCER	
51	WR38171	1	TRANSDUCER-PRESSURE,0-10	
52	6511249	4	ADHESIVE-CLAMP,WIRE	
54	6803920	1	BAR-REAR	
55	WR37843	2	STANDOFF-ANTENNA MOUNT,	
56	WR601411	4	NUT 0.37-16NC HEX ZN REG LK NY	
57	WR551503	4	BOLT 0.37-16NCX 0.75 G5 ZN HHD	
58	WR37842	1	MOUNT-GPS ANTENNA	
59	WR520260	1	LOCK-METRIPACK,280/2 WIRE	
60	6641176	2	SEAL-CABLE,#12048086	
61	WR41694	2	CONTACT-FEMALE 150SER. MP	
62	WR41693	1	CONNECTOR-2WAY F MP	
63	WR55277	4	SCREW-MACH FLAT SLT HD,#8	
64	WR41663	1	RECEIVER-GPS, SLX300 5HZ	



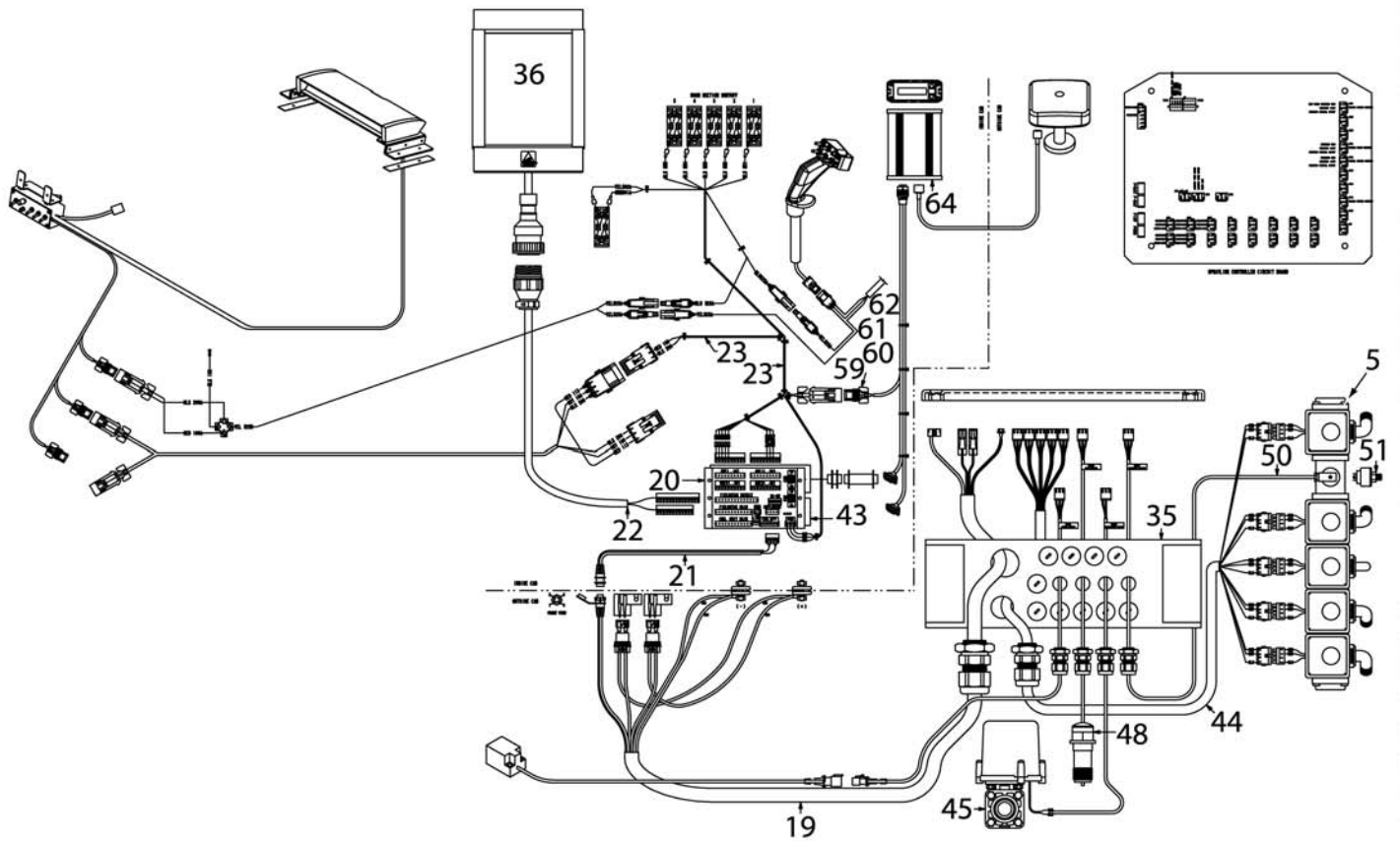
WR01801 - OPT-FIELDSTAR,WF,3VLV

ITEM	PART #	QTY	DESCRIPTION	COMMENTS
0	WR01809	-	OPT-GPS RECEIVER,5HZ,SC	SEE PAGE 5-49
0	WR55865	1	HOSE-NONE(2)-20XPLE X 089	
0	WR39082	1	SENSOR-SPD,PROXIMITY W/DEUTSCH	
0	WR39057	1	WIRE ASM-SPD SNST EXT,SC FSTAR	
0	WR37879	-	INSTL-FIELDSTAR, CTRLT, S/C	SEE PAGE 5-50
1	WR55582	2	U-BOLT,DRAWBAR	
2	WR550612	4	NUT 0.25-20NC HEX ZN REG	
3	WR550507	4	WASHER FL 0.25 ZN REG TYPE-B	
4	WR550493	4	WASHER LK 0.25 ZN REG	
5	WR37874	1	VALVE ASSY-KZ,5 SECTION,	SEE PAGE 5-52
5	WR37871	1	VALVE ASSY-BOOM SHUT OFF	SEE PAGE 5-51
6	6648348	1	PLUG-HOLE	
7	WR562496	2	TIE CABLE 15.0 .18-4.00 BLACK	
8	WR010359	4	CLAMP LOOM 1.25 PER DWG	
9	WR27174	1	CLAMP-SUPPORT,CUSHION,	
10	WR29666	2	NUT-HEX,NO. 8-32 UNC	
11	WR37878	2	WASHER-LOCK SPRING #8	
12	WR55178	2	WASHER-FLAT STD,#8	
13	WR29658	2	SCREW-MACH RND 8NCX 1 1/2	
14	WR553557	9	TIE CABLE 7.37 .06-1.37 BLACK	
15	6627047	1	SHIELD-CABLE	
16	WR55036	2	SCREW-CAP HEX M8 X 25	
17	WR55157	1	WASHER-FLAT,8MM ID,	
18	WR55298	2	CLAMP-HOSE,4 1/2 SST	
19	WR38166	1	WIRE ASSY-PWR/CAN COMM,	
20	WR38167	1	SWITCH INTERFACE-SPRYLINK	
21	WR38168	1	CABLE-CAN COMM,SPRAYLINK	
22	WR38169	1	WIRE ASSY-TERMINAL INTFC	
23	WR38170	1	WIRE ASM-PNR/BOOM SW, F/STAR	
24	WR41689	1	MANUAL-SPRAYLINK OPERATOR	
25	WR601888	4	NUT 0.31-18NC HEX ZN REG NY	
26	WR562676	4	BOLT 0.31-18 X 1.00 G5 ZN CAR	
27	WR11074	1	WASHER-NON ASBESTOS	
28	WR55104	4	WASHER-LOCK SPRING,6MM ID	
29	WR562639	4	BOLT M6 1.00X12MM G8.8 ZN HHD	
30	WR37817	1	PLATE-MOUNT,SPRAYLINK	
31	WR37814	1	SUPPORT WLDMT-ADJUST	
32	WR11505	4	NUT-SER FLG, 5/16-18 UNC	
33	WR550183	4	BOLT 0.31-18NCX 0.75 G5 ZN HHD	
34	WR37813	1	SUPPORT-ADJUST	
35	WR38165	1	CONTROLLER-SPRAYLINK	
36	WR37586	1	TERMINAL-FIELDSTAR,W/AGCO	
37	WR37287	1	MOUNT WLDMT-SPEED SENSOR	
38	WR37265	1	PANEL-DASH,FIELDSTAR,SC	
39	WR37816	1	KNOB-CLAMPING, 1/2-13 UNC	
40	WR37877	1	GROMMET-RUBBER,FITS 1.88	
41	WR27621	4	SCREW-MACH BTN SOCHD	
42	6662701	4	STRAP RETAINER	
43	WR29675	-	TAPE-DBL MTG 2 IN W X 1/8 IN TH [BULK: 0.33 FT]	
44	WR37840	1	CABLE-BOOM CONTROL KZ TO	
45	WR37841	1	VALVE-ELECTRIC BALL,	
46	WR37844	1	FLOWMETER-1 IN RAPID CHECK	
47	WR38175	1	SENSOR-SPEED, PROXIMITY	
48	WR38174	1	SENSOR-FLOWMETER W/CABLE	
49	WR38173	1	ADAPTER KIT-FLOWMETER,-20	
50	WR38172	1	CABLE-PRESSURE TRANSDUCER	
51	WR38171	1	TRANSDUCER-PRESSURE,0-10	
52	6511249	4	ADHESIVE-CLAMP,WIRE	
54	6803920	1	BAR-REAR	
55	WR37843	2	STANDOFF-ANTENNA MOUNT,	
56	WR601411	4	NUT 0.37-16NC HEX ZN REG LK NY	
57	WR551503	4	BOLT 0.37-16NCX 0.75 G5 ZN HHD	
58	WR37842	1	MOUNT-GPS ANTENNA	
59	WR520260	1	LOCK-METRIPACK,280/2 WIRE	
60	6641176	2	SEAL-CABLE,#12048086	
61	WR41694	2	CONTACT-FEMALE 150SER. MP	
62	WR41693	1	CONNECTOR-2WAY F MP	
63	WR55277	4	SCREW-MACH FLAT SLT HD,#8	
64	WR41663	1	RECEIVER-GPS, SLX300 5HZ	



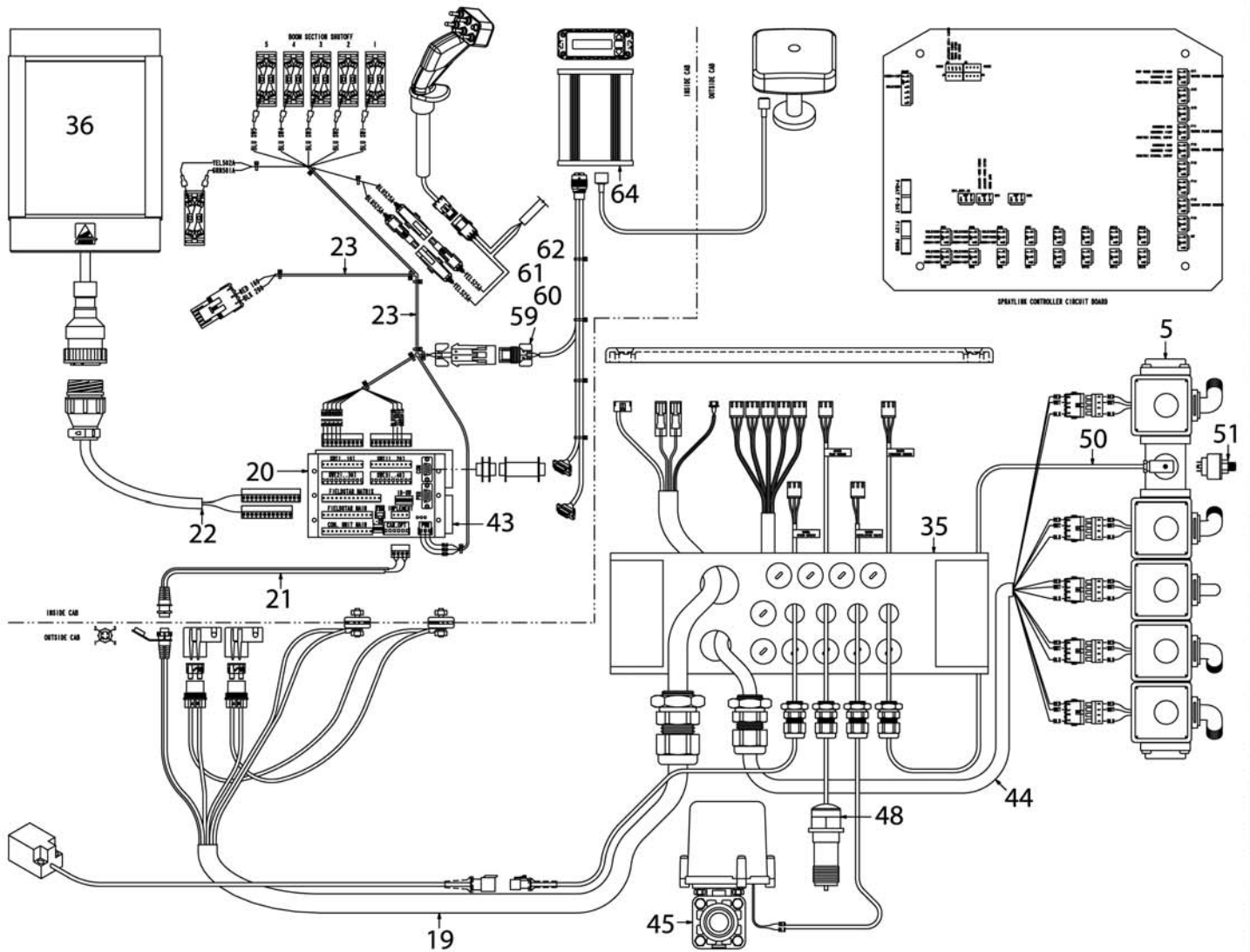
WR01801 - OPT-FIELDSTAR,WF,3VLV

ITEM	PART #	QTY	DESCRIPTION	COMMENTS
0	WR01809	-	OPT-GPS RECEIVER,5HZ,SC	SEE PAGE 5-49
0	WR55865	1	HOSE-NONE(2)-20XPLE X 089	
0	WR39082	1	SENSOR-SPD,PROXIMITY W/DEUTSCH	
0	WR39057	1	WIRE ASM-SPD SNST EXT,SC FSTAR	
0	WR37879	-	INSTL-FIELDSTAR, CTRLT, S/C	SEE PAGE 5-50
1	WR55582	2	U-BOLT,DRAWBAR	
2	WR550612	4	NUT 0.25-20NC HEX ZN REG	
3	WR550507	4	WASHER FL 0.25 ZN REG TYPE-B	
4	WR550493	4	WASHER LK 0.25 ZN REG	
5	WR37874	1	VALVE ASSY-KZ,5 SECTION,	SEE PAGE 5-52
5	WR37871	1	VALVE ASSY-BOOM SHUT OFF	SEE PAGE 5-51
6	6648348	1	PLUG-HOLE	
7	WR562496	2	TIE CABLE 15.0 .18-4.00 BLACK	
8	WR010359	4	CLAMP LOOM 1.25 PER DWG	
9	WR27174	1	CLAMP-SUPPORT,CUSHION,	
10	WR29666	2	NUT-HEX,NO. 8-32 UNC	
11	WR37878	2	WASHER-LOCK SPRING #8	
12	WR55178	2	WASHER-FLAT STD,#8	
13	WR29658	2	SCREW-MACH RND 8NCX 1 1/2	
14	WR553557	9	TIE CABLE 7.37 .06-1.37 BLACK	
15	6627047	1	SHIELD-CABLE	
16	WR55036	2	SCREW-CAP HEX M8 X 25	
17	WR55157	1	WASHER-FLAT,8MM ID,	
18	WR55298	2	CLAMP-HOSE,4 1/2 SST	
19	WR38166	1	WIRE ASSY-PWR/CAN COMM,	
20	WR38167	1	SWITCH INTERFACE-SPRYLINK	
21	WR38168	1	CABLE-CAN COMM,SPRAYLINK	
22	WR38169	1	WIRE ASSY-TERMINAL INTFC	
23	WR38170	1	WIRE ASM-PNR/BOOM SW, F/STAR	
24	WR41689	1	MANUAL-SPRAYLINK OPERATOR	
25	WR601888	4	NUT 0.31-18NC HEX ZN REG NY	
26	WR562676	4	BOLT 0.31-18 X 1.00 G5 ZN CAR	
27	WR11074	1	WASHER-NON ASBESTOS	
28	WR55104	4	WASHER-LOCK SPRING,6MM ID	
29	WR562639	4	BOLT M6 1.00X12MM G8.8 ZN HHD	
30	WR37817	1	PLATE-MOUNT,SPRAYLINK	
31	WR37814	1	SUPPORT WLDMT-ADJUST	
32	WR11505	4	NUT-SER FLG, 5/16-18 UNC	
33	WR550183	4	BOLT 0.31-18NCX 0.75 G5 ZN HHD	
34	WR37813	1	SUPPORT-ADJUST	
35	WR38165	1	CONTROLLER-SPRAYLINK	
36	WR37586	1	TERMINAL-FIELDSTAR,W/AGCO	
37	WR37287	1	MOUNT WLDMT-SPEED SENSOR	
38	WR37265	1	PANEL-DASH,FIELDSTAR,SC	
39	WR37816	1	KNOB-CLAMPING, 1/2-13 UNC	
40	WR37877	1	GROMMET-RUBBER,FITS 1.88	
41	WR27621	4	SCREW-MACH BTN SOCHD	
42	6662701	4	STRAP RETAINER	
43	WR29675	-	TAPE-DBL MTG 2 IN W X 1/8 IN TH [BULK: 0.33 FT]	
44	WR37840	1	CABLE-BOOM CONTROL KZ TO	
45	WR37841	1	VALVE-ELECTRIC BALL,	
46	WR37844	1	FLOWMETER-1 IN RAPID CHECK	
47	WR38175	1	SENSOR-SPEED, PROXIMITY	
48	WR38174	1	SENSOR-FLOWMETER W/CABLE	
49	WR38173	1	ADAPTER KIT-FLOWMETER,-20	
50	WR38172	1	CABLE-PRESSURE TRANSDUCER	
51	WR38171	1	TRANSDUCER-PRESSURE,0-10	
52	6511249	4	ADHESIVE-CLAMP,WIRE	
54	6803920	1	BAR-REAR	
55	WR37843	2	STANDOFF-ANTENNA MOUNT,	
56	WR601411	4	NUT 0.37-16NC HEX ZN REG LK NY	
57	WR551503	4	BOLT 0.37-16NCX 0.75 G5 ZN HHD	
58	WR37842	1	MOUNT-GPS ANTENNA	
59	WR520260	1	LOCK-METRIPACK,280/2 WIRE	
60	6641176	2	SEAL-CABLE,#12048086	
61	WR41694	2	CONTACT-FEMALE 150SER. MP	
62	WR41693	1	CONNECTOR-2WAY F MP	
63	WR55277	4	SCREW-MACH FLAT SLT HD,#8	
64	WR41663	1	RECEIVER-GPS, SLX300 5HZ	



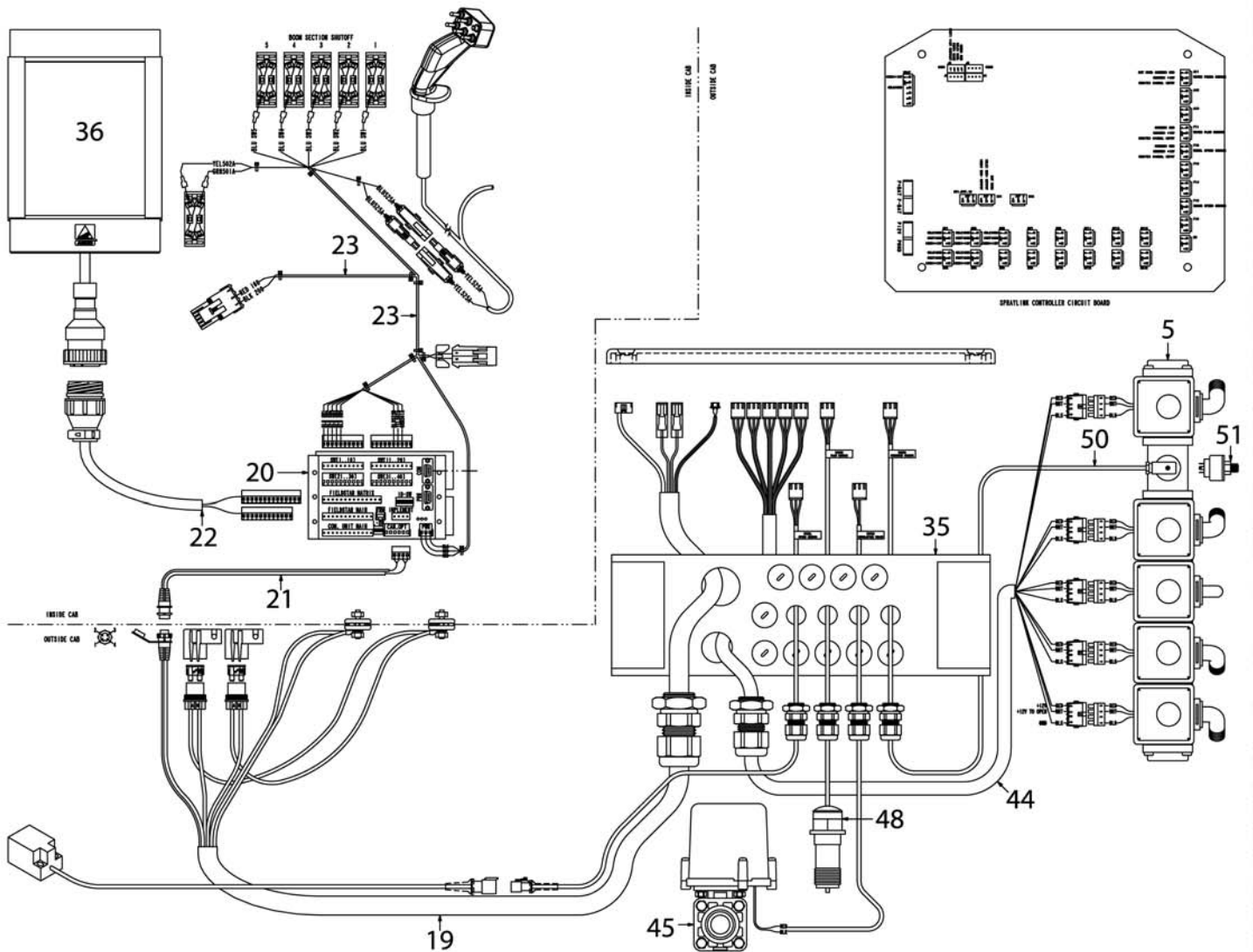
WR01802 - OPT-FIELDSTAR,WF,5VLV

ITEM	PART #	QTY	DESCRIPTION	COMMENTS
0	WR01809	-	OPT-GPS RECEIVER,5HZ,SC	SEE PAGE 5-49
0	WR55865	1	HOSE-NONE(2)-20XPLE X 089	
0	WR39082	1	SENSOR-SPD,PROXIMITY W/DEUTSCH	
0	WR39057	1	WIRE ASM-SPD SNST EXT,SC FSTAR	
0	WR37879	-	INSTL-FIELDSTAR, CTRLT, S/C	SEE PAGE 5-50
1	WR55582	2	U-BOLT,DRAWBAR	
2	WR550612	4	NUT 0.25-20NC HEX ZN REG	
3	WR550507	4	WASHER FL 0.25 ZN REG TYPE-B	
4	WR550493	4	WASHER LK 0.25 ZN REG	
5	WR37874	1	VALVE ASSY-KZ,5 SECTION,	SEE PAGE 5-52
5	WR37871	1	VALVE ASSY-BOOM SHUT OFF	SEE PAGE 5-51
6	6648348	1	PLUG-HOLE	
7	WR562496	2	TIE CABLE 15.0 .18-4.00 BLACK	
8	WR010359	4	CLAMP LOOM 1.25 PER DWG	
9	WR27174	1	CLAMP-SUPPORT,CUSHION,	
10	WR29666	2	NUT-HEX,NO. 8-32 UNC	
11	WR37878	2	WASHER-LOCK SPRING #8	
12	WR55178	2	WASHER-FLAT STD,#8	
13	WR29658	2	SCREW-MACH RND 8NCX 1 1/2	
14	WR553557	9	TIE CABLE 7.37 .06-1.37 BLACK	
15	6627047	1	SHIELD-CABLE	
16	WR55036	2	SCREW-CAP HEX M8 X 25	
17	WR55157	1	WASHER-FLAT,8MM ID,	
18	WR55298	2	CLAMP-HOSE,4 1/2 SST	
19	WR38166	1	WIRE ASSY-PWR/CAN COMM,	
20	WR38167	1	SWITCH INTERFACE-SPRYLINK	
21	WR38168	1	CABLE-CAN COMM,SPRAYLINK	
22	WR38169	1	WIRE ASSY-TERMINAL INTFC	
23	WR38170	1	WIRE ASM-PNR/BOOM SW, F/STAR	
24	WR41689	1	MANUAL-SPRAYLINK OPERATOR	
25	WR601888	4	NUT 0.31-18NC HEX ZN REG NY	
26	WR562676	4	BOLT 0.31-18 X 1.00 G5 ZN CAR	
27	WR11074	1	WASHER-NON ASBESTOS	
28	WR55104	4	WASHER-LOCK SPRING,6MM ID	
29	WR562639	4	BOLT M6 1.00X12MM G8.8 ZN HHD	
30	WR37817	1	PLATE-MOUNT,SPRAYLINK	
31	WR37814	1	SUPPORT WLDMT-ADJUST	
32	WR11505	4	NUT-SER FLG, 5/16-18 UNC	
33	WR550183	4	BOLT 0.31-18NCX 0.75 G5 ZN HHD	
34	WR37813	1	SUPPORT-ADJUST	
35	WR38165	1	CONTROLLER-SPRAYLINK	
36	WR37586	1	TERMINAL-FIELDSTAR,W/AGCO	
37	WR37287	1	MOUNT WLDMT-SPEED SENSOR	
38	WR37265	1	PANEL-DASH,FIELDSTAR,SC	
39	WR37816	1	KNOB-CLAMPING, 1/2-13 UNC	
40	WR37877	1	GROMMET-RUBBER,FITS 1.88	
41	WR27621	4	SCREW-MACH BTN SOCHD	
42	6662701	4	STRAP RETAINER	
43	WR29675	-	TAPE-DBL MTG 2 IN W X 1/8 IN TH [BULK: 0.33 FT]	
44	WR37840	1	CABLE-BOOM CONTROL KZ TO	
45	WR37841	1	VALVE-ELECTRIC BALL,	
46	WR37844	1	FLOWMETER-1 IN RAPID CHECK	
47	WR38175	1	SENSOR-SPEED, PROXIMITY	
48	WR38174	1	SENSOR-FLOWMETER W/CABLE	
49	WR38173	1	ADAPTER KIT-FLOWMETER,-20	
50	WR38172	1	CABLE-PRESSURE TRANSDUCER	
51	WR38171	1	TRANSDUCER-PRESSURE,0-10	
52	6511249	4	ADHESIVE-CLAMP,WIRE	
54	6803920	1	BAR-REAR	
55	WR37843	2	STANDOFF-ANTENNA MOUNT,	
56	WR601411	4	NUT 0.37-16NC HEX ZN REG LK NY	
57	WR551503	4	BOLT 0.37-16NCX 0.75 G5 ZN HHD	
58	WR37842	1	MOUNT-GPS ANTENNA	
59	WR520260	1	LOCK-METRIPACK,280/2 WIRE	
60	6641176	2	SEAL-CABLE,#12048086	
61	WR41694	2	CONTACT-FEMALE 150SER. MP	
62	WR41693	1	CONNECTOR-2WAY F MP	
63	WR55277	4	SCREW-MACH FLAT SLT HD,#8	
64	WR41663	1	RECEIVER-GPS, SLX300 5HZ	



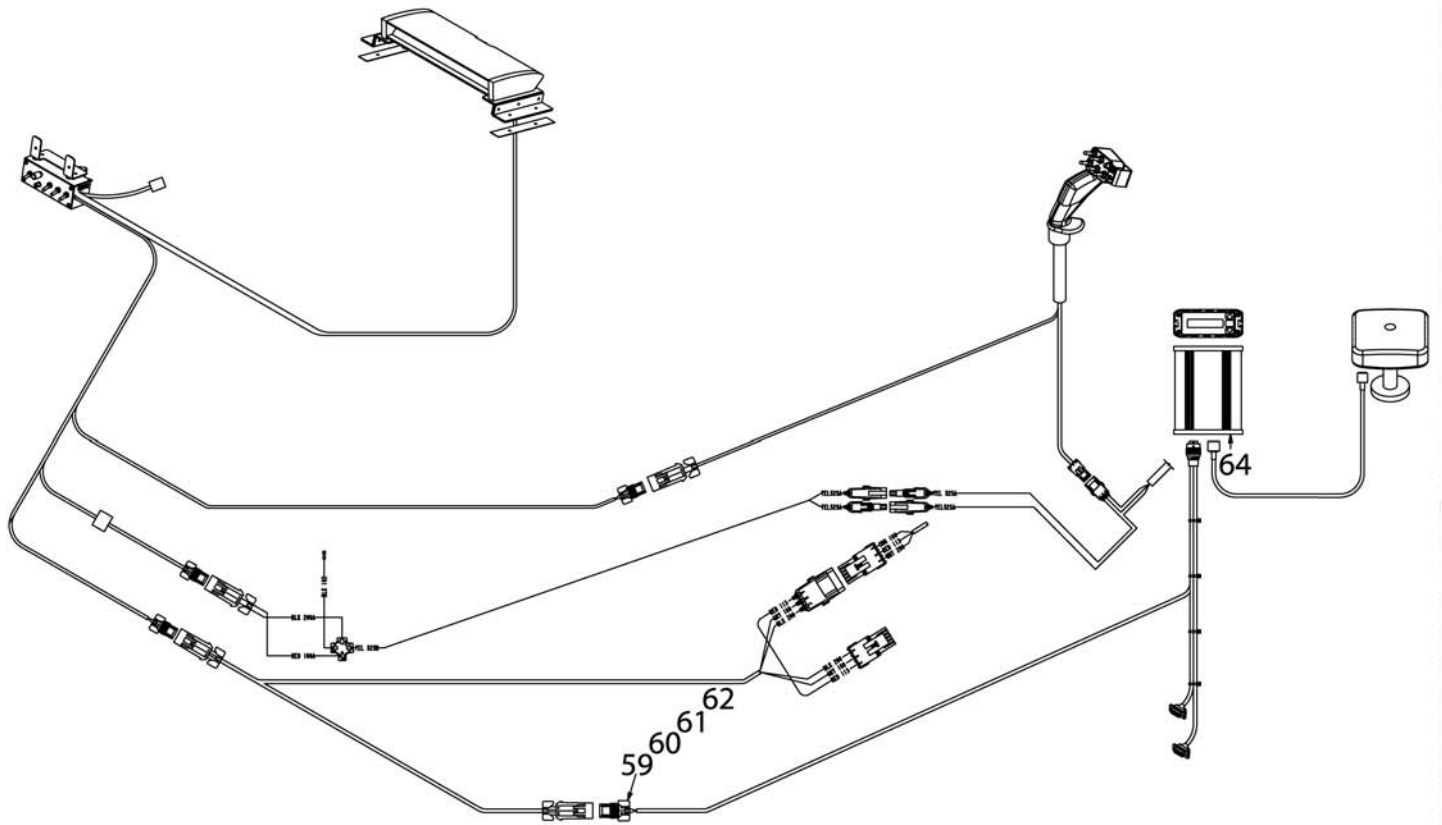
WR01802 - OPT-FIELDSTAR,WF,5VLV

ITEM	PART #	QTY	DESCRIPTION	COMMENTS
0	WR01809	-	OPT-GPS RECEIVER,5HZ,SC	SEE PAGE 5-49
0	WR55865	1	HOSE-NONE(2)-20XPLE X 089	
0	WR39082	1	SENSOR-SPD,PROXIMITY W/DEUTSCH	
0	WR39057	1	WIRE ASM-SPD SNST EXT,SC FSTAR	
0	WR37879	-	INSTL-FIELDSTAR, CTRLT, S/C	SEE PAGE 5-50
1	WR55582	2	U-BOLT,DRAWBAR	
2	WR550612	4	NUT 0.25-20NC HEX ZN REG	
3	WR550507	4	WASHER FL 0.25 ZN REG TYPE-B	
4	WR550493	4	WASHER LK 0.25 ZN REG	
5	WR37874	1	VALVE ASSY-KZ,5 SECTION,	SEE PAGE 5-52
5	WR37871	1	VALVE ASSY-BOOM SHUT OFF	SEE PAGE 5-51
6	6648348	1	PLUG-HOLE	
7	WR562496	2	TIE CABLE 15.0 .18-4.00 BLACK	
8	WR010359	4	CLAMP LOOM 1.25 PER DWG	
9	WR27174	1	CLAMP-SUPPORT,CUSHION,	
10	WR29666	2	NUT-HEX,NO. 8-32 UNC	
11	WR37878	2	WASHER-LOCK SPRING #8	
12	WR55178	2	WASHER-FLAT STD,#8	
13	WR29658	2	SCREW-MACH RND 8NCX 1 1/2	
14	WR553557	9	TIE CABLE 7.37 .06-1.37 BLACK	
15	6627047	1	SHIELD-CABLE	
16	WR55036	2	SCREW-CAP HEX M8 X 25	
17	WR55157	1	WASHER-FLAT,8MM ID,	
18	WR55298	2	CLAMP-HOSE,4 1/2 SST	
19	WR38166	1	WIRE ASSY-PWR/CAN COMM,	
20	WR38167	1	SWITCH INTERFACE-SPRYLINK	
21	WR38168	1	CABLE-CAN COMM,SPRAYLINK	
22	WR38169	1	WIRE ASSY-TERMINAL INTFC	
23	WR38170	1	WIRE ASM-PNR/BOOM SW, F/STAR	
24	WR41689	1	MANUAL-SPRAYLINK OPERATOR	
25	WR601888	4	NUT 0.31-18NC HEX ZN REG NY	
26	WR562676	4	BOLT 0.31-18 X 1.00 G5 ZN CAR	
27	WR11074	1	WASHER-NON ASBESTOS	
28	WR55104	4	WASHER-LOCK SPRING,6MM ID	
29	WR562639	4	BOLT M6 1.00X12MM G8.8 ZN HHD	
30	WR37817	1	PLATE-MOUNT,SPRAYLINK	
31	WR37814	1	SUPPORT WLDMT-ADJUST	
32	WR11505	4	NUT-SER FLG, 5/16-18 UNC	
33	WR550183	4	BOLT 0.31-18NCX 0.75 G5 ZN HHD	
34	WR37813	1	SUPPORT-ADJUST	
35	WR38165	1	CONTROLLER-SPRAYLINK	
36	WR37586	1	TERMINAL-FIELDSTAR,W/AGCO	
37	WR37287	1	MOUNT WLDMT-SPEED SENSOR	
38	WR37265	1	PANEL-DASH,FIELDSTAR,SC	
39	WR37816	1	KNOB-CLAMPING, 1/2-13 UNC	
40	WR37877	1	GROMMET-RUBBER,FITS 1.88	
41	WR27621	4	SCREW-MACH BTN SOCHD	
42	6662701	4	STRAP RETAINER	
43	WR29675	-	TAPE-DBL MTG 2 IN W X 1/8 IN TH [BULK: 0.33 FT]	
44	WR37840	1	CABLE-BOOM CONTROL KZ TO	
45	WR37841	1	VALVE-ELECTRIC BALL,	
46	WR37844	1	FLOWMETER-1 IN RAPID CHECK	
47	WR38175	1	SENSOR-SPEED, PROXIMITY	
48	WR38174	1	SENSOR-FLOWMETER W/CABLE	
49	WR38173	1	ADAPTER KIT-FLOWMETER,-20	
50	WR38172	1	CABLE-PRESSURE TRANSDUCER	
51	WR38171	1	TRANSDUCER-PRESSURE,0-10	
52	6511249	4	ADHESIVE-CLAMP,WIRE	
54	6803920	1	BAR-REAR	
55	WR37843	2	STANDOFF-ANTENNA MOUNT,	
56	WR601411	4	NUT 0.37-16NC HEX ZN REG LK NY	
57	WR551503	4	BOLT 0.37-16NCX 0.75 G5 ZN HHD	
58	WR37842	1	MOUNT-GPS ANTENNA	
59	WR520260	1	LOCK-METRIPACK,280/2 WIRE	
60	6641176	2	SEAL-CABLE,#12048086	
61	WR41694	2	CONTACT-FEMALE 150SER. MP	
62	WR41693	1	CONNECTOR-2WAY F MP	
63	WR55277	4	SCREW-MACH FLAT SLT HD,#8	
64	WR41663	1	RECEIVER-GPS, SLX300 5HZ	



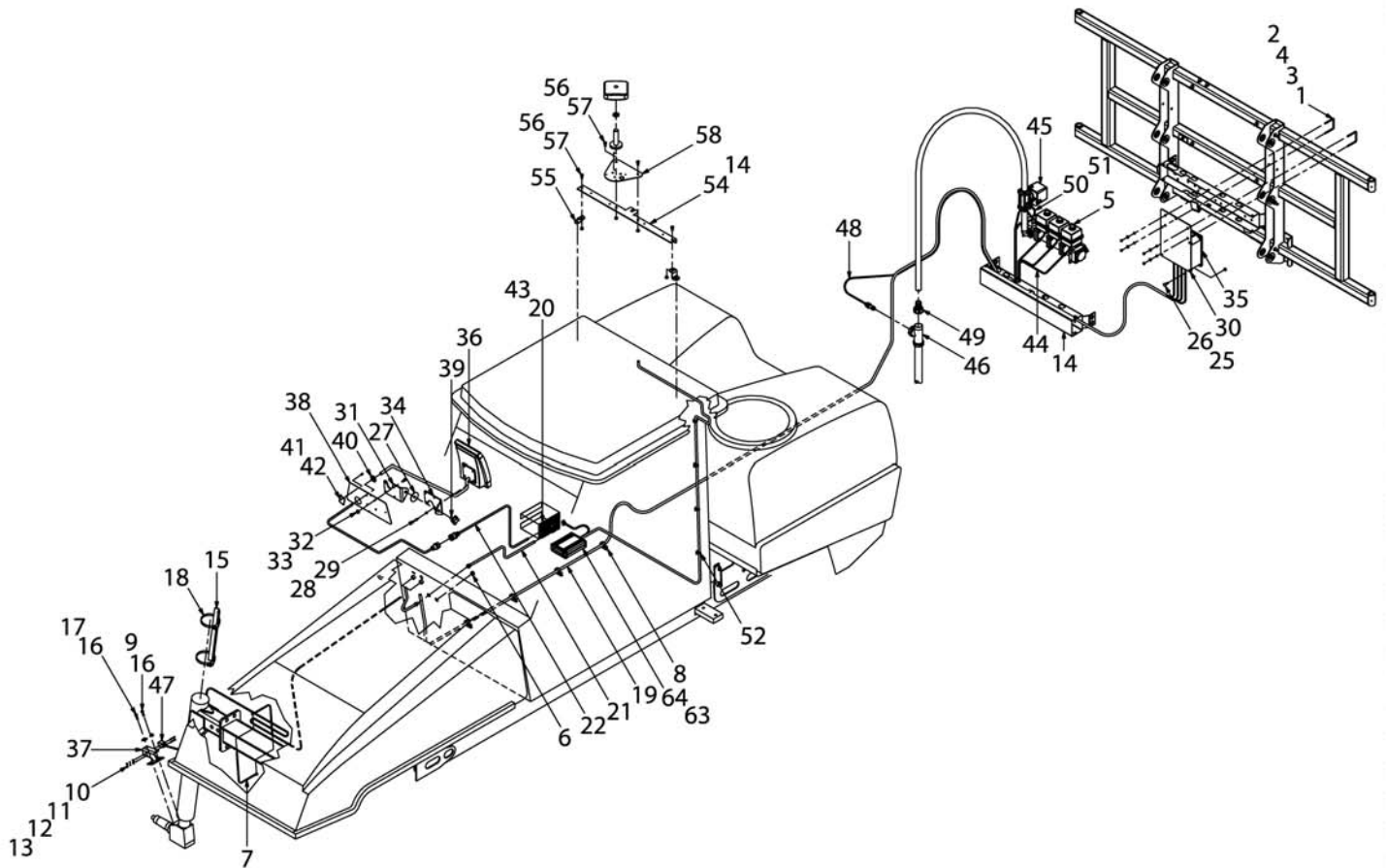
WR01802 - OPT-FIELDSTAR,WF,5VLV

ITEM	PART #	QTY	DESCRIPTION	COMMENTS
0	WR01809	-	OPT-GPS RECEIVER,5HZ,SC	SEE PAGE 5-49
0	WR55865	1	HOSE-NONE(2)-20XPLE X 089	
0	WR39082	1	SENSOR-SPD,PROXIMITY W/DEUTSCH	
0	WR39057	1	WIRE ASM-SPD SNST EXT,SC FSTAR	
0	WR37879	-	INSTL-FIELDSTAR, CTRLT, S/C	SEE PAGE 5-50
1	WR55582	2	U-BOLT,DRAWBAR	
2	WR550612	4	NUT 0.25-20NC HEX ZN REG	
3	WR550507	4	WASHER FL 0.25 ZN REG TYPE-B	
4	WR550493	4	WASHER LK 0.25 ZN REG	
5	WR37874	1	VALVE ASSY-KZ,5 SECTION,	SEE PAGE 5-52
5	WR37871	1	VALVE ASSY-BOOM SHUT OFF	SEE PAGE 5-51
6	6648348	1	PLUG-HOLE	
7	WR562496	2	TIE CABLE 15.0 .18-4.00 BLACK	
8	WR010359	4	CLAMP LOOM 1.25 PER DWG	
9	WR27174	1	CLAMP-SUPPORT,CUSHION,	
10	WR29666	2	NUT-HEX,NO. 8-32 UNC	
11	WR37878	2	WASHER-LOCK SPRING #8	
12	WR55178	2	WASHER-FLAT STD,#8	
13	WR29658	2	SCREW-MACH RND 8NCX 1 1/2	
14	WR553557	9	TIE CABLE 7.37 .06-1.37 BLACK	
15	6627047	1	SHIELD-CABLE	
16	WR55036	2	SCREW-CAP HEX M8 X 25	
17	WR55157	1	WASHER-FLAT,8MM ID,	
18	WR55298	2	CLAMP-HOSE,4 1/2 SST	
19	WR38166	1	WIRE ASSY-PWR/CAN COMM,	
20	WR38167	1	SWITCH INTERFACE-SPRYLINK	
21	WR38168	1	CABLE-CAN COMM,SPRAYLINK	
22	WR38169	1	WIRE ASSY-TERMINAL INTFC	
23	WR38170	1	WIRE ASM-PNR/BOOM SW, F/STAR	
24	WR41689	1	MANUAL-SPRAYLINK OPERATOR	
25	WR601888	4	NUT 0.31-18NC HEX ZN REG NY	
26	WR562676	4	BOLT 0.31-18 X 1.00 G5 ZN CAR	
27	WR11074	1	WASHER-NON ASBESTOS	
28	WR55104	4	WASHER-LOCK SPRING,6MM ID	
29	WR562639	4	BOLT M6 1.00X12MM G8.8 ZN HHD	
30	WR37817	1	PLATE-MOUNT,SPRAYLINK	
31	WR37814	1	SUPPORT WLDMT-ADJUST	
32	WR11505	4	NUT-SER FLG, 5/16-18 UNC	
33	WR550183	4	BOLT 0.31-18NCX 0.75 G5 ZN HHD	
34	WR37813	1	SUPPORT-ADJUST	
35	WR38165	1	CONTROLLER-SPRAYLINK	
36	WR37586	1	TERMINAL-FIELDSTAR,W/AGCO	
37	WR37287	1	MOUNT WLDMT-SPEED SENSOR	
38	WR37265	1	PANEL-DASH,FIELDSTAR,SC	
39	WR37816	1	KNOB-CLAMPING, 1/2-13 UNC	
40	WR37877	1	GROMMET-RUBBER,FITS 1.88	
41	WR27621	4	SCREW-MACH BTN SOCHD	
42	6662701	4	STRAP RETAINER	
43	WR29675	-	TAPE-DBL MTG 2 IN W X 1/8 IN TH [BULK: 0.33 FT]	
44	WR37840	1	CABLE-BOOM CONTROL KZ TO	
45	WR37841	1	VALVE-ELECTRIC BALL,	
46	WR37844	1	FLOWMETER-1 IN RAPID CHECK	
47	WR38175	1	SENSOR-SPEED, PROXIMITY	
48	WR38174	1	SENSOR-FLOWMETER W/CABLE	
49	WR38173	1	ADAPTER KIT-FLOWMETER,-20	
50	WR38172	1	CABLE-PRESSURE TRANSDUCER	
51	WR38171	1	TRANSDUCER-PRESSURE,0-10	
52	6511249	4	ADHESIVE-CLAMP,WIRE	
54	6803920	1	BAR-REAR	
55	WR37843	2	STANDOFF-ANTENNA MOUNT,	
56	WR601411	4	NUT 0.37-16NC HEX ZN REG LK NY	
57	WR551503	4	BOLT 0.37-16NCX 0.75 G5 ZN HHD	
58	WR37842	1	MOUNT-GPS ANTENNA	
59	WR520260	1	LOCK-METRIPACK,280/2 WIRE	
60	6641176	2	SEAL-CABLE,#12048086	
61	WR41694	2	CONTACT-FEMALE 150SER. MP	
62	WR41693	1	CONNECTOR-2WAY F MP	
63	WR55277	4	SCREW-MACH FLAT SLT HD,#8	
64	WR41663	1	RECEIVER-GPS, SLX300 5HZ	



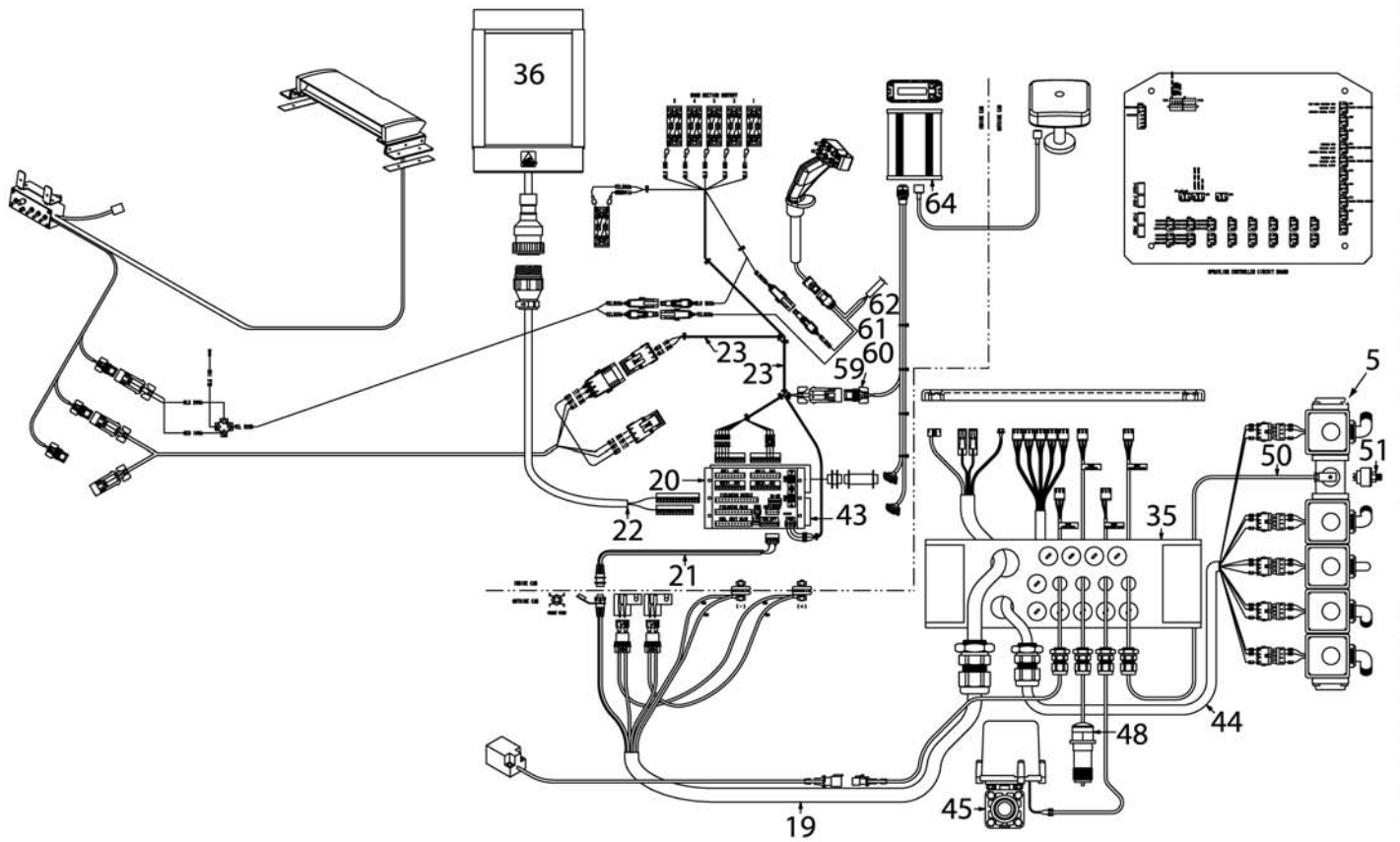
WR01802 - OPT-FIELDSTAR,WF,5VLV

ITEM	PART #	QTY	DESCRIPTION	COMMENTS
0	WR01809	-	OPT-GPS RECEIVER,5HZ,SC	SEE PAGE 5-49
0	WR55865	1	HOSE-NONE(2)-20XPLE X 089	
0	WR39082	1	SENSOR-SPD,PROXIMITY W/DEUTSCH	
0	WR39057	1	WIRE ASM-SPD SNST EXT,SC FSTAR	
0	WR37879	-	INSTL-FIELDSTAR, CTRLT, S/C	SEE PAGE 5-50
1	WR55582	2	U-BOLT,DRAWBAR	
2	WR550612	4	NUT 0.25-20NC HEX ZN REG	
3	WR550507	4	WASHER FL 0.25 ZN REG TYPE-B	
4	WR550493	4	WASHER LK 0.25 ZN REG	
5	WR37874	1	VALVE ASSY-KZ,5 SECTION,	SEE PAGE 5-52
5	WR37871	1	VALVE ASSY-BOOM SHUT OFF	SEE PAGE 5-51
6	6648348	1	PLUG-HOLE	
7	WR562496	2	TIE CABLE 15.0 .18-4.00 BLACK	
8	WR010359	4	CLAMP LOOM 1.25 PER DWG	
9	WR27174	1	CLAMP-SUPPORT,CUSHION,	
10	WR29666	2	NUT-HEX,NO. 8-32 UNC	
11	WR37878	2	WASHER-LOCK SPRING #8	
12	WR55178	2	WASHER-FLAT STD,#8	
13	WR29658	2	SCREW-MACH RND 8NCX 1 1/2	
14	WR553557	9	TIE CABLE 7.37 .06-1.37 BLACK	
15	6627047	1	SHIELD-CABLE	
16	WR55036	2	SCREW-CAP HEX M8 X 25	
17	WR55157	1	WASHER-FLAT,8MM ID,	
18	WR55298	2	CLAMP-HOSE,4 1/2 SST	
19	WR38166	1	WIRE ASSY-PWR/CAN COMM,	
20	WR38167	1	SWITCH INTERFACE-SPRYLINK	
21	WR38168	1	CABLE-CAN COMM,SPRAYLINK	
22	WR38169	1	WIRE ASSY-TERMINAL INTFC	
23	WR38170	1	WIRE ASM-PNR/BOOM SW, F/STAR	
24	WR41689	1	MANUAL-SPRAYLINK OPERATOR	
25	WR601888	4	NUT 0.31-18NC HEX ZN REG NY	
26	WR562676	4	BOLT 0.31-18 X 1.00 G5 ZN CAR	
27	WR11074	1	WASHER-NON ASBESTOS	
28	WR55104	4	WASHER-LOCK SPRING,6MM ID	
29	WR562639	4	BOLT M6 1.00X12MM G8.8 ZN HHD	
30	WR37817	1	PLATE-MOUNT,SPRAYLINK	
31	WR37814	1	SUPPORT WLDMT-ADJUST	
32	WR11505	4	NUT-SER FLG, 5/16-18 UNC	
33	WR550183	4	BOLT 0.31-18NCX 0.75 G5 ZN HHD	
34	WR37813	1	SUPPORT-ADJUST	
35	WR38165	1	CONTROLLER-SPRAYLINK	
36	WR37586	1	TERMINAL-FIELDSTAR,W/AGCO	
37	WR37287	1	MOUNT WLDMT-SPEED SENSOR	
38	WR37265	1	PANEL-DASH,FIELDSTAR,SC	
39	WR37816	1	KNOB-CLAMPING, 1/2-13 UNC	
40	WR37877	1	GROMMET-RUBBER,FITS 1.88	
41	WR27621	4	SCREW-MACH BTN SOCHD	
42	6662701	4	STRAP RETAINER	
43	WR29675	-	TAPE-DBL MTG 2 IN W X 1/8 IN TH [BULK: 0.33 FT]	
44	WR37840	1	CABLE-BOOM CONTROL KZ TO	
45	WR37841	1	VALVE-ELECTRIC BALL,	
46	WR37844	1	FLOWMETER-1 IN RAPID CHECK	
47	WR38175	1	SENSOR-SPEED, PROXIMITY	
48	WR38174	1	SENSOR-FLOWMETER W/CABLE	
49	WR38173	1	ADAPTER KIT-FLOWMETER,-20	
50	WR38172	1	CABLE-PRESSURE TRANSDUCER	
51	WR38171	1	TRANSDUCER-PRESSURE,0-10	
52	6511249	4	ADHESIVE-CLAMP,WIRE	
54	6803920	1	BAR-REAR	
55	WR37843	2	STANDOFF-ANTENNA MOUNT,	
56	WR601411	4	NUT 0.37-16NC HEX ZN REG LK NY	
57	WR551503	4	BOLT 0.37-16NCX 0.75 G5 ZN HHD	
58	WR37842	1	MOUNT-GPS ANTENNA	
59	WR520260	1	LOCK-METRIPACK,280/2 WIRE	
60	6641176	2	SEAL-CABLE,#12048086	
61	WR41694	2	CONTACT-FEMALE 150SER. MP	
62	WR41693	1	CONNECTOR-2WAY F MP	
63	WR55277	4	SCREW-MACH FLAT SLT HD,#8	
64	WR41663	1	RECEIVER-GPS, SLX300 5HZ	



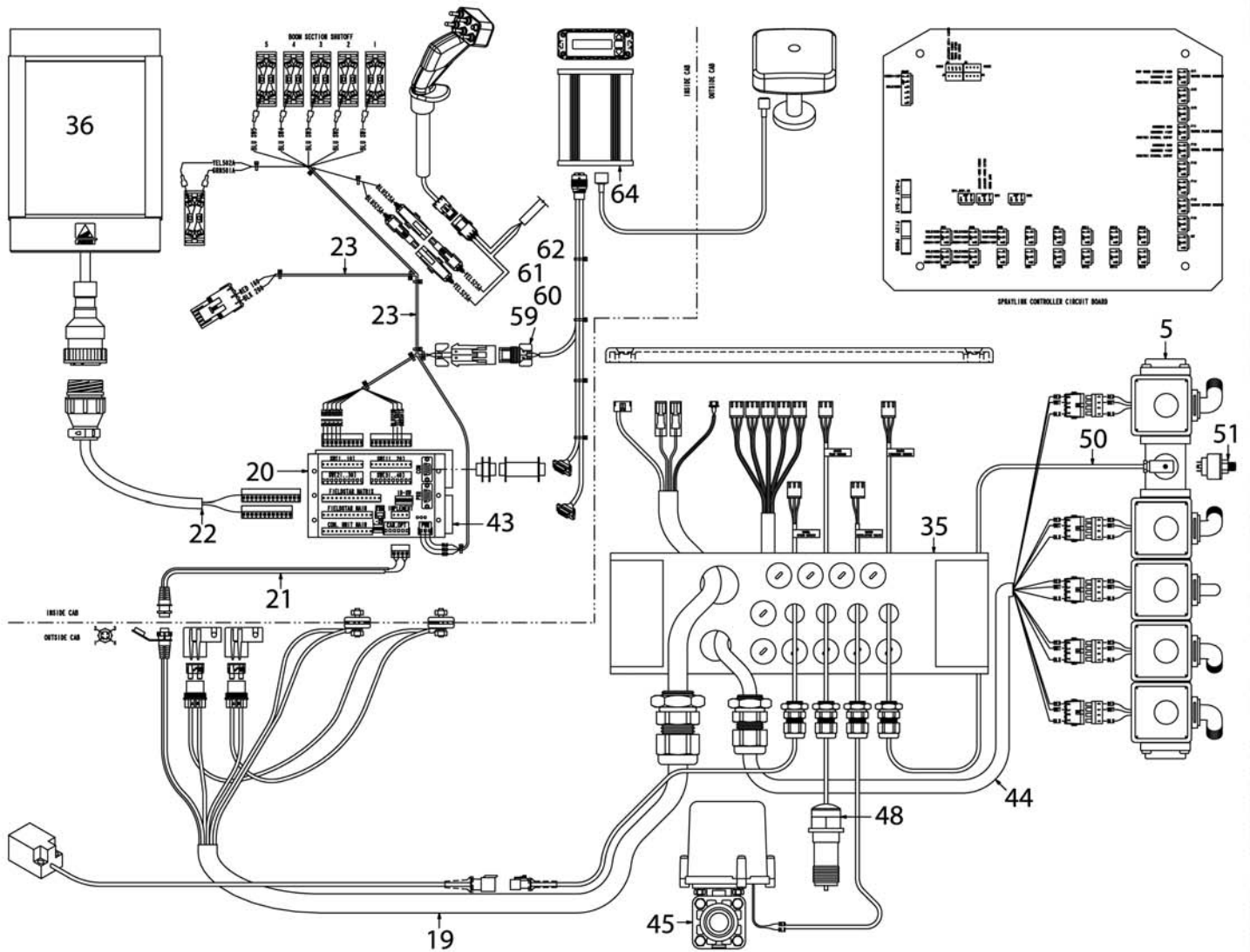
WR01802 - OPT-FIELDSTAR,WF,5VLV

ITEM	PART #	QTY	DESCRIPTION	COMMENTS
0	WR01809	-	OPT-GPS RECEIVER,5HZ,SC	SEE PAGE 5-49
0	WR55865	1	HOSE-NONE(2)-20XPLE X 089	
0	WR39082	1	SENSOR-SPD,PROXIMITY W/DEUTSCH	
0	WR39057	1	WIRE ASM-SPD SNST EXT,SC FSTAR	
0	WR37879	-	INSTL-FIELDSTAR, CTRLT, S/C	SEE PAGE 5-50
1	WR55582	2	U-BOLT,DRAWBAR	
2	WR550612	4	NUT 0.25-20NC HEX ZN REG	
3	WR550507	4	WASHER FL 0.25 ZN REG TYPE-B	
4	WR550493	4	WASHER LK 0.25 ZN REG	
5	WR37874	1	VALVE ASSY-KZ,5 SECTION,	SEE PAGE 5-52
5	WR37871	1	VALVE ASSY-BOOM SHUT OFF	SEE PAGE 5-51
6	6648348	1	PLUG-HOLE	
7	WR562496	2	TIE CABLE 15.0 .18-4.00 BLACK	
8	WR010359	4	CLAMP LOOM 1.25 PER DWG	
9	WR27174	1	CLAMP-SUPPORT,CUSHION,	
10	WR29666	2	NUT-HEX,NO. 8-32 UNC	
11	WR37878	2	WASHER-LOCK SPRING #8	
12	WR55178	2	WASHER-FLAT STD,#8	
13	WR29658	2	SCREW-MACH RND 8NCX 1 1/2	
14	WR553557	9	TIE CABLE 7.37 .06-1.37 BLACK	
15	6627047	1	SHIELD-CABLE	
16	WR55036	2	SCREW-CAP HEX M8 X 25	
17	WR55157	1	WASHER-FLAT,8MM ID,	
18	WR55298	2	CLAMP-HOSE,4 1/2 SST	
19	WR38166	1	WIRE ASSY-PWR/CAN COMM,	
20	WR38167	1	SWITCH INTERFACE-SPRYLINK	
21	WR38168	1	CABLE-CAN COMM,SPRAYLINK	
22	WR38169	1	WIRE ASSY-TERMINAL INTFC	
23	WR38170	1	WIRE ASM-PNR/BOOM SW, F/STAR	
24	WR41689	1	MANUAL-SPRAYLINK OPERATOR	
25	WR601888	4	NUT 0.31-18NC HEX ZN REG NY	
26	WR562676	4	BOLT 0.31-18 X 1.00 G5 ZN CAR	
27	WR11074	1	WASHER-NON ASBESTOS	
28	WR55104	4	WASHER-LOCK SPRING,6MM ID	
29	WR562639	4	BOLT M6 1.00X12MM G8.8 ZN HHD	
30	WR37817	1	PLATE-MOUNT,SPRAYLINK	
31	WR37814	1	SUPPORT WLDMT-ADJUST	
32	WR11505	4	NUT-SER FLG, 5/16-18 UNC	
33	WR550183	4	BOLT 0.31-18NCX 0.75 G5 ZN HHD	
34	WR37813	1	SUPPORT-ADJUST	
35	WR38165	1	CONTROLLER-SPRAYLINK	
36	WR37586	1	TERMINAL-FIELDSTAR,W/AGCO	
37	WR37287	1	MOUNT WLDMT-SPEED SENSOR	
38	WR37265	1	PANEL-DASH,FIELDSTAR,SC	
39	WR37816	1	KNOB-CLAMPING, 1/2-13 UNC	
40	WR37877	1	GROMMET-RUBBER,FITS 1.88	
41	WR27621	4	SCREW-MACH BTN SOCHD	
42	6662701	4	STRAP RETAINER	
43	WR29675	-	TAPE-DBL MTG 2 IN W X 1/8 IN TH [BULK: 0.33 FT]	
44	WR37840	1	CABLE-BOOM CONTROL KZ TO	
45	WR37841	1	VALVE-ELECTRIC BALL,	
46	WR37844	1	FLOWMETER-1 IN RAPID CHECK	
47	WR38175	1	SENSOR-SPEED, PROXIMITY	
48	WR38174	1	SENSOR-FLOWMETER W/CABLE	
49	WR38173	1	ADAPTER KIT-FLOWMETER,-20	
50	WR38172	1	CABLE-PRESSURE TRANSDUCER	
51	WR38171	1	TRANSDUCER-PRESSURE,0-10	
52	6511249	4	ADHESIVE-CLAMP,WIRE	
54	6803920	1	BAR-REAR	
55	WR37843	2	STANDOFF-ANTENNA MOUNT,	
56	WR601411	4	NUT 0.37-16NC HEX ZN REG LK NY	
57	WR551503	4	BOLT 0.37-16NCX 0.75 G5 ZN HHD	
58	WR37842	1	MOUNT-GPS ANTENNA	
59	WR520260	1	LOCK-METRIPACK,280/2 WIRE	
60	6641176	2	SEAL-CABLE,#12048086	
61	WR41694	2	CONTACT-FEMALE 150SER. MP	
62	WR41693	1	CONNECTOR-2WAY F MP	
63	WR55277	4	SCREW-MACH FLAT SLT HD,#8	
64	WR41663	1	RECEIVER-GPS, SLX300 5HZ	



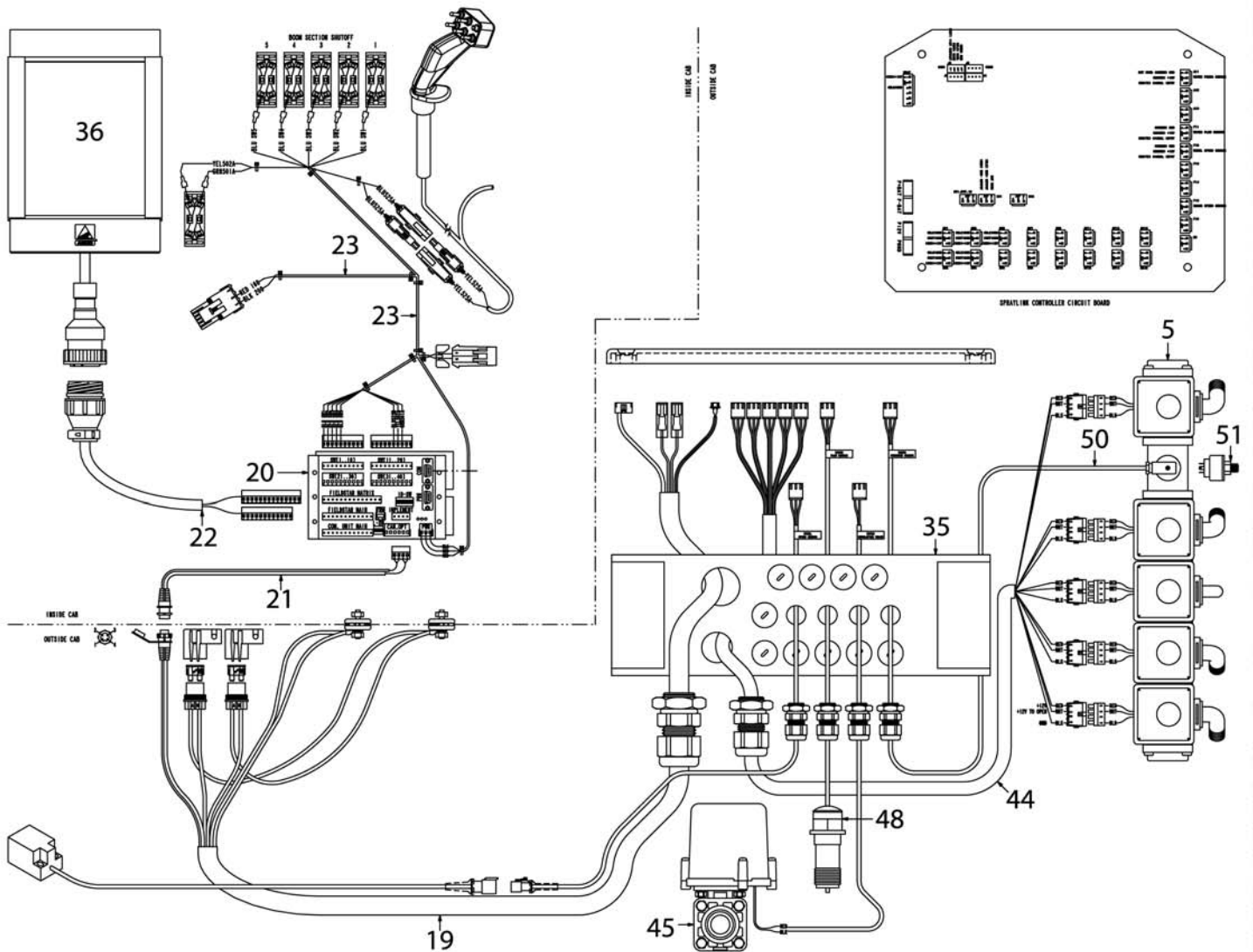
WR01803 - OPT-FIELDSTAR,WF,3VLV,W/O

ITEM	PART #	QTY	DESCRIPTION	COMMENTS
0	WR01809	-	OPT-GPS RECEIVER,5HZ,SC	SEE PAGE 5-49
0	WR55865	1	HOSE-NONE(2)-20XPLE X 089	
0	WR39082	1	SENSOR-SPD,PROXIMITY W/DEUTSCH	
0	WR39057	1	WIRE ASM-SPD SNST EXT,SC FSTAR	
0	WR37879	-	INSTL-FIELDSTAR, CTRLT, S/C	SEE PAGE 5-50
1	WR55582	2	U-BOLT,DRAWBAR	
2	WR550612	4	NUT 0.25-20NC HEX ZN REG	
3	WR550507	4	WASHER FL 0.25 ZN REG TYPE-B	
4	WR550493	4	WASHER LK 0.25 ZN REG	
5	WR37874	1	VALVE ASSY-KZ,5 SECTION,	SEE PAGE 5-52
5	WR37871	1	VALVE ASSY-BOOM SHUT OFF	SEE PAGE 5-51
6	6648348	1	PLUG-HOLE	
7	WR562496	2	TIE CABLE 15.0 .18-4.00 BLACK	
8	WR010359	4	CLAMP LOOM 1.25 PER DWG	
9	WR27174	1	CLAMP-SUPPORT,CUSHION,	
10	WR29666	2	NUT-HEX,NO. 8-32 UNC	
11	WR37878	2	WASHER-LOCK SPRING #8	
12	WR55178	2	WASHER-FLAT STD,#8	
13	WR29658	2	SCREW-MACH RND 8NCX 1 1/2	
14	6610510	9	TIE-NYLON R/B 553557	
15	6627047	1	SHIELD-CABLE	
16	WR55036	2	SCREW-CAP HEX M8 X 25	
17	WR55157	1	WASHER-FLAT,8MM ID,	
18	WR55298	2	CLAMP-HOSE,4 1/2 SST	
19	WR38166	1	WIRE ASSY-PWR/CAN COMM,	
20	WR38167	1	SWITCH INTERFACE-SPRYLINK	
21	WR38168	1	CABLE-CAN COMM,SPRAYLINK	
22	WR38169	1	WIRE ASSY-TERMINAL INTFC	
23	WR38170	1	WIRE ASM-PNR/BOOM SW, F/STAR	
24	WR41689	1	MANUAL-SPRAYLINK OPERATOR	
25	WR601888	4	NUT 0.31-18NC HEX ZN REG NY	
26	WR562676	4	BOLT 0.31-18 X 1.00 G5 ZN CAR	
27	WR11074	1	WASHER-NON ASBESTOS	
28	WR55104	4	WASHER-LOCK SPRING,6MM ID	
29	WR562639	4	BOLT M6 1.00X12MM G8.8 ZN HHD	
30	WR37817	1	PLATE-MOUNT,SPRAYLINK	
31	WR37814	1	SUPPORT WLDMT-ADJUST	
32	WR11505	4	NUT-SER FLG, 5/16-18 UNC	
33	WR550183	4	BOLT 0.31-18NCX 0.75 G5 ZN HHD	
34	WR37813	1	SUPPORT-ADJUST	
35	WR38165	1	CONTROLLER-SPRAYLINK	
36	WR37586	1	TERMINAL-FIELDSTAR,W/AGCO	
37	WR37287	1	MOUNT WLDMT-SPEED SENSOR	
38	WR37265	1	PANEL-DASH,FIELDSTAR,SC	
39	WR37816	1	KNOB-CLAMPING, 1/2-13 UNC	
40	WR37877	1	GROMMET-RUBBER,FITS 1.88	
41	WR27621	4	SCREW-MACH BTN SOCHD	
42	6662701	4	STRAP RETAINER	
43	WR29675	-	TAPE-DBL MTG 2 IN W X 1/8 IN TH [BULK: 0.33 FT]	
44	WR37840	1	CABLE-BOOM CONTROL KZ TO	
45	WR37841	1	VALVE-ELECTRIC BALL,	
46	WR37844	1	FLOWMETER-1 IN RAPID CHECK	
47	WR38175	1	SENSOR-SPEED, PROXIMITY	
48	WR38174	1	SENSOR-FLOWMETER W/CABLE	
49	WR38173	1	ADAPTER KIT-FLOWMETER,-20	
50	WR38172	1	CABLE-PRESSURE TRANSDUCER	
51	WR38171	1	TRANSDUCER-PRESSURE,0-10	
52	6511249	4	ADHESIVE-CLAMP,WIRE	
54	6803920	1	BAR-REAR	
55	WR37843	2	STANDOFF-ANTENNA MOUNT,	
56	WR601411	4	NUT 0.37-16NC HEX ZN REG LK NY	
57	WR551503	4	BOLT 0.37-16NCX 0.75 G5 ZN HHD	
58	WR37842	1	MOUNT-GPS ANTENNA	
59	WR520260	1	LOCK-METRIPACK,280/2 WIRE	
60	6641176	2	SEAL-CABLE,#12048086	
61	WR41694	2	CONTACT-FEMALE 150SER. MP	
62	WR41693	1	CONNECTOR-2WAY F MP	
63	WR55277	4	SCREW-MACH FLAT SLT HD,#8	
64	WR41663	1	RECEIVER-GPS, SLX300 5HZ	



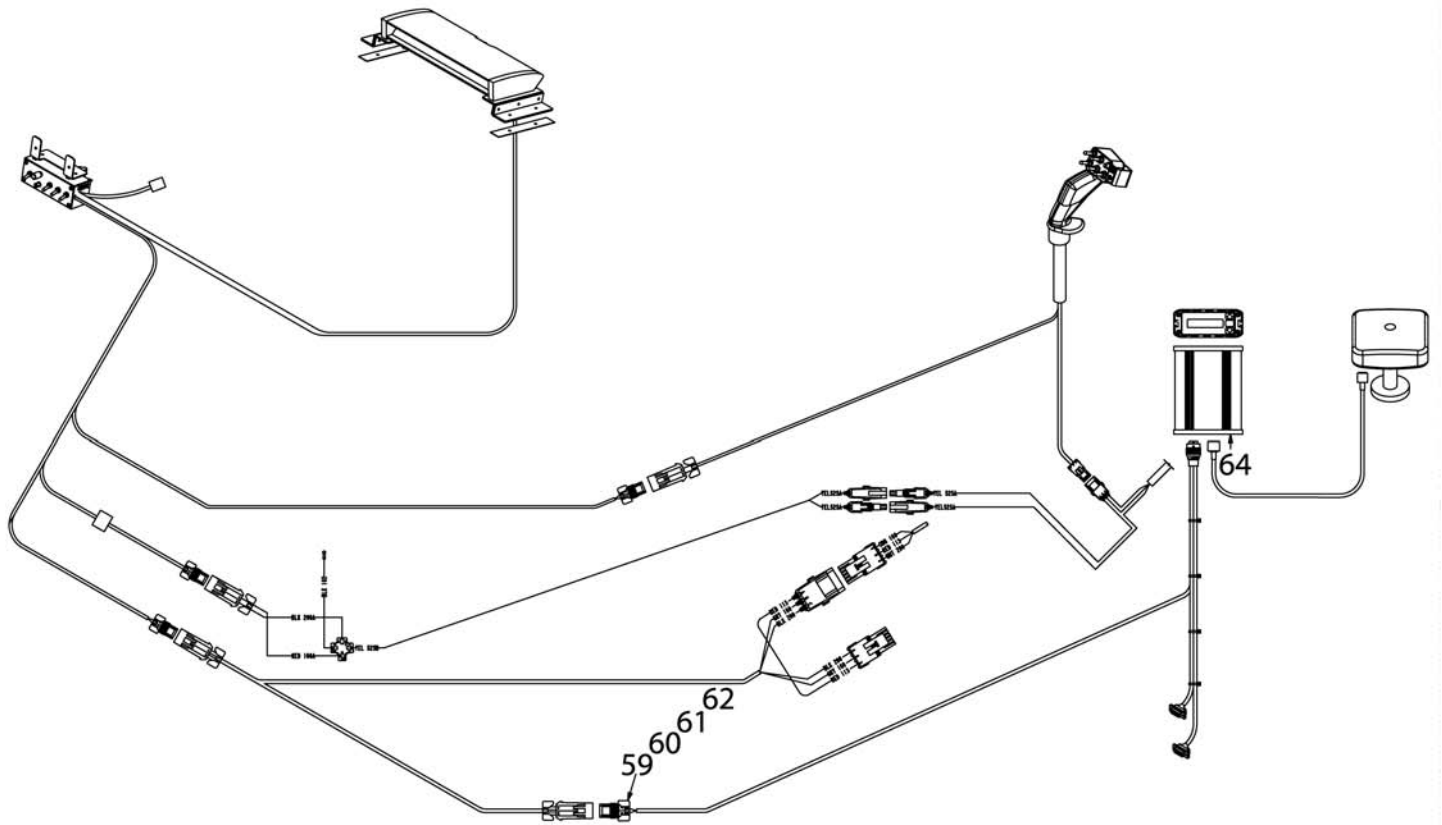
WR01803 - OPT-FIELDSTAR,WF,3VLV,W/O

ITEM	PART #	QTY	DESCRIPTION	COMMENTS
0	WR01809	-	OPT-GPS RECEIVER,5HZ,SC	SEE PAGE 5-49
0	WR55865	1	HOSE-NONE(2)-20XPLE X 089	
0	WR39082	1	SENSOR-SPD,PROXIMITY W/DEUTSCH	
0	WR39057	1	WIRE ASM-SPD SNST EXT,SC FSTAR	
0	WR37879	-	INSTL-FIELDSTAR, CTRLT, S/C	SEE PAGE 5-50
1	WR55582	2	U-BOLT,DRAWBAR	
2	WR550612	4	NUT 0.25-20NC HEX ZN REG	
3	WR550507	4	WASHER FL 0.25 ZN REG TYPE-B	
4	WR550493	4	WASHER LK 0.25 ZN REG	
5	WR37874	1	VALVE ASSY-KZ,5 SECTION,	SEE PAGE 5-52
5	WR37871	1	VALVE ASSY-BOOM SHUT OFF	SEE PAGE 5-51
6	6648348	1	PLUG-HOLE	
7	WR562496	2	TIE CABLE 15.0 .18-4.00 BLACK	
8	WR010359	4	CLAMP LOOM 1.25 PER DWG	
9	WR27174	1	CLAMP-SUPPORT,CUSHION,	
10	WR29666	2	NUT-HEX,NO. 8-32 UNC	
11	WR37878	2	WASHER-LOCK SPRING #8	
12	WR55178	2	WASHER-FLAT STD,#8	
13	WR29658	2	SCREW-MACH RND 8NCX 1 1/2	
14	6610510	9	TIE-NYLON R/B 553557	
15	6627047	1	SHIELD-CABLE	
16	WR55036	2	SCREW-CAP HEX M8 X 25	
17	WR55157	1	WASHER-FLAT,8MM ID,	
18	WR55298	2	CLAMP-HOSE,4 1/2 SST	
19	WR38166	1	WIRE ASSY-PWR/CAN COMM,	
20	WR38167	1	SWITCH INTERFACE-SPRYLINK	
21	WR38168	1	CABLE-CAN COMM,SPRAYLINK	
22	WR38169	1	WIRE ASSY-TERMINAL INTFC	
23	WR38170	1	WIRE ASM-PNR/BOOM SW, F/STAR	
24	WR41689	1	MANUAL-SPRAYLINK OPERATOR	
25	WR601888	4	NUT 0.31-18NC HEX ZN REG NY	
26	WR562676	4	BOLT 0.31-18 X 1.00 G5 ZN CAR	
27	WR11074	1	WASHER-NON ASBESTOS	
28	WR55104	4	WASHER-LOCK SPRING,6MM ID	
29	WR562639	4	BOLT M6 1.00X12MM G8.8 ZN HHD	
30	WR37817	1	PLATE-MOUNT,SPRAYLINK	
31	WR37814	1	SUPPORT WLDMT-ADJUST	
32	WR11505	4	NUT-SER FLG, 5/16-18 UNC	
33	WR550183	4	BOLT 0.31-18NCX 0.75 G5 ZN HHD	
34	WR37813	1	SUPPORT-ADJUST	
35	WR38165	1	CONTROLLER-SPRAYLINK	
36	WR37586	1	TERMINAL-FIELDSTAR,W/AGCO	
37	WR37287	1	MOUNT WLDMT-SPEED SENSOR	
38	WR37265	1	PANEL-DASH,FIELDSTAR,SC	
39	WR37816	1	KNOB-CLAMPING, 1/2-13 UNC	
40	WR37877	1	GROMMET-RUBBER,FITS 1.88	
41	WR27621	4	SCREW-MACH BTN SOCHD	
42	6662701	4	STRAP RETAINER	
43	WR29675	-	TAPE-DBL MTG 2 IN W X 1/8 IN TH [BULK: 0.33 FT]	
44	WR37840	1	CABLE-BOOM CONTROL KZ TO	
45	WR37841	1	VALVE-ELECTRIC BALL,	
46	WR37844	1	FLOWMETER-1 IN RAPID CHECK	
47	WR38175	1	SENSOR-SPEED, PROXIMITY	
48	WR38174	1	SENSOR-FLOWMETER W/CABLE	
49	WR38173	1	ADAPTER KIT-FLOWMETER,-20	
50	WR38172	1	CABLE-PRESSURE TRANSDUCER	
51	WR38171	1	TRANSDUCER-PRESSURE,0-10	
52	6511249	4	ADHESIVE-CLAMP,WIRE	
54	6803920	1	BAR-REAR	
55	WR37843	2	STANDOFF-ANTENNA MOUNT,	
56	WR601411	4	NUT 0.37-16NC HEX ZN REG LK NY	
57	WR551503	4	BOLT 0.37-16NCX 0.75 G5 ZN HHD	
58	WR37842	1	MOUNT-GPS ANTENNA	
59	WR520260	1	LOCK-METRIPACK,280/2 WIRE	
60	6641176	2	SEAL-CABLE,#12048086	
61	WR41694	2	CONTACT-FEMALE 150SER. MP	
62	WR41693	1	CONNECTOR-2WAY F MP	
63	WR55277	4	SCREW-MACH FLAT SLT HD,#8	
64	WR41663	1	RECEIVER-GPS, SLX300 5HZ	



WR01803 - OPT-FIELDSTAR,WF,3VLV,W/O

ITEM	PART #	QTY	DESCRIPTION	COMMENTS
0	WR01809	-	OPT-GPS RECEIVER,5HZ,SC	SEE PAGE 5-49
0	WR55865	1	HOSE-NONE(2)-20XPLE X 089	
0	WR39082	1	SENSOR-SPD,PROXIMITY W/DEUTSCH	
0	WR39057	1	WIRE ASM-SPD SNST EXT,SC FSTAR	
0	WR37879	-	INSTL-FIELDSTAR, CTRLT, S/C	SEE PAGE 5-50
1	WR55582	2	U-BOLT,DRAWBAR	
2	WR550612	4	NUT 0.25-20NC HEX ZN REG	
3	WR550507	4	WASHER FL 0.25 ZN REG TYPE-B	
4	WR550493	4	WASHER LK 0.25 ZN REG	
5	WR37874	1	VALVE ASSY-KZ,5 SECTION,	SEE PAGE 5-52
5	WR37871	1	VALVE ASSY-BOOM SHUT OFF	SEE PAGE 5-51
6	6648348	1	PLUG-HOLE	
7	WR562496	2	TIE CABLE 15.0 .18-4.00 BLACK	
8	WR010359	4	CLAMP LOOM 1.25 PER DWG	
9	WR27174	1	CLAMP-SUPPORT,CUSHION,	
10	WR29666	2	NUT-HEX,NO. 8-32 UNC	
11	WR37878	2	WASHER-LOCK SPRING #8	
12	WR55178	2	WASHER-FLAT STD,#8	
13	WR29658	2	SCREW-MACH RND 8NCX 1 1/2	
14	6610510	9	TIE-NYLON R/B 553557	
15	6627047	1	SHIELD-CABLE	
16	WR55036	2	SCREW-CAP HEX M8 X 25	
17	WR55157	1	WASHER-FLAT,8MM ID,	
18	WR55298	2	CLAMP-HOSE,4 1/2 SST	
19	WR38166	1	WIRE ASSY-PWR/CAN COMM,	
20	WR38167	1	SWITCH INTERFACE-SPRYLINK	
21	WR38168	1	CABLE-CAN COMM,SPRAYLINK	
22	WR38169	1	WIRE ASSY-TERMINAL INTFC	
23	WR38170	1	WIRE ASM-PNR/BOOM SW, F/STAR	
24	WR41689	1	MANUAL-SPRAYLINK OPERATOR	
25	WR601888	4	NUT 0.31-18NC HEX ZN REG NY	
26	WR562676	4	BOLT 0.31-18 X 1.00 G5 ZN CAR	
27	WR11074	1	WASHER-NON ASBESTOS	
28	WR55104	4	WASHER-LOCK SPRING,6MM ID	
29	WR562639	4	BOLT M6 1.00X12MM G8.8 ZN HHD	
30	WR37817	1	PLATE-MOUNT,SPRAYLINK	
31	WR37814	1	SUPPORT WLDMT-ADJUST	
32	WR11505	4	NUT-SER FLG, 5/16-18 UNC	
33	WR550183	4	BOLT 0.31-18NCX 0.75 G5 ZN HHD	
34	WR37813	1	SUPPORT-ADJUST	
35	WR38165	1	CONTROLLER-SPRAYLINK	
36	WR37586	1	TERMINAL-FIELDSTAR,W/AGCO	
37	WR37287	1	MOUNT WLDMT-SPEED SENSOR	
38	WR37265	1	PANEL-DASH,FIELDSTAR,SC	
39	WR37816	1	KNOB-CLAMPING, 1/2-13 UNC	
40	WR37877	1	GROMMET-RUBBER,FITS 1.88	
41	WR27621	4	SCREW-MACH BTN SOCHD	
42	6662701	4	STRAP RETAINER	
43	WR29675	-	TAPE-DBL MTG 2 IN W X 1/8 IN TH [BULK: 0.33 FT]	
44	WR37840	1	CABLE-BOOM CONTROL KZ TO	
45	WR37841	1	VALVE-ELECTRIC BALL,	
46	WR37844	1	FLOWMETER-1 IN RAPID CHECK	
47	WR38175	1	SENSOR-SPEED, PROXIMITY	
48	WR38174	1	SENSOR-FLOWMETER W/CABLE	
49	WR38173	1	ADAPTER KIT-FLOWMETER,-20	
50	WR38172	1	CABLE-PRESSURE TRANSDUCER	
51	WR38171	1	TRANSDUCER-PRESSURE,0-10	
52	6511249	4	ADHESIVE-CLAMP,WIRE	
54	6803920	1	BAR-REAR	
55	WR37843	2	STANDOFF-ANTENNA MOUNT,	
56	WR601411	4	NUT 0.37-16NC HEX ZN REG LK NY	
57	WR551503	4	BOLT 0.37-16NCX 0.75 G5 ZN HHD	
58	WR37842	1	MOUNT-GPS ANTENNA	
59	WR520260	1	LOCK-METRIPACK,280/2 WIRE	
60	6641176	2	SEAL-CABLE,#12048086	
61	WR41694	2	CONTACT-FEMALE 150SER. MP	
62	WR41693	1	CONNECTOR-2WAY F MP	
63	WR55277	4	SCREW-MACH FLAT SLT HD,#8	
64	WR41663	1	RECEIVER-GPS, SLX300 5HZ	

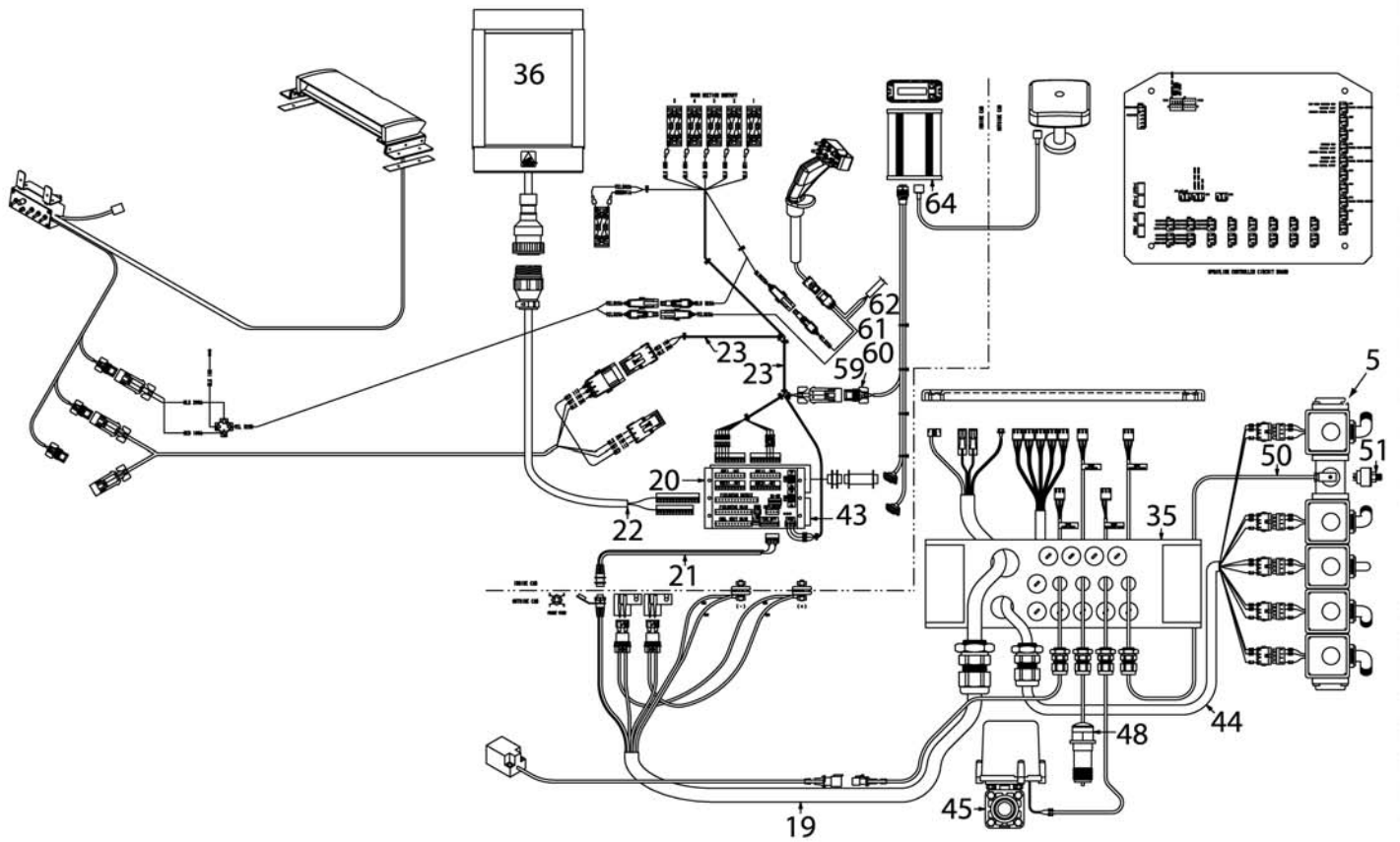


WR01803 - OPT-FIELDSTAR,WF,3VLV,W/O

ITEM	PART #	QTY	DESCRIPTION	COMMENTS
0	WR01809	-	OPT-GPS RECEIVER,5HZ,SC	SEE PAGE 5-49
0	WR55865	1	HOSE-NONE(2)-20XPLE X 089	
0	WR39082	1	SENSOR-SPD,PROXIMITY W/DEUTSCH	
0	WR39057	1	WIRE ASM-SPD SNST EXT,SC FSTAR	
0	WR37879	-	INSTL-FIELDSTAR, CTRLT, S/C	SEE PAGE 5-50
1	WR55582	2	U-BOLT,DRAWBAR	
2	WR550612	4	NUT 0.25-20NC HEX ZN REG	
3	WR550507	4	WASHER FL 0.25 ZN REG TYPE-B	
4	WR550493	4	WASHER LK 0.25 ZN REG	
5	WR37874	1	VALVE ASSY-KZ,5 SECTION,	SEE PAGE 5-52
5	WR37871	1	VALVE ASSY-BOOM SHUT OFF	SEE PAGE 5-51
6	6648348	1	PLUG-HOLE	
7	WR562496	2	TIE CABLE 15.0 .18-4.00 BLACK	
8	WR010359	4	CLAMP LOOM 1.25 PER DWG	
9	WR27174	1	CLAMP-SUPPORT,CUSHION,	
10	WR29666	2	NUT-HEX,NO. 8-32 UNC	
11	WR37878	2	WASHER-LOCK SPRING #8	
12	WR55178	2	WASHER-FLAT STD,#8	
13	WR29658	2	SCREW-MACH RND 8NCX 1 1/2	
14	6610510	9	TIE-NYLON R/B 553557	
15	6627047	1	SHIELD-CABLE	
16	WR55036	2	SCREW-CAP HEX M8 X 25	
17	WR55157	1	WASHER-FLAT,8MM ID,	
18	WR55298	2	CLAMP-HOSE,4 1/2 SST	
19	WR38166	1	WIRE ASSY-PWR/CAN COMM,	
20	WR38167	1	SWITCH INTERFACE-SPRYLINK	
21	WR38168	1	CABLE-CAN COMM,SPRAYLINK	
22	WR38169	1	WIRE ASSY-TERMINAL INTFC	
23	WR38170	1	WIRE ASM-PNR/BOOM SW, F/STAR	
24	WR41689	1	MANUAL-SPRAYLINK OPERATOR	
25	WR601888	4	NUT 0.31-18NC HEX ZN REG NY	
26	WR562676	4	BOLT 0.31-18 X 1.00 G5 ZN CAR	
27	WR11074	1	WASHER-NON ASBESTOS	
28	WR55104	4	WASHER-LOCK SPRING,6MM ID	
29	WR562639	4	BOLT M6 1.00X12MM G8.8 ZN HHD	
30	WR37817	1	PLATE-MOUNT,SPRAYLINK	
31	WR37814	1	SUPPORT WLDMT-ADJUST	
32	WR11505	4	NUT-SER FLG, 5/16-18 UNC	
33	WR550183	4	BOLT 0.31-18NCX 0.75 G5 ZN HHD	
34	WR37813	1	SUPPORT-ADJUST	
35	WR38165	1	CONTROLLER-SPRAYLINK	
36	WR37586	1	TERMINAL-FIELDSTAR,W/AGCO	
37	WR37287	1	MOUNT WLDMT-SPEED SENSOR	
38	WR37265	1	PANEL-DASH,FIELDSTAR,SC	
39	WR37816	1	KNOB-CLAMPING, 1/2-13 UNC	
40	WR37877	1	GROMMET-RUBBER,FITS 1.88	
41	WR27621	4	SCREW-MACH BTN SOCHD	
42	6662701	4	STRAP RETAINER	
43	WR29675	-	TAPE-DBL MTG 2 IN W X 1/8 IN TH [BULK: 0.33 FT]	
44	WR37840	1	CABLE-BOOM CONTROL KZ TO	
45	WR37841	1	VALVE-ELECTRIC BALL,	
46	WR37844	1	FLOWMETER-1 IN RAPID CHECK	
47	WR38175	1	SENSOR-SPEED, PROXIMITY	
48	WR38174	1	SENSOR-FLOWMETER W/CABLE	
49	WR38173	1	ADAPTER KIT-FLOWMETER,-20	
50	WR38172	1	CABLE-PRESSURE TRANSDUCER	
51	WR38171	1	TRANSDUCER-PRESSURE,0-10	
52	6511249	4	ADHESIVE-CLAMP,WIRE	
54	6803920	1	BAR-REAR	
55	WR37843	2	STANDOFF-ANTENNA MOUNT,	
56	WR601411	4	NUT 0.37-16NC HEX ZN REG LK NY	
57	WR551503	4	BOLT 0.37-16NCX 0.75 G5 ZN HHD	
58	WR37842	1	MOUNT-GPS ANTENNA	
59	WR520260	1	LOCK-METRIPACK,280/2 WIRE	
60	6641176	2	SEAL-CABLE,#12048086	
61	WR41694	2	CONTACT-FEMALE 150SER. MP	
62	WR41693	1	CONNECTOR-2WAY F MP	
63	WR55277	4	SCREW-MACH FLAT SLT HD,#8	
64	WR41663	1	RECEIVER-GPS, SLX300 5HZ	

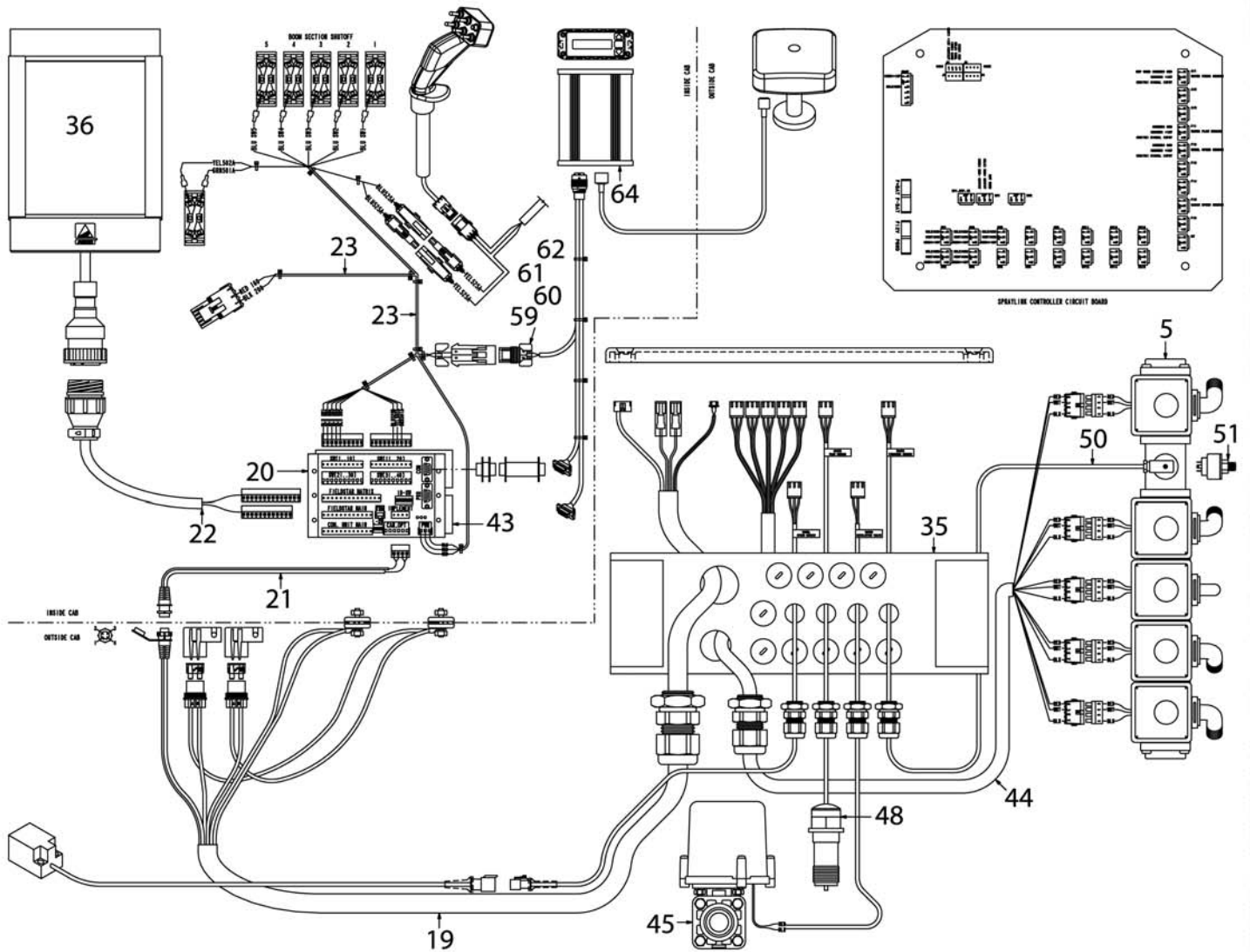
WR01803 - OPT-FIELDSTAR,WF,3VLV,W/O

ITEM	PART #	QTY	DESCRIPTION	COMMENTS
0	WR01809	-	OPT-GPS RECEIVER,5HZ,SC	SEE PAGE 5-49
0	WR55865	1	HOSE-NONE(2)-20XPLE X 089	
0	WR39082	1	SENSOR-SPD,PROXIMITY W/DEUTSCH	
0	WR39057	1	WIRE ASM-SPD SNST EXT,SC FSTAR	
0	WR37879	-	INSTL-FIELDSTAR, CTRLT, S/C	SEE PAGE 5-50
1	WR55582	2	U-BOLT,DRAWBAR	
2	WR550612	4	NUT 0.25-20NC HEX ZN REG	
3	WR550507	4	WASHER FL 0.25 ZN REG TYPE-B	
4	WR550493	4	WASHER LK 0.25 ZN REG	
5	WR37874	1	VALVE ASSY-KZ,5 SECTION,	SEE PAGE 5-52
5	WR37871	1	VALVE ASSY-BOOM SHUT OFF	SEE PAGE 5-51
6	6648348	1	PLUG-HOLE	
7	WR562496	2	TIE CABLE 15.0 .18-4.00 BLACK	
8	WR010359	4	CLAMP LOOM 1.25 PER DWG	
9	WR27174	1	CLAMP-SUPPORT,CUSHION,	
10	WR29666	2	NUT-HEX,NO. 8-32 UNC	
11	WR37878	2	WASHER-LOCK SPRING #8	
12	WR55178	2	WASHER-FLAT STD,#8	
13	WR29658	2	SCREW-MACH RND 8NCX 1 1/2	
14	6610510	9	TIE-NYLON R/B 553557	
15	6627047	1	SHIELD-CABLE	
16	WR55036	2	SCREW-CAP HEX M8 X 25	
17	WR55157	1	WASHER-FLAT,8MM ID,	
18	WR55298	2	CLAMP-HOSE,4 1/2 SST	
19	WR38166	1	WIRE ASSY-PWR/CAN COMM,	
20	WR38167	1	SWITCH INTERFACE-SPRYLINK	
21	WR38168	1	CABLE-CAN COMM,SPRAYLINK	
22	WR38169	1	WIRE ASSY-TERMINAL INTFC	
23	WR38170	1	WIRE ASM-PNR/BOOM SW, F/STAR	
24	WR41689	1	MANUAL-SPRAYLINK OPERATOR	
25	WR601888	4	NUT 0.31-18NC HEX ZN REG NY	
26	WR562676	4	BOLT 0.31-18 X 1.00 G5 ZN CAR	
27	WR11074	1	WASHER-NON ASBESTOS	
28	WR55104	4	WASHER-LOCK SPRING,6MM ID	
29	WR562639	4	BOLT M6 1.00X12MM G8.8 ZN HHD	
30	WR37817	1	PLATE-MOUNT,SPRAYLINK	
31	WR37814	1	SUPPORT WLDMT-ADJUST	
32	WR11505	4	NUT-SER FLG, 5/16-18 UNC	
33	WR550183	4	BOLT 0.31-18NCX 0.75 G5 ZN HHD	
34	WR37813	1	SUPPORT-ADJUST	
35	WR38165	1	CONTROLLER-SPRAYLINK	
36	WR37586	1	TERMINAL-FIELDSTAR,W/AGCO	
37	WR37287	1	MOUNT WLDMT-SPEED SENSOR	
38	WR37265	1	PANEL-DASH,FIELDSTAR,SC	
39	WR37816	1	KNOB-CLAMPING, 1/2-13 UNC	
40	WR37877	1	GROMMET-RUBBER,FITS 1.88	
41	WR27621	4	SCREW-MACH BTN SOCHD	
42	6662701	4	STRAP RETAINER	
43	WR29675	-	TAPE-DBL MTG 2 IN W X 1/8 IN TH [BULK: 0.33 FT]	
44	WR37840	1	CABLE-BOOM CONTROL KZ TO	
45	WR37841	1	VALVE-ELECTRIC BALL,	
46	WR37844	1	FLOWMETER-1 IN RAPID CHECK	
47	WR38175	1	SENSOR-SPEED, PROXIMITY	
48	WR38174	1	SENSOR-FLOWMETER W/CABLE	
49	WR38173	1	ADAPTER KIT-FLOWMETER,-20	
50	WR38172	1	CABLE-PRESSURE TRANSDUCER	
51	WR38171	1	TRANSDUCER-PRESSURE,0-10	
52	6511249	4	ADHESIVE-CLAMP,WIRE	
54	6803920	1	BAR-REAR	
55	WR37843	2	STANDOFF-ANTENNA MOUNT,	
56	WR601411	4	NUT 0.37-16NC HEX ZN REG LK NY	
57	WR551503	4	BOLT 0.37-16NCX 0.75 G5 ZN HHD	
58	WR37842	1	MOUNT-GPS ANTENNA	
59	WR520260	1	LOCK-METRIPACK,280/2 WIRE	
60	6641176	2	SEAL-CABLE,#12048086	
61	WR41694	2	CONTACT-FEMALE 150SER. MP	
62	WR41693	1	CONNECTOR-2WAY F MP	
63	WR55277	4	SCREW-MACH FLAT SLT HD,#8	
64	WR41663	1	RECEIVER-GPS, SLX300 5HZ	



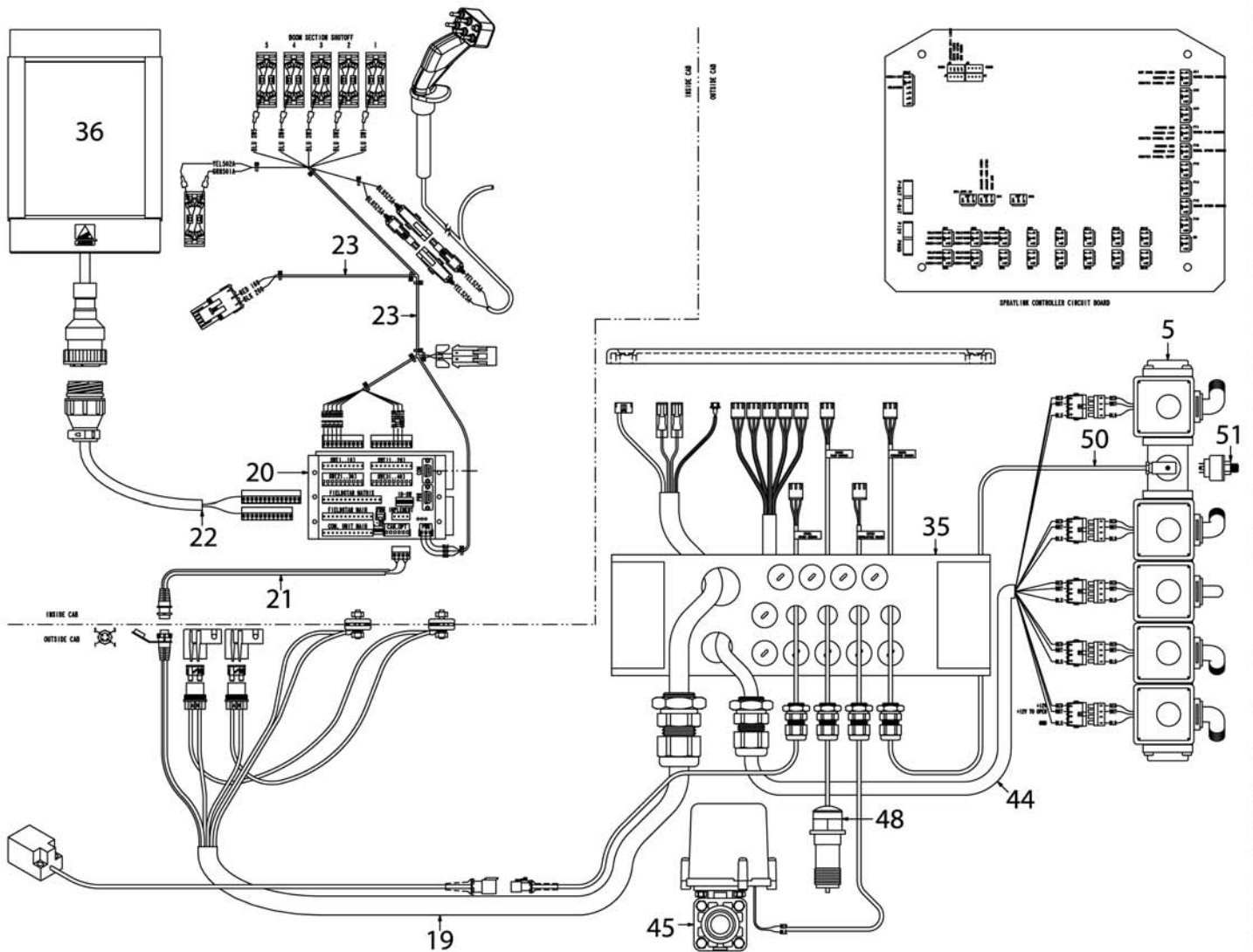
WR01804 - OPT-FIELDSTAR,WF,5VLV,W/O

ITEM	PART #	QTY	DESCRIPTION	COMMENTS
0	WR01809	-	OPT-GPS RECEIVER,5HZ,SC	SEE PAGE 5-49
0	WR37265	1	PANEL-DASH,FIELDSTAR,SC	
0	WR37287	1	MOUNT WLDMT-SPEED SENSOR	
0	WR37586	1	TERMINAL-FIELDSTAR,W/AGCO	
0	WR37813	1	SUPPORT-ADJUST	
0	WR55865	1	HOSE-NONE(2)-20XPLE X 089	
0	WR39082	1	SENSOR-SPD,PROXIMITY W/DEUTSCH	
0	WR39057	1	WIRE ASM-SPD SNST EXT,SC FSTAR	
0	WR37879	-	INSTL-FIELDSTAR, CTRLT, S/C	SEE PAGE 5-50
1	WR55582	2	U-BOLT,DRAWBAR	
2	WR550612	4	NUT 0.25-20NC HEX ZN REG	
3	WR550507	4	WASHER FL 0.25 ZN REG TYPE-B	
4	WR550493	4	WASHER LK 0.25 ZN REG	
5	WR37871	1	VALVE ASSY-BOOM SHUT OFF	SEE PAGE 5-51
5	WR37874	1	VALVE ASSY-KZ,5 SECTION,	SEE PAGE 5-52
6	6648348	1	PLUG-HOLE	
7	WR562496	2	TIE CABLE 15.0 .18-4.00 BLACK	
8	WR010359	4	CLAMP LOOM 1.25 PER DWG	
9	WR27174	1	CLAMP-SUPPORT,CUSHION,	
10	WR29666	2	NUT-HEX,NO. 8-32 UNC	
11	WR37878	2	WASHER-LOCK SPRING #8	
12	WR55178	2	WASHER-FLAT STD,#8	
13	WR29658	2	SCREW-MACH RND 8NCX 1 1/2	
14	WR553557	9	TIE CABLE 7.37 .06-1.37 BLACK	
15	6627047	1	SHIELD-CABLE	
16	WR55036	2	SCREW-CAP HEX M8 X 25	
17	WR55157	1	WASHER-FLAT,8MM ID,	
18	WR55298	2	CLAMP-HOSE,4 1/2 SST	
19	WR38166	1	WIRE ASSY-PWR/CAN COMM,	
20	WR38167	1	SWITCH INTERFACE-SPRYLINK	
21	WR38168	1	CABLE-CAN COMM,SPRAYLINK	
22	WR38169	1	WIRE ASSY-TERMINAL INTFC	
23	WR38170	1	WIRE ASM-PNR/BOOM SW, F/STAR	
24	WR41689	1	MANUAL-SPRAYLINK OPERATOR	
25	WR601888	4	NUT 0.31-18NC HEX ZN REG NY	
26	WR562676	4	BOLT 0.31-18 X 1.00 G5 ZN CAR	
27	WR11074	1	WASHER-NON ASBESTOS	
28	WR55104	4	WASHER-LOCK SPRING,6MM ID	
29	WR562639	4	BOLT M6 1.00X12MM G8.8 ZN HHD	
30	WR37817	1	PLATE-MOUNT,SPRAYLINK	
31	WR37814	1	SUPPORT WLDMT-ADJUST	
32	WR11505	4	NUT-SER FLG, 5/16-18 UNC	
33	WR550183	4	BOLT 0.31-18NCX 0.75 G5 ZN HHD	
35	WR38165	1	CONTROLLER-SPRAYLINK	
39	WR37816	1	KNOB-CLAMPING, 1/2-13 UNC	
40	WR37877	1	GROMMET-RUBBER,FITS 1.88	
41	WR27621	4	SCREW-MACH BTN SOCHD	
42	6662701	4	STRAP RETAINER	
43	WR29675	-	TAPE-DBL MTG 2 IN W X 1/8 IN TH [BULK: 0.33 FT]	
44	WR37840	1	CABLE-BOOM CONTROL KZ TO	
45	WR37841	1	VALVE-ELECTRIC BALL,	
46	WR37844	1	FLOWMETER-1 IN RAPID CHECK	
47	WR38175	1	SENSOR-SPEED, PROXIMITY	
48	WR38174	1	SENSOR-FLOWMETER W/CABLE	
49	WR38173	1	ADAPTER KIT-FLOWMETER,-20	
50	WR38172	1	CABLE-PRESSURE TRANSDUCER	
51	WR38171	1	TRANSDUCER-PRESSURE,0-10	
52	6511249	4	ADHESIVE-CLAMP,WIRE	
54	6803920	1	BAR-REAR	
55	WR37843	2	STANDOFF-ANTENNA MOUNT,	
56	WR601411	4	NUT 0.37-16NC HEX ZN REG LK NY	
57	WR551503	4	BOLT 0.37-16NCX 0.75 G5 ZN HHD	
58	WR37842	1	MOUNT-GPS ANTENNA	
59	WR520260	1	LOCK-METRIPACK,280/2 WIRE	
60	6641176	2	SEAL-CABLE,#12048086	
61	WR41694	2	CONTACT-FEMALE 150SER. MP	
62	WR41693	1	CONNECTOR-2WAY F MP	
63	WR55277	4	SCREW-MACH FLAT SLT HD,#8	
64	WR41663	1	RECEIVER-GPS, SLX300 5HZ	



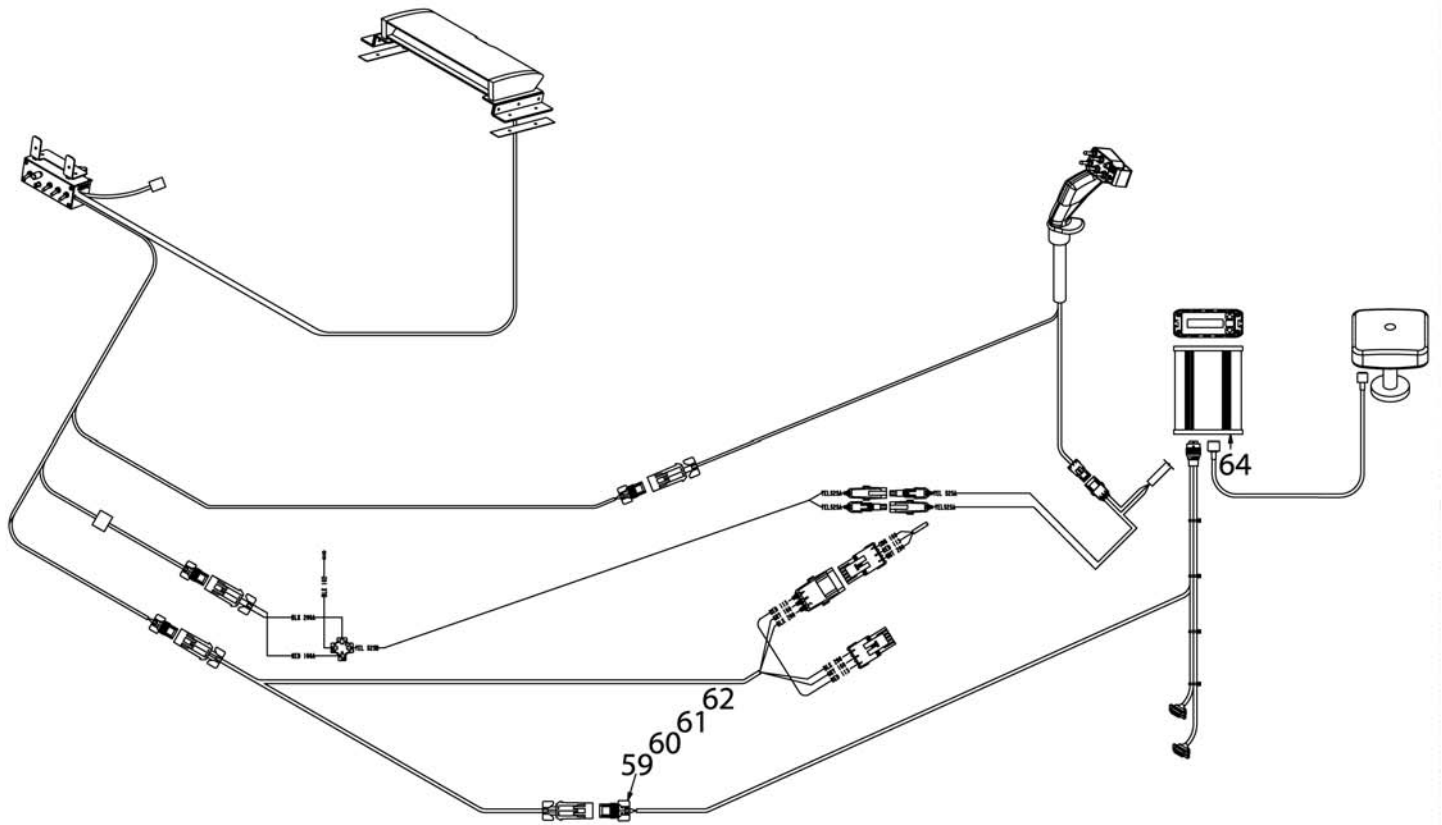
WR01804 - OPT-FIELDSTAR,WF,5VLV,W/O

ITEM	PART #	QTY	DESCRIPTION	COMMENTS
0	WR01809	-	OPT-GPS RECEIVER,5HZ,SC	SEE PAGE 5-49
0	WR37265	1	PANEL-DASH,FIELDSTAR,SC	
0	WR37287	1	MOUNT WLDMT-SPEED SENSOR	
0	WR37586	1	TERMINAL-FIELDSTAR,W/AGCO	
0	WR37813	1	SUPPORT-ADJUST	
0	WR55865	1	HOSE-NONE(2)-20XPLE X 089	
0	WR39082	1	SENSOR-SPD,PROXIMITY W/DEUTSCH	
0	WR39057	1	WIRE ASM-SPD SNST EXT,SC FSTAR	
0	WR37879	-	INSTL-FIELDSTAR, CTRLT, S/C	SEE PAGE 5-50
1	WR55582	2	U-BOLT,DRAWBAR	
2	WR550612	4	NUT 0.25-20NC HEX ZN REG	
3	WR550507	4	WASHER FL 0.25 ZN REG TYPE-B	
4	WR550493	4	WASHER LK 0.25 ZN REG	
5	WR37871	1	VALVE ASSY-BOOM SHUT OFF	SEE PAGE 5-51
5	WR37874	1	VALVE ASSY-KZ,5 SECTION,	SEE PAGE 5-52
6	6648348	1	PLUG-HOLE	
7	WR562496	2	TIE CABLE 15.0 .18-4.00 BLACK	
8	WR010359	4	CLAMP LOOM 1.25 PER DWG	
9	WR27174	1	CLAMP-SUPPORT,CUSHION,	
10	WR29666	2	NUT-HEX,NO. 8-32 UNC	
11	WR37878	2	WASHER-LOCK SPRING #8	
12	WR55178	2	WASHER-FLAT STD,#8	
13	WR29658	2	SCREW-MACH RND 8NCX 1 1/2	
14	WR553557	9	TIE CABLE 7.37 .06-1.37 BLACK	
15	6627047	1	SHIELD-CABLE	
16	WR55036	2	SCREW-CAP HEX M8 X 25	
17	WR55157	1	WASHER-FLAT,8MM ID,	
18	WR55298	2	CLAMP-HOSE,4 1/2 SST	
19	WR38166	1	WIRE ASSY-PWR/CAN COMM,	
20	WR38167	1	SWITCH INTERFACE-SPRYLINK	
21	WR38168	1	CABLE-CAN COMM,SPRAYLINK	
22	WR38169	1	WIRE ASSY-TERMINAL INTFC	
23	WR38170	1	WIRE ASM-PNR/BOOM SW, F/STAR	
24	WR41689	1	MANUAL-SPRAYLINK OPERATOR	
25	WR601888	4	NUT 0.31-18NC HEX ZN REG NY	
26	WR562676	4	BOLT 0.31-18 X 1.00 G5 ZN CAR	
27	WR11074	1	WASHER-NON ASBESTOS	
28	WR55104	4	WASHER-LOCK SPRING,6MM ID	
29	WR562639	4	BOLT M6 1.00X12MM G8.8 ZN HHD	
30	WR37817	1	PLATE-MOUNT,SPRAYLINK	
31	WR37814	1	SUPPORT WLDMT-ADJUST	
32	WR11505	4	NUT-SER FLG, 5/16-18 UNC	
33	WR550183	4	BOLT 0.31-18NCX 0.75 G5 ZN HHD	
35	WR38165	1	CONTROLLER-SPRAYLINK	
39	WR37816	1	KNOB-CLAMPING, 1/2-13 UNC	
40	WR37877	1	GROMMET-RUBBER,FITS 1.88	
41	WR27621	4	SCREW-MACH BTN SOCHD	
42	6662701	4	STRAP RETAINER	
43	WR29675	-	TAPE-DBL MTG 2 IN W X 1/8 IN TH [BULK: 0.33 FT]	
44	WR37840	1	CABLE-BOOM CONTROL KZ TO	
45	WR37841	1	VALVE-ELECTRIC BALL,	
46	WR37844	1	FLOWMETER-1 IN RAPID CHECK	
47	WR38175	1	SENSOR-SPEED, PROXIMITY	
48	WR38174	1	SENSOR-FLOWMETER W/CABLE	
49	WR38173	1	ADAPTER KIT-FLOWMETER,-20	
50	WR38172	1	CABLE-PRESSURE TRANSDUCER	
51	WR38171	1	TRANSDUCER-PRESSURE,0-10	
52	6511249	4	ADHESIVE-CLAMP,WIRE	
54	6803920	1	BAR-REAR	
55	WR37843	2	STANDOFF-ANTENNA MOUNT,	
56	WR601411	4	NUT 0.37-16NC HEX ZN REG LK NY	
57	WR551503	4	BOLT 0.37-16NCX 0.75 G5 ZN HHD	
58	WR37842	1	MOUNT-GPS ANTENNA	
59	WR520260	1	LOCK-METRIPACK,280/2 WIRE	
60	6641176	2	SEAL-CABLE,#12048086	
61	WR41694	2	CONTACT-FEMALE 150SER. MP	
62	WR41693	1	CONNECTOR-2WAY F MP	
63	WR55277	4	SCREW-MACH FLAT SLT HD,#8	
64	WR41663	1	RECEIVER-GPS, SLX300 5HZ	



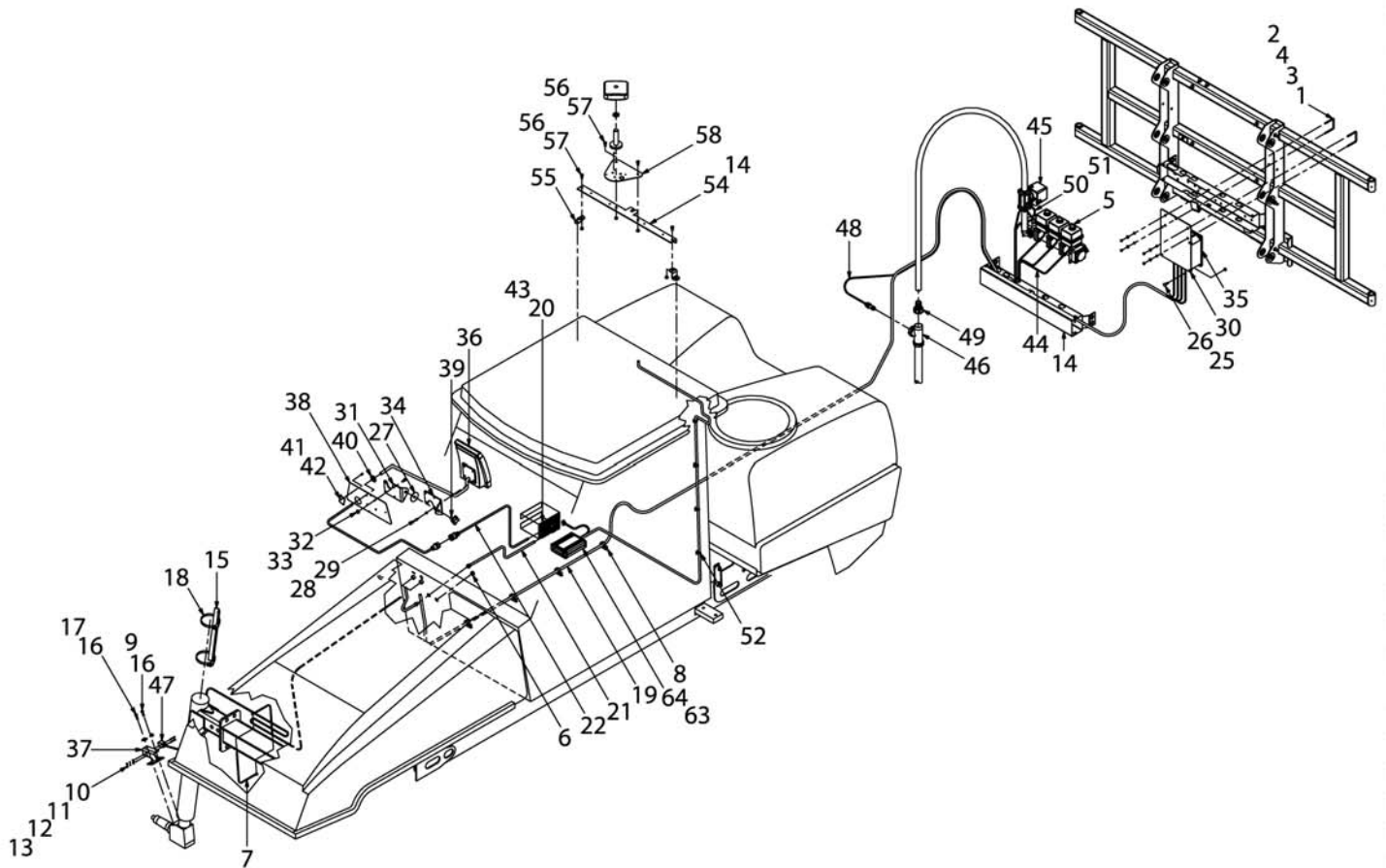
WR01804 - OPT-FIELDSTAR,WF,5VLV,W/O

ITEM	PART #	QTY	DESCRIPTION	COMMENTS
0	WR01809	-	OPT-GPS RECEIVER,5HZ,SC	SEE PAGE 5-49
0	WR37265	1	PANEL-DASH,FIELDSTAR,SC	
0	WR37287	1	MOUNT WLDMT-SPEED SENSOR	
0	WR37586	1	TERMINAL-FIELDSTAR,W/AGCO	
0	WR37813	1	SUPPORT-ADJUST	
0	WR55865	1	HOSE-NONE(2)-20XPLE X 089	
0	WR39082	1	SENSOR-SPD,PROXIMITY W/DEUTSCH	
0	WR39057	1	WIRE ASM-SPD SNST EXT,SC FSTAR	
0	WR37879	-	INSTL-FIELDSTAR, CTRLT, S/C	SEE PAGE 5-50
1	WR55582	2	U-BOLT,DRAWBAR	
2	WR550612	4	NUT 0.25-20NC HEX ZN REG	
3	WR550507	4	WASHER FL 0.25 ZN REG TYPE-B	
4	WR550493	4	WASHER LK 0.25 ZN REG	
5	WR37871	1	VALVE ASSY-BOOM SHUT OFF	SEE PAGE 5-51
5	WR37874	1	VALVE ASSY-KZ,5 SECTION,	SEE PAGE 5-52
6	6648348	1	PLUG-HOLE	
7	WR562496	2	TIE CABLE 15.0 .18-4.00 BLACK	
8	WR010359	4	CLAMP LOOM 1.25 PER DWG	
9	WR27174	1	CLAMP-SUPPORT,CUSHION,	
10	WR29666	2	NUT-HEX,NO. 8-32 UNC	
11	WR37878	2	WASHER-LOCK SPRING #8	
12	WR55178	2	WASHER-FLAT STD,#8	
13	WR29658	2	SCREW-MACH RND 8NCX 1 1/2	
14	WR553557	9	TIE CABLE 7.37 .06-1.37 BLACK	
15	6627047	1	SHIELD-CABLE	
16	WR55036	2	SCREW-CAP HEX M8 X 25	
17	WR55157	1	WASHER-FLAT,8MM ID,	
18	WR55298	2	CLAMP-HOSE,4 1/2 SST	
19	WR38166	1	WIRE ASSY-PWR/CAN COMM,	
20	WR38167	1	SWITCH INTERFACE-SPRYLINK	
21	WR38168	1	CABLE-CAN COMM,SPRAYLINK	
22	WR38169	1	WIRE ASSY-TERMINAL INTFC	
23	WR38170	1	WIRE ASM-PNR/BOOM SW, F/STAR	
24	WR41689	1	MANUAL-SPRAYLINK OPERATOR	
25	WR601888	4	NUT 0.31-18NC HEX ZN REG NY	
26	WR562676	4	BOLT 0.31-18 X 1.00 G5 ZN CAR	
27	WR11074	1	WASHER-NON ASBESTOS	
28	WR55104	4	WASHER-LOCK SPRING,6MM ID	
29	WR562639	4	BOLT M6 1.00X12MM G8.8 ZN HHD	
30	WR37817	1	PLATE-MOUNT,SPRAYLINK	
31	WR37814	1	SUPPORT WLDMT-ADJUST	
32	WR11505	4	NUT-SER FLG, 5/16-18 UNC	
33	WR550183	4	BOLT 0.31-18NCX 0.75 G5 ZN HHD	
35	WR38165	1	CONTROLLER-SPRAYLINK	
39	WR37816	1	KNOB-CLAMPING, 1/2-13 UNC	
40	WR37877	1	GROMMET-RUBBER,FITS 1.88	
41	WR27621	4	SCREW-MACH BTN SOCHD	
42	6662701	4	STRAP RETAINER	
43	WR29675	-	TAPE-DBL MTG 2 IN W X 1/8 IN TH [BULK: 0.33 FT]	
44	WR37840	1	CABLE-BOOM CONTROL KZ TO	
45	WR37841	1	VALVE-ELECTRIC BALL,	
46	WR37844	1	FLOWMETER-1 IN RAPID CHECK	
47	WR38175	1	SENSOR-SPEED, PROXIMITY	
48	WR38174	1	SENSOR-FLOWMETER W/CABLE	
49	WR38173	1	ADAPTER KIT-FLOWMETER,-20	
50	WR38172	1	CABLE-PRESSURE TRANSDUCER	
51	WR38171	1	TRANSDUCER-PRESSURE,0-10	
52	6511249	4	ADHESIVE-CLAMP,WIRE	
54	6803920	1	BAR-REAR	
55	WR37843	2	STANDOFF-ANTENNA MOUNT,	
56	WR601411	4	NUT 0.37-16NC HEX ZN REG LK NY	
57	WR551503	4	BOLT 0.37-16NCX 0.75 G5 ZN HHD	
58	WR37842	1	MOUNT-GPS ANTENNA	
59	WR520260	1	LOCK-METRIPACK,280/2 WIRE	
60	6641176	2	SEAL-CABLE,#12048086	
61	WR41694	2	CONTACT-FEMALE 150SER. MP	
62	WR41693	1	CONNECTOR-2WAY F MP	
63	WR55277	4	SCREW-MACH FLAT SLT HD,#8	
64	WR41663	1	RECEIVER-GPS, SLX300 5HZ	



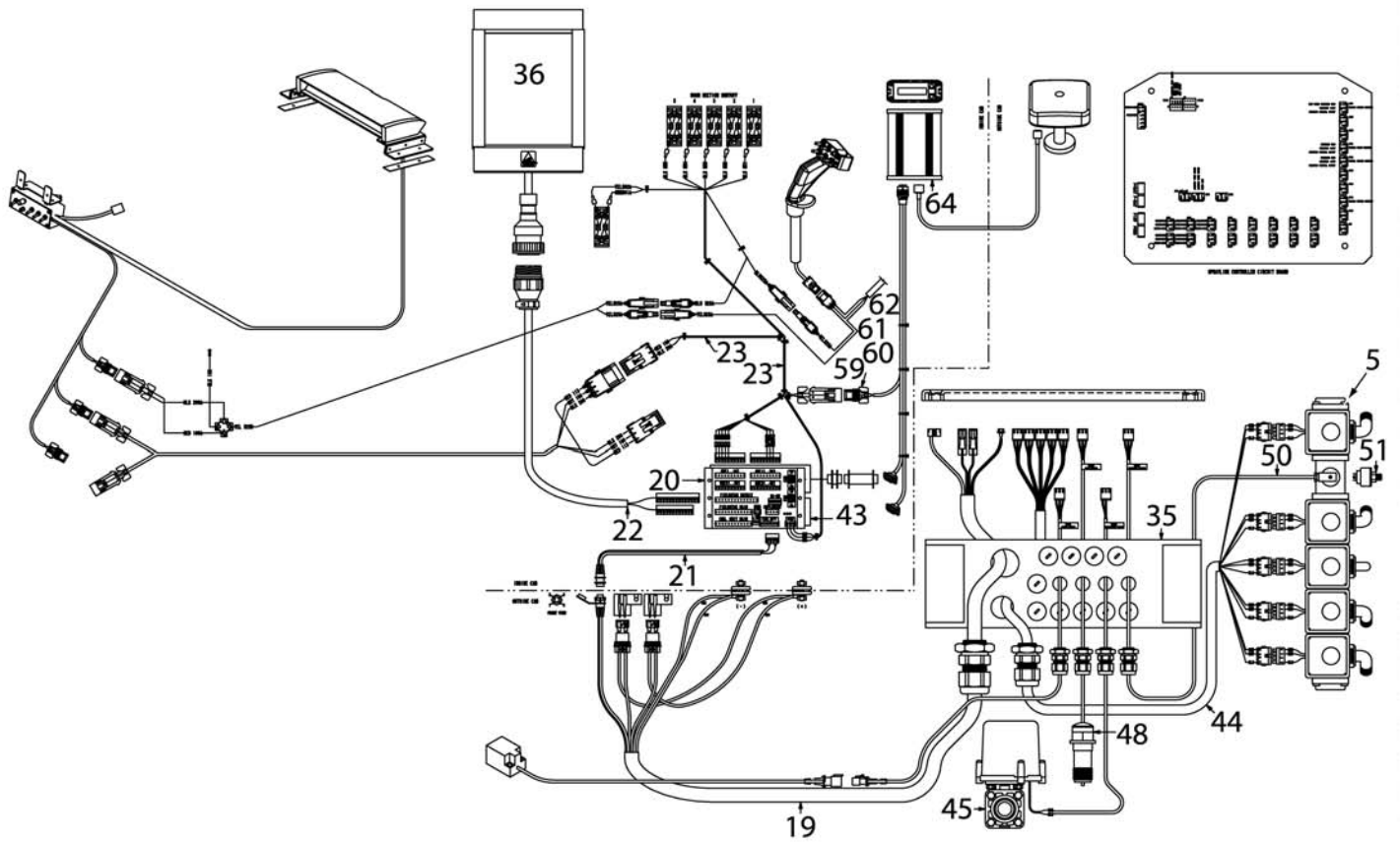
WR01804 - OPT-FIELDSTAR,WF,5VLV,W/O

ITEM	PART #	QTY	DESCRIPTION	COMMENTS
0	WR01809	-	OPT-GPS RECEIVER,5HZ,SC	SEE PAGE 5-49
0	WR37265	1	PANEL-DASH,FIELDSTAR,SC	
0	WR37287	1	MOUNT WLDMT-SPEED SENSOR	
0	WR37586	1	TERMINAL-FIELDSTAR,W/AGCO	
0	WR37813	1	SUPPORT-ADJUST	
0	WR55865	1	HOSE-NONE(2)-20XPLE X 089	
0	WR39082	1	SENSOR-SPD,PROXIMITY W/DEUTSCH	
0	WR39057	1	WIRE ASM-SPD SNST EXT,SC FSTAR	
0	WR37879	-	INSTL-FIELDSTAR, CTRLT, S/C	SEE PAGE 5-50
1	WR55582	2	U-BOLT,DRAWBAR	
2	WR550612	4	NUT 0.25-20NC HEX ZN REG	
3	WR550507	4	WASHER FL 0.25 ZN REG TYPE-B	
4	WR550493	4	WASHER LK 0.25 ZN REG	
5	WR37871	1	VALVE ASSY-BOOM SHUT OFF	SEE PAGE 5-51
5	WR37874	1	VALVE ASSY-KZ,5 SECTION,	SEE PAGE 5-52
6	6648348	1	PLUG-HOLE	
7	WR562496	2	TIE CABLE 15.0 .18-4.00 BLACK	
8	WR010359	4	CLAMP LOOM 1.25 PER DWG	
9	WR27174	1	CLAMP-SUPPORT,CUSHION,	
10	WR29666	2	NUT-HEX,NO. 8-32 UNC	
11	WR37878	2	WASHER-LOCK SPRING #8	
12	WR55178	2	WASHER-FLAT STD,#8	
13	WR29658	2	SCREW-MACH RND 8NCX 1 1/2	
14	WR553557	9	TIE CABLE 7.37 .06-1.37 BLACK	
15	6627047	1	SHIELD-CABLE	
16	WR55036	2	SCREW-CAP HEX M8 X 25	
17	WR55157	1	WASHER-FLAT,8MM ID,	
18	WR55298	2	CLAMP-HOSE,4 1/2 SST	
19	WR38166	1	WIRE ASSY-PWR/CAN COMM,	
20	WR38167	1	SWITCH INTERFACE-SPRYLINK	
21	WR38168	1	CABLE-CAN COMM,SPRAYLINK	
22	WR38169	1	WIRE ASSY-TERMINAL INTFC	
23	WR38170	1	WIRE ASM-PNR/BOOM SW, F/STAR	
24	WR41689	1	MANUAL-SPRAYLINK OPERATOR	
25	WR601888	4	NUT 0.31-18NC HEX ZN REG NY	
26	WR562676	4	BOLT 0.31-18 X 1.00 G5 ZN CAR	
27	WR11074	1	WASHER-NON ASBESTOS	
28	WR55104	4	WASHER-LOCK SPRING,6MM ID	
29	WR562639	4	BOLT M6 1.00X12MM G8.8 ZN HHD	
30	WR37817	1	PLATE-MOUNT,SPRAYLINK	
31	WR37814	1	SUPPORT WLDMT-ADJUST	
32	WR11505	4	NUT-SER FLG, 5/16-18 UNC	
33	WR550183	4	BOLT 0.31-18NCX 0.75 G5 ZN HHD	
35	WR38165	1	CONTROLLER-SPRAYLINK	
39	WR37816	1	KNOB-CLAMPING, 1/2-13 UNC	
40	WR37877	1	GROMMET-RUBBER,FITS 1.88	
41	WR27621	4	SCREW-MACH BTN SOCHD	
42	6662701	4	STRAP RETAINER	
43	WR29675	-	TAPE-DBL MTG 2 IN W X 1/8 IN TH [BULK: 0.33 FT]	
44	WR37840	1	CABLE-BOOM CONTROL KZ TO	
45	WR37841	1	VALVE-ELECTRIC BALL,	
46	WR37844	1	FLOWMETER-1 IN RAPID CHECK	
47	WR38175	1	SENSOR-SPEED, PROXIMITY	
48	WR38174	1	SENSOR-FLOWMETER W/CABLE	
49	WR38173	1	ADAPTER KIT-FLOWMETER,-20	
50	WR38172	1	CABLE-PRESSURE TRANSDUCER	
51	WR38171	1	TRANSDUCER-PRESSURE,0-10	
52	6511249	4	ADHESIVE-CLAMP,WIRE	
54	6803920	1	BAR-REAR	
55	WR37843	2	STANDOFF-ANTENNA MOUNT,	
56	WR601411	4	NUT 0.37-16NC HEX ZN REG LK NY	
57	WR551503	4	BOLT 0.37-16NCX 0.75 G5 ZN HHD	
58	WR37842	1	MOUNT-GPS ANTENNA	
59	WR520260	1	LOCK-METRIPACK,280/2 WIRE	
60	6641176	2	SEAL-CABLE,#12048086	
61	WR41694	2	CONTACT-FEMALE 150SER. MP	
62	WR41693	1	CONNECTOR-2WAY F MP	
63	WR55277	4	SCREW-MACH FLAT SLT HD,#8	
64	WR41663	1	RECEIVER-GPS, SLX300 5HZ	



WR01804 - OPT-FIELDSTAR,WF,5VLV,W/O

ITEM	PART #	QTY	DESCRIPTION	COMMENTS
0	WR01809	-	OPT-GPS RECEIVER,5HZ,SC	SEE PAGE 5-49
0	WR37265	1	PANEL-DASH,FIELDSTAR,SC	
0	WR37287	1	MOUNT WLDMT-SPEED SENSOR	
0	WR37586	1	TERMINAL-FIELDSTAR,W/AGCO	
0	WR37813	1	SUPPORT-ADJUST	
0	WR55865	1	HOSE-NONE(2)-20XPLE X 089	
0	WR39082	1	SENSOR-SPD,PROXIMITY W/DEUTSCH	
0	WR39057	1	WIRE ASM-SPD SNST EXT,SC FSTAR	
0	WR37879	-	INSTL-FIELDSTAR, CTRLT, S/C	SEE PAGE 5-50
1	WR55582	2	U-BOLT,DRAWBAR	
2	WR550612	4	NUT 0.25-20NC HEX ZN REG	
3	WR550507	4	WASHER FL 0.25 ZN REG TYPE-B	
4	WR550493	4	WASHER LK 0.25 ZN REG	
5	WR37871	1	VALVE ASSY-BOOM SHUT OFF	SEE PAGE 5-51
5	WR37874	1	VALVE ASSY-KZ,5 SECTION,	SEE PAGE 5-52
6	6648348	1	PLUG-HOLE	
7	WR562496	2	TIE CABLE 15.0 .18-4.00 BLACK	
8	WR010359	4	CLAMP LOOM 1.25 PER DWG	
9	WR27174	1	CLAMP-SUPPORT,CUSHION,	
10	WR29666	2	NUT-HEX,NO. 8-32 UNC	
11	WR37878	2	WASHER-LOCK SPRING #8	
12	WR55178	2	WASHER-FLAT STD,#8	
13	WR29658	2	SCREW-MACH RND 8NCX 1 1/2	
14	WR553557	9	TIE CABLE 7.37 .06-1.37 BLACK	
15	6627047	1	SHIELD-CABLE	
16	WR55036	2	SCREW-CAP HEX M8 X 25	
17	WR55157	1	WASHER-FLAT,8MM ID,	
18	WR55298	2	CLAMP-HOSE,4 1/2 SST	
19	WR38166	1	WIRE ASSY-PWR/CAN COMM,	
20	WR38167	1	SWITCH INTERFACE-SPRYLINK	
21	WR38168	1	CABLE-CAN COMM,SPRAYLINK	
22	WR38169	1	WIRE ASSY-TERMINAL INTFC	
23	WR38170	1	WIRE ASM-PNR/BOOM SW, F/STAR	
24	WR41689	1	MANUAL-SPRAYLINK OPERATOR	
25	WR601888	4	NUT 0.31-18NC HEX ZN REG NY	
26	WR562676	4	BOLT 0.31-18 X 1.00 G5 ZN CAR	
27	WR11074	1	WASHER-NON ASBESTOS	
28	WR55104	4	WASHER-LOCK SPRING,6MM ID	
29	WR562639	4	BOLT M6 1.00X12MM G8.8 ZN HHD	
30	WR37817	1	PLATE-MOUNT,SPRAYLINK	
31	WR37814	1	SUPPORT WLDMT-ADJUST	
32	WR11505	4	NUT-SER FLG, 5/16-18 UNC	
33	WR550183	4	BOLT 0.31-18NCX 0.75 G5 ZN HHD	
35	WR38165	1	CONTROLLER-SPRAYLINK	
39	WR37816	1	KNOB-CLAMPING, 1/2-13 UNC	
40	WR37877	1	GROMMET-RUBBER,FITS 1.88	
41	WR27621	4	SCREW-MACH BTN SOCHD	
42	6662701	4	STRAP RETAINER	
43	WR29675	-	TAPE-DBL MTG 2 IN W X 1/8 IN TH [BULK: 0.33 FT]	
44	WR37840	1	CABLE-BOOM CONTROL KZ TO	
45	WR37841	1	VALVE-ELECTRIC BALL,	
46	WR37844	1	FLOWMETER-1 IN RAPID CHECK	
47	WR38175	1	SENSOR-SPEED, PROXIMITY	
48	WR38174	1	SENSOR-FLOWMETER W/CABLE	
49	WR38173	1	ADAPTER KIT-FLOWMETER,-20	
50	WR38172	1	CABLE-PRESSURE TRANSDUCER	
51	WR38171	1	TRANSDUCER-PRESSURE,0-10	
52	6511249	4	ADHESIVE-CLAMP,WIRE	
54	6803920	1	BAR-REAR	
55	WR37843	2	STANDOFF-ANTENNA MOUNT,	
56	WR601411	4	NUT 0.37-16NC HEX ZN REG LK NY	
57	WR551503	4	BOLT 0.37-16NCX 0.75 G5 ZN HHD	
58	WR37842	1	MOUNT-GPS ANTENNA	
59	WR520260	1	LOCK-METRIPACK,280/2 WIRE	
60	6641176	2	SEAL-CABLE,#12048086	
61	WR41694	2	CONTACT-FEMALE 150SER. MP	
62	WR41693	1	CONNECTOR-2WAY F MP	
63	WR55277	4	SCREW-MACH FLAT SLT HD,#8	
64	WR41663	1	RECEIVER-GPS, SLX300 5HZ	

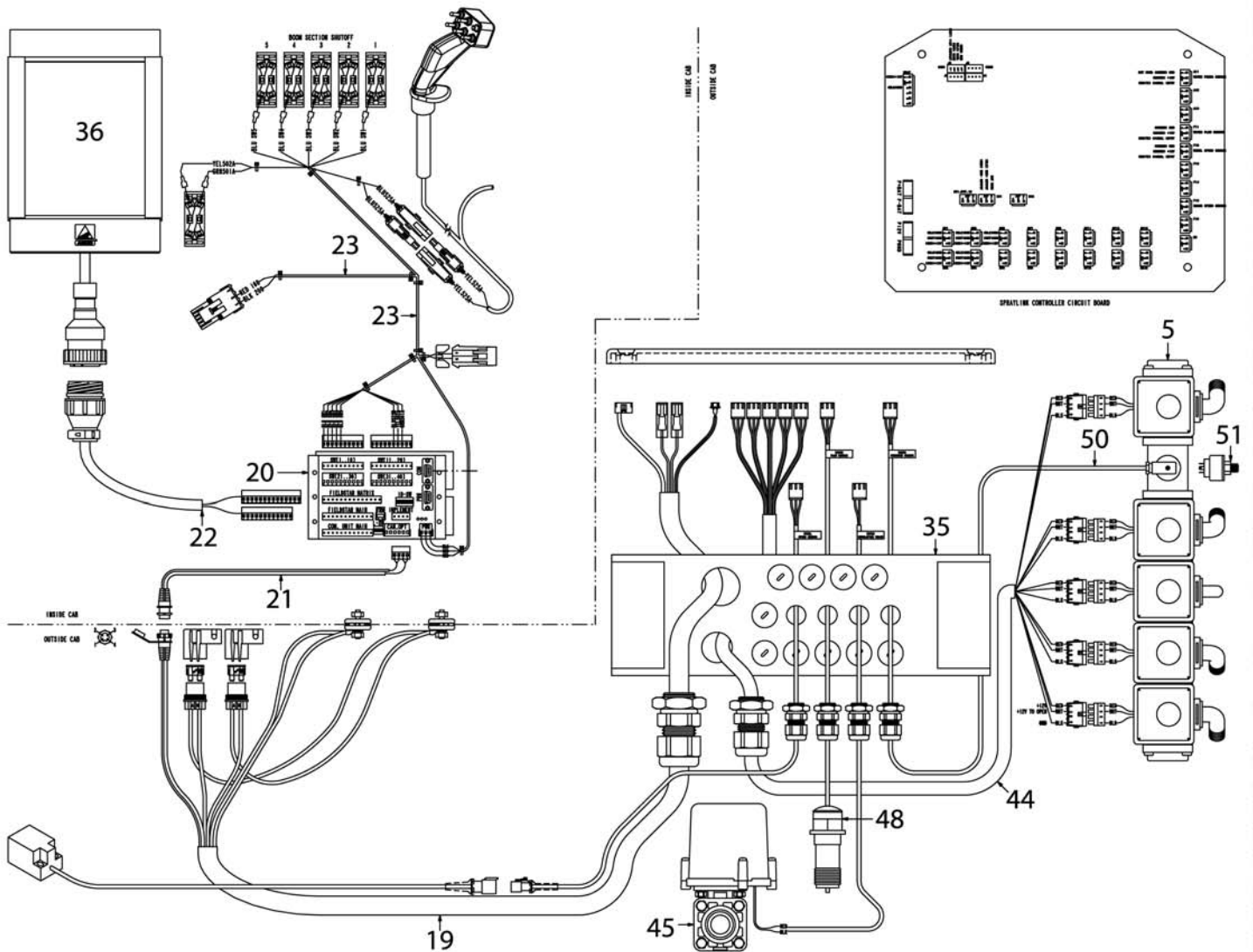


WR01809 - OPT-GPS RECEIVER,5HZ,SC

ITEM	PART #	QTY	DESCRIPTION	COMMENTS
0	WR55865	1	HOSE-NONE(2)-20XPLE X 089	
0	WR39082	1	SENSOR-SPD,PROXIMITY W/DEUTSCH	
0	WR39057	1	WIRE ASM-SPD SNST EXT,SC FSTAR	
0	WR37879	-	INSTL-FIELDSTAR, CTRLT, S/C	SEE PAGE 5-50
1	WR55582	2	U-BOLT,DRAWBAR	
2	WR550612	4	NUT 0.25-20NC HEX ZN REG	
3	WR550507	4	WASHER FL 0.25 ZN REG TYPE-B	
4	WR550493	4	WASHER LK 0.25 ZN REG	
5	WR37874	1	VALVE ASSY-KZ,5 SECTION,	SEE PAGE 5-52
5	WR37871	1	VALVE ASSY-BOOM SHUT OFF	SEE PAGE 5-51
6	6648348	1	PLUG-HOLE	
7	WR562496	2	TIE CABLE 15.0 .18-4.00 BLACK	
8	WR010359	4	CLAMP LOOM 1.25 PER DWG	
9	WR27174	1	CLAMP-SUPPORT,CUSHION,	
10	WR29666	2	NUT-HEX,NO. 8-32 UNC	
11	WR37878	2	WASHER-LOCK SPRING #8	
12	WR55178	2	WASHER-FLAT STD,#8	
13	WR29658	2	SCREW-MACH RND 8NCX 1 1/2	
14	WR553557	9	TIE CABLE 7.37 .06-1.37 BLACK	
15	6627047	1	SHIELD-CABLE	
16	WR55036	2	SCREW-CAP HEX M8 X 25	
17	WR55157	1	WASHER-FLAT,8MM ID,	
18	WR55298	2	CLAMP-HOSE,4 1/2 SST	
19	WR38166	1	WIRE ASSY-PWR/CAN COMM,	
20	WR38167	1	SWITCH INTERFACE-SPRYLINK	
21	WR38168	1	CABLE-CAN COMM,SPRAYLINK	
22	WR38169	1	WIRE ASSY-TERMINAL INTFC	
23	WR38170	1	WIRE ASM-PNR/BOOM SW, F/STAR	
24	WR41689	1	MANUAL-SPRAYLINK OPERATOR	
25	WR601888	4	NUT 0.31-18NC HEX ZN REG NY	
26	WR562676	4	BOLT 0.31-18 X 1.00 G5 ZN CAR	
27	WR11074	1	WASHER-NON ASBESTOS	
28	WR55104	4	WASHER-LOCK SPRING,6MM ID	
29	WR562639	4	BOLT M6 1.00X12MM G8.8 ZN HHD	
30	WR37817	1	PLATE-MOUNT,SPRAYLINK	
31	WR37814	1	SUPPORT WLDMT-ADJUST	
32	WR11505	4	NUT-SER FLG, 5/16-18 UNC	
33	WR550183	4	BOLT 0.31-18NCX 0.75 G5 ZN HHD	
34	WR37813	1	SUPPORT-ADJUST	
35	WR38165	1	CONTROLLER-SPRAYLINK	
36	WR37586	1	TERMINAL-FIELDSTAR,W/AGCO	
37	WR37287	1	MOUNT WLDMT-SPEED SENSOR	
39	WR37816	1	KNOB-CLAMPING, 1/2-13 UNC	
40	WR37877	1	GROMMET-RUBBER,FITS 1.88	
41	WR27621	4	SCREW-MACH BTN SOCHD	
42	6662701	4	STRAP RETAINER	
43	WR29675	-	TAPE-DBL MTG 2 IN W X 1/8 IN TH [BULK: 0.33 FT]	
44	WR37840	1	CABLE-BOOM CONTROL KZ TO	
45	WR37841	1	VALVE-ELECTRIC BALL,	
46	WR37844	1	FLOWMETER-1 IN RAPID CHECK	
47	WR38175	1	SENSOR-SPEED, PROXIMITY	
48	WR38174	1	SENSOR-FLOWMETER W/CABLE	
49	WR38173	1	ADAPTER KIT-FLOWMETER,-20	
50	WR38172	1	CABLE-PRESSURE TRANSDUCER	
51	WR38171	1	TRANSDUCER-PRESSURE,0-10	
52	6511249	4	ADHESIVE-CLAMP,WIRE	
54	6803920	1	BAR-REAR	
55	WR37843	2	STANDOFF-ANTENNA MOUNT,	
56	WR601411	4	NUT 0.37-16NC HEX ZN REG LK NY	
57	WR551503	4	BOLT 0.37-16NCX 0.75 G5 ZN HHD	
58	WR37842	1	MOUNT-GPS ANTENNA	
59	WR520260	1	LOCK-METRIPACK,280/2 WIRE	
60	6641176	2	SEAL-CABLE,#12048086	
61	WR41694	2	CONTACT-FEMALE 150SER. MP	
62	WR41693	1	CONNECTOR-2WAY F MP	
63	WR55277	4	SCREW-MACH FLAT SLT HD,#8	
64	WR41663	1	RECEIVER-GPS, SLX300 5HZ	

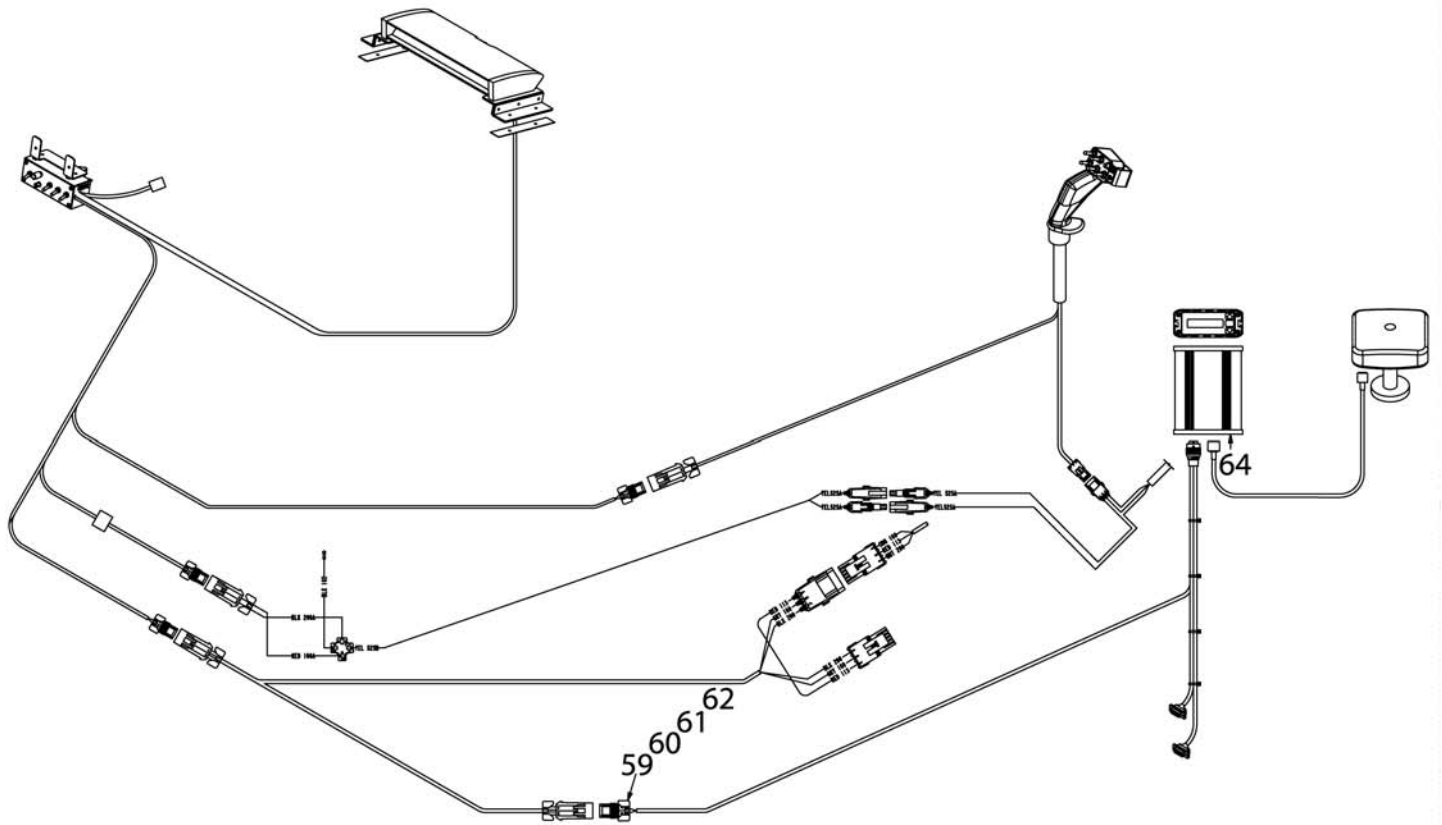
WR01809 - OPT-GPS RECEIVER,5HZ,SC

ITEM	PART #	QTY	DESCRIPTION	COMMENTS
0	WR55865	1	HOSE-NONE(2)-20XPLE X 089	
0	WR39082	1	SENSOR-SPD,PROXIMITY W/DEUTSCH	
0	WR39057	1	WIRE ASM-SPD SNST EXT,SC FSTAR	
0	WR37879	-	INSTL-FIELDSTAR, CTRLT, S/C	SEE PAGE 5-50
1	WR55582	2	U-BOLT,DRAWBAR	
2	WR550612	4	NUT 0.25-20NC HEX ZN REG	
3	WR550507	4	WASHER FL 0.25 ZN REG TYPE-B	
4	WR550493	4	WASHER LK 0.25 ZN REG	
5	WR37874	1	VALVE ASSY-KZ,5 SECTION,	SEE PAGE 5-52
5	WR37871	1	VALVE ASSY-BOOM SHUT OFF	SEE PAGE 5-51
6	6648348	1	PLUG-HOLE	
7	WR562496	2	TIE CABLE 15.0 .18-4.00 BLACK	
8	WR010359	4	CLAMP LOOM 1.25 PER DWG	
9	WR27174	1	CLAMP-SUPPORT,CUSHION,	
10	WR29666	2	NUT-HEX,NO. 8-32 UNC	
11	WR37878	2	WASHER-LOCK SPRING #8	
12	WR55178	2	WASHER-FLAT STD,#8	
13	WR29658	2	SCREW-MACH RND 8NCX 1 1/2	
14	WR553557	9	TIE CABLE 7.37 .06-1.37 BLACK	
15	6627047	1	SHIELD-CABLE	
16	WR55036	2	SCREW-CAP HEX M8 X 25	
17	WR55157	1	WASHER-FLAT,8MM ID,	
18	WR55298	2	CLAMP-HOSE,4 1/2 SST	
19	WR38166	1	WIRE ASSY-PWR/CAN COMM,	
20	WR38167	1	SWITCH INTERFACE-SPRYLINK	
21	WR38168	1	CABLE-CAN COMM,SPRAYLINK	
22	WR38169	1	WIRE ASSY-TERMINAL INTFC	
23	WR38170	1	WIRE ASM-PNR/BOOM SW, F/STAR	
24	WR41689	1	MANUAL-SPRAYLINK OPERATOR	
25	WR601888	4	NUT 0.31-18NC HEX ZN REG NY	
26	WR562676	4	BOLT 0.31-18 X 1.00 G5 ZN CAR	
27	WR11074	1	WASHER-NON ASBESTOS	
28	WR55104	4	WASHER-LOCK SPRING,6MM ID	
29	WR562639	4	BOLT M6 1.00X12MM G8.8 ZN HHD	
30	WR37817	1	PLATE-MOUNT,SPRAYLINK	
31	WR37814	1	SUPPORT WLDMT-ADJUST	
32	WR11505	4	NUT-SER FLG, 5/16-18 UNC	
33	WR550183	4	BOLT 0.31-18NCX 0.75 G5 ZN HHD	
34	WR37813	1	SUPPORT-ADJUST	
35	WR38165	1	CONTROLLER-SPRAYLINK	
36	WR37586	1	TERMINAL-FIELDSTAR,W/AGCO	
37	WR37287	1	MOUNT WLDMT-SPEED SENSOR	
39	WR37816	1	KNOB-CLAMPING, 1/2-13 UNC	
40	WR37877	1	GROMMET-RUBBER,FITS 1.88	
41	WR27621	4	SCREW-MACH BTN SOCHD	
42	6662701	4	STRAP RETAINER	
43	WR29675	-	TAPE-DBL MTG 2 IN W X 1/8 IN TH [BULK: 0.33 FT]	
44	WR37840	1	CABLE-BOOM CONTROL KZ TO	
45	WR37841	1	VALVE-ELECTRIC BALL,	
46	WR37844	1	FLOWMETER-1 IN RAPID CHECK	
47	WR38175	1	SENSOR-SPEED, PROXIMITY	
48	WR38174	1	SENSOR-FLOWMETER W/CABLE	
49	WR38173	1	ADAPTER KIT-FLOWMETER,-20	
50	WR38172	1	CABLE-PRESSURE TRANSDUCER	
51	WR38171	1	TRANSDUCER-PRESSURE,0-10	
52	6511249	4	ADHESIVE-CLAMP,WIRE	
54	6803920	1	BAR-REAR	
55	WR37843	2	STANDOFF-ANTENNA MOUNT,	
56	WR601411	4	NUT 0.37-16NC HEX ZN REG LK NY	
57	WR551503	4	BOLT 0.37-16NCX 0.75 G5 ZN HHD	
58	WR37842	1	MOUNT-GPS ANTENNA	
59	WR520260	1	LOCK-METRIPACK,280/2 WIRE	
60	6641176	2	SEAL-CABLE,#12048086	
61	WR41694	2	CONTACT-FEMALE 150SER. MP	
62	WR41693	1	CONNECTOR-2WAY F MP	
63	WR55277	4	SCREW-MACH FLAT SLT HD,#8	
64	WR41663	1	RECEIVER-GPS, SLX300 5HZ	



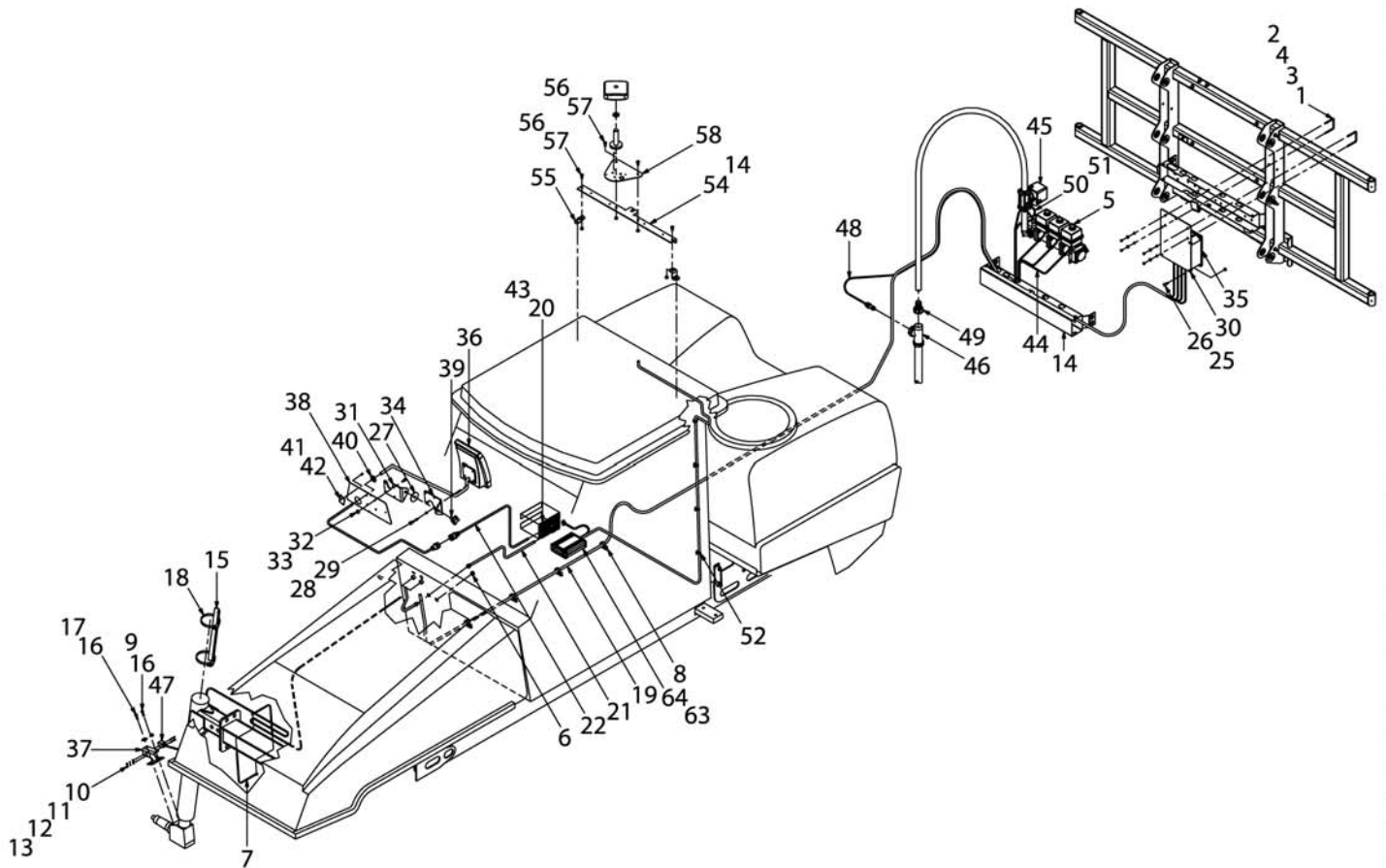
WR01809 - OPT-GPS RECEIVER,5HZ,SC

ITEM	PART #	QTY	DESCRIPTION	COMMENTS
0	WR55865	1	HOSE-NONE(2)-20XPLE X 089	
0	WR39082	1	SENSOR-SPD,PROXIMITY W/DEUTSCH	
0	WR39057	1	WIRE ASM-SPD SNST EXT,SC FSTAR	
0	WR37879	-	INSTL-FIELDSTAR, CTRLT, S/C	SEE PAGE 5-50
1	WR55582	2	U-BOLT,DRAWBAR	
2	WR550612	4	NUT 0.25-20NC HEX ZN REG	
3	WR550507	4	WASHER FL 0.25 ZN REG TYPE-B	
4	WR550493	4	WASHER LK 0.25 ZN REG	
5	WR37874	1	VALVE ASSY-KZ,5 SECTION,	SEE PAGE 5-52
5	WR37871	1	VALVE ASSY-BOOM SHUT OFF	SEE PAGE 5-51
6	6648348	1	PLUG-HOLE	
7	WR562496	2	TIE CABLE 15.0 .18-4.00 BLACK	
8	WR010359	4	CLAMP LOOM 1.25 PER DWG	
9	WR27174	1	CLAMP-SUPPORT,CUSHION,	
10	WR29666	2	NUT-HEX,NO. 8-32 UNC	
11	WR37878	2	WASHER-LOCK SPRING #8	
12	WR55178	2	WASHER-FLAT STD,#8	
13	WR29658	2	SCREW-MACH RND 8NCX 1 1/2	
14	WR553557	9	TIE CABLE 7.37 .06-1.37 BLACK	
15	6627047	1	SHIELD-CABLE	
16	WR55036	2	SCREW-CAP HEX M8 X 25	
17	WR55157	1	WASHER-FLAT,8MM ID,	
18	WR55298	2	CLAMP-HOSE,4 1/2 SST	
19	WR38166	1	WIRE ASSY-PWR/CAN COMM,	
20	WR38167	1	SWITCH INTERFACE-SPRYLINK	
21	WR38168	1	CABLE-CAN COMM,SPRAYLINK	
22	WR38169	1	WIRE ASSY-TERMINAL INTFC	
23	WR38170	1	WIRE ASM-PNR/BOOM SW, F/STAR	
24	WR41689	1	MANUAL-SPRAYLINK OPERATOR	
25	WR601888	4	NUT 0.31-18NC HEX ZN REG NY	
26	WR562676	4	BOLT 0.31-18 X 1.00 G5 ZN CAR	
27	WR11074	1	WASHER-NON ASBESTOS	
28	WR55104	4	WASHER-LOCK SPRING,6MM ID	
29	WR562639	4	BOLT M6 1.00X12MM G8.8 ZN HHD	
30	WR37817	1	PLATE-MOUNT,SPRAYLINK	
31	WR37814	1	SUPPORT WLDMT-ADJUST	
32	WR11505	4	NUT-SER FLG, 5/16-18 UNC	
33	WR550183	4	BOLT 0.31-18NCX 0.75 G5 ZN HHD	
34	WR37813	1	SUPPORT-ADJUST	
35	WR38165	1	CONTROLLER-SPRAYLINK	
36	WR37586	1	TERMINAL-FIELDSTAR,W/AGCO	
37	WR37287	1	MOUNT WLDMT-SPEED SENSOR	
39	WR37816	1	KNOB-CLAMPING, 1/2-13 UNC	
40	WR37877	1	GROMMET-RUBBER,FITS 1.88	
41	WR27621	4	SCREW-MACH BTN SOCHD	
42	6662701	4	STRAP RETAINER	
43	WR29675	-	TAPE-DBL MTG 2 IN W X 1/8 IN TH [BULK: 0.33 FT]	
44	WR37840	1	CABLE-BOOM CONTROL KZ TO	
45	WR37841	1	VALVE-ELECTRIC BALL,	
46	WR37844	1	FLOWMETER-1 IN RAPID CHECK	
47	WR38175	1	SENSOR-SPEED, PROXIMITY	
48	WR38174	1	SENSOR-FLOWMETER W/CABLE	
49	WR38173	1	ADAPTER KIT-FLOWMETER,-20	
50	WR38172	1	CABLE-PRESSURE TRANSDUCER	
51	WR38171	1	TRANSDUCER-PRESSURE,0-10	
52	6511249	4	ADHESIVE-CLAMP,WIRE	
54	6803920	1	BAR-REAR	
55	WR37843	2	STANDOFF-ANTENNA MOUNT,	
56	WR601411	4	NUT 0.37-16NC HEX ZN REG LK NY	
57	WR551503	4	BOLT 0.37-16NCX 0.75 G5 ZN HHD	
58	WR37842	1	MOUNT-GPS ANTENNA	
59	WR520260	1	LOCK-METRIPACK,280/2 WIRE	
60	6641176	2	SEAL-CABLE,#12048086	
61	WR41694	2	CONTACT-FEMALE 150SER. MP	
62	WR41693	1	CONNECTOR-2WAY F MP	
63	WR55277	4	SCREW-MACH FLAT SLT HD,#8	
64	WR41663	1	RECEIVER-GPS, SLX300 5HZ	



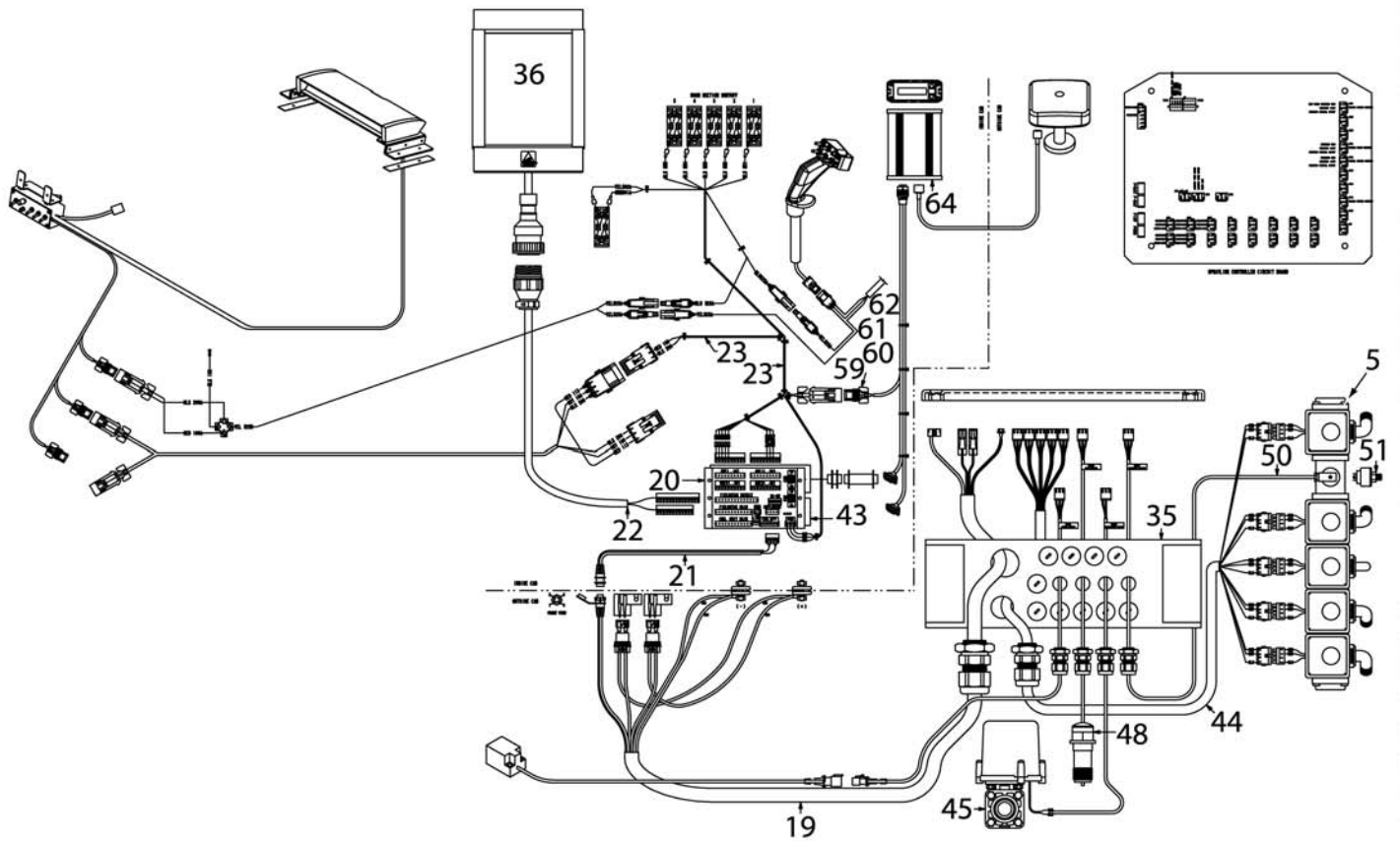
WR01809 - OPT-GPS RECEIVER,5HZ,SC

ITEM	PART #	QTY	DESCRIPTION	COMMENTS
0	WR55865	1	HOSE-NONE(2)-20XPLE X 089	
0	WR39082	1	SENSOR-SPD,PROXIMITY W/DEUTSCH	
0	WR39057	1	WIRE ASM-SPD SNST EXT,SC FSTAR	
0	WR37879	-	INSTL-FIELDSTAR, CTRLT, S/C	SEE PAGE 5-50
1	WR55582	2	U-BOLT,DRAWBAR	
2	WR550612	4	NUT 0.25-20NC HEX ZN REG	
3	WR550507	4	WASHER FL 0.25 ZN REG TYPE-B	
4	WR550493	4	WASHER LK 0.25 ZN REG	
5	WR37874	1	VALVE ASSY-KZ,5 SECTION,	SEE PAGE 5-52
5	WR37871	1	VALVE ASSY-BOOM SHUT OFF	SEE PAGE 5-51
6	6648348	1	PLUG-HOLE	
7	WR562496	2	TIE CABLE 15.0 .18-4.00 BLACK	
8	WR010359	4	CLAMP LOOM 1.25 PER DWG	
9	WR27174	1	CLAMP-SUPPORT,CUSHION,	
10	WR29666	2	NUT-HEX,NO. 8-32 UNC	
11	WR37878	2	WASHER-LOCK SPRING #8	
12	WR55178	2	WASHER-FLAT STD,#8	
13	WR29658	2	SCREW-MACH RND 8NCX 1 1/2	
14	WR553557	9	TIE CABLE 7.37 .06-1.37 BLACK	
15	6627047	1	SHIELD-CABLE	
16	WR55036	2	SCREW-CAP HEX M8 X 25	
17	WR55157	1	WASHER-FLAT,8MM ID,	
18	WR55298	2	CLAMP-HOSE,4 1/2 SST	
19	WR38166	1	WIRE ASSY-PWR/CAN COMM,	
20	WR38167	1	SWITCH INTERFACE-SPRYLINK	
21	WR38168	1	CABLE-CAN COMM,SPRAYLINK	
22	WR38169	1	WIRE ASSY-TERMINAL INTFC	
23	WR38170	1	WIRE ASM-PNR/BOOM SW, F/STAR	
24	WR41689	1	MANUAL-SPRAYLINK OPERATOR	
25	WR601888	4	NUT 0.31-18NC HEX ZN REG NY	
26	WR562676	4	BOLT 0.31-18 X 1.00 G5 ZN CAR	
27	WR11074	1	WASHER-NON ASBESTOS	
28	WR55104	4	WASHER-LOCK SPRING,6MM ID	
29	WR562639	4	BOLT M6 1.00X12MM G8.8 ZN HHD	
30	WR37817	1	PLATE-MOUNT,SPRAYLINK	
31	WR37814	1	SUPPORT WLDMT-ADJUST	
32	WR11505	4	NUT-SER FLG. 5/16-18 UNC	
33	WR550183	4	BOLT 0.31-18NCX 0.75 G5 ZN HHD	
34	WR37813	1	SUPPORT-ADJUST	
35	WR38165	1	CONTROLLER-SPRAYLINK	
36	WR37586	1	TERMINAL-FIELDSTAR,W/AGCO	
37	WR37287	1	MOUNT WLDMT-SPEED SENSOR	
39	WR37816	1	KNOB-CLAMPING, 1/2-13 UNC	
40	WR37877	1	GROMMET-RUBBER,FITS 1.88	
41	WR27621	4	SCREW-MACH BTN SOCHD	
42	6662701	4	STRAP RETAINER	
43	WR29675	-	TAPE-DBL MTG 2 IN W X 1/8 IN TH [BULK: 0.33 FT]	
44	WR37840	1	CABLE-BOOM CONTROL KZ TO	
45	WR37841	1	VALVE-ELECTRIC BALL,	
46	WR37844	1	FLOWMETER-1 IN RAPID CHECK	
47	WR38175	1	SENSOR-SPEED, PROXIMITY	
48	WR38174	1	SENSOR-FLOWMETER W/CABLE	
49	WR38173	1	ADAPTER KIT-FLOWMETER,-20	
50	WR38172	1	CABLE-PRESSURE TRANSDUCER	
51	WR38171	1	TRANSDUCER-PRESSURE,0-10	
52	6511249	4	ADHESIVE-CLAMP,WIRE	
54	6803920	1	BAR-REAR	
55	WR37843	2	STANDOFF-ANTENNA MOUNT,	
56	WR601411	4	NUT 0.37-16NC HEX ZN REG LK NY	
57	WR551503	4	BOLT 0.37-16NCX 0.75 G5 ZN HHD	
58	WR37842	1	MOUNT-GPS ANTENNA	
59	WR520260	1	LOCK-METRIPACK,280/2 WIRE	
60	6641176	2	SEAL-CABLE,#12048086	
61	WR41694	2	CONTACT-FEMALE 150SER. MP	
62	WR41693	1	CONNECTOR-2WAY F MP	
63	WR55277	4	SCREW-MACH FLAT SLT HD,#8	
64	WR41663	1	RECEIVER-GPS, SLX300 5HZ	



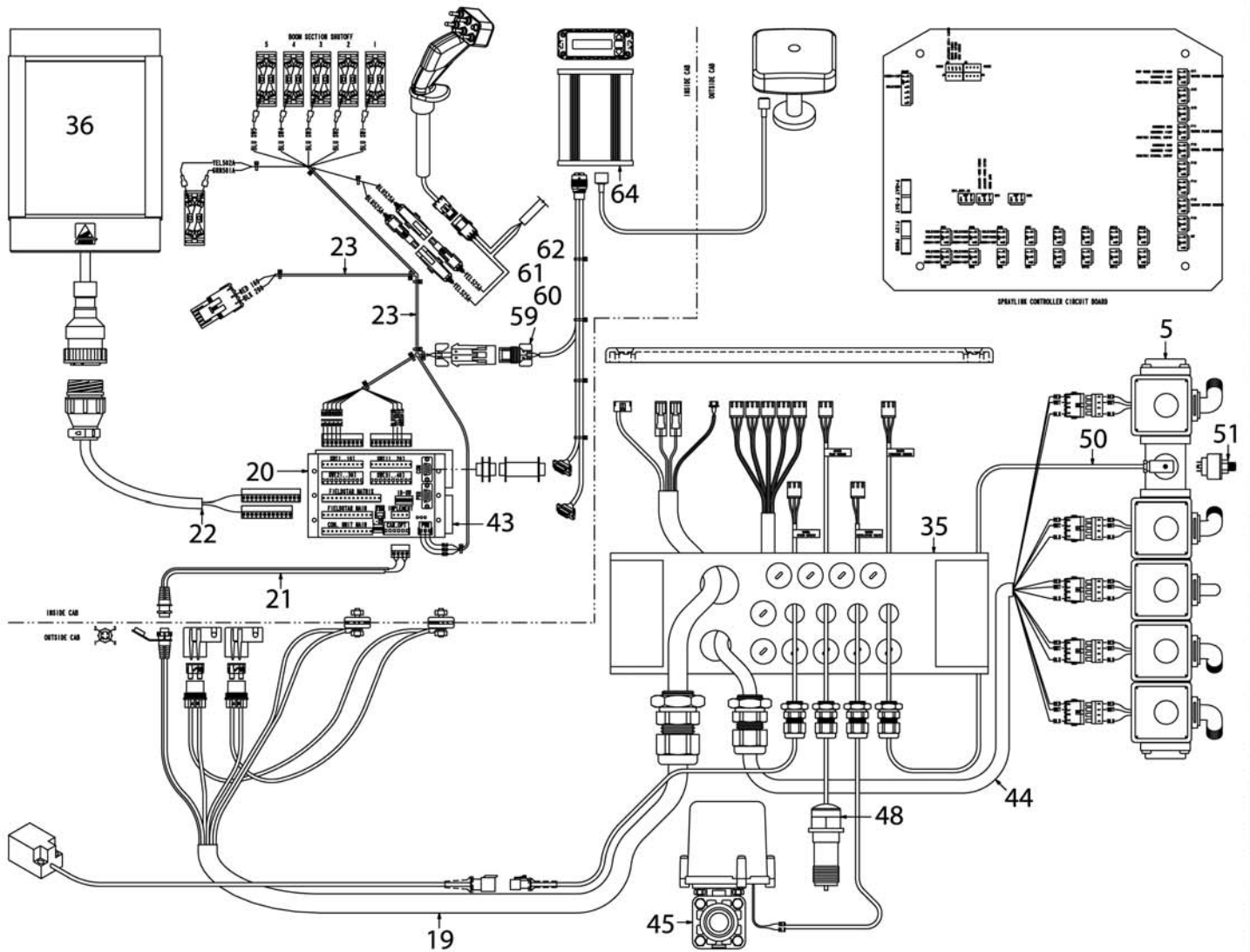
WR01809 - OPT-GPS RECEIVER,5HZ,SC

ITEM	PART #	QTY	DESCRIPTION	COMMENTS
0	WR55865	1	HOSE-NONE(2)-20XPLE X 089	
0	WR39082	1	SENSOR-SPD,PROXIMITY W/DEUTSCH	
0	WR39057	1	WIRE ASM-SPD SNST EXT,SC FSTAR	
0	WR37879	-	INSTL-FIELDSTAR, CTRLT, S/C	SEE PAGE 5-50
1	WR55582	2	U-BOLT,DRAWBAR	
2	WR550612	4	NUT 0.25-20NC HEX ZN REG	
3	WR550507	4	WASHER FL 0.25 ZN REG TYPE-B	
4	WR550493	4	WASHER LK 0.25 ZN REG	
5	WR37874	1	VALVE ASSY-KZ,5 SECTION,	SEE PAGE 5-52
5	WR37871	1	VALVE ASSY-BOOM SHUT OFF	SEE PAGE 5-51
6	6648348	1	PLUG-HOLE	
7	WR562496	2	TIE CABLE 15.0 .18-4.00 BLACK	
8	WR010359	4	CLAMP LOOM 1.25 PER DWG	
9	WR27174	1	CLAMP-SUPPORT,CUSHION,	
10	WR29666	2	NUT-HEX,NO. 8-32 UNC	
11	WR37878	2	WASHER-LOCK SPRING #8	
12	WR55178	2	WASHER-FLAT STD,#8	
13	WR29658	2	SCREW-MACH RND 8NCX 1 1/2	
14	WR553557	9	TIE CABLE 7.37 .06-1.37 BLACK	
15	6627047	1	SHIELD-CABLE	
16	WR55036	2	SCREW-CAP HEX M8 X 25	
17	WR55157	1	WASHER-FLAT,8MM ID,	
18	WR55298	2	CLAMP-HOSE,4 1/2 SST	
19	WR38166	1	WIRE ASSY-PWR/CAN COMM,	
20	WR38167	1	SWITCH INTERFACE-SPRYLINK	
21	WR38168	1	CABLE-CAN COMM,SPRAYLINK	
22	WR38169	1	WIRE ASSY-TERMINAL INTFC	
23	WR38170	1	WIRE ASM-PNR/BOOM SW, F/STAR	
24	WR41689	1	MANUAL-SPRAYLINK OPERATOR	
25	WR601888	4	NUT 0.31-18NC HEX ZN REG NY	
26	WR562676	4	BOLT 0.31-18 X 1.00 G5 ZN CAR	
27	WR11074	1	WASHER-NON ASBESTOS	
28	WR55104	4	WASHER-LOCK SPRING,6MM ID	
29	WR562639	4	BOLT M6 1.00X12MM G8.8 ZN HHD	
30	WR37817	1	PLATE-MOUNT,SPRAYLINK	
31	WR37814	1	SUPPORT WLDMT-ADJUST	
32	WR11505	4	NUT-SER FLG. 5/16-18 UNC	
33	WR550183	4	BOLT 0.31-18NCX 0.75 G5 ZN HHD	
34	WR37813	1	SUPPORT-ADJUST	
35	WR38165	1	CONTROLLER-SPRAYLINK	
36	WR37586	1	TERMINAL-FIELDSTAR,W/AGCO	
37	WR37287	1	MOUNT WLDMT-SPEED SENSOR	
39	WR37816	1	KNOB-CLAMPING, 1/2-13 UNC	
40	WR37877	1	GROMMET-RUBBER,FITS 1.88	
41	WR27621	4	SCREW-MACH BTN SOCHD	
42	6662701	4	STRAP RETAINER	
43	WR29675	-	TAPE-DBL MTG 2 IN W X 1/8 IN TH [BULK: 0.33 FT]	
44	WR37840	1	CABLE-BOOM CONTROL KZ TO	
45	WR37841	1	VALVE-ELECTRIC BALL,	
46	WR37844	1	FLOWMETER-1 IN RAPID CHECK	
47	WR38175	1	SENSOR-SPEED, PROXIMITY	
48	WR38174	1	SENSOR-FLOWMETER W/CABLE	
49	WR38173	1	ADAPTER KIT-FLOWMETER,-20	
50	WR38172	1	CABLE-PRESSURE TRANSDUCER	
51	WR38171	1	TRANSDUCER-PRESSURE,0-10	
52	6511249	4	ADHESIVE-CLAMP,WIRE	
54	6803920	1	BAR-REAR	
55	WR37843	2	STANDOFF-ANTENNA MOUNT,	
56	WR601411	4	NUT 0.37-16NC HEX ZN REG LK NY	
57	WR551503	4	BOLT 0.37-16NCX 0.75 G5 ZN HHD	
58	WR37842	1	MOUNT-GPS ANTENNA	
59	WR520260	1	LOCK-METRIPACK,280/2 WIRE	
60	6641176	2	SEAL-CABLE,#12048086	
61	WR41694	2	CONTACT-FEMALE 150SER. MP	
62	WR41693	1	CONNECTOR-2WAY F MP	
63	WR55277	4	SCREW-MACH FLAT SLT HD,#8	
64	WR41663	1	RECEIVER-GPS, SLX300 5HZ	



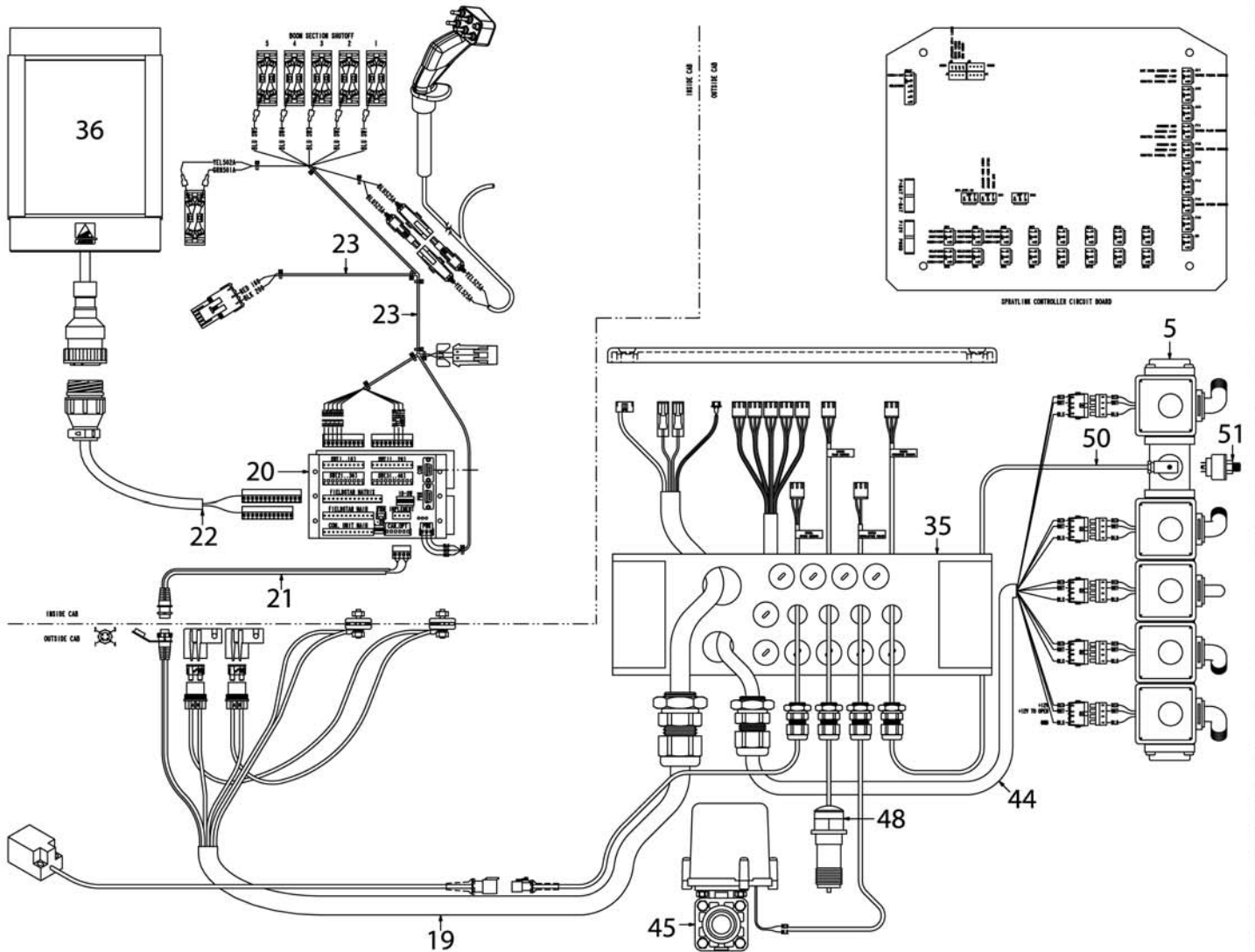
WR37879 - INSTL-FIELDSTAR, CTRLT, S/C

ITEM	PART #	QTY	DESCRIPTION	COMMENTS
0	WR01809	-	OPT-GPS RECEIVER,5HZ,SC	SEE PAGE 5-49
1	WR55582	2	U-BOLT,DRAWBAR	
2	WR550612	4	NUT 0.25-20NC HEX ZN REG	
3	WR550507	4	WASHER FL 0.25 ZN REG TYPE-B	
4	WR550493	4	WASHER LK 0.25 ZN REG	
5	WR37874	1	VALVE ASSY-KZ,5 SECTION,	SEE PAGE 5-52
5	WR37871	1	VALVE ASSY-BOOM SHUT OFF	SEE PAGE 5-51
6	6648348	1	PLUG-HOLE	
7	WR562496	2	TIE CABLE 15.0 .18-4.00 BLACK	
8	WR010359	4	CLAMP LOOM 1.25 PER DWG	
9	WR27174	1	CLAMP-SUPPORT,CUSHION,	
10	WR29666	2	NUT-HEX,NO. 8-32 UNC	
11	WR37878	2	WASHER-LOCK SPRING #8	
12	WR55178	2	WASHER-FLAT STD,#8	
13	WR29658	2	SCREW-MACH RND 8NCX 1 1/2	
14	6610510	9	TIE-NYLON R/B 553557	
15	6627047	1	SHIELD-CABLE	
16	WR55036	2	SCREW-CAP HEX M8 X 25	
17	WR55157	1	WASHER-FLAT,8MM ID,	
18	WR55298	2	CLAMP-HOSE,4 1/2 SST	
19	WR38166	1	WIRE ASSY-PWR/CAN COMM,	
20	WR38167	1	SWITCH INTERFACE-SPRYLINK	
21	WR38168	1	CABLE-CAN COMM,SPRAYLINK	
22	WR38169	1	WIRE ASSY-TERMINAL INTFC	
23	WR38170	1	WIRE ASM-PNR/BOOM SW, F/STAR	
24	WR41689	1	MANUAL-SPRAYLINK OPERATOR	
25	WR601888	4	NUT 0.31-18NC HEX ZN REG NY	
26	WR562676	4	BOLT 0.31-18 X 1.00 G5 ZN CAR	
27	WR11074	1	WASHER-NON ASBESTOS	
28	WR55104	4	WASHER-LOCK SPRING,6MM ID	
29	WR562639	4	BOLT M6 1.00X12MM G8.8 ZN HHD	
30	WR37817	1	PLATE-MOUNT,SPRAYLINK	
31	WR37814	1	SUPPORT WLDMT-ADJUST	
32	WR11505	4	NUT-SER FLG, 5/16-18 UNC	
33	WR550183	4	BOLT 0.31-18NCX 0.75 G5 ZN HHD	
34	WR37813	1	SUPPORT-ADJUST	
35	WR38165	1	CONTROLLER-SPRAYLINK	
36	WR37586	1	TERMINAL-FIELDSTAR,W/AGCO	
37	WR37287	1	MOUNT WLDMT-SPEED SENSOR	
38	WR37265	1	PANEL-DASH,FIELDSTAR,SC	
39	WR37816	1	KNOB-CLAMPING, 1/2-13 UNC	
40	WR37877	1	GROMMET-RUBBER,FITS 1.88	
41	WR27621	4	SCREW-MACH BTN SOCHD	
42	6662701	4	STRAP RETAINER	
43	WR29675	-	TAPE-DBL MTG 2 IN W X 1/8 IN TH [BULK: 0.33 FT]	
44	WR37840	1	CABLE-BOOM CONTROL KZ TO	
45	WR37841	1	VALVE-ELECTRIC BALL,	
46	WR37844	1	FLOWMETER-1 IN RAPID CHECK	
47	WR38175	1	SENSOR-SPEED, PROXIMITY	
48	WR38174	1	SENSOR-FLOWMETER W/CABLE	
49	WR38173	1	ADAPTER KIT-FLOWMETER,-20	
50	WR38172	1	CABLE-PRESSURE TRANSDUCER	
51	WR38171	1	TRANSDUCER-PRESSURE,0-10	
52	6511249	4	ADHESIVE-CLAMP,WIRE	
54	6803920	1	BAR-REAR	
55	WR37843	2	STANDOFF-ANTENNA MOUNT,	
56	WR601411	4	NUT 0.37-16NC HEX ZN REG LK NY	
57	WR551503	4	BOLT 0.37-16NCX 0.75 G5 ZN HHD	
58	WR37842	1	MOUNT-GPS ANTENNA	
59	WR520260	1	LOCK-METRIPACK,280/2 WIRE	
60	6641176	2	SEAL-CABLE,#12048086	
61	WR41694	2	CONTACT-FEMALE 150SER. MP	
62	WR41693	1	CONNECTOR-2WAY F MP	
63	WR55277	4	SCREW-MACH FLAT SLT HD,#8	
64	WR41663	1	RECEIVER-GPS, SLX300 5HZ FOR FIELDSTAR SOFTWARE USE 71395027	



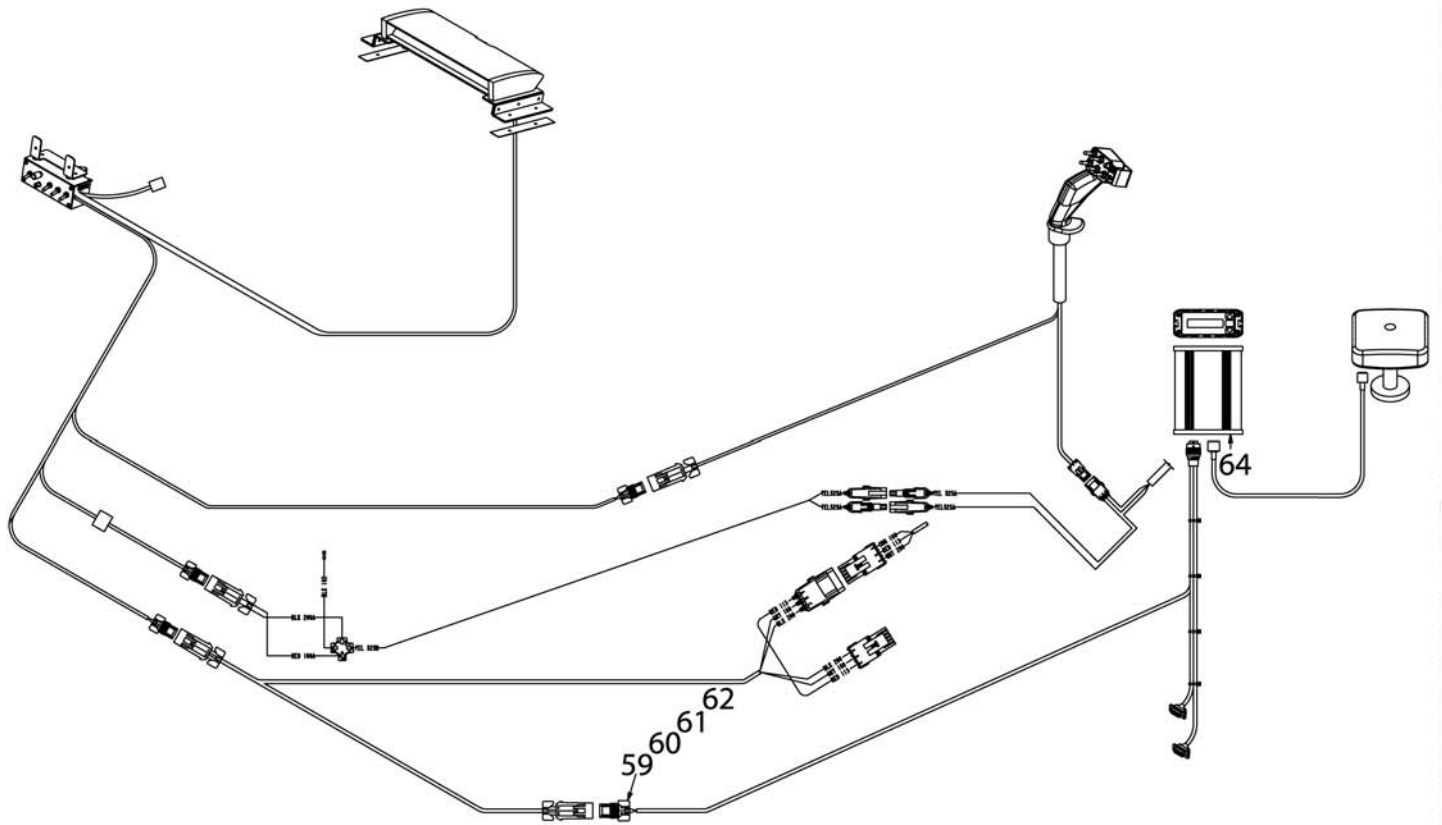
WR37879 - INSTL-FIELDSTAR, CTRLT, S/C

ITEM	PART #	QTY	DESCRIPTION	COMMENTS
0	WR01809	-	OPT-GPS RECEIVER,5HZ,SC	SEE PAGE 5-49
1	WR55582	2	U-BOLT,DRAWBAR	
2	WR550612	4	NUT 0.25-20NC HEX ZN REG	
3	WR550507	4	WASHER FL 0.25 ZN REG TYPE-B	
4	WR550493	4	WASHER LK 0.25 ZN REG	
5	WR37874	1	VALVE ASSY-KZ,5 SECTION,	SEE PAGE 5-52
5	WR37871	1	VALVE ASSY-BOOM SHUT OFF	SEE PAGE 5-51
6	6648348	1	PLUG-HOLE	
7	WR562496	2	TIE CABLE 15.0 .18-4.00 BLACK	
8	WR010359	4	CLAMP LOOM 1.25 PER DWG	
9	WR27174	1	CLAMP-SUPPORT,CUSHION,	
10	WR29666	2	NUT-HEX,NO. 8-32 UNC	
11	WR37878	2	WASHER-LOCK SPRING #8	
12	WR55178	2	WASHER-FLAT STD,#8	
13	WR29658	2	SCREW-MACH RND 8NCX 1 1/2	
14	6610510	9	TIE-NYLON R/B 553557	
15	6627047	1	SHIELD-CABLE	
16	WR55036	2	SCREW-CAP HEX M8 X 25	
17	WR55157	1	WASHER-FLAT,8MM ID,	
18	WR55298	2	CLAMP-HOSE,4 1/2 SST	
19	WR38166	1	WIRE ASSY-PWR/CAN COMM,	
20	WR38167	1	SWITCH INTERFACE-SPRYLINK	
21	WR38168	1	CABLE-CAN COMM,SPRAYLINK	
22	WR38169	1	WIRE ASSY-TERMINAL INTFC	
23	WR38170	1	WIRE ASM-PNR/BOOM SW, F/STAR	
24	WR41689	1	MANUAL-SPRAYLINK OPERATOR	
25	WR601888	4	NUT 0.31-18NC HEX ZN REG NY	
26	WR562676	4	BOLT 0.31-18 X 1.00 G5 ZN CAR	
27	WR11074	1	WASHER-NON ASBESTOS	
28	WR55104	4	WASHER-LOCK SPRING,6MM ID	
29	WR562639	4	BOLT M6 1.00X12MM G8.8 ZN HHD	
30	WR37817	1	PLATE-MOUNT,SPRAYLINK	
31	WR37814	1	SUPPORT WLDMT-ADJUST	
32	WR11505	4	NUT-SER FLG, 5/16-18 UNC	
33	WR550183	4	BOLT 0.31-18NCX 0.75 G5 ZN HHD	
34	WR37813	1	SUPPORT-ADJUST	
35	WR38165	1	CONTROLLER-SPRAYLINK	
36	WR37586	1	TERMINAL-FIELDSTAR,W/AGCO	
37	WR37287	1	MOUNT WLDMT-SPEED SENSOR	
38	WR37265	1	PANEL-DASH,FIELDSTAR,SC	
39	WR37816	1	KNOB-CLAMPING, 1/2-13 UNC	
40	WR37877	1	GROMMET-RUBBER,FITS 1.88	
41	WR27621	4	SCREW-MACH BTN SOCHD	
42	6662701	4	STRAP RETAINER	
43	WR29675	-	TAPE-DBL MTG 2 IN W X 1/8 IN TH [BULK: 0.33 FT]	
44	WR37840	1	CABLE-BOOM CONTROL KZ TO	
45	WR37841	1	VALVE-ELECTRIC BALL,	
46	WR37844	1	FLOWMETER-1 IN RAPID CHECK	
47	WR38175	1	SENSOR-SPEED, PROXIMITY	
48	WR38174	1	SENSOR-FLOWMETER W/CABLE	
49	WR38173	1	ADAPTER KIT-FLOWMETER,-20	
50	WR38172	1	CABLE-PRESSURE TRANSDUCER	
51	WR38171	1	TRANSDUCER-PRESSURE,0-10	
52	6511249	4	ADHESIVE-CLAMP,WIRE	
54	6803920	1	BAR-REAR	
55	WR37843	2	STANDOFF-ANTENNA MOUNT,	
56	WR601411	4	NUT 0.37-16NC HEX ZN REG LK NY	
57	WR551503	4	BOLT 0.37-16NCX 0.75 G5 ZN HHD	
58	WR37842	1	MOUNT-GPS ANTENNA	
59	WR520260	1	LOCK-METRIPACK,280/2 WIRE	
60	6641176	2	SEAL-CABLE,#12048086	
61	WR41694	2	CONTACT-FEMALE 150SER. MP	
62	WR41693	1	CONNECTOR-2WAY F MP	
63	WR55277	4	SCREW-MACH FLAT SLT HD,#8	
64	WR41663	1	RECEIVER-GPS, SLX300 5HZ FOR FIELDSTAR SOFTWARE USE 71395027	



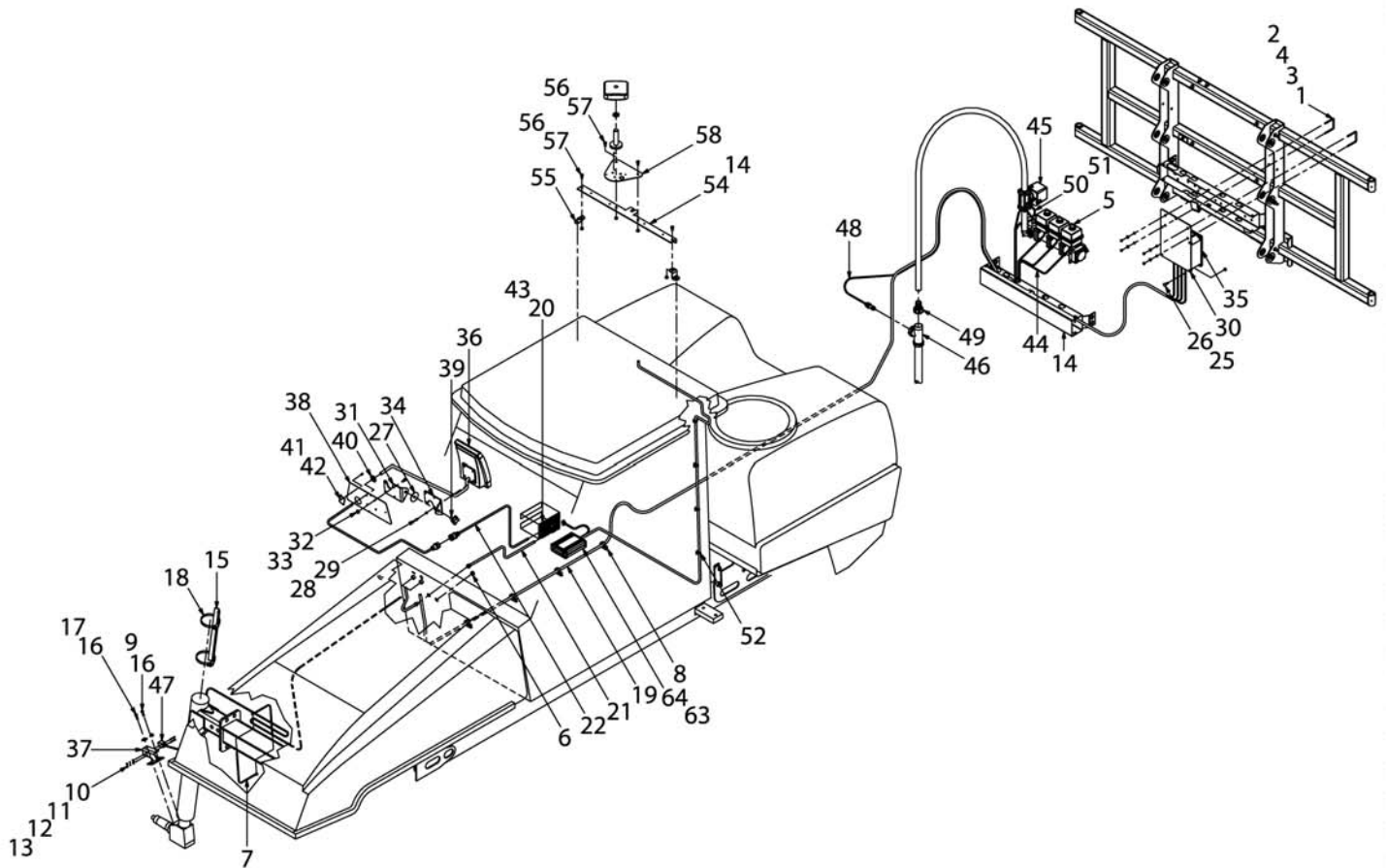
WR37879 - INSTL-FIELDSTAR, CTRLT, S/C

ITEM	PART #	QTY	DESCRIPTION	COMMENTS
0	WR01809	-	OPT-GPS RECEIVER,5HZ,SC	SEE PAGE 5-49
1	WR55582	2	U-BOLT,DRAWBAR	
2	WR550612	4	NUT 0.25-20NC HEX ZN REG	
3	WR550507	4	WASHER FL 0.25 ZN REG TYPE-B	
4	WR550493	4	WASHER LK 0.25 ZN REG	
5	WR37874	1	VALVE ASSY-KZ,5 SECTION,	SEE PAGE 5-52
5	WR37871	1	VALVE ASSY-BOOM SHUT OFF	SEE PAGE 5-51
6	6648348	1	PLUG-HOLE	
7	WR562496	2	TIE CABLE 15.0 .18-4.00 BLACK	
8	WR010359	4	CLAMP LOOM 1.25 PER DWG	
9	WR27174	1	CLAMP-SUPPORT,CUSHION,	
10	WR29666	2	NUT-HEX,NO. 8-32 UNC	
11	WR37878	2	WASHER-LOCK SPRING #8	
12	WR55178	2	WASHER-FLAT STD,#8	
13	WR29658	2	SCREW-MACH RND 8NCX 1 1/2	
14	6610510	9	TIE-NYLON R/B 553557	
15	6627047	1	SHIELD-CABLE	
16	WR55036	2	SCREW-CAP HEX M8 X 25	
17	WR55157	1	WASHER-FLAT,8MM ID,	
18	WR55298	2	CLAMP-HOSE,4 1/2 SST	
19	WR38166	1	WIRE ASSY-PWR/CAN COMM,	
20	WR38167	1	SWITCH INTERFACE-SPRYLINK	
21	WR38168	1	CABLE-CAN COMM,SPRAYLINK	
22	WR38169	1	WIRE ASSY-TERMINAL INTFC	
23	WR38170	1	WIRE ASM-PNR/BOOM SW, F/STAR	
24	WR41689	1	MANUAL-SPRAYLINK OPERATOR	
25	WR601888	4	NUT 0.31-18NC HEX ZN REG NY	
26	WR562676	4	BOLT 0.31-18 X 1.00 G5 ZN CAR	
27	WR11074	1	WASHER-NON ASBESTOS	
28	WR55104	4	WASHER-LOCK SPRING,6MM ID	
29	WR562639	4	BOLT M6 1.00X12MM G8.8 ZN HHD	
30	WR37817	1	PLATE-MOUNT,SPRAYLINK	
31	WR37814	1	SUPPORT WLDMT-ADJUST	
32	WR11505	4	NUT-SER FLG, 5/16-18 UNC	
33	WR550183	4	BOLT 0.31-18NCX 0.75 G5 ZN HHD	
34	WR37813	1	SUPPORT-ADJUST	
35	WR38165	1	CONTROLLER-SPRAYLINK	
36	WR37586	1	TERMINAL-FIELDSTAR,W/AGCO	
37	WR37287	1	MOUNT WLDMT-SPEED SENSOR	
38	WR37265	1	PANEL-DASH,FIELDSTAR,SC	
39	WR37816	1	KNOB-CLAMPING, 1/2-13 UNC	
40	WR37877	1	GROMMET-RUBBER,FITS 1.88	
41	WR27621	4	SCREW-MACH BTN SOCHD	
42	6662701	4	STRAP RETAINER	
43	WR29675	-	TAPE-DBL MTG 2 IN W X 1/8 IN TH [BULK: 0.33 FT]	
44	WR37840	1	CABLE-BOOM CONTROL KZ TO	
45	WR37841	1	VALVE-ELECTRIC BALL,	
46	WR37844	1	FLOWMETER-1 IN RAPID CHECK	
47	WR38175	1	SENSOR-SPEED, PROXIMITY	
48	WR38174	1	SENSOR-FLOWMETER W/CABLE	
49	WR38173	1	ADAPTER KIT-FLOWMETER,-20	
50	WR38172	1	CABLE-PRESSURE TRANSDUCER	
51	WR38171	1	TRANSDUCER-PRESSURE,0-10	
52	6511249	4	ADHESIVE-CLAMP,WIRE	
54	6803920	1	BAR-REAR	
55	WR37843	2	STANDOFF-ANTENNA MOUNT,	
56	WR601411	4	NUT 0.37-16NC HEX ZN REG LK NY	
57	WR551503	4	BOLT 0.37-16NCX 0.75 G5 ZN HHD	
58	WR37842	1	MOUNT-GPS ANTENNA	
59	WR520260	1	LOCK-METRIPACK,280/2 WIRE	
60	6641176	2	SEAL-CABLE,#12048086	
61	WR41694	2	CONTACT-FEMALE 150SER. MP	
62	WR41693	1	CONNECTOR-2WAY F MP	
63	WR55277	4	SCREW-MACH FLAT SLT HD,#8	
64	WR41663	1	RECEIVER-GPS, SLX300 5HZ FOR FIELDSTAR SOFTWARE USE 71395027	



WR37879 - INSTL-FIELDSTAR, CTRLT, S/C

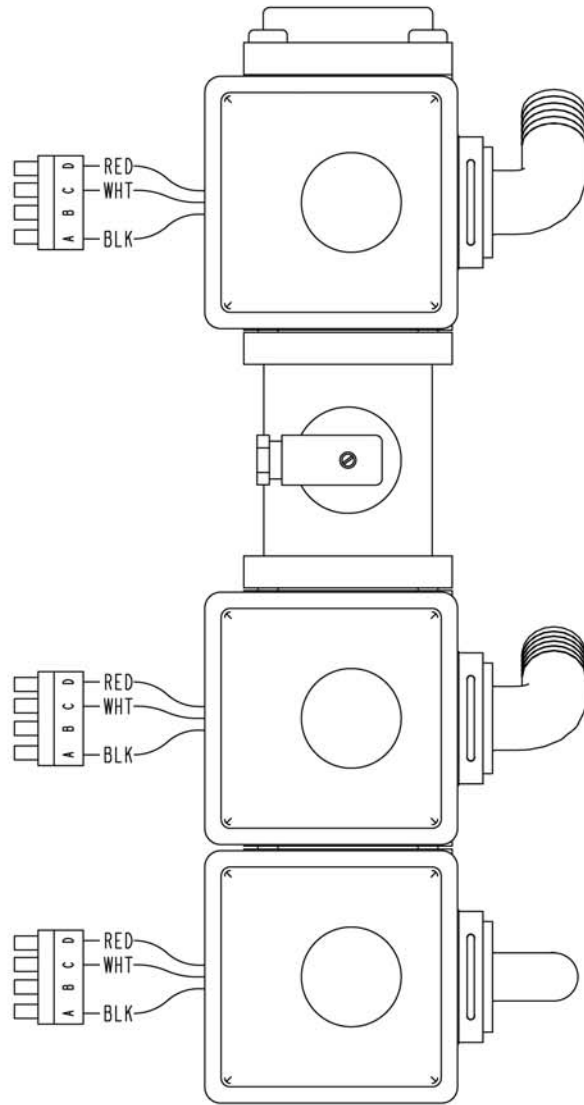
ITEM	PART #	QTY	DESCRIPTION	COMMENTS
0	WR01809	-	OPT-GPS RECEIVER,5HZ,SC	SEE PAGE 5-49
1	WR55582	2	U-BOLT,DRAWBAR	
2	WR550612	4	NUT 0.25-20NC HEX ZN REG	
3	WR550507	4	WASHER FL 0.25 ZN REG TYPE-B	
4	WR550493	4	WASHER LK 0.25 ZN REG	
5	WR37874	1	VALVE ASSY-KZ,5 SECTION,	SEE PAGE 5-52
5	WR37871	1	VALVE ASSY-BOOM SHUT OFF	SEE PAGE 5-51
6	6648348	1	PLUG-HOLE	
7	WR562496	2	TIE CABLE 15.0 .18-4.00 BLACK	
8	WR010359	4	CLAMP LOOM 1.25 PER DWG	
9	WR27174	1	CLAMP-SUPPORT,CUSHION,	
10	WR29666	2	NUT-HEX,NO. 8-32 UNC	
11	WR37878	2	WASHER-LOCK SPRING #8	
12	WR55178	2	WASHER-FLAT STD,#8	
13	WR29658	2	SCREW-MACH RND 8NCX 1 1/2	
14	6610510	9	TIE-NYLON R/B 553557	
15	6627047	1	SHIELD-CABLE	
16	WR55036	2	SCREW-CAP HEX M8 X 25	
17	WR55157	1	WASHER-FLAT,8MM ID,	
18	WR55298	2	CLAMP-HOSE,4 1/2 SST	
19	WR38166	1	WIRE ASSY-PWR/CAN COMM,	
20	WR38167	1	SWITCH INTERFACE-SPRYLINK	
21	WR38168	1	CABLE-CAN COMM,SPRAYLINK	
22	WR38169	1	WIRE ASSY-TERMINAL INTFC	
23	WR38170	1	WIRE ASM-PNR/BOOM SW, F/STAR	
24	WR41689	1	MANUAL-SPRAYLINK OPERATOR	
25	WR601888	4	NUT 0.31-18NC HEX ZN REG NY	
26	WR562676	4	BOLT 0.31-18 X 1.00 G5 ZN CAR	
27	WR11074	1	WASHER-NON ASBESTOS	
28	WR55104	4	WASHER-LOCK SPRING,6MM ID	
29	WR562639	4	BOLT M6 1.00X12MM G8.8 ZN HHD	
30	WR37817	1	PLATE-MOUNT,SPRAYLINK	
31	WR37814	1	SUPPORT WLDMT-ADJUST	
32	WR11505	4	NUT-SER FLG, 5/16-18 UNC	
33	WR550183	4	BOLT 0.31-18NCX 0.75 G5 ZN HHD	
34	WR37813	1	SUPPORT-ADJUST	
35	WR38165	1	CONTROLLER-SPRAYLINK	
36	WR37586	1	TERMINAL-FIELDSTAR,W/AGCO	
37	WR37287	1	MOUNT WLDMT-SPEED SENSOR	
38	WR37265	1	PANEL-DASH,FIELDSTAR,SC	
39	WR37816	1	KNOB-CLAMPING, 1/2-13 UNC	
40	WR37877	1	GROMMET-RUBBER,FITS 1.88	
41	WR27621	4	SCREW-MACH BTN SOCHD	
42	6662701	4	STRAP RETAINER	
43	WR29675	-	TAPE-DBL MTG 2 IN W X 1/8 IN TH [BULK: 0.33 FT]	
44	WR37840	1	CABLE-BOOM CONTROL KZ TO	
45	WR37841	1	VALVE-ELECTRIC BALL,	
46	WR37844	1	FLOWMETER-1 IN RAPID CHECK	
47	WR38175	1	SENSOR-SPEED, PROXIMITY	
48	WR38174	1	SENSOR-FLOWMETER W/CABLE	
49	WR38173	1	ADAPTER KIT-FLOWMETER,-20	
50	WR38172	1	CABLE-PRESSURE TRANSDUCER	
51	WR38171	1	TRANSDUCER-PRESSURE,0-10	
52	6511249	4	ADHESIVE-CLAMP,WIRE	
54	6803920	1	BAR-REAR	
55	WR37843	2	STANDOFF-ANTENNA MOUNT,	
56	WR601411	4	NUT 0.37-16NC HEX ZN REG LK NY	
57	WR551503	4	BOLT 0.37-16NCX 0.75 G5 ZN HHD	
58	WR37842	1	MOUNT-GPS ANTENNA	
59	WR520260	1	LOCK-METRIPACK,280/2 WIRE	
60	6641176	2	SEAL-CABLE,#12048086	
61	WR41694	2	CONTACT-FEMALE 150SER. MP	
62	WR41693	1	CONNECTOR-2WAY F MP	
63	WR55277	4	SCREW-MACH FLAT SLT HD,#8	
64	WR41663	1	RECEIVER-GPS, SLX300 5HZ FOR FIELDSTAR SOFTWARE USE 71395027	



WR37879 - INSTL-FIELDSTAR, CTRLT, S/C

ITEM	PART #	QTY	DESCRIPTION	COMMENTS
0	WR01809	-	OPT-GPS RECEIVER,5HZ,SC	SEE PAGE 5-49
1	WR55582	2	U-BOLT,DRAWBAR	
2	WR550612	4	NUT 0.25-20NC HEX ZN REG	
3	WR550507	4	WASHER FL 0.25 ZN REG TYPE-B	
4	WR550493	4	WASHER LK 0.25 ZN REG	
5	WR37874	1	VALVE ASSY-KZ,5 SECTION,	SEE PAGE 5-52
5	WR37871	1	VALVE ASSY-BOOM SHUT OFF	SEE PAGE 5-51
6	6648348	1	PLUG-HOLE	
7	WR562496	2	TIE CABLE 15.0 .18-4.00 BLACK	
8	WR010359	4	CLAMP LOOM 1.25 PER DWG	
9	WR27174	1	CLAMP-SUPPORT,CUSHION,	
10	WR29666	2	NUT-HEX,NO. 8-32 UNC	
11	WR37878	2	WASHER-LOCK SPRING #8	
12	WR55178	2	WASHER-FLAT STD,#8	
13	WR29658	2	SCREW-MACH RND 8NCX 1 1/2	
14	6610510	9	TIE-NYLON R/B 553557	
15	6627047	1	SHIELD-CABLE	
16	WR55036	2	SCREW-CAP HEX M8 X 25	
17	WR55157	1	WASHER-FLAT,8MM ID,	
18	WR55298	2	CLAMP-HOSE,4 1/2 SST	
19	WR38166	1	WIRE ASSY-PWR/CAN COMM,	
20	WR38167	1	SWITCH INTERFACE-SPRYLINK	
21	WR38168	1	CABLE-CAN COMM,SPRAYLINK	
22	WR38169	1	WIRE ASSY-TERMINAL INTFC	
23	WR38170	1	WIRE ASM-PNR/BOOM SW, F/STAR	
24	WR41689	1	MANUAL-SPRAYLINK OPERATOR	
25	WR601888	4	NUT 0.31-18NC HEX ZN REG NY	
26	WR562676	4	BOLT 0.31-18 X 1.00 G5 ZN CAR	
27	WR11074	1	WASHER-NON ASBESTOS	
28	WR55104	4	WASHER-LOCK SPRING,6MM ID	
29	WR562639	4	BOLT M6 1.00X12MM G8.8 ZN HHD	
30	WR37817	1	PLATE-MOUNT,SPRAYLINK	
31	WR37814	1	SUPPORT WLDMT-ADJUST	
32	WR11505	4	NUT-SER FLG, 5/16-18 UNC	
33	WR550183	4	BOLT 0.31-18NCX 0.75 G5 ZN HHD	
34	WR37813	1	SUPPORT-ADJUST	
35	WR38165	1	CONTROLLER-SPRAYLINK	
36	WR37586	1	TERMINAL-FIELDSTAR,W/AGCO	
37	WR37287	1	MOUNT WLDMT-SPEED SENSOR	
38	WR37265	1	PANEL-DASH,FIELDSTAR,SC	
39	WR37816	1	KNOB-CLAMPING, 1/2-13 UNC	
40	WR37877	1	GROMMET-RUBBER,FITS 1.88	
41	WR27621	4	SCREW-MACH BTN SOCHD	
42	6662701	4	STRAP RETAINER	
43	WR29675	-	TAPE-DBL MTG 2 IN W X 1/8 IN TH [BULK: 0.33 FT]	
44	WR37840	1	CABLE-BOOM CONTROL KZ TO	
45	WR37841	1	VALVE-ELECTRIC BALL,	
46	WR37844	1	FLOWMETER-1 IN RAPID CHECK	
47	WR38175	1	SENSOR-SPEED, PROXIMITY	
48	WR38174	1	SENSOR-FLOWMETER W/CABLE	
49	WR38173	1	ADAPTER KIT-FLOWMETER,-20	
50	WR38172	1	CABLE-PRESSURE TRANSDUCER	
51	WR38171	1	TRANSDUCER-PRESSURE,0-10	
52	6511249	4	ADHESIVE-CLAMP,WIRE	
54	6803920	1	BAR-REAR	
55	WR37843	2	STANDOFF-ANTENNA MOUNT,	
56	WR601411	4	NUT 0.37-16NC HEX ZN REG LK NY	
57	WR551503	4	BOLT 0.37-16NCX 0.75 G5 ZN HHD	
58	WR37842	1	MOUNT-GPS ANTENNA	
59	WR520260	1	LOCK-METRIPACK,280/2 WIRE	
60	6641176	2	SEAL-CABLE,#12048086	
61	WR41694	2	CONTACT-FEMALE 150SER. MP	
62	WR41693	1	CONNECTOR-2WAY F MP	
63	WR55277	4	SCREW-MACH FLAT SLT HD,#8	
64	WR41663	1	RECEIVER-GPS, SLX300 5HZ FOR FIELDSTAR SOFTWARE USE 71395027	

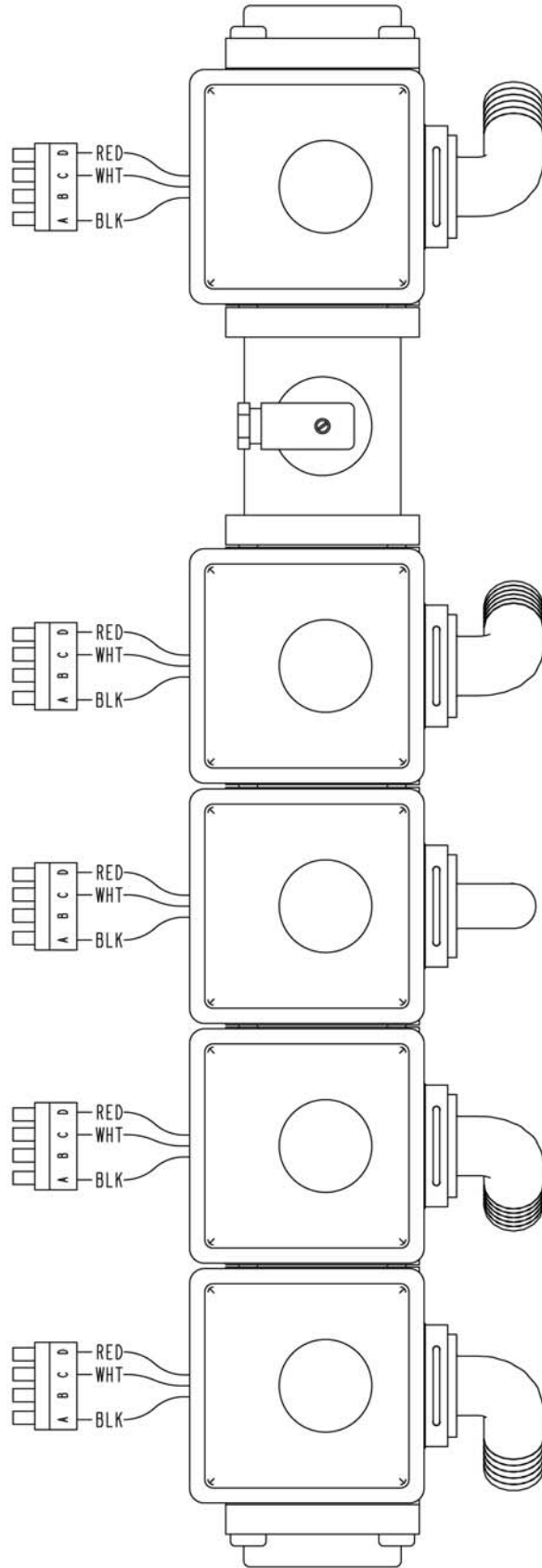
WR37871 - VALVE ASSY-BOOM SHUT OFF



WR37871 - VALVE ASSY-BOOM SHUT OFF

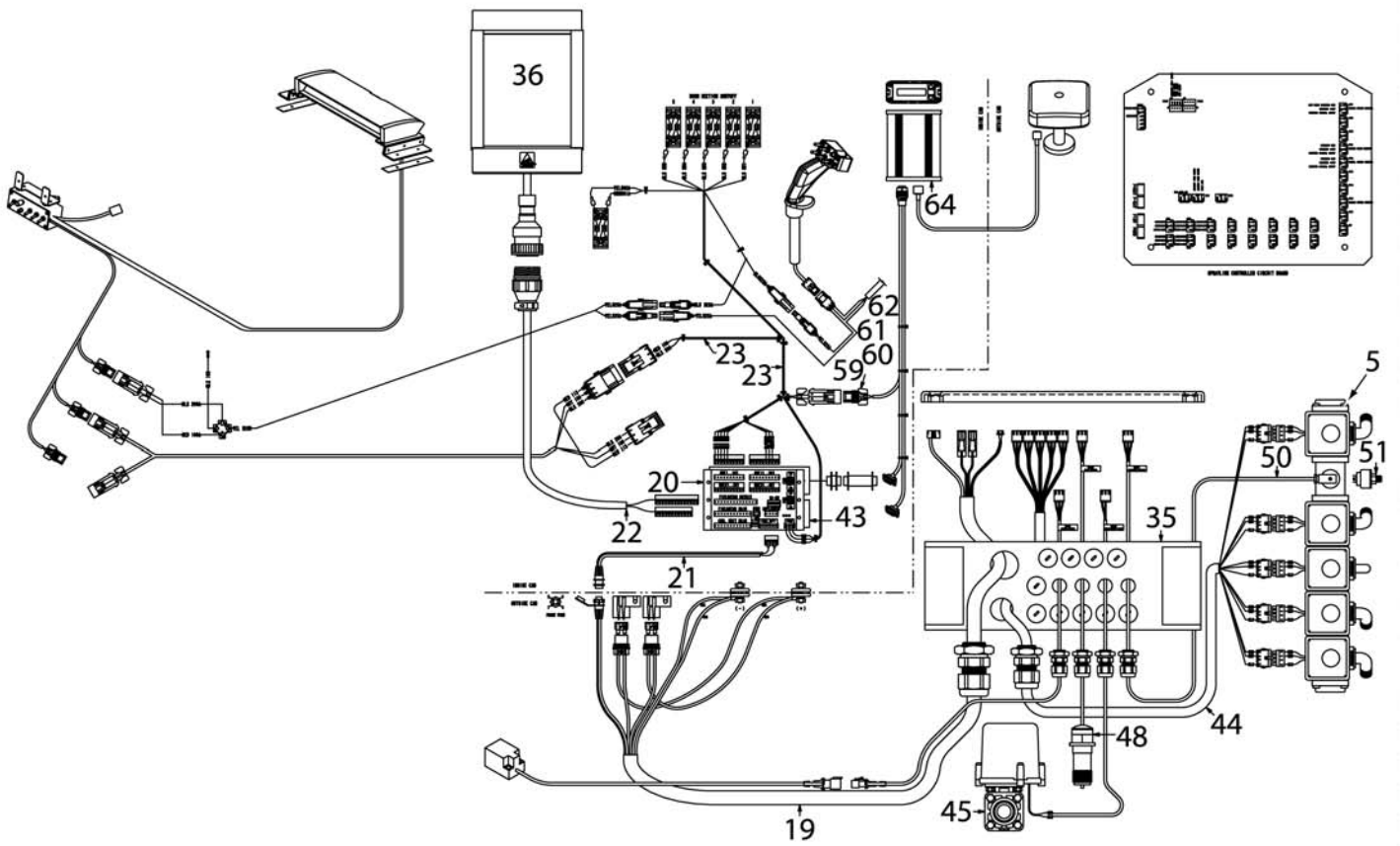
ITEM	PART #	QTY	DESCRIPTION	COMMENTS
0	WR37872	1	VALVE ASSY-KZ,3 SECTION,	
0	WR38755	1	ELBOW-90,-04MP/-06HB,PP	
0	WR009979	1	GASKET VITON	
0	WR056290	1	CONNECTOR 2.00FLGX1.25HOSE 90D	
0	WR056785	1	CLAMP 2.00 FLANGE	
0	WR34501	3	ELBOW-90,-12HB	

WR37874 - VALVE ASSY-KZ,5 SECTION,



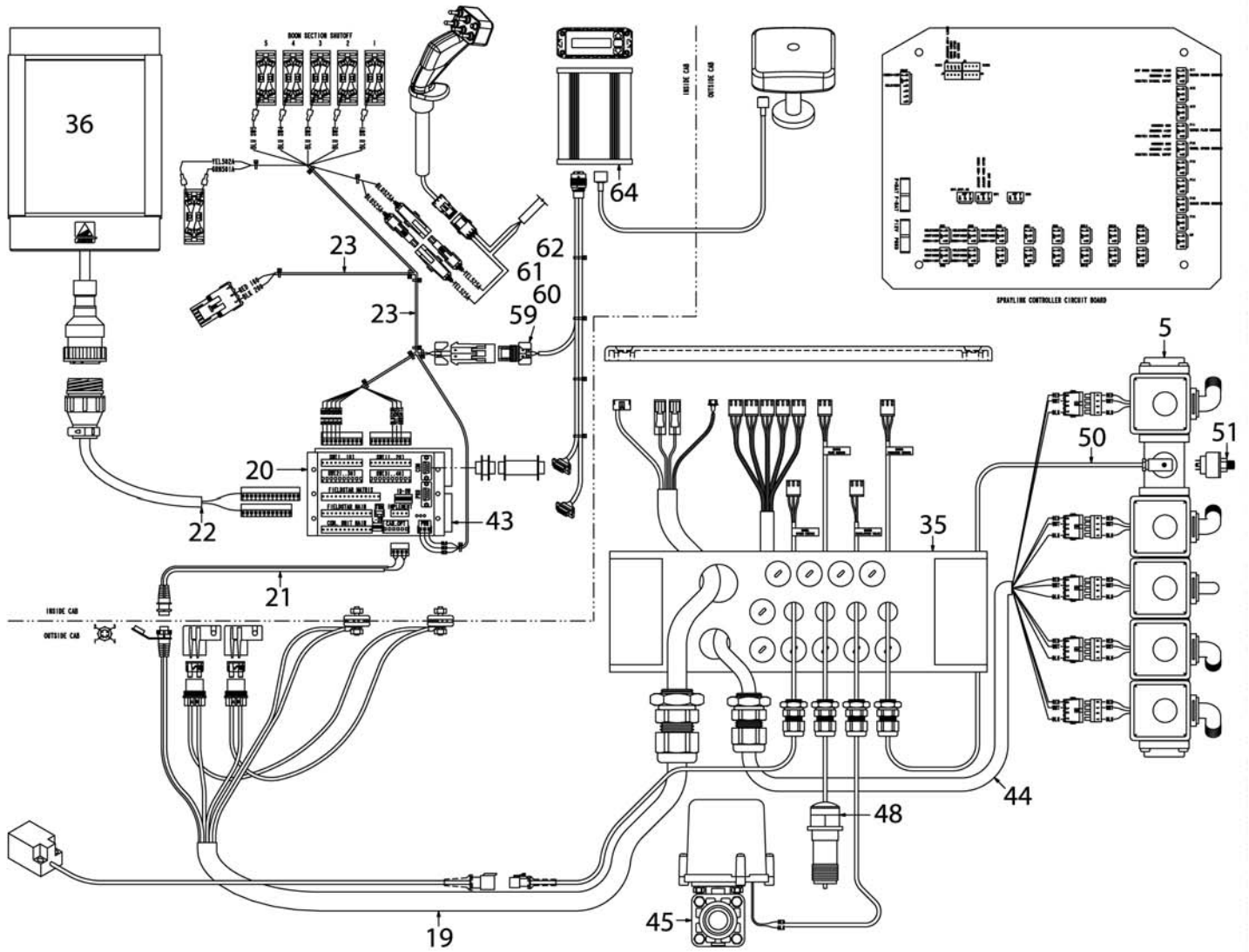
WR37874 - VALVE ASSY-KZ,5 SECTION,

ITEM	PART #	QTY	DESCRIPTION	COMMENTS
0	WR36851	1	VALVE SECTION ASSY-QC3	
0	WR36853	2	CAP-BLANK,POLYQC3 VALVE	
0	WR35018	1	CONTROL-POWERHEAD,QC3,60B	
0	WR35019	1	VALVE BODY-QC3	
0	WR35020	2	ORING-SEAL,VALVE,QC3	
0	WR35021	2	ORING-SEAL,ADAPTER,QC3	
0	WR35022	1	INSERT-SEAT,QC3	
0	WR35023	1	BALL-SS,QC3	
0	WR35024	1	SEAL KIT-VALVE,1 SECTION,	



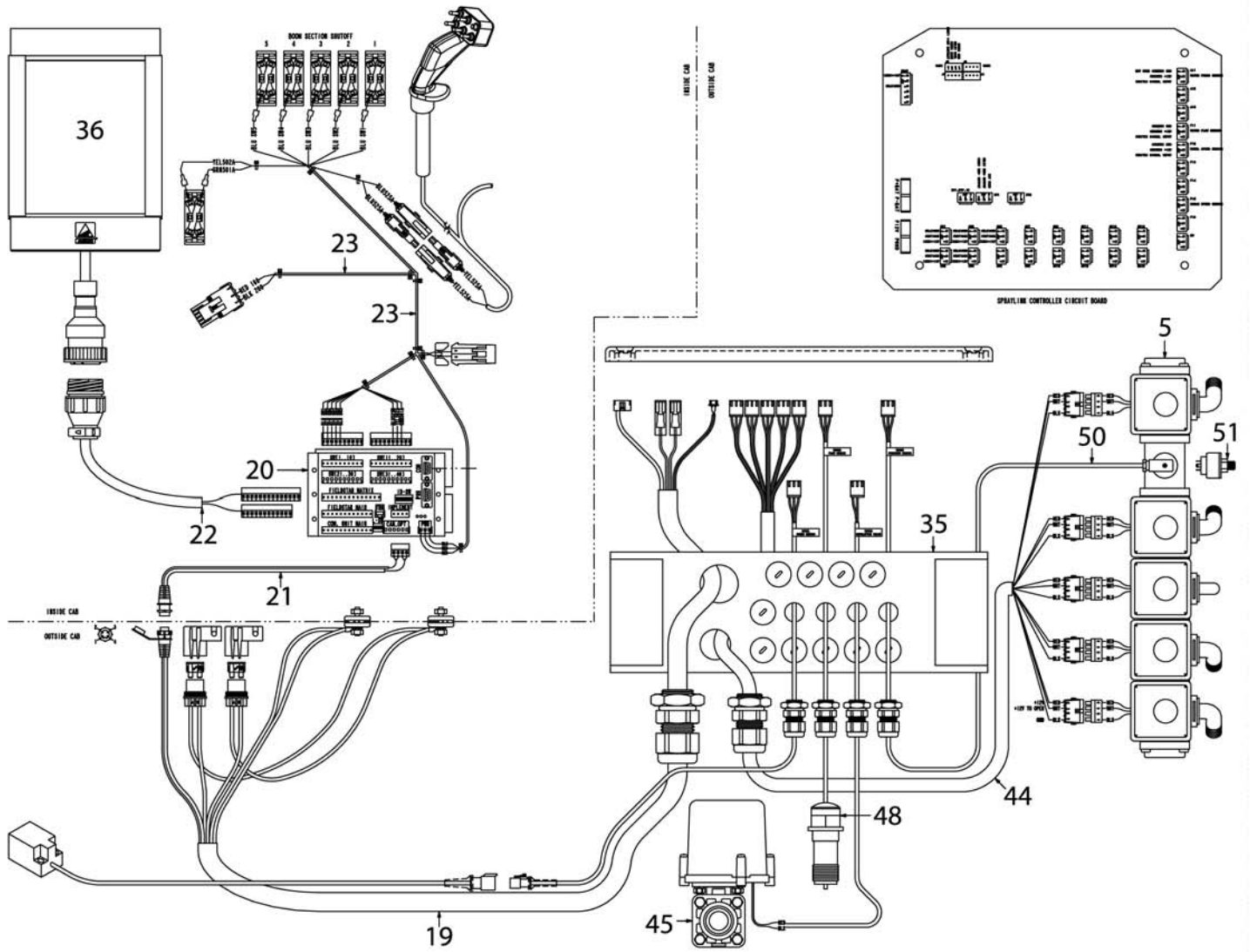
WR01810 - OPT-LIGHTBAR,SPRA-COUCPE

ITEM	PART #	QTY	DESCRIPTION	COMMENTS
0	WR01809	-	OPT-GPS RECEIVER,5HZ,SC	SEE PAGE 5-49
0	6670716	1	GROMMET	
0	WR37879	-	INSTL-FIELDSTAR, CTRLT, S/C	SEE PAGE 5-50
1	WR55582	2	U-BOLT,DRAWBAR	
2	WR550612	4	NUT 0.25-20NC HEX ZN REG	
3	WR550507	4	WASHER FL 0.25 ZN REG TYPE-B	
4	WR550493	4	WASHER LK 0.25 ZN REG	
5	WR37874	1	VALVE ASSY-KZ,5 SECTION,	SEE PAGE 5-52
5	WR37871	1	VALVE ASSY-BOOM SHUT OFF	SEE PAGE 5-51
6	6648348	1	PLUG-HOLE	
7	WR562496	2	TIE CABLE 15.0 .18-4.00 BLACK	
8	WR010359	4	CLAMP LOOM 1.25 PER DWG	
9	WR27174	1	CLAMP-SUPPORT,CUSHION,	
10	WR29666	2	NUT-HEX,NO. 8-32 UNC	
11	WR37878	2	WASHER-LOCK SPRING #8	
12	WR55178	2	WASHER-FLAT STD,#8	
13	WR29658	2	SCREW-MACH RND 8NCX 1 1/2	
14	WR553557	9	TIE CABLE 7.37 .06-1.37 BLACK	
15	6627047	1	SHIELD-CABLE	
16	WR55036	2	SCREW-CAP HEX M8 X 25	
17	WR55157	1	WASHER-FLAT,8MM ID,	
18	WR55298	2	CLAMP-HOSE,4 1/2 SST	
19	WR38166	1	WIRE ASSY-PWR/CAN COMM,	
20	WR38167	1	SWITCH INTERFACE-SPRYLINK	
21	WR38168	1	CABLE-CAN COMM,SPRAYLINK	
22	WR38169	1	WIRE ASSY-TERMINAL INTFC	
23	WR38170	1	WIRE ASM-PNR/BOOM SW, F/STAR	
24	WR41689	1	MANUAL-SPRAYLINK OPERATOR	
25	WR601888	4	NUT 0.31-18NC HEX ZN REG NY	
26	WR562676	4	BOLT 0.31-18 X 1.00 G5 ZN CAR	
27	WR11074	1	WASHER-NON ASBESTOS	
28	WR55104	4	WASHER-LOCK SPRING,6MM ID	
29	WR562639	4	BOLT M6 1.00X12MM G8.8 ZN HHD	
30	WR37817	1	PLATE-MOUNT,SPRAYLINK	
31	WR37814	1	SUPPORT WLDMT-ADJUST	
32	WR11505	4	NUT-SER FLG, 5/16-18 UNC	
33	WR550183	4	BOLT 0.31-18NCX 0.75 G5 ZN HHD	
34	WR37813	1	SUPPORT-ADJUST	
35	WR38165	1	CONTROLLER-SPRAYLINK	
36	WR37586	1	TERMINAL-FIELDSTAR,W/AGCO	
37	WR37287	1	MOUNT WLDMT-SPEED SENSOR	
38	WR37265	1	PANEL-DASH,FIELDSTAR,SC	
39	WR37816	1	KNOB-CLAMPING, 1/2-13 UNC	
40	WR37877	1	GROMMET-RUBBER,FITS 1.88	
41	WR27621	4	SCREW-MACH BTN SOCHD	
42	6662701	4	STRAP RETAINER	
43	WR29675	-	TAPE-DBL MTG 2 IN W X 1/8 IN TH [BULK: 0.33 FT]	
44	WR37840	1	CABLE-BOOM CONTROL KZ TO	
45	WR37841	1	VALVE-ELECTRIC BALL,	
46	WR37844	1	FLOWMETER-1 IN RAPID CHECK	
47	WR38175	1	SENSOR-SPEED, PROXIMITY	
48	WR38174	1	SENSOR-FLOWMETER W/CABLE	
49	WR38173	1	ADAPTER KIT-FLOWMETER,-20	
50	WR38172	1	CABLE-PRESSURE TRANSDUCER	
51	WR38171	1	TRANSDUCER-PRESSURE,0-10	
52	6511249	4	ADHESIVE-CLAMP,WIRE	
54	6803920	1	BAR-REAR	
55	WR37843	2	STANDOFF-ANTENNA MOUNT,	
56	WR601411	4	NUT 0.37-16NC HEX ZN REG LK NY	
57	WR551503	4	BOLT 0.37-16NCX 0.75 G5 ZN HHD	
58	WR37842	1	MOUNT-GPS ANTENNA	
59	WR520260	1	LOCK-METRIPACK,280/2 WIRE	
60	6641176	2	SEAL-CABLE,#12048086	
61	WR41694	2	CONTACT-FEMALE 150SER. MP	
62	WR41693	1	CONNECTOR-2WAY F MP	
63	WR55277	4	SCREW-MACH FLAT SLT HD,#8	
64	WR41663	1	RECEIVER-GPS, SLX300 5HZ	



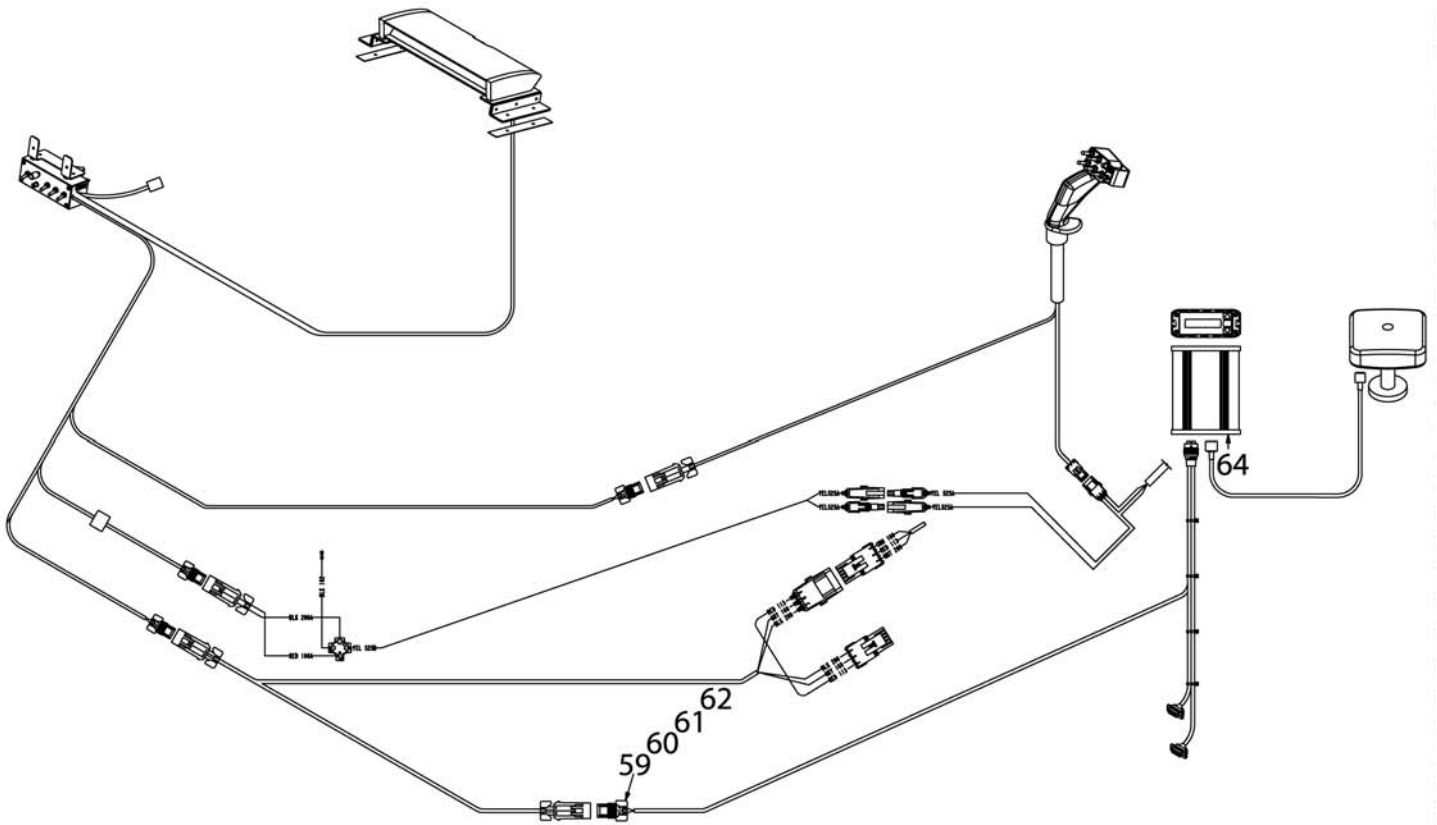
WR01810 - OPT-LIGHTBAR,SPRA-COUCPE

ITEM	PART #	QTY	DESCRIPTION	COMMENTS
0	WR01809	-	OPT-GPS RECEIVER,5HZ,SC	SEE PAGE 5-49
0	6670716	1	GROMMET	
0	WR37879	-	INSTL-FIELDSTAR, CTRLT, S/C	SEE PAGE 5-50
1	WR55582	2	U-BOLT,DRAWBAR	
2	WR550612	4	NUT 0.25-20NC HEX ZN REG	
3	WR550507	4	WASHER FL 0.25 ZN REG TYPE-B	
4	WR550493	4	WASHER LK 0.25 ZN REG	
5	WR37874	1	VALVE ASSY-KZ,5 SECTION,	SEE PAGE 5-52
5	WR37871	1	VALVE ASSY-BOOM SHUT OFF	SEE PAGE 5-51
6	6648348	1	PLUG-HOLE	
7	WR562496	2	TIE CABLE 15.0 .18-4.00 BLACK	
8	WR010359	4	CLAMP LOOM 1.25 PER DWG	
9	WR27174	1	CLAMP-SUPPORT,CUSHION,	
10	WR29666	2	NUT-HEX,NO. 8-32 UNC	
11	WR37878	2	WASHER-LOCK SPRING #8	
12	WR55178	2	WASHER-FLAT STD,#8	
13	WR29658	2	SCREW-MACH RND 8NCX 1 1/2	
14	WR553557	9	TIE CABLE 7.37 .06-1.37 BLACK	
15	6627047	1	SHIELD-CABLE	
16	WR55036	2	SCREW-CAP HEX M8 X 25	
17	WR55157	1	WASHER-FLAT,8MM ID,	
18	WR55298	2	CLAMP-HOSE,4 1/2 SST	
19	WR38166	1	WIRE ASSY-PWR/CAN COMM,	
20	WR38167	1	SWITCH INTERFACE-SPRYLINK	
21	WR38168	1	CABLE-CAN COMM,SPRAYLINK	
22	WR38169	1	WIRE ASSY-TERMINAL INTFC	
23	WR38170	1	WIRE ASM-PNR/BOOM SW, F/STAR	
24	WR41689	1	MANUAL-SPRAYLINK OPERATOR	
25	WR601888	4	NUT 0.31-18NC HEX ZN REG NY	
26	WR562676	4	BOLT 0.31-18 X 1.00 G5 ZN CAR	
27	WR11074	1	WASHER-NON ASBESTOS	
28	WR55104	4	WASHER-LOCK SPRING,6MM ID	
29	WR562639	4	BOLT M6 1.00X12MM G8.8 ZN HHD	
30	WR37817	1	PLATE-MOUNT,SPRAYLINK	
31	WR37814	1	SUPPORT WLDMT-ADJUST	
32	WR11505	4	NUT-SER FLG, 5/16-18 UNC	
33	WR550183	4	BOLT 0.31-18NCX 0.75 G5 ZN HHD	
34	WR37813	1	SUPPORT-ADJUST	
35	WR38165	1	CONTROLLER-SPRAYLINK	
36	WR37586	1	TERMINAL-FIELDSTAR,W/AGCO	
37	WR37287	1	MOUNT WLDMT-SPEED SENSOR	
38	WR37265	1	PANEL-DASH,FIELDSTAR,SC	
39	WR37816	1	KNOB-CLAMPING, 1/2-13 UNC	
40	WR37877	1	GROMMET-RUBBER,FITS 1.88	
41	WR27621	4	SCREW-MACH BTN SOCHD	
42	6662701	4	STRAP RETAINER	
43	WR29675	-	TAPE-DBL MTG 2 IN W X 1/8 IN TH [BULK: 0.33 FT]	
44	WR37840	1	CABLE-BOOM CONTROL KZ TO	
45	WR37841	1	VALVE-ELECTRIC BALL,	
46	WR37844	1	FLOWMETER-1 IN RAPID CHECK	
47	WR38175	1	SENSOR-SPEED, PROXIMITY	
48	WR38174	1	SENSOR-FLOWMETER W/CABLE	
49	WR38173	1	ADAPTER KIT-FLOWMETER,-20	
50	WR38172	1	CABLE-PRESSURE TRANSDUCER	
51	WR38171	1	TRANSDUCER-PRESSURE,0-10	
52	6511249	4	ADHESIVE-CLAMP,WIRE	
54	6803920	1	BAR-REAR	
55	WR37843	2	STANDOFF-ANTENNA MOUNT,	
56	WR601411	4	NUT 0.37-16NC HEX ZN REG LK NY	
57	WR551503	4	BOLT 0.37-16NCX 0.75 G5 ZN HHD	
58	WR37842	1	MOUNT-GPS ANTENNA	
59	WR520260	1	LOCK-METRIPACK,280/2 WIRE	
60	6641176	2	SEAL-CABLE,#12048086	
61	WR41694	2	CONTACT-FEMALE 150SER. MP	
62	WR41693	1	CONNECTOR-2WAY F MP	
63	WR55277	4	SCREW-MACH FLAT SLT HD,#8	
64	WR41663	1	RECEIVER-GPS, SLX300 5HZ	



WR01810 - OPT-LIGHTBAR,SPRA-COUCPE

ITEM	PART #	QTY	DESCRIPTION	COMMENTS
0	WR01809	-	OPT-GPS RECEIVER,5HZ,SC	SEE PAGE 5-49
0	6670716	1	GROMMET	
0	WR37879	-	INSTL-FIELDSTAR, CTRLT, S/C	SEE PAGE 5-50
1	WR55582	2	U-BOLT,DRAWBAR	
2	WR550612	4	NUT 0.25-20NC HEX ZN REG	
3	WR550507	4	WASHER FL 0.25 ZN REG TYPE-B	
4	WR550493	4	WASHER LK 0.25 ZN REG	
5	WR37874	1	VALVE ASSY-KZ,5 SECTION,	SEE PAGE 5-52
5	WR37871	1	VALVE ASSY-BOOM SHUT OFF	SEE PAGE 5-51
6	6648348	1	PLUG-HOLE	
7	WR562496	2	TIE CABLE 15.0 .18-4.00 BLACK	
8	WR010359	4	CLAMP LOOM 1.25 PER DWG	
9	WR27174	1	CLAMP-SUPPORT,CUSHION,	
10	WR29666	2	NUT-HEX,NO. 8-32 UNC	
11	WR37878	2	WASHER-LOCK SPRING #8	
12	WR55178	2	WASHER-FLAT STD,#8	
13	WR29658	2	SCREW-MACH RND 8NCX 1 1/2	
14	WR553557	9	TIE CABLE 7.37 .06-1.37 BLACK	
15	6627047	1	SHIELD-CABLE	
16	WR55036	2	SCREW-CAP HEX M8 X 25	
17	WR55157	1	WASHER-FLAT,8MM ID,	
18	WR55298	2	CLAMP-HOSE,4 1/2 SST	
19	WR38166	1	WIRE ASSY-PWR/CAN COMM,	
20	WR38167	1	SWITCH INTERFACE-SPRYLINK	
21	WR38168	1	CABLE-CAN COMM,SPRAYLINK	
22	WR38169	1	WIRE ASSY-TERMINAL INTFC	
23	WR38170	1	WIRE ASM-PNR/BOOM SW, F/STAR	
24	WR41689	1	MANUAL-SPRAYLINK OPERATOR	
25	WR601888	4	NUT 0.31-18NC HEX ZN REG NY	
26	WR562676	4	BOLT 0.31-18 X 1.00 G5 ZN CAR	
27	WR11074	1	WASHER-NON ASBESTOS	
28	WR55104	4	WASHER-LOCK SPRING,6MM ID	
29	WR562639	4	BOLT M6 1.00X12MM G8.8 ZN HHD	
30	WR37817	1	PLATE-MOUNT,SPRAYLINK	
31	WR37814	1	SUPPORT WLDMT-ADJUST	
32	WR11505	4	NUT-SER FLG, 5/16-18 UNC	
33	WR550183	4	BOLT 0.31-18NCX 0.75 G5 ZN HHD	
34	WR37813	1	SUPPORT-ADJUST	
35	WR38165	1	CONTROLLER-SPRAYLINK	
36	WR37586	1	TERMINAL-FIELDSTAR,W/AGCO	
37	WR37287	1	MOUNT WLDMT-SPEED SENSOR	
38	WR37265	1	PANEL-DASH,FIELDSTAR,SC	
39	WR37816	1	KNOB-CLAMPING, 1/2-13 UNC	
40	WR37877	1	GROMMET-RUBBER,FITS 1.88	
41	WR27621	4	SCREW-MACH BTN SOCHD	
42	6662701	4	STRAP RETAINER	
43	WR29675	-	TAPE-DBL MTG 2 IN W X 1/8 IN TH [BULK: 0.33 FT]	
44	WR37840	1	CABLE-BOOM CONTROL KZ TO	
45	WR37841	1	VALVE-ELECTRIC BALL,	
46	WR37844	1	FLOWMETER-1 IN RAPID CHECK	
47	WR38175	1	SENSOR-SPEED, PROXIMITY	
48	WR38174	1	SENSOR-FLOWMETER W/CABLE	
49	WR38173	1	ADAPTER KIT-FLOWMETER,-20	
50	WR38172	1	CABLE-PRESSURE TRANSDUCER	
51	WR38171	1	TRANSDUCER-PRESSURE,0-10	
52	6511249	4	ADHESIVE-CLAMP,WIRE	
54	6803920	1	BAR-REAR	
55	WR37843	2	STANDOFF-ANTENNA MOUNT,	
56	WR601411	4	NUT 0.37-16NC HEX ZN REG LK NY	
57	WR551503	4	BOLT 0.37-16NCX 0.75 G5 ZN HHD	
58	WR37842	1	MOUNT-GPS ANTENNA	
59	WR520260	1	LOCK-METRIPACK,280/2 WIRE	
60	6641176	2	SEAL-CABLE,#12048086	
61	WR41694	2	CONTACT-FEMALE 150SER. MP	
62	WR41693	1	CONNECTOR-2WAY F MP	
63	WR55277	4	SCREW-MACH FLAT SLT HD,#8	
64	WR41663	1	RECEIVER-GPS, SLX300 5HZ	



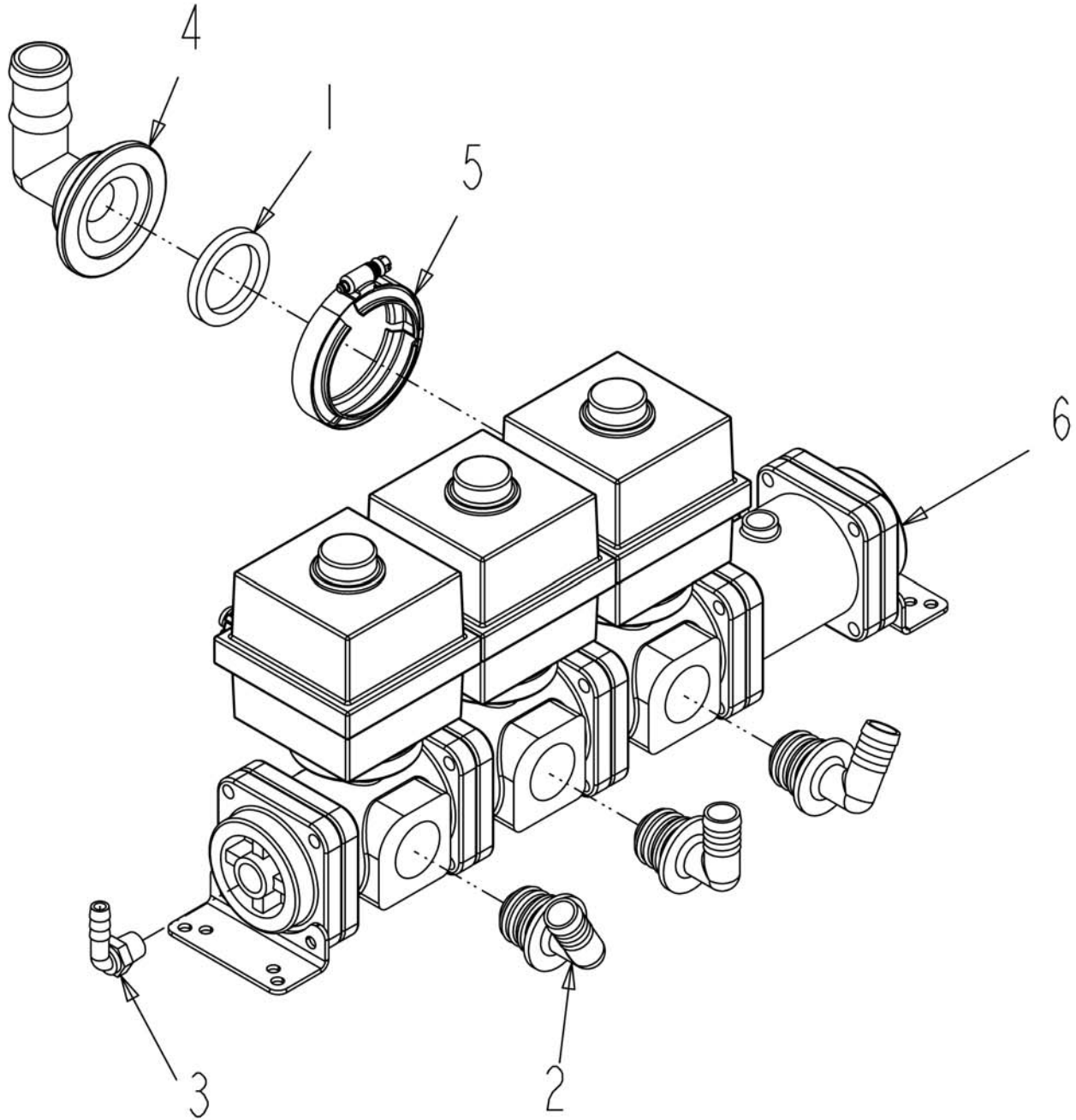
WR01810 - OPT-LIGHTBAR,SPRA-COUCPE

ITEM	PART #	QTY	DESCRIPTION	COMMENTS
0	WR01809	-	OPT-GPS RECEIVER,5HZ,SC	SEE PAGE 5-49
0	6670716	1	GROMMET	
0	WR37879	-	INSTL-FIELDSTAR, CTRLT, S/C	SEE PAGE 5-50
1	WR55582	2	U-BOLT,DRAWBAR	
2	WR550612	4	NUT 0.25-20NC HEX ZN REG	
3	WR550507	4	WASHER FL 0.25 ZN REG TYPE-B	
4	WR550493	4	WASHER LK 0.25 ZN REG	
5	WR37874	1	VALVE ASSY-KZ,5 SECTION,	SEE PAGE 5-52
5	WR37871	1	VALVE ASSY-BOOM SHUT OFF	SEE PAGE 5-51
6	6648348	1	PLUG-HOLE	
7	WR562496	2	TIE CABLE 15.0 .18-4.00 BLACK	
8	WR010359	4	CLAMP LOOM 1.25 PER DWG	
9	WR27174	1	CLAMP-SUPPORT,CUSHION,	
10	WR29666	2	NUT-HEX,NO. 8-32 UNC	
11	WR37878	2	WASHER-LOCK SPRING #8	
12	WR55178	2	WASHER-FLAT STD,#8	
13	WR29658	2	SCREW-MACH RND 8NCX 1 1/2	
14	WR553557	9	TIE CABLE 7.37 .06-1.37 BLACK	
15	6627047	1	SHIELD-CABLE	
16	WR55036	2	SCREW-CAP HEX M8 X 25	
17	WR55157	1	WASHER-FLAT,8MM ID,	
18	WR55298	2	CLAMP-HOSE,4 1/2 SST	
19	WR38166	1	WIRE ASSY-PWR/CAN COMM,	
20	WR38167	1	SWITCH INTERFACE-SPRYLINK	
21	WR38168	1	CABLE-CAN COMM,SPRAYLINK	
22	WR38169	1	WIRE ASSY-TERMINAL INTFC	
23	WR38170	1	WIRE ASM-PNR/BOOM SW, F/STAR	
24	WR41689	1	MANUAL-SPRAYLINK OPERATOR	
25	WR601888	4	NUT 0.31-18NC HEX ZN REG NY	
26	WR562676	4	BOLT 0.31-18 X 1.00 G5 ZN CAR	
27	WR11074	1	WASHER-NON ASBESTOS	
28	WR55104	4	WASHER-LOCK SPRING,6MM ID	
29	WR562639	4	BOLT M6 1.00X12MM G8.8 ZN HHD	
30	WR37817	1	PLATE-MOUNT,SPRAYLINK	
31	WR37814	1	SUPPORT WLDMT-ADJUST	
32	WR11505	4	NUT-SER FLG, 5/16-18 UNC	
33	WR550183	4	BOLT 0.31-18NCX 0.75 G5 ZN HHD	
34	WR37813	1	SUPPORT-ADJUST	
35	WR38165	1	CONTROLLER-SPRAYLINK	
36	WR37586	1	TERMINAL-FIELDSTAR,W/AGCO	
37	WR37287	1	MOUNT WLDMT-SPEED SENSOR	
38	WR37265	1	PANEL-DASH,FIELDSTAR,SC	
39	WR37816	1	KNOB-CLAMPING, 1/2-13 UNC	
40	WR37877	1	GROMMET-RUBBER,FITS 1.88	
41	WR27621	4	SCREW-MACH BTN SOCHD	
42	6662701	4	STRAP RETAINER	
43	WR29675	-	TAPE-DBL MTG 2 IN W X 1/8 IN TH [BULK: 0.33 FT]	
44	WR37840	1	CABLE-BOOM CONTROL KZ TO	
45	WR37841	1	VALVE-ELECTRIC BALL,	
46	WR37844	1	FLOWMETER-1 IN RAPID CHECK	
47	WR38175	1	SENSOR-SPEED, PROXIMITY	
48	WR38174	1	SENSOR-FLOWMETER W/CABLE	
49	WR38173	1	ADAPTER KIT-FLOWMETER,-20	
50	WR38172	1	CABLE-PRESSURE TRANSDUCER	
51	WR38171	1	TRANSDUCER-PRESSURE,0-10	
52	6511249	4	ADHESIVE-CLAMP,WIRE	
54	6803920	1	BAR-REAR	
55	WR37843	2	STANDOFF-ANTENNA MOUNT,	
56	WR601411	4	NUT 0.37-16NC HEX ZN REG LK NY	
57	WR551503	4	BOLT 0.37-16NCX 0.75 G5 ZN HHD	
58	WR37842	1	MOUNT-GPS ANTENNA	
59	WR520260	1	LOCK-METRIPACK,280/2 WIRE	
60	6641176	2	SEAL-CABLE,#12048086	
61	WR41694	2	CONTACT-FEMALE 150SER. MP	
62	WR41693	1	CONNECTOR-2WAY F MP	
63	WR55277	4	SCREW-MACH FLAT SLT HD,#8	
64	WR41663	1	RECEIVER-GPS, SLX300 5HZ	

WR01810 - OPT-LIGHTBAR,SPRA-COUCPE

ITEM	PART #	QTY	DESCRIPTION	COMMENTS
0	WR01809	-	OPT-GPS RECEIVER,5HZ,SC	SEE PAGE 5-49
0	6670716	1	GROMMET	
0	WR37879	-	INSTL-FIELDSTAR, CTRLT, S/C	SEE PAGE 5-50
1	WR55582	2	U-BOLT,DRAWBAR	
2	WR550612	4	NUT 0.25-20NC HEX ZN REG	
3	WR550507	4	WASHER FL 0.25 ZN REG TYPE-B	
4	WR550493	4	WASHER LK 0.25 ZN REG	
5	WR37874	1	VALVE ASSY-KZ,5 SECTION,	SEE PAGE 5-52
5	WR37871	1	VALVE ASSY-BOOM SHUT OFF	SEE PAGE 5-51
6	6648348	1	PLUG-HOLE	
7	WR562496	2	TIE CABLE 15.0 .18-4.00 BLACK	
8	WR010359	4	CLAMP LOOM 1.25 PER DWG	
9	WR27174	1	CLAMP-SUPPORT,CUSHION,	
10	WR29666	2	NUT-HEX,NO. 8-32 UNC	
11	WR37878	2	WASHER-LOCK SPRING #8	
12	WR55178	2	WASHER-FLAT STD,#8	
13	WR29658	2	SCREW-MACH RND 8NCX 1 1/2	
14	WR553557	9	TIE CABLE 7.37 .06-1.37 BLACK	
15	6627047	1	SHIELD-CABLE	
16	WR55036	2	SCREW-CAP HEX M8 X 25	
17	WR55157	1	WASHER-FLAT,8MM ID,	
18	WR55298	2	CLAMP-HOSE,4 1/2 SST	
19	WR38166	1	WIRE ASSY-PWR/CAN COMM,	
20	WR38167	1	SWITCH INTERFACE-SPRYLINK	
21	WR38168	1	CABLE-CAN COMM,SPRAYLINK	
22	WR38169	1	WIRE ASSY-TERMINAL INTFC	
23	WR38170	1	WIRE ASM-PNR/BOOM SW, F/STAR	
24	WR41689	1	MANUAL-SPRAYLINK OPERATOR	
25	WR601888	4	NUT 0.31-18NC HEX ZN REG NY	
26	WR562676	4	BOLT 0.31-18 X 1.00 G5 ZN CAR	
27	WR11074	1	WASHER-NON ASBESTOS	
28	WR55104	4	WASHER-LOCK SPRING,6MM ID	
29	WR562639	4	BOLT M6 1.00X12MM G8.8 ZN HHD	
30	WR37817	1	PLATE-MOUNT,SPRAYLINK	
31	WR37814	1	SUPPORT WLDMT-ADJUST	
32	WR11505	4	NUT-SER FLG, 5/16-18 UNC	
33	WR550183	4	BOLT 0.31-18NCX 0.75 G5 ZN HHD	
34	WR37813	1	SUPPORT-ADJUST	
35	WR38165	1	CONTROLLER-SPRAYLINK	
36	WR37586	1	TERMINAL-FIELDSTAR,W/AGCO	
37	WR37287	1	MOUNT WLDMT-SPEED SENSOR	
38	WR37265	1	PANEL-DASH,FIELDSTAR,SC	
39	WR37816	1	KNOB-CLAMPING, 1/2-13 UNC	
40	WR37877	1	GROMMET-RUBBER,FITS 1.88	
41	WR27621	4	SCREW-MACH BTN SOCHD	
42	6662701	4	STRAP RETAINER	
43	WR29675	-	TAPE-DBL MTG 2 IN W X 1/8 IN TH [BULK: 0.33 FT]	
44	WR37840	1	CABLE-BOOM CONTROL KZ TO	
45	WR37841	1	VALVE-ELECTRIC BALL,	
46	WR37844	1	FLOWMETER-1 IN RAPID CHECK	
47	WR38175	1	SENSOR-SPEED, PROXIMITY	
48	WR38174	1	SENSOR-FLOWMETER W/CABLE	
49	WR38173	1	ADAPTER KIT-FLOWMETER,-20	
50	WR38172	1	CABLE-PRESSURE TRANSDUCER	
51	WR38171	1	TRANSDUCER-PRESSURE,0-10	
52	6511249	4	ADHESIVE-CLAMP,WIRE	
54	6803920	1	BAR-REAR	
55	WR37843	2	STANDOFF-ANTENNA MOUNT,	
56	WR601411	4	NUT 0.37-16NC HEX ZN REG LK NY	
57	WR551503	4	BOLT 0.37-16NCX 0.75 G5 ZN HHD	
58	WR37842	1	MOUNT-GPS ANTENNA	
59	WR520260	1	LOCK-METRIPACK,280/2 WIRE	
60	6641176	2	SEAL-CABLE,#12048086	
61	WR41694	2	CONTACT-FEMALE 150SER. MP	
62	WR41693	1	CONNECTOR-2WAY F MP	
63	WR55277	4	SCREW-MACH FLAT SLT HD,#8	
64	WR41663	1	RECEIVER-GPS, SLX300 5HZ	

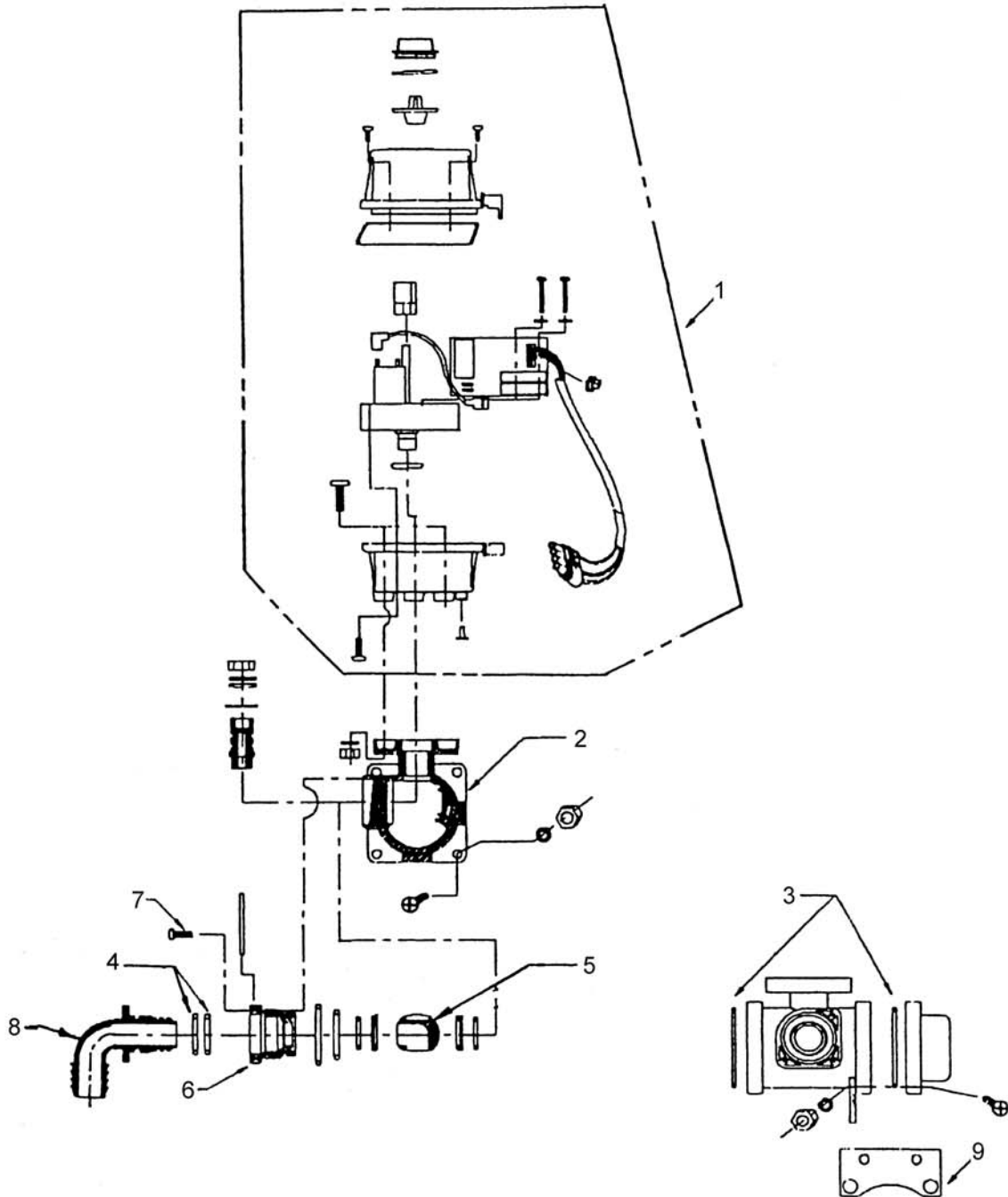
WR55864 - VALVE ASSY-BOOM SHUT OFF,



WR55864 - VALVE ASSY-BOOM SHUT OFF,

ITEM	PART #	QTY	DESCRIPTION	COMMENTS
1	WR009979	1	GASKET VITON	
2	WR34501	3	ELBOW-90,-12HB	
3	WR051137	1	ELBOW 90D 0.38NPTX0.38BARB PP	
4	WR056290	1	CONNECTOR 2.00FLGX1.25HOSE 90D	
5	WR056785	1	CLAMP 2.00 FLANGE	
6	WR55858	1	VALVE ASSY-KZ, 3 SECTION,	SEE PAGE 5-55

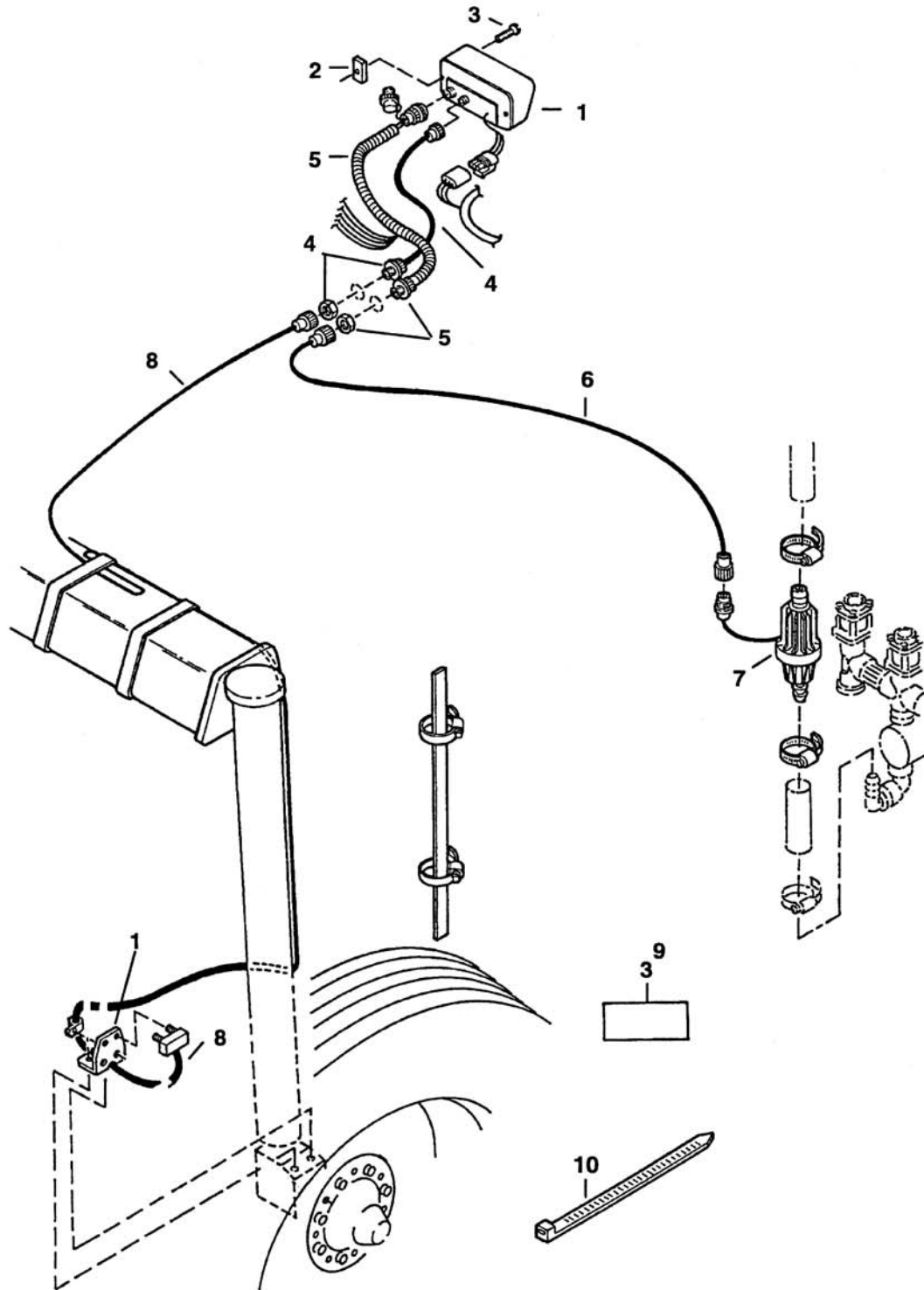
WR55858 - VALVE ASSY-KZ, 3 SECTION,



WR55858 - VALVE ASSY-KZ, 3 SECTION,

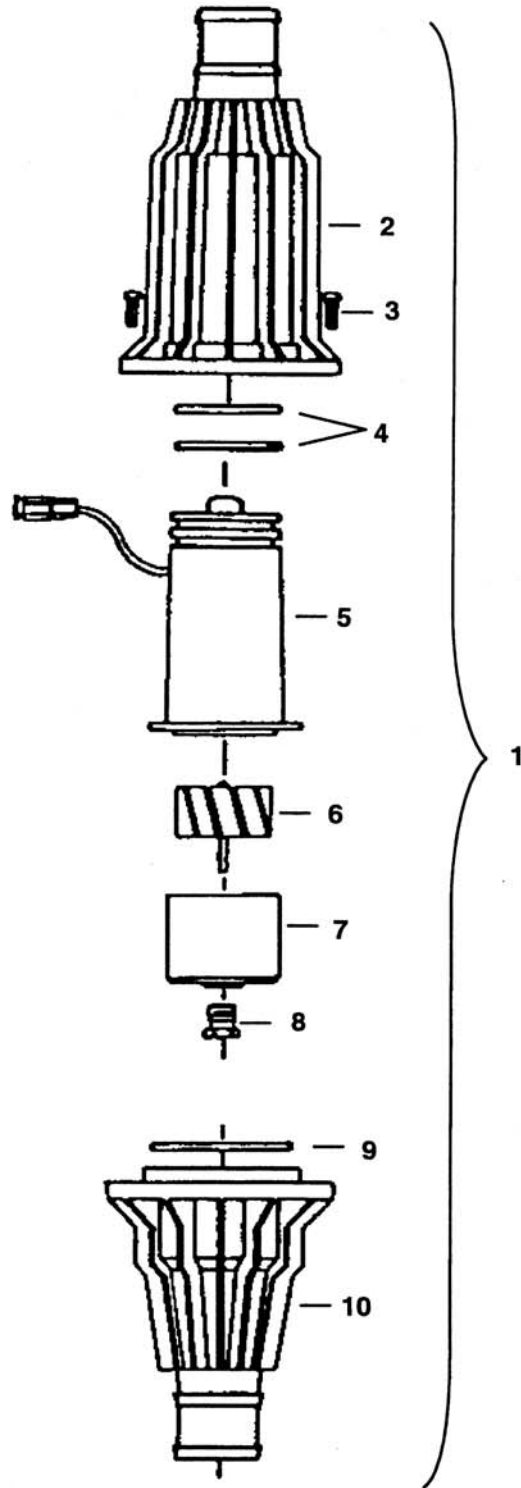
ITEM	PART #	QTY	DESCRIPTION	COMMENTS
0	WR36853	2	CAP-BLANK,POLYQC3 VALVE	
0	WR726175	1	MANIFOLD-SECTION, 1.5 IN	
0	WR56043	1	VALVE W/O POWER HEAD	
0	WR56044	1	VALVE W/POWER HEAD	
0	WR122617	1	SEAT INSERT,OUTLET	
0	WR35024	1	SEAL KIT-VALVE,1 SECTION,	
0	WR122619	1	SEAT INSERT SCREW SS	
1	WR55857	1	CONTROL-POWERHEAD,QC3,50J	
2	WR35019	1	VALVE BODY-QC3	
3	WR35020	2	ORING-SEAL,VALVE,QC3	
4	WR35021	2	ORING-SEAL,ADAPTER,QC3	
5	WR35023	1	BALL-SS,QC3	
6	WR35022	1	INSERT-SEAT,QC3	
7	WR122618	1	HAIR PIN 1/8 SS	
8	WR34501	1	ELBOW-90,-12HB	
8	WR34500	1	ELBOW-90,-16HB	
9	WR122620	2	MOUNTING BRACKET	

WR56032 - CONTROLLER RAVEN PACKAGE



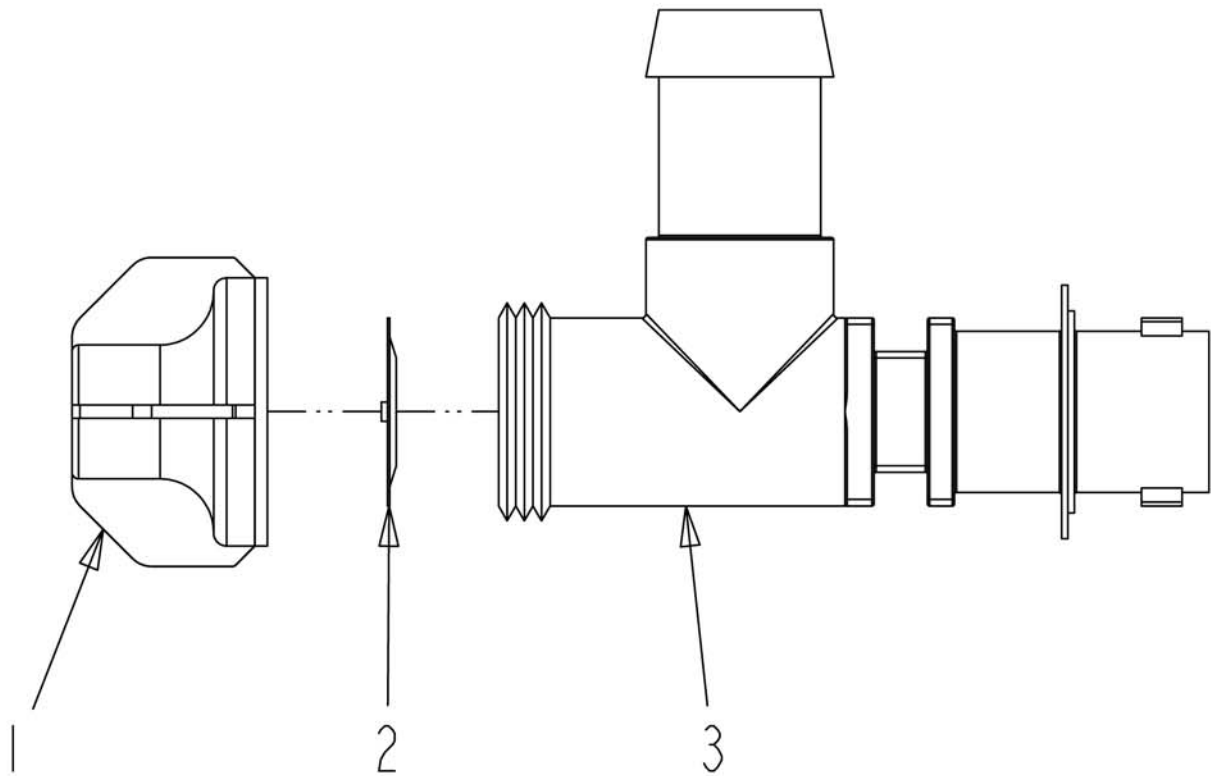
WR56032 - CONTROLLER RAVEN PACKAGE

ITEM	PART #	QTY	DESCRIPTION	COMMENTS
0	WR121947	1	CABLE ADAPTER	
1	WR56031	1	CONTROLLER RAVEN	
2	6662701	4	STRAP RETAINER	
3	6618367	1	HOLDER-TAG	
4	6662295	1	CABLE-SPEED,24 IN	
5	6662294	1	CABLE ASSY	
6	6666305	1	CABLE-FLOW,15'	
7	6665214	1	GAUGE-FLOW	SEE PAGE 5-57
8	6662297	1	SENSOR-SPEED	
9	6618368	1	TAG	
10	6618369	1	TIE-REMOVABLE	



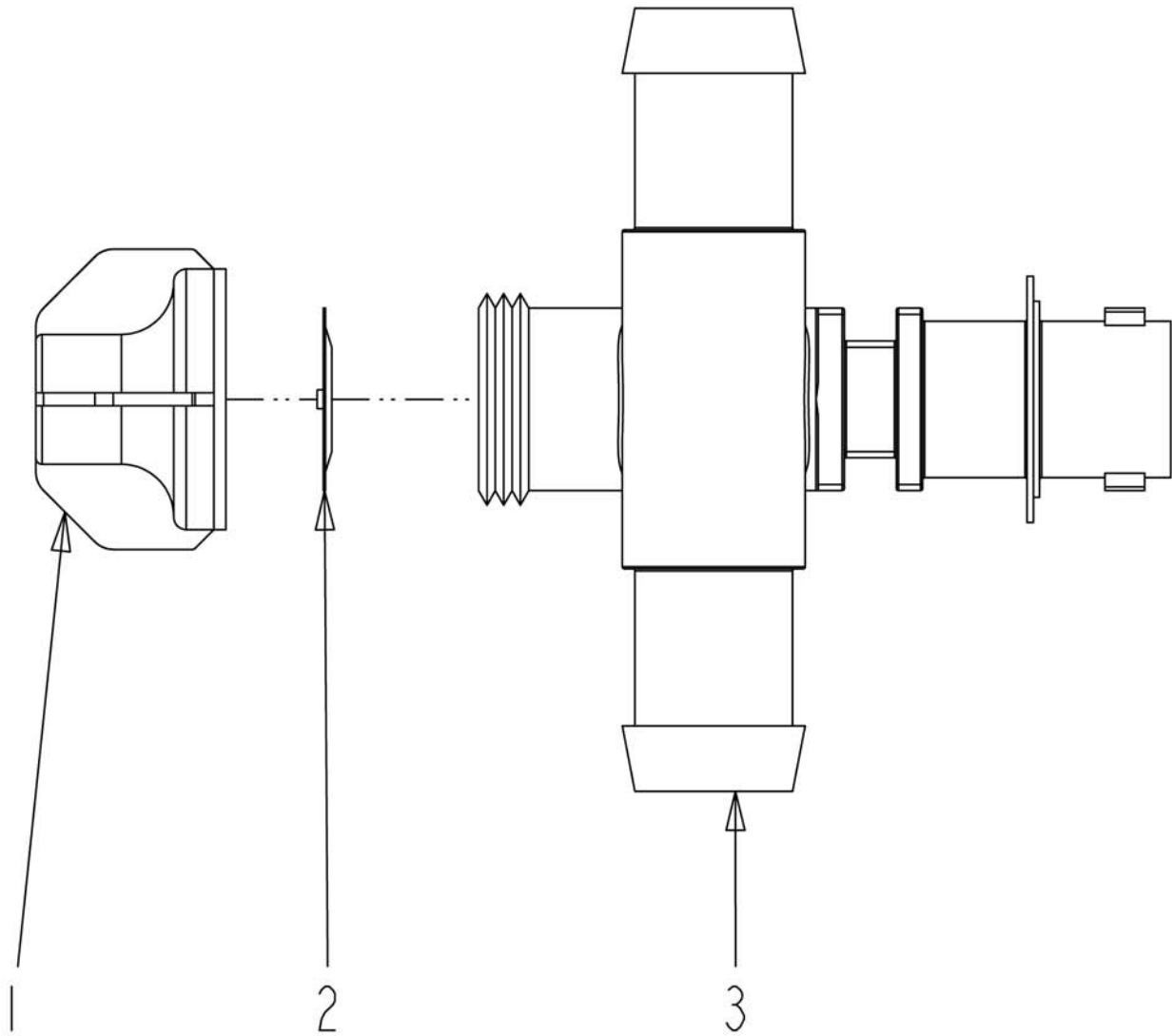
6665214 - GAUGE-FLOW

ITEM	PART #	QTY	DESCRIPTION	COMMENTS
2	6655839	1	HOUSING	
3	6655840	12	SCREW	
4	6666836	2	O-RING	
6	6655843	1	TURBINE	
7	6655844	1	HUB/BEARING ASSEMBLY	
8	6655845	1	STUD	
9	6655846	1	O-RING	
10	6655847	1	HUB	
11	6666837	1	TRANSDUCER KIT	
			ITEM 5 CANNOT BE PURCHASED INDIVIDUALLY BUT IS INCLUDED IN	
			THE TRANSDUCER KIT.	
			ITEM 5: TRANSDUCER	



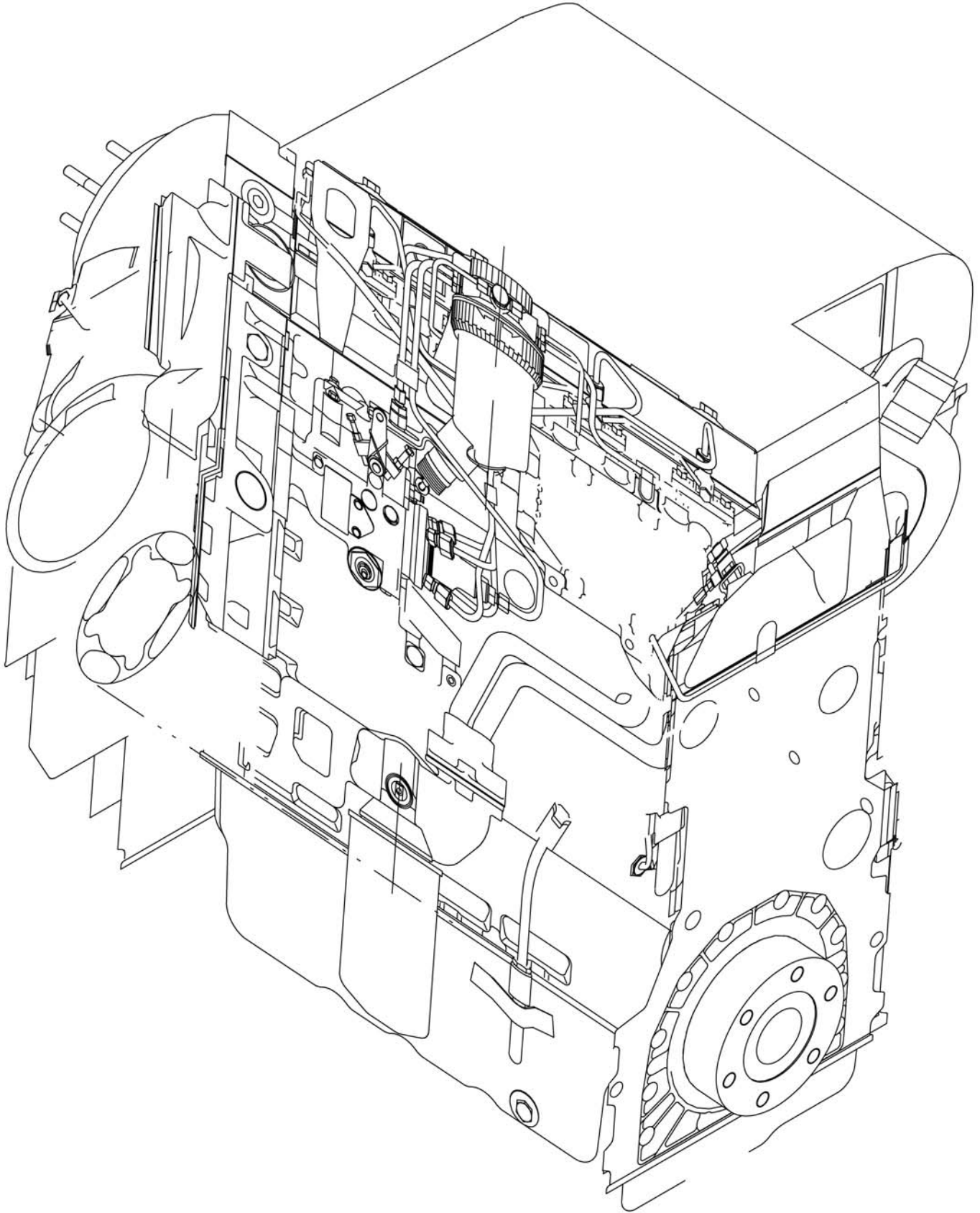
WR132508 - NOZZLE ASM-SINGLE

ITEM	PART #	QTY	DESCRIPTION	COMMENTS
1	6633637	1	ENDCAP	
2	6649520	1	DIAPHRAGM-VITON	
3	6660072	1	NOZZLE-HSG,SINGLE	



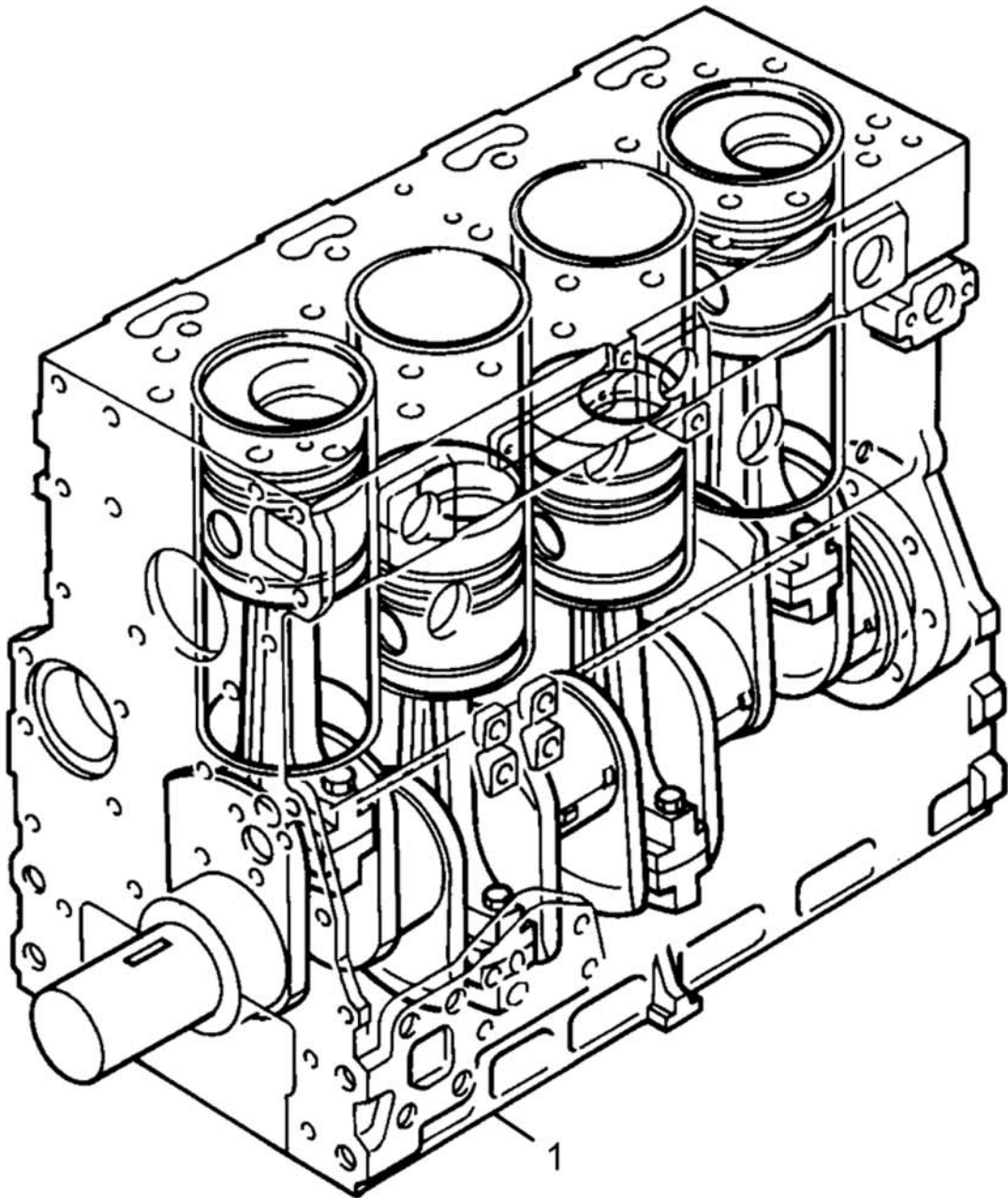
WR132509 - NOZZLE ASM-DOUBLE

ITEM	PART #	QTY	DESCRIPTION	COMMENTS
1	6633637	1	ENDCAP	
2	6649520	1	DIAPHRAGM-VITON	
3	6660071	1	NOZZLE-HSG,DOUBLE	



6670633 - ENGINE-PERKINS

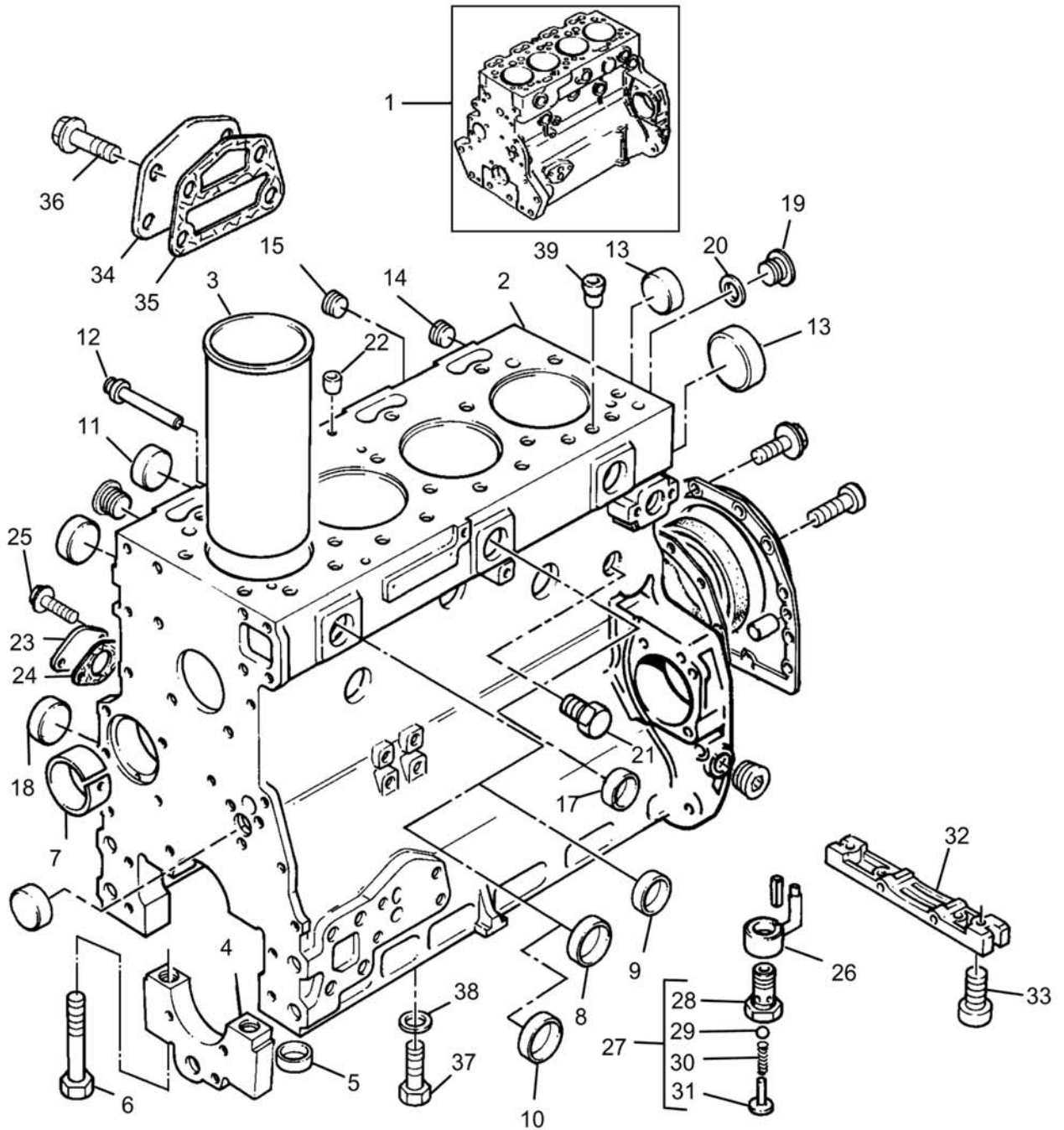
ITEM	PART #	QTY	DESCRIPTION	COMMENTS
0	WR36214	1	DIPSTICK-PERKINS	
0	WR128133	1	CYLINDER BLOCK KIT	SEE PAGE 6-3
0	WR128134	1	REAR OIL SEAL ASSEMBLY	SEE PAGE 6-4
0	WR128135	1	TIMING GEAR & CAMSHAFT ASSY	SEE PAGE 6-7
0	WR128136	1	OIL PUMP & HOUSING ASSEMBLY	SEE PAGE 6-8
0	WR128137	1	CRANKSHAFT/ROD & PISTON ASSY	SEE PAGE 6-9
0	WR128138	1	CONROD KIT	SEE PAGE 6-10
0	WR128139	1	CONROD KIT	SEE PAGE 6-11
0	WR128140	1	FUEL INJECTION EQUIPMENT	SEE PAGE 6-12
0	WR128141	1	FUEL INJECTION EQUIPMENT	SEE PAGE 6-13
0	WR128142	1	FLYWHEEL HOUSING ASSEMBLY	SEE PAGE 6-14
0	WR128143	1	FAN DRIVE ASSEMBLY	SEE PAGE 6-15
0	WR128144	1	OIL SUMP ASSEMBLY	SEE PAGE 6-16
0	WR128145	1	OIL FILTER ASSEMBLY	SEE PAGE 6-17
0	WR128146	1	OIL BREATHER ASSEMBLY	SEE PAGE 6-18
0	WR128147	1	VALVE COVER/BREATHER HOSE ASSY	SEE PAGE 6-19
0	WR128148	1	OIL FILTER & COOLER ASSEMBLY	SEE PAGE 6-20
0	WR128149	1	OIL FILTER & COOLER ASSEMBLY	SEE PAGE 6-21
0	WR128150	1	FRONT END DRIVE INPUT	SEE PAGE 6-22
0	WR128151	1	COOLING ASSEMBLY	SEE PAGE 6-23
0	WR128152	1	WATER PUMP	SEE PAGE 6-24
0	WR128153	1	THERMOSTAT HOUSING ASSEMBLY	SEE PAGE 6-25
0	WR128154	1	WATER OUTLET & INLET	SEE PAGE 6-26
0	WR128155	1	FAN & EXTENSION ASSEMBLY	SEE PAGE 6-27
0	WR128156	1	ALTERNATOR & GENERATOR INSTL	SEE PAGE 6-28
0	WR128157	1	AUXILLARY DRIVE OPTION	SEE PAGE 6-29
0	WR128158	1	TURBOCHARGER ASSEMBLY	SEE PAGE 6-30
0	WR128159	1	TURBO MANIFOLD & COOLER ASM	SEE PAGE 6-31
0	WR128160	1	TURBO MANIFOLD & COOLER ASM	SEE PAGE 6-32
0	WR128161	1	TURBO/ACTUATOR ASM	SEE PAGE 6-33
0	WR128162	1	REMOTE AIR CHARGE COOLER	SEE PAGE 6-34
0	WR128163	1	FUEL FILTER INSTL	SEE PAGE 6-36
0	WR128164	1	LOW PRESSURE FUEL SYSTEM	SEE PAGE 6-37
0	WR128165	1	COLD START SYSTEM	SEE PAGE 6-39
0	WR128166	1	ENGINE LIFTING PLATE INSTL	SEE PAGE 6-40
0	WR128167	1	MOUNTINGS FRONT & REAR	SEE PAGE 6-41
0	WR128168	1	HEATER/STARTER SWITCH	SEE PAGE 6-42
0	WR128169	1	OIL PRESSURE SWITCH & GAUGE	SEE PAGE 6-43
0	WR128170	1	TEMP GAUGE & SENDER	SEE PAGE 6-44
0	WR128171	1	RADIATOR & COOLING FITTING ASM	SEE PAGE 6-45
0	WR128172	1	FUEL RE-LIFT PUMP INSTL	SEE PAGE 6-46
0	WR128173	1	MISCELLANEOUS & AUXILLARIES	SEE PAGE 6-48
0	4222823M91	1	ROCKER SHAFT ASSEMBLY	SEE PAGE 6-6
0	4222864M91	1	TOP JOINT & GASKET KIT	SEE PAGE 6-49
0	4223429M1	1	CYLINDER HEAD KIT	SEE PAGE 6-5
0	4224451M91	1	LIFT PUMP	SEE PAGE 6-35
0	4225096M91	1	BOTTOM JOINT & GASKET	
0	6670995	1	FUEL FILTER ASSEMBLY	SEE PAGE 6-38
0	6671003	1	FILTER	SEE PAGE 6-47
0	6672270	1	SHORT ENGINE	SEE PAGE 6-2



6672270 - SHORT ENGINE

ITEM	PART #	QTY	DESCRIPTION	COMMENTS
0	WR127500	1	CRANK SHAFT KIT	
0	1447691M1	1	REAR OIL SEAL	
0	3637791M91	8	BEARING KIT	
0	4222129M1	4	CYLINDER LINER STD	
0	4222134M91	4	PISTON KIT	
0	4222136M91	4	PISTON RING KIT	
0	4223522M91	4	CONROD KIT GRADE L	
0	4223523M91	4	CONROD KIT GRADE H	
0	6667492	1	REAR OIL SEAL HOUSING	
0	6670878	1	CYLINDER BLOCK KIT	
0	735168M91	10	BEARING KIT	
0	747128M1	2	WASHER	
0	747129M1	2	WASHER	
			ITEM 1: SHORT ENGINE 6672270	

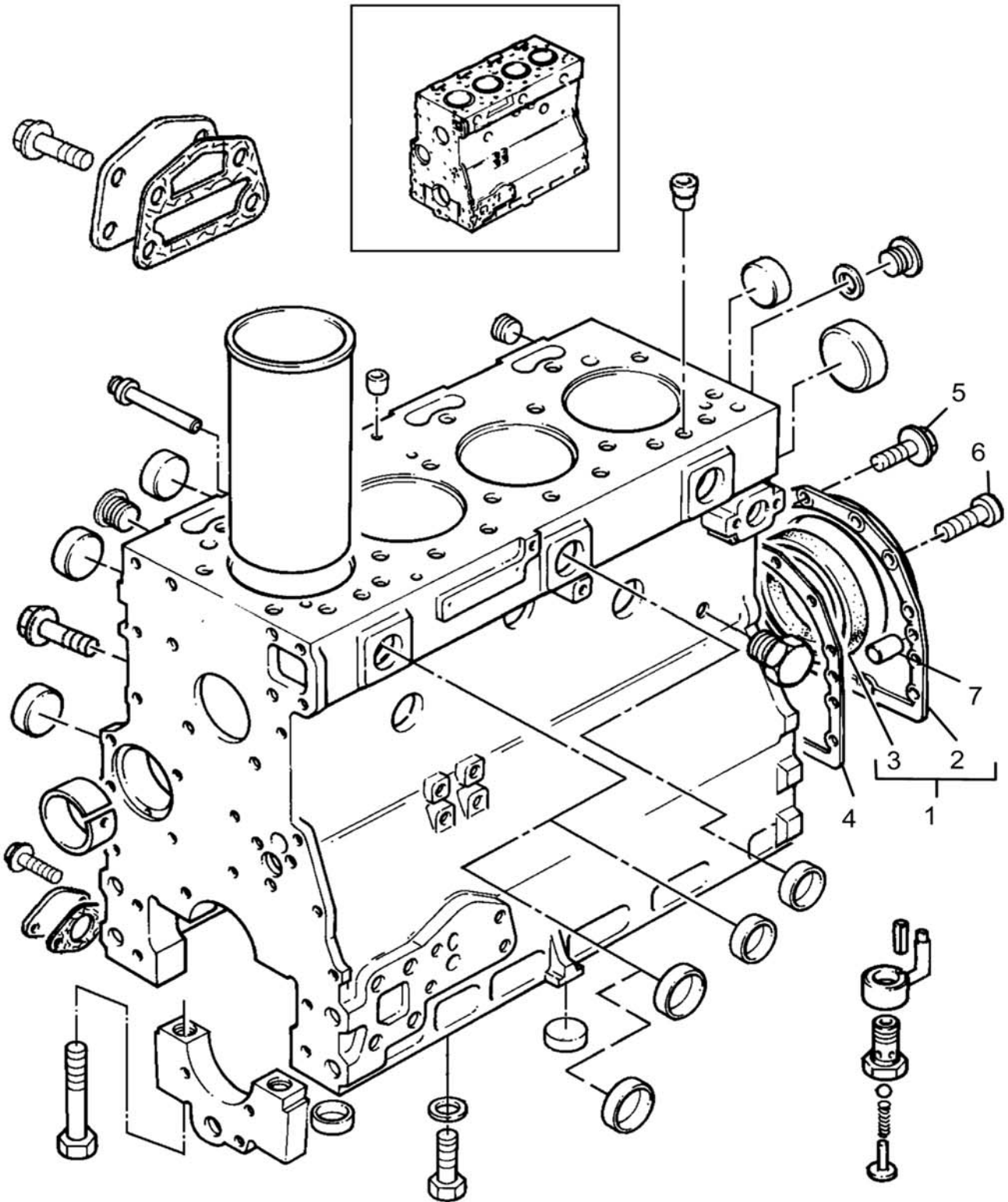
WR128133 - CYLINDER BLOCK KIT



WR128133 - CYLINDER BLOCK KIT

ITEM	PART #	QTY	DESCRIPTION	COMMENTS
3	4223985M1	4	OVERSIZE CYL LINER SLIP FIT	
3	4222129M1	4	CYLINDER LINER STD	
3	4222128M1	4	CYLINDER LINER SLIP FIT	
3	WR128176	4	LINER/CYLINDER OVERSIZE	
5	733072M1	10	THIMBLE	
6	1476108X1	10	SCREW	
7	4222017M1	1	CAMSHAFT BUSHING	
8	72080004	5	PLUG	
10	4222043M1	1	PLUG	
11	736868M1	1	PLUG	
12	1476282X1	1	PLUG	
13	746259M1	6	PLUG	
14	6668207	1	PLUG	
17	4224540M1	4	PLUG	
18	6668224	1	PLUG	
19	WR128174	1	PLUG	
20	4224555M1	1	WASHER	
21	41K000004B	1	PLUG	
22	4222552M1	2	DOWEL	
23	748416M1	1	PLATE	
24	3638696M1	1	JOINT	
25	WR127425	2	SCREW	
26	4224385M91	4	PISTON COOLING JET	
27	3637005M91	4	VALVE	
32	WR128175	1	BRIDGE PIECE	
33	3637236M1	2	SCREW	
34	3623H008	1	PLATE	
35	3686T006	1	JOINT	
36	3638424M1	4	SCREW	
37	6668214	4	SCREW	
38	6668215	4	SPACER	
39	4222439M1	2	DOWEL	
			ITEM 1: CYLINDER BLOCK KIT	
			ITEM 2 CANNOT BE PURCHASED INDIVIDUALLY BUT IS INCLUDED WITH THE CYLINDER BLOCK KIT.	
			ITEM 2: CYLINDER BLOCK	
			ITEM 4 CANNOT BE PURCHASED INDIVIDUALLY BUT IS INCLUDED WITH THE CYLINDER BLOCK KIT.	
			ITEM 4: BEARING CAP	
			ITEM 9: SAME AS ITEM 8	
			ITEMS 28, 29, 30 AND 31 CANNOT BE PURCHASED INDIVIDUALLY BUT ARE INCLUDED WITH THE VALVE.	
			ITEM 28: VALVE BODY	
			ITEM 29: BALL	
			ITEM 30: SPRING	
			ITEM 31: RETAINER	

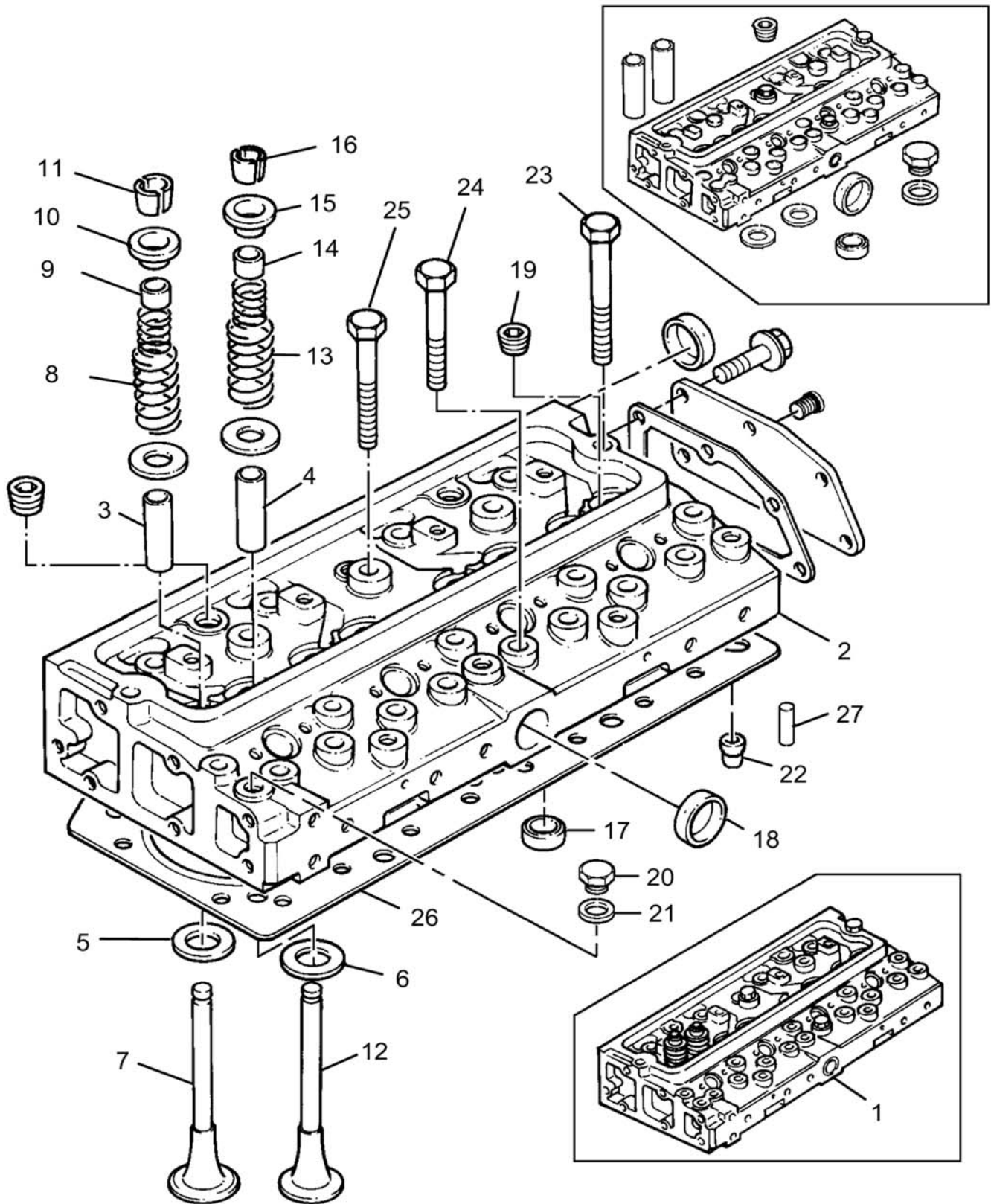
WR128134 - REAR OIL SEAL ASSEMBLY



WR128134 - REAR OIL SEAL ASSEMBLY

ITEM	PART #	QTY	DESCRIPTION	COMMENTS
1	6667492	1	REAR OIL SEAL HOUSING	
3	1447691M1	1	REAR OIL SEAL	
4	4223587M1	1	JOINT	
5	3637008M1	12	SCREW	
6	6670882	2	SCREW	
7	WR128177	2	DOWEL	

4223429M1 - CYLINDER HEAD KIT

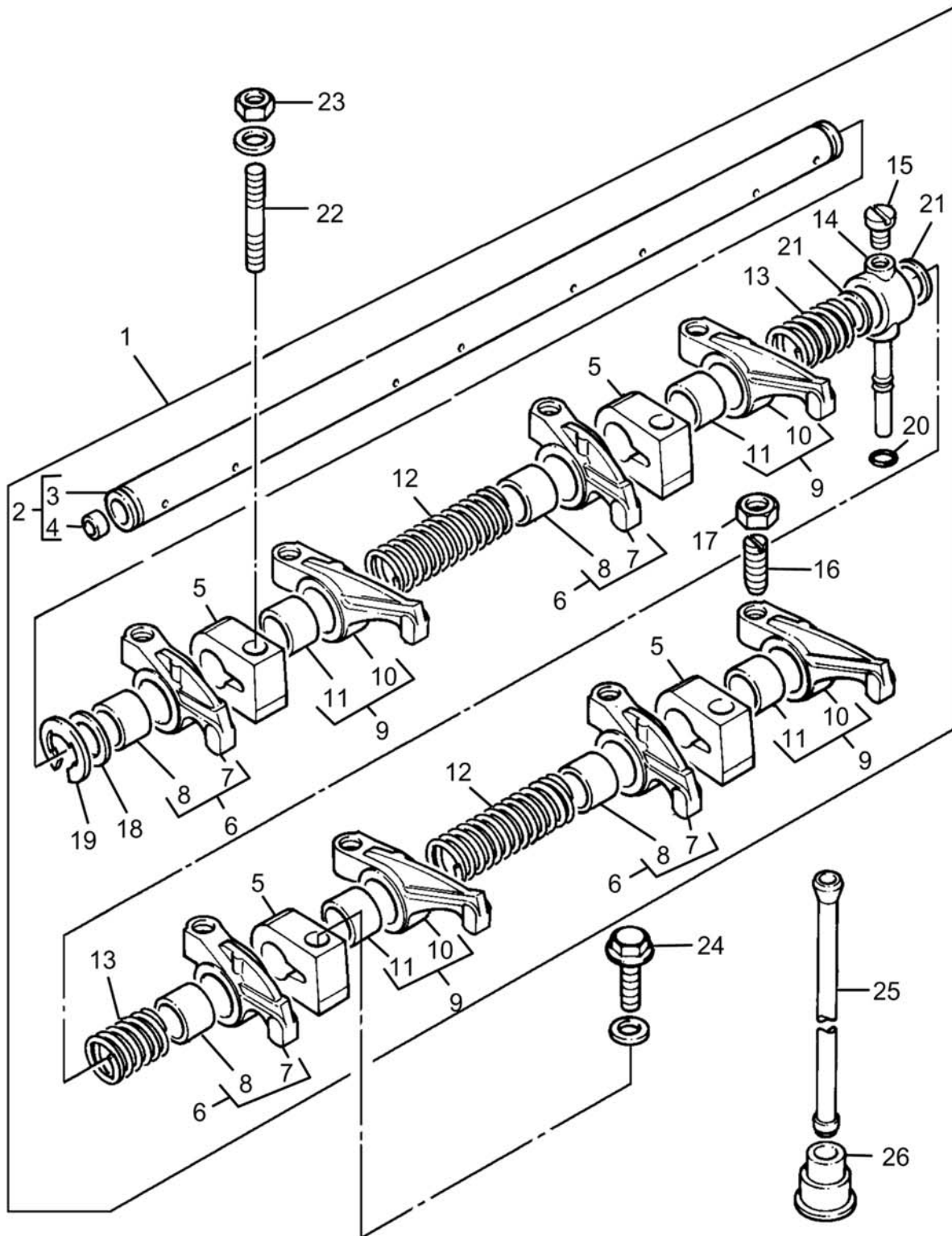


4223429M1 - CYLINDER HEAD KIT

ITEM	PART #	QTY	DESCRIPTION	COMMENTS
3	4223987M1	4	INLET VALVE GUIDE	
4	4223581M1	4	GUIDE	
5	4222895M1	4	INLET VALVE SEAT INERT	
6	4222897M1	4	EXHAUST VALVE SEAT INSERT	
7	4222894M1	4	VALVE, INLET	
8	4224316M1	4	VALVE SPRING	
9	2418M506	4	VALVE STEM SEAL	
10	4222140M1	4	VALVE CAP	
11	4222141M1	8	COTTER	
12	6670896	4	EXHAUST VALVE	
14	4223442M1	4	VALVE STEM SEAL	
17	WR128178	1	PLUG	
18	72080004	1	PLUG	
19	6514963	4	PLUG	
20	731410M1	1	PLUG	
21	376178X1	1	WASHER	
22	4222439M1	2	DOWEL	
23	1476243X1	2	SCREW	
24	745662M1	8	SCREW	
25	745663M1	12	SCREW	
26	WR128179	1	HEAD GASKET	
27	4222552M1	2	DOWEL	

ITEM 1: CYLINDER HEAD KIT 4223429M1.
 ITEM 1: CYLINDER HEADS FITTED AFTER S/N U707727A MUST BE USED WITH LOCATING DOWELS.
 ITEM 2: CYLINDER HEAD ASSEMBLY INCLUDED IN THE CYLINDER HEAD KIT.
 ITEM 13: SAME AS ITEM 8
 ITEM 15: VALVE CAP 4222140M1
 ITEM 16: COTTER 4222141M1

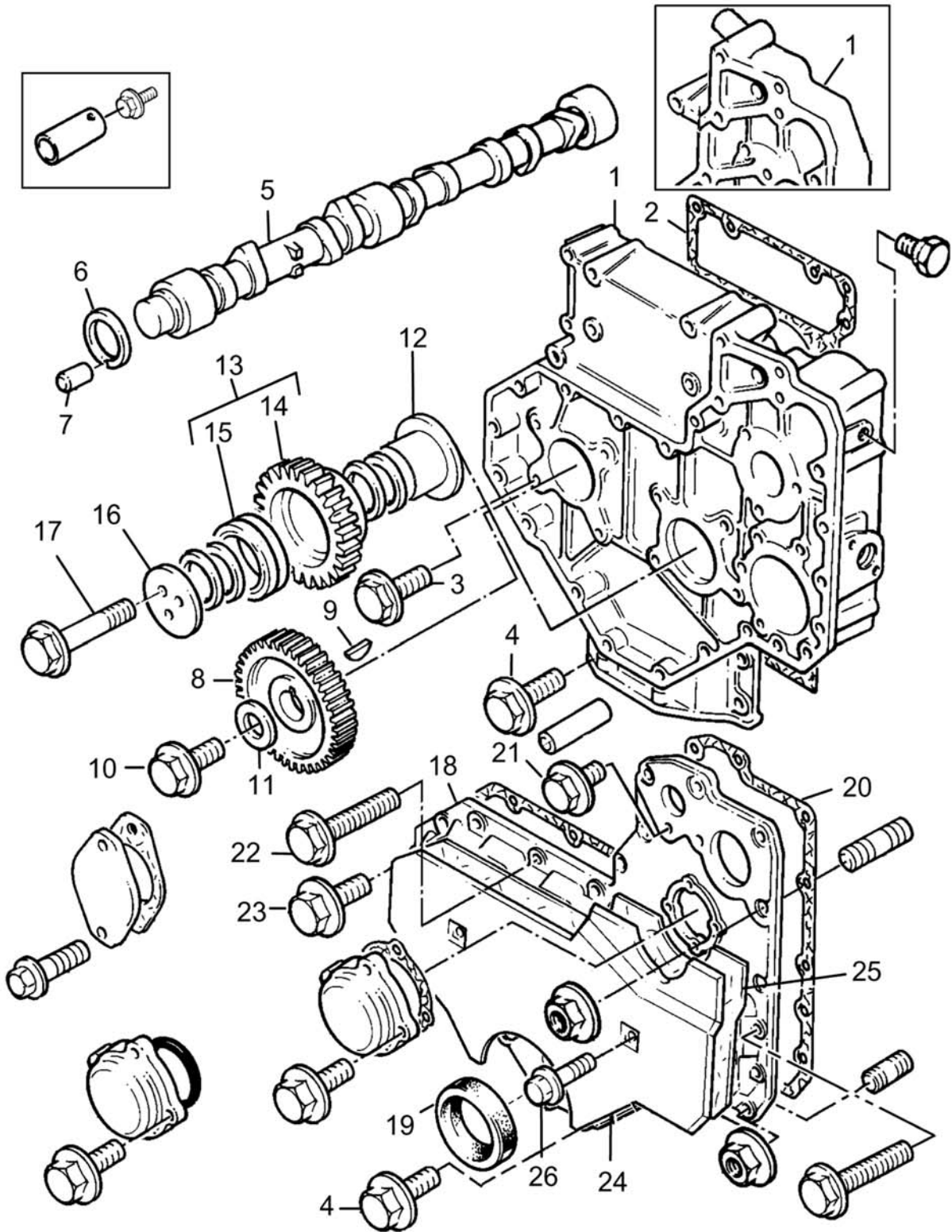
4222823M91 - ROCKER SHAFT ASSEMBLY



4222823M91 - ROCKER SHAFT ASSEMBLY

ITEM	PART #	QTY	DESCRIPTION	COMMENTS
2	4222824M91	1	ROCKER SHAFT	
4	731330M1	2	PLUB	
5	3637063M1	4	BRACKET	
6	422544M1	4	LEVER	
8	4224553M1	1	BUSHING	
9	4224543M1	4	LEVER	
12	733811M1	2	SPRING	
13	159196A	2	SPRING	
14	3638499M1	1	CONNECTION	
15	3638500M1	1	SCREW	
16	4223933M1	8	SCREW	
17	353430X1	8	NUT	
18	4222156M1	2	WASHER	
19	3727375B	2	OLIVE	
20	376525X1	1	OLIVE	
21	4224336M1	1	SHIM	
22	3637066M1	3	STUD	
23	3637067M1	3	NUT	
24	3637073M1	1	SCREW	
25	733817M1	8	PUSH ROD	
26	4222069M1	8	TAPPET	
			ITEM 1: ROCKER SHAFT ASSEMBLY 4222823M91	
			ITEM 3: CANNOT BE PURCHASED INDIVIDUALLY BUT IS INCLUDED IN THE ROCKER SHAFT ASSEMBLY.	
			ITEM 7: CANNOT BE PURCHASED INDIVIDUALLY BUT IS INCLUDED WITH ITEM 6.	
			ITEM 10: CANNOT BE PURCHASED INDIVIDUALLY BUT IS INCLUDED WITH ITEM 9.	
			ITEM 11: SAME AS ITEM 8	
			ITEM 11: BUSHING	

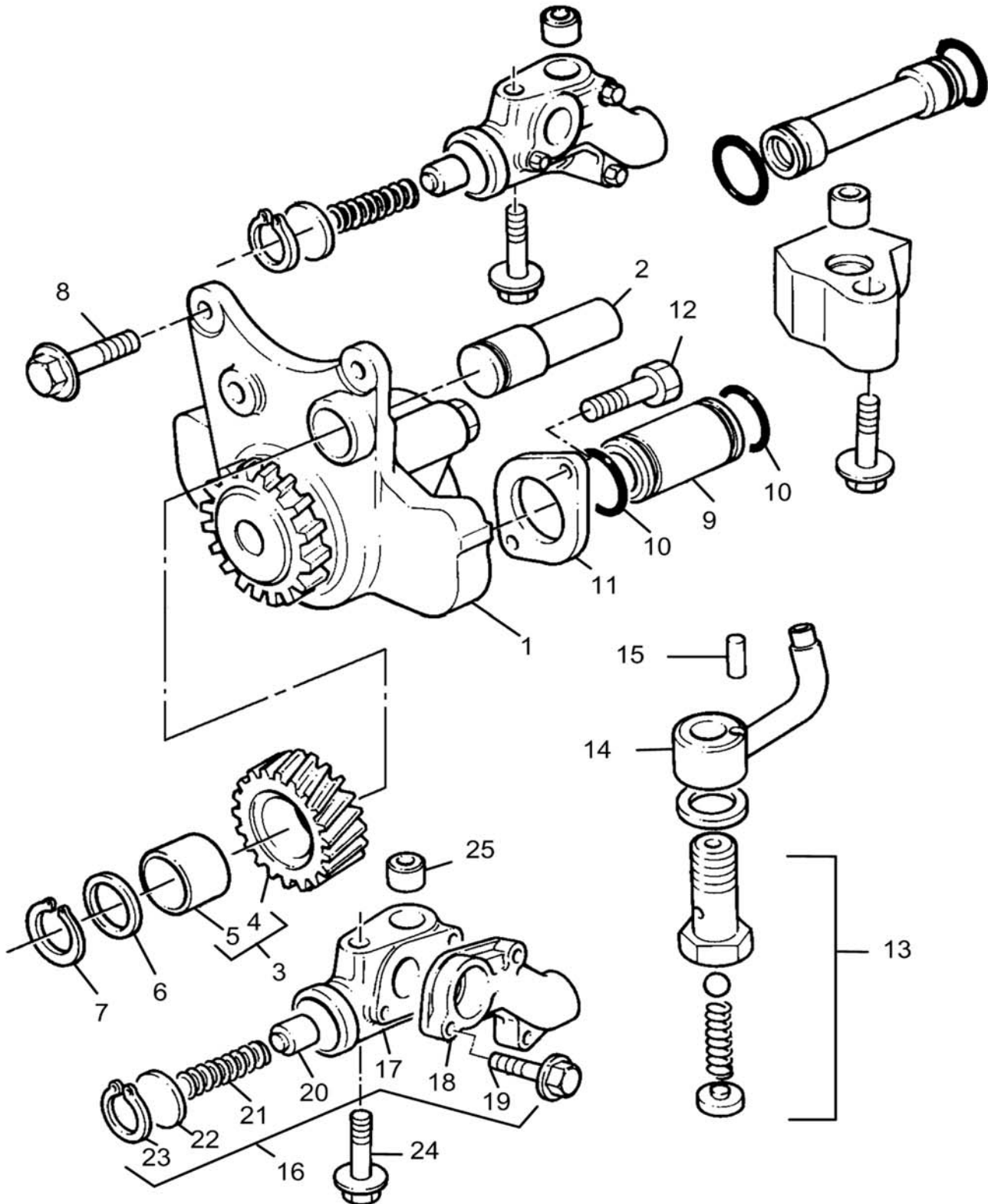
WR128135 - TIMING GEAR & CAMSHAFT ASSY



WR128135 - TIMING GEAR & CAMSHAFT ASSY

ITEM	PART #	QTY	DESCRIPTION	COMMENTS
1	4224013M91	1	TIMING CASE	
2	3681P009	1	TIMING CASE JOINT	
3	3637008M1	8	SCREW	
4	6668258	6	SCREW	
5	WR128180	1	CAMSHAFT	
6	733728M1	1	THRUST PLATE	
7	1476145X1	1	PIN	
8	3641739M1	1	CAMSHAFT GEAR	
9	70905845	1	KEY	
10	1476280X1	1	SCREW	
11	747557M1	1	WASHER	
12	735852M1	1	HUB	
13	3637075M91	1	IDLER GEAR	
15	731033M1	2	BUSHING	
16	6668264	1	PLATE	
17	3637076M1	3	BOLT	
18	4224000M1	1	TIMING COVER	
19	1447690M1	1	SEAL	
20	6670915	1	TIMING CASE COVER JOINT	
21	3637085M1	6	SCREW	
22	6668278	1	SCREW	
23	6668268	7	SCREW	
24	4222829M1	1	SHIELD	
25	4222830M1	1	DAMPER	
26	3637090M1	2	SCREW	

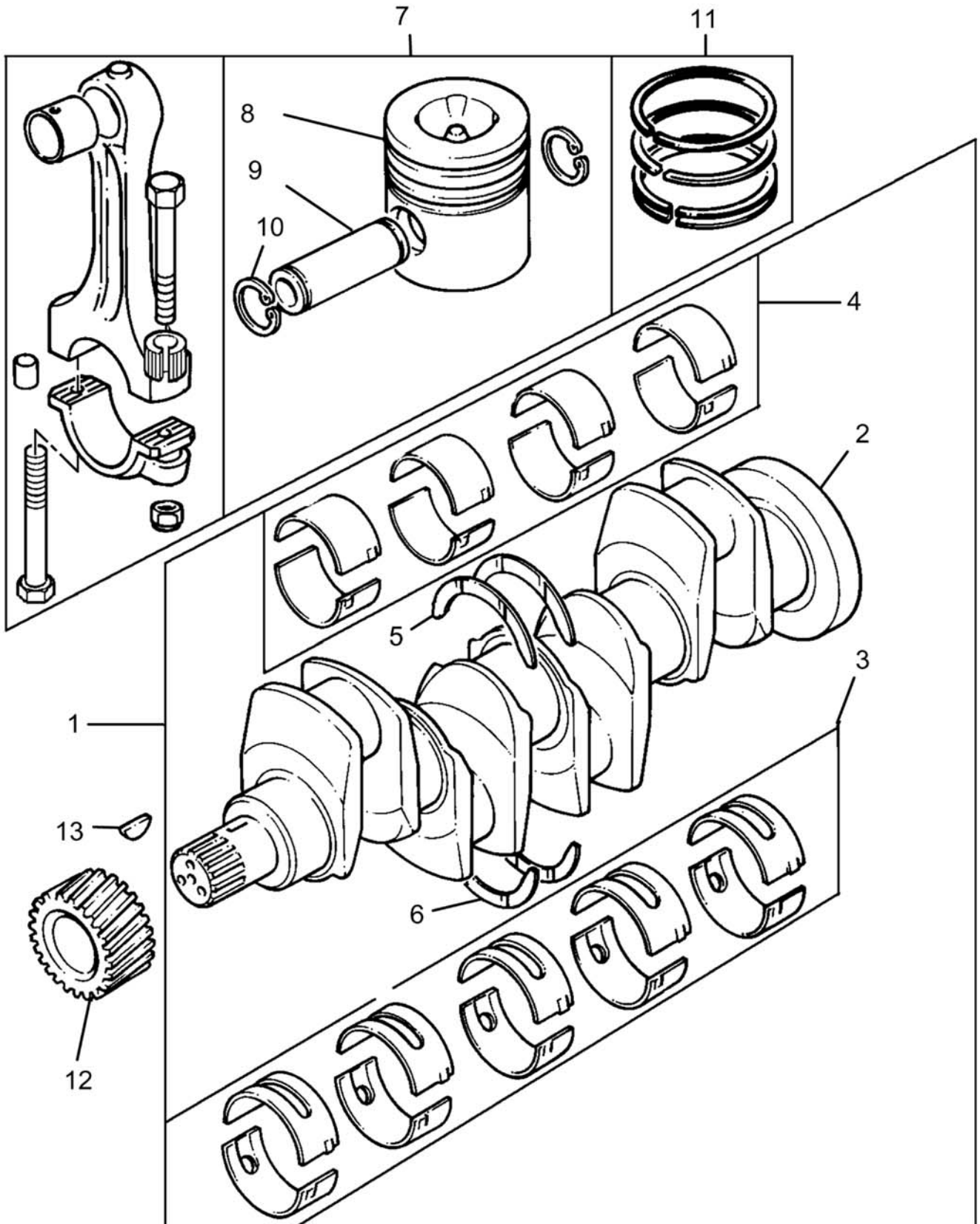
WR128136 - OIL PUMP & HOUSING ASSEMBLY



WR128136 - OIL PUMP & HOUSING ASSEMBLY

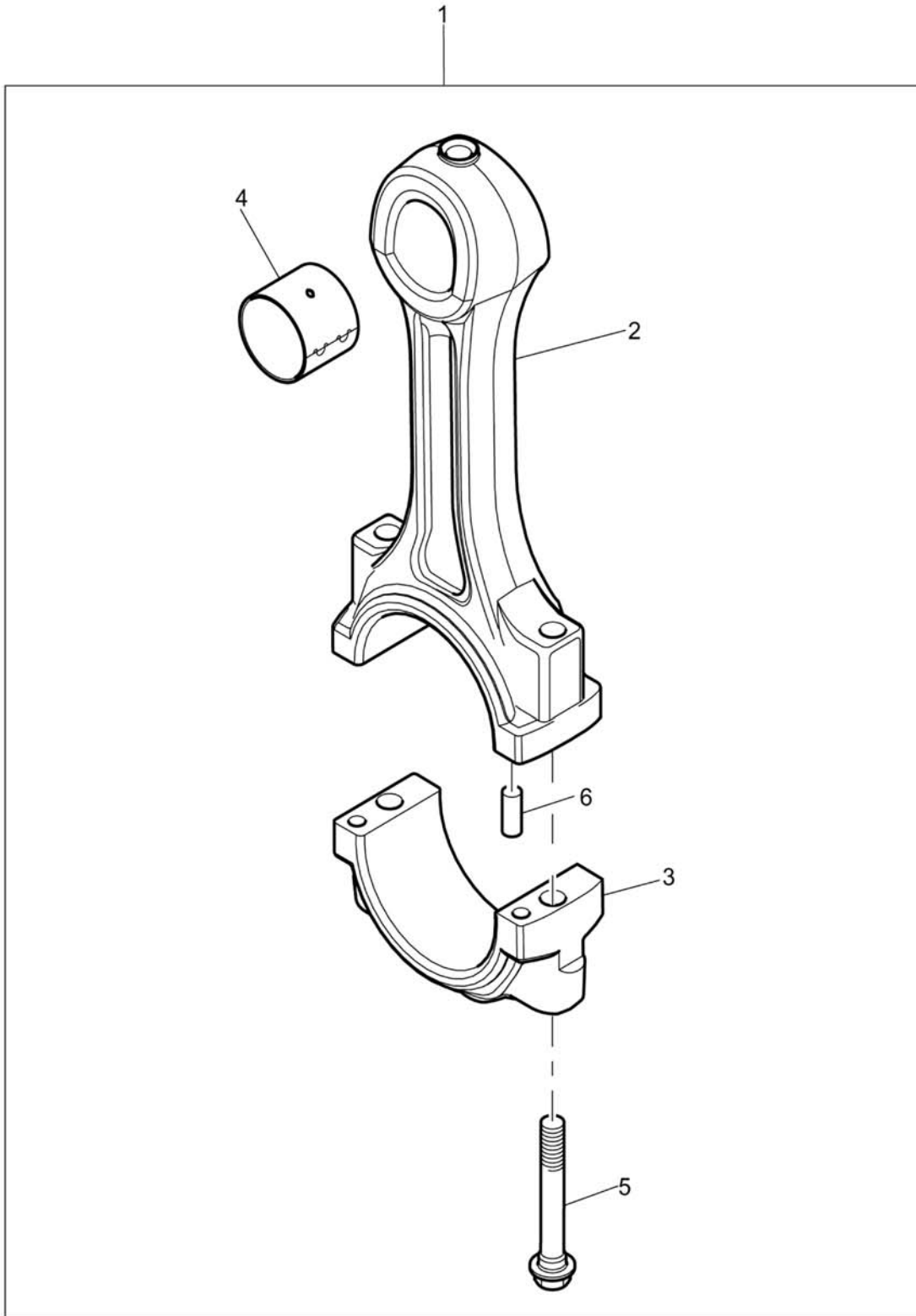
ITEM	PART #	QTY	DESCRIPTION	COMMENTS
1	4222282M91	1	OIL PUMP	
2	6670918	1	SHAFT	
2	WR128183	1	SHAFT	
3	6668280	1	IDLER GEAR	
5	733770M1	1	BUSHING	
6	3637078M1	1	WASHER	
7	6514958	1	CIRCLIP	
8	6668268	3	SCREW	
9	6668288	1	OIL PIPE	
10	6668289	2	O-RING	
11	6668290	1	FLANGE	
12	6668278	2	SCREW	
16	WR128181	1	RELIEF VALVE	
19	6668523	3	SCREW	
20	744397M1	1	PLUNGER	
21	WR128182	1	SPRING KIT	
22	744534M1	1	SEAT	
23	6668286	1	CIRCLIP	
24	3637096M1	1	SCREW	
25	3641737M1	1	THIMBLE	
			ITEM 2: SERVICE OPTION SHAFT WR128183 APPLIES TO 4 CYLINDER ENGINES ONLY.	
			ITEM 2: REFER TO SERVICE BULLETIN NO. 163	
			ITEM 4 CANNOT BE PURCHASED INDIVIDUALLY BUT IS INCLUDED IN ITEM 3.	
			ITEMS 17 & 18 CANNOT BE PURCHASED INDIVIDUALLY BUT ARE INCLUDED WITH THE RELIEF VALVE.	

WR128137 - CRANKSHAFT/ROD & PISTON ASSY



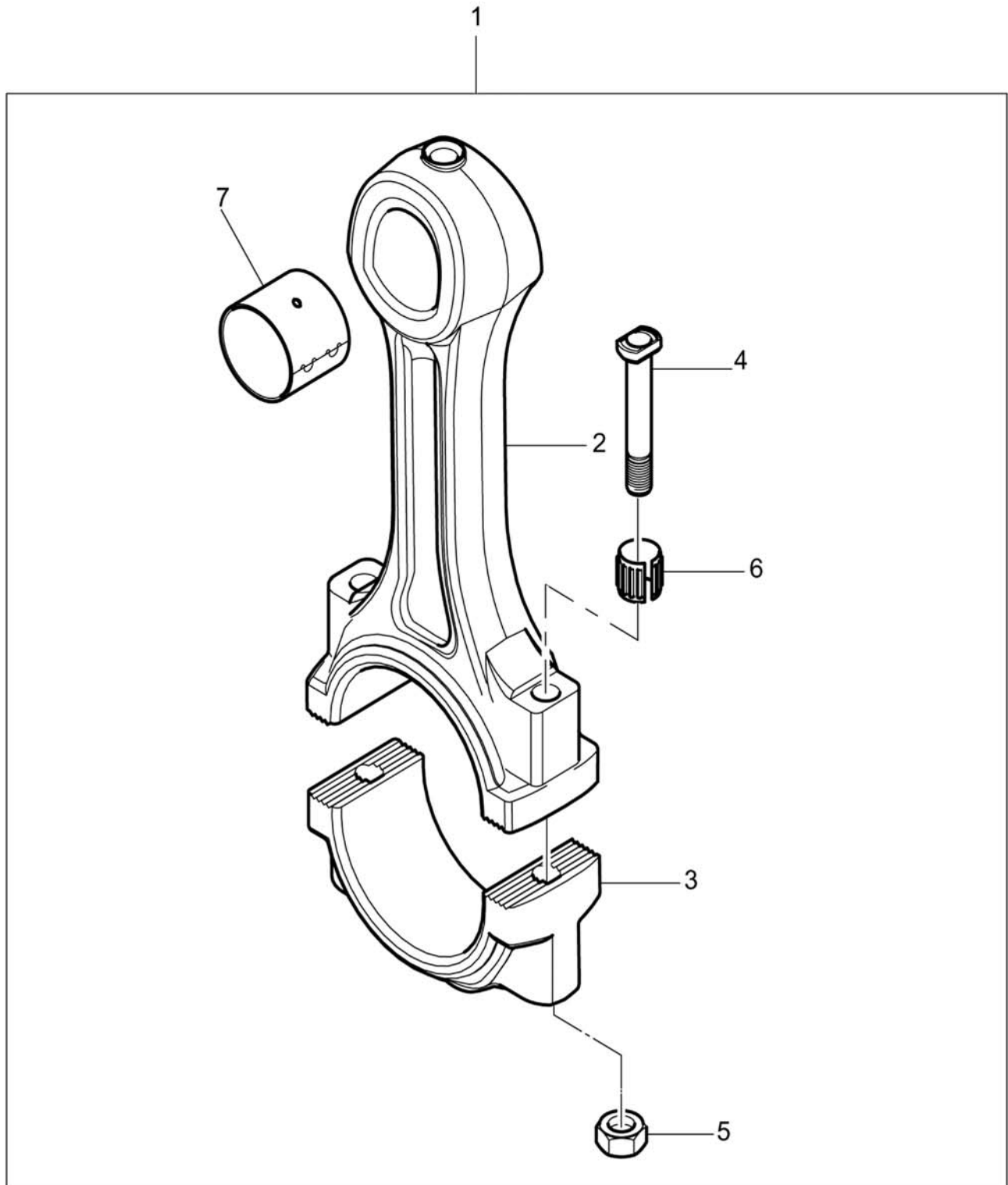
WR128137 - CRANKSHAFT/ROD & PISTON ASSY

ITEM	PART #	QTY	DESCRIPTION	COMMENTS
1	4223939M91	1	CRANKSHAFT KIT	
3	735170M91	1	(-).020 OVERSIZE MAIN BEARING	
3	735168M91	1	BEARING KIT	
3	6515695	1	(-).010 OVERSIZE MAIN BEARING	
3	735171M91	1	(-).030 OVERSIZE MAIN BEARING	
4	3637792M91	1	(-).010 BEARING KIT	
4	3637793M91	1	(-).020 BEARING KIT	
4	3637791M91	1	BEARING KIT	
4	3637794M91	1	(-).030 BEARING KIT	
5	735742M1	1	THRUST WASHER	
5	747128M1	1	WASHER	
6	747129M1	1	WASHER	
6	735743M1	1	THRUST WASHER	
7	4222134M91	4	PISTON KIT	
10	4222135M1	2	CIRCLIP	
11	4222136M91	4	PISTON RING KIT	
12	748201M1	1	CRANKSHAFT GEAR	
13	70905845	1	KEY	
			ITEM 2 CANNOT BE PURCHASED INDIVIDUALLY BUT IS INCLUDED IN THE CRANKSHAFT KIT.	
			ITEMS 8 & 9 CANNOT BE PURCHASED INDIVIDUALLY BUT ARE INCLUDED IN THE PISTON KIT.	



WR128138 - CONROD KIT

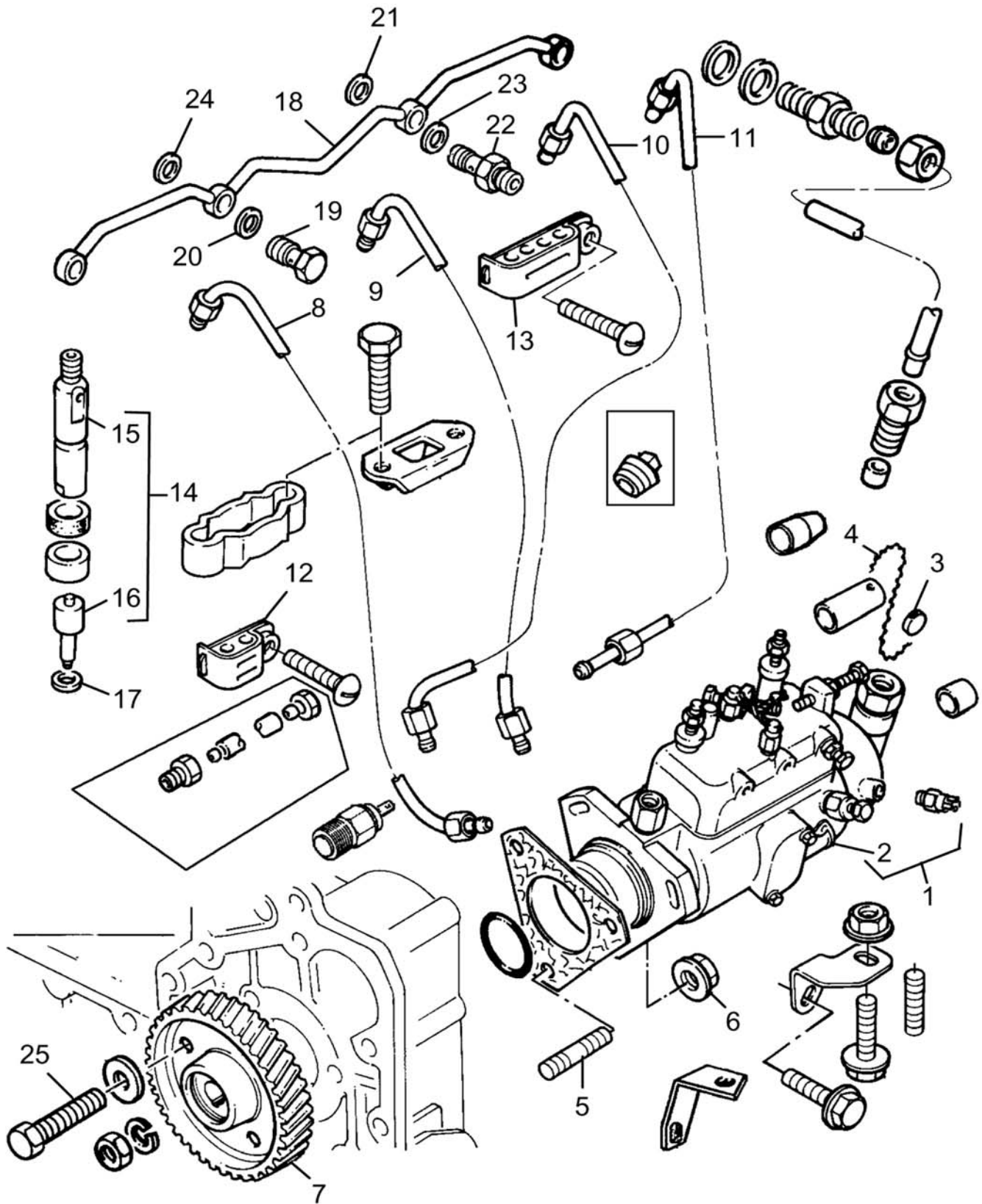
ITEM	PART #	QTY	DESCRIPTION	COMMENTS
4	4222131M1	1	BUSHING	
5	4222132M1	2	CONROD BOLT	
6	6670884	2	DOWEL	
			ITEM 1: CONROD KIT GRADE L USE 4223522M91 ITEM 1: CONROD KIT GRADE H USE 4223523M91 ITEMS 2 & 3 CANNOT BE PURCHASED INDIVIDUALLY BUT ARE INCLUDED IN THE CONROD KIT.	



WR128139 - CONROD KIT

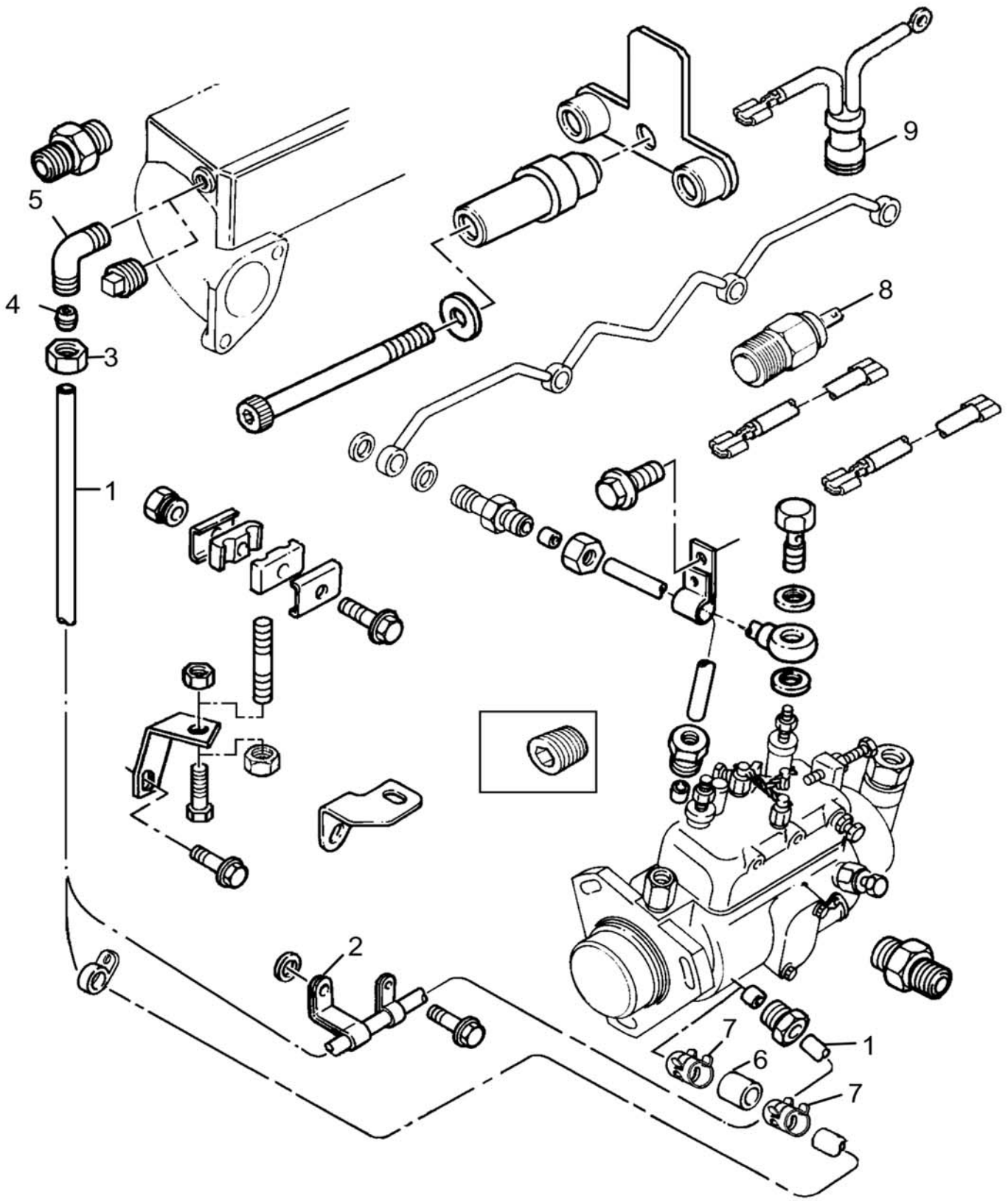
ITEM	PART #	QTY	DESCRIPTION	COMMENTS
4	4222485M1	2	CON ROD BOLT	
5	1476263X1	2	CON ROD NUT	
6	4222821M1	2	THIMBLE	
7	4222131M1	1	BUSHING	
			ITEM 1: CONROD KIT GRADE J USE 4223433M91	
			ITEM 1: CONROD KIT GRADE K USE 4223434M91	
			ITEM 1: CONROD KIT GRADE L USE 4223435M91	
			ITEMS 2 & 3 CANNOT BE PURCHASED INDIVIDUALLY BUT ARE INCLUDED IN THE CONROD KIT.	

WR128140 - FUEL INJECTION EQUIPMENT



WR128140 - FUEL INJECTION EQUIPMENT

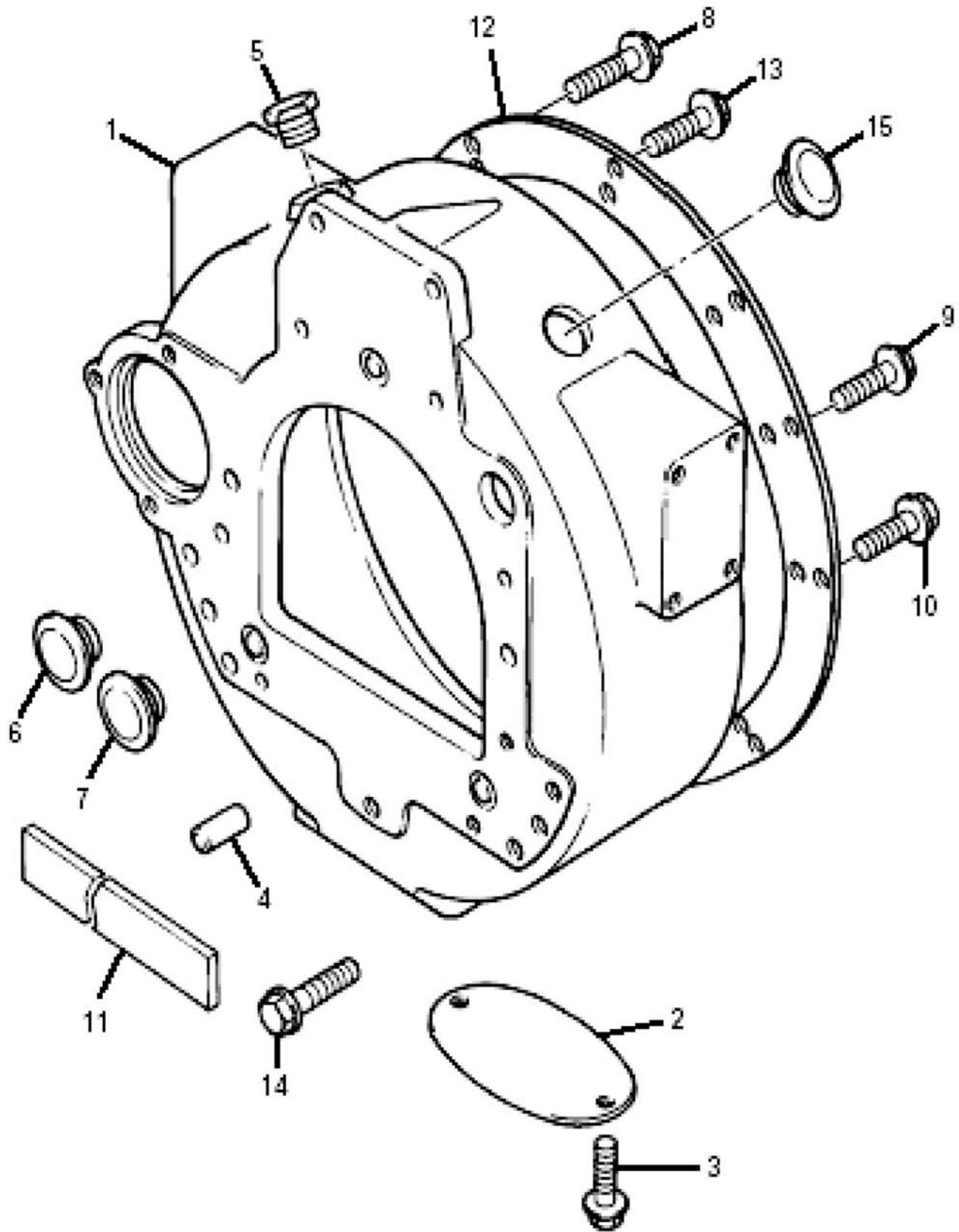
ITEM	PART #	QTY	DESCRIPTION	COMMENTS
1	WR123184	1	BACKING PLATE=LATCH,FENDER	
3	3490324B	1	SEAL	
4	3490325B	1	WIRE	
5	1476286M1	3	STUD	
6	6668270	3	NUT	
7	WR128185	1	FUEL INJECTION PUMP GEAR	
8	4224480M1	1	PIPE-INJECTION	
9	4224496M1	1	FUEL INJECTION PIPE	
10	6672778	1	FUEL INJECTION PIPE	
11	6672779	1	FUEL INJECTION PIPE	
12	6673124	2	CLIP	
13	6673125	1	CLIP	
14	WR128186	4	ATOMISER	
15	6670927	1	HOLDER	
16	6670928	1	NOZZLE	
17	L311FF02	4	INJECTOR WASHER	
18	4222833M1	1	ATOMISER LEAK-OFF PIPE	
19	6670931	3	BANJO BOLT	
20	4224454M1	3	PLAIN WASHER	
22	4222194M1	1	CONNECTION	
25	3637044M1	4	SCREW	
			ITEM 1: INJECTION PUMP CONTAINS NO INDIVIDUALLY SERVICED PARTS, SERVICE AS A COMPLETE UNIT ONLY	
			ITEM 2: CANNOT BE PURCHASED INDIVIDUALLY BUT IS INCLUDED IN ITEM WR123184.	
			ITEMS 21, 23 & 24 SAME AS ITEM 20.	



WR128141 - FUEL INJECTION EQUIPMENT

ITEM	PART #	QTY	DESCRIPTION	COMMENTS
1	WR128187	1	BOOST CONTROL PIPE	
2	6668656	1	CLIP	
3	58F000002B	1	NUT	
4	70912367	1	OLIVE	
5	6668292	1	CONNECTION	
6	WR128188	1	HOSE	
7	6668296	2	CLIP	
8	WR128189	1	SWITCH	
9	WR128190	1	CABLE	
			ITEM 2: CLIP IS INCLUDED WITH BOOST CONTROL PIPE.	

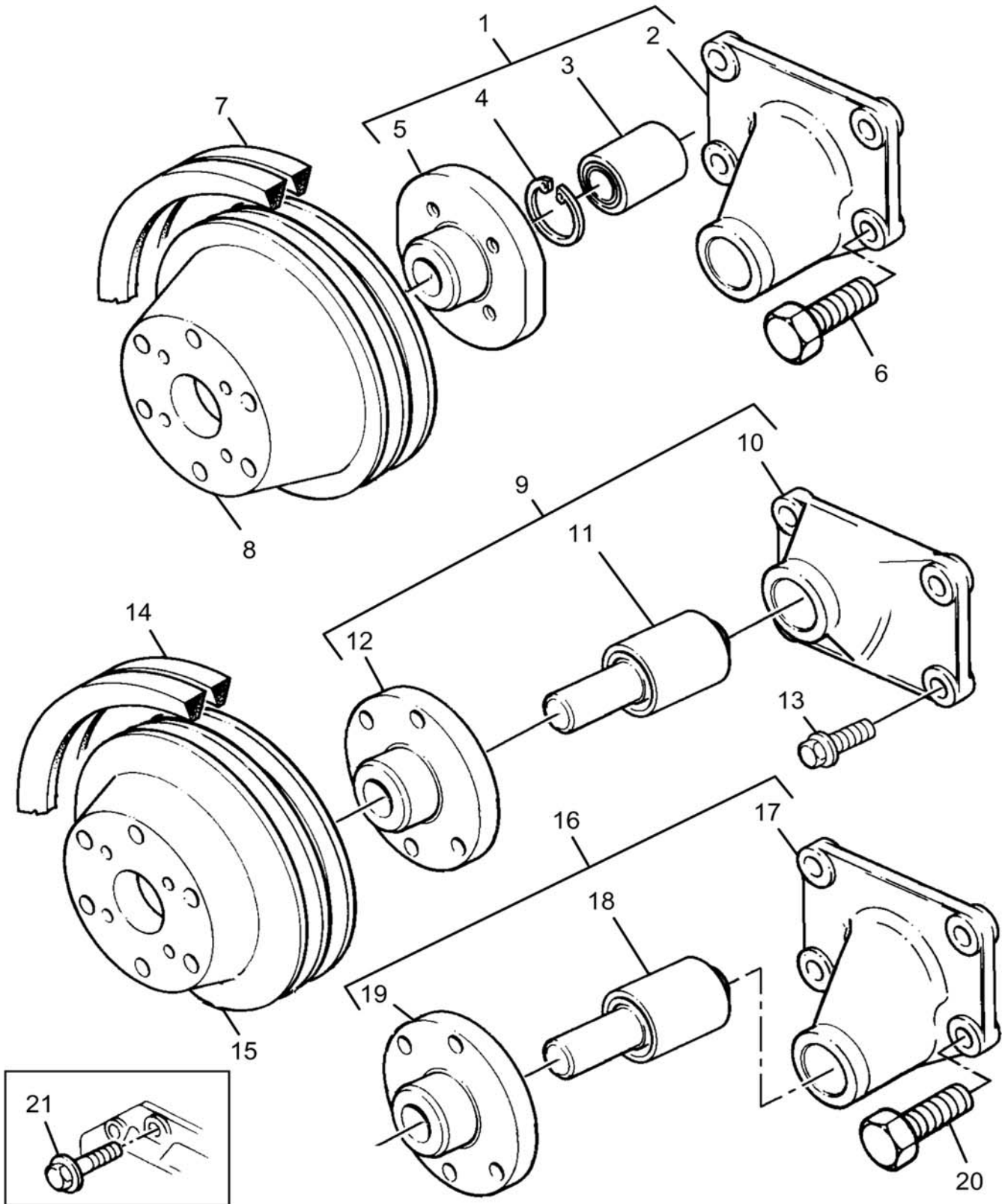
WR128142 - FLYWHEEL HOUSING ASSEMBLY



WR128142 - FLYWHEEL HOUSING ASSEMBLY

ITEM	PART #	QTY	DESCRIPTION	COMMENTS
4	3725347B	2	DOWEL	

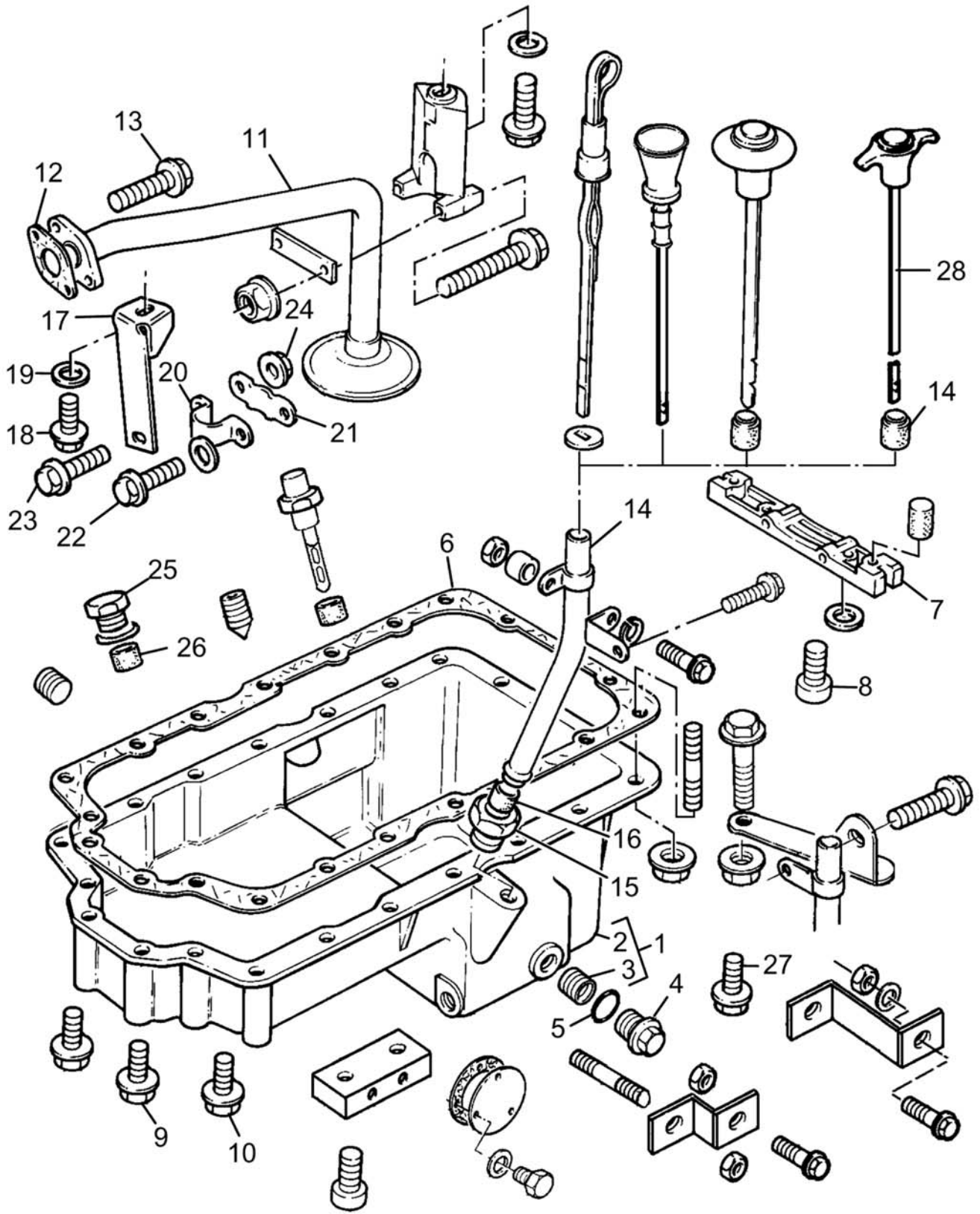
WR128143 - FAN DRIVE ASSEMBLY



WR128143 - FAN DRIVE ASSEMBLY

ITEM	PART #	QTY	DESCRIPTION	COMMENTS
14	WR128191	1	FANBELT	
15	6670934	1	FAN PULLEY	
16	4222300M91	1	FAN DRIVE HOUSING	
20	6668472	4	SCREW	
			ITEM 14 FANBELT SERVICED IN PAIRS. ITEM 17 HOUSING CANNOT BE PURCHASED INDIVIDUALLY BUT IS INCLUDED WITH THE FAN DRIVE HOUSING. ITEM 18 BEARING CANNOT BE PURCHASED INDIVIDUALLY BUT IS INCLUDED WITH THE FAN DRIVE HOUSING. ITEM 19 HUB CANNOT BE PURCHASED INDIVIDUALLY BUT IS INCLUDED WITH THE FAN DRIVE HOUSING.	

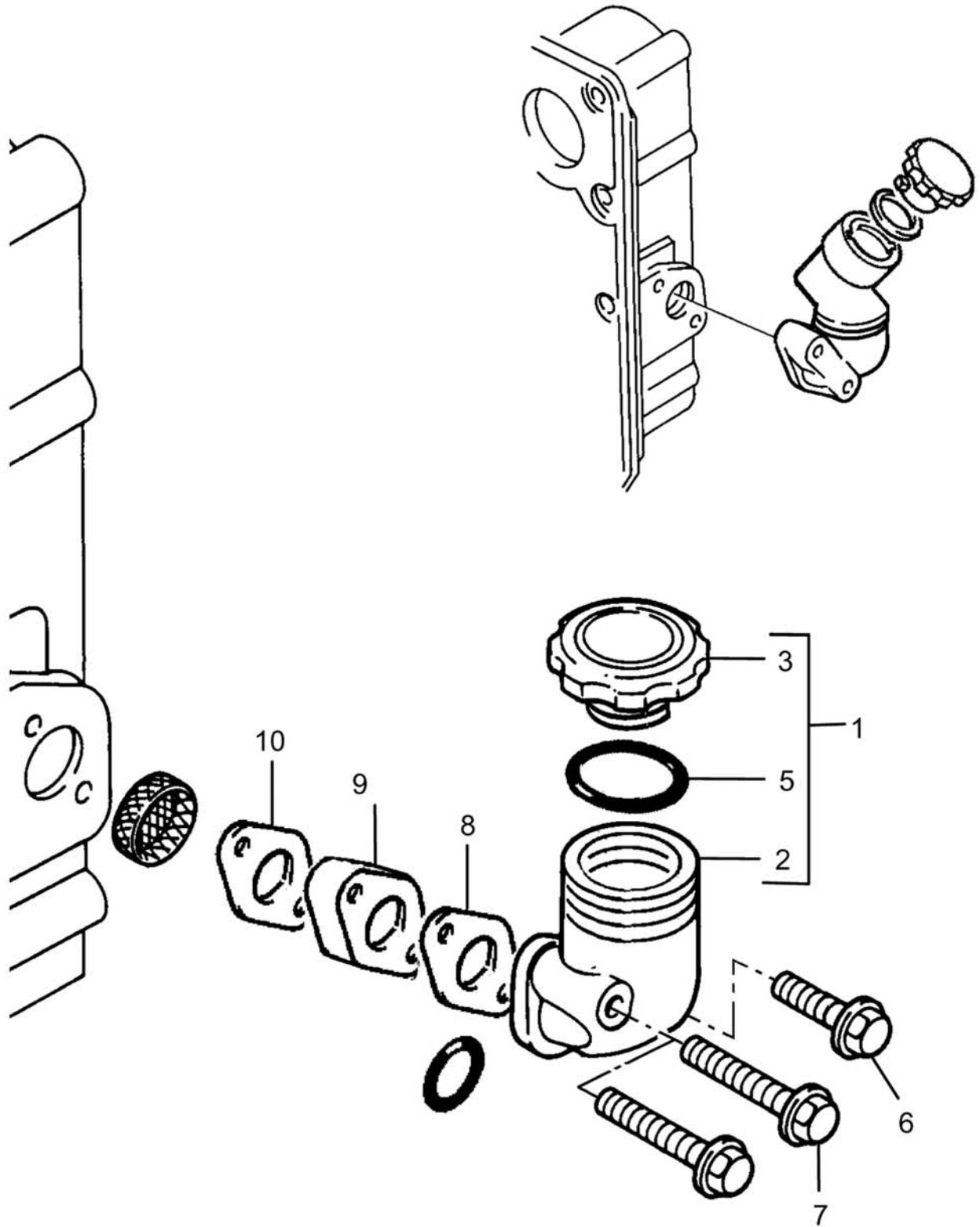
WR128144 - OIL SUMP ASSEMBLY



WR128144 - OIL SUMP ASSEMBLY

ITEM	PART #	QTY	DESCRIPTION	COMMENTS
1	WR127498	1	SUMP	
3	743476M1	1	INSERT	
4	6649446	2	PLUG	
5	3638382M1	1	O-RING	
6	3640406M1	1	SUMP JOINT	
7	3641863M1	1	BRIDGE PIECE	
8	3637236M1	2	SCREW	
9	4223102M1	6	SCREW	
10	3637008M1	12	SCREW	
11	6668480	1	OIL PIPE	
12	739605M1	1	JOINT	
13	6668482	2	SCREW	
14	6670936	1	TUBE	
15	6668484	1	SCREW	
16	739562M1	1	OLIVE	
17	6668486	1	BRACKET	
18	3637044M1	1	SCREW	
19	376017X1	1	WASHER	
20	6668489	1	CLIP	
21	6668490	1	PLATE	
22	3637247M1	1	SCREW	
23	6668492	1	SCREW	
24	2318A602	2	NUT	
25	3638329M1	1	PLUG	
27	WR127425	2	SCREW	
28	WR36214	1	DIPSTICK-PERKINS	
			ITEM 2: SUMP CANNOT BE PURCHASED INDIVIDUALLY BUT IS INCLUDED WITH ITEM 1 SUMP.	
			ITEM 26 OLIVE SAME AS ITEM 16.	

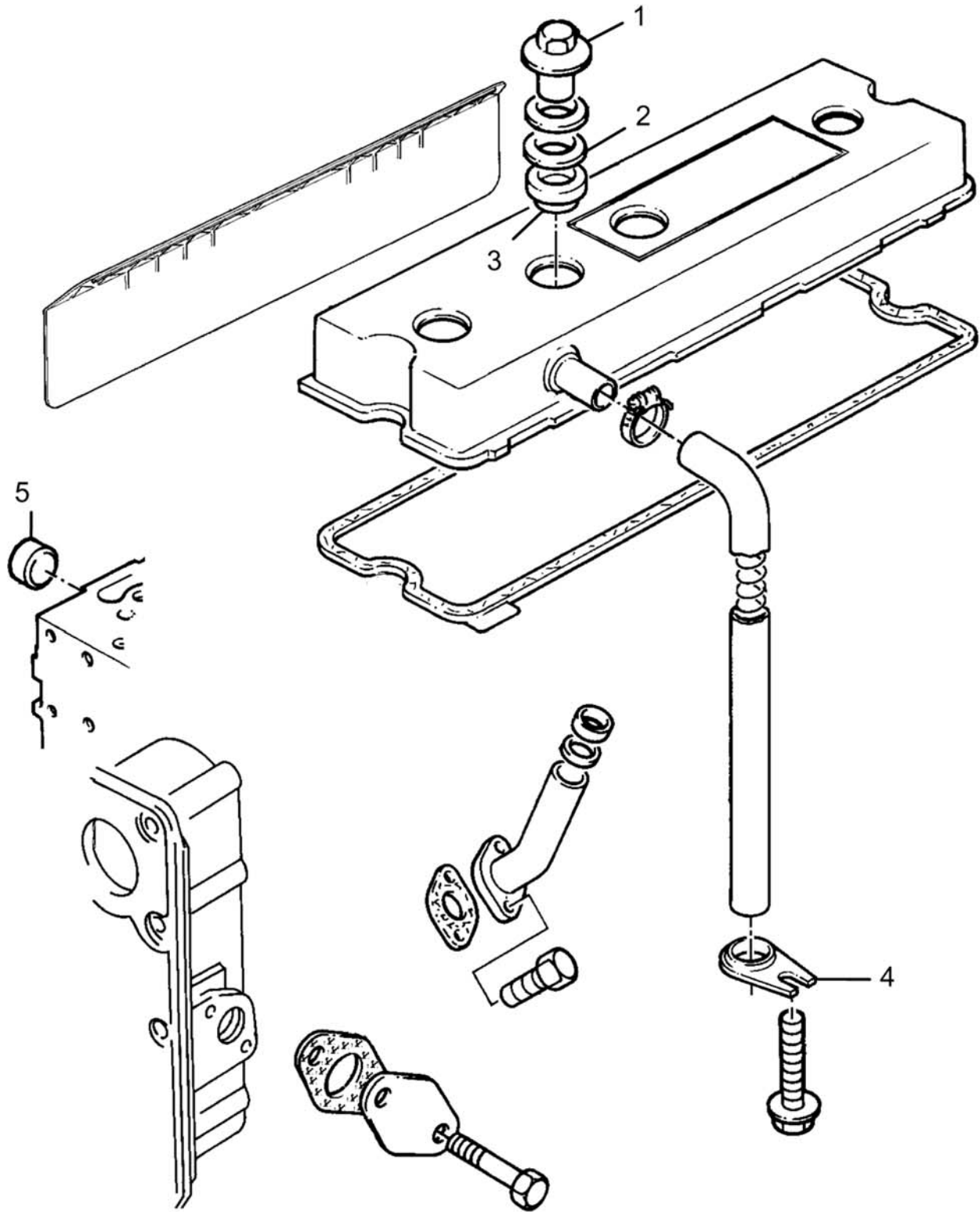
WR128145 - OIL FILTER ASSEMBLY



WR128145 - OIL FILTER ASSEMBLY

ITEM	PART #	QTY	DESCRIPTION	COMMENTS
1	3641097M1	1	FILLER	
3	3641889M1	1	CAP	
5	3637013M1	1	O-RING	
6	3637085M1	1	SCREW	
7	2314K166	1	SCREW	
8	6668508	1	JOINT	
9	WR128192	1	SPACER	
			ITEM 2: OIL FILLER CANNOT BE PURCHASED INDIVIDUALLY BUT IS INCLUDED WITH ITEM 1 FILLER.	
			ITEM 4: OIL FILLER CAP CANNOT BE PURCHASED INDIVIDUALLY BUT IS INCLUDED WITH ITEM 4.	
			ITEM 8: NO LONGER REQUIRED.	
			ITEM 10: JOINT SAME AS ITEM 8.	

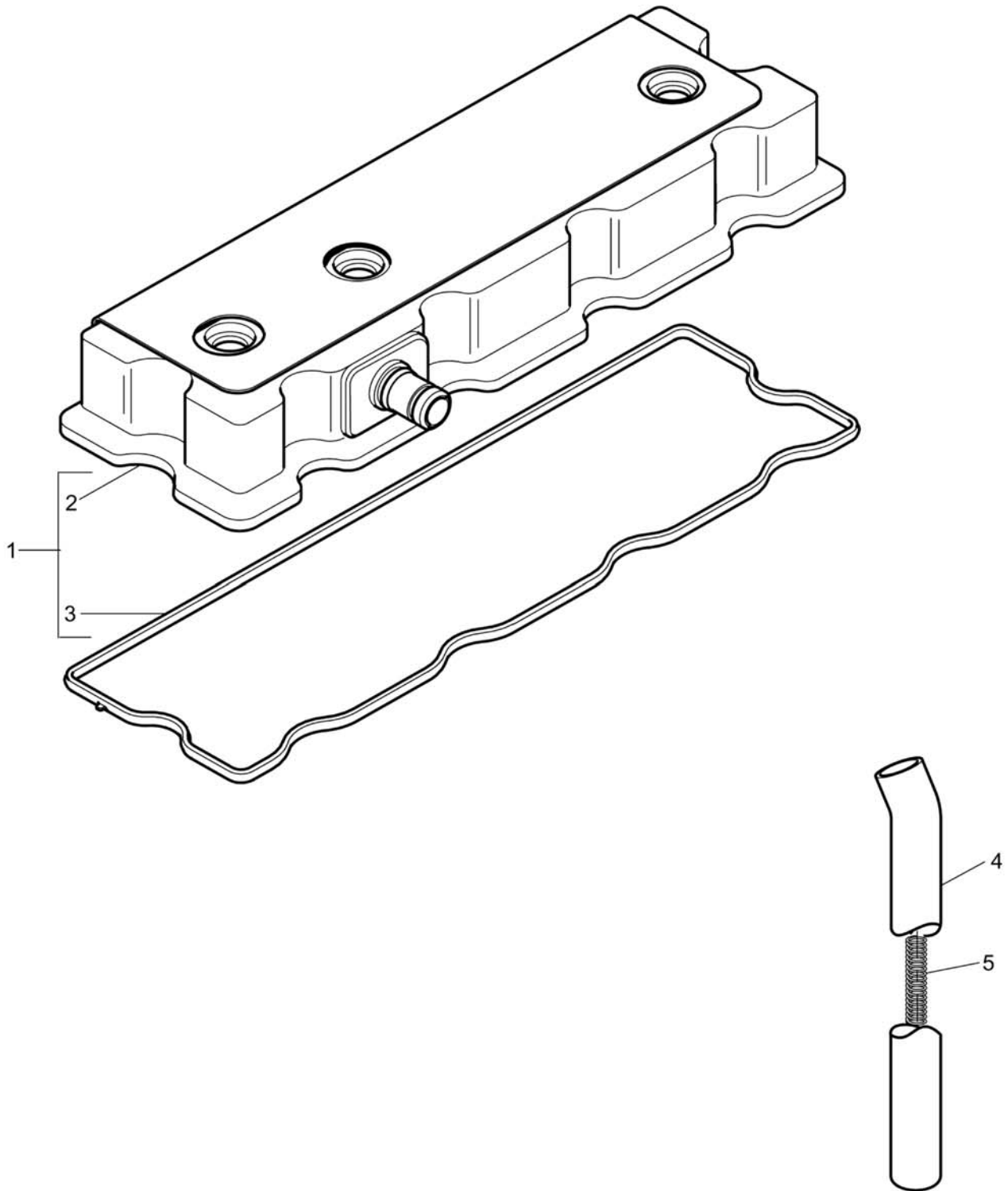
WR128146 - OIL BREATHER ASSEMBLY



WR128146 - OIL BREATHER ASSEMBLY

ITEM	PART #	QTY	DESCRIPTION	COMMENTS
1	4223958M1	3	NUT	
2	7000008	3	WASHER	
3	3638640M1	3	SEAL	
4	745489M1	1	BRACKET	
5	WR128193	1	PLUG	

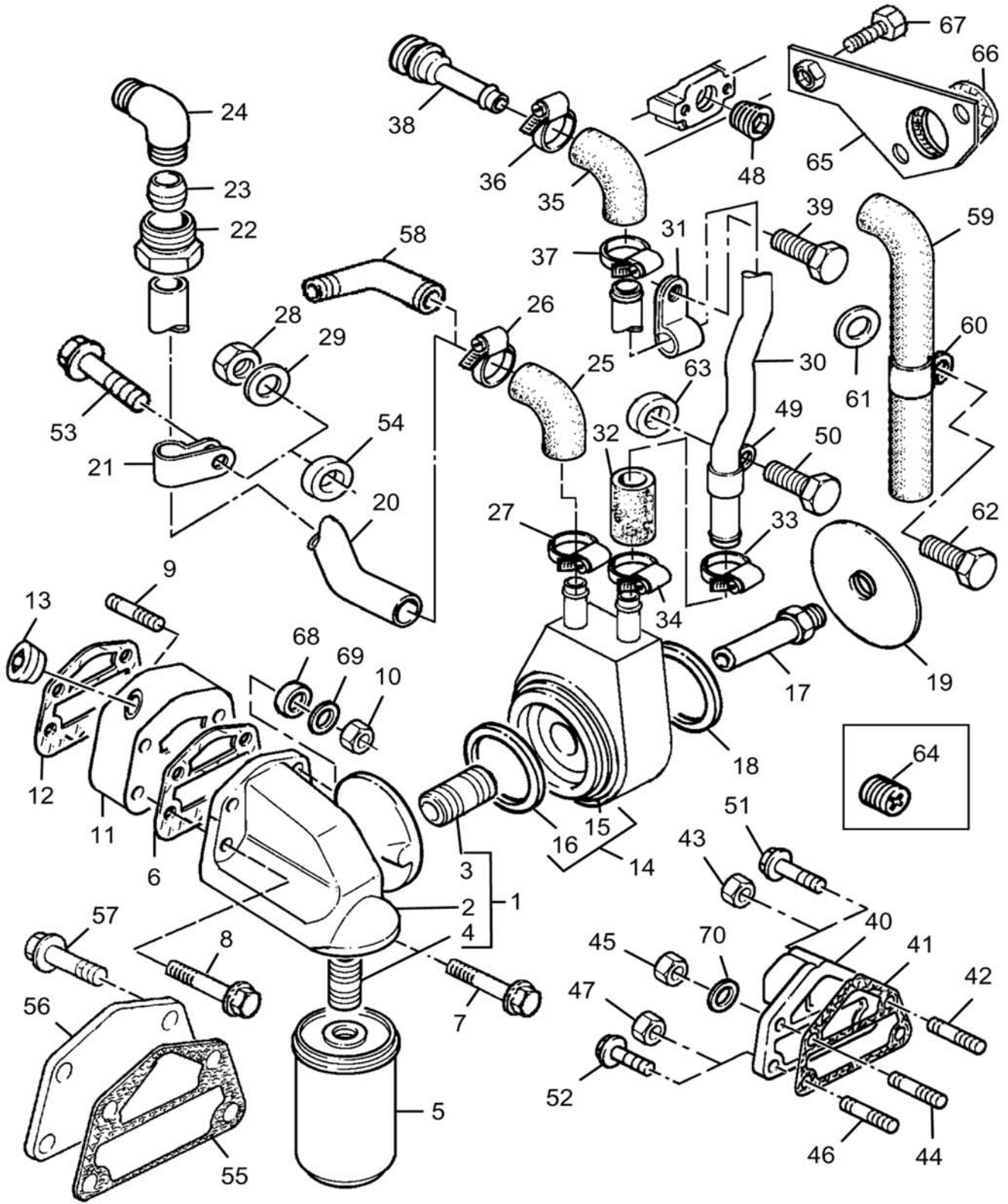
WR128147 - VALVE COVER/BREATHER HOSE ASSY



WR128147 - VALVE COVER/BREATHER HOSE ASSY

ITEM	PART #	QTY	DESCRIPTION	COMMENTS
1	WR128194	1	CYLINDER HEAD COVER ASSY	
3	4224452M91	1	ROCKER COVER JOINT	
4	WR128195	1	HOSE	
5	4223485M1	1	SPRING	
			ITEM 2: CYLINDER HEAD COVER CANNOT BE PURCHASED INDIVIDUALLY BUT IS INCLUDED WITH THE CYLINDER HEAD ASSEMBLY.	

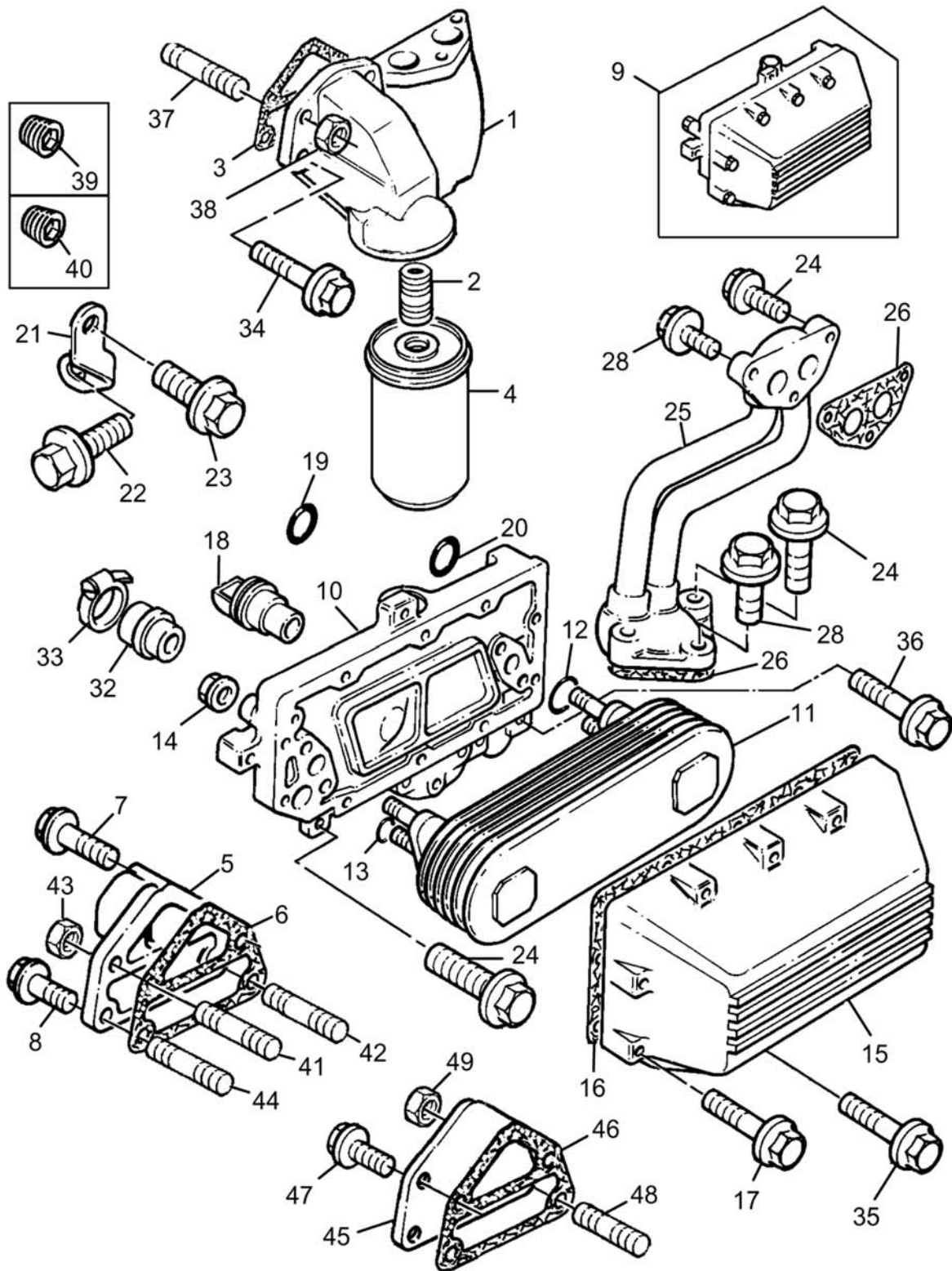
WR128148 - OIL FILTER & COOLER ASSEMBLY



WR128148 - OIL FILTER & COOLER ASSEMBLY

ITEM	PART #	QTY	DESCRIPTION	COMMENTS
40	3638707M1	1	ADAPTER	
41	3687W008	1	JOINT	
42	4224017M1	1	STUD	
43	6668313	1	NUT	
44	WR128196	1	STUD	
				ITEM 10: HOUSING CANNOT BE PURCHASED INDIVIDUALLY BUT IS INCLUDED WITH THE OIL COOLER.
				ITEMS 10 - 18 AND 35 ARE INCLUDED IN ITEM 9 OIL COOLER.

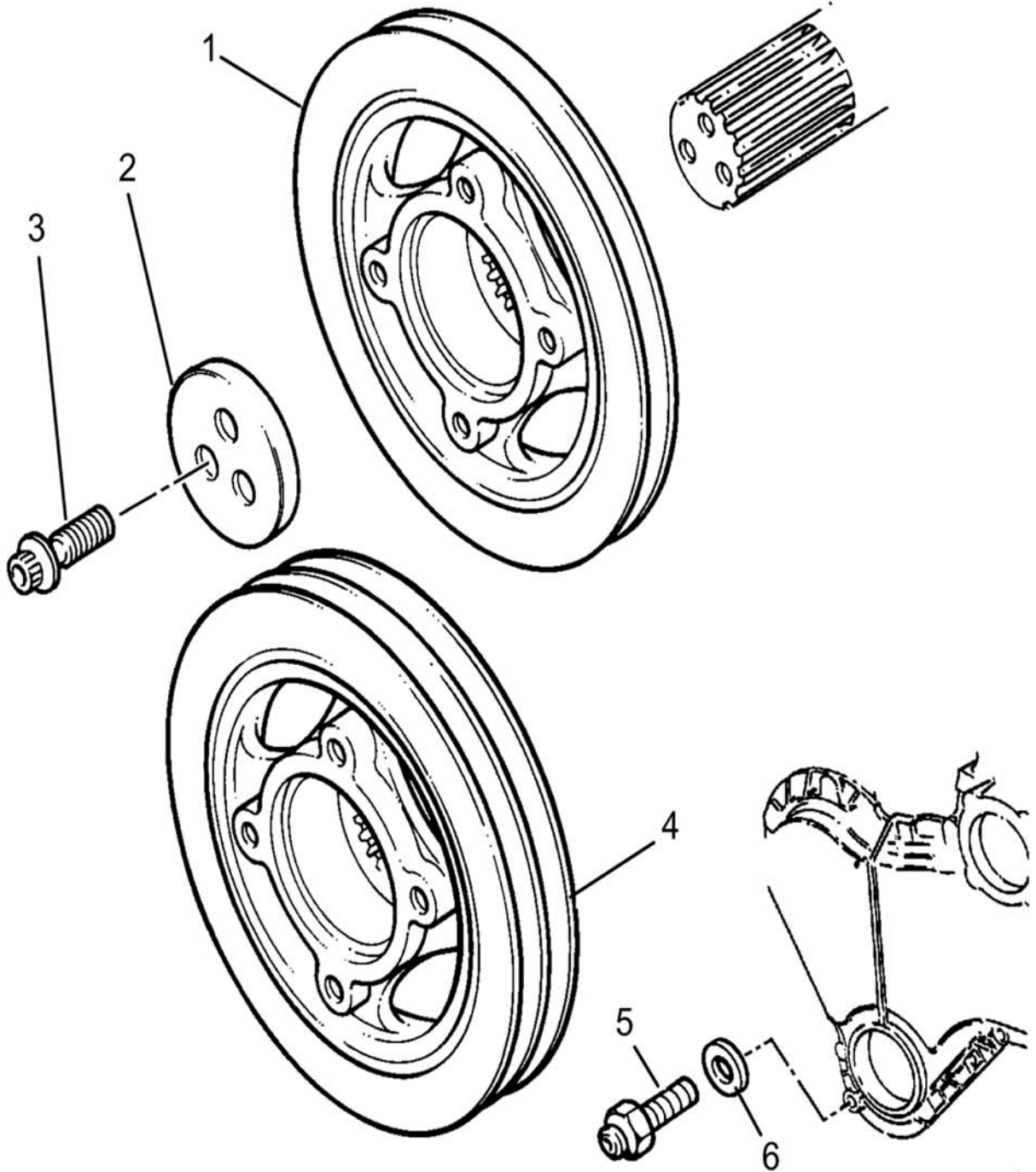
WR128149 - OIL FILTER & COOLER ASSEMBLY



WR128149 - OIL FILTER & COOLER ASSEMBLY

ITEM	PART #	QTY	DESCRIPTION	COMMENTS
1	6668514	1	OIL FILTER HEAD	
2	6668515	1	CONNECTOR	
3	3687W008	1	JOINT	
4	2654407N1	1	OIL FILTER	
9	6668516	1	OIL COOLER	
11	6668517	1	OIL COOLER	
12	3638532M1	2	O-RING	
13	3637198M1	4	O-RING	
14	6668520	4	NUT	
15	6668521	1	COVER	
16	4223642M1	1	JOINT	
17	6668523	8	SCREW	
18	6668524	1	CONNECTION	
19	6668525	1	O-RING	
20	6668526	1	O-RING	
21	6668527	1	BRACKET	
22	3637044M1	1	SCREW	
23	3637139M1	1	SCREW	
24	6668482	6	SCREW	
25	6668528	1	OIL PIPE	
26	6668529	2	GASKET-MANIFOLD	
28	6668268	2	SCREW	
32	6668530	1	CONNECTION	
33	3638805M1	1	CLIP	
34	3637104M1	4	SCREW	
35	6668533	2	SCREW	
36	3637048M1	2	SCREW	

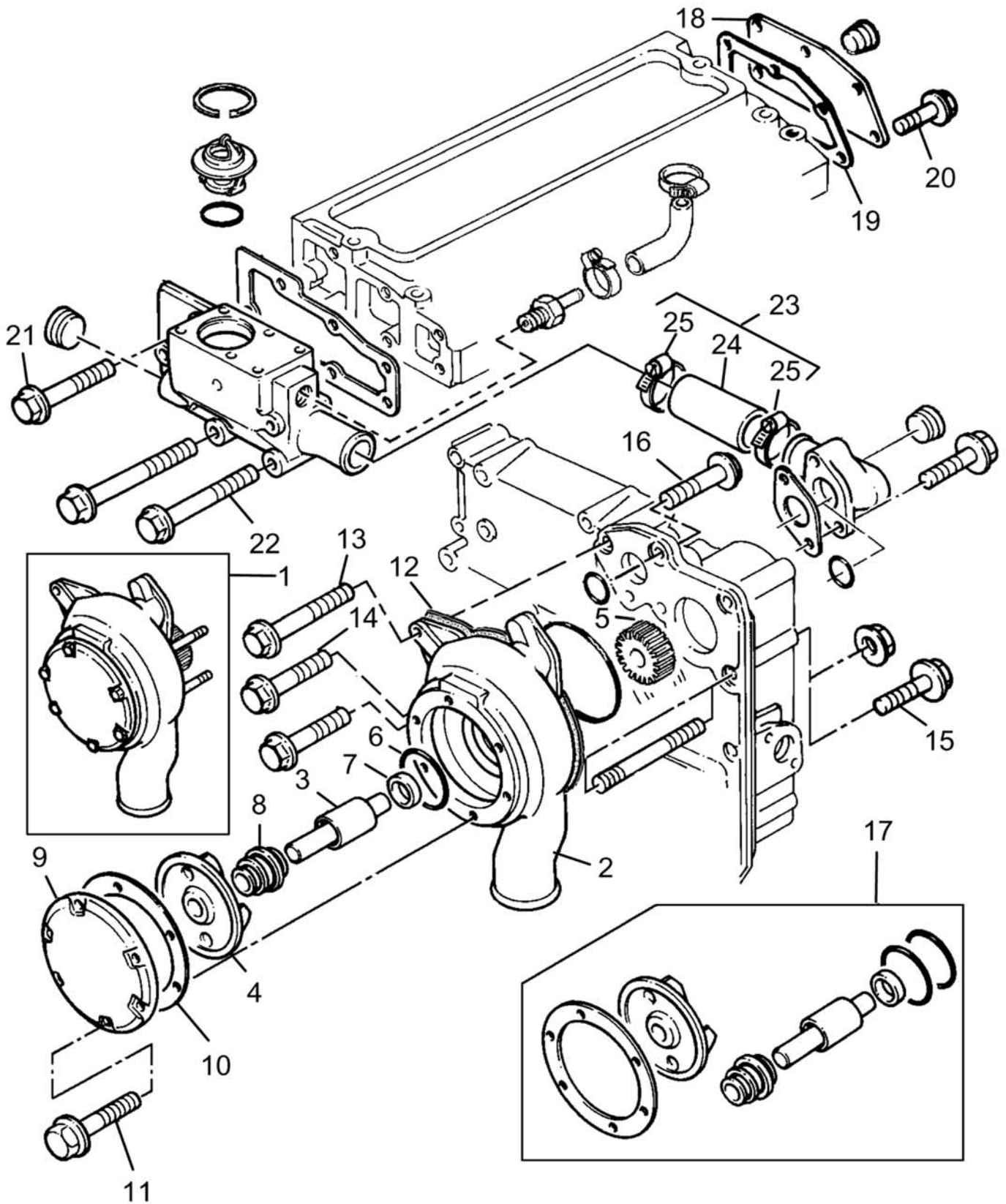
WR128150 - FRONT END DRIVE INPUT



WR128150 - FRONT END DRIVE INPUT

ITEM	PART #	QTY	DESCRIPTION	COMMENTS
1	6668535	1	CRANKSHAFT PULLEY	
2	6668536	1	BLOCK	
3	748074M1	3	SCREW	

WR128151 - COOLING ASSEMBLY

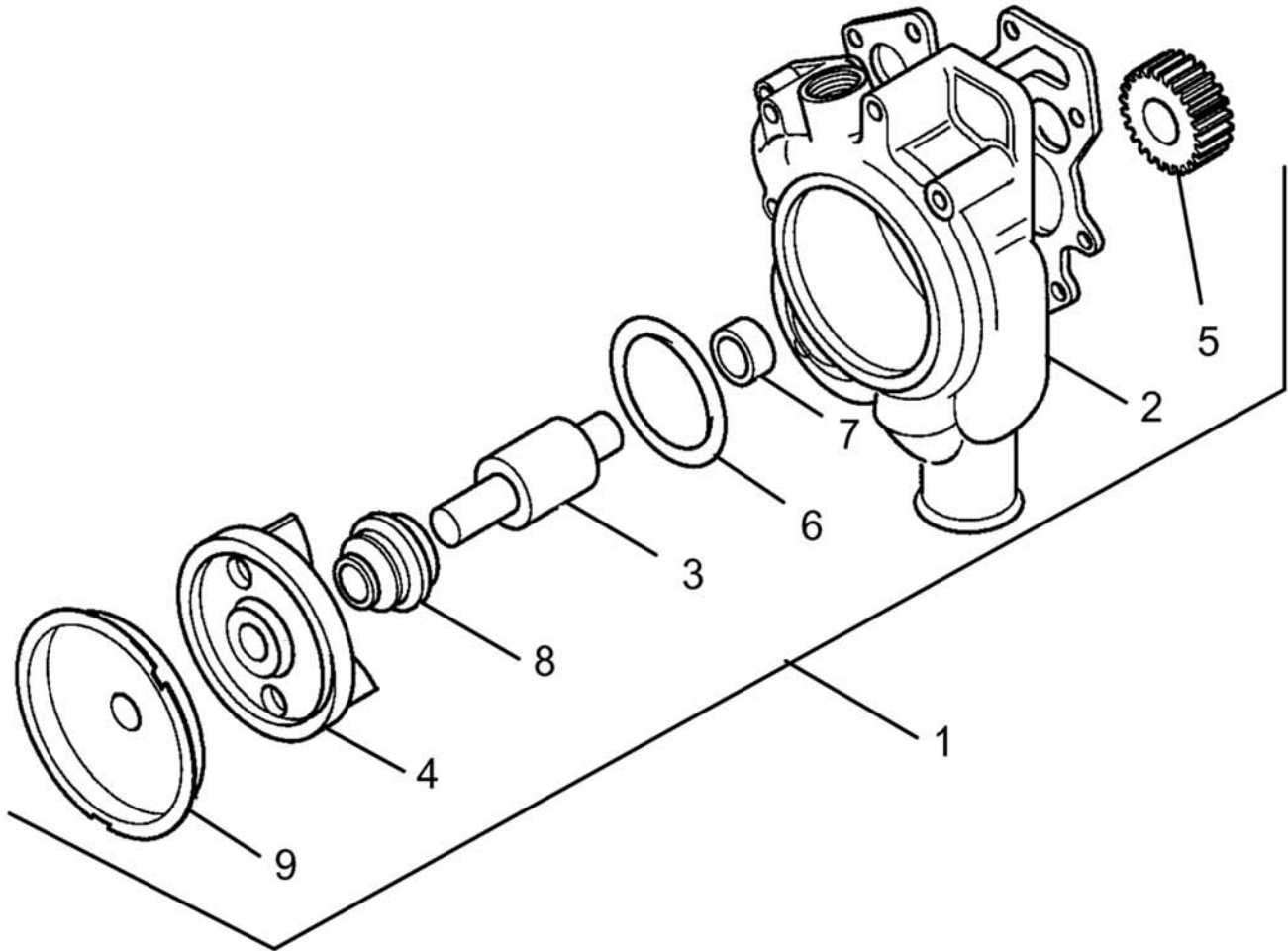


WR128151 - COOLING ASSEMBLY

ITEM	PART #	QTY	DESCRIPTION	COMMENTS
1	WR128152	1	WATER PUMP	SEE PAGE 6-24
12	4222849M1	1	JOINT	
13	6670943	3	SCREW	
14	6668258	3	SCREW	
15	3637216M1	2	SCREW	
16	4223102M1	1	SCREW	
17	WR128197	1	REPAIR KIT	
18	4222842M1	1	COVER	
19	WR128198	1	JOINT	
20	3637044M1	3	SCREW	
21	3637095M1	3	SCREW	
22	3637048M1	3	SCREW	
23	4222846M91	1	HOSE KIT	
25	3638597M1	2	CLIP	

ITEMS 2 - 12 ARE INCLUDED IN ITEM 1 WATER PUMP.
ITEM 24: HOSE CANNOT BE PURCHASED INDIVIDUALLY BUT IS INCLUDED IN THE HOSE KIT.
ITEMS 24 & 25 ARE INCLUDED IN THE HOSE KIT.

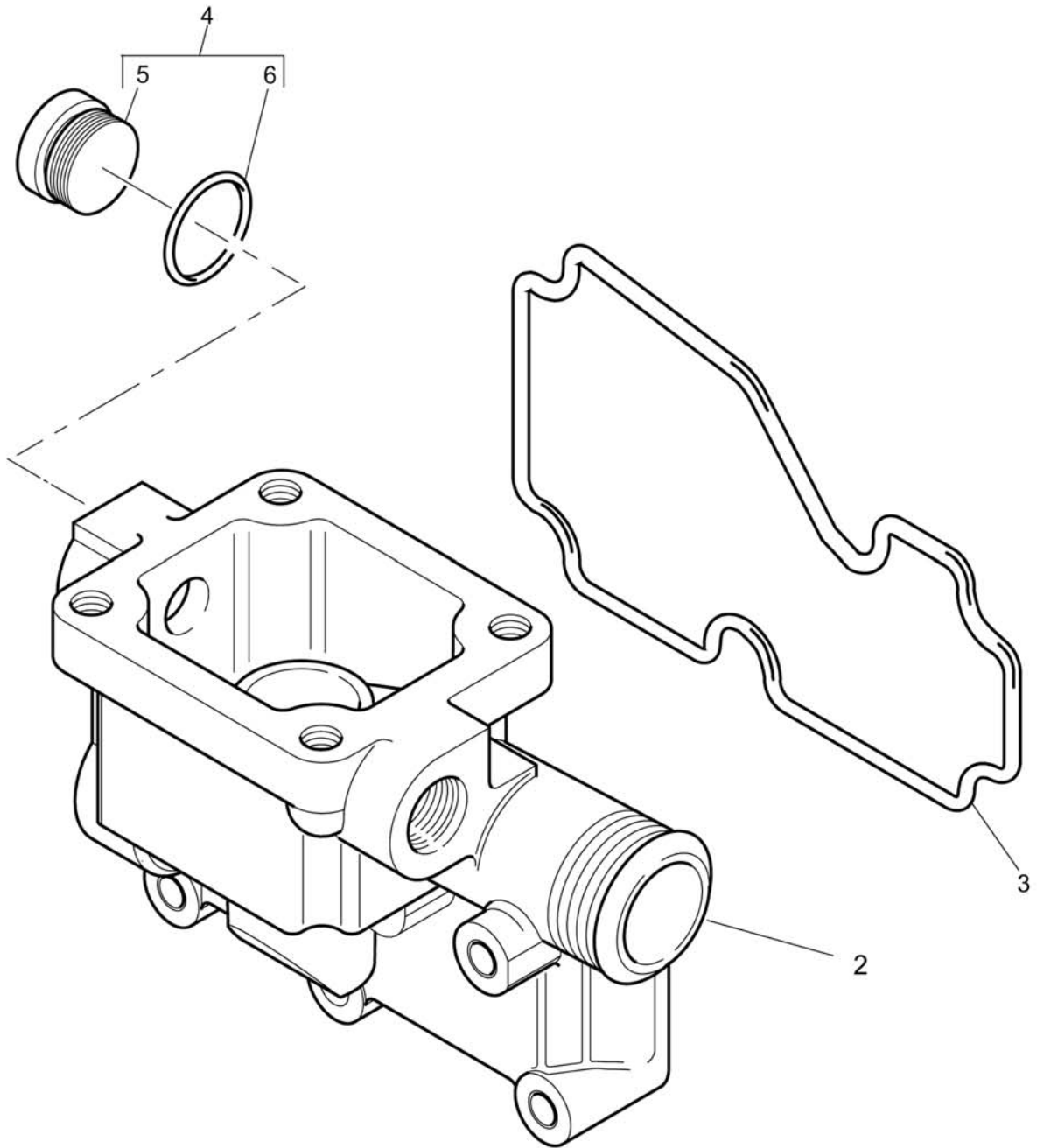
WR128152 - WATER PUMP



WR128152 - WATER PUMP

ITEM	PART #	QTY	DESCRIPTION	COMMENTS
0	WR128197	-	REPAIR KIT ITEM 1: WATER PUMP WR128152. ITEMS 2 - 9 ARE INCLUDED IN THE WATER PUMP. ITEM 2: HOSE ITEM 3: BODY ITEM 4: SHAFT ITEM 5: IMPELLER ITEM 6: GEAR ITEM 7: SEAL ITEM 8: SEAL ITEM 9: SEAL	

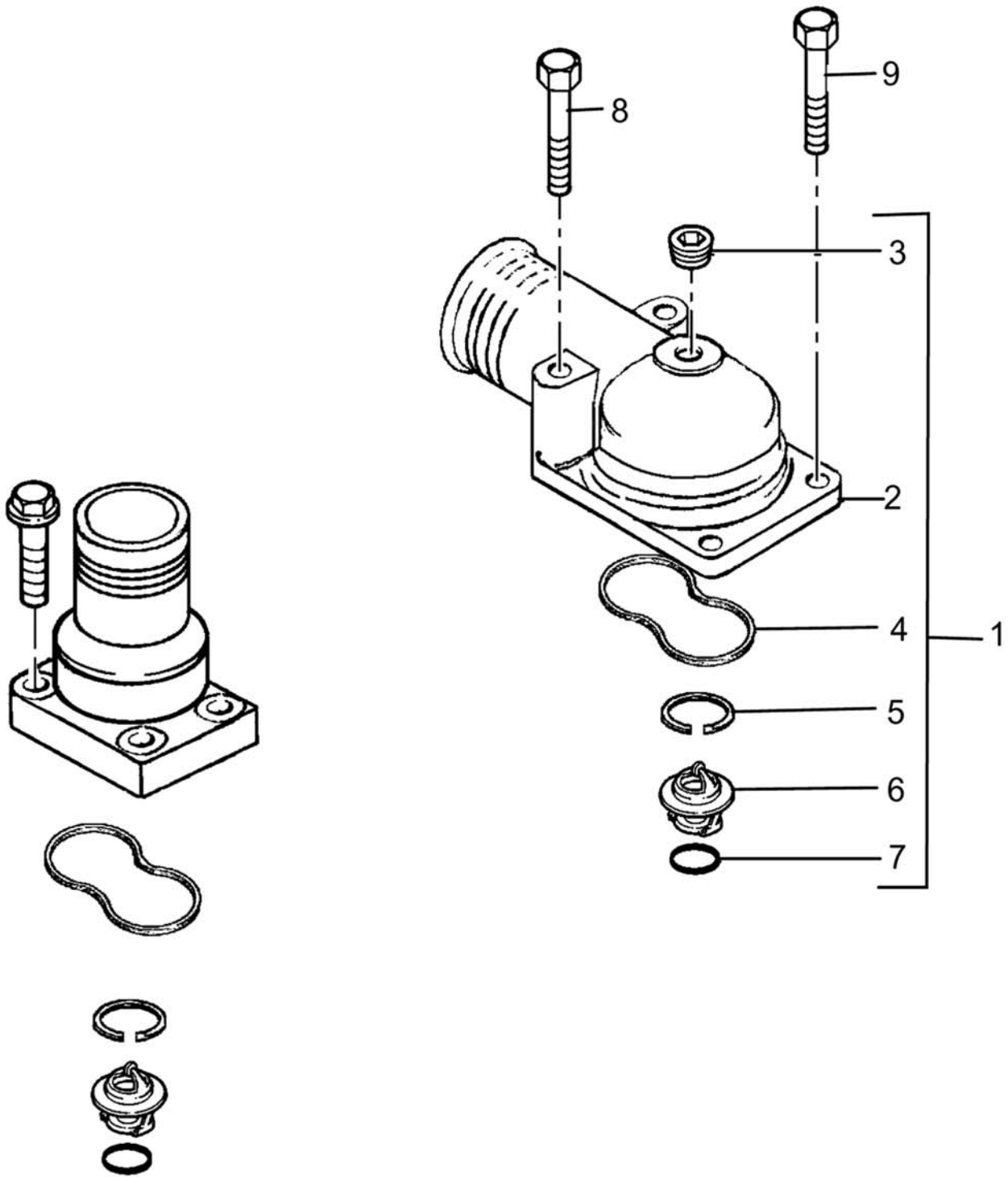
WR128153 - THERMOSTAT HOUSING ASSEMBLY



WR128153 - THERMOSTAT HOUSING ASSEMBLY

ITEM	PART #	QTY	DESCRIPTION	COMMENTS
3	WR128199	1	JOINT	
4	WR128200	1	PLUG	
6	WR128201	1	O-RING	
			ITEM 2 CANNOT BE PURCHASED INDIVIDUALLY BUT IS INCLUDED IN THE THERMOSTAT HOUSING.	
			ITEM 2: THERMOSTAT HOUSING	
			ITEM 5: PLUG SAME AS ITEM 4 PLUG.	

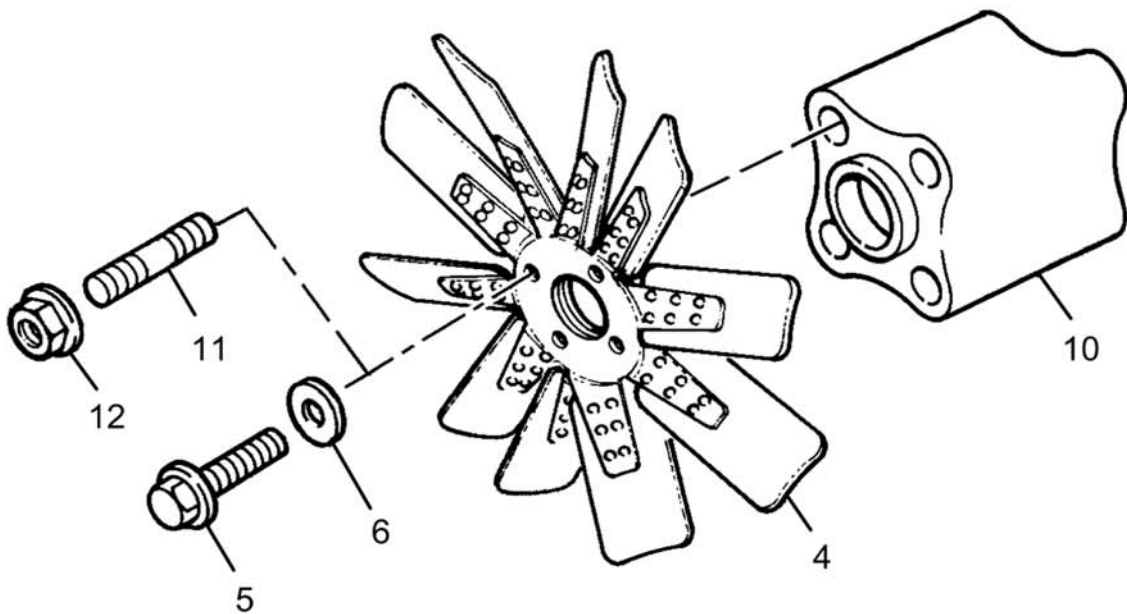
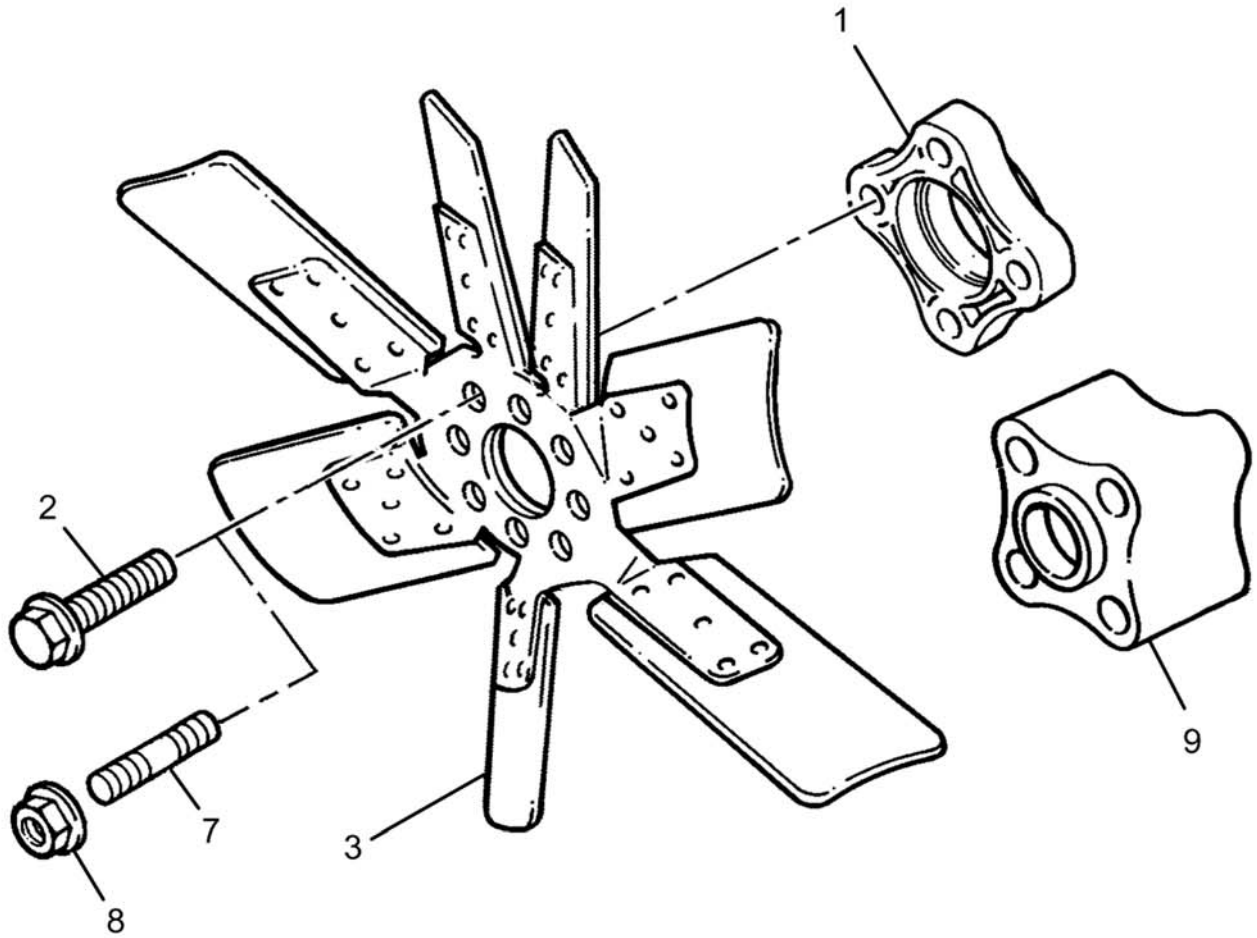
WR128154 - WATER OUTLET & INLET



WR128154 - WATER OUTLET & INLET

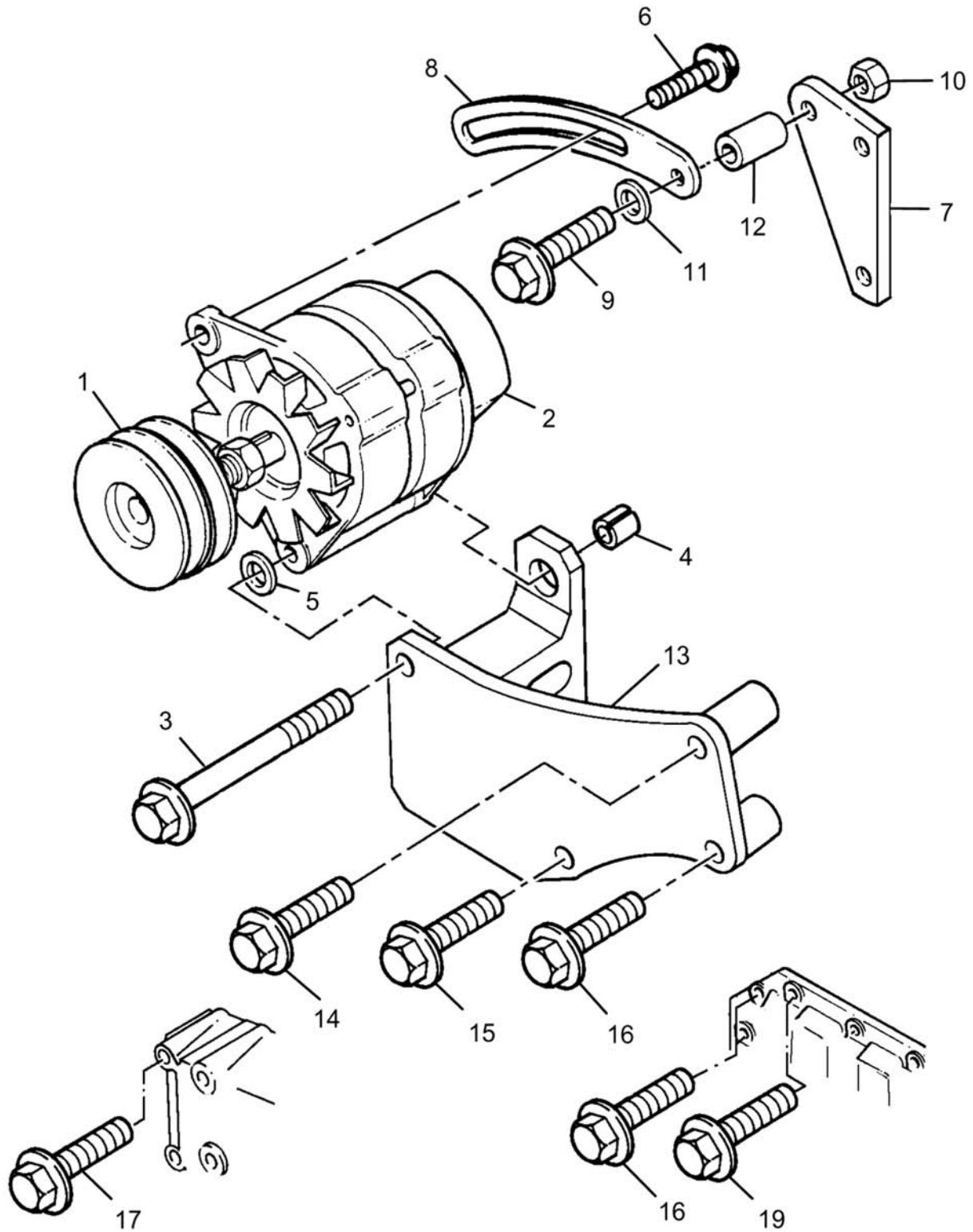
ITEM	PART #	QTY	DESCRIPTION	COMMENTS
1	WR128202	1	CONNECTION	
3	4223843M1	1	PLUG	
4	WR128203	1	O-RING	
5	4223841M1	1	RING	
6	WR128204	1	THERMOSTAT	
7	4222848M1	1	O-RING	
8	3637095M1	2	SCREW	
9	6668278	2	SCREW	
			ITEM 2 CANNOT BE PURCHASED INDIVIDUALLY BUT IS IS INCLUDED IN THE CONNECTION ASSEMBLY.	
			ITEMS 2 - 7 ARE INCLUDED IN THE CONNECTION ASSEMBLY	
			ITEM 2: CONNECTION	
			ITEM 3: PLUG	
			ITEM 4: O-RING	
			ITEM 5: RING	
			ITEM 6: THERMOSTAT	
			ITEM 7: O-RING	

WR128155 - FAN & EXTENSION ASSEMBLY



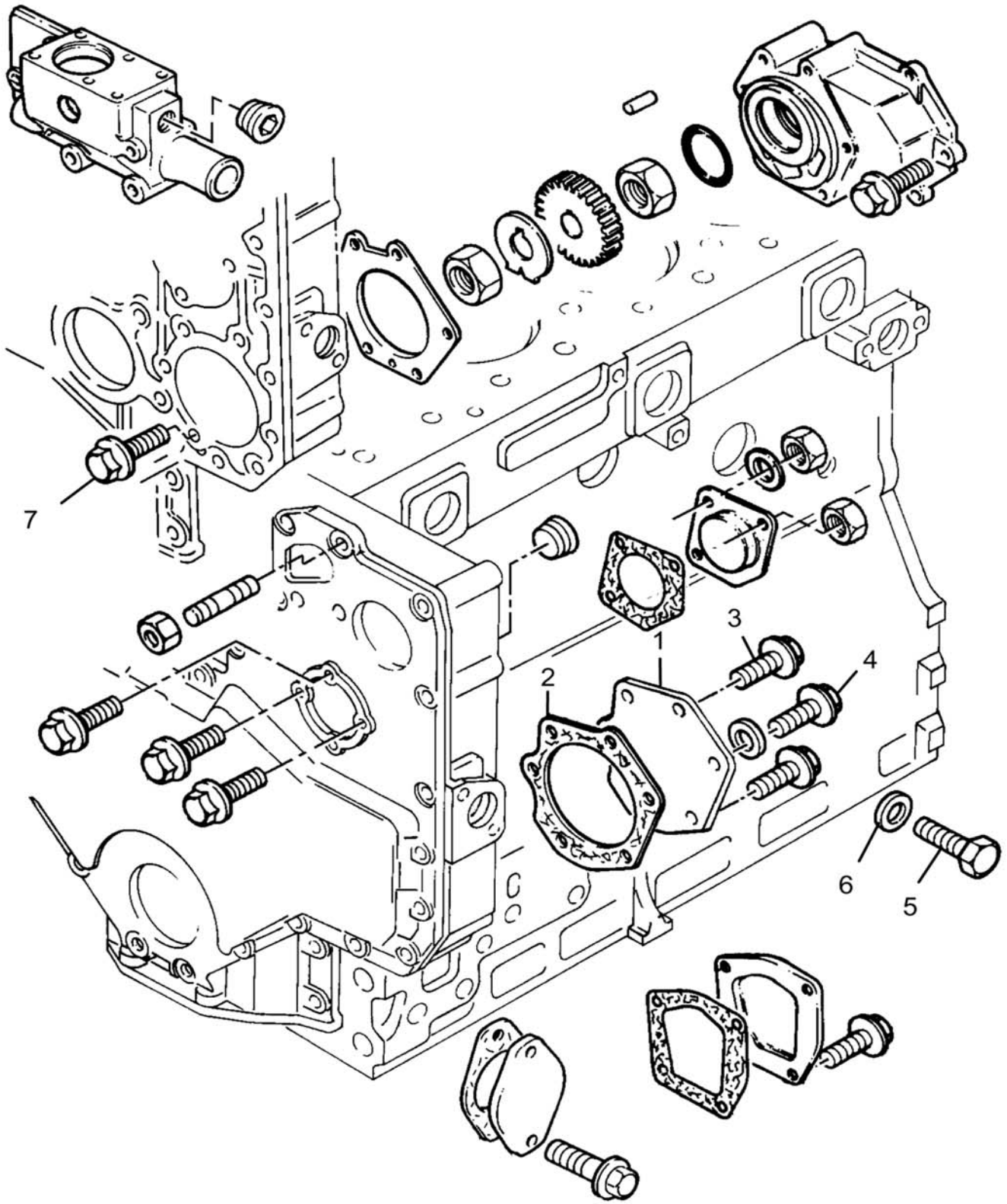
WR128155 - FAN & EXTENSION ASSEMBLY

ITEM	PART #	QTY	DESCRIPTION	COMMENTS
7	6670650	4	STUD	
8	6514984	4	NUT	
9	6670651	1	EXTENSION	



WR128156 - ALTERNATOR & GENERATOR INSTL

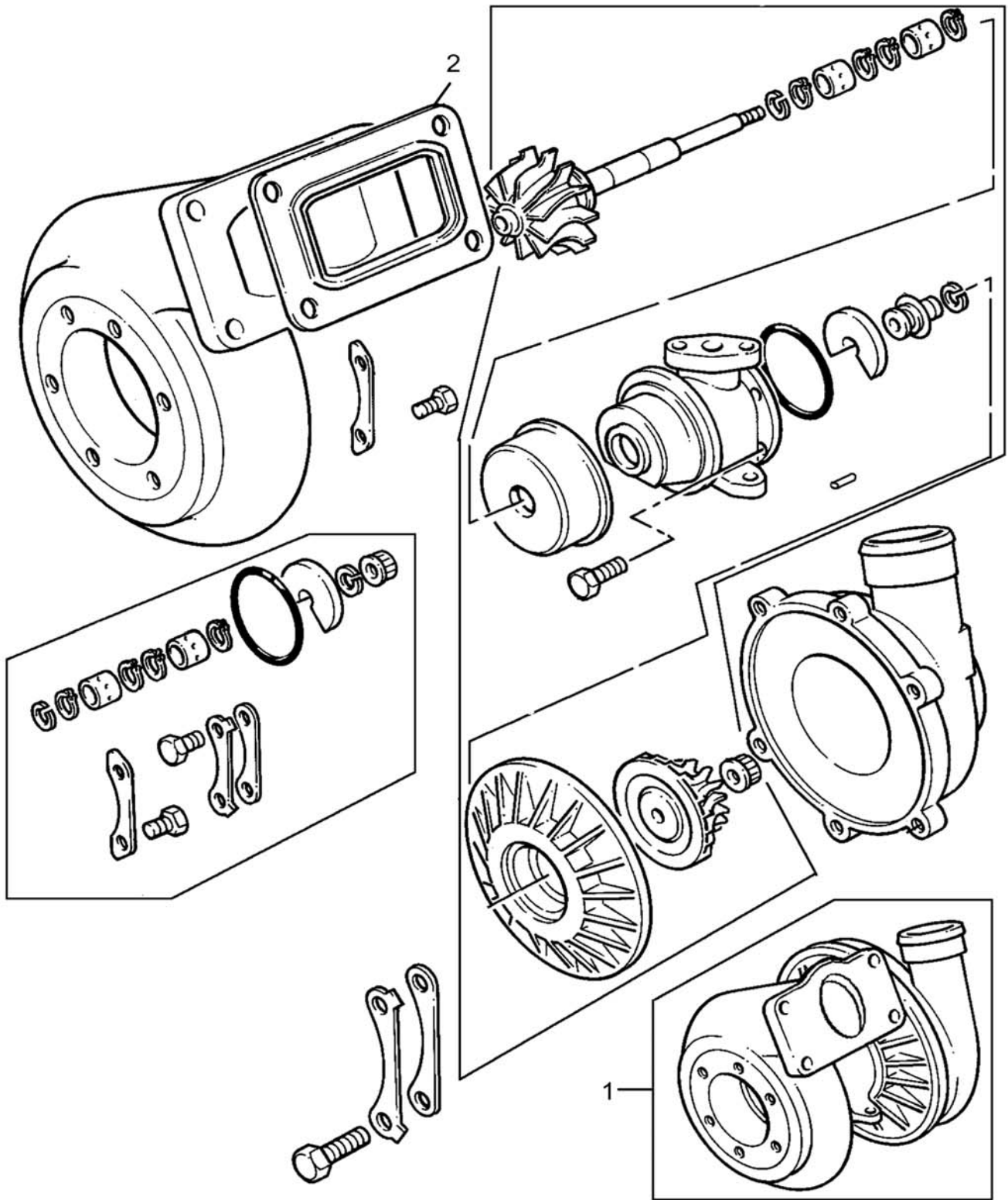
ITEM	PART #	QTY	DESCRIPTION	COMMENTS
3	3638441M1	1	SCREW	
4	6669683	1	SLEEVE-ALTERNATOR	
5	1476188X1	1	WASHER	
6	3637051M1	1	SCREW	
15	3637085M1	4	SCREW	
16	6668268	2	SCREW	
17	3637095M1	2	SCREW	
19	6670960	1	SCREW	



WR128157 - AUXILLARY DRIVE OPTION

ITEM	PART #	QTY	DESCRIPTION	COMMENTS
1	4222176M1	1	PLATE	
2	WR128205	1	JOINT	
3	3641755M1	5	SCREW	
4	3637139M1	1	SCREW	
5	3638809M1	1	SCREW	
6	WR128206	1	WASHER/PLAIN	
7	3637053M1	1	SCREW	

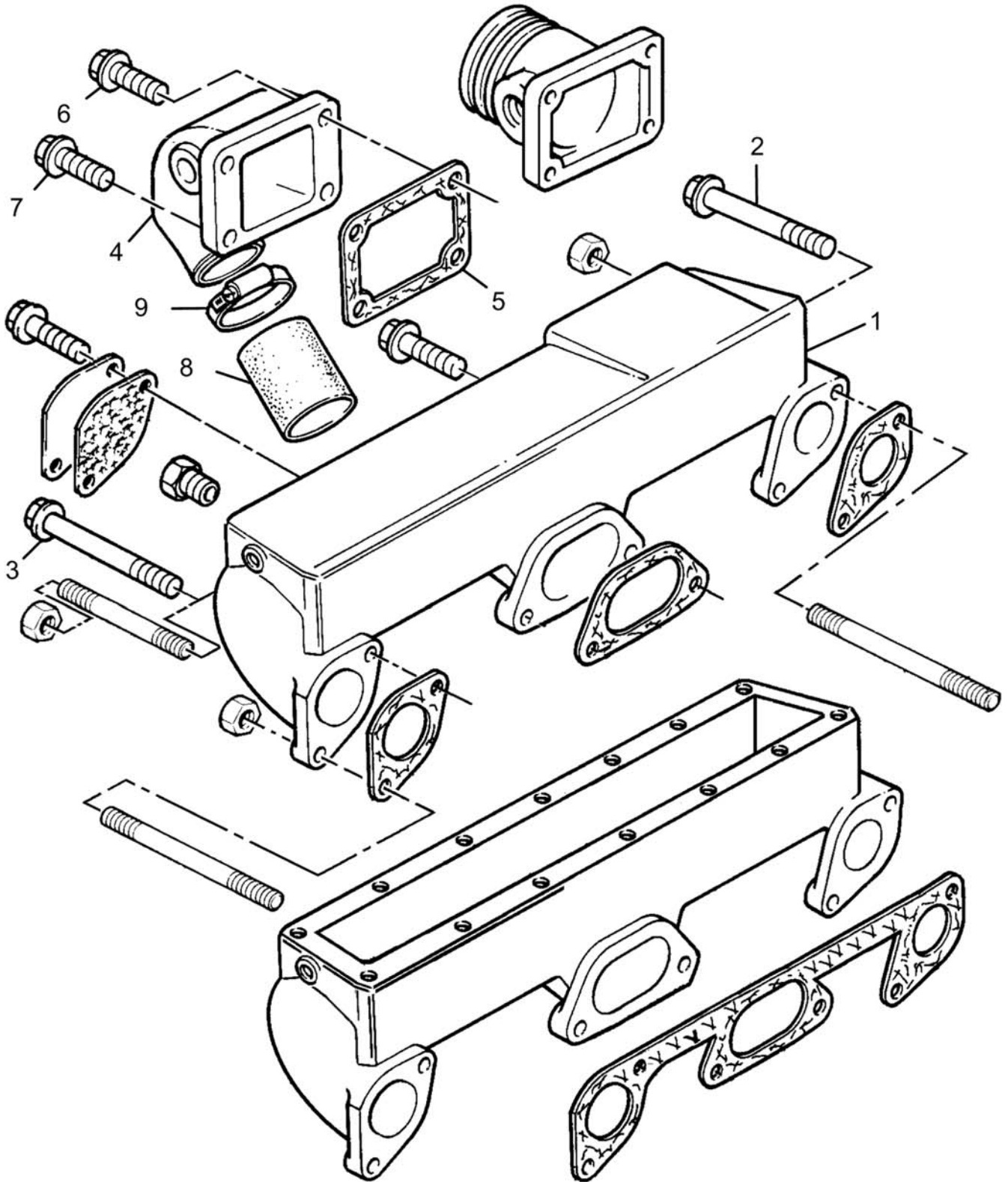
WR128158 - TURBOCHARGER ASSEMBLY



WR128158 - TURBOCHARGER ASSEMBLY

ITEM	PART #	QTY	DESCRIPTION	COMMENTS
1	WR128207	1	TURBOCHARGER	
2	4224185M1	1	GASKET	
			NOT USED ON MACHINES 3640JNES110, 4440JN7M104, 4440JN8M103, 4640JN8M114, 4440JN7A101, 4440JN8A103, 4640JN8A105 OR LATER.	

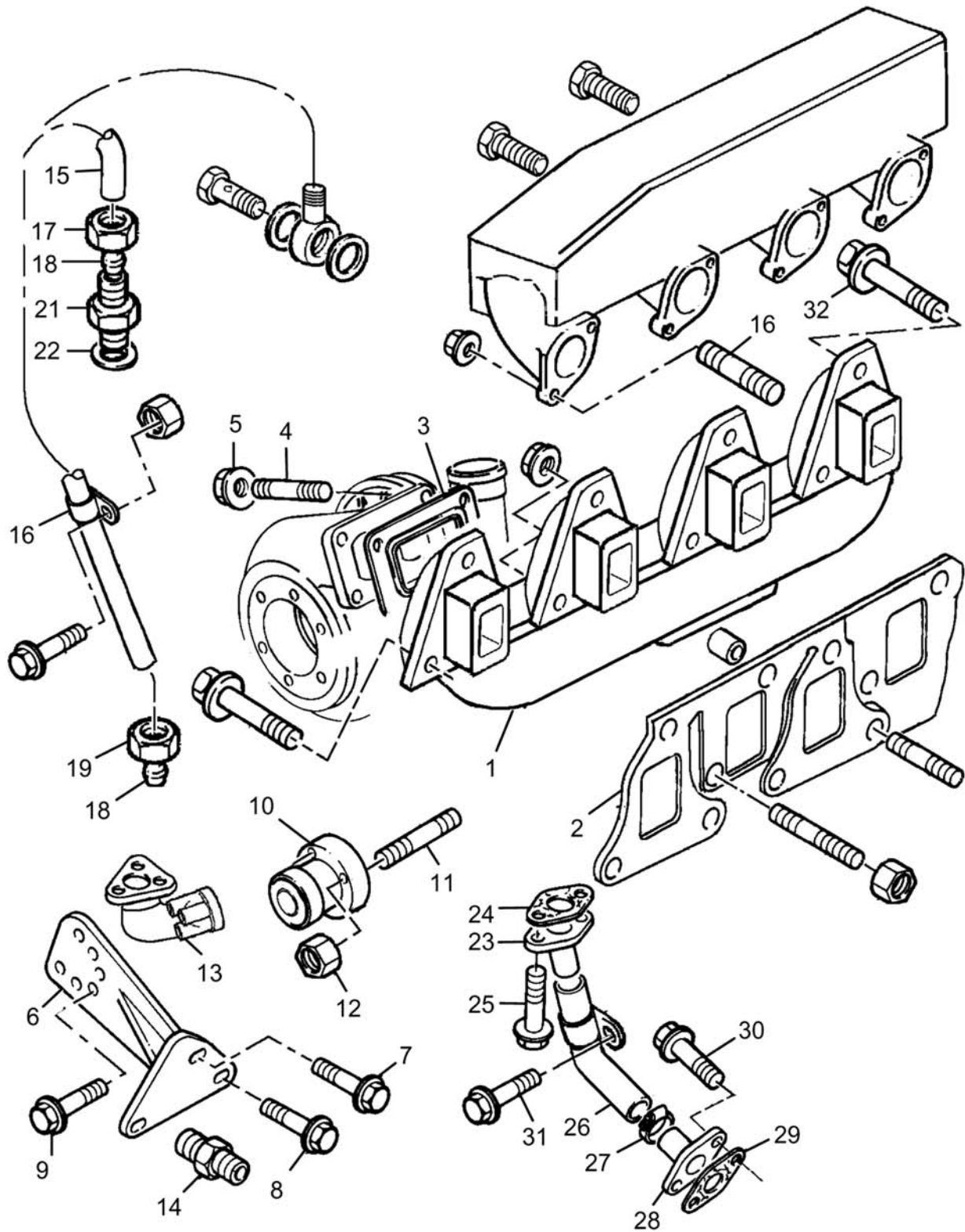
WR128159 - TURBO MANIFOLD & COOLER ASM



WR128159 - TURBO MANIFOLD & COOLER ASM

ITEM	PART #	QTY	DESCRIPTION	COMMENTS
0	4222290M1	4	SCREW	
1	4223993M1	1	INDUCTION MANIFOLD	
3	6670943	4	SCREW	
4	6672787	1	ELBOW	
5	6671011	1	JOINT	
8	4224519M1	1	HOSE KIT	
9	4223936M1	2	HOSE CLIP	
			ITEM 9 IS INCLUDED WITH HOSE KIT	

WR128160 - TURBO MANIFOLD & COOLER ASM



WR128160 - TURBO MANIFOLD & COOLER ASM

ITEM	PART #	QTY	DESCRIPTION	COMMENTS
1	WR55617	1	MANIFOLD-EXHAUST,CE ENG	
2	4223727M1	2	EXHAUST MANIFOLD GASKET	
3	4224185M1	1	GASKET	
4	4222876M1	4	STUD	
5	6668569	4	NUT	
6	6670972	1	BRACKET	
7	3637008M1	1	SCREW	
8	3637139M1	2	SCREW	
9	3637051M1	3	SCREW	
10	6670973	1	ADAPTER	
11	4223564M1	3	STUD	
12	3604347M1	3	NUT	
13	6671008	1	ELBOW	
14	6670974	1	CONNECTION	
15	6670975	1	OIL PIPE	
16	747679M1	1	CLIP	
17	4223883M1	1	NUT	
18	3490088B	2	OLIVE	
21	4222884M1	1	ADAPTER	
22	4222885M1	1	WASHER	
23	6670979	1	OIL PIPE	
24	4222881M1	1	JOINT	
25	3637247M1	2	SCREW	
26	4222749M1	1	HOSE	
27	3641405M1	2	CLIP	
28	6670982	1	OIL PIPE	
29	3638696M1	1	JOINT	
30	WR127425	2	SCREW	
31	3637044M1	1	SCREW	
32	4222854M1	12	SCREW	

ITEMS 16-20 ARE INCLUDED WITH OIL PIPE.

ITEM 16: CLIP

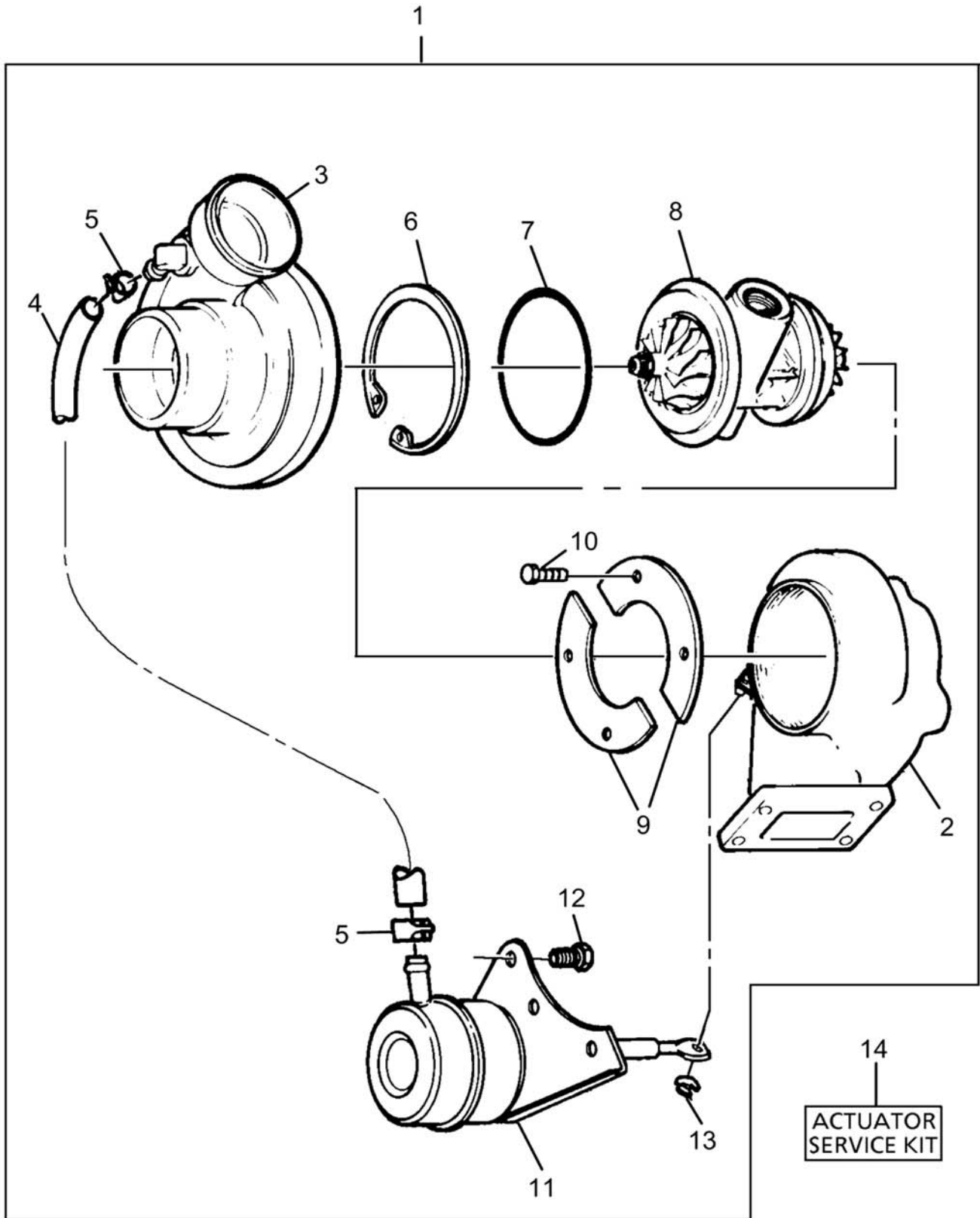
ITEM 17: NUT

ITEM 18: OLIVE

ITEM 19: SAME AS ITEM 17

ITEM 19: NUT

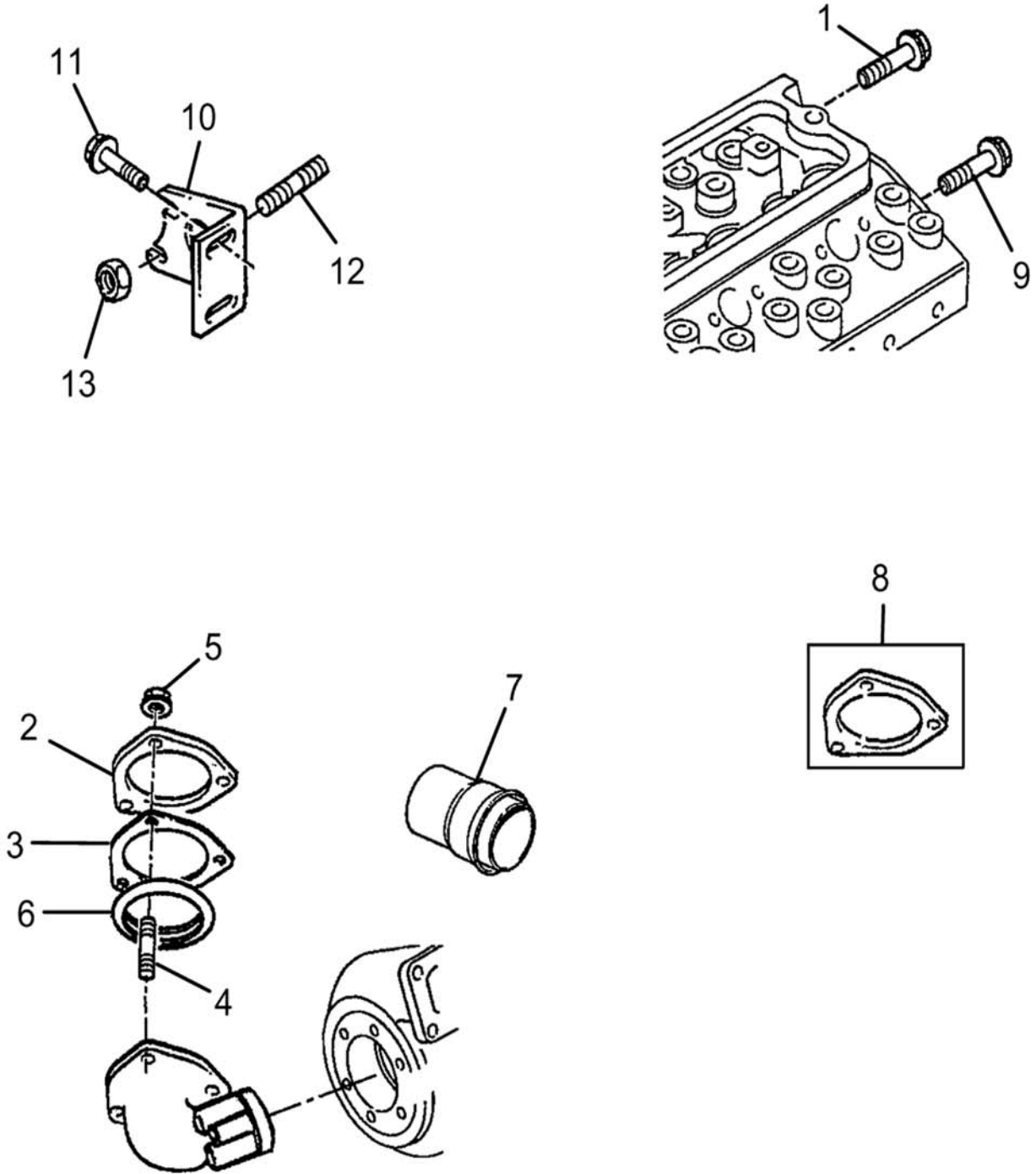
ITEM 20: OLIVE



WR128161 - TURBO/ACTUATOR ASM

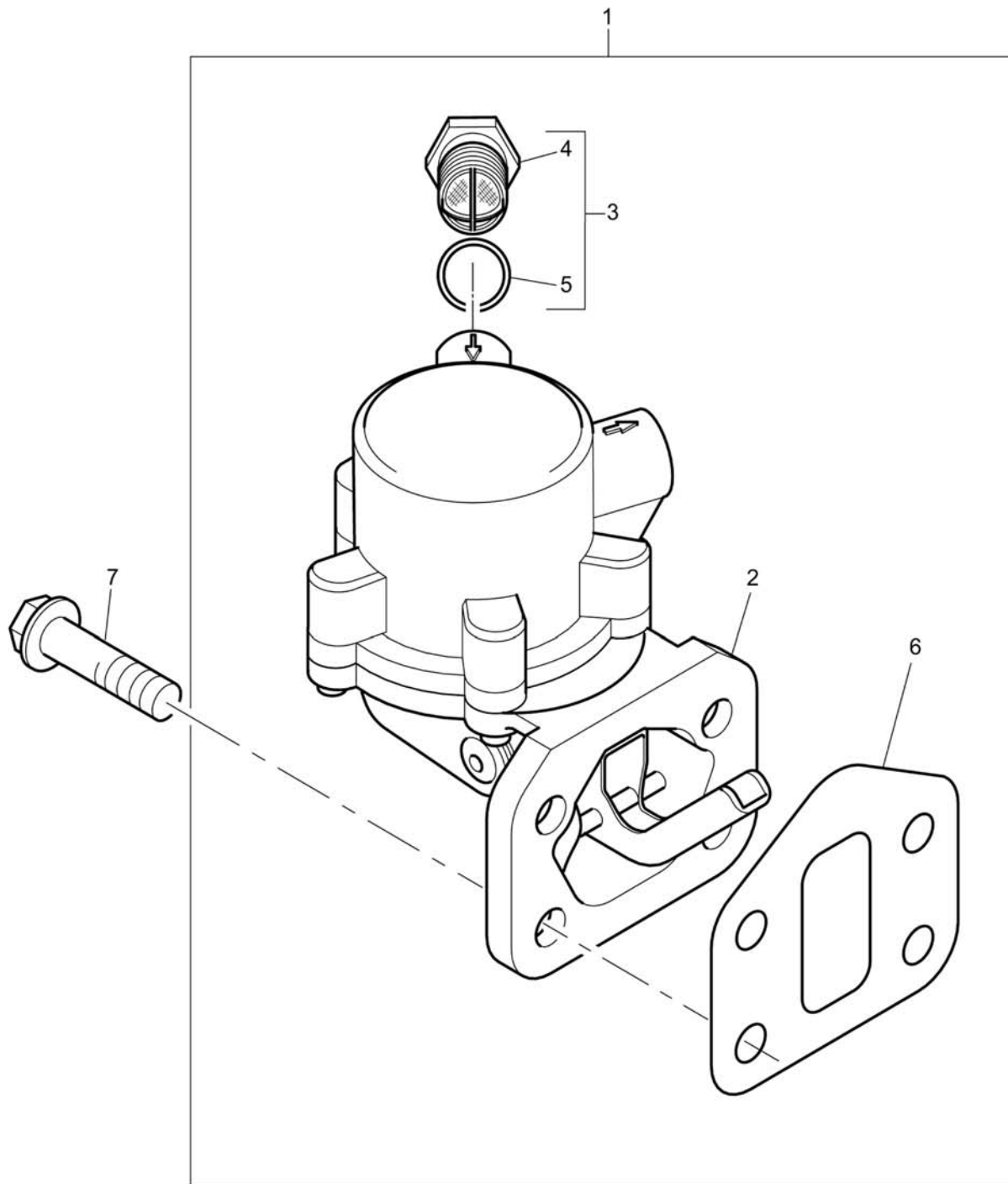
ITEM	PART #	QTY	DESCRIPTION	COMMENTS
1	WR128207	1	TURBOCHARGER	
2	4223979M1	1	HOUSING	
3	4223980M1	1	HOUSING	
4	4223984M1	1	HOSE	
8	4223987M1	8	INLET VALVE GUIDE	
11	4223981M1	1	ACTUATOR	
14	4223983M91	1	REPAIR KIT-ACTUATOR	
15	4223982M91	1	REPAIR KIT-TURBO	
			ITEMS 2, 3, 4, 8 & 11 ARE INCLUDED WITH THE TURBOCHARGER.	
			ITEM 2: HOUSING	
			ITEM 3: HOUSING	
			ITEM 4: HOSE	
			ITEM 8: CORE	
			ITEM 11: ACTUATOR	

WR128162 - REMOTE AIR CHARGE COOLER



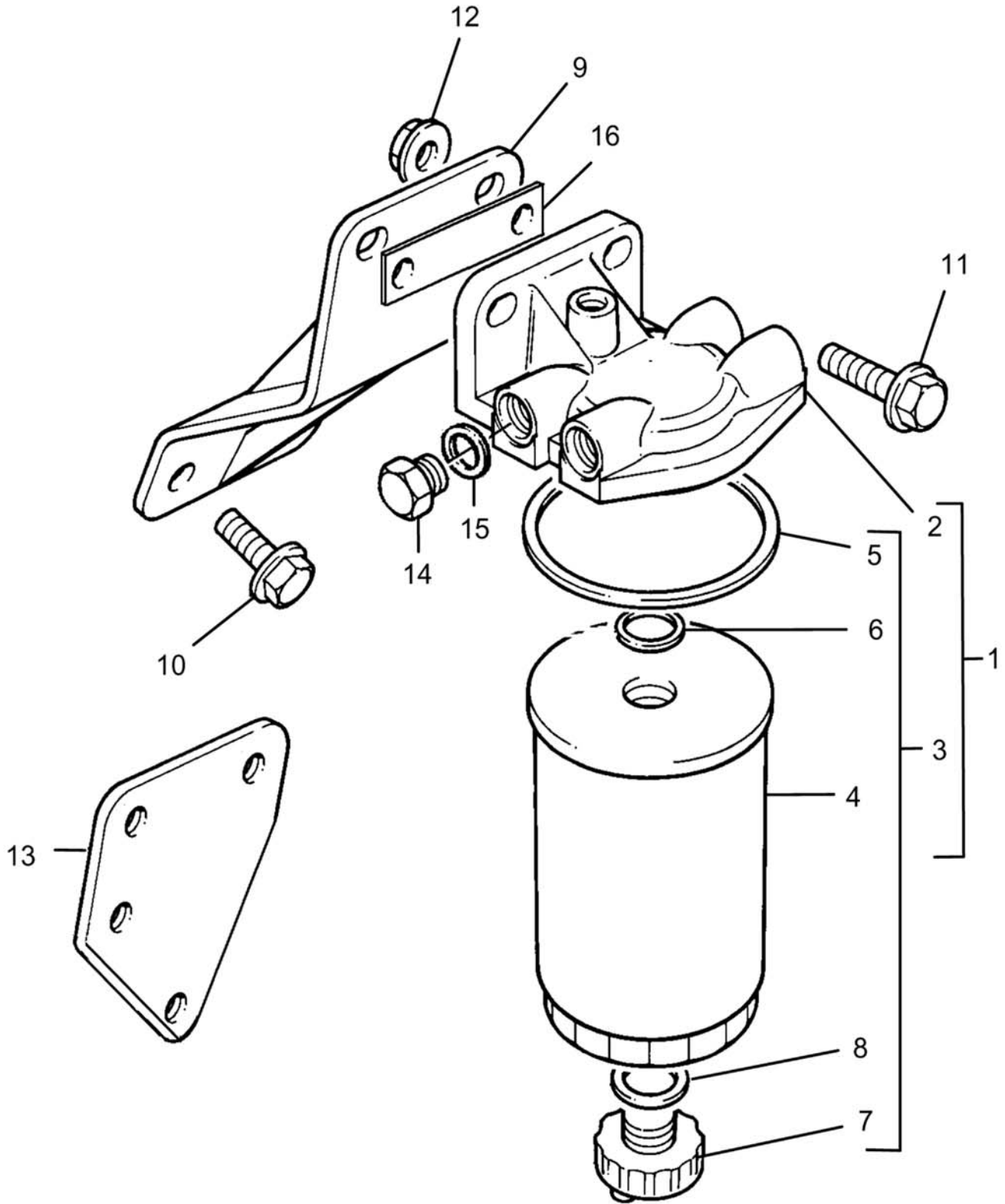
WR128162 - REMOTE AIR CHARGE COOLER

ITEM	PART #	QTY	DESCRIPTION	COMMENTS
1	3637044M1	3	SCREW	
3	6668623	1	JOINT	
4	6668582	3	STUD	
5	6668569	3	NUT	



4224451M91 - LIFT PUMP

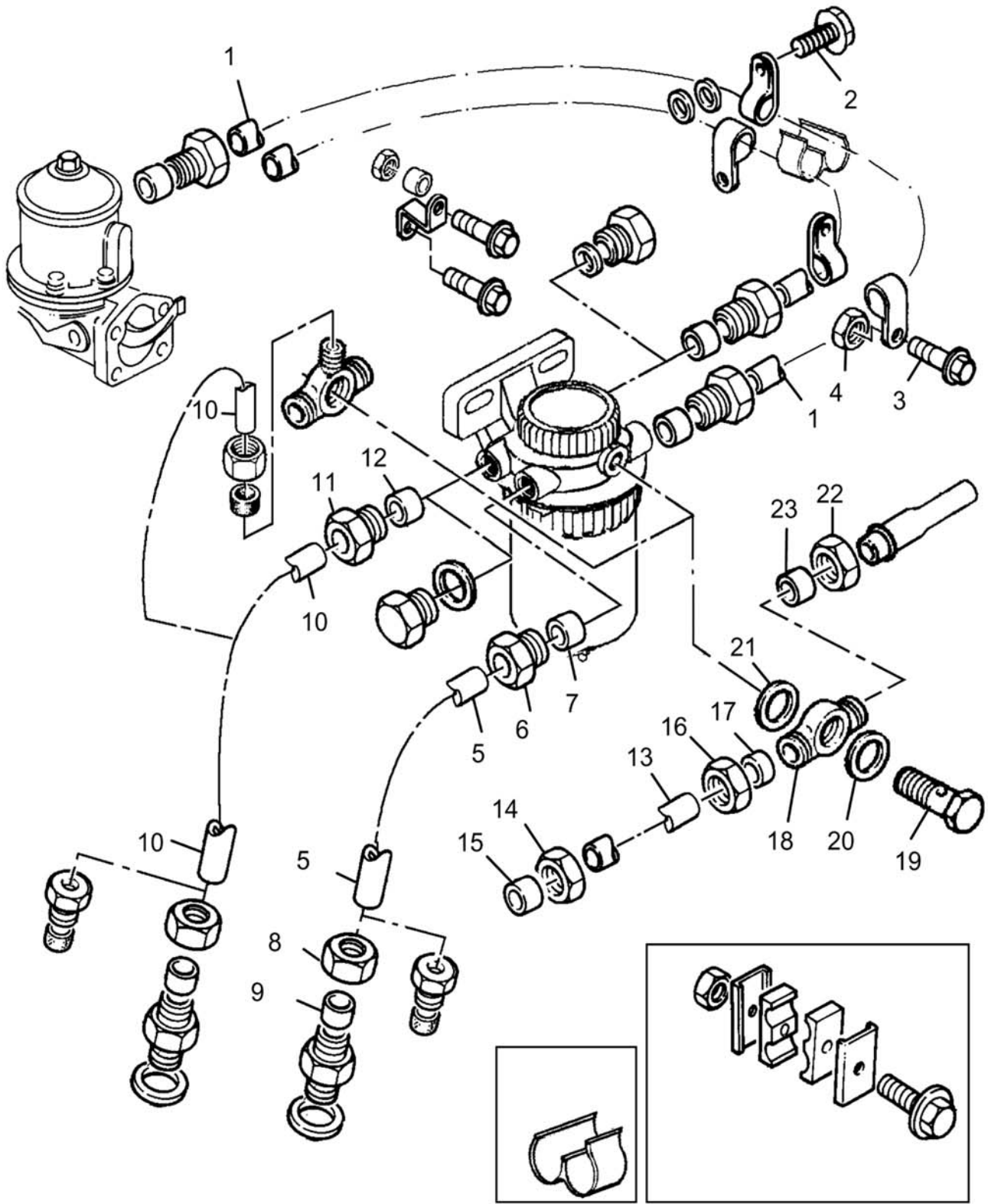
ITEM	PART #	QTY	DESCRIPTION	COMMENTS
3	4224492M1	1	FILTER KIT	
6	3640785M1	1	LIFT PUMP JOINT	
7	WR127425	4	SCREW	
			ITEM 1: LIFT PUMP	
			ITEM 2 CANNOT BE PURCHASED INDIVIDUALLY BUT COMES WITH THE LIFT PUMP.	
			ITEMS 2 - 6 ARE INCLUDED WITH THE LIFT PUMP.	
			ITEM 2: BARE LIFT PUMP	
			ITEM 3: FILTER KIT	
			ITEM 4: ADAPTER	
			ITEM 5: O-RING	
			ITEM 6: LIFT PUMP JOINT	



WR128163 - FUEL FILTER INSTL

ITEM	PART #	QTY	DESCRIPTION	COMMENTS
9	6670990	1	BRACKET	
10	3637139M1	2	SCREW	
11	3637053M1	2	SCREW	
12	6668313	2	NUT	

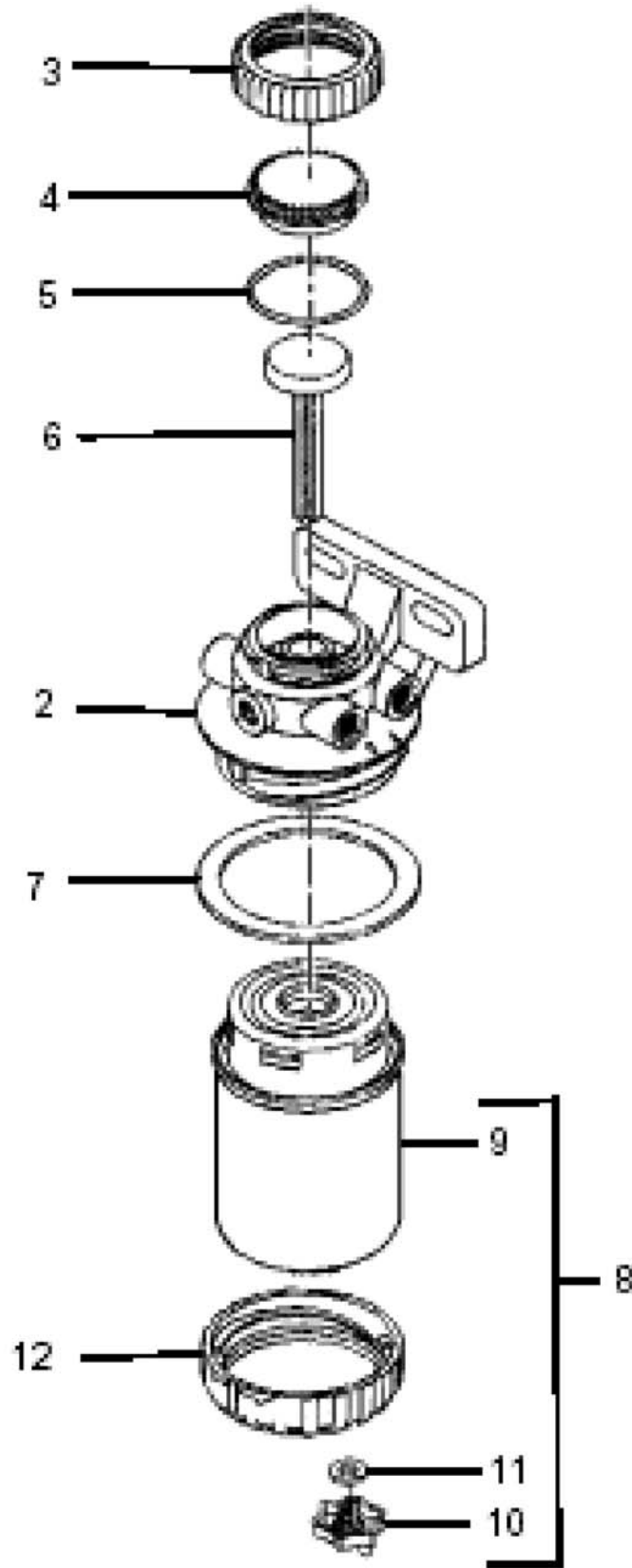
WR128164 - LOW PRESSURE FUEL SYSTEM



WR128164 - LOW PRESSURE FUEL SYSTEM

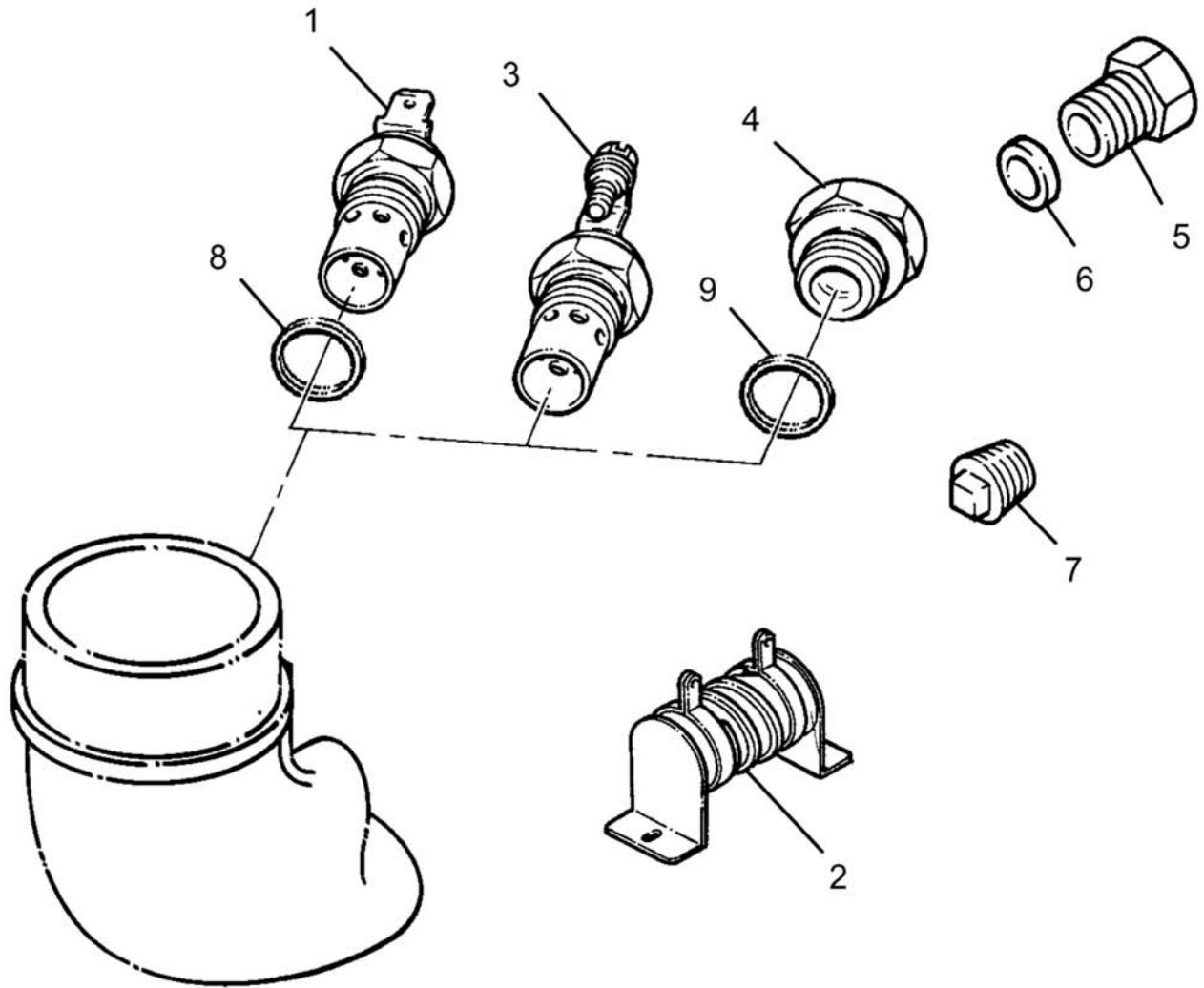
ITEM	PART #	QTY	DESCRIPTION	COMMENTS
1	6672309	1	FUEL PIPE	
2	3637008M1	1	SCREW	
3	6668638	1	SCREW	
4	2318A602	1	NUT	
5	WR55797	1	FEED PIPE	
6	74958237	1	NUT	
7	WR128208	1	NUT	
8	376523X1	1	NUT	
10	WR55796	1	RETURN PIPE	
13	6670993	1	FUEL PIPE	
14	3490133B	1	UNION NUT	
15	WR127494	1	OLIVE	
18	6668634	1	CONNECTION	
19	4222859M1	1	BANJO BOLT	
20	4222860M1	1	WASHER	
22	78009439	1	NUT	
23	375751X1	1	OLIVE	
			ITEMS 9 & 12 SAME AS ITEM 7	
			ITEMS 6 & 7 ARE INCLUDED WITH FUEL PIPE WR55797	
			ITEMS 11 & 12 ARE INCLUDED WITH FUEL PIPE WR55796	
			ITEM 16 SAME AS ITEM 14	
			ITEM 17 SAME AS ITEM 15	
			ITEM 21 SAME AS ITEM 20	

6670995 - FUEL FILTER ASSEMBLY



6670995 - FUEL FILTER ASSEMBLY

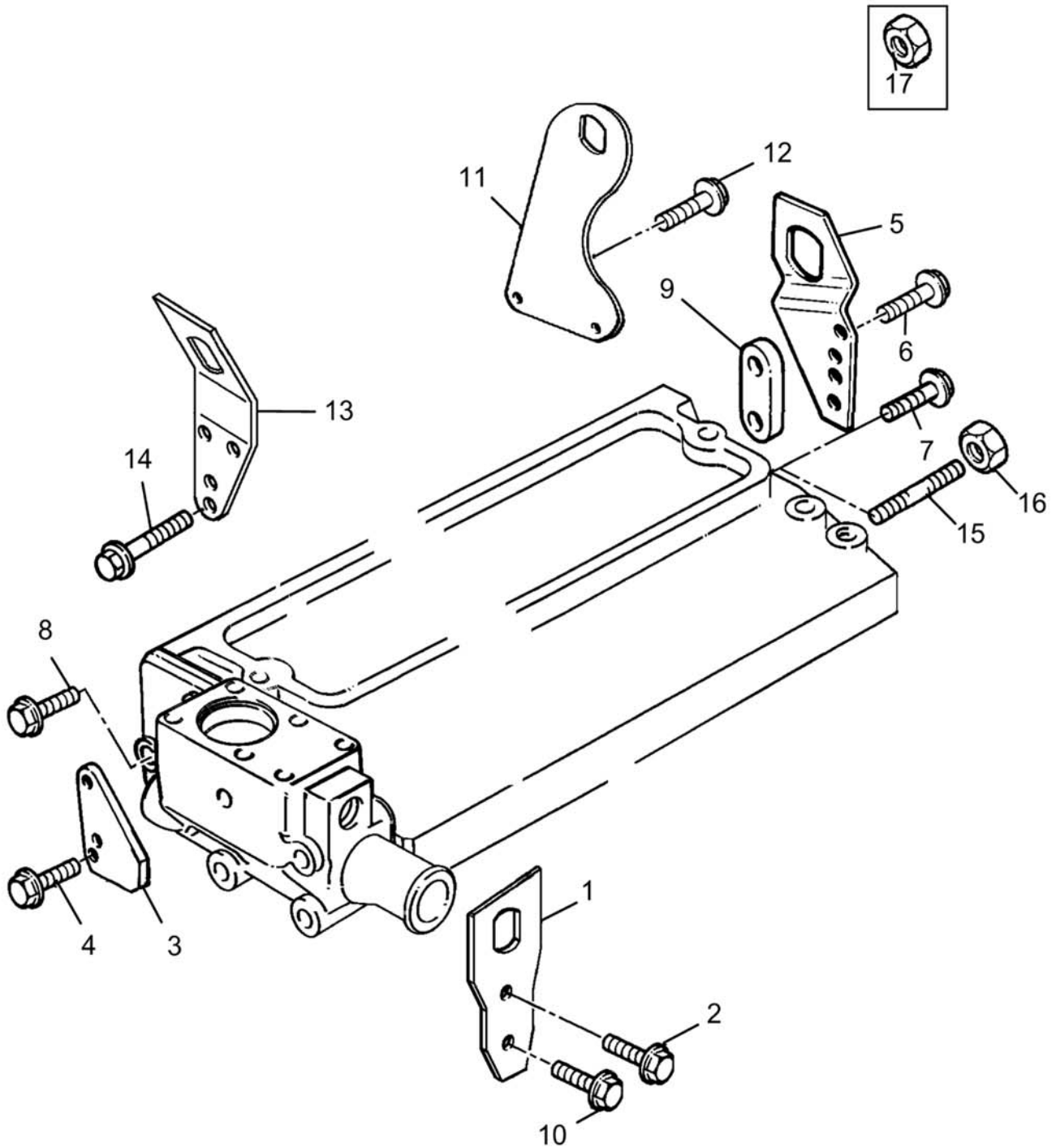
ITEM	PART #	QTY	DESCRIPTION	COMMENTS
8	4222541M1	1	ELEMENT ITEMS 2 - 8 CANNOT BE PURCHASED INDIVIDUALLY BUT ARE INCLUDED WITH THE FUEL FILTER ASSEMBLY. ITEM 2: FILTER HEAD ITEM 3: NUT ITEM 4: CAP ITEM 5: SEAL ITEM 6: PLUG ITEM 7: SEAL ITEMS 9 - 12 CANNOT BE PURCHASED INDIVIDUALLY BUT ARE INCLUDED WITH THE ELEMENT. ITEM 9: ELEMENT ITEM 11: WASHER ITEM 10: CAP ITEM 12: VALVE	



WR128165 - COLD START SYSTEM

ITEM	PART #	QTY	DESCRIPTION	COMMENTS
1	74910312	1	HEATER INTAKE	

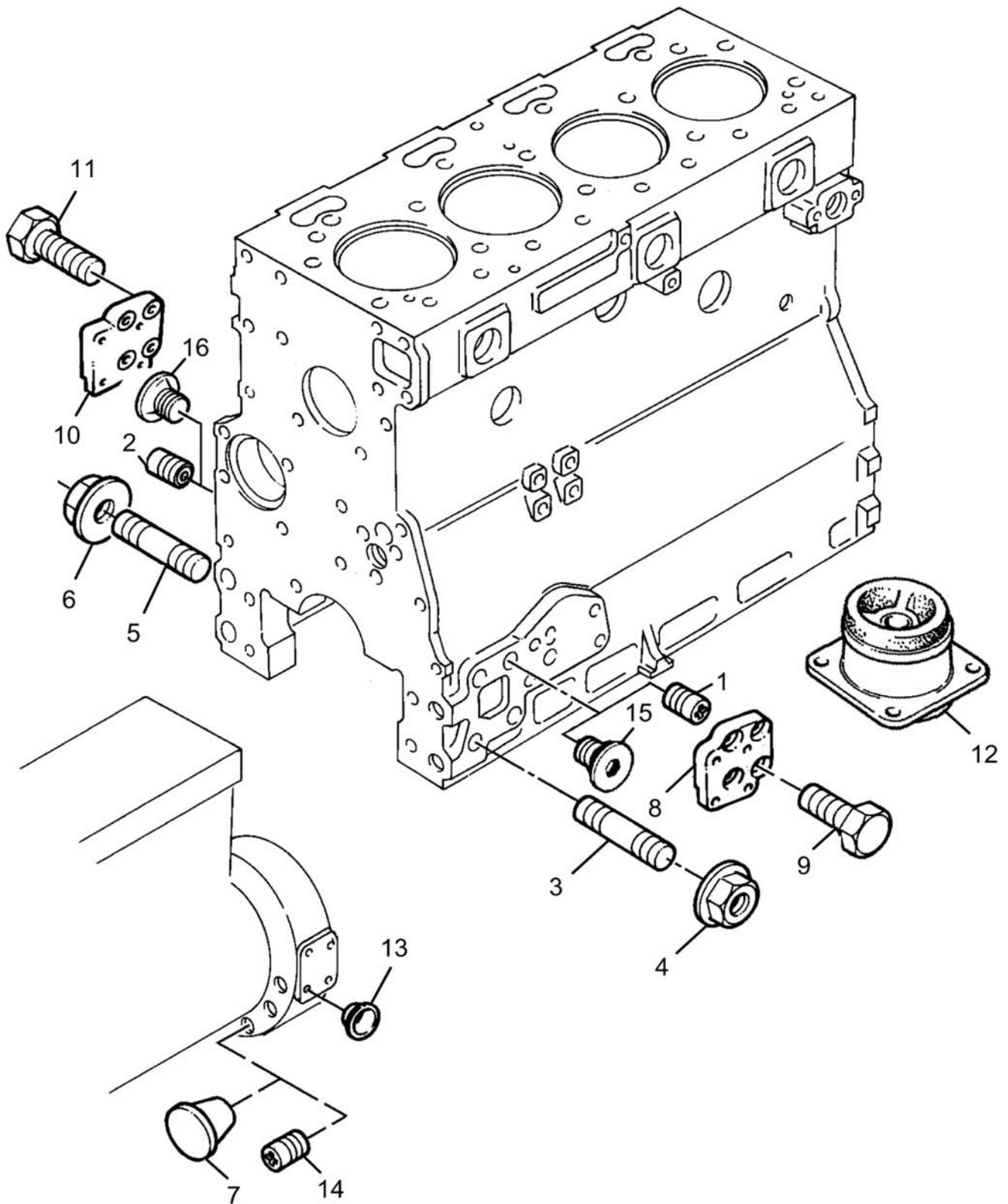
WR128166 - ENGINE LIFTING PLATE INSTL



WR128166 - ENGINE LIFTING PLATE INSTL

ITEM	PART #	QTY	DESCRIPTION	COMMENTS
1	6668649	1	PLATE	
2	3637051M1	2	SCREW	
5	6670997	1	PLATE	
			ITEM 6 SAME ITEM 2	
			ITEM 6: SCREW	

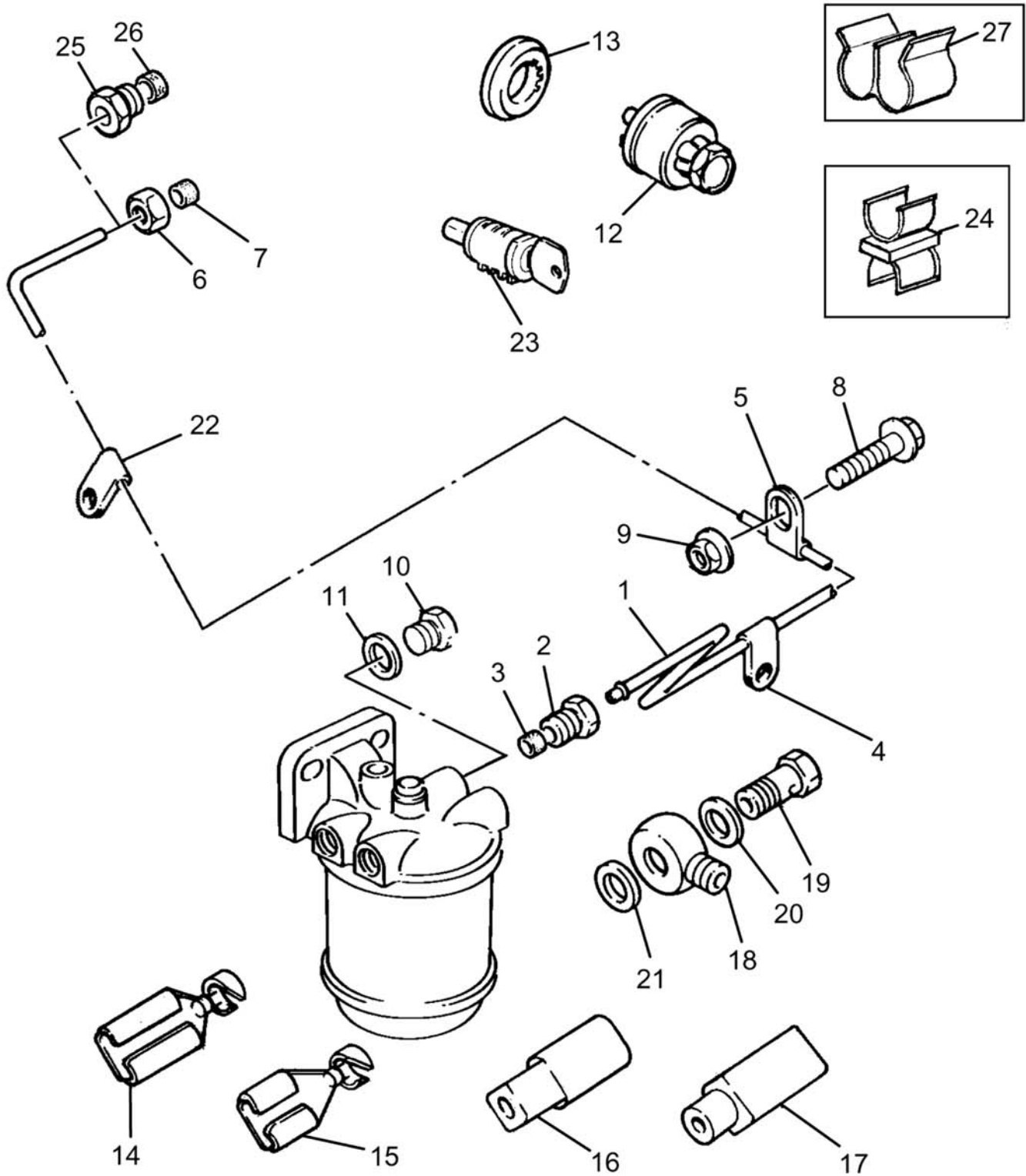
WR128167 - MOUNTINGS FRONT & REAR



WR128167 - MOUNTINGS FRONT & REAR

ITEM	PART #	QTY	DESCRIPTION	COMMENTS
1	6668652	2	PLUG ITEM 2 SAME AS ITEM 1 ITEM 2: PLUG	

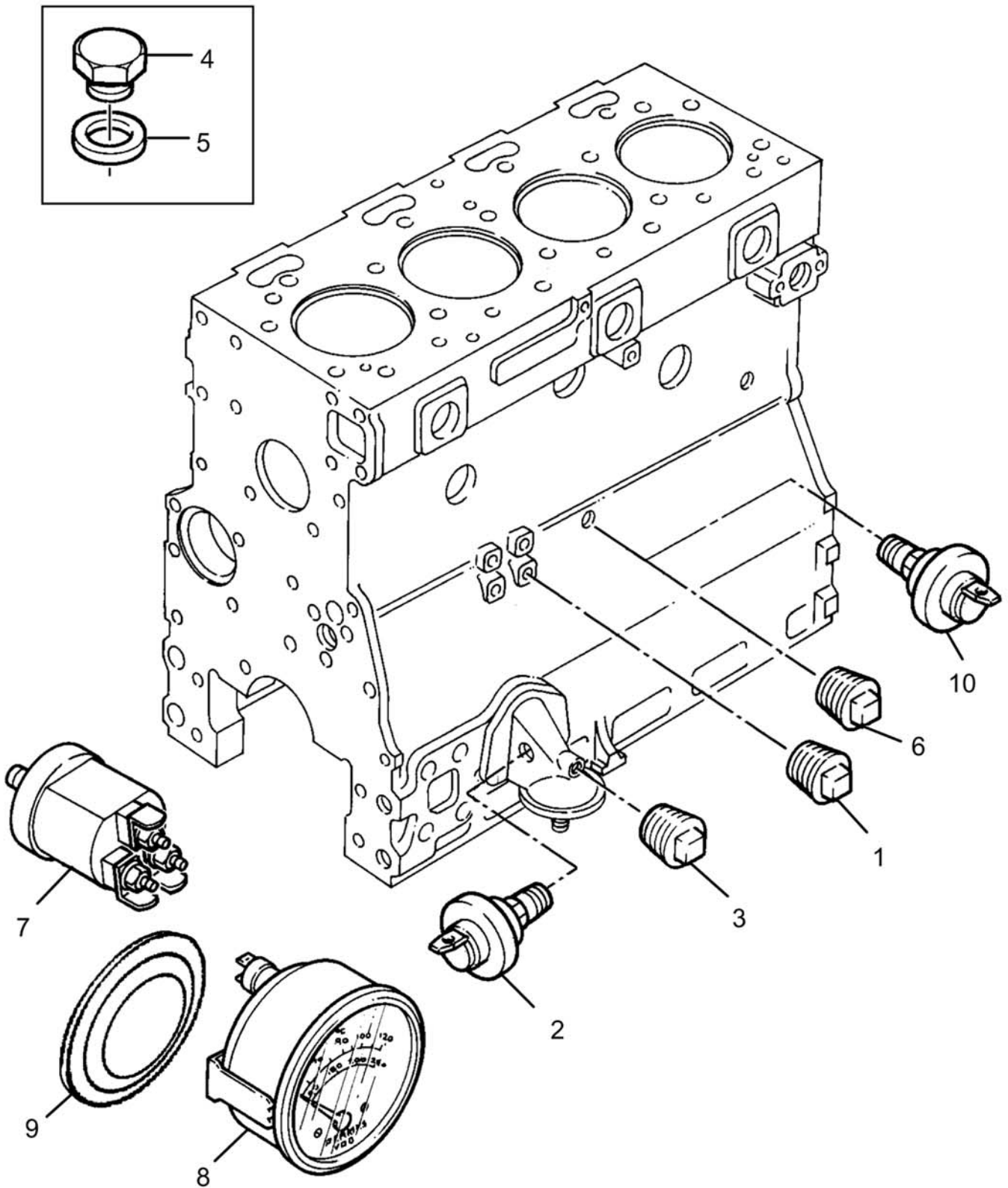
WR128168 - HEATER/STARTER SWITCH



WR128168 - HEATER/STARTER SWITCH

ITEM	PART #	QTY	DESCRIPTION	COMMENTS
1	4224289M1	1	FUEL PIPE	
2	6668654	1	NUT	
3	6668655	1	OLIVE	
4	6671001	1	CLIP	
5	6671000	1	CLIP	
6	3490133B	1	UNION NUT	
7	WR127494	1	OLIVE	
			ITEMS 2 - 5 ARE INCLUDED WITH FUEL PIPE.	

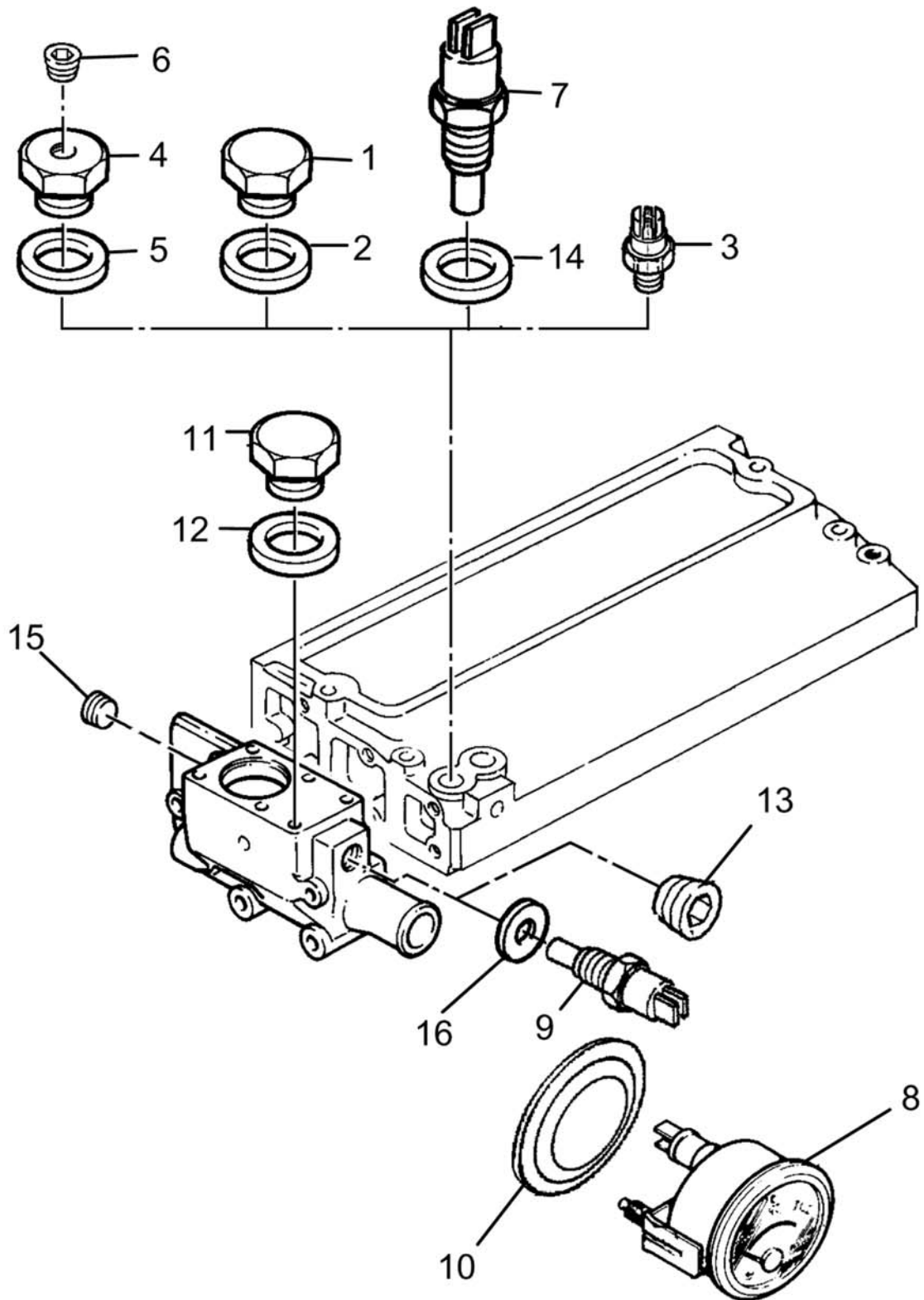
WR128169 - OIL PRESSURE SWITCH & GAUGE



WR128169 - OIL PRESSURE SWITCH & GAUGE

ITEM	PART #	QTY	DESCRIPTION	COMMENTS
1	WR55504	1	PLUG-SQ,-02MP,PROJECTING	
2	72080214	1	SWITCH	

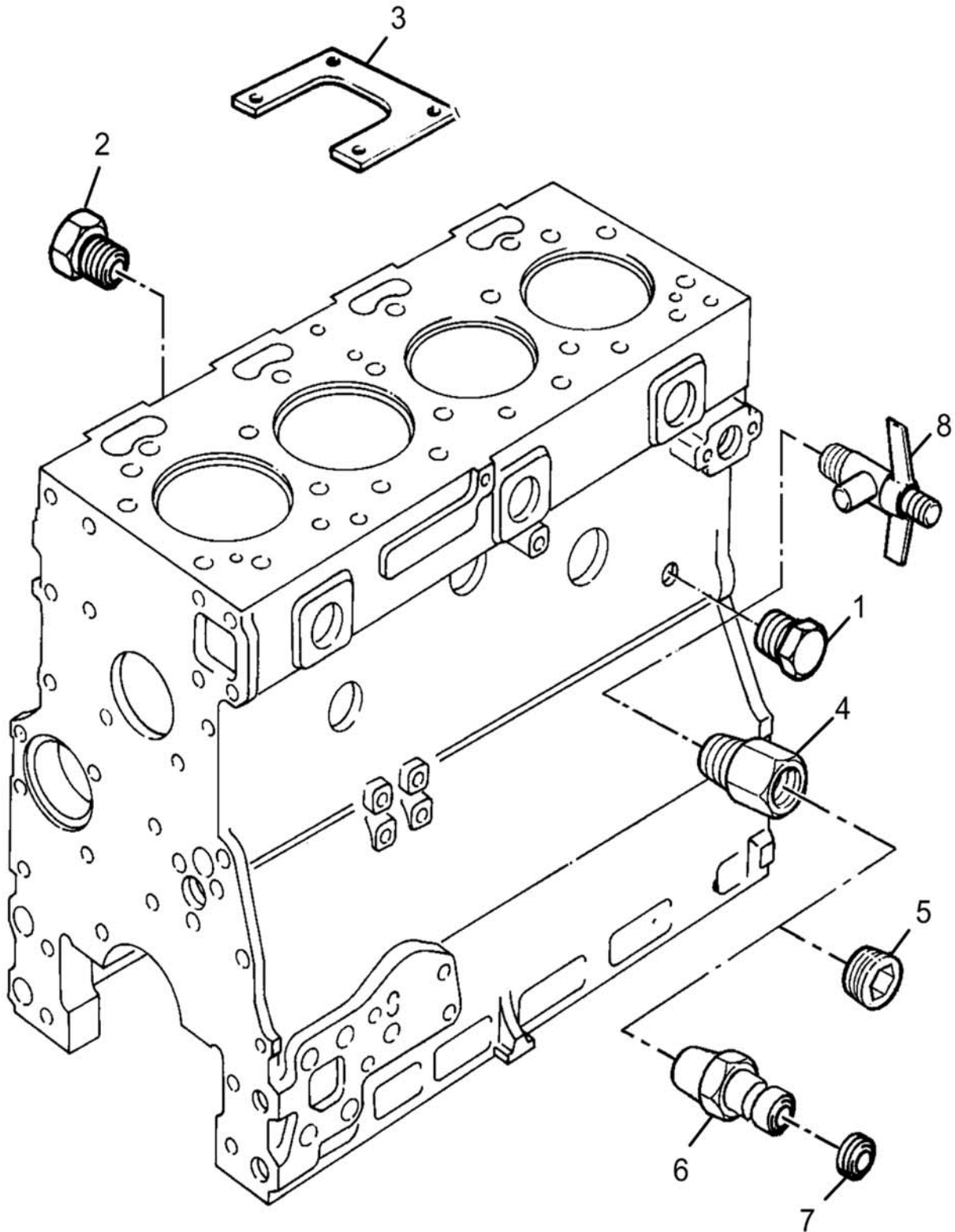
WR128170 - TEMP GAUGE & SENDER



WR128170 - TEMP GAUGE & SENDER

ITEM	PART #	QTY	DESCRIPTION	COMMENTS
1	731410M1	1	PLUG	
2	376178X1	1	WASHER NOT USED AFTER MACHINES 3640JNES110, 4440JN7M104, 4440JN8M103, 4640JN8M114, 4440JN7A101, 4440JN8A103, 4640JN8A105.	

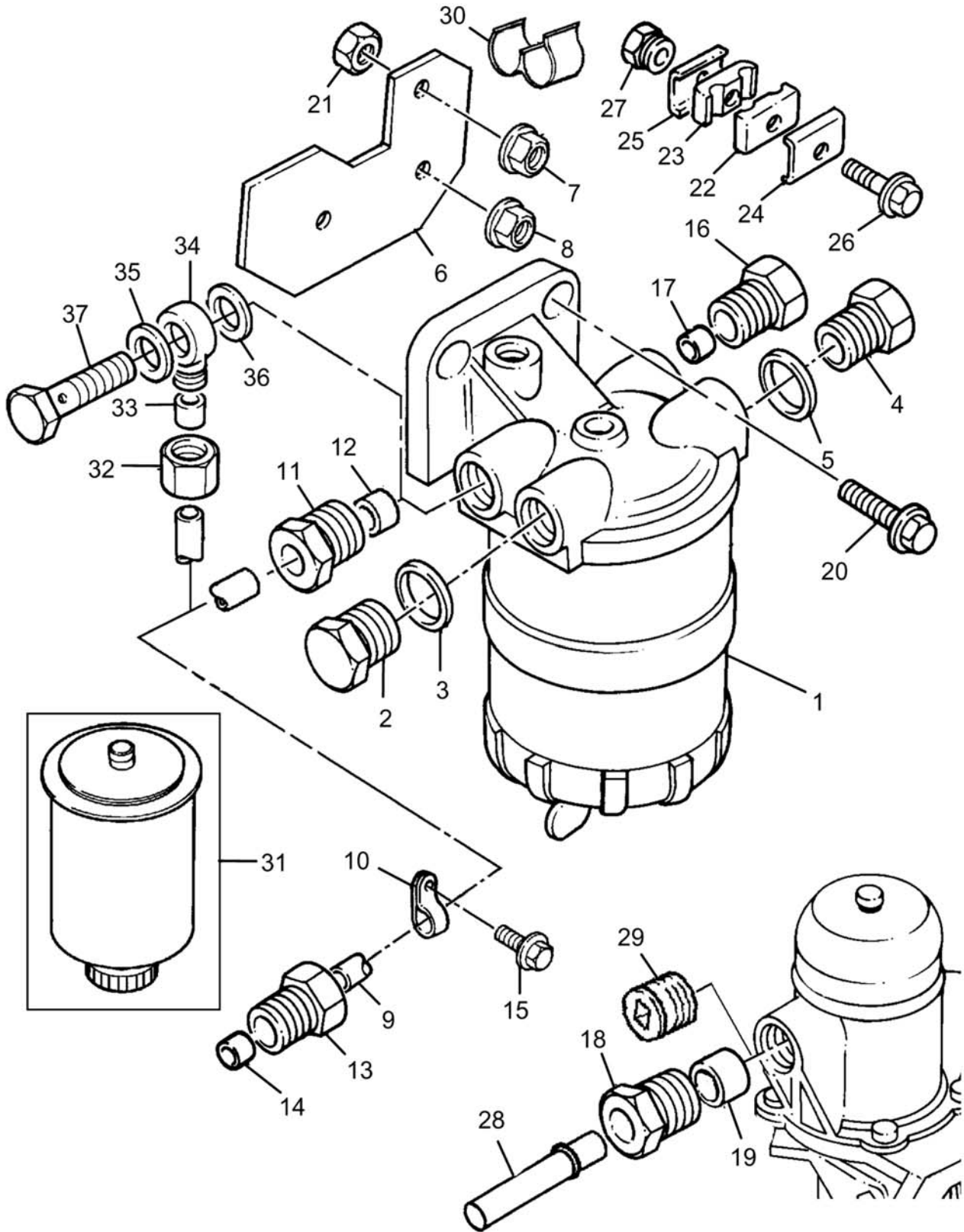
WR128171 - RADIATOR & COOLING FITTING ASM



WR128171 - RADIATOR & COOLING FITTING ASM

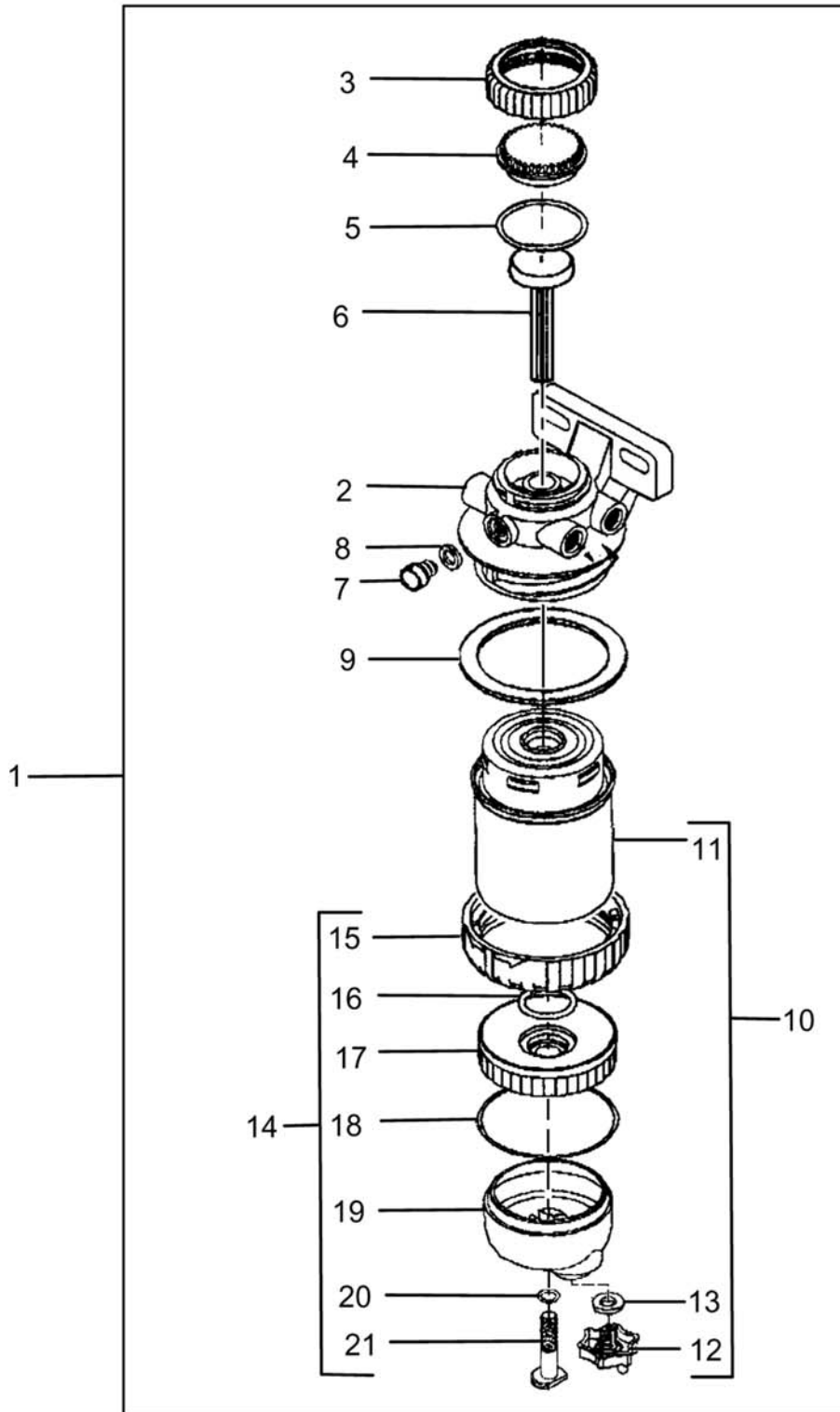
ITEM	PART #	QTY	DESCRIPTION	COMMENTS
1	41K000004B	1	PLUG ITEM 2 SAME AS ITEM 1 ITEM 2: PLUG NOT USED ON MACHINES 3640JNES110, 4440JN7M104, 4440JN8M103, 4640JN8M114, 4440JN7A101, 4440JN8A103, 4640JN8A105 OR LATER.	

WR128172 - FUEL RE-LIFT PUMP INSTL



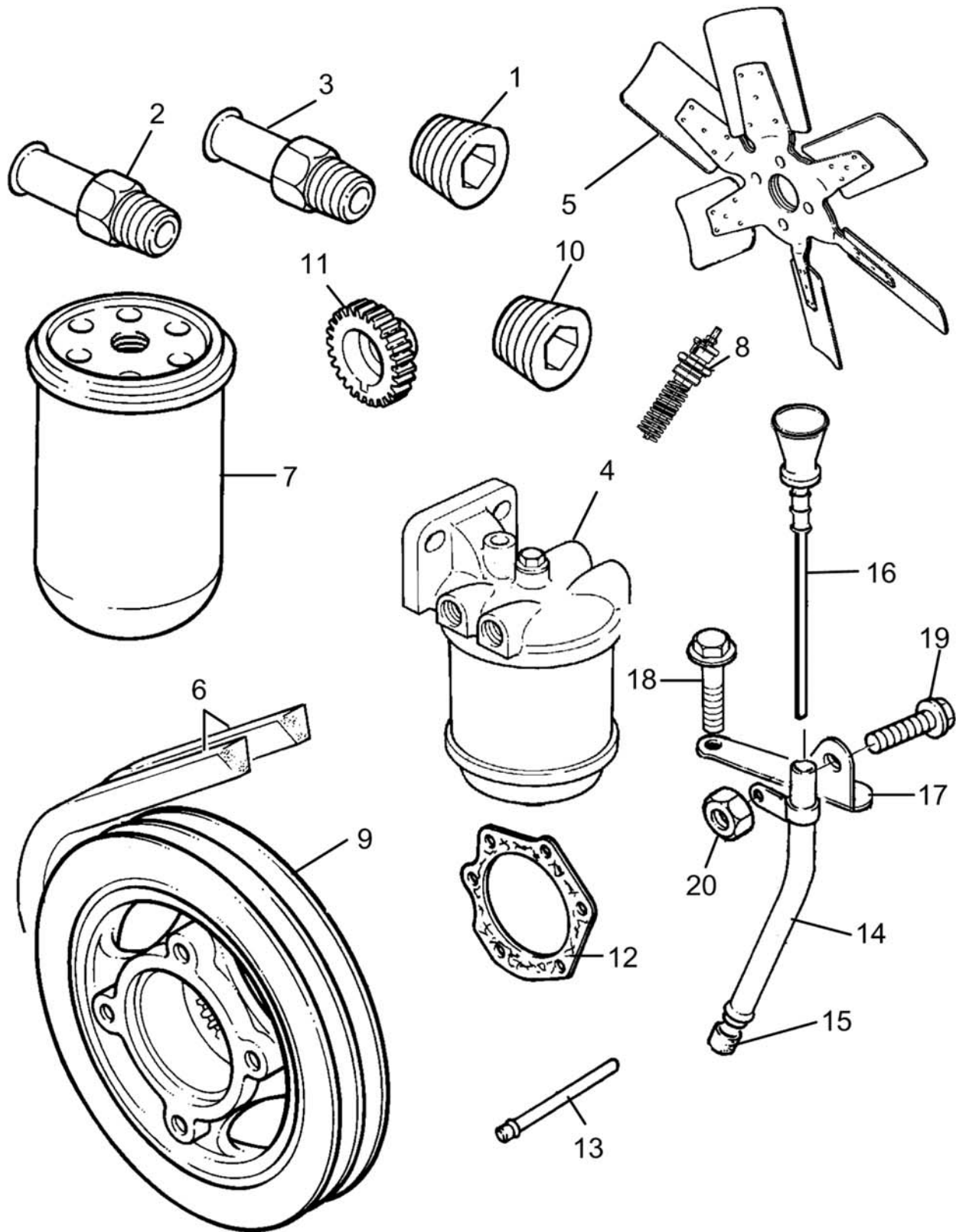
WR128172 - FUEL RE-LIFT PUMP INSTL

ITEM	PART #	QTY	DESCRIPTION	COMMENTS
2	700718358	2	PLUG	
3	731388M1	2	WASHER	
6	6668657	1	BRACKET	
7	6668313	1	NUT	
9	WR128209	1	FUEL PIPE	
10	6668659	1	CLIP	
11	735710M1	1	NUT	
12	3727375B	1	OLIVE	
16	74958237	1	NUT	
17	3490088B	1	OLIVE	
			ITEM 8 SAME AS ITEM 7	
			ITEM 8: NUT	
			ITEM 13 SAME AS ITEM 11	
			ITEM 13: NUT	
			ITEM 14 SAME AS ITEM 12	
			ITEM 14: OLIVE	
			ITEMS 10 - 14 ARE INCLUDED WITH THE FUEL PIPE	



6671003 - FILTER

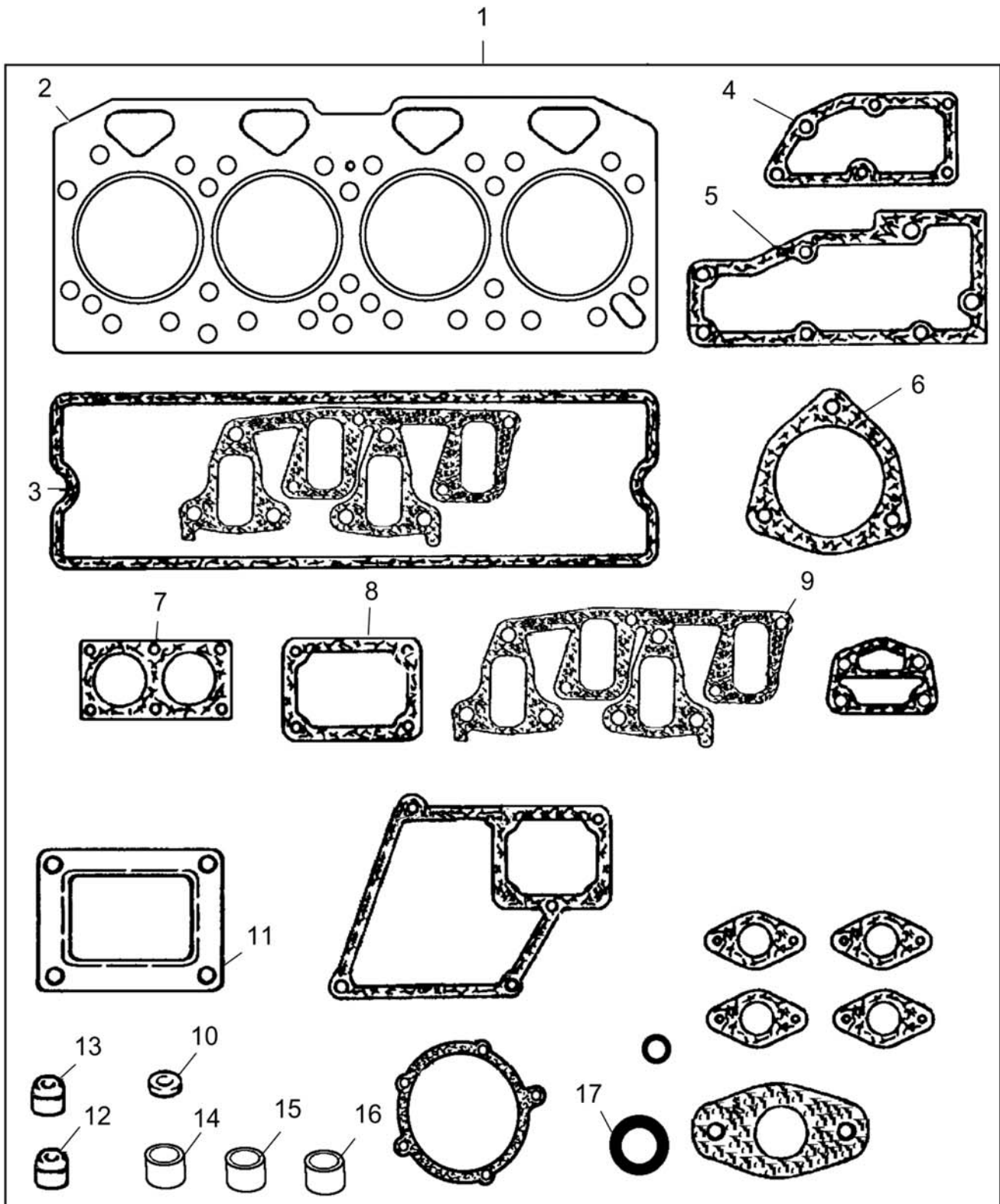
ITEM	PART #	QTY	DESCRIPTION	COMMENTS
3	6668640	1	NUT	
4	6668641	1	CAP	
5	6668642	1	SEAL	
6	6668643	1	PLUG	
7	6668661	1	PLUG	
8	WR128210	1	SEAL	
9	6668644	1	SEAL	
10	6671649	1	ELEMENT	
14	6669137	1	KIT	
			ITEM 1: 6671003 FILTER ITEMS 2 - 9 ARE INCLUDED WITH THE FILTER. ITEM 2 CANNOT BE PURCHASED INDIVIDUALLY BUT IS INCLUDED WITH THE FILTER. ITEMS 11 - 13 CANNOT BE PURCHASED INDIVIDUALLY BUT ARE INCLUDED WITH ELEMENT 6671649. ITEM 11: ELEMENT ITEM 12: VALVE ITEM 13: WASHER ITEMS 15 - 21 CANNOT BE PURCHASED INDIVIDUALLY BUT ARE INCLUDED WITH KIT 6669137. ITEM 15: RING ITEM 17: RING ITEM 16: SEAL ITEM 18: SEAL ITEM 19: BOWL ITEM 20: SEAL ITEM 21: BOLT	



WR128173 - MISCELLANEOUS & AUXILLARIES

ITEM	PART #	QTY	DESCRIPTION	COMMENTS
1	70917970	1	PLUG	
2	744450M1	1	ADAPTER	
12	4222433M1	1	JOINT	
			ITEM 3 SAME AS ITEM 2	
			ITEM 3: ADAPTER	

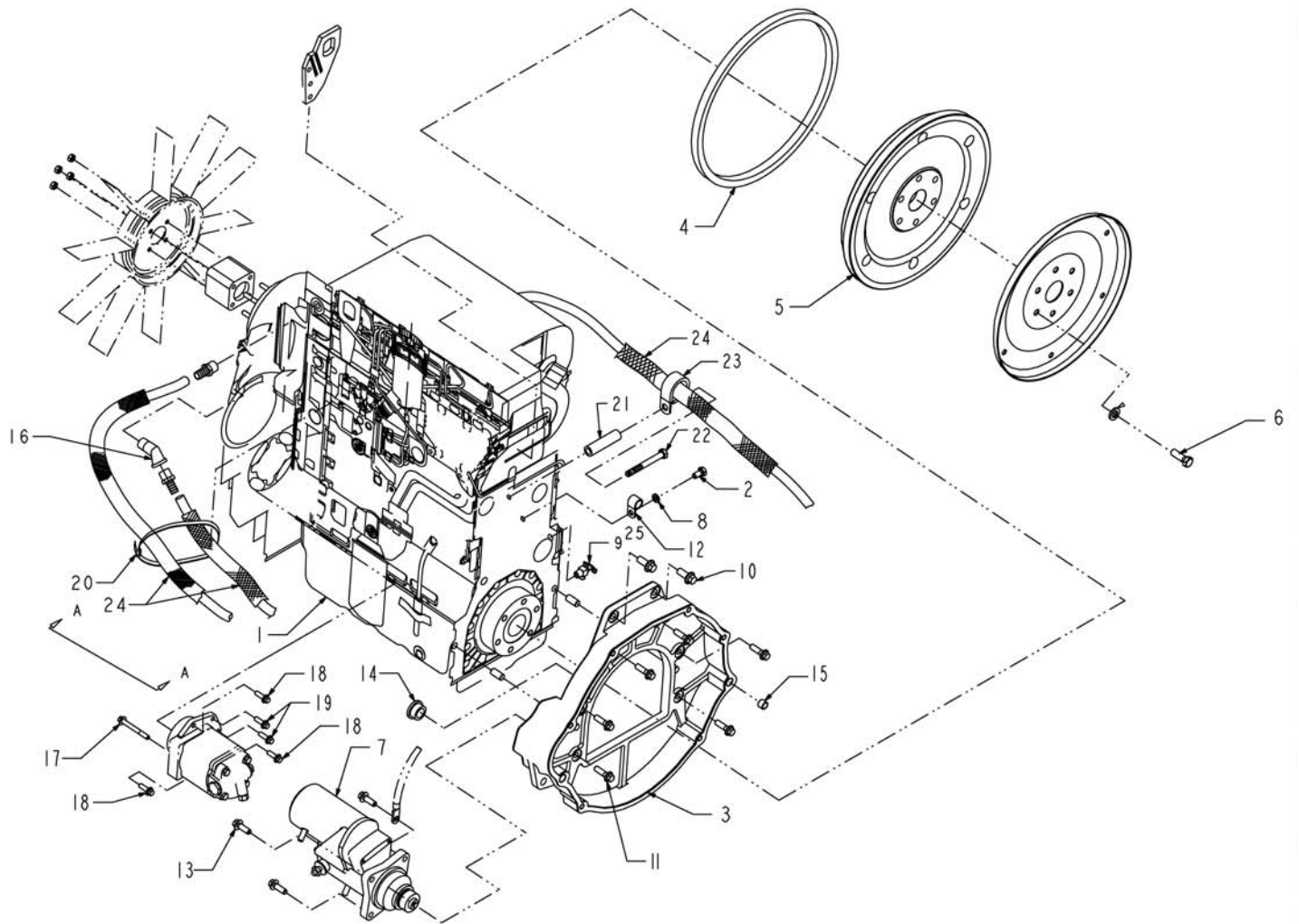
4222864M91 - TOP JOINT & GASKET KIT



4222864M91 - TOP JOINT & GASKET KIT

ITEM	PART #	QTY	DESCRIPTION	COMMENTS
2	4224501M1	1	HEAD GASKET	
3	4223552M91	1	CYLINDER HEAD GASKET	
4	4222155M1	1	JOINT	
5	4222844M1	1	JOINT	
6	6668623	1	JOINT	
7	4222851M1	1	JOINT	
8	6671011	1	JOINT	
9	4222220M1	2	EXHAUST MANIFOLD JOINT	
10	L311FF02	4	INJECTOR WASHER	
11	4224185M1	1	GASKET	
12	4223442M1	4	VALVE STEM SEAL	
13	4223333M1	4	VALE STEM SEAL	
14	3727375B	10	OLIVE	
15	WR128208	10	NUT	
16	WR127494	2	OLIVE	
17	4222848M1	1	O-RING	

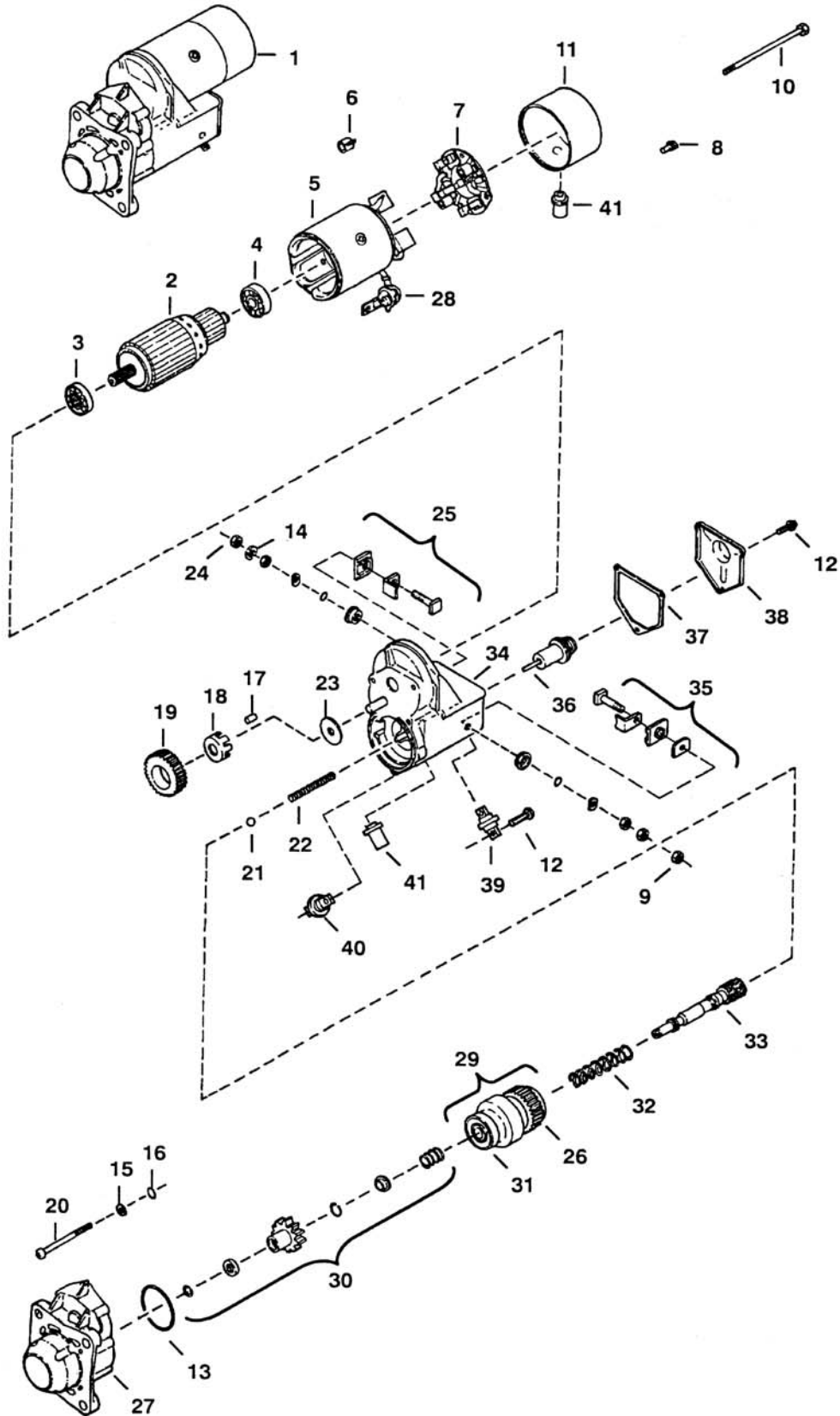
ITEM 1: TOP JOINT AND GASKET KIT 4222864M91
ITEMS 2 - 17 ARE INCLUDED IN THE GASKET KIT.
FOR BOTTOM JOINT AND GASKET KIT USE (4225096M91)



6802594 - ENGINE GROUP-PERKINS

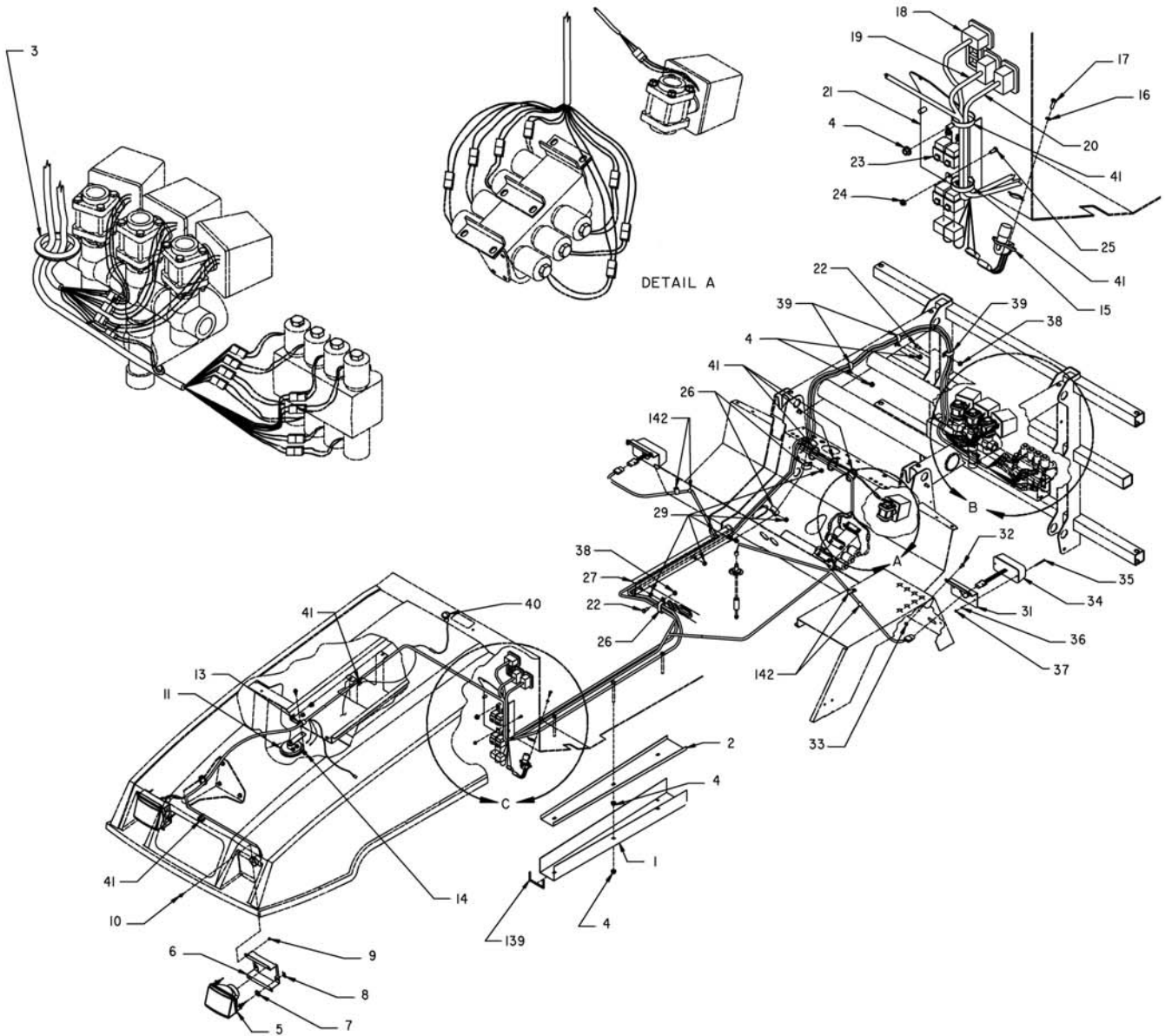
ITEM	PART #	QTY	DESCRIPTION	COMMENTS
1	WR125677	1	ENGINE-PERKINS,TPEM	
2	WR55046	1	SCREW-CAP HEX M10 X R/B 562463	
3	6628203	1	ADAPTER-MACH	
4	6628095	-	GEAR-RING	
5	6627801	1	FLYWHEEL-MACH AUTO	
6	WR55161	6	SCREW-CAP HEX 1/2 NF X	
7	6665654	1	MOTOR-STARTER	SEE PAGE 6-51
8	WR55106	1	WASHER-LOCK SPRING,10 MM	
9	WR515983	1	PETCOCK DRAIN 0.25NPT BR	
10	WR55405	2	SCREW-WZLK FLG,M12 X 30	
11	WR55224	6	SCREW-WZLK FLG,M10 X 35	
12	WR50830	1	CLAMP-SUPPORT,CUSHION,	
13	WR523069	3	BOLT-M10-1.5X30,C8.8,ZN,FLG	
14	WR29673	1	PLUG-HOLE, PLASTIC	
15	6801143	2	BUSHING-PIN	
16	WR12952	1	ELBOW-45,-08FP/-08MP	
17	WR55211	1	SCREW-HEX FLG,M8X1.25X70 CL8.8	
18	WR520967	3	BOLT-M8-1.25X25,CL8.8,ZN FLG	
19	WR55206	2	SCREW-HEX FLG,M8X1.25X20 CL8.8	
20	WR562496	3	TIE CABLE 15.0 .18-4.00 BLACK	
21	WR55649	1	SPACER	
22	WR55651	1	SCREW HEX M12X80 GR 8.8	
23	WR55652	1	CLAMP CUSHION 1.188IDX.53	
24	WR55837	3	COVER-HOSE	
25	6540410	-	ADHESIVE	

6665654 - MOTOR-STARTER



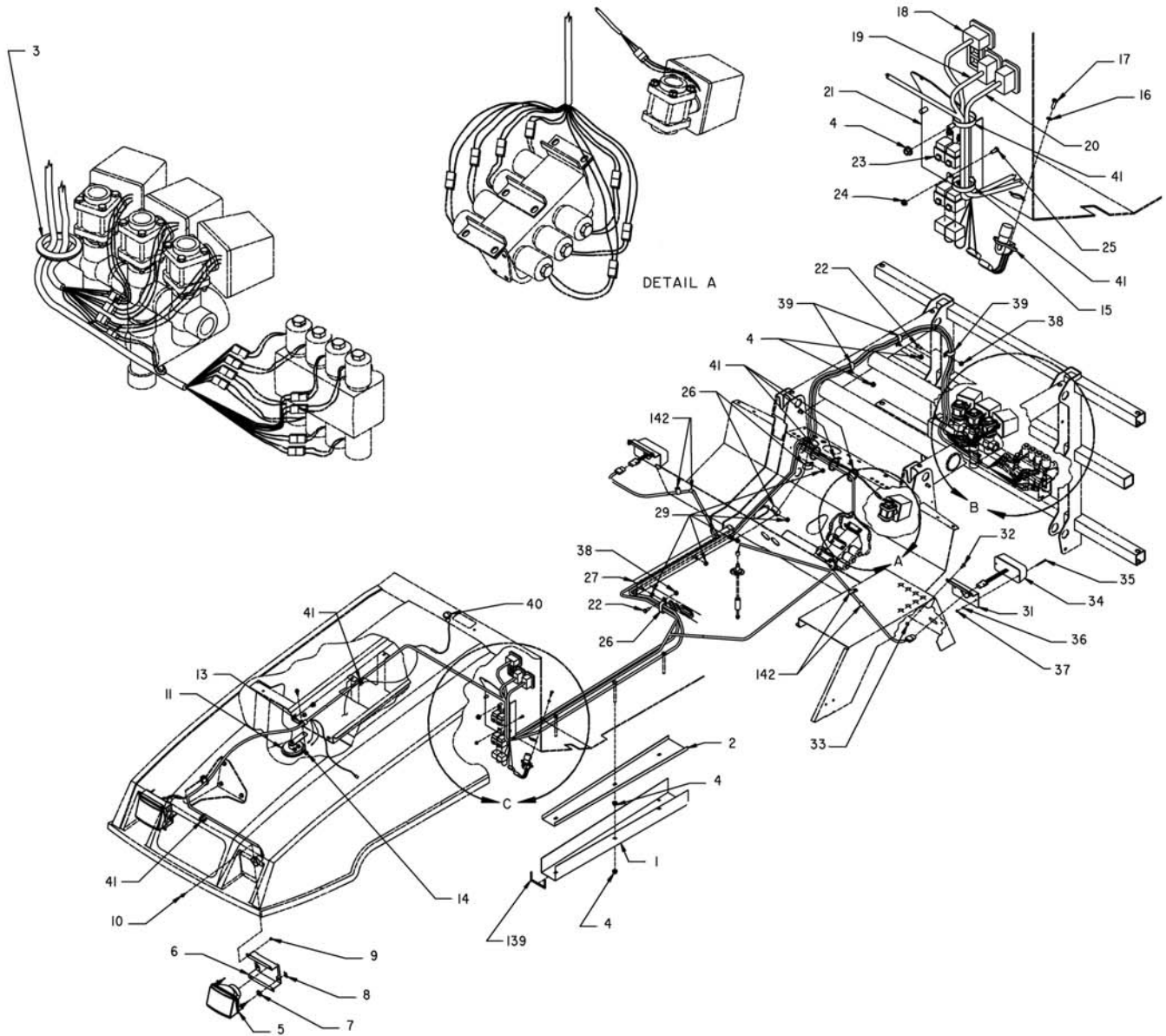
6665654 - MOTOR-STARTER

ITEM	PART #	QTY	DESCRIPTION	COMMENTS
2	6666621	1	ARMATURE	
3	6632417	1	BEARING	
4	6671129	1	BEARING	
4	6671128	1	BEARING	
4	6632418	1	BEARING	
5	6632419	1	HOUSING ASSEMBLY	
6	6632421	4	SPRING	
7	6632420	1	BRUSH HOLDER	
8	6666634	2	BOLT	
9	6666637	1	NUT	
10	6666636	2	BOLT	
11	6671121	1	COVER	
12	6666635	1	BOLT	
13	6666632	1	O-RING	
14	6666630	1	WASHER	
15	6666629	3	WASHER	
16	6666631	3	O-RING	
17	6632430	5	ROLLER	
18	6632429	1	RETAINER	
19	6632428	1	PINION	
20	6666633	3	BOLT	
21	6671122	3	BALL	
22	6632436	1	SPRING	
23	6662437	1	WASHER	
24	6666628	1	NUT	
25	6671117	1	TERMINALS	
26	6666622	1	DRIVE	
27	6671124	1	HOUSING	
28	6669365	1	BOOT	
30	6669350	1	PINION	
32	6632441	1	SPRING	
33	6669354	1	SHAFT	
34	6671973	1	HOUSING	
35	6671116	1	TERMINALS	
36	6632432	1	PLUNGER	
37	6632433	1	GASKET	
38	6632434	1	COVER	
39	6669359	1	TERMINAL	
40	6669360	1	BUSHING	
41	6669372	1	COVER	
			ITEM 1: MOTOR-STARTER COMPLETE	
			ITEM 31 CANNOT BE PURCHASED INDIVIDUALLY BUT IS INCLUDED IN	
			HOUSING.	
			ITEM 31: BEARING	



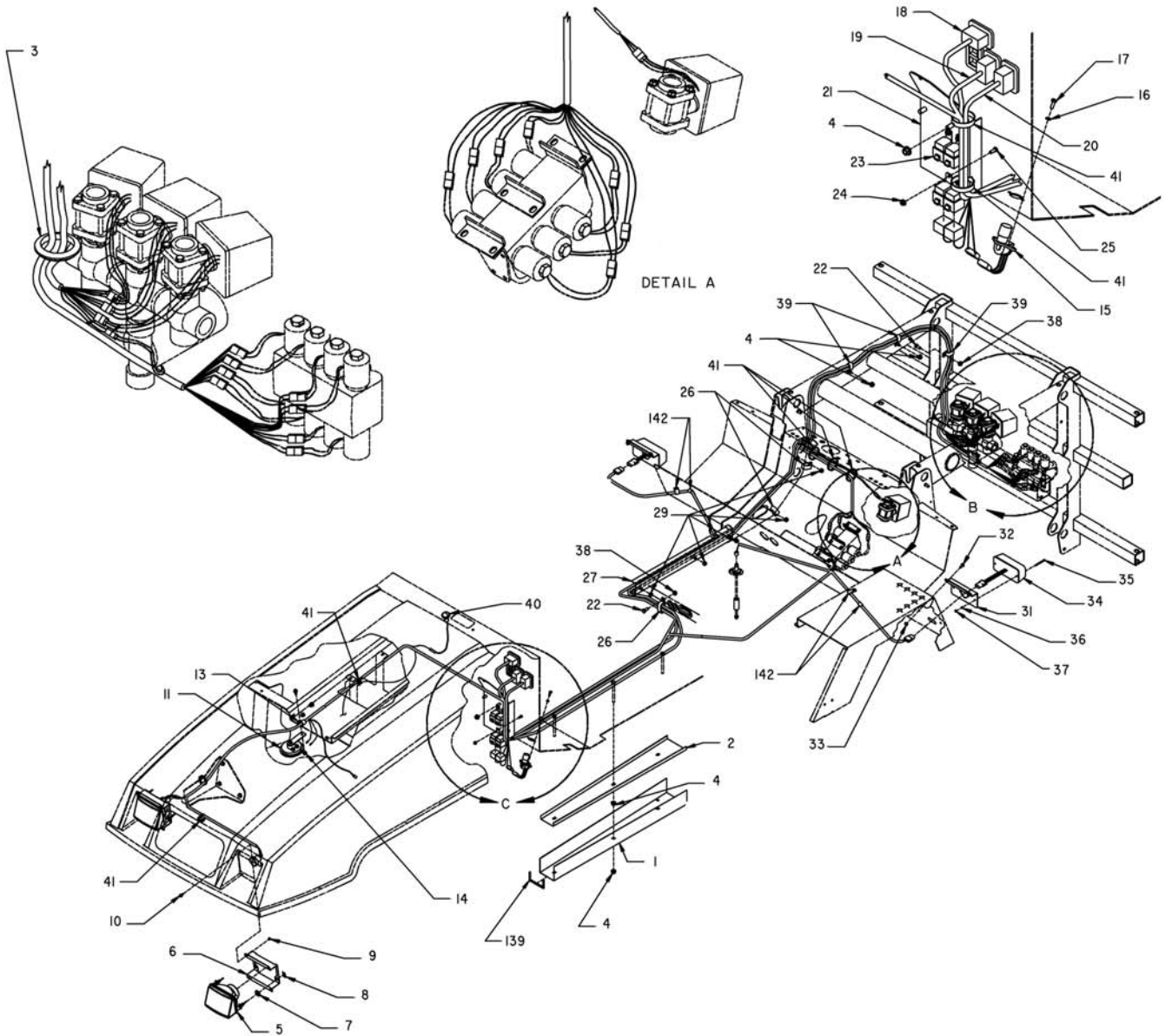
6802170 - ELECTRICAL GROUP-SC

ITEM	PART #	QTY	DESCRIPTION	COMMENTS
0	WR55564	2	HARNES-JUMPER	
0	WR55624	1	SWITCH-TEMPERATURE	
0	WR55648	1	HARNES ALT GRD	
0	WR55650	1	HARNES, GRD PUMP	
0	WR55653	1	HARNES GRD TEMP SWITCH	
0	WR55790	1	DECAL-ENGINE PREHEAT	
0	WR55813	1	HARNES-OIL COOLER	
0	WR55829	1	FAN ASSY-OIL COOLER,A/T	
0	WR55831	1	SWITCH TEMPERATURE	
0	WR515850	1	CONNECTOR ELEC SHROUD 2-CONT F	
0	WR55233	2	CLAMP-SUPPORT CUSHION,	
0	WR55247	3	CLAMP-SUPPORT CUSHION DBL	
0	6517924	1	BODY-CONNECTOR	
0	6597526	-	DIAGRAM-ELECTRICAL	
0	6597616	-	INSTL-ELECTRICAL	
0	6664224	2	CAP-END,ELECTRICAL	
0	6673122	1	REGULATOR-TIMER	
0	WR27196	1	GROMMET-RUBBER, .250 ID,	
0	WR51201	1	WASHER-LOCK,INT/EXT TOOTH	
0	WR55045	1	SCREW-CAP HEX M10 X 16	
0	WR550566	10	NUT 0.43-14NC HEX ZN REG	
0	WR550698	1	BOLT 0.25-20NCX 1.00 G5 ZN HHD	
0	WR551015	2	WASHER 0.31 FL ZN REG TYPE-B	
0	WR55104	8	WASHER-LOCK SPRING,6MM ID	
0	WR55271	3	NUT-LOCK,M6 X 1.0,PREV	
0	WR562793	8	NUT HEX M6 X 1.00	
0	WR25504	1	KIT-LIGHT,TACH/HOUR METER	
0	WR120645	2	CLAMP-.875 DIA COATED DOUBLE	
0	WR24913	1	GAUGE-FUEL,12V	
0	WR561617	6	WASHER 0.50 FL ZN SAE TYPE-A	
0	WR515765	2	SEAL CABLE GREY REEL 14 GA	
0	WR515762	2	TERM MA 16-14 GA W/PACK	
0	WR512273	-	FLEX GUARD .350LCP [BULK: 1 FT]	
1	6626433	1	CARRIER-HOSE	
2	6626432	1	CARRIER-WIRE HARNES	
3	6533975	1	GROMMET	
4	WR55281	10	NUT-FLANGE,M10 X 1.5	
5	6672044	2	LIGHT-HEAD	
6	6596494	2	MOUNT-HEAD LAMP	
7	WR515782	6	WASHER 0.43 FL ZN REG G8	
8	6667718	6	CLIP-RETAINER	
10	WR55202	8	SCREW-HEX FLG,M6X1X16 CL8.8	
11	6665558	1	ALARM-HORN	
12	WR55206	1	SCREW-HEX FLG,M8X1.25X20 CL8.8	
13	WR50830	1	CLAMP-SUPPORT,CUSHION,	
14	WR55410	1	NUT-FLANGE,M8 X 1.25 CL8,	
15	6664372	1	SWITCH-DIMMER	
16	WR550493	4	WASHER LK 0.25 ZN REG	
17	WR550485	8	BOLT.25-20NCX.75 G5 ZN HHD	
19	6618969	1	HARNES-HYD	
19	6803132	1	HARNES-LIGHTS	
20	6628372	1	HARNES-SPRAY	
21	6626479	1	COVER	
22	WR561683	4	BOLT M10-1.5 X 25MM G8.8 ZN HH	
23	6670312	7	SWITCH-MAGNETIC	
24	WR55300	4	NUT-FLANGE,M6 X 1.0,PREV	
26	WR55248	1	CLAMP-SUPPORT CUSHION DBL	
27	6618959	1	SHIELD-WIRE HARNES	
28	6664223	2	OUTLET-ELECTRICAL	
29	WR11514	5	NUT-FLANGE, 3/8	
32	WR25752	4	SCREW-CAP HEX M8 X 16,	
33	WR32254	4	NUT-TOPLOCK,M8-1.25	
34	6671624	2	LAMP-TAIL/LAMP	
35	WR55278	4	SCREW-MACH FLAT SLT HD,	
36	WR553182	4	WASHER #10 LK ZN REG	
37	WR550647	4	NUT 10-24NC HEX ZN REG	
38	WR55312	5	NUT-LOCK HEX,M10 X 1.5,	
39	WR55237	2	CLAMP-SUPPORT CUSHION,	
40	6617401	1	LIGHT ASSY	



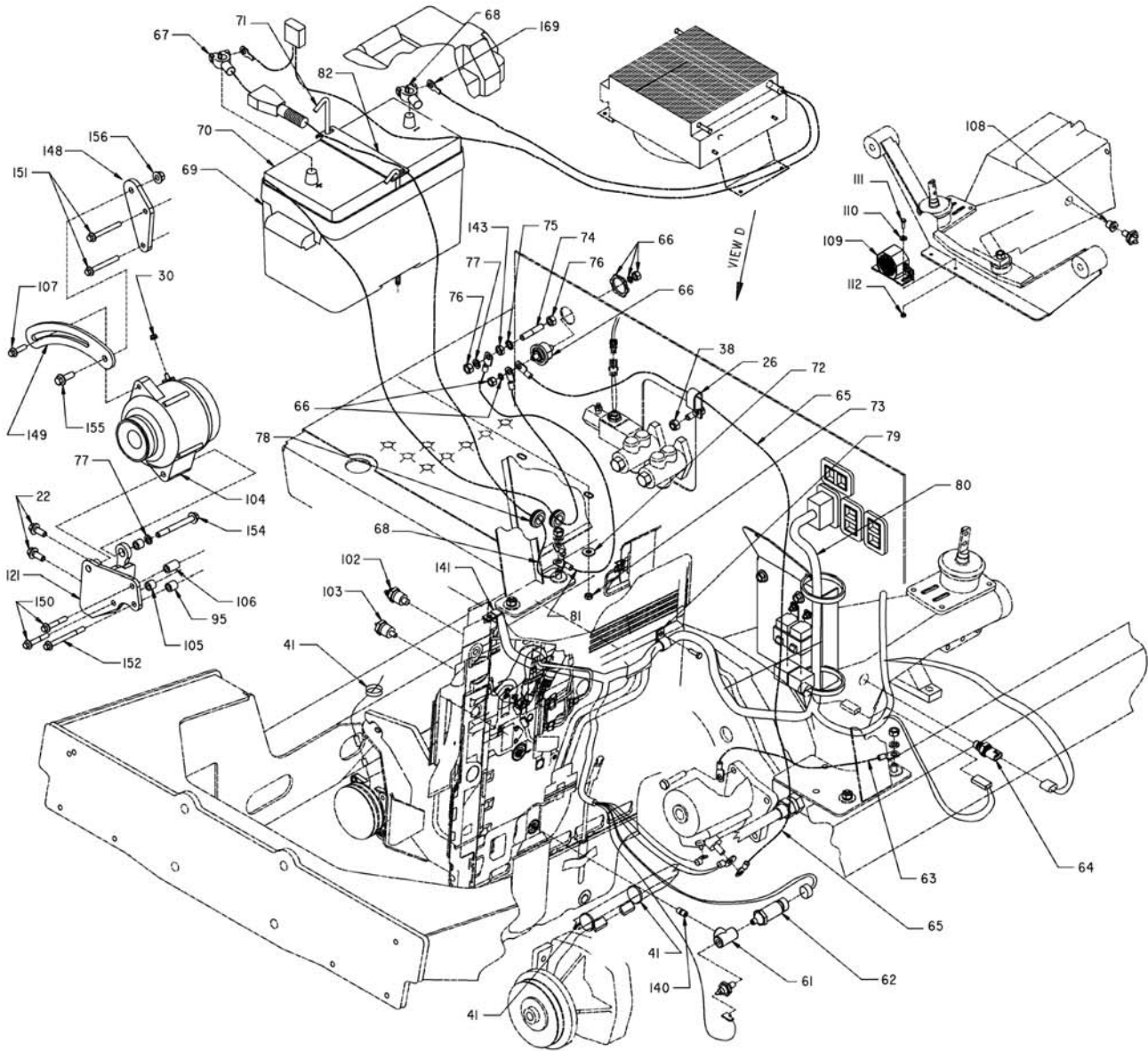
6802170 - ELECTRICAL GROUP-SC

ITEM	PART #	QTY	DESCRIPTION	COMMENTS
41	WR562496	19	TIE CABLE 15.0 .18-4.00 BLACK	
43	6800690	1	HARNESS-SWITCHES	
47	6632180	7	RELAY-40 AMP CONTINUOUS,DUTY	
48	WR55026	7	SCREW-CAP HEX M5 X 12	
49	WR55029	4	SCREW-CAP HEX M5 X 20	
50	WR55103	7	WASHER-LOCK SPRING,5MM ID	
51	WR55071	7	NUT-HEX,M5 X .8 CL10	
52	6804850	1	HARNESS-POWER/CONTROL	
53	WR562639	4	BOLT M6 1.00X12MM G8.8 ZN HHD	
54	6666677	2	LIGHT-INDICATOR	
55	WR11853	1	IGNITION SWITCH LOADER	
56	6597947	1	DECAL-SPRAY PUMP (ENG)	
57	6662055	1	SWITCH-TOGGLE	
58	6667705	1	SWITCH	
59	6597935	1	DECAL-TIP LIFT,RH	
60	6653332	4	EXTENSION-HANDLE	
62	6660204	1	SENSOR-PRESSURE	
63	6800407	1	CABLE-NEGATIVE	
65	6800408	1	CABLE ASSY-POSITIVE	
66	WR29201	1	TERMINAL-STUD, 3/8	
67	6628404	1	CABLE-POSITIVE	
68	6628425	1	CABLE-NEGATIVE	
69	6668692	1	HOUSING-BATTERY	
70	WR515478	1	BATTERY 12 VDC	
71	6801732	2	BOLT-CLAMP,BATTERY	
73	WR55352	2	NUT-TOPLOCK,5/16-18UNC G8	
74	6539697	1	ROD	
75	WR55128	1	WASHER-LOCK EXT TOOTH,	
76	WR50838	2	NUT-HEX,METRIC M10-1.5	
77	WR55106	3	WASHER-LOCK SPRING,10 MM	
80	6804864	1	HARNESS-ENGINE,COMP	
81	6800406	1	CABLE-NEGATIVE	
82	6800429	1	PLATE-CLAMP,BATTERY	
83	6597936	1	DECAL-TIP LIFT,LH (ENG)	
84	6597934	1	DECAL-BOOM LIFT (ENG)	
85	6597990	1	DECAL-AGITATOR (ENG)	
86	6647887	4	SWITCH-ELECTRIC	
90	6597939	1	DECAL-BOOM FOLD,RH (ENG)	
91	6597940	1	DECAL-BOOM FOLD,LH (ENG)	
92	6557904	1	FLASHER	
93	6661252	1	SWITCH-ROCKER	
94	6597941	1	DECAL-PRESSURE,ADJ	
95	6803485	1	TUBE	
96	6667933	1	SWITCH-ROCKER	
97	6597943	1	DECAL-WIPER/WASHER	
98	6661254	1	SWITCH-ROCKER	
99	6597944	1	DECAL-HEADLIGHTS	
100	6661250	2	SWITCH-ROCKER	
101	6597945	1	DECAL-WARNING,LT	
103	WR18171	1	SENDER-TEMP,-8MP	
104	6672015	1	ALTERNATOR-140 AMP	
105	6803487	1	TUBE	
106	6803488	1	TUBE	
107	WR55208	1	SCREW-HEX FLG,M8X1.25X30 CL8.8	
108	WR55169	1	ADAPTER-08MP/-02FP	
109	6579858	1	ALARM-BACKUP	
110	WR550671	2	WASHER-.25,FL,ZN,TYPE-A(N)	
111	WR562327	2	BOLT M6-1.00X20MM G8.8 ZN HHD	
113	6802445	1	HARNESS-HYD	
114	6803586	1	HARNESS-LIGHTS	
115	6804863	1	HARNESS-ENGINE	
116	6800691	1	HARNESS-SPRAY	
117	WR55091	16	SCREW-CAP HEX M4 X 16	
118	WR55102	16	WASHER-LOCK SPRING,4MM ID	
119	WR55249	16	NUT-LOCK,M4 G4D	
120	6644960	1	BUZZER	
121	6803795	1	MOUNT-W/A,ALT	
122	6658506	4	LAMP-FLASHER	



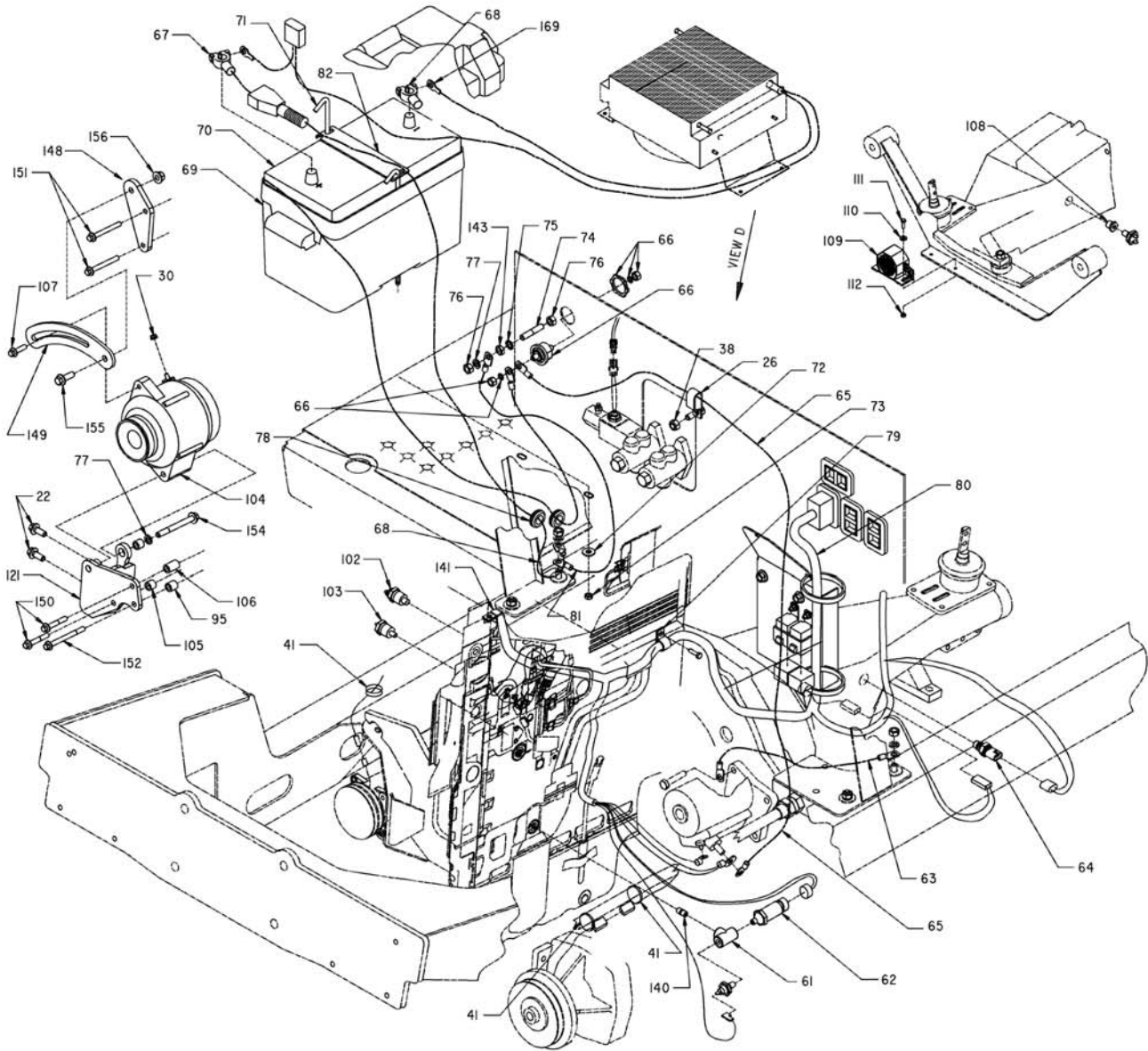
6802170 - ELECTRICAL GROUP-SC

ITEM	PART #	QTY	DESCRIPTION	COMMENTS
123	WR55283	8	SCREW-MACH FLAT SLT HD,	
124	6630140	16	NUT-JACK	
125	6803133	1	HARNESS-FLASHER	
126	6664368	1	LIGHT ASSY-DOME,W/SW	
127	WR55325	4	SCREW-TAP PAN,#8-18 X 3/4	
128	6661371	1	LAMP-COURTESY	
132	WR13354	1	SWITCH-PUSH BUTTON	
134	6659911	1	GAUGE-TEMPERATURE,WATER	
135	6662802	1	GAUGE-OIL PRESSURE	
136	WR25503	1	TACHOMETER W/HOUR METER	
138	6669380	1	CLUSTER-GAUGE	
142	WR55232	4	CLAMP-SUPPORT CUSHION,	
143	WR55250	2	NUT-LOCK,M10 X 1.5 G4D	
144	WR55351	2	NUT-TOPLOCK, 1/4-20UNC G8	
145	WR520907	2	PLUG-HOLE,SWITCH,EATON	
145	6661253	7	SWITCH-ROCKER	
146	6597933	1	DECAL-AXLE,RH (ENG)	
147	6597932	1	DECAL-AXLE,LH (ENG)	
148	6803495	1	PLATE-MOUNT,ALTERNATOR	
149	6803496	1	BRACKET-ALTERNATOR,ADJ	
153	6672267	1	SWITCH-TOGGLE	
155	WR523069	1	BOLT-M10-1.5X30,C8.8,ZN,FLG	
156	WR55301	1	NUT-FLANGE,M10 X 1.5,PREV	
157	6664438	1	KIT-WINDSHIELD WASHER	
158	6803641	1	BRACKET-RELAY	
159	6669415	1	TIMER-SOLENOID	
160	6672497	1	KIT-MOTOR,WIPER	SEE PAGE 7-2
161	6672498	1	ARM-DRIVE,WIPER	
162	6672499	1	SHAFT-WIPER PIVOT	
163	WR609614	1	PANTOGRAPH ARM ADAP KIT	
164	WR609615	1	18 IN PANTOGRAPHIC ARM(B) 518120	
165	6672502	1	BLADE	
167	6804874	1	HARNESS-BRAKE,4000	
168	6673315	2	SWITCH-BRAKE	
169	WR610409	1	TERM-RING,SAE B207 (503295)	



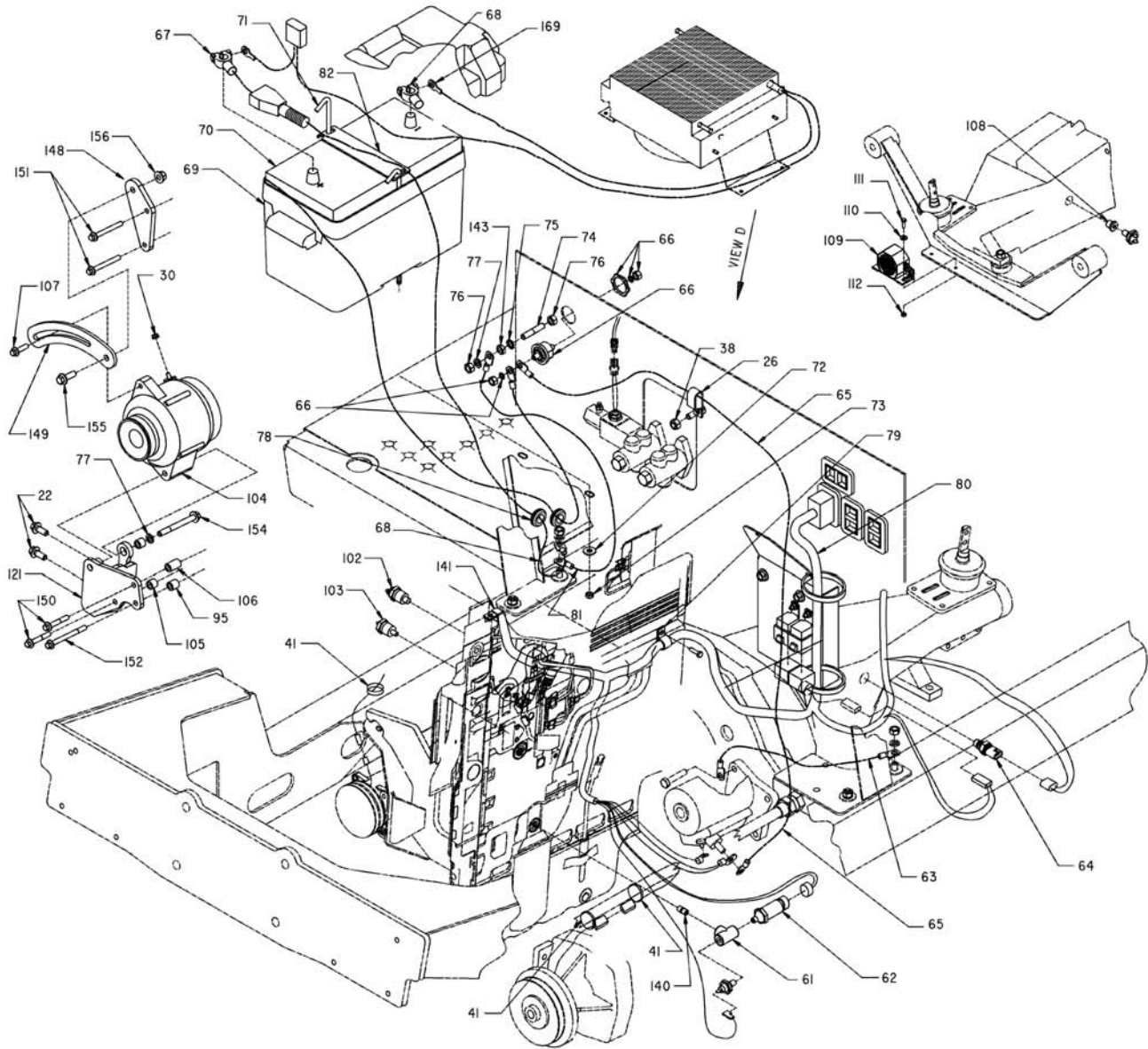
6802170 - ELECTRICAL GROUP-SC

ITEM	PART #	QTY	DESCRIPTION	COMMENTS
0	WR55564	2	HARNES-JUMPER	
0	WR55624	1	SWITCH-TEMPERATURE	
0	WR55648	1	HARNES ALT GRD	
0	WR55650	1	HARNES, GRD PUMP	
0	WR55653	1	HARNES GRD TEMP SWITCH	
0	WR55790	1	DECAL-ENGINE PREHEAT	
0	WR55813	1	HARNES-OIL COOLER	
0	WR55829	1	FAN ASSY-OIL COOLER,A/T	
0	WR55831	1	SWITCH TEMPERATURE	
0	6673122	1	REGULATOR-TIMER	
0	6664224	2	CAP-END,ELECTRICAL	
0	WR120645	2	CLAMP-.875 DIA COATED DOUBLE	
0	6597616	-	INSTL-ELECTRICAL	
0	6597526	-	DIAGRAM-ELECTRICAL	
0	WR24913	1	GAUGE-FUEL,12V	
0	6517924	1	BODY-CONNECTOR	
0	WR25504	1	KIT-LIGHT,TACH/HOUR METER	
0	WR562793	8	NUT HEX M6 X 1.00	
0	WR27196	1	GROMMET-RUBBER, .250 ID,	
0	WR561617	6	WASHER 0.50 FL ZN SAE TYPE-A	
0	WR55271	3	NUT-LOCK,M6 X 1.0,PREV	
0	WR55247	3	CLAMP-SUPPORT CUSHION DBL	
0	WR55233	2	CLAMP-SUPPORT CUSHION,	
0	WR51201	1	WASHER-LOCK,INT/EXT TOOTH	
0	WR512273	-	FLEX GUARD .350LCP [BULK: 1 FT]	
0	WR55104	8	WASHER-LOCK SPRING,6MM ID	
0	WR515762	2	TERM MA 16-14 GA W/PACK	
0	WR515765	2	SEAL CABLE GREY REEL 14 GA	
0	WR551015	2	WASHER 0.31 FL ZN REG TYPE-B	
0	WR515850	1	CONNECTOR ELEC SHROUD 2-CONT F	
0	WR550698	1	BOLT 0.25-20NCX 1.00 G5 ZN HHD	
0	WR550566	10	NUT 0.43-14NC HEX ZN REG	
0	WR55045	1	SCREW-CAP HEX M10 X 16	
1	6626433	1	CARRIER-HOSE	
2	6626432	1	CARRIER-WIRE HARNES	
3	6533975	1	GROMMET	
4	WR55281	10	NUT-FLANGE,M10 X 1.5	
5	6672044	2	LIGHT-HEAD	
6	6596494	2	MOUNT-HEAD LAMP	
7	WR515782	6	WASHER 0.43 FL ZN REG G8	
8	6667718	6	CLIP-RETAINER	
10	WR55202	8	SCREW-HEX FLG,M6X1X16 CL8.8	
11	6665558	1	ALARM-HORN	
12	WR55206	1	SCREW-HEX FLG,M8X1.25X20 CL8.8	
13	WR50830	1	CLAMP-SUPPORT,CUSHION,	
14	WR55410	1	NUT-FLANGE,M8 X 1.25 CL8,	
15	6664372	1	SWITCH-DIMMER	
16	WR550493	4	WASHER LK 0.25 ZN REG	
17	WR550485	8	BOLT.25-20NCX.75 G5 ZN HHD	
19	6803132	1	HARNES-LIGHTS	
19	6618969	1	HARNES-HYD	
20	6628372	1	HARNES-SPRAY	
21	6626479	1	COVER	
22	WR561683	4	BOLT M10-1.5 X 25MM G8.8 ZN HH	
23	6670312	7	SWITCH-MAGNETIC	
24	WR55300	4	NUT-FLANGE,M6 X 1.0,PREV	
26	WR55248	1	CLAMP-SUPPORT CUSHION DBL	
27	6618959	1	SHIELD-WIRE HARNES	
28	6664223	2	OUTLET-ELECTRICAL	
29	WR11514	5	NUT-FLANGE, 3/8	
32	WR25752	4	SCREW-CAP HEX M8 X 16,	
33	WR32254	4	NUT-TOPLOCK,M8-1.25	
34	6671624	2	LAMP-TAIL/LAMP	
35	WR55278	4	SCREW-MACH FLAT SLT HD,	
36	WR553182	4	WASHER #10 LK ZN REG	
37	WR550647	4	NUT 10-24NC HEX ZN REG	
38	WR55312	5	NUT-LOCK HEX,M10 X 1.5,	
39	WR55237	2	CLAMP-SUPPORT CUSHION,	
40	6617401	1	LIGHT ASSY	



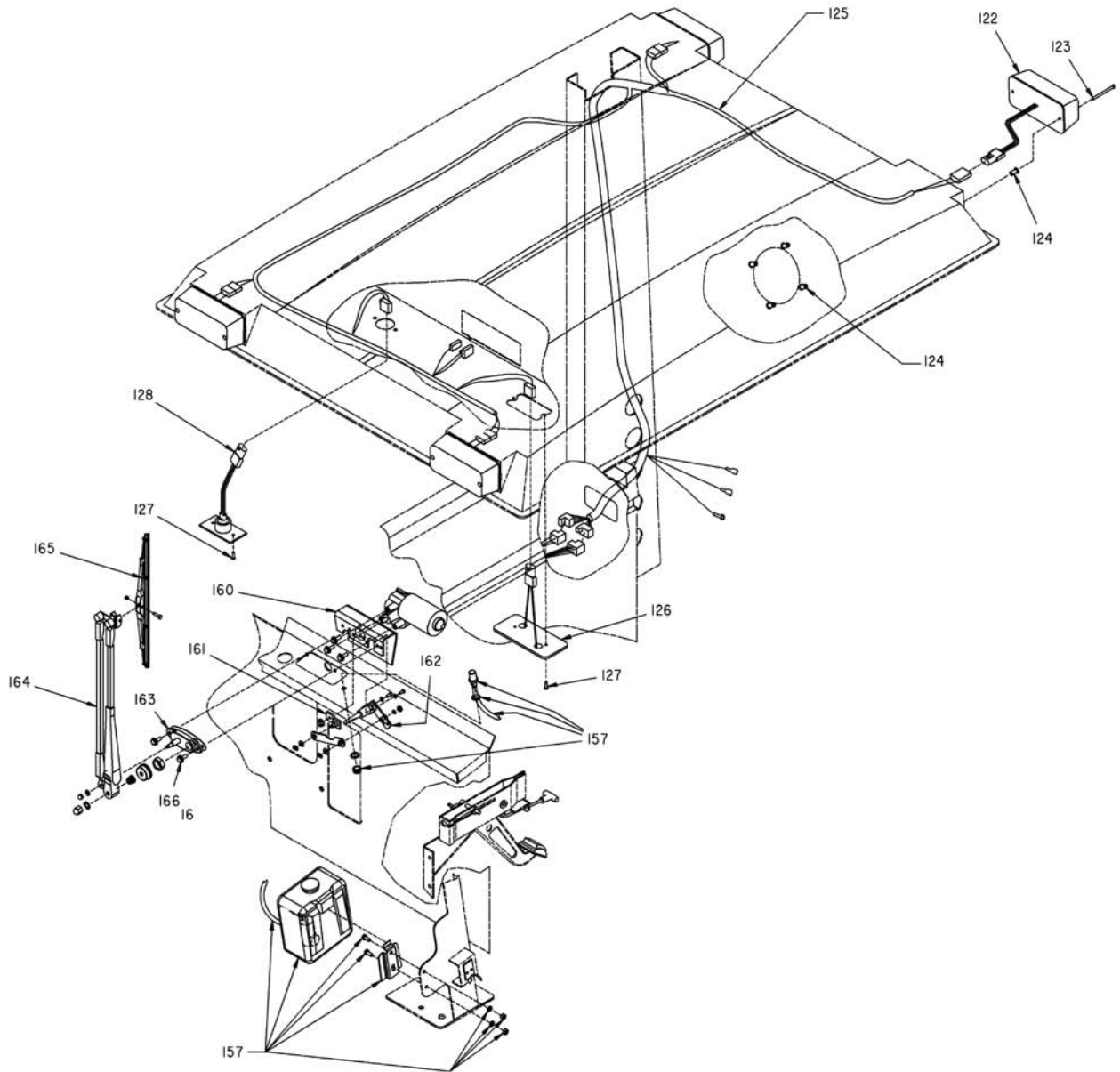
6802170 - ELECTRICAL GROUP-SC

ITEM	PART #	QTY	DESCRIPTION	COMMENTS
41	WR562496	19	TIE CABLE 15.0 .18-4.00 BLACK	
43	6800690	1	HARNESS-SWITCHES	
47	6632180	7	RELAY-40 AMP CONTINUOUS,DUTY	
48	WR55026	7	SCREW-CAP HEX M5 X 12	
49	WR55029	4	SCREW-CAP HEX M5 X 20	
50	WR55103	7	WASHER-LOCK SPRING,5MM ID	
51	WR55071	7	NUT-HEX,M5 X .8 CL10	
52	6804850	1	HARNESS-POWER/CONTROL	
53	WR562639	4	BOLT M6 1.00X12MM G8.8 ZN HHD	
54	6666677	2	LIGHT-INDICATOR	
55	WR11853	1	IGNITION SWITCH LOADER	
56	6597947	1	DECAL-SPRAY PUMP (ENG)	
57	6662055	1	SWITCH-TOGGLE	
58	6667705	1	SWITCH	
59	6597935	1	DECAL-TIP LIFT,RH	
60	6653332	4	EXTENSION-HANDLE	
62	6660204	1	SENSOR-PRESSURE	
63	6800407	1	CABLE-NEGATIVE	
65	6800408	1	CABLE ASSY-POSITIVE	
66	WR29201	1	TERMINAL-STUD, 3/8	
67	6628404	1	CABLE-POSITIVE	
68	6628425	1	CABLE-NEGATIVE	
69	6668692	1	HOUSING-BATTERY	
70	WR515478	1	BATTERY 12 VDC	
71	6801732	2	BOLT-CLAMP,BATTERY	
73	WR55352	2	NUT-TOPLOCK,5/16-18UNC G8	
74	6539697	1	ROD	
75	WR55128	1	WASHER-LOCK EXT TOOTH,	
76	WR50838	2	NUT-HEX,METRIC M10-1.5	
77	WR55106	3	WASHER-LOCK SPRING,10 MM	
80	6804864	1	HARNESS-ENGINE,COMP	
81	6800406	1	CABLE-NEGATIVE	
82	6800429	1	PLATE-CLAMP,BATTERY	
83	6597936	1	DECAL-TIP LIFT,LH (ENG)	
84	6597934	1	DECAL-BOOM LIFT (ENG)	
85	6597990	1	DECAL-AGITATOR (ENG)	
86	6647887	4	SWITCH-ELECTRIC	
90	6597939	1	DECAL-BOOM FOLD,RH (ENG)	
91	6597940	1	DECAL-BOOM FOLD,LH (ENG)	
92	6557904	1	FLASHER	
93	6661252	1	SWITCH-ROCKER	
94	6597941	1	DECAL-PRESSURE,ADJ	
95	6803485	1	TUBE	
96	6667933	1	SWITCH-ROCKER	
97	6597943	1	DECAL-WIPER/WASHER	
98	6661254	1	SWITCH-ROCKER	
99	6597944	1	DECAL-HEADLIGHTS	
100	6661250	2	SWITCH-ROCKER	
101	6597945	1	DECAL-WARNING,LT	
103	WR18171	1	SENDER-TEMP,-8MP	
104	6672015	1	ALTERNATOR-140 AMP	
105	6803487	1	TUBE	
106	6803488	1	TUBE	
107	WR55208	1	SCREW-HEX FLG,M8X1.25X30 CL8.8	
108	WR55169	1	ADAPTER-08MP/-02FP	
109	6579858	1	ALARM-BACKUP	
110	WR550671	2	WASHER-.25,FL,ZN,TYPE-A(N)	
111	WR562327	2	BOLT M6-1.00X20MM G8.8 ZN HHD	
113	6802445	1	HARNESS-HYD	
114	6803586	1	HARNESS-LIGHTS	
115	6804863	1	HARNESS-ENGINE	
116	6800691	1	HARNESS-SPRAY	
117	WR55091	16	SCREW-CAP HEX M4 X 16	
118	WR55102	16	WASHER-LOCK SPRING,4MM ID	
119	WR55249	16	NUT-LOCK,M4 G4D	
120	6644960	1	BUZZER	
121	6803795	1	MOUNT-W/A,ALT	
122	6658506	4	LAMP-FLASHER	



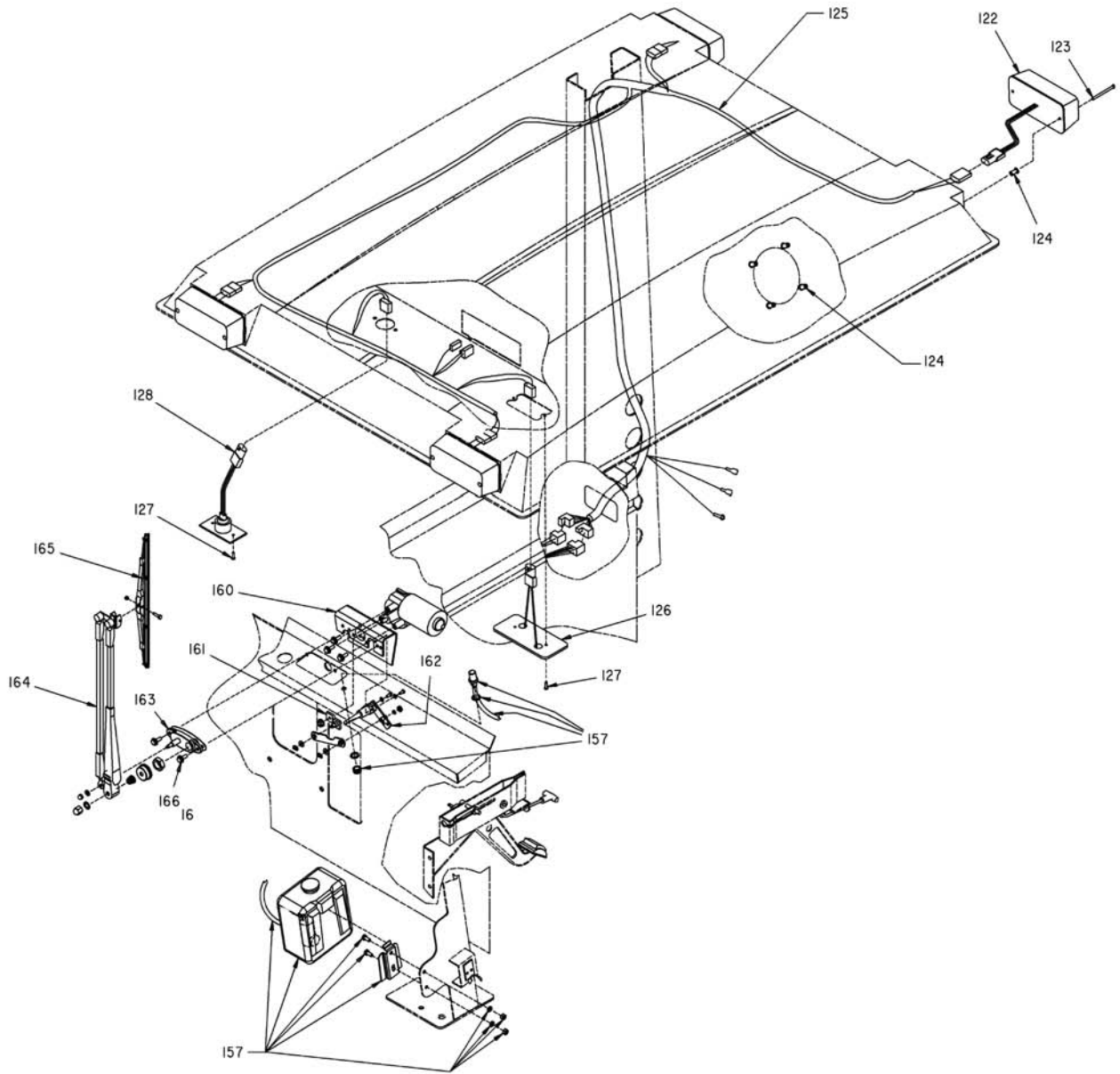
6802170 - ELECTRICAL GROUP-SC

ITEM	PART #	QTY	DESCRIPTION	COMMENTS
123	WR55283	8	SCREW-MACH FLAT SLT HD,	
124	6630140	16	NUT-JACK	
125	6803133	1	HARNESS-FLASHER	
126	6664368	1	LIGHT ASSY-DOME,W/SW	
127	WR55325	4	SCREW-TAP PAN,#8-18 X 3/4	
128	6661371	1	LAMP-COURTESY	
132	WR13354	1	SWITCH-PUSH BUTTON	
134	6659911	1	GAUGE-TEMPERATURE,WATER	
135	6662802	1	GAUGE-OIL PRESSURE	
136	WR25503	1	TACHOMETER W/HOUR METER	
138	6669380	1	CLUSTER-GAUGE	
142	WR55232	4	CLAMP-SUPPORT CUSHION,	
143	WR55250	2	NUT-LOCK,M10 X 1.5 G4D	
144	WR55351	2	NUT-TOPLOCK, 1/4-20UNC G8	
145	6661253	7	SWITCH-ROCKER	
145	WR520907	2	PLUG-HOLE,SWITCH,EATON	
146	6597933	1	DECAL-AXLE,RH (ENG)	
147	6597932	1	DECAL-AXLE,LH (ENG)	
148	6803495	1	PLATE-MOUNT,ALTERNATOR	
149	6803496	1	BRACKET-ALTERNATOR,ADJ	
153	6672267	1	SWITCH-TOGGLE	
155	WR523069	1	BOLT-M10-1.5X30,C8.8,ZN,FLG	
156	WR55301	1	NUT-FLANGE,M10 X 1.5,PREV	
157	6664438	1	KIT-WINDSHIELD WASHER	
158	6803641	1	BRACKET-RELAY	
159	6669415	1	TIMER-SOLENOID	
160	6672497	1	KIT-MOTOR,WIPER	SEE PAGE 7-2
161	6672498	1	ARM-DRIVE,WIPER	
162	6672499	1	SHAFT-WIPER PIVOT	
163	WR609614	1	PANTOGRAPH ARM ADAP KIT	
164	WR609615	1	18 IN PANTOGRAPHIC ARM(B) 518120	
165	6672502	1	BLADE	
167	6804874	1	HARNESS-BRAKE,4000	
168	6673315	2	SWITCH-BRAKE	
169	WR610409	1	TERM-RING,SAE B207 (503295)	



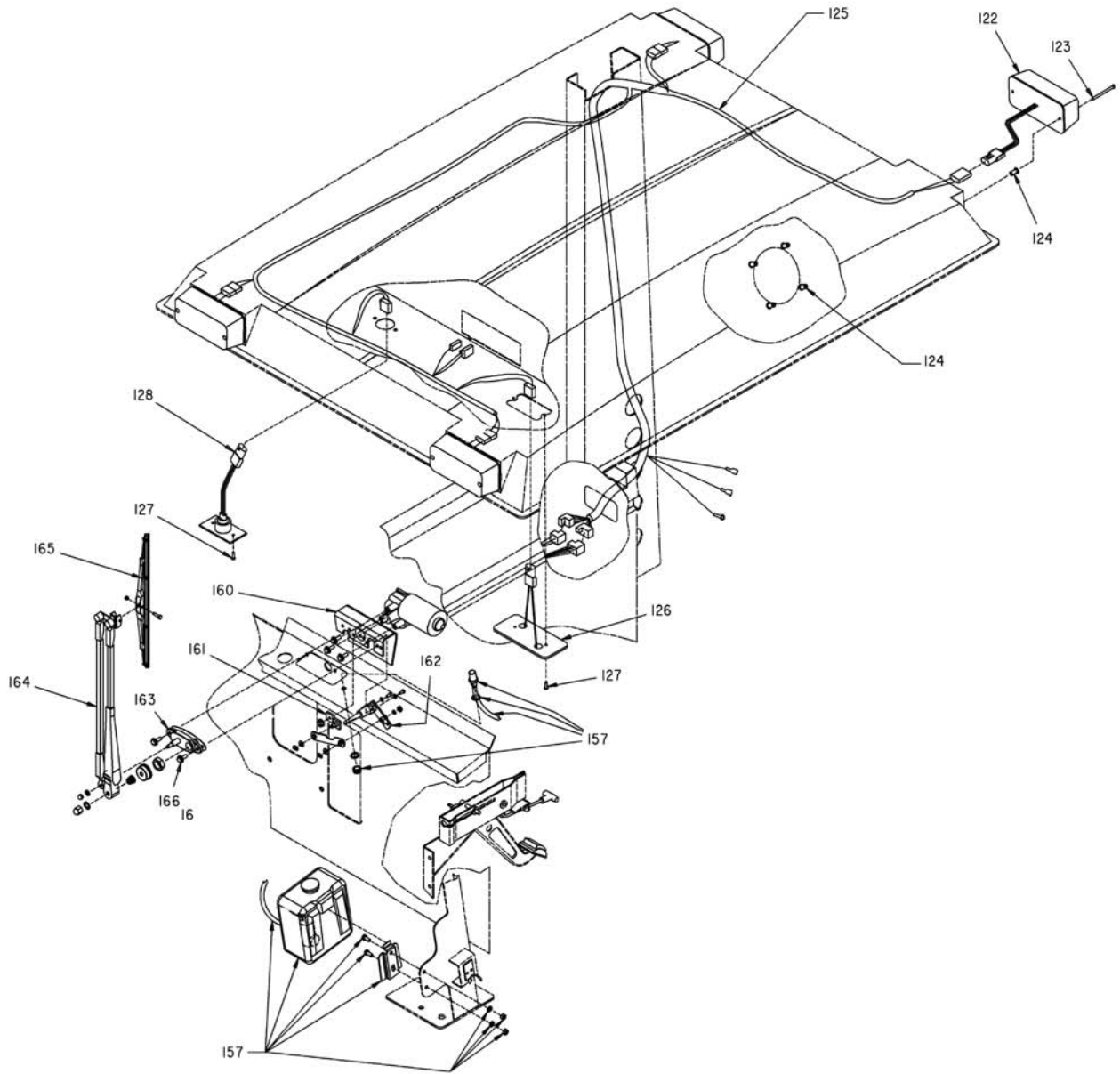
6802170 - ELECTRICAL GROUP-SC

ITEM	PART #	QTY	DESCRIPTION	COMMENTS
0	WR55564	2	HARNES-JUMPER	
0	WR55624	1	SWITCH-TEMPERATURE	
0	WR55648	1	HARNES ALT GRD	
0	WR55650	1	HARNES, GRD PUMP	
0	WR55653	1	HARNES GRD TEMP SWITCH	
0	WR55790	1	DECAL-ENGINE PREHEAT	
0	WR55813	1	HARNES-OIL COOLER	
0	WR55829	1	FAN ASSY-OIL COOLER,A/T	
0	WR55831	1	SWITCH TEMPERATURE	
0	WR515850	1	CONNECTOR ELEC SHROUD 2-CONT F	
0	WR55233	2	CLAMP-SUPPORT CUSHION,	
0	WR55247	3	CLAMP-SUPPORT CUSHION DBL	
0	6517924	1	BODY-CONNECTOR	
0	6597526	-	DIAGRAM-ELECTRICAL	
0	6597616	-	INSTL-ELECTRICAL	
0	6664224	2	CAP-END,ELECTRICAL	
0	6673122	1	REGULATOR-TIMER	
0	WR27196	1	GROMMET-RUBBER, .250 ID,	
0	WR51201	1	WASHER-LOCK,INT/EXT TOOTH	
0	WR55045	1	SCREW-CAP HEX M10 X 16	
0	WR550566	10	NUT 0.43-14NC HEX ZN REG	
0	WR550698	1	BOLT 0.25-20NCX 1.00 G5 ZN HHD	
0	WR551015	2	WASHER 0.31 FL ZN REG TYPE-B	
0	WR55104	8	WASHER-LOCK SPRING,6MM ID	
0	WR55271	3	NUT-LOCK,M6 X 1.0,PREV	
0	WR562793	8	NUT HEX M6 X 1.00	
0	WR25504	1	KIT-LIGHT,TACH/HOUR METER	
0	WR120645	2	CLAMP-.875 DIA COATED DOUBLE	
0	WR24913	1	GAUGE-FUEL,12V	
0	WR561617	6	WASHER 0.50 FL ZN SAE TYPE-A	
0	WR515765	2	SEAL CABLE GREY REEL 14 GA	
0	WR515762	2	TERM MA 16-14 GA W/PACK	
0	WR512273	-	FLEX GUARD .350LCP [BULK: 1 FT]	
1	6626433	1	CARRIER-HOSE	
2	6626432	1	CARRIER-WIRE HARNES	
3	6533975	1	GROMMET	
4	WR55281	10	NUT-FLANGE,M10 X 1.5	
5	6672044	2	LIGHT-HEAD	
6	6596494	2	MOUNT-HEAD LAMP	
7	WR515782	6	WASHER 0.43 FL ZN REG G8	
8	6667718	6	CLIP-RETAINER	
10	WR55202	8	SCREW-HEX FLG,M6X1X16 CL8.8	
11	6665558	1	ALARM-HORN	
12	WR55206	1	SCREW-HEX FLG,M8X1.25X20 CL8.8	
13	WR50830	1	CLAMP-SUPPORT,CUSHION,	
14	WR55410	1	NUT-FLANGE,M8 X 1.25 CL8,	
15	6664372	1	SWITCH-DIMMER	
16	WR550493	4	WASHER LK 0.25 ZN REG	
17	WR550485	8	BOLT.25-20NCX.75 G5 ZN HHD	
19	6618969	1	HARNES-HYD	
19	6803132	1	HARNES-LIGHTS	
20	6628372	1	HARNES-SPRAY	
21	6626479	1	COVER	
22	WR561683	4	BOLT M10-1.5 X 25MM G8.8 ZN HH	
23	6670312	7	SWITCH-MAGNETIC	
24	WR55300	4	NUT-FLANGE,M6 X 1.0,PREV	
26	WR55248	1	CLAMP-SUPPORT CUSHION DBL	
27	6618959	1	SHIELD-WIRE HARNES	
28	6664223	2	OUTLET-ELECTRICAL	
29	WR11514	5	NUT-FLANGE, 3/8	
32	WR25752	4	SCREW-CAP HEX M8 X 16,	
33	WR32254	4	NUT-TOPLOCK,M8-1.25	
34	6671624	2	LAMP-TAIL/LAMP	
35	WR55278	4	SCREW-MACH FLAT SLT HD,	
36	WR553182	4	WASHER #10 LK ZN REG	
37	WR550647	4	NUT 10-24NC HEX ZN REG	
38	WR55312	5	NUT-LOCK HEX,M10 X 1.5,	
39	WR55237	2	CLAMP-SUPPORT CUSHION,	
40	6617401	1	LIGHT ASSY	



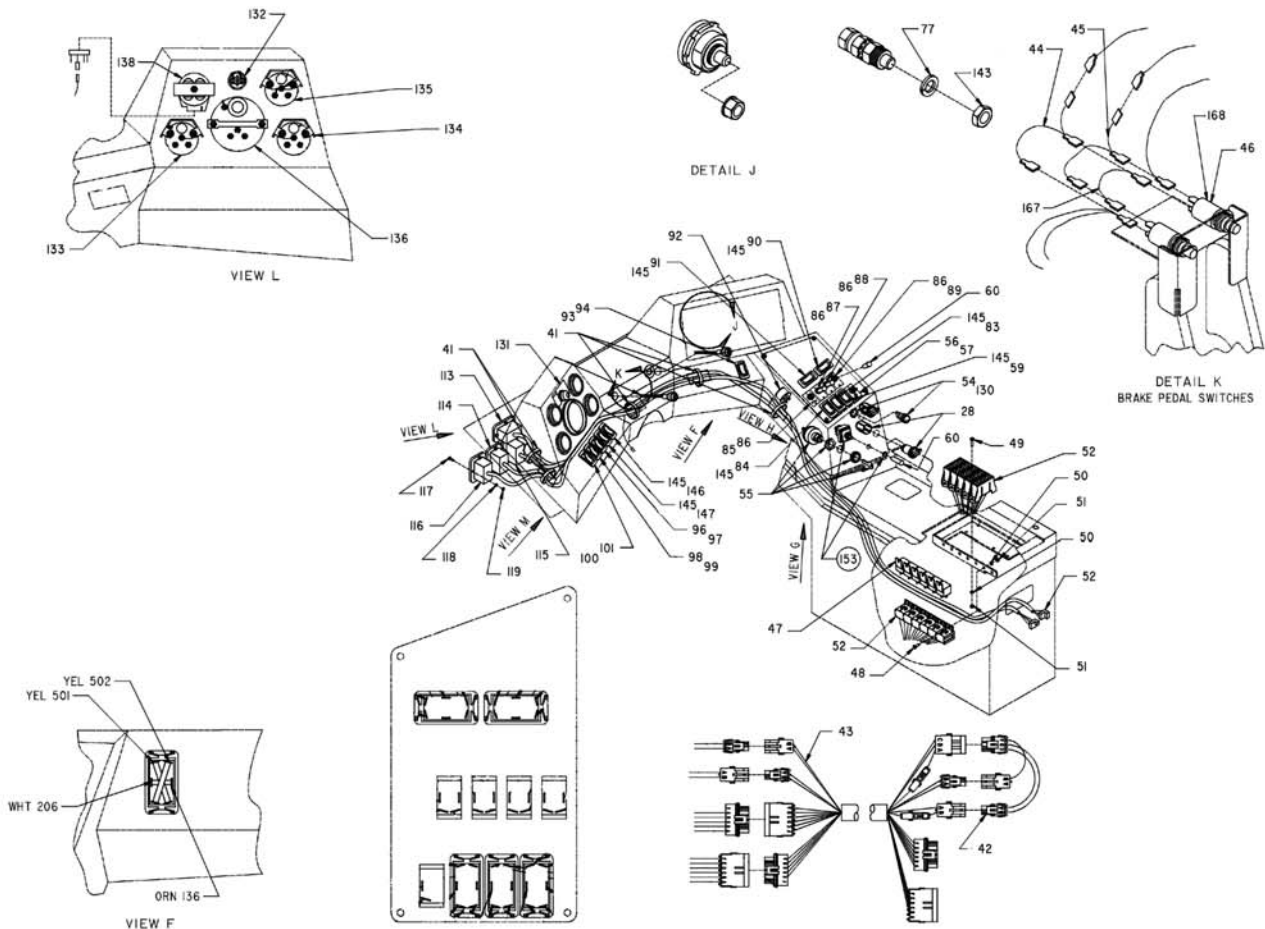
6802170 - ELECTRICAL GROUP-SC

ITEM	PART #	QTY	DESCRIPTION	COMMENTS
41	WR562496	19	TIE CABLE 15.0 .18-4.00 BLACK	
43	6800690	1	HARNESS-SWITCHES	
47	6632180	7	RELAY-40 AMP CONTINUOUS,DUTY	
48	WR55026	7	SCREW-CAP HEX M5 X 12	
49	WR55029	4	SCREW-CAP HEX M5 X 20	
50	WR55103	7	WASHER-LOCK SPRING,5MM ID	
51	WR55071	7	NUT-HEX,M5 X .8 CL10	
52	6804850	1	HARNESS-POWER/CONTROL	
53	WR562639	4	BOLT M6 1.00X12MM G8.8 ZN HHD	
54	6666677	2	LIGHT-INDICATOR	
55	WR11853	1	IGNITION SWITCH LOADER	
56	6597947	1	DECAL-SPRAY PUMP (ENG)	
57	6662055	1	SWITCH-TOGGLE	
58	6667705	1	SWITCH	
59	6597935	1	DECAL-TIP LIFT,RH	
60	6653332	4	EXTENSION-HANDLE	
62	6660204	1	SENSOR-PRESSURE	
63	6800407	1	CABLE-NEGATIVE	
65	6800408	1	CABLE ASSY-POSITIVE	
66	WR29201	1	TERMINAL-STUD, 3/8	
67	6628404	1	CABLE-POSITIVE	
68	6628425	1	CABLE-NEGATIVE	
69	6668692	1	HOUSING-BATTERY	
70	WR515478	1	BATTERY 12 VDC	
71	6801732	2	BOLT-CLAMP,BATTERY	
73	WR55352	2	NUT-TOPLOCK,5/16-18UNC G8	
74	6539697	1	ROD	
75	WR55128	1	WASHER-LOCK EXT TOOTH,	
76	WR50838	2	NUT-HEX,METRIC M10-1.5	
77	WR55106	3	WASHER-LOCK SPRING,10 MM	
80	6804864	1	HARNESS-ENGINE,COMP	
81	6800406	1	CABLE-NEGATIVE	
82	6800429	1	PLATE-CLAMP,BATTERY	
83	6597936	1	DECAL-TIP LIFT,LH (ENG)	
84	6597934	1	DECAL-BOOM LIFT (ENG)	
85	6597990	1	DECAL-AGITATOR (ENG)	
86	6647887	4	SWITCH-ELECTRIC	
90	6597939	1	DECAL-BOOM FOLD,RH (ENG)	
91	6597940	1	DECAL-BOOM FOLD,LH (ENG)	
92	6557904	1	FLASHER	
93	6661252	1	SWITCH-ROCKER	
94	6597941	1	DECAL-PRESSURE,ADJ	
95	6803485	1	TUBE	
96	6667933	1	SWITCH-ROCKER	
97	6597943	1	DECAL-WIPER/WASHER	
98	6661254	1	SWITCH-ROCKER	
99	6597944	1	DECAL-HEADLIGHTS	
100	6661250	2	SWITCH-ROCKER	
101	6597945	1	DECAL-WARNING,LT	
103	WR18171	1	SENDER-TEMP,-8MP	
104	6672015	1	ALTERNATOR-140 AMP	
105	6803487	1	TUBE	
106	6803488	1	TUBE	
107	WR55208	1	SCREW-HEX FLG,M8X1.25X30 CL8.8	
108	WR55169	1	ADAPTER-08MP/-02FP	
109	6579858	1	ALARM-BACKUP	
110	WR550671	2	WASHER-.25,FL,ZN,TYPE-A(N)	
111	WR562327	2	BOLT M6-1.00X20MM G8.8 ZN HHD	
113	6802445	1	HARNESS-HYD	
114	6803586	1	HARNESS-LIGHTS	
115	6804863	1	HARNESS-ENGINE	
116	6800691	1	HARNESS-SPRAY	
117	WR55091	16	SCREW-CAP HEX M4 X 16	
118	WR55102	16	WASHER-LOCK SPRING,4MM ID	
119	WR55249	16	NUT-LOCK,M4 G4D	
120	6644960	1	BUZZER	
121	6803795	1	MOUNT-W/A,ALT	
122	6658506	4	LAMP-FLASHER	



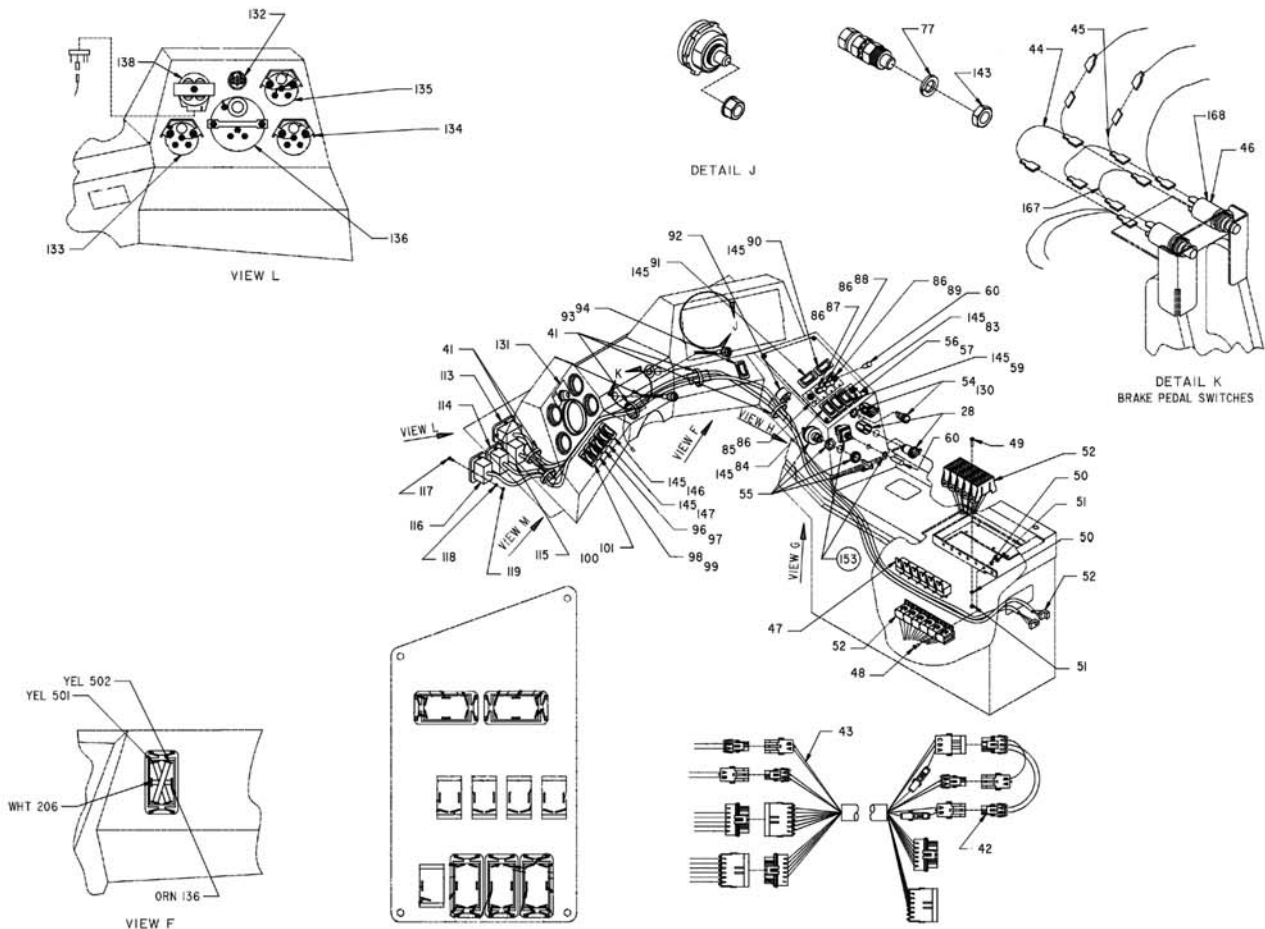
6802170 - ELECTRICAL GROUP-SC

ITEM	PART #	QTY	DESCRIPTION	COMMENTS
123	WR55283	8	SCREW-MACH FLAT SLT HD,	
124	6630140	16	NUT-JACK	
125	6803133	1	HARNESS-FLASHER	
126	6664368	1	LIGHT ASSY-DOME,W/SW	
127	WR55325	4	SCREW-TAP PAN,#8-18 X 3/4	
128	6661371	1	LAMP-COURTESY	
132	WR13354	1	SWITCH-PUSH BUTTON	
134	6659911	1	GAUGE-TEMPERATURE,WATER	
135	6662802	1	GAUGE-OIL PRESSURE	
136	WR25503	1	TACHOMETER W/HOUR METER	
138	6669380	1	CLUSTER-GAUGE	
142	WR55232	4	CLAMP-SUPPORT CUSHION,	
143	WR55250	2	NUT-LOCK,M10 X 1.5 G4D	
144	WR55351	2	NUT-TOPLOCK, 1/4-20UNC G8	
145	WR520907	2	PLUG-HOLE,SWITCH,EATON	
145	6661253	7	SWITCH-ROCKER	
146	6597933	1	DECAL-AXLE,RH (ENG)	
147	6597932	1	DECAL-AXLE,LH (ENG)	
148	6803495	1	PLATE-MOUNT,ALTERNATOR	
149	6803496	1	BRACKET-ALTERNATOR,ADJ	
153	6672267	1	SWITCH-TOGGLE	
155	WR523069	1	BOLT-M10-1.5X30,C8.8,ZN,FLG	
156	WR55301	1	NUT-FLANGE,M10 X 1.5,PREV	
157	6664438	1	KIT-WINDSHIELD WASHER	
158	6803641	1	BRACKET-RELAY	
159	6669415	1	TIMER-SOLENOID	
160	6672497	1	KIT-MOTOR,WIPER	SEE PAGE 7-2
161	6672498	1	ARM-DRIVE,WIPER	
162	6672499	1	SHAFT-WIPER PIVOT	
163	WR609614	1	PANTOGRAPH ARM ADAP KIT	
164	WR609615	1	18 IN PANTOGRAPHIC ARM(B) 518120	
165	6672502	1	BLADE	
167	6804874	1	HARNESS-BRAKE,4000	
168	6673315	2	SWITCH-BRAKE	
169	WR610409	1	TERM-RING,SAE B207 (503295)	



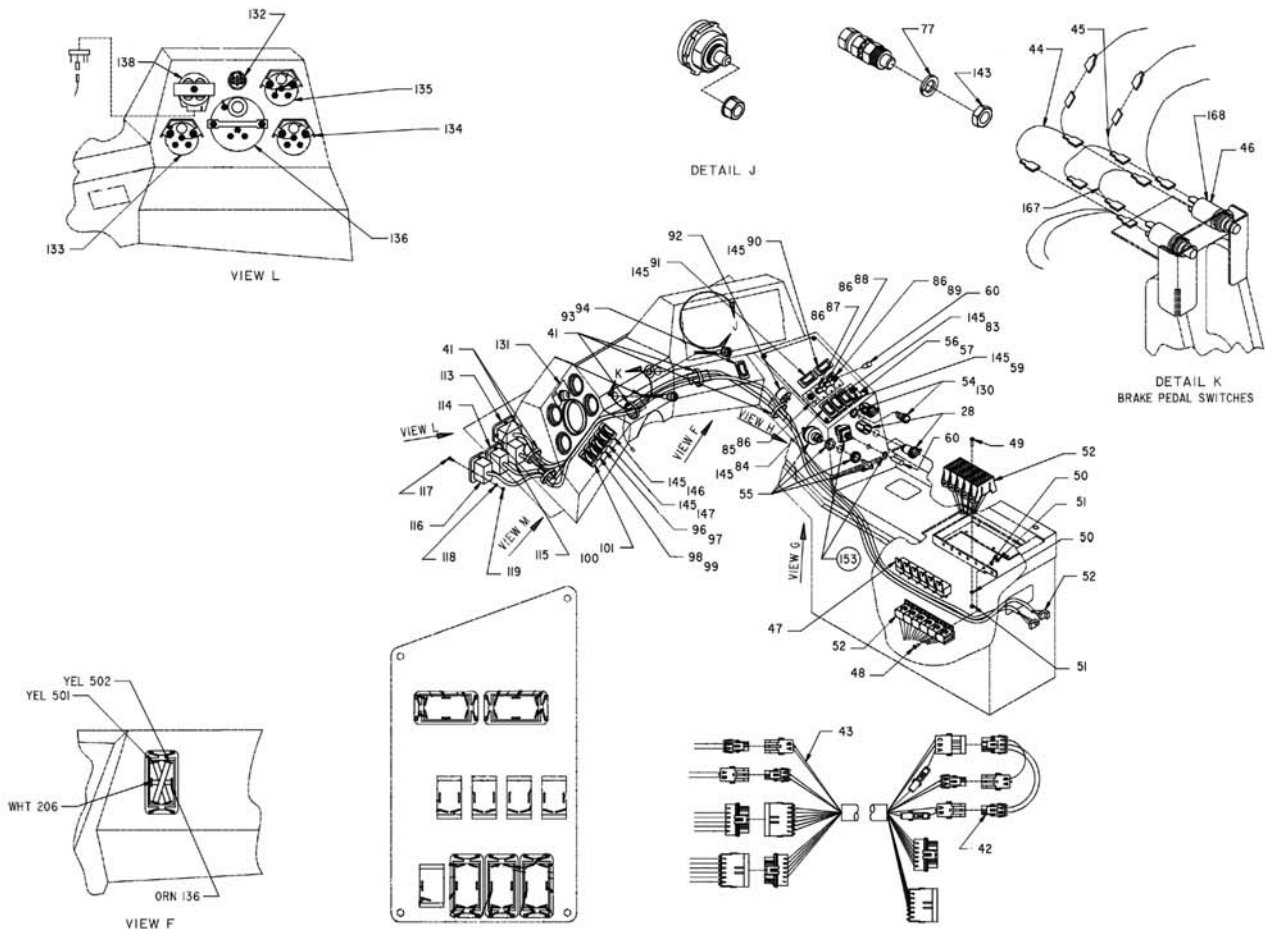
6802170 - ELECTRICAL GROUP-SC

ITEM	PART #	QTY	DESCRIPTION	COMMENTS
0	WR55564	2	HARNES-JUMPER	
0	WR55624	1	SWITCH-TEMPERATURE	
0	WR55648	1	HARNES ALT GRD	
0	WR55650	1	HARNES, GRD PUMP	
0	WR55653	1	HARNES GRD TEMP SWITCH	
0	WR55790	1	DECAL-ENGINE PREHEAT	
0	WR55813	1	HARNES-OIL COOLER	
0	WR55829	1	FAN ASSY-OIL COOLER,A/T	
0	WR55831	1	SWITCH TEMPERATURE	
0	6673122	1	REGULATOR-TIMER	
0	6664224	2	CAP-END,ELECTRICAL	
0	WR120645	2	CLAMP-.875 DIA COATED DOUBLE	
0	6597616	-	INSTL-ELECTRICAL	
0	6597526	-	DIAGRAM-ELECTRICAL	
0	WR24913	1	GAUGE-FUEL,12V	
0	6517924	1	BODY-CONNECTOR	
0	WR25504	1	KIT-LIGHT,TACH/HOUR METER	
0	WR562793	8	NUT HEX M6 X 1.00	
0	WR27196	1	GROMMET-RUBBER, .250 ID,	
0	WR561617	6	WASHER 0.50 FL ZN SAE TYPE-A	
0	WR55271	3	NUT-LOCK,M6 X 1.0,PREV	
0	WR55247	3	CLAMP-SUPPORT CUSHION DBL	
0	WR55233	2	CLAMP-SUPPORT CUSHION,	
0	WR51201	1	WASHER-LOCK,INT/EXT TOOTH	
0	WR512273	-	FLEX GUARD .350LCP [BULK: 1 FT]	
0	WR55104	8	WASHER-LOCK SPRING,6MM ID	
0	WR515762	2	TERM MA 16-14 GA W/PACK	
0	WR515765	2	SEAL CABLE GREY REEL 14 GA	
0	WR551015	2	WASHER 0.31 FL ZN REG TYPE-B	
0	WR515850	1	CONNECTOR ELEC SHROUD 2-CONT F	
0	WR550698	1	BOLT 0.25-20NCX 1.00 G5 ZN HHD	
0	WR550566	10	NUT 0.43-14NC HEX ZN REG	
0	WR55045	1	SCREW-CAP HEX M10 X 16	
1	6626433	1	CARRIER-HOSE	
2	6626432	1	CARRIER-WIRE HARNES	
3	6533975	1	GROMMET	
4	WR55281	10	NUT-FLANGE,M10 X 1.5	
5	6672044	2	LIGHT-HEAD	
6	6596494	2	MOUNT-HEAD LAMP	
7	WR515782	6	WASHER 0.43 FL ZN REG G8	
8	6667718	6	CLIP-RETAINER	
10	WR55202	8	SCREW-HEX FLG,M6X1X16 CL8.8	
11	6665558	1	ALARM-HORN	
12	WR55206	1	SCREW-HEX FLG,M8X1.25X20 CL8.8	
13	WR50830	1	CLAMP-SUPPORT,CUSHION,	
14	WR55410	1	NUT-FLANGE,M8 X 1.25 CL8,	
15	6664372	1	SWITCH-DIMMER	
16	WR550493	4	WASHER LK 0.25 ZN REG	
17	WR550485	8	BOLT.25-20NCX.75 G5 ZN HHD	
19	6803132	1	HARNES-LIGHTS	
19	6618969	1	HARNES-HYD	
20	6628372	1	HARNES-SPRAY	
21	6626479	1	COVER	
22	WR561683	4	BOLT M10-1.5 X 25MM G8.8 ZN HH	
23	6670312	7	SWITCH-MAGNETIC	
24	WR55300	4	NUT-FLANGE,M6 X 1.0,PREV	
26	WR55248	1	CLAMP-SUPPORT CUSHION DBL	
27	6618959	1	SHIELD-WIRE HARNES	
28	6664223	2	OUTLET-ELECTRICAL	
29	WR11514	5	NUT-FLANGE, 3/8	
32	WR25752	4	SCREW-CAP HEX M8 X 16,	
33	WR32254	4	NUT-TOPLOCK,M8-1.25	
34	6671624	2	LAMP-TAIL/LAMP	
35	WR55278	4	SCREW-MACH FLAT SLT HD,	
36	WR553182	4	WASHER #10 LK ZN REG	
37	WR550647	4	NUT 10-24NC HEX ZN REG	
38	WR55312	5	NUT-LOCK HEX,M10 X 1.5,	
39	WR55237	2	CLAMP-SUPPORT CUSHION,	
40	6617401	1	LIGHT ASSY	



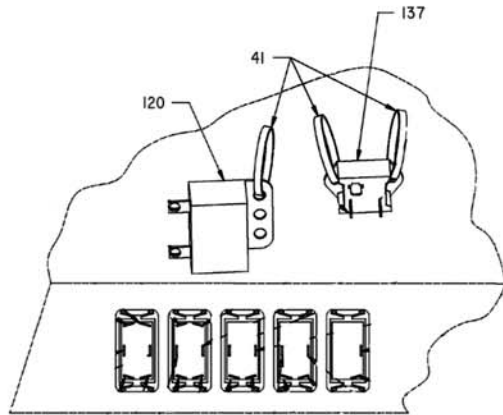
6802170 - ELECTRICAL GROUP-SC

ITEM	PART #	QTY	DESCRIPTION	COMMENTS
41	WR562496	19	TIE CABLE 15.0 .18-4.00 BLACK	
43	6800690	1	HARNESS-SWITCHES	
47	6632180	7	RELAY-40 AMP CONTINUOUS,DUTY	
48	WR55026	7	SCREW-CAP HEX M5 X 12	
49	WR55029	4	SCREW-CAP HEX M5 X 20	
50	WR55103	7	WASHER-LOCK SPRING,5MM ID	
51	WR55071	7	NUT-HEX,M5 X .8 CL10	
52	6804850	1	HARNESS-POWER/CONTROL	
53	WR562639	4	BOLT M6 1.00X12MM G8.8 ZN HHD	
54	6666677	2	LIGHT-INDICATOR	
55	WR11853	1	IGNITION SWITCH LOADER	
56	6597947	1	DECAL-SPRAY PUMP (ENG)	
57	6662055	1	SWITCH-TOGGLE	
58	6667705	1	SWITCH	
59	6597935	1	DECAL-TIP LIFT,RH	
60	6653332	4	EXTENSION-HANDLE	
62	6660204	1	SENSOR-PRESSURE	
63	6800407	1	CABLE-NEGATIVE	
65	6800408	1	CABLE ASSY-POSITIVE	
66	WR29201	1	TERMINAL-STUD, 3/8	
67	6628404	1	CABLE-POSITIVE	
68	6628425	1	CABLE-NEGATIVE	
69	6668692	1	HOUSING-BATTERY	
70	WR515478	1	BATTERY 12 VDC	
71	6801732	2	BOLT-CLAMP,BATTERY	
73	WR55352	2	NUT-TOPLOCK,5/16-18UNC G8	
74	6539697	1	ROD	
75	WR55128	1	WASHER-LOCK EXT TOOTH,	
76	WR50838	2	NUT-HEX,METRIC M10-1.5	
77	WR55106	3	WASHER-LOCK SPRING,10 MM	
80	6804864	1	HARNESS-ENGINE,COMP	
81	6800406	1	CABLE-NEGATIVE	
82	6800429	1	PLATE-CLAMP,BATTERY	
83	6597936	1	DECAL-TIP LIFT,LH (ENG)	
84	6597934	1	DECAL-BOOM LIFT (ENG)	
85	6597990	1	DECAL-AGITATOR (ENG)	
86	6647887	4	SWITCH-ELECTRIC	
90	6597939	1	DECAL-BOOM FOLD,RH (ENG)	
91	6597940	1	DECAL-BOOM FOLD,LH (ENG)	
92	6557904	1	FLASHER	
93	6661252	1	SWITCH-ROCKER	
94	6597941	1	DECAL-PRESSURE,ADJ	
95	6803485	1	TUBE	
96	6667933	1	SWITCH-ROCKER	
97	6597943	1	DECAL-WIPER/WASHER	
98	6661254	1	SWITCH-ROCKER	
99	6597944	1	DECAL-HEADLIGHTS	
100	6661250	2	SWITCH-ROCKER	
101	6597945	1	DECAL-WARNING,LT	
103	WR18171	1	SENDER-TEMP,-8MP	
104	6672015	1	ALTERNATOR-140 AMP	
105	6803487	1	TUBE	
106	6803488	1	TUBE	
107	WR55208	1	SCREW-HEX FLG,M8X1.25X30 CL8.8	
108	WR55169	1	ADAPTER-08MP/-02FP	
109	6579858	1	ALARM-BACKUP	
110	WR550671	2	WASHER-.25,FL,ZN,TYPE-A(N)	
111	WR562327	2	BOLT M6-1.00X20MM G8.8 ZN HHD	
113	6802445	1	HARNESS-HYD	
114	6803586	1	HARNESS-LIGHTS	
115	6804863	1	HARNESS-ENGINE	
116	6800691	1	HARNESS-SPRAY	
117	WR55091	16	SCREW-CAP HEX M4 X 16	
118	WR55102	16	WASHER-LOCK SPRING,4MM ID	
119	WR55249	16	NUT-LOCK,M4 G4D	
120	6644960	1	BUZZER	
121	6803795	1	MOUNT-W/A,ALT	
122	6658506	4	LAMP-FLASHER	

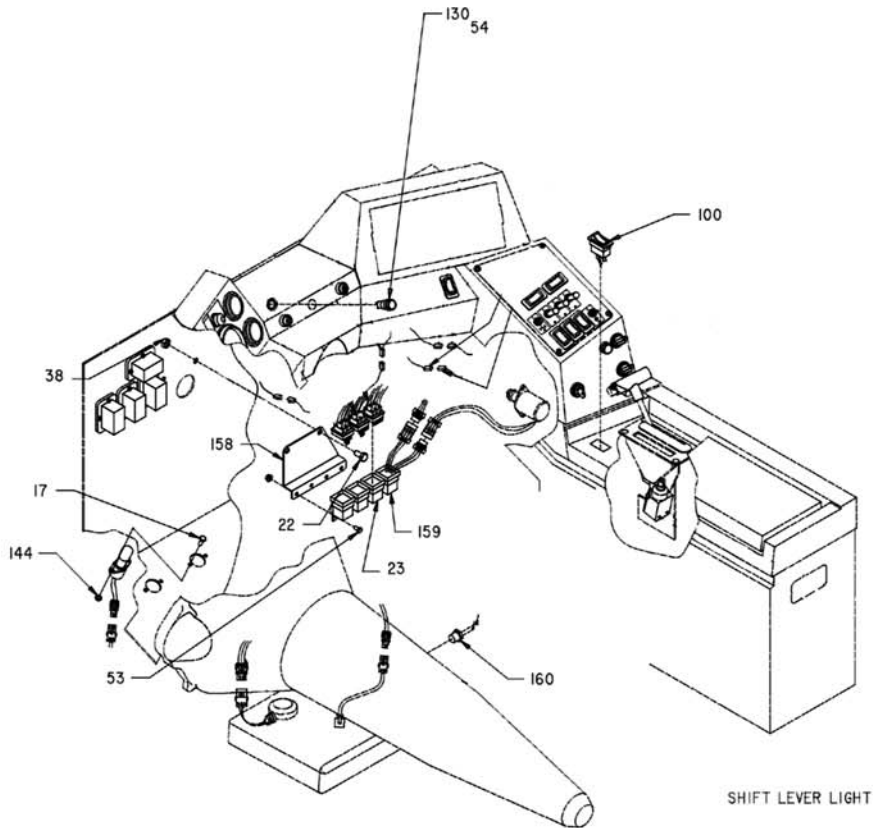


6802170 - ELECTRICAL GROUP-SC

ITEM	PART #	QTY	DESCRIPTION	COMMENTS
123	WR55283	8	SCREW-MACH FLAT SLT HD,	
124	6630140	16	NUT-JACK	
125	6803133	1	HARNESS-FLASHER	
126	6664368	1	LIGHT ASSY-DOME,W/SW	
127	WR55325	4	SCREW-TAP PAN,#8-18 X 3/4	
128	6661371	1	LAMP-COURTESY	
132	WR13354	1	SWITCH-PUSH BUTTON	
134	6659911	1	GAUGE-TEMPERATURE,WATER	
135	6662802	1	GAUGE-OIL PRESSURE	
136	WR25503	1	TACHOMETER W/HOUR METER	
138	6669380	1	CLUSTER-GAUGE	
142	WR55232	4	CLAMP-SUPPORT CUSHION,	
143	WR55250	2	NUT-LOCK,M10 X 1.5 G4D	
144	WR55351	2	NUT-TOPLOCK, 1/4-20UNC G8	
145	6661253	7	SWITCH-ROCKER	
145	WR520907	2	PLUG-HOLE,SWITCH,EATON	
146	6597933	1	DECAL-AXLE,RH (ENG)	
147	6597932	1	DECAL-AXLE,LH (ENG)	
148	6803495	1	PLATE-MOUNT,ALTERNATOR	
149	6803496	1	BRACKET-ALTERNATOR,ADJ	
153	6672267	1	SWITCH-TOGGLE	
155	WR523069	1	BOLT-M10-1.5X30,C8.8,ZN,FLG	
156	WR55301	1	NUT-FLANGE,M10 X 1.5,PREV	
157	6664438	1	KIT-WINDSHIELD WASHER	
158	6803641	1	BRACKET-RELAY	
159	6669415	1	TIMER-SOLENOID	
160	6672497	1	KIT-MOTOR,WIPER	SEE PAGE 7-2
161	6672498	1	ARM-DRIVE,WIPER	
162	6672499	1	SHAFT-WIPER PIVOT	
163	WR609614	1	PANTOGRAPH ARM ADAP KIT	
164	WR609615	1	18 IN PANTOGRAPHIC ARM(B) 518120	
165	6672502	1	BLADE	
167	6804874	1	HARNESS-BRAKE,4000	
168	6673315	2	SWITCH-BRAKE	
169	WR610409	1	TERM-RING,SAE B207 (503295)	

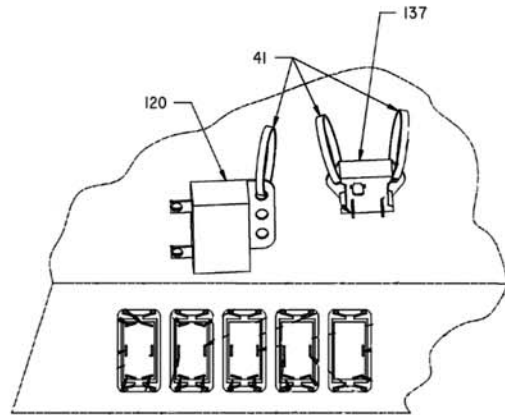


VIEW M

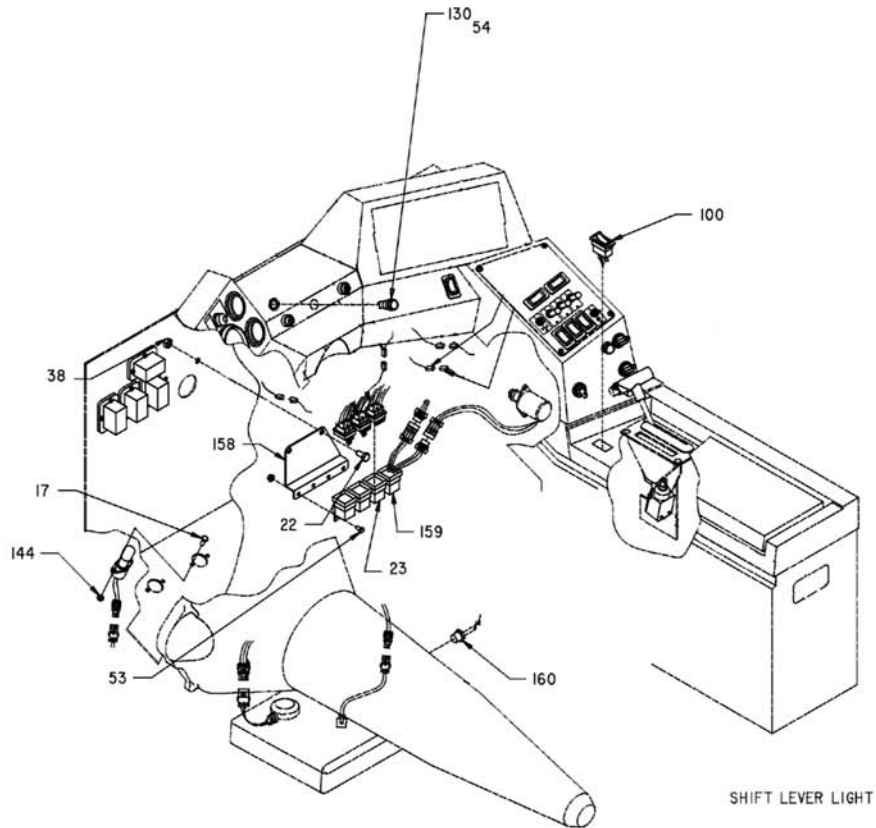


6802170 - ELECTRICAL GROUP-SC

ITEM	PART #	QTY	DESCRIPTION	COMMENTS
0	WR55564	2	HARNES-JUMPER	
0	WR55624	1	SWITCH-TEMPERATURE	
0	WR55648	1	HARNES ALT GRD	
0	WR55650	1	HARNES, GRD PUMP	
0	WR55653	1	HARNES GRD TEMP SWITCH	
0	WR55790	1	DECAL-ENGINE PREHEAT	
0	WR55813	1	HARNES-OIL COOLER	
0	WR55829	1	FAN ASSY-OIL COOLER,A/T	
0	WR55831	1	SWITCH TEMPERATURE	
0	WR515850	1	CONNECTOR ELEC SHROUD 2-CONT F	
0	WR55233	2	CLAMP-SUPPORT CUSHION,	
0	WR55247	3	CLAMP-SUPPORT CUSHION DBL	
0	6517924	1	BODY-CONNECTOR	
0	6597526	-	DIAGRAM-ELECTRICAL	
0	6597616	-	INSTL-ELECTRICAL	
0	6664224	2	CAP-END,ELECTRICAL	
0	6673122	1	REGULATOR-TIMER	
0	WR27196	1	GROMMET-RUBBER, .250 ID,	
0	WR51201	1	WASHER-LOCK,INT/EXT TOOTH	
0	WR55045	1	SCREW-CAP HEX M10 X 16	
0	WR550566	10	NUT 0.43-14NC HEX ZN REG	
0	WR550698	1	BOLT 0.25-20NCX 1.00 G5 ZN HHD	
0	WR551015	2	WASHER 0.31 FL ZN REG TYPE-B	
0	WR55104	8	WASHER-LOCK SPRING,6MM ID	
0	WR55271	3	NUT-LOCK,M6 X 1.0,PREV	
0	WR562793	8	NUT HEX M6 X 1.00	
0	WR25504	1	KIT-LIGHT,TACH/HOUR METER	
0	WR120645	2	CLAMP-.875 DIA COATED DOUBLE	
0	WR24913	1	GAUGE-FUEL,12V	
0	WR561617	6	WASHER 0.50 FL ZN SAE TYPE-A	
0	WR515765	2	SEAL CABLE GREY REEL 14 GA	
0	WR515762	2	TERM MA 16-14 GA W/PACK	
0	WR512273	-	FLEX GUARD .350LCP [BULK: 1 FT]	
1	6626433	1	CARRIER-HOSE	
2	6626432	1	CARRIER-WIRE HARNES	
3	6533975	1	GROMMET	
4	WR55281	10	NUT-FLANGE,M10 X 1.5	
5	6672044	2	LIGHT-HEAD	
6	6596494	2	MOUNT-HEAD LAMP	
7	WR515782	6	WASHER 0.43 FL ZN REG G8	
8	6667718	6	CLIP-RETAINER	
10	WR55202	8	SCREW-HEX FLG,M6X1X16 CL8.8	
11	6665558	1	ALARM-HORN	
12	WR55206	1	SCREW-HEX FLG,M8X1.25X20 CL8.8	
13	WR50830	1	CLAMP-SUPPORT,CUSHION,	
14	WR55410	1	NUT-FLANGE,M8 X 1.25 CL8,	
15	6664372	1	SWITCH-DIMMER	
16	WR550493	4	WASHER LK 0.25 ZN REG	
17	WR550485	8	BOLT.25-20NCX.75 G5 ZN HHD	
19	6618969	1	HARNES-HYD	
19	6803132	1	HARNES-LIGHTS	
20	6628372	1	HARNES-SPRAY	
21	6626479	1	COVER	
22	WR561683	4	BOLT M10-1.5 X 25MM G8.8 ZN HH	
23	6670312	7	SWITCH-MAGNETIC	
24	WR55300	4	NUT-FLANGE,M6 X 1.0,PREV	
26	WR55248	1	CLAMP-SUPPORT CUSHION DBL	
27	6618959	1	SHIELD-WIRE HARNES	
28	6664223	2	OUTLET-ELECTRICAL	
29	WR11514	5	NUT-FLANGE, 3/8	
32	WR25752	4	SCREW-CAP HEX M8 X 16,	
33	WR32254	4	NUT-TOPLOCK,M8-1.25	
34	6671624	2	LAMP-TAIL/LAMP	
35	WR55278	4	SCREW-MACH FLAT SLT HD,	
36	WR553182	4	WASHER #10 LK ZN REG	
37	WR550647	4	NUT 10-24NC HEX ZN REG	
38	WR55312	5	NUT-LOCK HEX,M10 X 1.5,	
39	WR55237	2	CLAMP-SUPPORT CUSHION,	
40	6617401	1	LIGHT ASSY	

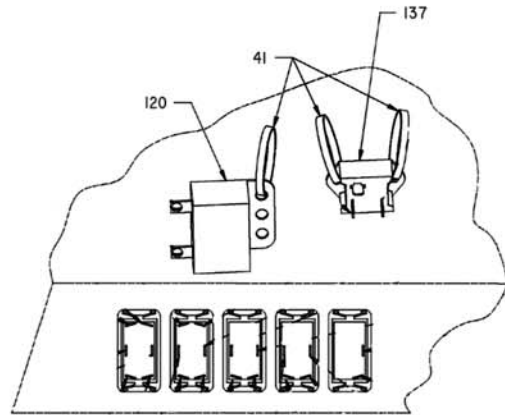


VIEW M

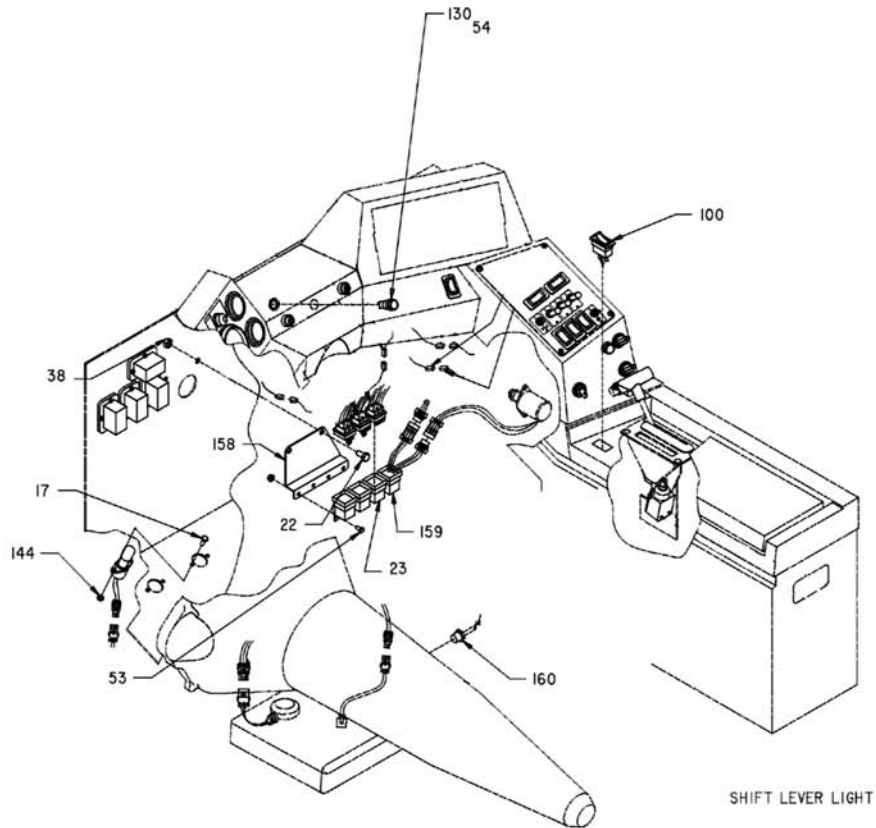


6802170 - ELECTRICAL GROUP-SC

ITEM	PART #	QTY	DESCRIPTION	COMMENTS
41	WR562496	19	TIE CABLE 15.0 .18-4.00 BLACK	
43	6800690	1	HARNESS-SWITCHES	
47	6632180	7	RELAY-40 AMP CONTINUOUS,DUTY	
48	WR55026	7	SCREW-CAP HEX M5 X 12	
49	WR55029	4	SCREW-CAP HEX M5 X 20	
50	WR55103	7	WASHER-LOCK SPRING,5MM ID	
51	WR55071	7	NUT-HEX,M5 X .8 CL10	
52	6804850	1	HARNESS-POWER/CONTROL	
53	WR562639	4	BOLT M6 1.00X12MM G8.8 ZN HHD	
54	6666677	2	LIGHT-INDICATOR	
55	WR11853	1	IGNITION SWITCH LOADER	
56	6597947	1	DECAL-SPRAY PUMP (ENG)	
57	6662055	1	SWITCH-TOGGLE	
58	6667705	1	SWITCH	
59	6597935	1	DECAL-TIP LIFT,RH	
60	6653332	4	EXTENSION-HANDLE	
62	6660204	1	SENSOR-PRESSURE	
63	6800407	1	CABLE-NEGATIVE	
65	6800408	1	CABLE ASSY-POSITIVE	
66	WR29201	1	TERMINAL-STUD, 3/8	
67	6628404	1	CABLE-POSITIVE	
68	6628425	1	CABLE-NEGATIVE	
69	6668692	1	HOUSING-BATTERY	
70	WR515478	1	BATTERY 12 VDC	
71	6801732	2	BOLT-CLAMP,BATTERY	
73	WR55352	2	NUT-TOPLOCK,5/16-18UNC G8	
74	6539697	1	ROD	
75	WR55128	1	WASHER-LOCK EXT TOOTH,	
76	WR50838	2	NUT-HEX,METRIC M10-1.5	
77	WR55106	3	WASHER-LOCK SPRING,10 MM	
80	6804864	1	HARNESS-ENGINE,COMP	
81	6800406	1	CABLE-NEGATIVE	
82	6800429	1	PLATE-CLAMP,BATTERY	
83	6597936	1	DECAL-TIP LIFT,LH (ENG)	
84	6597934	1	DECAL-BOOM LIFT (ENG)	
85	6597990	1	DECAL-AGITATOR (ENG)	
86	6647887	4	SWITCH-ELECTRIC	
90	6597939	1	DECAL-BOOM FOLD,RH (ENG)	
91	6597940	1	DECAL-BOOM FOLD,LH (ENG)	
92	6557904	1	FLASHER	
93	6661252	1	SWITCH-ROCKER	
94	6597941	1	DECAL-PRESSURE,ADJ	
95	6803485	1	TUBE	
96	6667933	1	SWITCH-ROCKER	
97	6597943	1	DECAL-WIPER/WASHER	
98	6661254	1	SWITCH-ROCKER	
99	6597944	1	DECAL-HEADLIGHTS	
100	6661250	2	SWITCH-ROCKER	
101	6597945	1	DECAL-WARNING,LT	
103	WR18171	1	SENDER-TEMP,-8MP	
104	6672015	1	ALTERNATOR-140 AMP	
105	6803487	1	TUBE	
106	6803488	1	TUBE	
107	WR55208	1	SCREW-HEX FLG,M8X1.25X30 CL8.8	
108	WR55169	1	ADAPTER-08MP/-02FP	
109	6579858	1	ALARM-BACKUP	
110	WR550671	2	WASHER-.25,FL,ZN,TYPE-A(N)	
111	WR562327	2	BOLT M6-1.00X20MM G8.8 ZN HHD	
113	6802445	1	HARNESS-HYD	
114	6803586	1	HARNESS-LIGHTS	
115	6804863	1	HARNESS-ENGINE	
116	6800691	1	HARNESS-SPRAY	
117	WR55091	16	SCREW-CAP HEX M4 X 16	
118	WR55102	16	WASHER-LOCK SPRING,4MM ID	
119	WR55249	16	NUT-LOCK,M4 G4D	
120	6644960	1	BUZZER	
121	6803795	1	MOUNT-W/A,ALT	
122	6658506	4	LAMP-FLASHER	



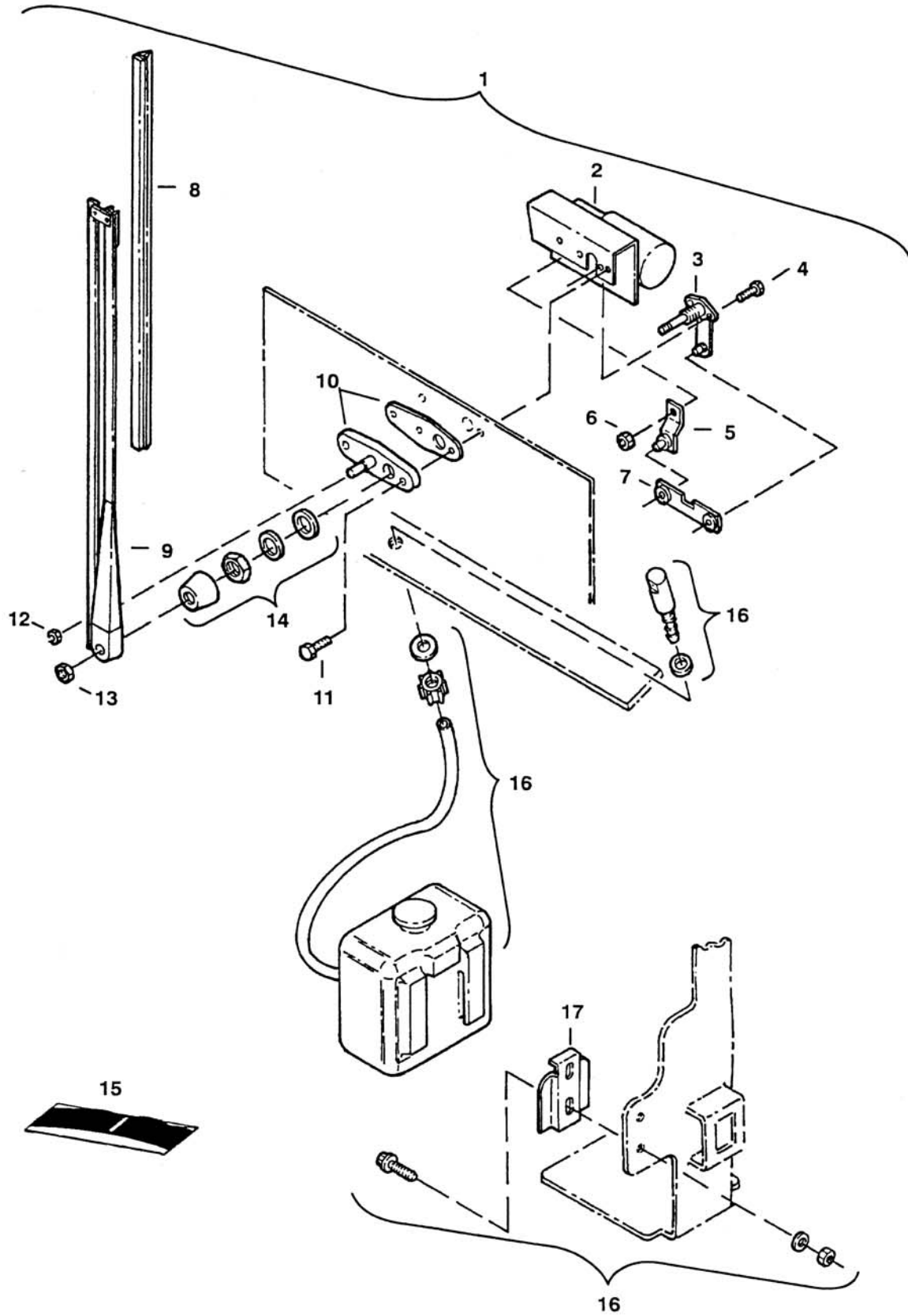
VIEW M



SHIFT LEVER LIGHT

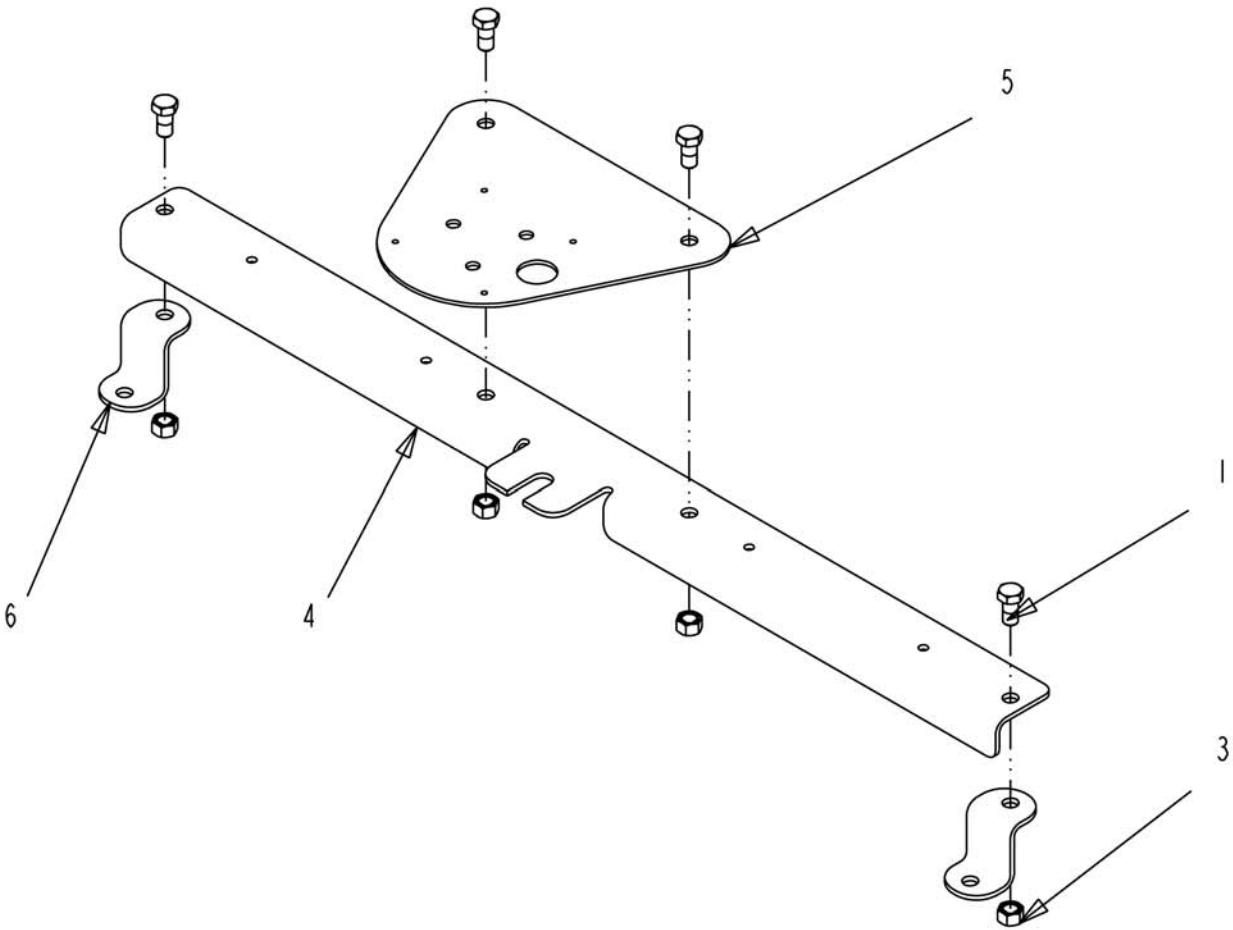
6802170 - ELECTRICAL GROUP-SC

ITEM	PART #	QTY	DESCRIPTION	COMMENTS
123	WR55283	8	SCREW-MACH FLAT SLT HD,	
124	6630140	16	NUT-JACK	
125	6803133	1	HARNESS-FLASHER	
126	6664368	1	LIGHT ASSY-DOME,W/SW	
127	WR55325	4	SCREW-TAP PAN,#8-18 X 3/4	
128	6661371	1	LAMP-COURTESY	
132	WR13354	1	SWITCH-PUSH BUTTON	
134	6659911	1	GAUGE-TEMPERATURE,WATER	
135	6662802	1	GAUGE-OIL PRESSURE	
136	WR25503	1	TACHOMETER W/HOUR METER	
138	6669380	1	CLUSTER-GAUGE	
142	WR55232	4	CLAMP-SUPPORT CUSHION,	
143	WR55250	2	NUT-LOCK,M10 X 1.5 G4D	
144	WR55351	2	NUT-TOPLOCK, 1/4-20UNC G8	
145	WR520907	2	PLUG-HOLE,SWITCH,EATON	
145	6661253	7	SWITCH-ROCKER	
146	6597933	1	DECAL-AXLE,RH (ENG)	
147	6597932	1	DECAL-AXLE,LH (ENG)	
148	6803495	1	PLATE-MOUNT,ALTERNATOR	
149	6803496	1	BRACKET-ALTERNATOR,ADJ	
153	6672267	1	SWITCH-TOGGLE	
155	WR523069	1	BOLT-M10-1.5X30,C8.8,ZN,FLG	
156	WR55301	1	NUT-FLANGE,M10 X 1.5,PREV	
157	6664438	1	KIT-WINDSHIELD WASHER	
158	6803641	1	BRACKET-RELAY	
159	6669415	1	TIMER-SOLENOID	
160	6672497	1	KIT-MOTOR,WIPER	SEE PAGE 7-2
161	6672498	1	ARM-DRIVE,WIPER	
162	6672499	1	SHAFT-WIPER PIVOT	
163	WR609614	1	PANTOGRAPH ARM ADAP KIT	
164	WR609615	1	18 IN PANTOGRAPHIC ARM(B) 518120	
165	6672502	1	BLADE	
167	6804874	1	HARNESS-BRAKE,4000	
168	6673315	2	SWITCH-BRAKE	
169	WR610409	1	TERM-RING,SAE B207 (503295)	



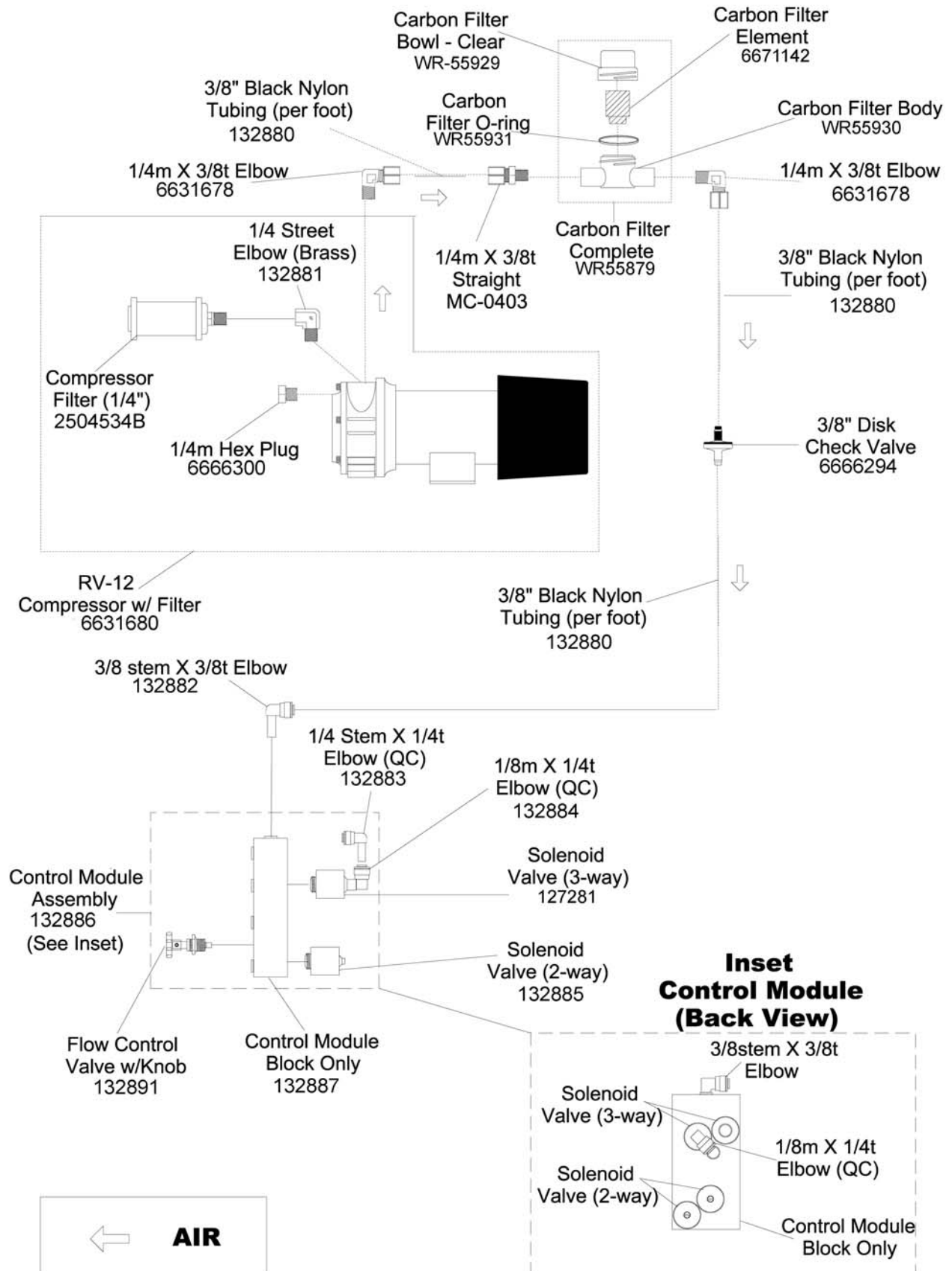
6672497 - KIT-MOTOR,WIPER

ITEM	PART #	QTY	DESCRIPTION	COMMENTS
2	6654163	1	WIPER	
3	6672499	1	SHAFT-WIPER PIVOT	
5	6654155	1	ARM-DRIVE	
8	6672502	1	BLADE	
9	WR609615	1	18 IN PANTOGRAPHIC ARM(B) 518120	
10	WR609614	1	PANTOGRAPH ARM ADAP KIT	
10	6654156	1	LINKAGE FOR .625 SHAFT	
11	6662267	2	SCREW	
15	6669058	1	.690 SHAFT	
16	6664556	1	HOSE	
16	6664438	1	KIT-WINDSHIELD WASHER	
16	6664555	1	NOZZLE	
16	6664554	1	PUMP	
17	6664557	1	BRACKET	
				ITEMS 4,6 &7 CANNOT BE PURCHASED INDIVIDUALLY BUT IS INCLUDED IN THE WIPER MOTOR.
				ITEM 4: SCREW
				ITEM 6: NUT
				ITEM 7: BRACKET
				ITEM 12 CANNOT BE PURCHASED INDIVIDUALLY BUT IS INCLUDED IN THE LINKAGE.
				ITEM 12: NUT
				ITEMS 13 & 14 CANNOT BE PURCHASED INDIVIDUALLY BUT IS INCLUDED IN THE SHAFT PIVOT ASSEMBLY.
				ITEM 13: NUT
				ITEM: 14 SPACER,NUT,WASHER ASSEMBLY



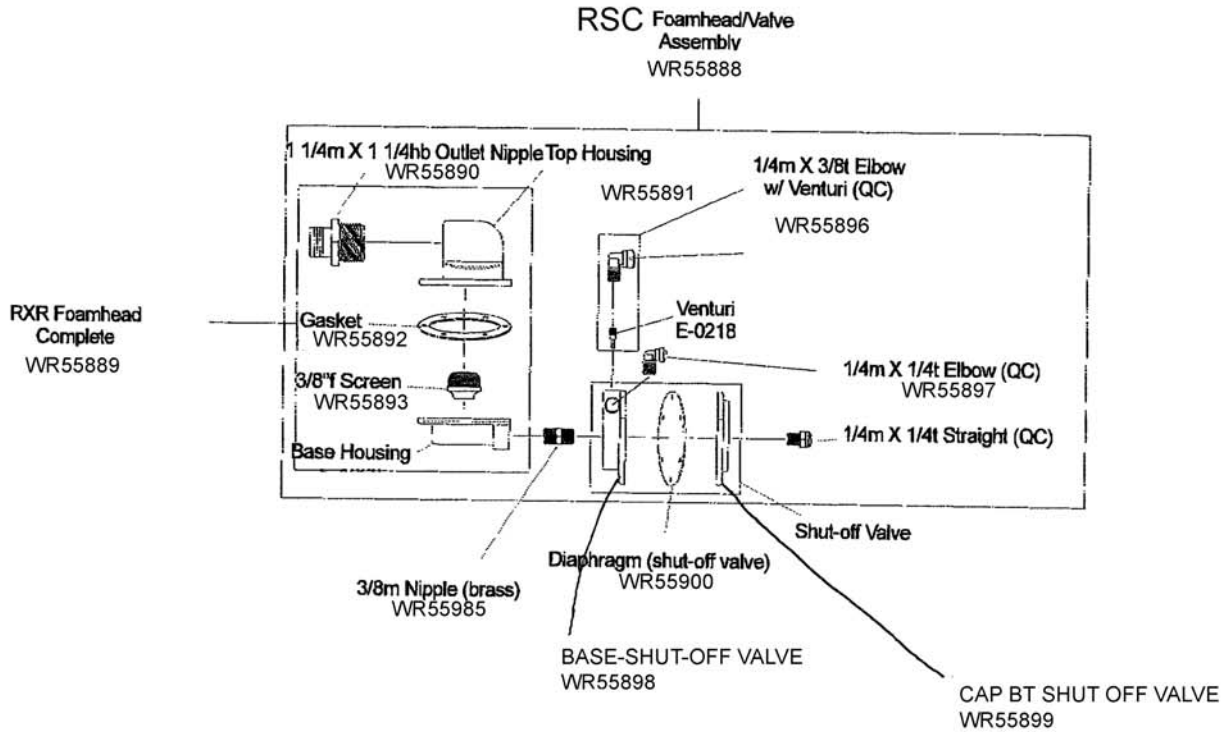
WR38799 - KIT-GPS ANTENNA MOUNT,SC

ITEM	PART #	QTY	DESCRIPTION	COMMENTS
1	WR551503	4	BOLT 0.37-16NCX 0.75 G5 ZN HHD	
2	WR553557	3	TIE CABLE 7.37 .06-1.37 BLACK	
3	WR601411	4	NUT 0.37-16NC HEX ZN REG LK NY	
4	6803920	1	BAR-REAR	
5	WR37842	1	MOUNT-GPS ANTENNA	
6	WR37843	2	STANDOFF-ANTENNA MOUNT,	
7	WR38850	1	PICT-GPS ANTENNA MOUNTING	



WR55875 - F/A-MARKER,RSC 2130

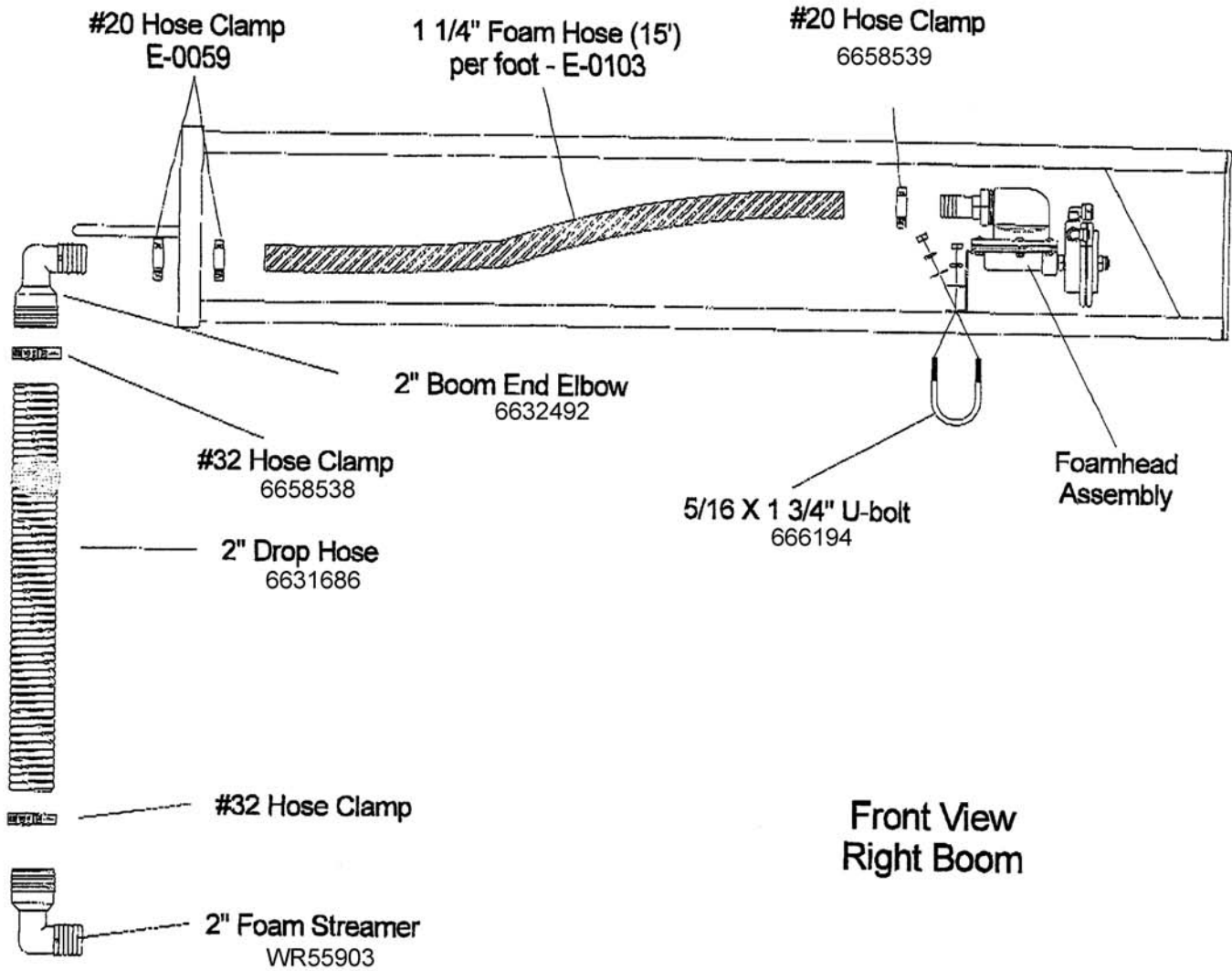
ITEM	PART #	QTY	DESCRIPTION	COMMENTS
0	WR38864	1	PLATFORM WLDMT-FOAM MARKER	
0	WR38865	4	RECT-1.00X1.00X.375,W/A HOL	
0	WR38878	1	BRACE-FOAM MARKER,RH	
0	WR38879	1	BRACE-FOAM MARKER,LH	
0	WR55879	1	FILTER ASSY-CARBON	SEE PAGE 8-3
0	WR55880	2	CROSS-06 TUBE	
0	WR55882	1	COVER-POWER UNIT	
0	WR55883	1	POWER UNIT,BOX ONLY-RSC	
0	WR55884	1	CABLE POWER,W/FEMALE PLUG	
0	WR55885	1	CABLE-2 WIRE,BATTERY	
0	WR55888	2	RSC FOAMHEAD/VALVE ASSY	SEE PAGE 8-4
0	WR55902	20	FOAM HOSE- 1 1/4	
0	WR55903	2	STEAMER-FOAM, 2 IN	
0	WR55904	2	DEFLECTOR-COLLECTOR, 2 IN	SEE PAGE 8-5
0	WR55908	1	TANK ASSY,13 GAL RSC2130	SEE PAGE 8-6
0	WR55910	1	CAP-ASSY, 2 1/4 IN	SEE PAGE 8-7
0	WR55916	1	PACKAGE-MOUNTING	SEE PAGE 8-8
0	WR55917	1	PACKAGE-MOUNTING,	SEE PAGE 8-9
0	WR55918	1	PACKAGE-MOUNTING,	SEE PAGE 8-10
0	WR55919	5	UNION-BULKHEAD,-04 TUBE	
0	WR55920	2	VALVE-CHECK, 1/4 DISK	
0	WR10854	6	CLAMP-HOSE,1 1/4 SST,	
0	WR10856	4	CLAMP-HOSE,2 SST, "ADAMS"	
0	WR127281	2	VALVE-SOLENOID, SIDE SWITCH	
0	WR29567	-	TUBE-AIR 1/4 OD, R/B 511021 [BULK: 106.5 FT]	
0	WR33395	1	TEE-04TUBE,ACETAL	
0	WR51241	2	TEE-04MP/-04 TUBE,PLASTIC	
0	WR514288	-	TUBING 0.37 OD NYLON(015669) [BULK: 202 FT]	
0	WR516481	1	CONNECTOR M 0.38X0.25NPT AUTLK	
0	WR55372	4	NUT-LOCK FLANGE, 1/2-13NC	
0	6620133	2	U-BOLT SQUARE,1/2 NC	
0	6631677	3	FITTING-BULKHEAD,-06 TUBE	
0	6631678	2	ELBOW,W/NUT	
0	6631680	1	COMPRESSOR-FOAM MARKER	SEE PAGE 8-11
0	6632492	2	ELBOW-2 IN ,BOOM END	
0	6660378	1	VALVE-FLOW CONTROL,BRASS	
0	6660391	1	FILTER ASSY, INCLINE	SEE PAGE 8-12
0	6660393	1	ADAPTER-08MP/-12MP PP	
0	6660394	1	ELBOW-90,-08FP/-08FP PP	
0	6660398	2	ADAPTER-04MP/-04 TUBE	
0	6660403	7	ELBOW-90,-02MP/-04 TUBE	
0	6660486	2	VALVE-ANTI SYPHON,HI-LOW	
0	6666294	1	VALVE-CHECK,3/8 DISK	



OTHERS: 10-24 S.S BOLT-WR55901
 10-24 LOCKNUT-18647
 #12X3/4 SCREW-55519
 FOAMHEAD BRACKET-WR55894

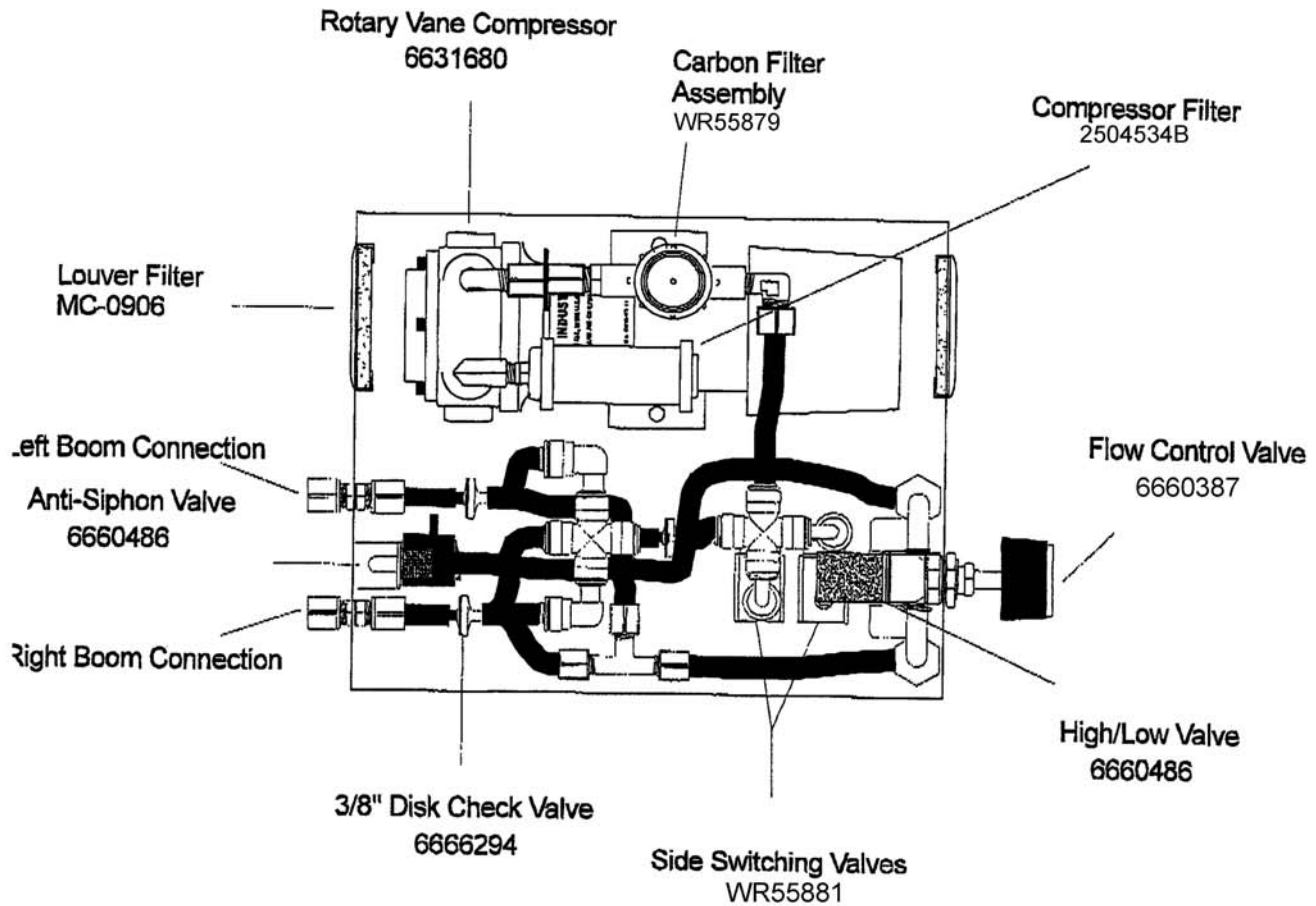
WR55875 - F/A-MARKER,RSC 2130

ITEM	PART #	QTY	DESCRIPTION	COMMENTS
0	WR38864	1	PLATFORM WLDMT-FOAM MARKER	
0	WR38865	4	RECT-1.00X1.00X.375,W/A HOL	
0	WR38878	1	BRACE-FOAM MARKER,RH	
0	WR38879	1	BRACE-FOAM MARKER,LH	
0	WR55372	4	NUT-LOCK FLANGE, 1/2-13NC	
0	6620133	2	U-BOLT SQUARE,1/2 NC	
0	WR127281	2	VALVE-SOLENOID, SIDE SWITCH	
0	WR55879	1	FILTER ASSY-CARBON	SEE PAGE 8-3
0	WR55880	2	CROSS-06 TUBE	
0	WR55882	1	COVER-POWER UNIT	
0	WR55883	1	POWER UNIT,BOX ONLY-RSC	
0	WR55884	1	CABLE POWER,W/FEMALE PLUG	
0	WR55885	1	CABLE-2 WIRE,BATTERY	
0	WR55888	2	RSC FOAMHEAD/VALVE ASSY	SEE PAGE 8-4
0	WR55902	20	FOAM HOSE- 1 1/4	
0	WR55903	2	STEAMER-FOAM, 2 IN	
0	WR55904	2	DEFLECTOR-COLLECTOR, 2 IN	SEE PAGE 8-5
0	WR55908	1	TANK ASSY,13 GAL RSC2130	SEE PAGE 8-6
0	WR55910	1	CAP-ASSY, 2 1/4 IN	SEE PAGE 8-7
0	WR55916	1	PACKAGE-MOUNTING	SEE PAGE 8-8
0	WR55917	1	PACKAGE-MOUNTING,	SEE PAGE 8-9
0	WR55918	1	PACKAGE-MOUNTING,	SEE PAGE 8-10
0	WR55919	5	UNION-BULKHEAD,-04 TUBE	
0	WR55920	2	VALVE-CHECK, 1/4 DISK	
0	WR10854	6	CLAMP-HOSE,1 1/4 SST,	
0	WR10856	4	CLAMP-HOSE,2 SST, "ADAMS"	
0	WR29567	-	TUBE-AIR 1/4 OD, R/B 511021 [BULK: 106.5 FT]	
0	WR33395	1	TEE-04TUBE,ACETAL	
0	WR51241	2	TEE-04MP/-04 TUBE,PLASTIC	
0	WR514288	-	TUBING 0.37 OD NYLON(015669) [BULK: 202 FT]	
0	WR516481	1	CONNECTOR M 0.38X0.25NPT AUTLK	
0	6631677	3	FITTING-BULKHEAD,-06 TUBE	
0	6631678	2	ELBOW,W/NUT	
0	6631680	1	COMPRESSOR-FOAM MARKER	SEE PAGE 8-11
0	6632492	2	ELBOW-2 IN ,BOOM END	
0	6660378	1	VALVE-FLOW CONTROL,BRASS	
0	6660391	1	FILTER ASSY, INCLINE	SEE PAGE 8-12
0	6660393	1	ADAPTER-08MP/-12MP PP	
0	6660394	1	ELBOW-90,-08FP/-08FP PP	
0	6660398	2	ADAPTER-04MP/-04 TUBE	
0	6660403	7	ELBOW-90,-02MP/-04 TUBE	
0	6660486	2	VALVE-ANTI SYPHON,HI-LOW	
0	6666294	1	VALVE-CHECK,3/8 DISK	



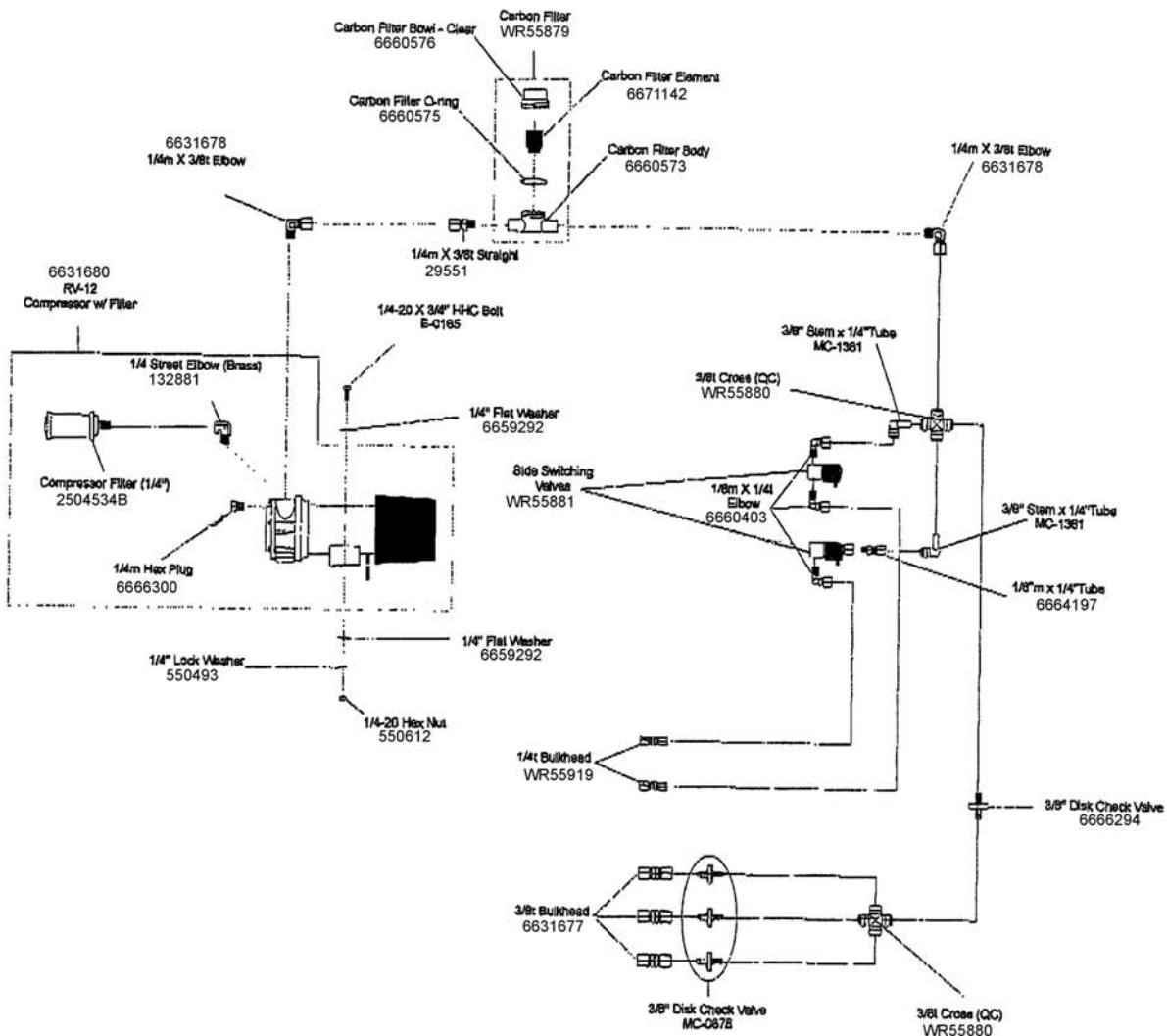
WR55875 - F/A-MARKER,RSC 2130

ITEM	PART #	QTY	DESCRIPTION	COMMENTS
0	WR38864	1	PLATFORM WLDMT-FOAM MARKER	
0	WR38865	4	RECT-1.00X1.00X.375,W/A HOL	
0	WR38878	1	BRACE-FOAM MARKER,RH	
0	WR38879	1	BRACE-FOAM MARKER,LH	
0	WR55879	1	FILTER ASSY-CARBON	SEE PAGE 8-3
0	WR55880	2	CROSS-06 TUBE	
0	WR55882	1	COVER-POWER UNIT	
0	WR55883	1	POWER UNIT,BOX ONLY-RSC	
0	WR55884	1	CABLE POWER,W/FEMALE PLUG	
0	WR55885	1	CABLE-2 WIRE,BATTERY	
0	WR55888	2	RSC FOAMHEAD/VALVE ASSY	SEE PAGE 8-4
0	WR55902	20	FOAM HOSE- 1 1/4	
0	WR55903	2	STEAMER-FOAM, 2 IN	
0	WR55904	2	DEFLECTOR-COLLECTOR, 2 IN	SEE PAGE 8-5
0	WR55908	1	TANK ASSY,13 GAL RSC2130	SEE PAGE 8-6
0	WR55910	1	CAP-ASSY, 2 1/4 IN	SEE PAGE 8-7
0	WR55916	1	PACKAGE-MOUNTING	SEE PAGE 8-8
0	WR55917	1	PACKAGE-MOUNTING,	SEE PAGE 8-9
0	WR55918	1	PACKAGE-MOUNTING,	SEE PAGE 8-10
0	WR55919	5	UNION-BULKHEAD,-04 TUBE	
0	WR55920	2	VALVE-CHECK, 1/4 DISK	
0	WR10854	6	CLAMP-HOSE,1 1/4 SST,	
0	WR10856	4	CLAMP-HOSE,2 SST, "ADAMS"	
0	WR127281	2	VALVE-SOLENOID, SIDE SWITCH	
0	WR29567	-	TUBE-AIR 1/4 OD, R/B 511021 [BULK: 106.5 FT]	
0	WR33395	1	TEE-04TUBE,ACETAL	
0	WR51241	2	TEE-04MP/-04 TUBE,PLASTIC	
0	WR514288	-	TUBING 0.37 OD NYLON(015669) [BULK: 202 FT]	
0	WR516481	1	CONNECTOR M 0.38X0.25NPT AUTLK	
0	WR55372	4	NUT-LOCK FLANGE, 1/2-13NC	
0	6620133	2	U-BOLT SQUARE,1/2 NC	
0	6631677	3	FITTING-BULKHEAD,-06 TUBE	
0	6631678	2	ELBOW,W/NUT	
0	6631680	1	COMPRESSOR-FOAM MARKER	SEE PAGE 8-11
0	6632492	2	ELBOW-2 IN ,BOOM END	
0	6660378	1	VALVE-FLOW CONTROL,BRASS	
0	6660391	1	FILTER ASSY, INCLINE	SEE PAGE 8-12
0	6660393	1	ADAPTER-08MP/-12MP PP	
0	6660394	1	ELBOW-90,-08FP/-08FP PP	
0	6660398	2	ADAPTER-04MP/-04 TUBE	
0	6660403	7	ELBOW-90,-02MP/-04 TUBE	
0	6660486	2	VALVE-ANTI SYPHON,HI-LOW	
0	6666294	1	VALVE-CHECK,3/8 DISK	

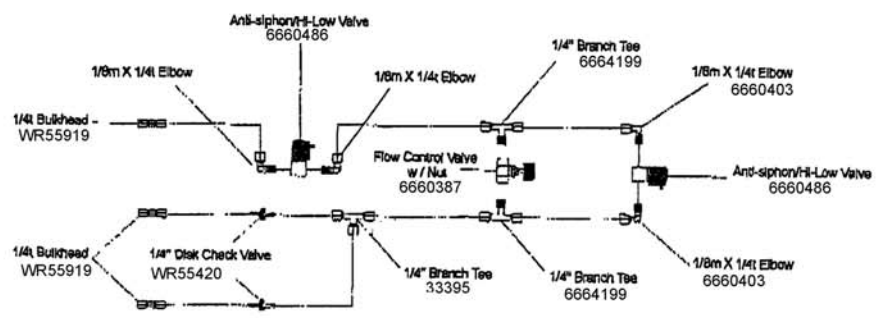


WR55875 - F/A-MARKER,RSC 2130

ITEM	PART #	QTY	DESCRIPTION	COMMENTS
0	WR38864	1	PLATFORM WLDMT-FOAM MARKER	
0	WR38865	4	RECT-1.00X1.00X.375,W/A HOL	
0	WR38878	1	BRACE-FOAM MARKER,RH	
0	WR38879	1	BRACE-FOAM MARKER,LH	
0	WR55372	4	NUT-LOCK FLANGE, 1/2-13NC	
0	6620133	2	U-BOLT SQUARE,1/2 NC	
0	WR127281	2	VALVE-SOLENOID, SIDE SWITCH	
0	WR55879	1	FILTER ASSY-CARBON	SEE PAGE 8-3
0	WR55880	2	CROSS-06 TUBE	
0	WR55882	1	COVER-POWER UNIT	
0	WR55883	1	POWER UNIT,BOX ONLY-RSC	
0	WR55884	1	CABLE POWER,W/FEMALE PLUG	
0	WR55885	1	CABLE-2 WIRE,BATTERY	
0	WR55888	2	RSC FOAMHEAD/VALVE ASSY	SEE PAGE 8-4
0	WR55902	20	FOAM HOSE- 1 1/4	
0	WR55903	2	STEAMER-FOAM, 2 IN	
0	WR55904	2	DEFLECTOR-COLLECTOR, 2 IN	SEE PAGE 8-5
0	WR55908	1	TANK ASSY,13 GAL RSC2130	SEE PAGE 8-6
0	WR55910	1	CAP-ASSY, 2 1/4 IN	SEE PAGE 8-7
0	WR55916	1	PACKAGE-MOUNTING	SEE PAGE 8-8
0	WR55917	1	PACKAGE-MOUNTING,	SEE PAGE 8-9
0	WR55918	1	PACKAGE-MOUNTING,	SEE PAGE 8-10
0	WR55919	5	UNION-BULKHEAD,-04 TUBE	
0	WR55920	2	VALVE-CHECK, 1/4 DISK	
0	WR10854	6	CLAMP-HOSE,1 1/4 SST,	
0	WR10856	4	CLAMP-HOSE,2 SST, "ADAMS"	
0	WR29567	-	TUBE-AIR 1/4 OD, R/B 511021 [BULK: 106.5 FT]	
0	WR33395	1	TEE-04TUBE,ACETAL	
0	WR51241	2	TEE-04MP/-04 TUBE,PLASTIC	
0	WR514288	-	TUBING 0.37 OD NYLON(015669) [BULK: 202 FT]	
0	WR516481	1	CONNECTOR M 0.38X0.25NPT AUTLK	
0	6631677	3	FITTING-BULKHEAD,-06 TUBE	
0	6631678	2	ELBOW,W/NUT	
0	6631680	1	COMPRESSOR-FOAM MARKER	SEE PAGE 8-11
0	6632492	2	ELBOW-2 IN ,BOOM END	
0	6660378	1	VALVE-FLOW CONTROL,BRASS	
0	6660391	1	FILTER ASSY, INCLINE	SEE PAGE 8-12
0	6660393	1	ADAPTER-08MP/-12MP PP	
0	6660394	1	ELBOW-90,-08FP/-08FP PP	
0	6660398	2	ADAPTER-04MP/-04 TUBE	
0	6660403	7	ELBOW-90,-02MP/-04 TUBE	
0	6660486	2	VALVE-ANTI SYPHON,HI-LOW	
0	6666294	1	VALVE-CHECK,3/8 DISK	

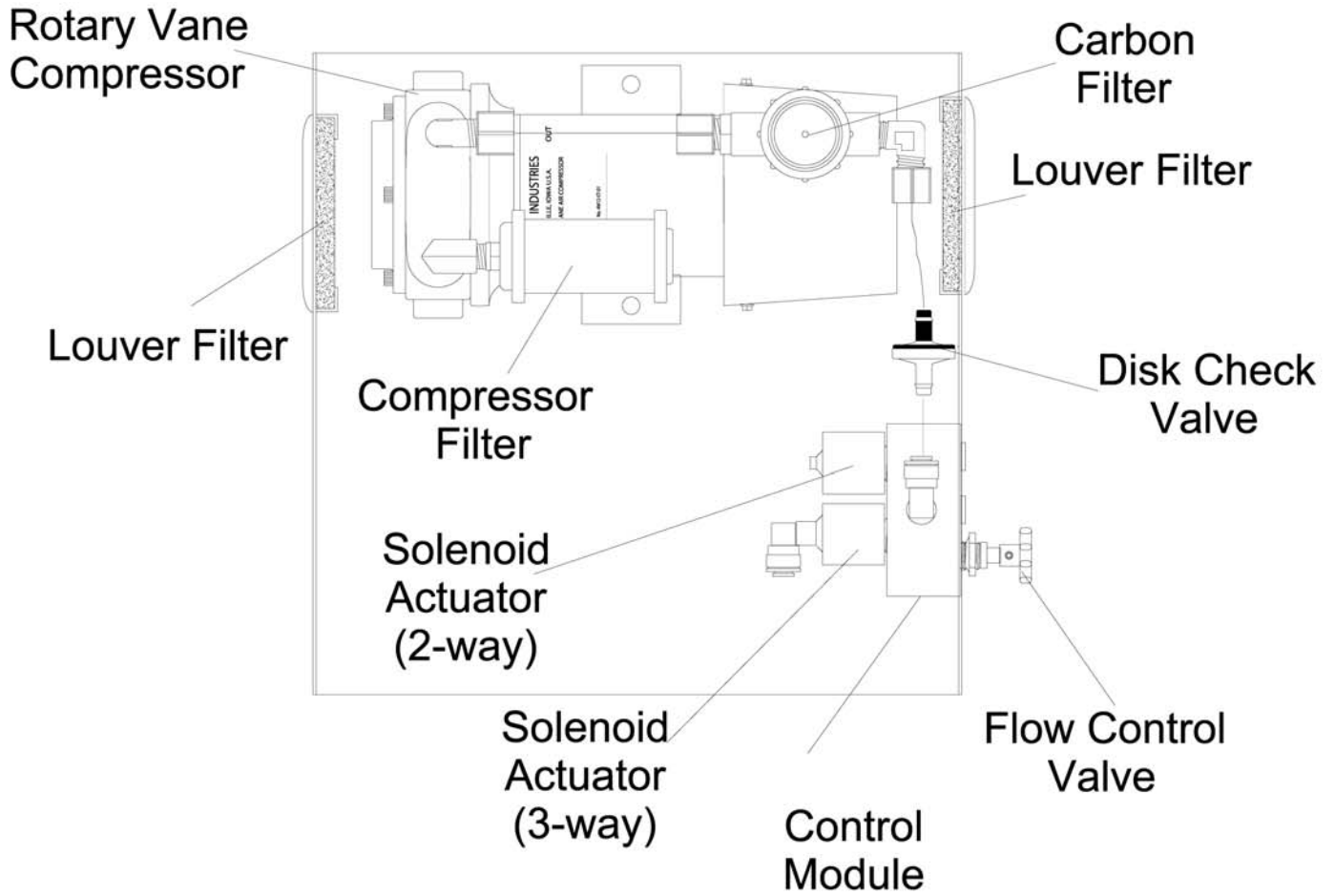


Air Circuit
Liquid Circuit



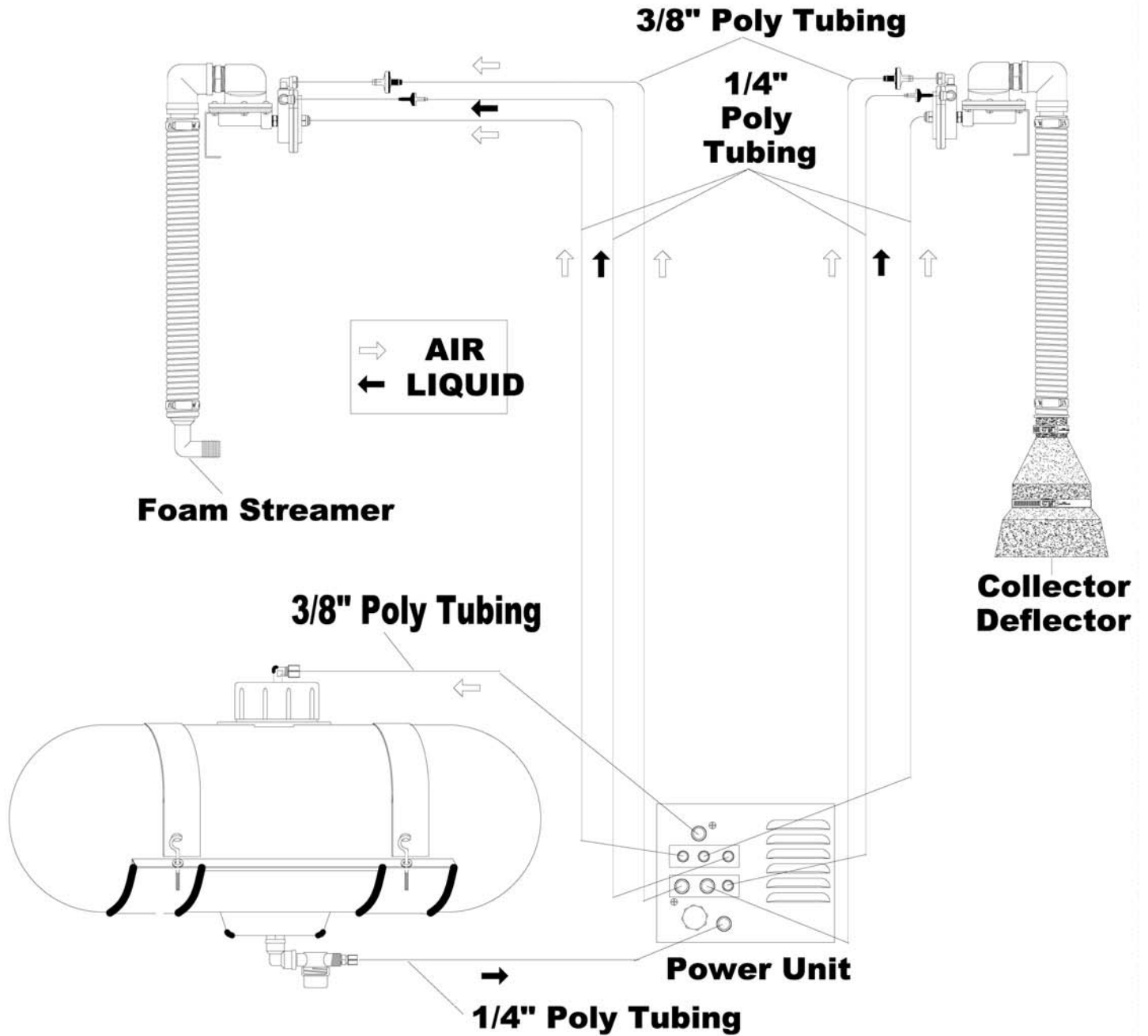
WR55875 - F/A-MARKER,RSC 2130

ITEM	PART #	QTY	DESCRIPTION	COMMENTS
0	WR38864	1	PLATFORM WLDMT-FOAM MARKER	
0	WR38865	4	RECT-1.00X1.00X.375,W/A HOL	
0	WR38878	1	BRACE-FOAM MARKER,RH	
0	WR38879	1	BRACE-FOAM MARKER,LH	
0	WR55879	1	FILTER ASSY-CARBON	SEE PAGE 8-3
0	WR55880	2	CROSS-06 TUBE	
0	WR55882	1	COVER-POWER UNIT	
0	WR55883	1	POWER UNIT,BOX ONLY-RSC	
0	WR55884	1	CABLE POWER,W/FEMALE PLUG	
0	WR55885	1	CABLE-2 WIRE,BATTERY	
0	WR55888	2	RSC FOAMHEAD/VALVE ASSY	SEE PAGE 8-4
0	WR55902	20	FOAM HOSE- 1 1/4	
0	WR55903	2	STEAMER-FOAM, 2 IN	
0	WR55904	2	DEFLECTOR-COLLECTOR, 2 IN	SEE PAGE 8-5
0	WR55908	1	TANK ASSY,13 GAL RSC2130	SEE PAGE 8-6
0	WR55910	1	CAP-ASSY, 2 1/4 IN	SEE PAGE 8-7
0	WR55916	1	PACKAGE-MOUNTING	SEE PAGE 8-8
0	WR55917	1	PACKAGE-MOUNTING,	SEE PAGE 8-9
0	WR55918	1	PACKAGE-MOUNTING,	SEE PAGE 8-10
0	WR55919	5	UNION-BULKHEAD,-04 TUBE	
0	WR55920	2	VALVE-CHECK, 1/4 DISK	
0	WR10854	6	CLAMP-HOSE,1 1/4 SST,	
0	WR10856	4	CLAMP-HOSE,2 SST, "ADAMS"	
0	WR127281	2	VALVE-SOLENOID, SIDE SWITCH	
0	WR29567	-	TUBE-AIR 1/4 OD, R/B 511021 [BULK: 106.5 FT]	
0	WR33395	1	TEE-04TUBE,ACETAL	
0	WR51241	2	TEE-04MP/-04 TUBE,PLASTIC	
0	WR514288	-	TUBING 0.37 OD NYLON(015669) [BULK: 202 FT]	
0	WR516481	1	CONNECTOR M 0.38X0.25NPT AUTLK	
0	WR55372	4	NUT-LOCK FLANGE, 1/2-13NC	
0	6620133	2	U-BOLT SQUARE,1/2 NC	
0	6631677	3	FITTING-BULKHEAD,-06 TUBE	
0	6631678	2	ELBOW,W/NUT	
0	6631680	1	COMPRESSOR-FOAM MARKER	SEE PAGE 8-11
0	6632492	2	ELBOW-2 IN ,BOOM END	
0	6660378	1	VALVE-FLOW CONTROL,BRASS	
0	6660391	1	FILTER ASSY, INCLINE	SEE PAGE 8-12
0	6660393	1	ADAPTER-08MP/-12MP PP	
0	6660394	1	ELBOW-90,-08FP/-08FP PP	
0	6660398	2	ADAPTER-04MP/-04 TUBE	
0	6660403	7	ELBOW-90,-02MP/-04 TUBE	
0	6660486	2	VALVE-ANTI SYPHON,HI-LOW	
0	6666294	1	VALVE-CHECK,3/8 DISK	



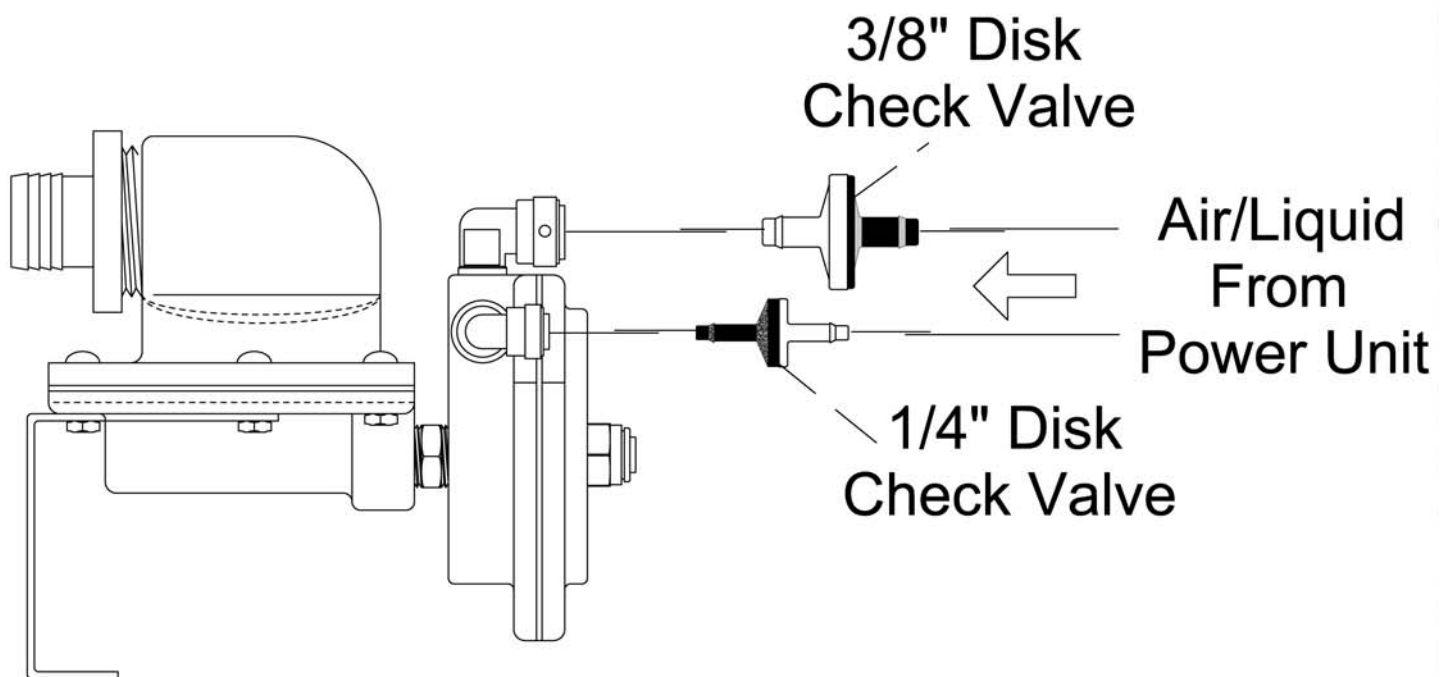
WR55875 - F/A-MARKER,RSC 2130

ITEM	PART #	QTY	DESCRIPTION	COMMENTS
0	WR38864	1	PLATFORM WLDMT-FOAM MARKER	
0	WR38865	4	RECT-1.00X1.00X.375,W/A HOL	
0	WR38878	1	BRACE-FOAM MARKER,RH	
0	WR38879	1	BRACE-FOAM MARKER,LH	
0	WR55372	4	NUT-LOCK FLANGE, 1/2-13NC	
0	6620133	2	U-BOLT SQUARE,1/2 NC	
0	WR127281	2	VALVE-SOLENOID, SIDE SWITCH	
0	WR55879	1	FILTER ASSY-CARBON	SEE PAGE 8-3
0	WR55880	2	CROSS-06 TUBE	
0	WR55882	1	COVER-POWER UNIT	
0	WR55883	1	POWER UNIT,BOX ONLY-RSC	
0	WR55884	1	CABLE POWER,W/FEMALE PLUG	
0	WR55885	1	CABLE-2 WIRE,BATTERY	
0	WR55888	2	RSC FOAMHEAD/VALVE ASSY	SEE PAGE 8-4
0	WR55902	20	FOAM HOSE- 1 1/4	
0	WR55903	2	STEAMER-FOAM, 2 IN	
0	WR55904	2	DEFLECTOR-COLLECTOR, 2 IN	SEE PAGE 8-5
0	WR55908	1	TANK ASSY,13 GAL RSC2130	SEE PAGE 8-6
0	WR55910	1	CAP-ASSY, 2 1/4 IN	SEE PAGE 8-7
0	WR55916	1	PACKAGE-MOUNTING	SEE PAGE 8-8
0	WR55917	1	PACKAGE-MOUNTING,	SEE PAGE 8-9
0	WR55918	1	PACKAGE-MOUNTING,	SEE PAGE 8-10
0	WR55919	5	UNION-BULKHEAD,-04 TUBE	
0	WR55920	2	VALVE-CHECK, 1/4 DISK	
0	WR10854	6	CLAMP-HOSE,1 1/4 SST,	
0	WR10856	4	CLAMP-HOSE,2 SST, "ADAMS"	
0	WR29567	-	TUBE-AIR 1/4 OD, R/B 511021 [BULK: 106.5 FT]	
0	WR33395	1	TEE-04TUBE,ACETAL	
0	WR51241	2	TEE-04MP/-04 TUBE,PLASTIC	
0	WR514288	-	TUBING 0.37 OD NYLON(015669) [BULK: 202 FT]	
0	WR516481	1	CONNECTOR M 0.38X0.25NPT AUTLK	
0	6631677	3	FITTING-BULKHEAD,-06 TUBE	
0	6631678	2	ELBOW,W/NUT	
0	6631680	1	COMPRESSOR-FOAM MARKER	SEE PAGE 8-11
0	6632492	2	ELBOW-2 IN ,BOOM END	
0	6660378	1	VALVE-FLOW CONTROL,BRASS	
0	6660391	1	FILTER ASSY, INCLINE	SEE PAGE 8-12
0	6660393	1	ADAPTER-08MP/-12MP PP	
0	6660394	1	ELBOW-90,-08FP/-08FP PP	
0	6660398	2	ADAPTER-04MP/-04 TUBE	
0	6660403	7	ELBOW-90,-02MP/-04 TUBE	
0	6660486	2	VALVE-ANTI SYPHON,HI-LOW	
0	6666294	1	VALVE-CHECK,3/8 DISK	



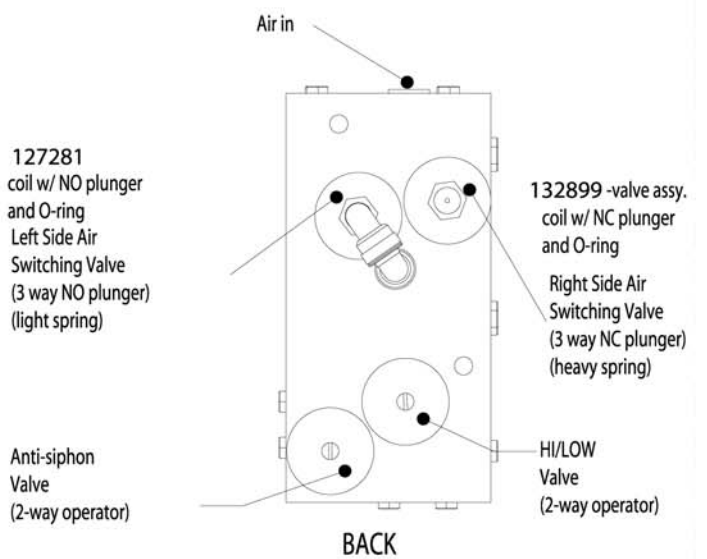
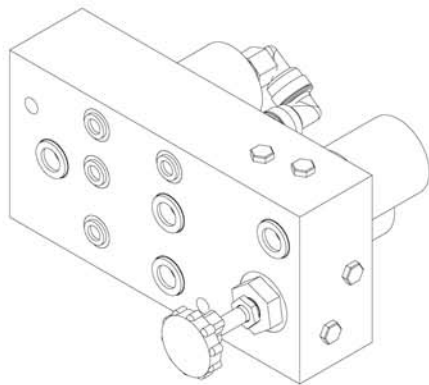
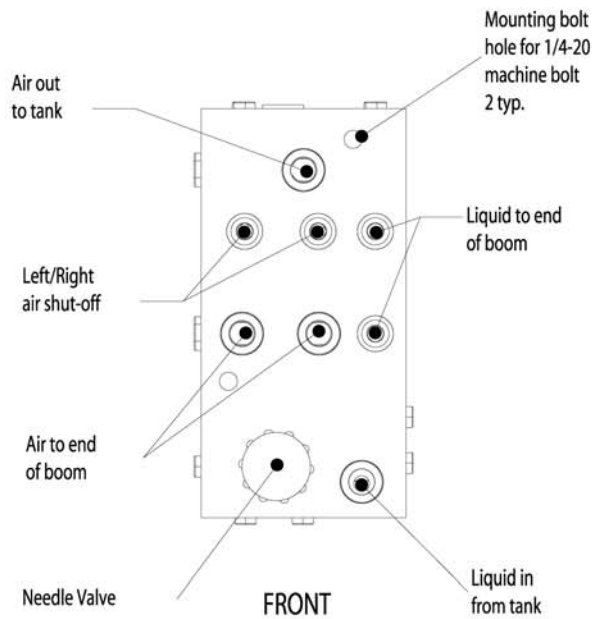
WR55875 - F/A-MARKER,RSC 2130

ITEM	PART #	QTY	DESCRIPTION	COMMENTS
0	WR38864	1	PLATFORM WLDMT-FOAM MARKER	
0	WR38865	4	RECT-1.00X1.00X.375,W/A HOL	
0	WR38878	1	BRACE-FOAM MARKER,RH	
0	WR38879	1	BRACE-FOAM MARKER,LH	
0	WR55879	1	FILTER ASSY-CARBON	SEE PAGE 8-3
0	WR55880	2	CROSS-06 TUBE	
0	WR55882	1	COVER-POWER UNIT	
0	WR55883	1	POWER UNIT,BOX ONLY-RSC	
0	WR55884	1	CABLE POWER,W/FEMALE PLUG	
0	WR55885	1	CABLE-2 WIRE,BATTERY	
0	WR55888	2	RSC FOAMHEAD/VALVE ASSY	SEE PAGE 8-4
0	WR55902	20	FOAM HOSE- 1 1/4	
0	WR55903	2	STEAMER-FOAM, 2 IN	
0	WR55904	2	DEFLECTOR-COLLECTOR, 2 IN	SEE PAGE 8-5
0	WR55908	1	TANK ASSY,13 GAL RSC2130	SEE PAGE 8-6
0	WR55910	1	CAP-ASSY, 2 1/4 IN	SEE PAGE 8-7
0	WR55916	1	PACKAGE-MOUNTING	SEE PAGE 8-8
0	WR55917	1	PACKAGE-MOUNTING,	SEE PAGE 8-9
0	WR55918	1	PACKAGE-MOUNTING,	SEE PAGE 8-10
0	WR55919	5	UNION-BULKHEAD,-04 TUBE	
0	WR55920	2	VALVE-CHECK, 1/4 DISK	
0	WR10854	6	CLAMP-HOSE,1 1/4 SST,	
0	WR10856	4	CLAMP-HOSE,2 SST, "ADAMS"	
0	WR127281	2	VALVE-SOLENOID, SIDE SWITCH	
0	WR29567	-	TUBE-AIR 1/4 OD, R/B 511021 [BULK: 106.5 FT]	
0	WR33395	1	TEE-04TUBE,ACETAL	
0	WR51241	2	TEE-04MP/-04 TUBE,PLASTIC	
0	WR514288	-	TUBING 0.37 OD NYLON(015669) [BULK: 202 FT]	
0	WR516481	1	CONNECTOR M 0.38X0.25NPT AUTLK	
0	WR55372	4	NUT-LOCK FLANGE, 1/2-13NC	
0	6620133	2	U-BOLT SQUARE,1/2 NC	
0	6631677	3	FITTING-BULKHEAD,-06 TUBE	
0	6631678	2	ELBOW,W/NUT	
0	6631680	1	COMPRESSOR-FOAM MARKER	SEE PAGE 8-11
0	6632492	2	ELBOW-2 IN ,BOOM END	
0	6660378	1	VALVE-FLOW CONTROL,BRASS	
0	6660391	1	FILTER ASSY, INCLINE	SEE PAGE 8-12
0	6660393	1	ADAPTER-08MP/-12MP PP	
0	6660394	1	ELBOW-90,-08FP/-08FP PP	
0	6660398	2	ADAPTER-04MP/-04 TUBE	
0	6660403	7	ELBOW-90,-02MP/-04 TUBE	
0	6660486	2	VALVE-ANTI SYPHON,HI-LOW	
0	6666294	1	VALVE-CHECK,3/8 DISK	

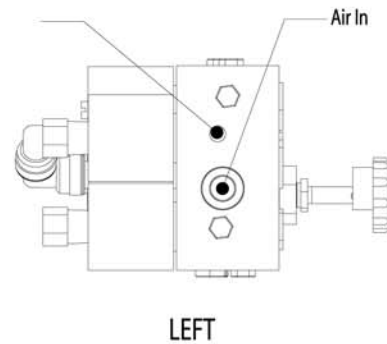


WR55875 - F/A-MARKER,RSC 2130

ITEM	PART #	QTY	DESCRIPTION	COMMENTS
0	WR38864	1	PLATFORM WLDMT-FOAM MARKER	
0	WR38865	4	RECT-1.00X1.00X.375,W/A HOL	
0	WR38878	1	BRACE-FOAM MARKER,RH	
0	WR38879	1	BRACE-FOAM MARKER,LH	
0	WR55372	4	NUT-LOCK FLANGE, 1/2-13NC	
0	6620133	2	U-BOLT SQUARE,1/2 NC	
0	WR127281	2	VALVE-SOLENOID, SIDE SWITCH	
0	WR55879	1	FILTER ASSY-CARBON	SEE PAGE 8-3
0	WR55880	2	CROSS-06 TUBE	
0	WR55882	1	COVER-POWER UNIT	
0	WR55883	1	POWER UNIT,BOX ONLY-RSC	
0	WR55884	1	CABLE POWER,W/FEMALE PLUG	
0	WR55885	1	CABLE-2 WIRE,BATTERY	
0	WR55888	2	RSC FOAMHEAD/VALVE ASSY	SEE PAGE 8-4
0	WR55902	20	FOAM HOSE- 1 1/4	
0	WR55903	2	STEAMER-FOAM, 2 IN	
0	WR55904	2	DEFLECTOR-COLLECTOR, 2 IN	SEE PAGE 8-5
0	WR55908	1	TANK ASSY,13 GAL RSC2130	SEE PAGE 8-6
0	WR55910	1	CAP-ASSY, 2 1/4 IN	SEE PAGE 8-7
0	WR55916	1	PACKAGE-MOUNTING	SEE PAGE 8-8
0	WR55917	1	PACKAGE-MOUNTING,	SEE PAGE 8-9
0	WR55918	1	PACKAGE-MOUNTING,	SEE PAGE 8-10
0	WR55919	5	UNION-BULKHEAD,-04 TUBE	
0	WR55920	2	VALVE-CHECK, 1/4 DISK	
0	WR10854	6	CLAMP-HOSE,1 1/4 SST,	
0	WR10856	4	CLAMP-HOSE,2 SST, "ADAMS"	
0	WR29567	-	TUBE-AIR 1/4 OD, R/B 511021 [BULK: 106.5 FT]	
0	WR33395	1	TEE-04TUBE,ACETAL	
0	WR51241	2	TEE-04MP/-04 TUBE,PLASTIC	
0	WR514288	-	TUBING 0.37 OD NYLON(015669) [BULK: 202 FT]	
0	WR516481	1	CONNECTOR M 0.38X0.25NPT AUTLK	
0	6631677	3	FITTING-BULKHEAD,-06 TUBE	
0	6631678	2	ELBOW,W/NUT	
0	6631680	1	COMPRESSOR-FOAM MARKER	SEE PAGE 8-11
0	6632492	2	ELBOW-2 IN ,BOOM END	
0	6660378	1	VALVE-FLOW CONTROL,BRASS	
0	6660391	1	FILTER ASSY, INCLINE	SEE PAGE 8-12
0	6660393	1	ADAPTER-08MP/-12MP PP	
0	6660394	1	ELBOW-90,-08FP/-08FP PP	
0	6660398	2	ADAPTER-04MP/-04 TUBE	
0	6660403	7	ELBOW-90,-02MP/-04 TUBE	
0	6660486	2	VALVE-ANTI SYPHON,HI-LOW	
0	6666294	1	VALVE-CHECK,3/8 DISK	



No plug: Exhaust port

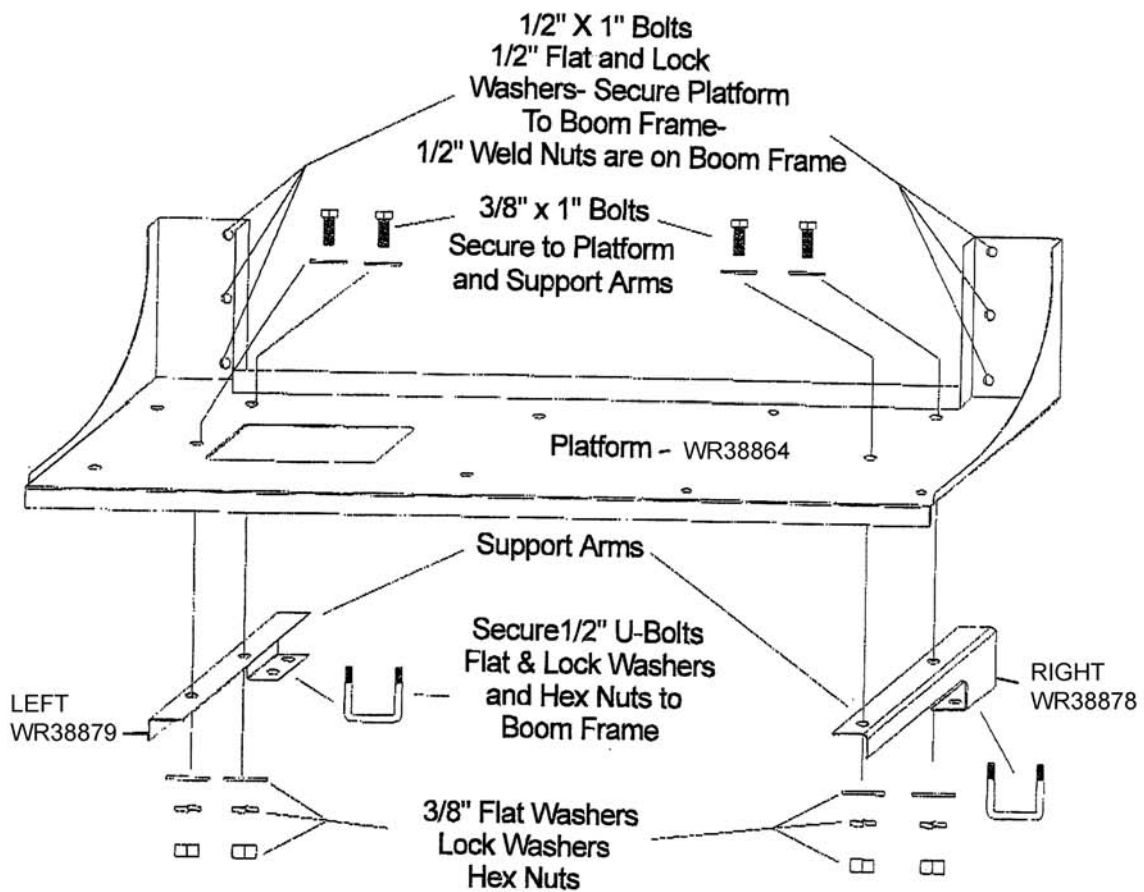


WR55875 - F/A-MARKER,RSC 2130

ITEM	PART #	QTY	DESCRIPTION	COMMENTS
0	WR38864	1	PLATFORM WLDMT-FOAM MARKER	
0	WR38865	4	RECT-1.00X1.00X.375,W/A HOL	
0	WR38878	1	BRACE-FOAM MARKER,RH	
0	WR38879	1	BRACE-FOAM MARKER,LH	
0	WR55879	1	FILTER ASSY-CARBON	SEE PAGE 8-3
0	WR55880	2	CROSS-06 TUBE	
0	WR55882	1	COVER-POWER UNIT	
0	WR55883	1	POWER UNIT,BOX ONLY-RSC	
0	WR55884	1	CABLE POWER,W/FEMALE PLUG	
0	WR55885	1	CABLE-2 WIRE,BATTERY	
0	WR55888	2	RSC FOAMHEAD/VALVE ASSY	SEE PAGE 8-4
0	WR55902	20	FOAM HOSE- 1 1/4	
0	WR55903	2	STEAMER-FOAM, 2 IN	
0	WR55904	2	DEFLECTOR-COLLECTOR, 2 IN	SEE PAGE 8-5
0	WR55908	1	TANK ASSY,13 GAL RSC2130	SEE PAGE 8-6
0	WR55910	1	CAP-ASSY, 2 1/4 IN	SEE PAGE 8-7
0	WR55916	1	PACKAGE-MOUNTING	SEE PAGE 8-8
0	WR55917	1	PACKAGE-MOUNTING,	SEE PAGE 8-9
0	WR55918	1	PACKAGE-MOUNTING,	SEE PAGE 8-10
0	WR55919	5	UNION-BULKHEAD,-04 TUBE	
0	WR55920	2	VALVE-CHECK, 1/4 DISK	
0	WR10854	6	CLAMP-HOSE,1 1/4 SST,	
0	WR10856	4	CLAMP-HOSE,2 SST, "ADAMS"	
0	WR127281	2	VALVE-SOLENOID, SIDE SWITCH	
0	WR29567	-	TUBE-AIR 1/4 OD, R/B 511021 [BULK: 106.5 FT]	
0	WR33395	1	TEE-04TUBE,ACETAL	
0	WR51241	2	TEE-04MP/-04 TUBE,PLASTIC	
0	WR514288	-	TUBING 0.37 OD NYLON(015669) [BULK: 202 FT]	
0	WR516481	1	CONNECTOR M 0.38X0.25NPT AUTLK	
0	WR55372	4	NUT-LOCK FLANGE, 1/2-13NC	
0	6620133	2	U-BOLT SQUARE,1/2 NC	
0	6631677	3	FITTING-BULKHEAD,-06 TUBE	
0	6631678	2	ELBOW,W/NUT	
0	6631680	1	COMPRESSOR-FOAM MARKER	SEE PAGE 8-11
0	6632492	2	ELBOW-2 IN ,BOOM END	
0	6660378	1	VALVE-FLOW CONTROL,BRASS	
0	6660391	1	FILTER ASSY, INCLINE	SEE PAGE 8-12
0	6660393	1	ADAPTER-08MP/-12MP PP	
0	6660394	1	ELBOW-90,-08FP/-08FP PP	
0	6660398	2	ADAPTER-04MP/-04 TUBE	
0	6660403	7	ELBOW-90,-02MP/-04 TUBE	
0	6660486	2	VALVE-ANTI SYPHON,HI-LOW	
0	6666294	1	VALVE-CHECK,3/8 DISK	

2130 foamer

Figure 1: Platform and Braces Mounting Diagram



NOT SHOWN:
SPACERS - WR38865
POWER UNIT BODY - WR55883
POWER UNIT LID - WR55882

WR55875 - F/A-MARKER,RSC 2130

ITEM	PART #	QTY	DESCRIPTION	COMMENTS
0	WR38864	1	PLATFORM WLDMT-FOAM MARKER	
0	WR38865	4	RECT-1.00X1.00X.375,W/A HOL	
0	WR38878	1	BRACE-FOAM MARKER,RH	
0	WR38879	1	BRACE-FOAM MARKER,LH	
0	WR55372	4	NUT-LOCK FLANGE, 1/2-13NC	
0	6620133	2	U-BOLT SQUARE,1/2 NC	
0	WR127281	2	VALVE-SOLENOID, SIDE SWITCH	
0	WR55879	1	FILTER ASSY-CARBON	SEE PAGE 8-3
0	WR55880	2	CROSS-06 TUBE	
0	WR55882	1	COVER-POWER UNIT	
0	WR55883	1	POWER UNIT,BOX ONLY-RSC	
0	WR55884	1	CABLE POWER,W/FEMALE PLUG	
0	WR55885	1	CABLE-2 WIRE,BATTERY	
0	WR55888	2	RSC FOAMHEAD/VALVE ASSY	SEE PAGE 8-4
0	WR55902	20	FOAM HOSE- 1 1/4	
0	WR55903	2	STEAMER-FOAM, 2 IN	
0	WR55904	2	DEFLECTOR-COLLECTOR, 2 IN	SEE PAGE 8-5
0	WR55908	1	TANK ASSY,13 GAL RSC2130	SEE PAGE 8-6
0	WR55910	1	CAP-ASSY, 2 1/4 IN	SEE PAGE 8-7
0	WR55916	1	PACKAGE-MOUNTING	SEE PAGE 8-8
0	WR55917	1	PACKAGE-MOUNTING,	SEE PAGE 8-9
0	WR55918	1	PACKAGE-MOUNTING,	SEE PAGE 8-10
0	WR55919	5	UNION-BULKHEAD,-04 TUBE	
0	WR55920	2	VALVE-CHECK, 1/4 DISK	
0	WR10854	6	CLAMP-HOSE,1 1/4 SST,	
0	WR10856	4	CLAMP-HOSE,2 SST, "ADAMS"	
0	WR29567	-	TUBE-AIR 1/4 OD, R/B 511021 [BULK: 106.5 FT]	
0	WR33395	1	TEE-04TUBE,ACETAL	
0	WR51241	2	TEE-04MP/-04 TUBE,PLASTIC	
0	WR514288	-	TUBING 0.37 OD NYLON(015669) [BULK: 202 FT]	
0	WR516481	1	CONNECTOR M 0.38X0.25NPT AUTLK	
0	6631677	3	FITTING-BULKHEAD,-06 TUBE	
0	6631678	2	ELBOW,W/NUT	
0	6631680	1	COMPRESSOR-FOAM MARKER	SEE PAGE 8-11
0	6632492	2	ELBOW-2 IN ,BOOM END	
0	6660378	1	VALVE-FLOW CONTROL,BRASS	
0	6660391	1	FILTER ASSY, INCLINE	SEE PAGE 8-12
0	6660393	1	ADAPTER-08MP/-12MP PP	
0	6660394	1	ELBOW-90,-08FP/-08FP PP	
0	6660398	2	ADAPTER-04MP/-04 TUBE	
0	6660403	7	ELBOW-90,-02MP/-04 TUBE	
0	6660486	2	VALVE-ANTI SYPHON,HI-LOW	
0	6666294	1	VALVE-CHECK,3/8 DISK	

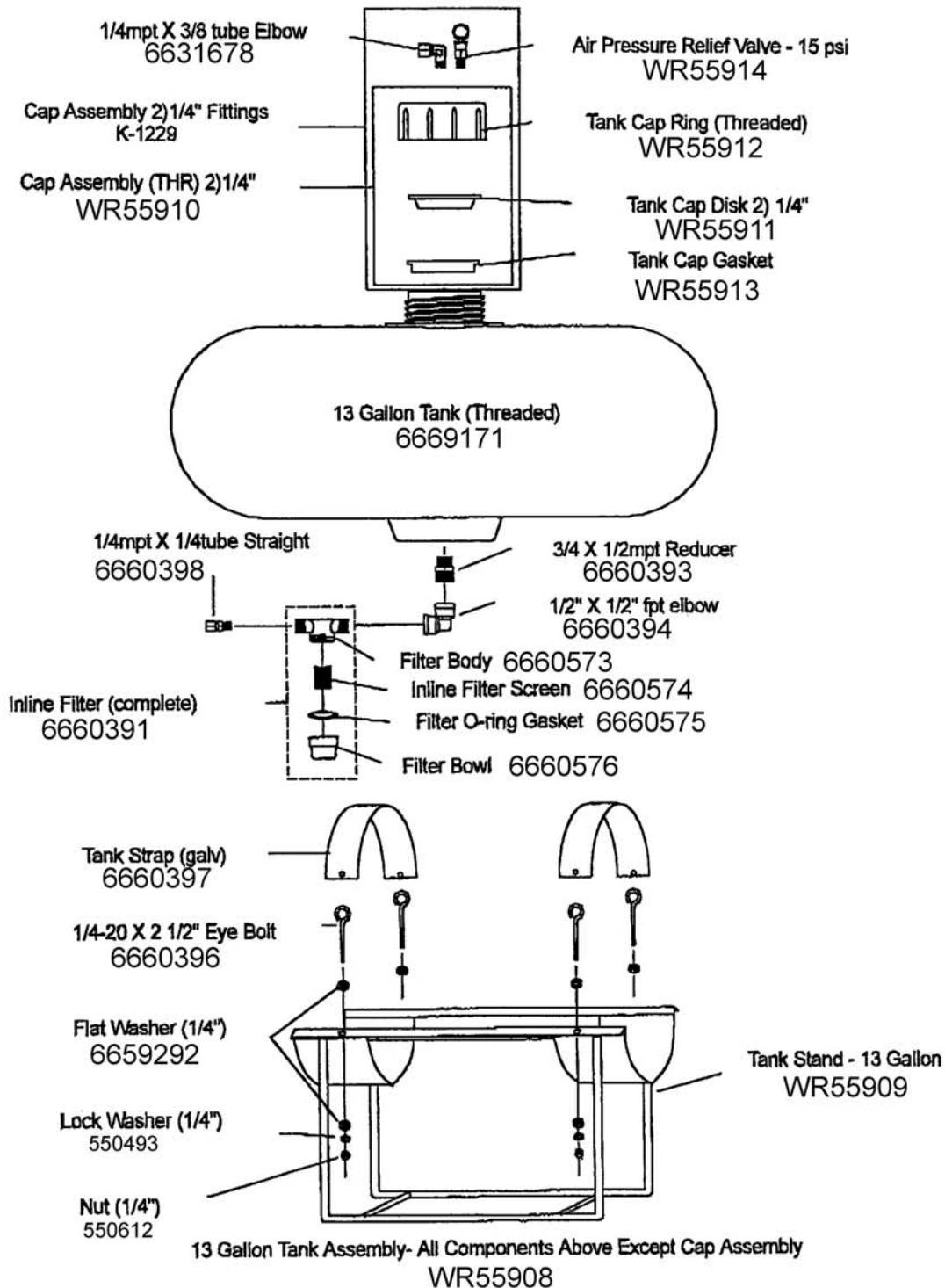
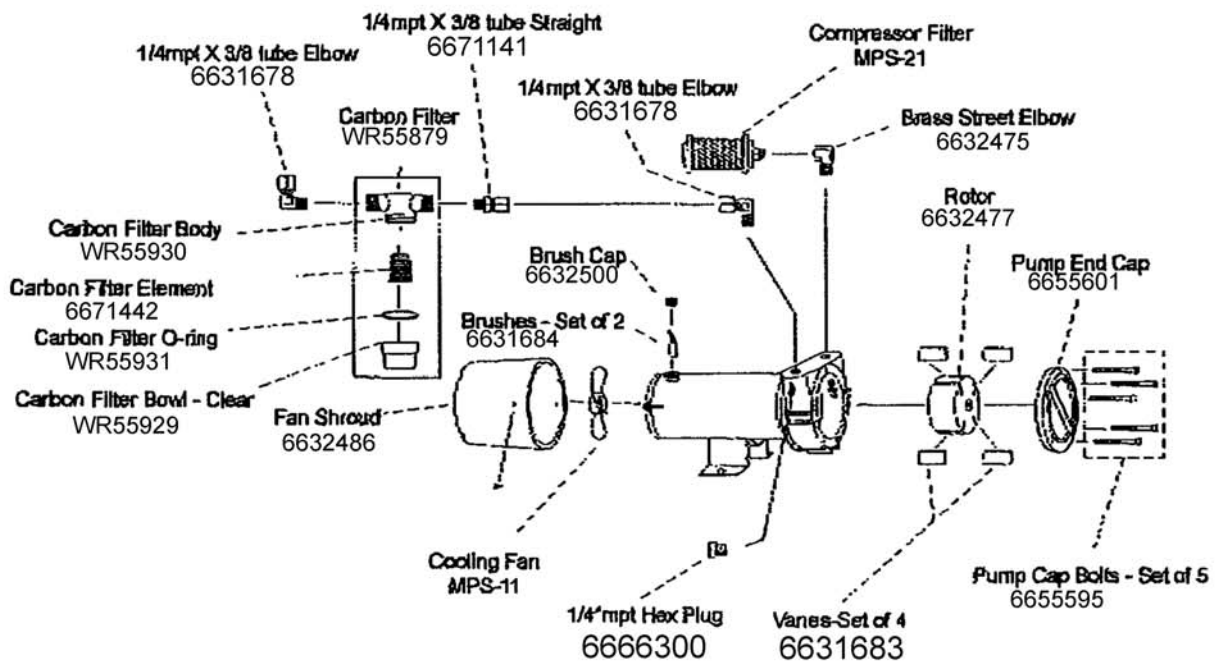


FIGURE 3 - TRAC MASTER 2000 Tank 13 Gallon

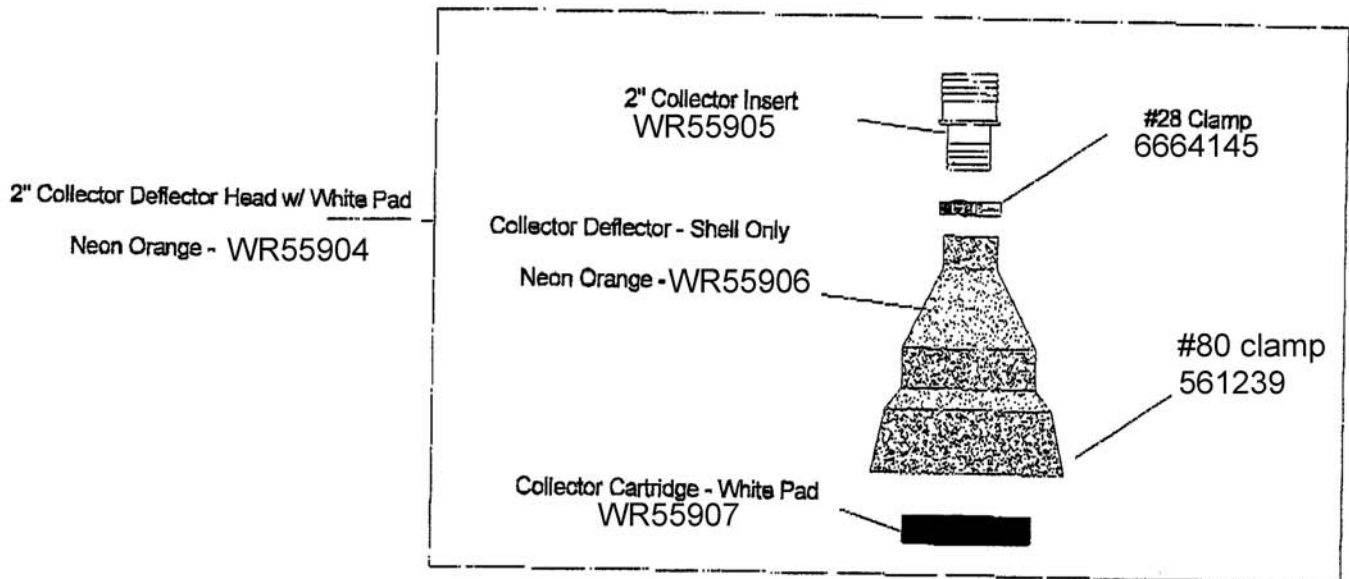
WR55875 - F/A-MARKER,RSC 2130

ITEM	PART #	QTY	DESCRIPTION	COMMENTS
0	WR38864	1	PLATFORM WLDMT-FOAM MARKER	
0	WR38865	4	RECT-1.00X1.00X.375,W/A HOL	
0	WR38878	1	BRACE-FOAM MARKER,RH	
0	WR38879	1	BRACE-FOAM MARKER,LH	
0	WR55879	1	FILTER ASSY-CARBON	SEE PAGE 8-3
0	WR55880	2	CROSS-06 TUBE	
0	WR55882	1	COVER-POWER UNIT	
0	WR55883	1	POWER UNIT,BOX ONLY-RSC	
0	WR55884	1	CABLE POWER,W/FEMALE PLUG	
0	WR55885	1	CABLE-2 WIRE,BATTERY	
0	WR55888	2	RSC FOAMHEAD/VALVE ASSY	SEE PAGE 8-4
0	WR55902	20	FOAM HOSE- 1 1/4	
0	WR55903	2	STEAMER-FOAM, 2 IN	
0	WR55904	2	DEFLECTOR-COLLECTOR, 2 IN	SEE PAGE 8-5
0	WR55908	1	TANK ASSY,13 GAL RSC2130	SEE PAGE 8-6
0	WR55910	1	CAP-ASSY, 2 1/4 IN	SEE PAGE 8-7
0	WR55916	1	PACKAGE-MOUNTING	SEE PAGE 8-8
0	WR55917	1	PACKAGE-MOUNTING,	SEE PAGE 8-9
0	WR55918	1	PACKAGE-MOUNTING,	SEE PAGE 8-10
0	WR55919	5	UNION-BULKHEAD,-04 TUBE	
0	WR55920	2	VALVE-CHECK, 1/4 DISK	
0	WR10854	6	CLAMP-HOSE,1 1/4 SST,	
0	WR10856	4	CLAMP-HOSE,2 SST, "ADAMS"	
0	WR127281	2	VALVE-SOLENOID, SIDE SWITCH	
0	WR29567	-	TUBE-AIR 1/4 OD, R/B 511021 [BULK: 106.5 FT]	
0	WR33395	1	TEE-04TUBE,ACETAL	
0	WR51241	2	TEE-04MP/-04 TUBE,PLASTIC	
0	WR514288	-	TUBING 0.37 OD NYLON(015669) [BULK: 202 FT]	
0	WR516481	1	CONNECTOR M 0.38X0.25NPT AUTLK	
0	WR55372	4	NUT-LOCK FLANGE, 1/2-13NC	
0	6620133	2	U-BOLT SQUARE,1/2 NC	
0	6631677	3	FITTING-BULKHEAD,-06 TUBE	
0	6631678	2	ELBOW,W/NUT	
0	6631680	1	COMPRESSOR-FOAM MARKER	SEE PAGE 8-11
0	6632492	2	ELBOW-2 IN ,BOOM END	
0	6660378	1	VALVE-FLOW CONTROL,BRASS	
0	6660391	1	FILTER ASSY, INCLINE	SEE PAGE 8-12
0	6660393	1	ADAPTER-08MP/-12MP PP	
0	6660394	1	ELBOW-90,-08FP/-08FP PP	
0	6660398	2	ADAPTER-04MP/-04 TUBE	
0	6660403	7	ELBOW-90,-02MP/-04 TUBE	
0	6660486	2	VALVE-ANTI SYPHON,HI-LOW	
0	6666294	1	VALVE-CHECK,3/8 DISK	



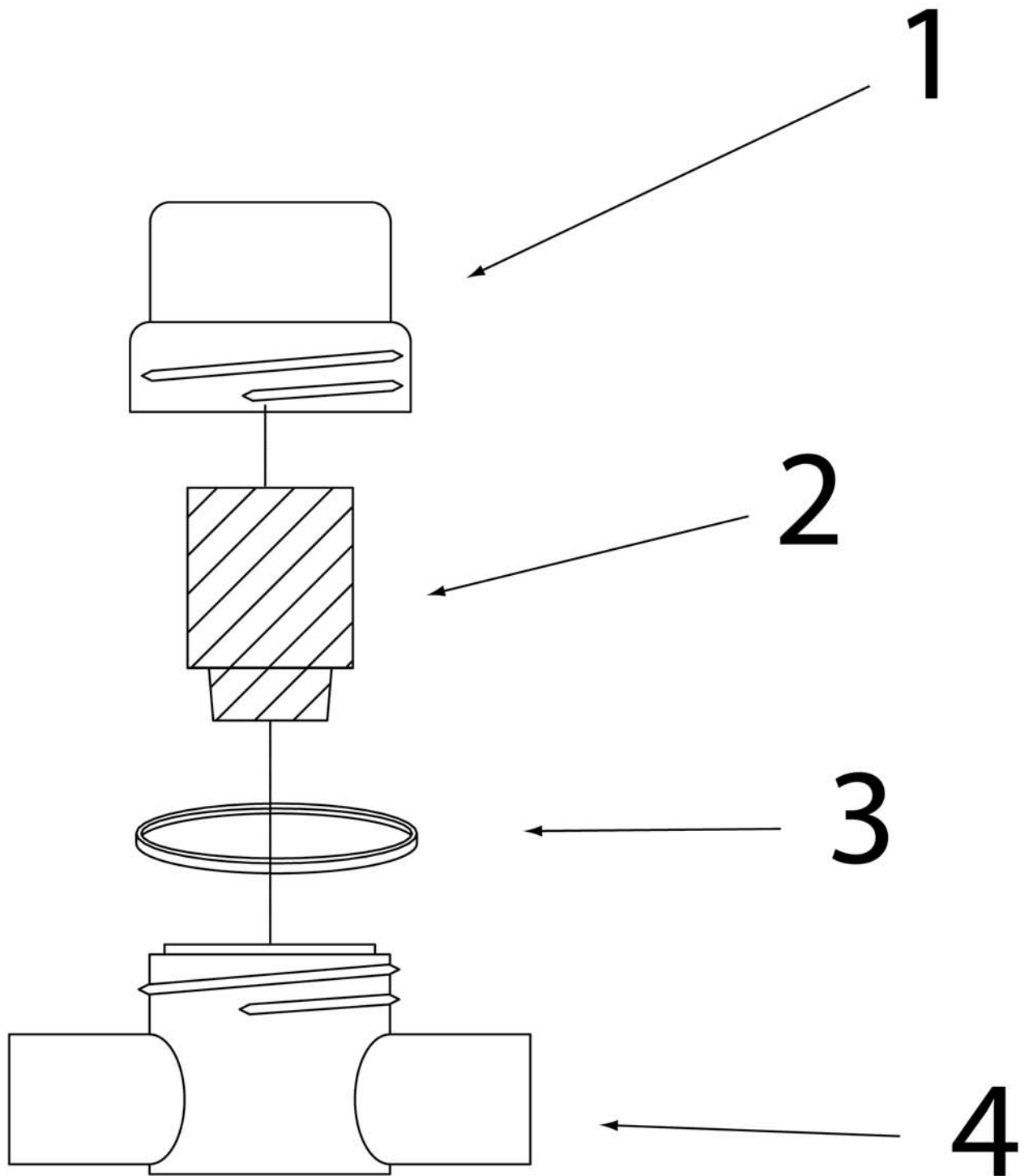
WR55875 - F/A-MARKER,RSC 2130

ITEM	PART #	QTY	DESCRIPTION	COMMENTS
0	WR38864	1	PLATFORM WLDMT-FOAM MARKER	
0	WR38865	4	RECT-1.00X1.00X.375,W/A HOL	
0	WR38878	1	BRACE-FOAM MARKER,RH	
0	WR38879	1	BRACE-FOAM MARKER,LH	
0	WR55372	4	NUT-LOCK FLANGE, 1/2-13NC	
0	6620133	2	U-BOLT SQUARE,1/2 NC	
0	WR127281	2	VALVE-SOLENOID, SIDE SWITCH	
0	WR55879	1	FILTER ASSY-CARBON	SEE PAGE 8-3
0	WR55880	2	CROSS-06 TUBE	
0	WR55882	1	COVER-POWER UNIT	
0	WR55883	1	POWER UNIT,BOX ONLY-RSC	
0	WR55884	1	CABLE POWER,W/FEMALE PLUG	
0	WR55885	1	CABLE-2 WIRE,BATTERY	
0	WR55888	2	RSC FOAMHEAD/VALVE ASSY	SEE PAGE 8-4
0	WR55902	20	FOAM HOSE- 1 1/4	
0	WR55903	2	STEAMER-FOAM, 2 IN	
0	WR55904	2	DEFLECTOR-COLLECTOR, 2 IN	SEE PAGE 8-5
0	WR55908	1	TANK ASSY,13 GAL RSC2130	SEE PAGE 8-6
0	WR55910	1	CAP-ASSY, 2 1/4 IN	SEE PAGE 8-7
0	WR55916	1	PACKAGE-MOUNTING	SEE PAGE 8-8
0	WR55917	1	PACKAGE-MOUNTING,	SEE PAGE 8-9
0	WR55918	1	PACKAGE-MOUNTING,	SEE PAGE 8-10
0	WR55919	5	UNION-BULKHEAD,-04 TUBE	
0	WR55920	2	VALVE-CHECK, 1/4 DISK	
0	WR10854	6	CLAMP-HOSE,1 1/4 SST,	
0	WR10856	4	CLAMP-HOSE,2 SST, "ADAMS"	
0	WR29567	-	TUBE-AIR 1/4 OD, R/B 511021 [BULK: 106.5 FT]	
0	WR33395	1	TEE-04TUBE,ACETAL	
0	WR51241	2	TEE-04MP/-04 TUBE,PLASTIC	
0	WR514288	-	TUBING 0.37 OD NYLON(015669) [BULK: 202 FT]	
0	WR516481	1	CONNECTOR M 0.38X0.25NPT AUTLK	
0	6631677	3	FITTING-BULKHEAD,-06 TUBE	
0	6631678	2	ELBOW,W/NUT	
0	6631680	1	COMPRESSOR-FOAM MARKER	SEE PAGE 8-11
0	6632492	2	ELBOW-2 IN ,BOOM END	
0	6660378	1	VALVE-FLOW CONTROL,BRASS	
0	6660391	1	FILTER ASSY, INCLINE	SEE PAGE 8-12
0	6660393	1	ADAPTER-08MP/-12MP PP	
0	6660394	1	ELBOW-90,-08FP/-08FP PP	
0	6660398	2	ADAPTER-04MP/-04 TUBE	
0	6660403	7	ELBOW-90,-02MP/-04 TUBE	
0	6660486	2	VALVE-ANTI SYPHON,HI-LOW	
0	6666294	1	VALVE-CHECK,3/8 DISK	



WR55875 - F/A-MARKER,RSC 2130

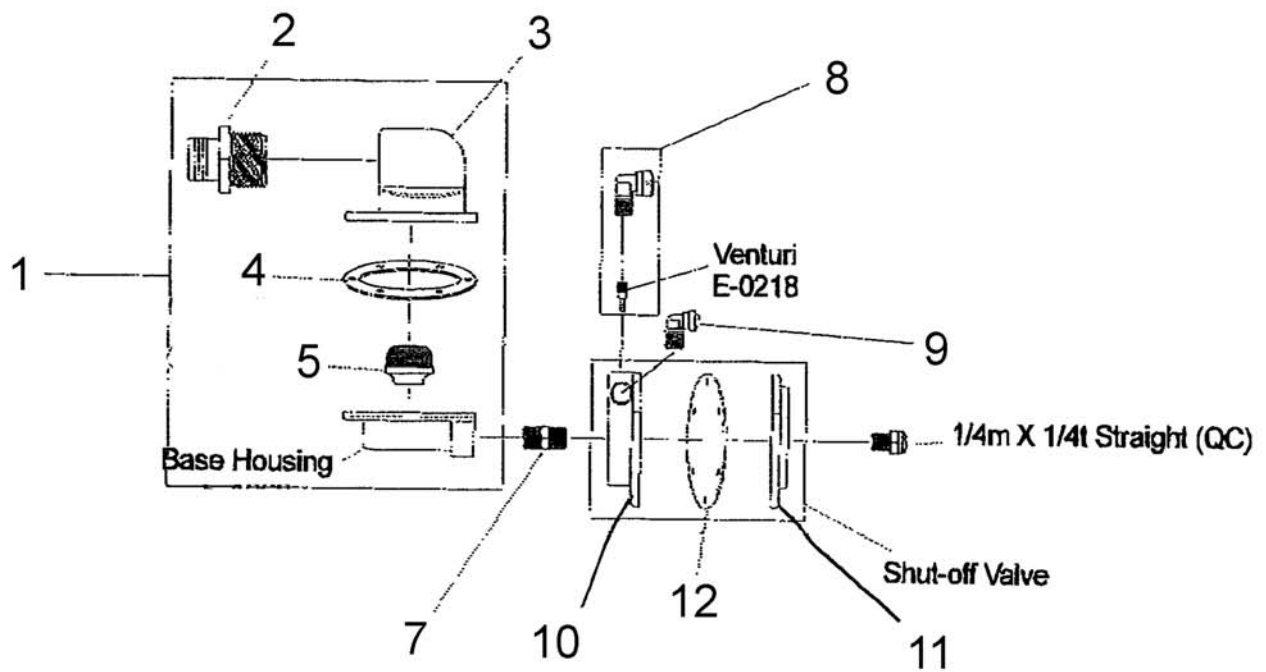
ITEM	PART #	QTY	DESCRIPTION	COMMENTS
0	WR38864	1	PLATFORM WLDMT-FOAM MARKER	
0	WR38865	4	RECT-1.00X1.00X.375,W/A HOL	
0	WR38878	1	BRACE-FOAM MARKER,RH	
0	WR38879	1	BRACE-FOAM MARKER,LH	
0	WR55879	1	FILTER ASSY-CARBON	SEE PAGE 8-3
0	WR55880	2	CROSS-06 TUBE	
0	WR55882	1	COVER-POWER UNIT	
0	WR55883	1	POWER UNIT,BOX ONLY-RSC	
0	WR55884	1	CABLE POWER,W/FEMALE PLUG	
0	WR55885	1	CABLE-2 WIRE,BATTERY	
0	WR55888	2	RSC FOAMHEAD/VALVE ASSY	SEE PAGE 8-4
0	WR55902	20	FOAM HOSE- 1 1/4	
0	WR55903	2	STEAMER-FOAM, 2 IN	
0	WR55904	2	DEFLECTOR-COLLECTOR, 2 IN	SEE PAGE 8-5
0	WR55908	1	TANK ASSY,13 GAL RSC2130	SEE PAGE 8-6
0	WR55910	1	CAP-ASSY, 2 1/4 IN	SEE PAGE 8-7
0	WR55916	1	PACKAGE-MOUNTING	SEE PAGE 8-8
0	WR55917	1	PACKAGE-MOUNTING,	SEE PAGE 8-9
0	WR55918	1	PACKAGE-MOUNTING,	SEE PAGE 8-10
0	WR55919	5	UNION-BULKHEAD,-04 TUBE	
0	WR55920	2	VALVE-CHECK, 1/4 DISK	
0	WR10854	6	CLAMP-HOSE,1 1/4 SST,	
0	WR10856	4	CLAMP-HOSE,2 SST, "ADAMS"	
0	WR127281	2	VALVE-SOLENOID, SIDE SWITCH	
0	WR29567	-	TUBE-AIR 1/4 OD, R/B 511021 [BULK: 106.5 FT]	
0	WR33395	1	TEE-04TUBE,ACETAL	
0	WR51241	2	TEE-04MP/-04 TUBE,PLASTIC	
0	WR514288	-	TUBING 0.37 OD NYLON(015669) [BULK: 202 FT]	
0	WR516481	1	CONNECTOR M 0.38X0.25NPT AUTLK	
0	WR55372	4	NUT-LOCK FLANGE, 1/2-13NC	
0	6620133	2	U-BOLT SQUARE,1/2 NC	
0	6631677	3	FITTING-BULKHEAD,-06 TUBE	
0	6631678	2	ELBOW,W/NUT	
0	6631680	1	COMPRESSOR-FOAM MARKER	SEE PAGE 8-11
0	6632492	2	ELBOW-2 IN ,BOOM END	
0	6660378	1	VALVE-FLOW CONTROL,BRASS	
0	6660391	1	FILTER ASSY, INCLINE	SEE PAGE 8-12
0	6660393	1	ADAPTER-08MP/-12MP PP	
0	6660394	1	ELBOW-90,-08FP/-08FP PP	
0	6660398	2	ADAPTER-04MP/-04 TUBE	
0	6660403	7	ELBOW-90,-02MP/-04 TUBE	
0	6660486	2	VALVE-ANTI SYPHON,HI-LOW	
0	6666294	1	VALVE-CHECK,3/8 DISK	



WR55879 - FILTER ASSY-CARBON

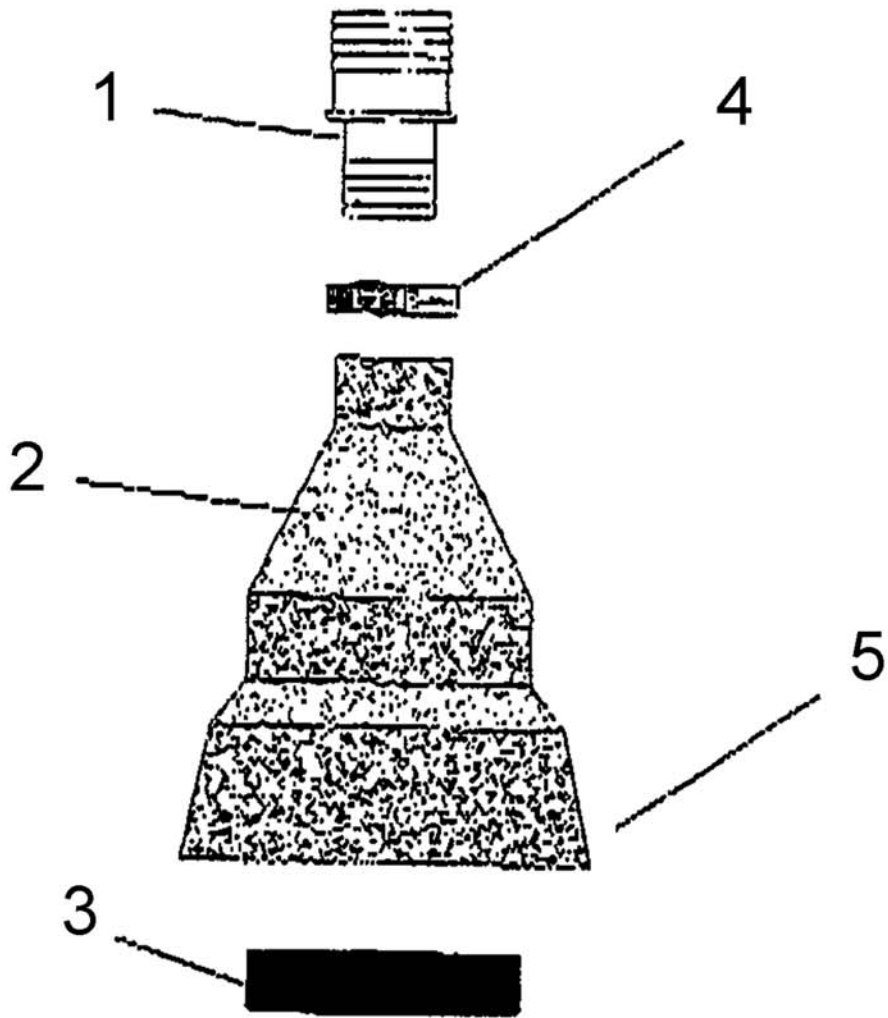
ITEM	PART #	QTY	DESCRIPTION	COMMENTS
1	WR55929	1	BOWL-FILTER,CARBON	
2	6671142	1	ELEMENT-FILTER,CARBON	
3	WR55931	1	O-RING-FILTER,CARBON	
4	WR55930	1	BODY-FILTER,CARBON	

WR55888 - RSC FOAMHEAD/VALVE ASSY



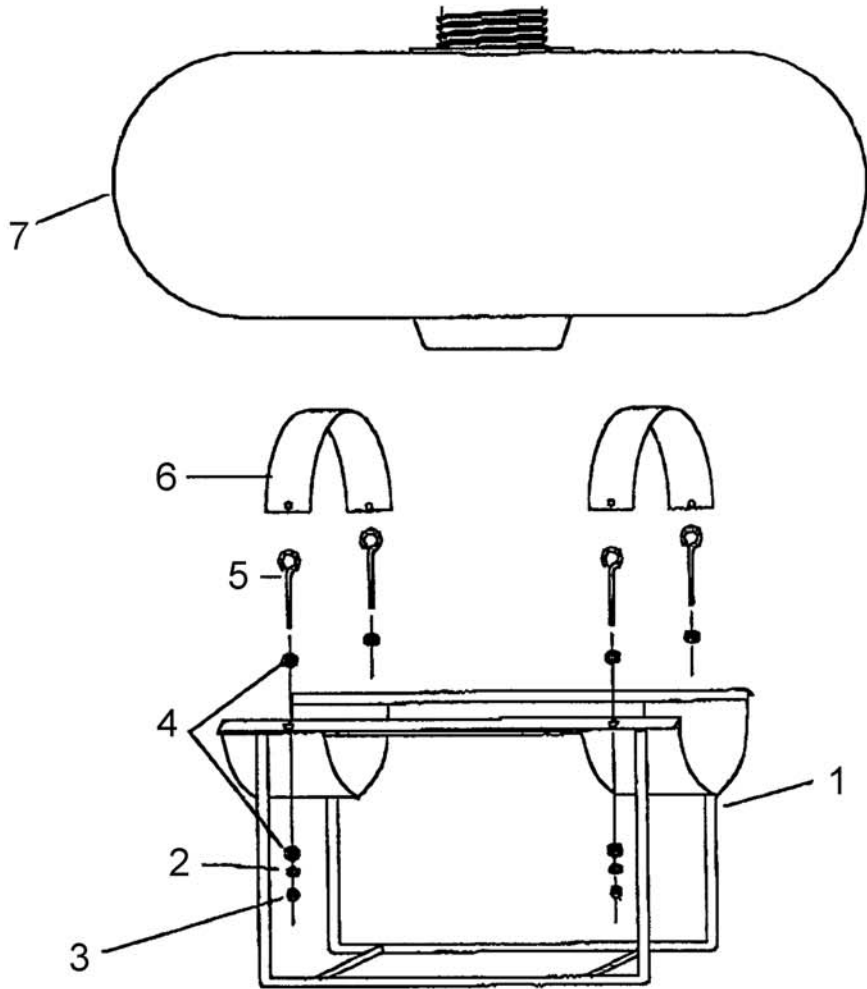
WR55888 - RSC FOAMHEAD/VALVE ASSY

ITEM	PART #	QTY	DESCRIPTION	COMMENTS
0	WR604172	11	NUT-HEX,10-24 UNB-2B GR5 NYLOC	
0	WR55519	1	SCREW-MACH CR,#10 NF X 1.0	
0	WR55901	11	SCREW-MACH,10-24 X 7/8	
1	WR55889	1	RSC FOAM HEAD ONLY	
2	WR55890	1	HOMOGENIZER 1 1/4	
3	WR55891	1	HOUSING-FOAMHEAD, TOP	
4	WR55892	1	GASKET-FOAMHEAD	
5	WR55893	1	SCREEN-3/8F	
6	WR55894	1	BRACKET-MOUNTING	
7	WR55895	1	NIPPLE-06, BRASS	
8	WR55896	1	ELBOW-90-04MP/-06 TUBE W/	
9	WR55897	1	ELBOW-90-04MP/-04 TUBE	
10	WR55898	1	VALVE-SHUT OFF, BASE	
11	WR55899	1	VALVE-SHUT OFF,CAP	
12	WR55900	1	VALVE-SHUT OFF, DIAPHRAGM	



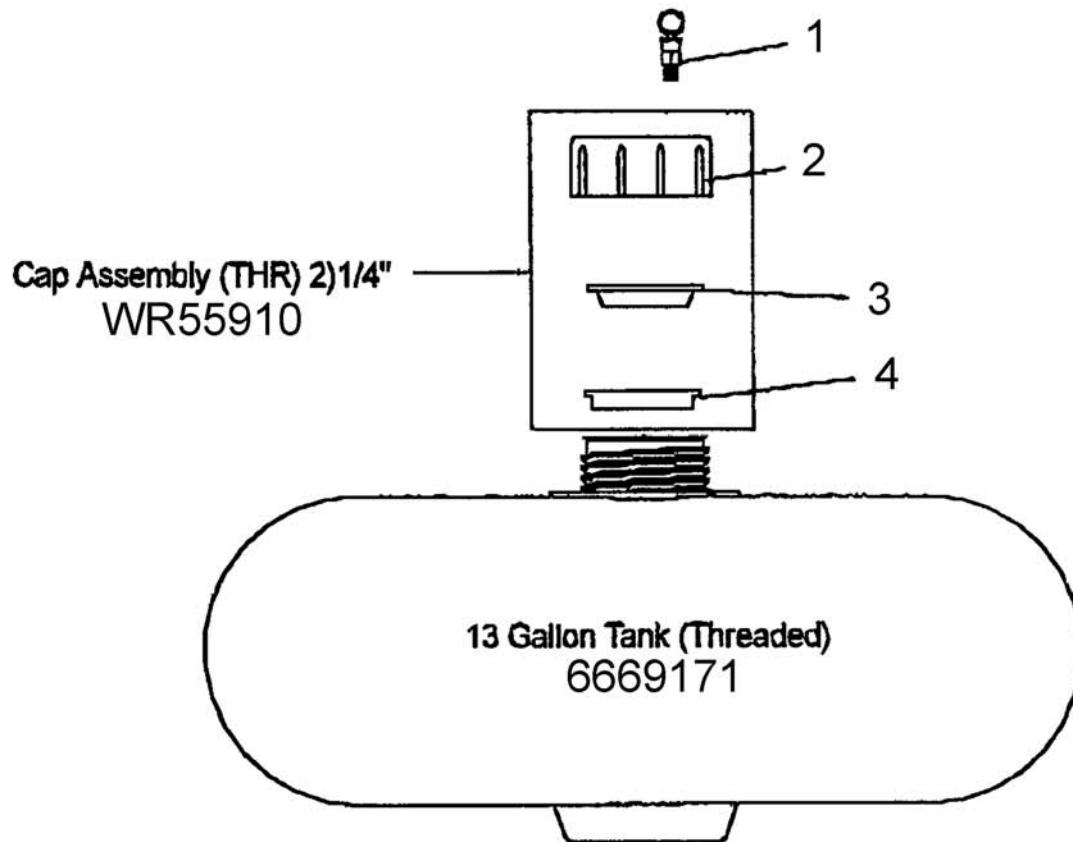
WR55904 - DEFLECTOR-COLLECTOR, 2 IN

ITEM	PART #	QTY	DESCRIPTION	COMMENTS
1	WR55905	1	INSERT-COLLECTOR	
2	WR55906	1	DEFLECTOR-COLLECTOR,	
3	WR55907	1	CARTRIDGE-COLLECTOR	
4	WR55284	1	CLAMP-HOSE,1 3/4 SST	
5	WR55299	1	CLAMP-HOSE,5 SST	



WR55908 - TANK ASSY,13 GAL RSC2130

ITEM	PART #	QTY	DESCRIPTION	COMMENTS
1	WR55909	1	STAND-TANK	
2	WR550493	4	WASHER LK 0.25 ZN REG	
3	WR550612	4	NUT 0.25-20NC HEX ZN REG	
4	WR550671	8	WASHER-.25,FL,ZN,TYPE-A(N	
5	6660396	4	BOLT-EYE, 1/4-20 X 2 1/2 IN	
6	6660397	2	STRAP-TANK	
7	6669171	1	TANK,13 GAL	



WR55910 - CAP-ASSY, 2 1/4 IN

ITEM	PART #	QTY	DESCRIPTION	COMMENTS
1	WR55914	1	VALVE-PRESSURE RELIEF,	
2	WR55912	1	RING-TANK CAP	
3	WR55911	1	DISK-TANK CAP, 2 1/4 IN	
4	WR55913	1	GASKET-TANK CAP	

NO DRAWING AVAILABLE

WR55916 - PACKAGE-MOUNTING

ITEM	PART #	QTY	DESCRIPTION	COMMENTS
0	WR515782	12	WASHER 0.43 FL ZN REG G8	
0	WR550531	6	BOLT 0.43-14NCX 1.00 G5 ZN HHD	
0	WR550558	6	WASHER 0.43 LK ZN REG	
0	WR550566	6	NUT 0.43-14NC HEX ZN REG	

NO DRAWING AVAILABLE

WR55917 - PACKAGE-MOUNTING,

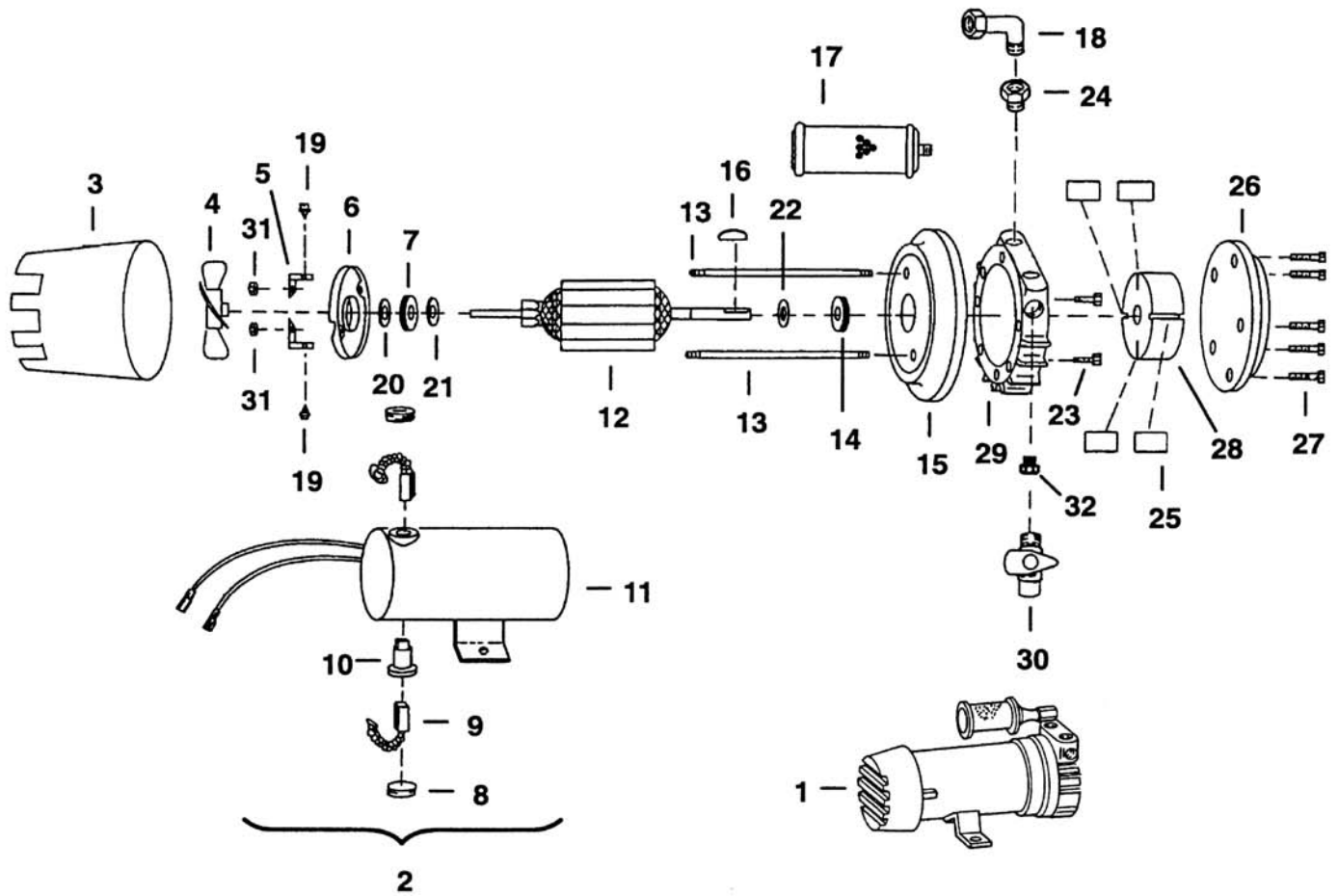
ITEM	PART #	QTY	DESCRIPTION	COMMENTS
0	WR550191	8	WASHER LK 0.37 ZN REG	
0	WR550825	8	NUT 0.37-16NC HEX ZN REG	
0	WR551015	16	WASHER 0.31 FL ZN REG TYPE-B	
0	WR555819	8	BOLT .37-16NCX 1.00G5 PLAIN HD	

NO DRAWING AVAILABLE

WR55918 - PACKAGE-MOUNTING,

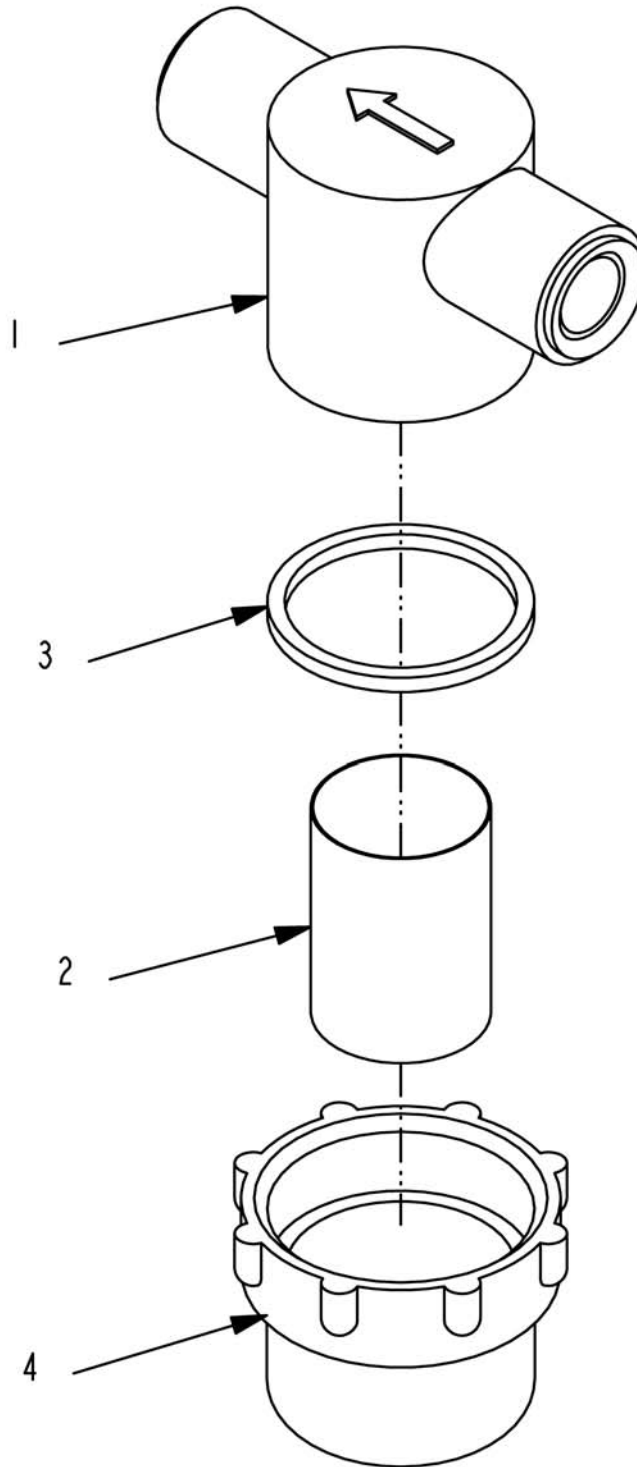
ITEM	PART #	QTY	DESCRIPTION	COMMENTS
0	WR550205	8	WASHER LK 0.31 ZN REG	
0	WR550213	8	NUT 0.31-18NC HEX ZN REG	
0	WR551015	8	WASHER 0.31 FL ZN REG TYPE-B	
0	6612940	2	U-BOLT,BOOM END	
0	6660409	2	BRACKET-B00M END	
0	6664194	2	U-BOLT, 5116-18 X 2 1/16	

6631680 - COMPRESSOR-FOAM MARKER



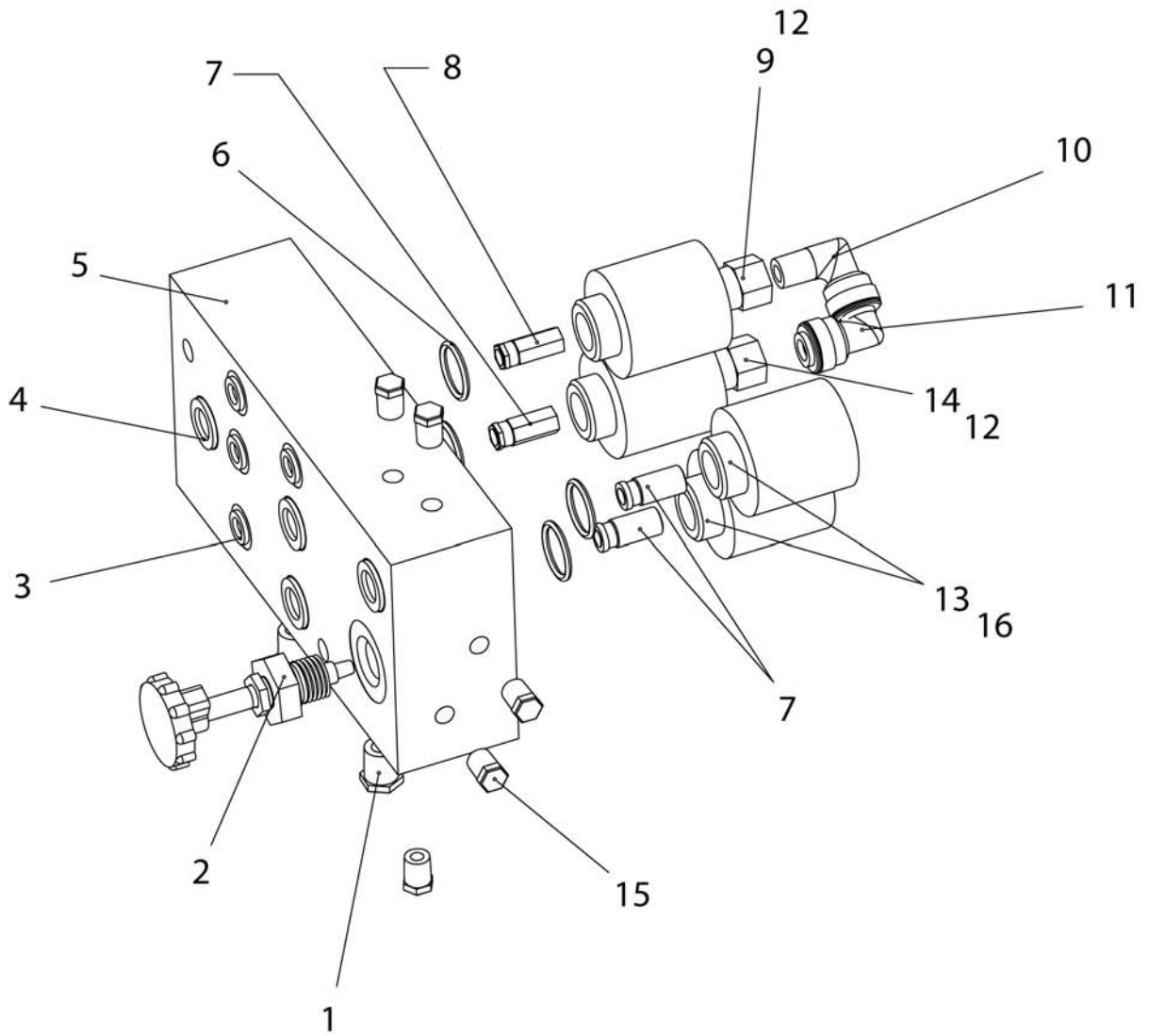
6631680 - COMPRESSOR-FOAM MARKER

ITEM	PART #	QTY	DESCRIPTION	COMMENTS
2	6655603	1	MOTOR	
3	6632486	1	SHROUD	
4	6631675	1	FAN	
5	6655596	2	CLIP	
6	6655599	1	CAP	
7	6633635	1	BEARING	
8	6632500	2	CAP	
9	6631684	1	BRUSH	
10	6655598	1	HOLDER	
11	6655594	1	MOTOR	
12	6655597	1	ARMATURE	
13	6655600	2	BOLTS	
14	6633636	1	BEARING	
15	6655593	1	END BELL	
16	6632478	1	KEY	
17	2504534B	1	FILTER	
18	6660492	1	ELBOW	
19	6659547	2	SCREW	
20	6659548	1	WASHER	
21	6659549	1	RING	
22	6659550	1	RING	
23	6659551	2	SCREW	
24	6660579	1	ADAPTER	
25	6631683	1	VANES-COMPRESSOR-SET OF 4	
26	6655601	1	CAP	
27	6655595	1	BOLTS	
28	6632477	1	ROTOR	
29	6655602	1	HOUSING	
30	6632476	1	VALVE	
31	6659546	2	NUT	
32	6666300	1	PLUG	



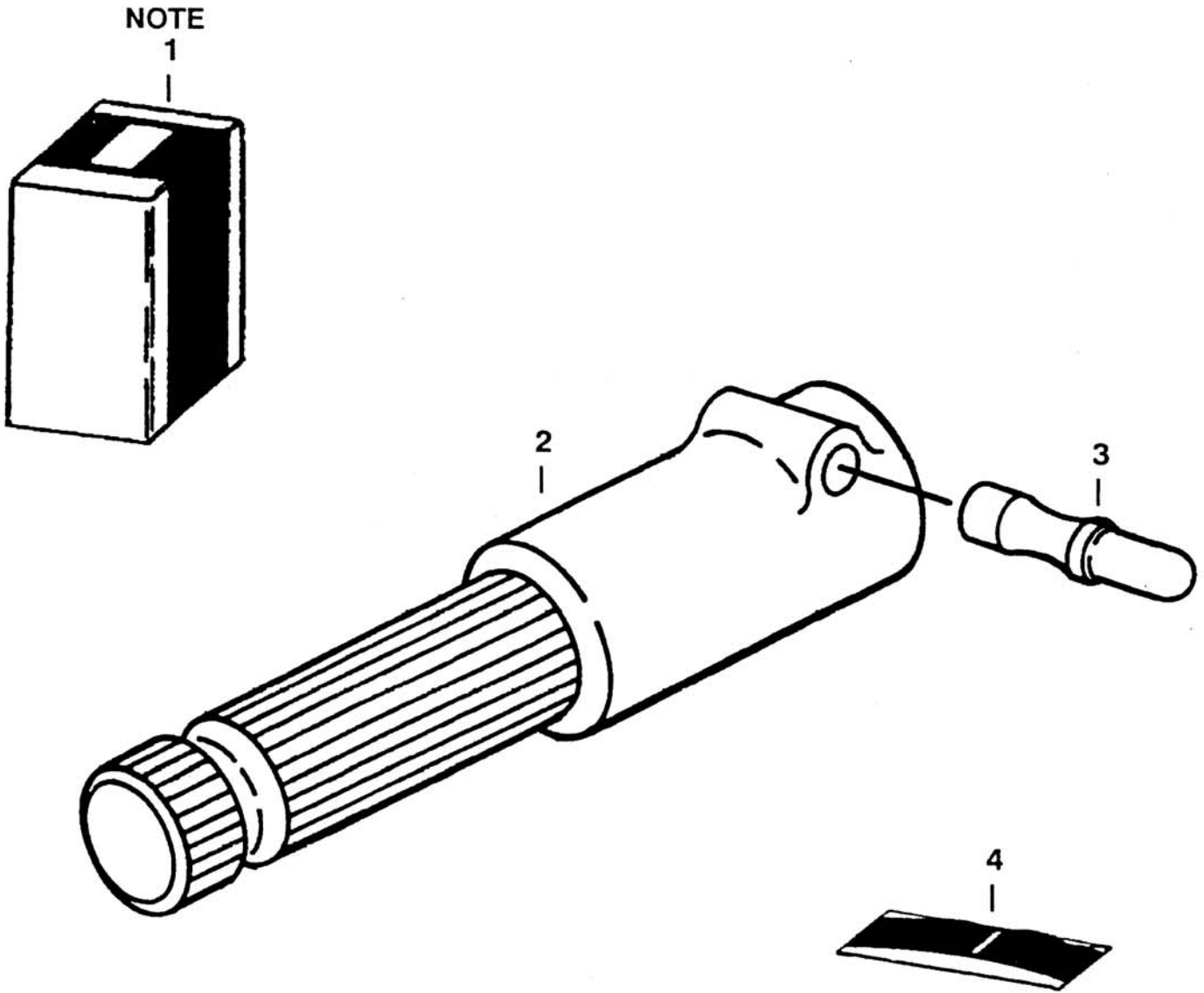
6660391 - FILTER ASSY, INCLINE

ITEM	PART #	QTY	DESCRIPTION	COMMENTS
1	6660573	1	BODY-FITER,CARBON	
2	6660574	1	SCREEN-FILTER,INLINE	
3	6660575	1	O-RING-FILTER,CARBON	
4	6660576	1	BOWL-FILTER,CARBON	



WR132886 - MODULE, CONTROL

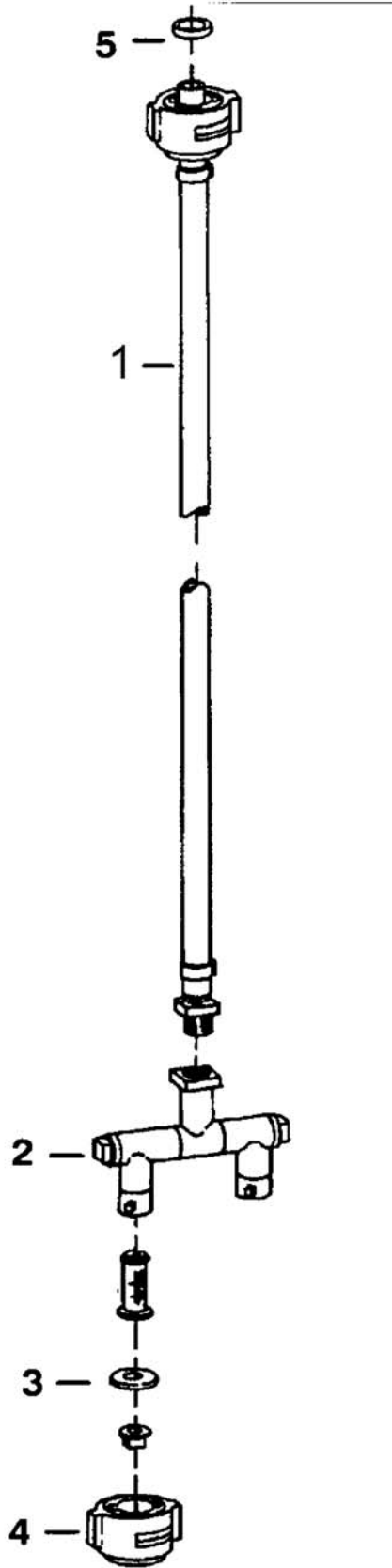
ITEM	PART #	QTY	DESCRIPTION	COMMENTS
1	WR132892	2	PLUG	
2	WR132891	1	VALVE	
3	WR132890	1	COLLET, .25	
4	WR132889	1	COLLET, .375	
5	WR132887	1	BLOCK, ONLY MODULE	
6	WR132897	4	O-RING, VALVE	
7	WR132888	1	PLUNGER, VALVE 3-WAY	
8	WR132896	1	PLUNGER	
9	WR127281	1	VALVE-SOLENOID, SIDE SWITCH	
10	WR132884	1	FITTING, ELBOW	
11	WR132883	1	FITTING, .25 ELBOW	
12	WR132894	2	COIL	
13	WR132895	5	COIL	
14	WR132898	2	VALVE	
15	WR132893	7	PLUG	
16	WR132885	2	VALVE, SOLENOID	



6596156 - F/A-DRIVESHAFT EXTENSION

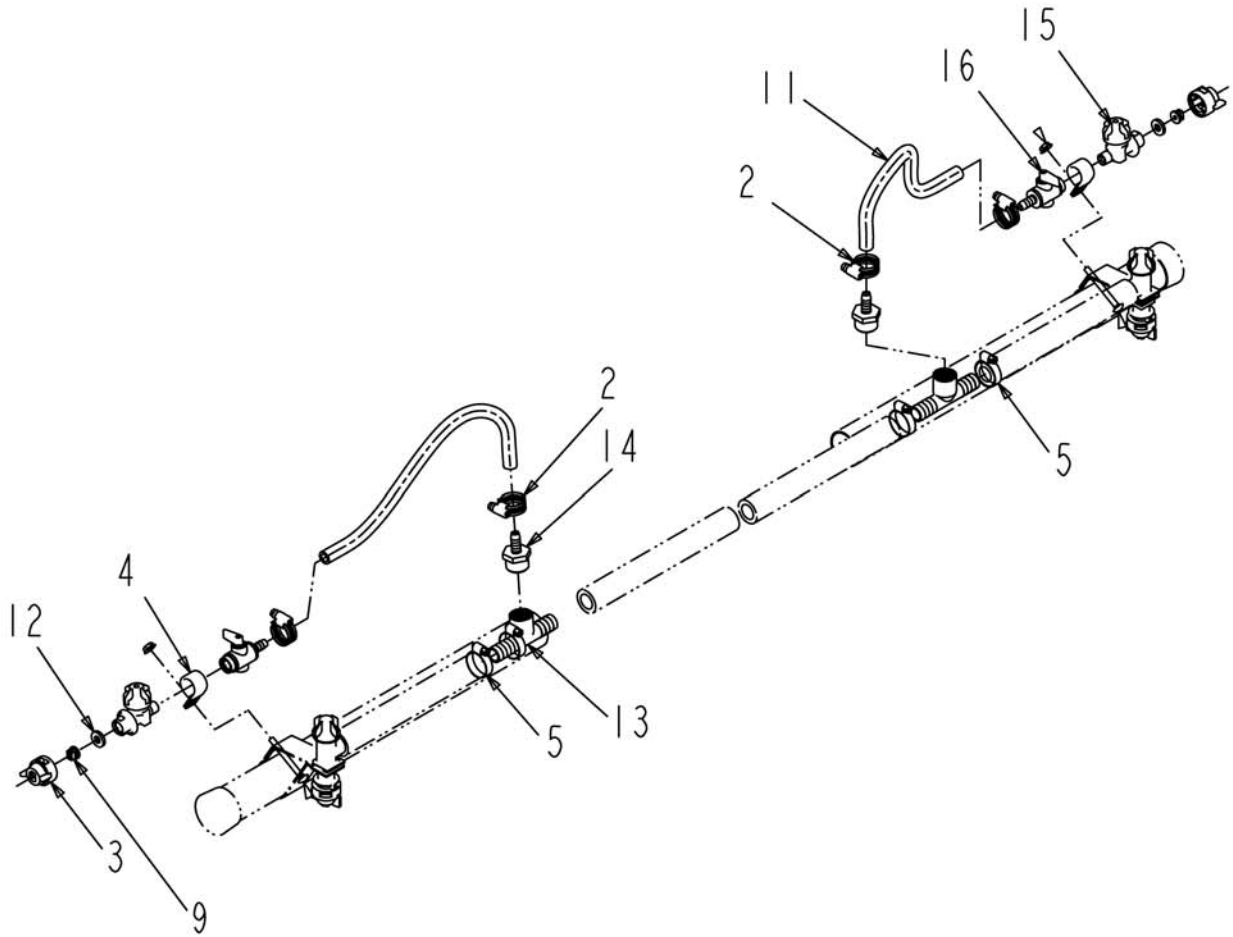
ITEM	PART #	QTY	DESCRIPTION	COMMENTS
1	6610182	1	CARTON	
2	6666601	2	COUPLER-6 IN	
4	6662097	1	PIN W/SPRING	
			ITEM 3 CANNOT BE PURCHASED INDIVIDUALLY BUT IS INCLUDED IN THE COUPLER.	
			ITEM 3: PIN	

6624992 - NOZZLE ASSY-DROP



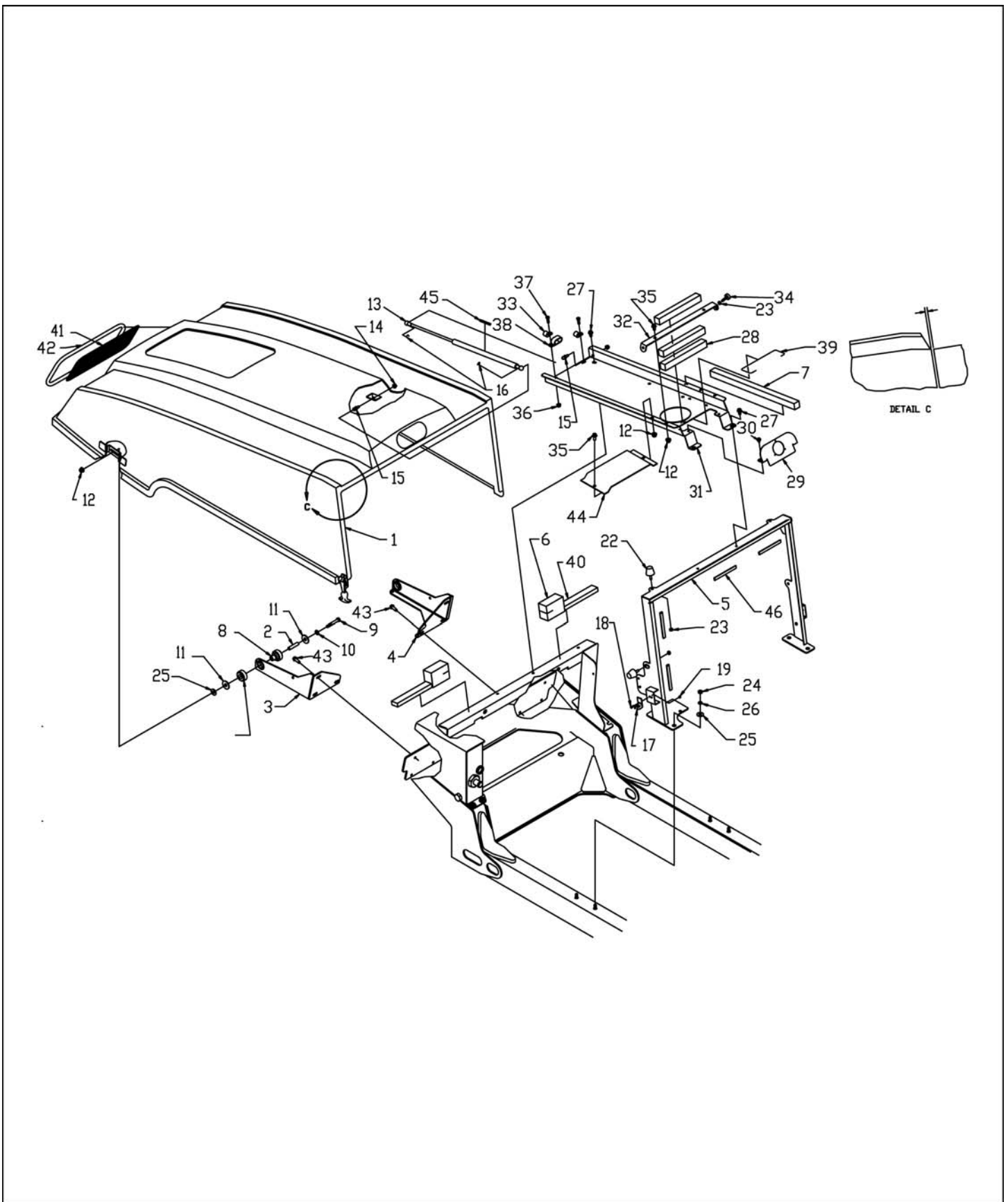
6624992 - NOZZLE ASSY-DROP

ITEM	PART #	QTY	DESCRIPTION	COMMENTS
1	6624991	1	TUBE ASSY-DROP,24 IN	
2	6631066	1	SWIVEL ASSY	
3	6630910	2	GASKET-SEAT	
4	6659610	2	CAP	
5	WR052022	1	SEAT WASHER VI	
5	WR006365	1	SEAT WASHER	



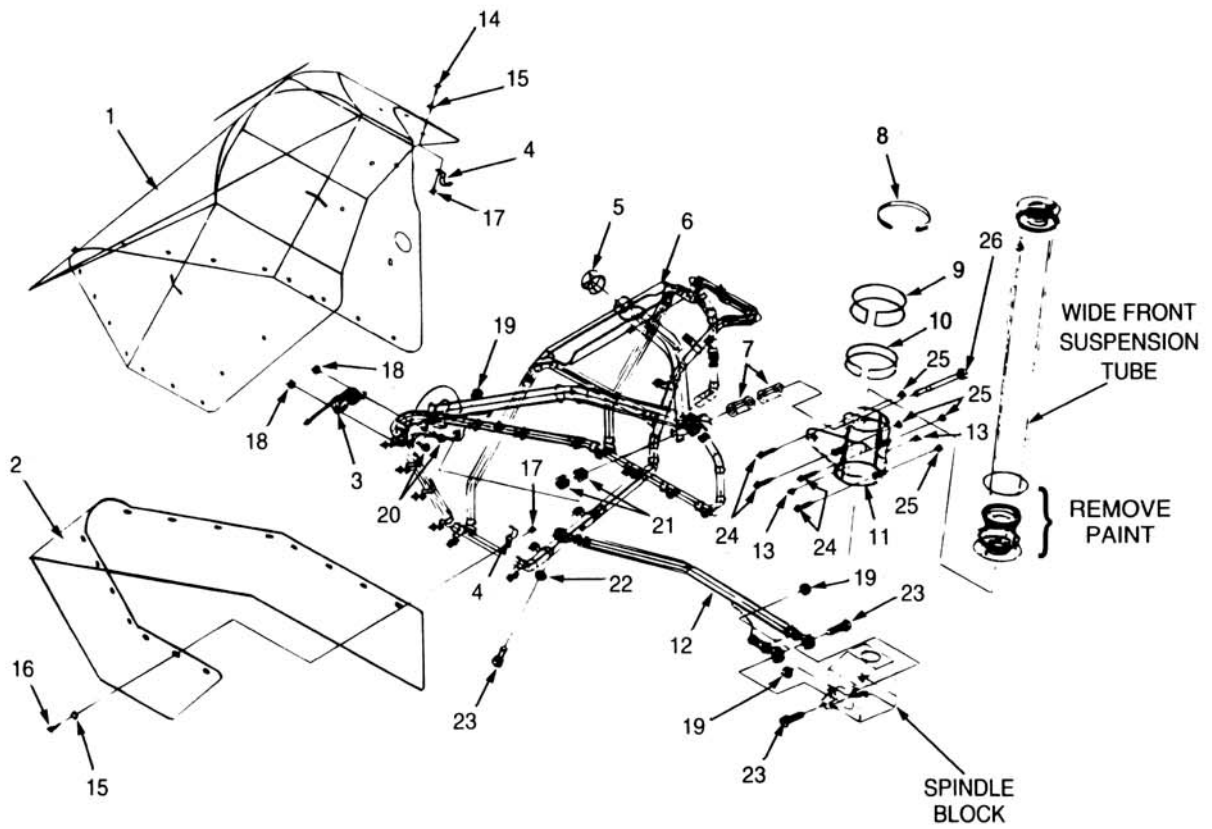
6624973 - KIT-OVERSPRAY

ITEM	PART #	QTY	DESCRIPTION	COMMENTS
1	WR001344	2	TIP OC 12BR	
2	WR10852	4	CLAMP-HOSE,25/32 SST,	
3	WR055191	2	CAP,NOZZLE BLACK	
4	WR55235	2	CLAMP-SUPPORT CUSHION,	
5	WR561229	4	CLAMP 0.68-1.25 HOSE 12HS	
6	6610265	1	CARTON-14 X 10 X 3	
7	6610341	2	TIP-BRASS,200	
8	6610342	2	TIP-BRASS,800	
9	6610348	2	TIP-BRASS,600	
10	6619981	1	INSTR-MTG,OVERSPRAY	
11	6625385	2	HOSE	
12	6630910	2	GASKET-SEAT	
13	6630914	2	TEE	
14	6630915	2	FITTING-HB,NYLON	
15	6631481	2	VALVE-CHECK,DIAPHRAGM,	
16	6631491	2	VALVE-BALL	
			ITEM 5 CANNOT BE PURCHASED INDIVIDUALLY BUT IS INCLUDED IN BULK HOSE.	
			ITEM 5: HOSE	



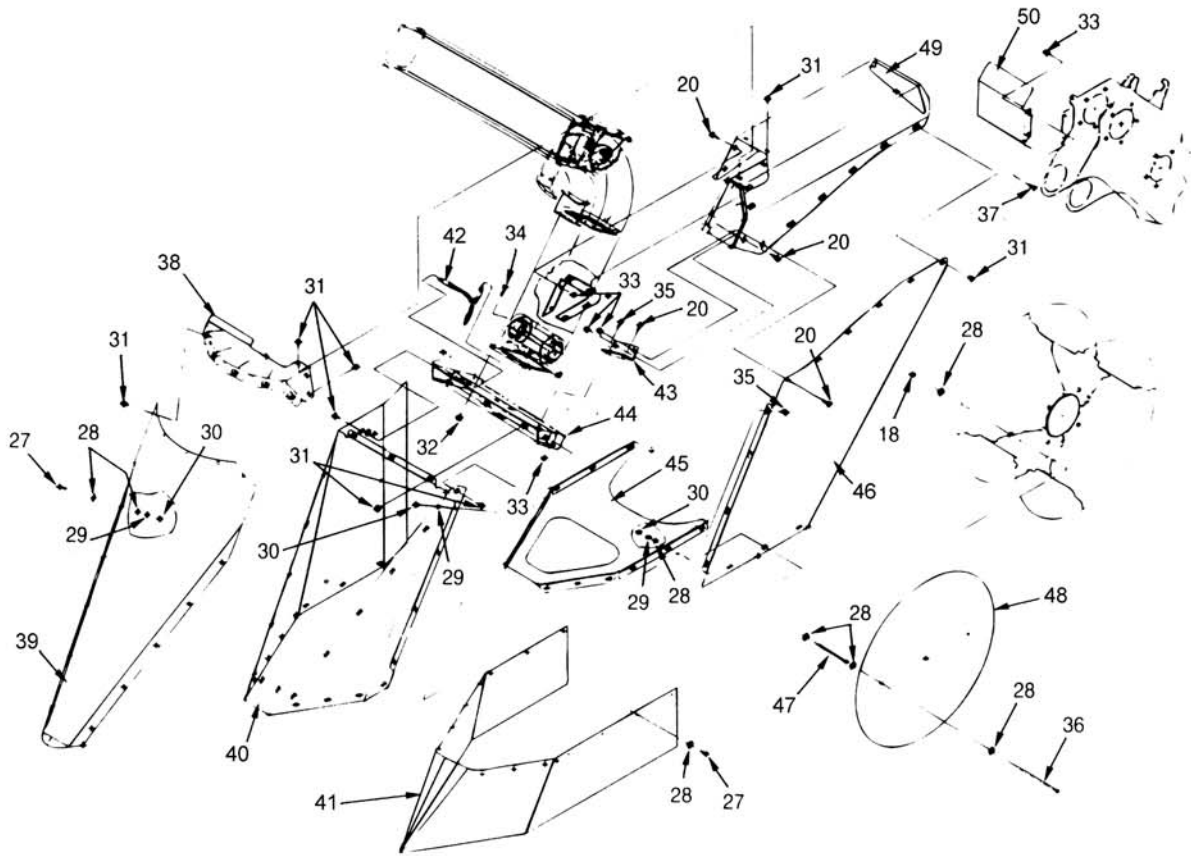
6626949 - F/A-FRONT EXTENSION,SC

ITEM	PART #	QTY	DESCRIPTION	COMMENTS
1	WR55059	8	SCREW-CAP HEX M20 X 50	
2	WR55060	8	SCREW-CAP HEX M20 X 60	
3	WR55078	8	WASHER-PLAIN,20MM ID,LC,	
4	WR55275	16	NUT-LOCK,M20 X 2.0,PREV	
5	6504880	1	SACK-BURLAP	
6	6610264	1	BOX-CARDBOARD	
7	6626941	2	ADAPTER	
8	6626942	1	EXTENSION-FRONT,MACH,LH	
9	6626943	1	EXTENSION-FRONT,MACH,LH	
10	6626948	1	EXTENSION-FRONT,MACH,RH	
11	6626950	1	EXTENSION-FRONT,MACH,RH	
12	6627290	2	NUT-HEX	
13	6629550	1	INSTR-MTG,FRONT EXTENSION	



6627373 - F/A-CROP DEFLECTOR,WF,

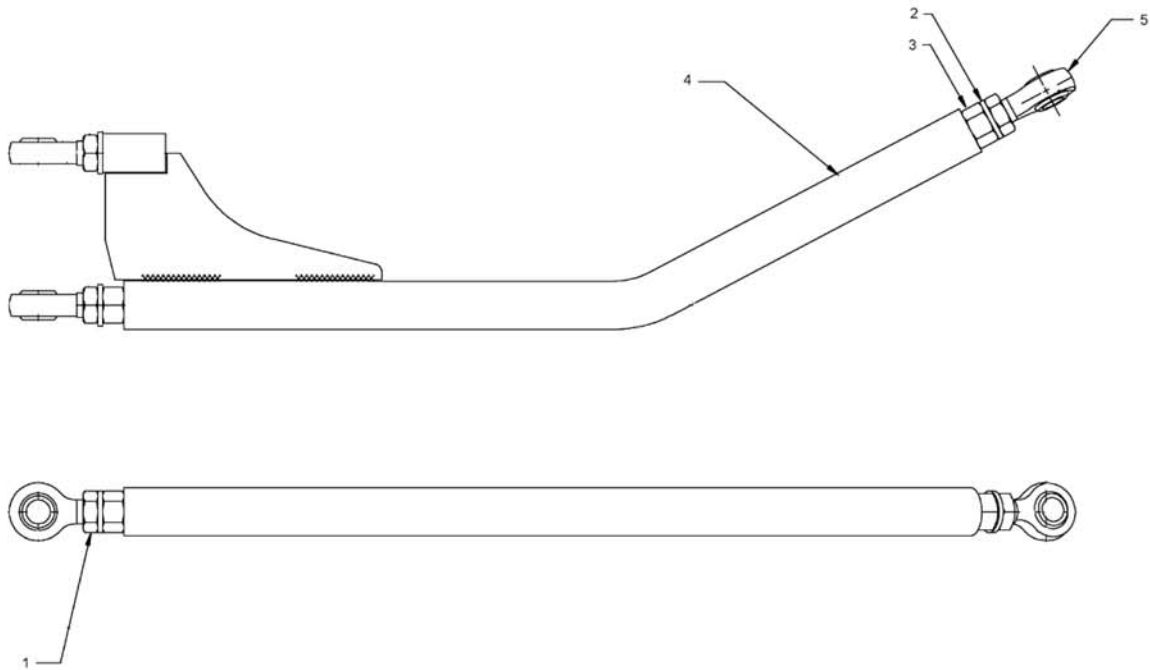
ITEM	PART #	QTY	DESCRIPTION	COMMENTS
0	6627256	1	PANEL-RH	
0	6504880	1	SACK-BURLAP	
1	6626876	1	SHIELD-CROP,LH	
1	6626877	1	SHIELD-CROP,RH	
2	6657731	2	APRON	
3	6626900	2	SPRING-APRON	
4	WR55665	50	CLAMP-COATED 1.0 ID X .62W	
5	6659910	2	CAP	
6	6626902	1	FRAME-W/A,RH	
6	6626901	1	FRAME-W/A,LH	
7	6617579	2	BUSHING-RUBBER	
8	WR55299	2	CLAMP-HOSE,5 SST	
9	6627498	2	SPACER-SEAL	
10	6627499	2	SEAL-PIVOT	
11	6627378	2	PIVOT-MACH	
12	6597223	2	STEERING ASSY-ARM	
13	WR559083	4	FITTING LUB 90D 0.125 NPTF	SEE PAGE 8-19
14	WR562327	20	BOLT M6-1.00X20MM G8.8 ZN HHD	
15	WR55157	50	WASHER-FLAT,8MM ID,	
16	WR520866	30	BOLT-M6-1.0X25,CL8.8,ZN,HHD	
17	WR55271	50	NUT-LOCK,M6 X 1.0,PREV	
18	WR55272	8	NUT-LOCK,M10 X 1.5,PREV	
19	WR55355	6	NUT-TOPLOCK,5/8-11UNC G8	
20	WR55215	10	SCREW-HEX FLG,M10X1.5X25 CL8.8	
21	WR550477	4	NUT 0.62-11NC HEX ZN REG	
22	WR550450	2	WASHER 0.62 LK ZN REG	
23	WR552062	6	BOLT 0.62-11NCX 2.00 G5 ZN HHD	
24	WR552240	8	BOLT 0.37-16NCX 2.00 G5 ZN HHD	
25	WR55353	8	NUT-TOPLOCK, 3/8-16UNC G8	
26	WR55021	2	SCREW-CAP HEX 5/8 NC X	
27	WR55193	48	SCREW-CAP SOCK M10 X 25,	
28	WR551007	66	WASHER FL 0.37 ZN REG TYPE-B	
29	WR55158	56	WASHER-FLAT,10MM ID,	
30	WR50838	56	NUT-HEX,METRIC M10-1.5	
31	WR55045	44	SCREW-CAP HEX M10 X 16	
32	WR55273	12	NUT-LOCK,M12 X 1.5,PREV	
33	WR55301	14	NUT-FLANGE,M10 X 1.5,PREV	
34	WR55055	12	SCREW-CAP HEX M12 X 30	
35	WR55214	10	SCREW-HEX FLG,M10X1.5X20 CL8.8	
36	WR555819	8	BOLT .37-16NCX 1.00G5 PLAIN HD	
37	WR561683	8	BOLT M10-1.5 X 25MM G8.8 ZN HH	
38	6627280	1	PANEL-W/A,LH	
38	6627281	1	PANEL-W/A,RH	
39	6627282	2	FRONT-DEFLECTOR,CROP	
40	6627258	1	WRAPAROUND-RH	
40	6627257	1	WRAPAROUND-LH	
41	6626875	2	APRON	
42	6531180	2	HOSE-02MP-02MPX-03R1	
43	6627254	2	BRACKET	
44	6627279	1	MOUNT-W/A,RH	
44	6627278	1	MOUNT-W/A,LH	
45	6617533	1	BRACE-LH	
45	6617534	1	BRACE-RH	
46	6627255	1	PANEL-LH	
47	6801026	4	SPACER	
48	6617676	2	SHIELD-WHEEL	
49	6627252	1	FENDER-W/A,LH	
49	6627253	1	FENDER-W/A,RH	
50	6627262	2	SHIELD	



6627373 - F/A-CROP DEFLECTOR,WF,

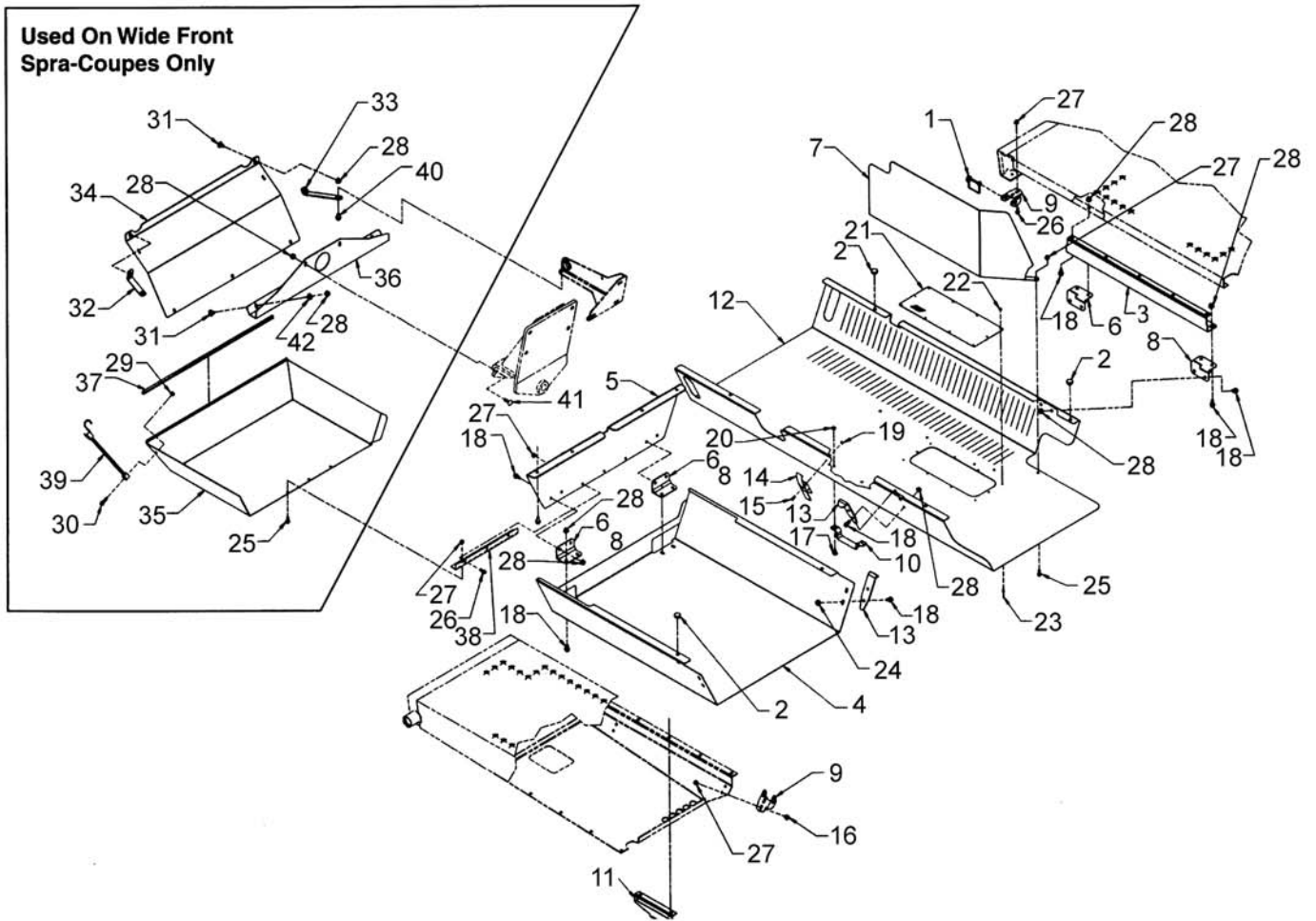
ITEM	PART #	QTY	DESCRIPTION	COMMENTS
0	6504880	1	SACK-BURLAP	
0	6627256	1	PANEL-RH	
1	6626876	1	SHIELD-CROP,LH	
1	6626877	1	SHIELD-CROP,RH	
2	6657731	2	APRON	
3	6626900	2	SPRING-APRON	
4	WR55665	50	CLAMP-COATED 1.0 ID X .62W	
5	6659910	2	CAP	
6	6626901	1	FRAME-W/A,LH	
6	6626902	1	FRAME-W/A,RH	
7	6617579	2	BUSHING-RUBBER	
8	WR55299	2	CLAMP-HOSE,5 SST	
9	6627498	2	SPACER-SEAL	
10	6627499	2	SEAL-PIVOT	
11	6627378	2	PIVOT-MACH	
12	6597223	2	STEERING ASSY-ARM	SEE PAGE 8-19
13	WR559083	4	FITTING LUB 90D 0.125 NPTF	
14	WR562327	20	BOLT M6-1.00X20MM G8.8 ZN HHD	
15	WR55157	50	WASHER-FLAT,8MM ID,	
16	WR520866	30	BOLT-M6-1.0X25,CL8.8,ZN,HHD	
17	WR55271	50	NUT-LOCK,M6 X 1.0,PREV	
18	WR55272	8	NUT-LOCK,M10 X 1.5,PREV	
19	WR55355	6	NUT-TOPLOCK,5/8-11UNC G8	
20	WR55215	10	SCREW-HEX FLG,M10X1.5X25 CL8.8	
21	WR550477	4	NUT 0.62-11NC HEX ZN REG	
22	WR550450	2	WASHER 0.62 LK ZN REG	
23	WR552062	6	BOLT 0.62-11NCX 2.00 G5 ZN HHD	
24	WR552240	8	BOLT 0.37-16NCX 2.00 G5 ZN HHD	
25	WR55353	8	NUT-TOPLOCK, 3/8-16UNC G8	
26	WR55021	2	SCREW-CAP HEX 5/8 NC X	
27	WR55193	48	SCREW-CAP SOCK M10 X 25,	
28	WR551007	66	WASHER FL 0.37 ZN REG TYPE-B	
29	WR55158	56	WASHER-FLAT,10MM ID,	
30	WR50838	56	NUT-HEX,METRIC M10-1.5	
31	WR55045	44	SCREW-CAP HEX M10 X 16	
32	WR55273	12	NUT-LOCK,M12 X 1.5,PREV	
33	WR55301	14	NUT-FLANGE,M10 X 1.5,PREV	
34	WR55055	12	SCREW-CAP HEX M12 X 30	
35	WR55214	10	SCREW-HEX FLG,M10X1.5X20 CL8.8	
36	WR555819	8	BOLT .37-16NCX 1.00G5 PLAIN HD	
37	WR561683	8	BOLT M10-1.5 X 25MM G8.8 ZN HH	
38	6627280	1	PANEL-W/A,LH	
38	6627281	1	PANEL-W/A,RH	
39	6627282	2	FRONT-DEFLECTOR,CROP	
40	6627257	1	WRAPAROUND-LH	
40	6627258	1	WRAPAROUND-RH	
41	6626875	2	APRON	
42	6531180	2	HOSE-02MP-02MPX-03R1	
43	6627254	2	BRACKET	
44	6627278	1	MOUNT-W/A,LH	
44	6627279	1	MOUNT-W/A,RH	
45	6617533	1	BRACE-LH	
45	6617534	1	BRACE-RH	
46	6627255	1	PANEL-LH	
47	6801026	4	SPACER	
48	6617676	2	SHIELD-WHEEL	
49	6627252	1	FENDER-W/A,LH	
49	6627253	1	FENDER-W/A,RH	
50	6627262	2	SHIELD	

6597223 - STEERING ASSY-ARM



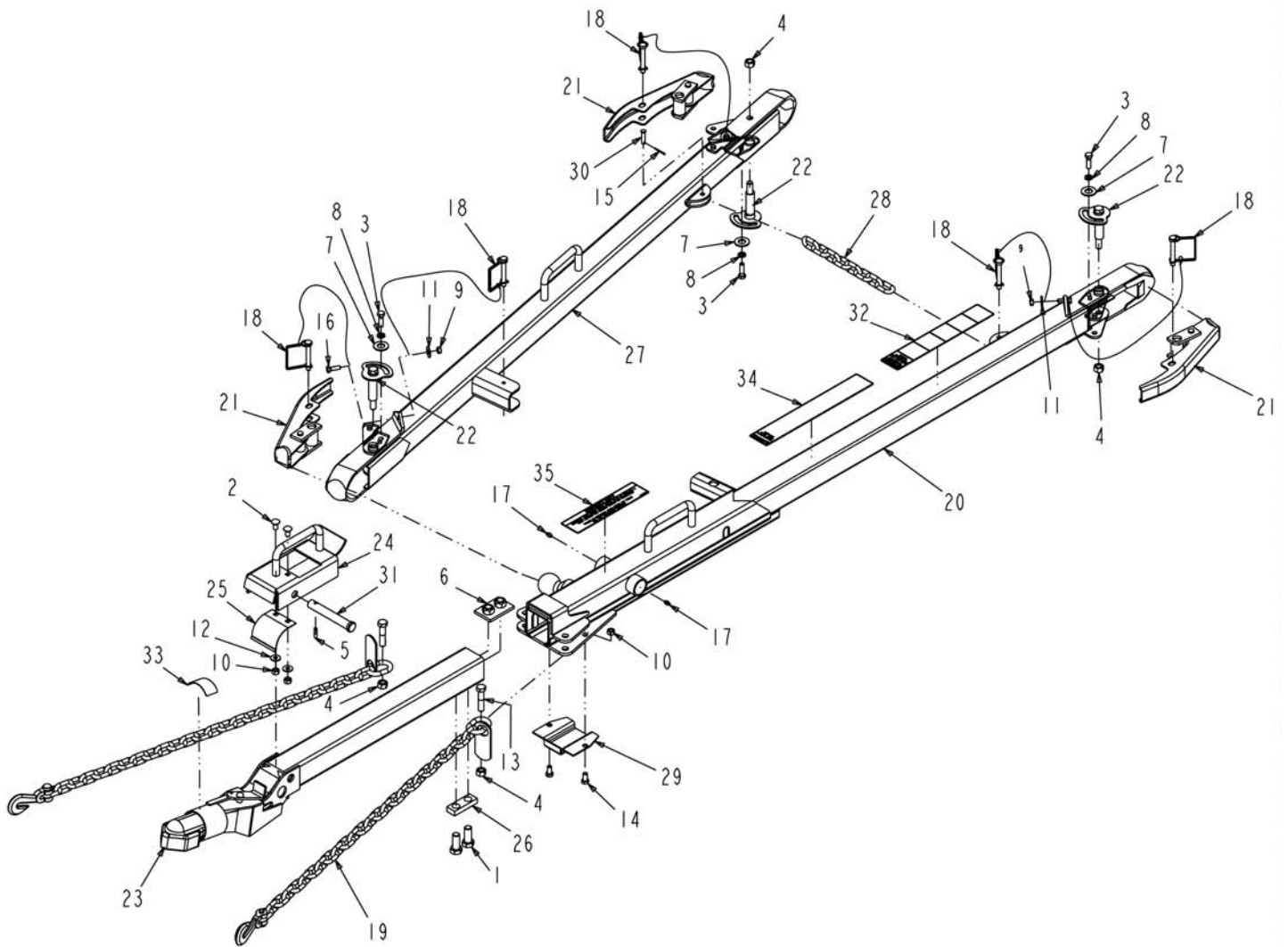
6597223 - STEERING ASSY-ARM

ITEM	PART #	QTY	DESCRIPTION	COMMENTS
1	WR11536	3	NUT-JAM, 5/8-18UNF G5 MIN	
2	WR550450	3	WASHER 0.62 LK ZN REG	
3	WR551937	2	NUT 0.62-18NF HEX ZN REG (D)	
4	6627345	1	ARM-STEERING,W/A	
5	6669712	3	JOINT-BALL	



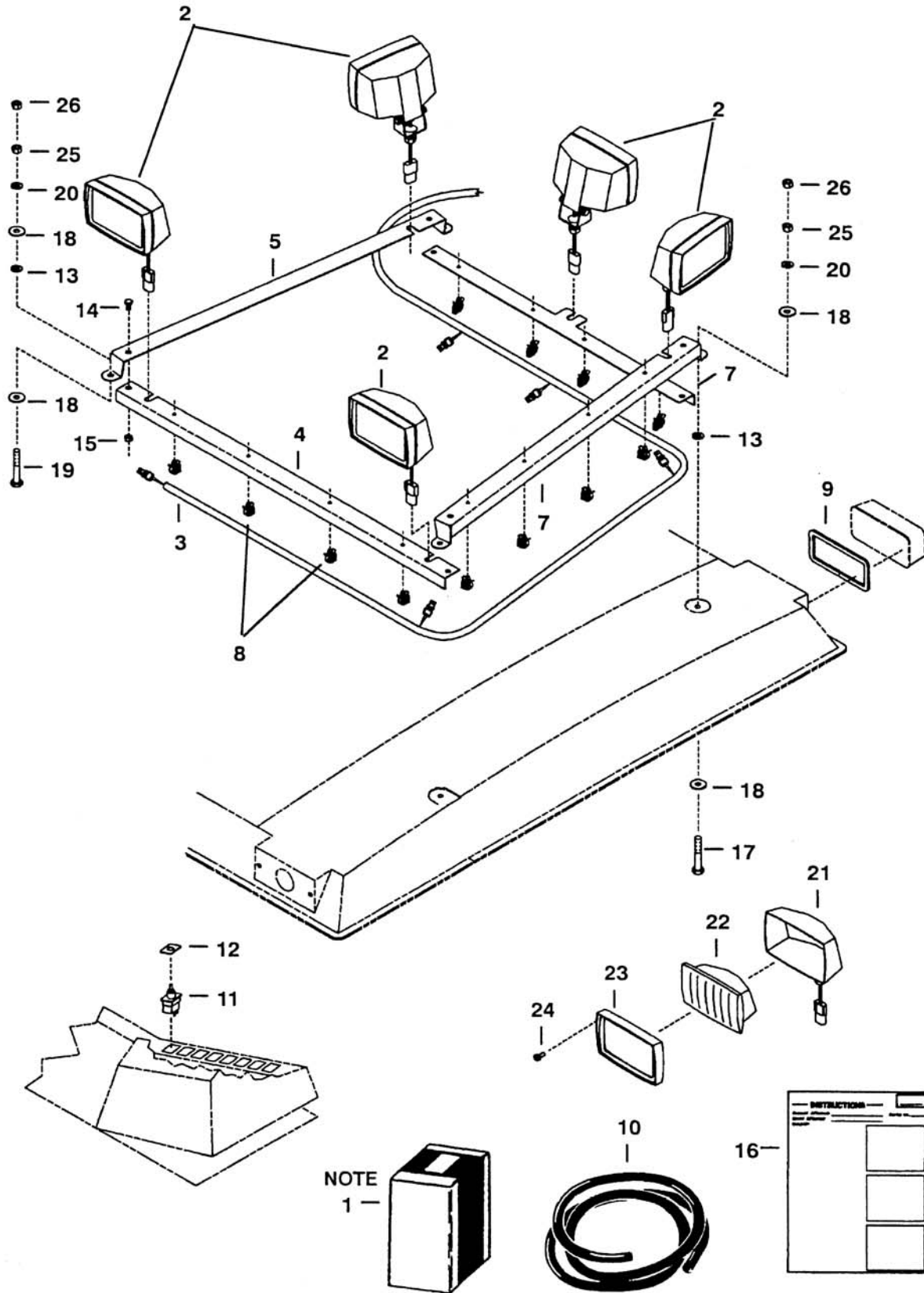
6627794 - F/A-BELLY PAN,WF

ITEM	PART #	QTY	DESCRIPTION	COMMENTS
0	6504880	1	SACK-BURLAP	
0	6627437	1	BOX-PLYWOOD	
0	6629573	1	INSTR-MTG,BELLY PAN WIDE	
1	6510020	3	PIN-SNAPPER	
2	6519178	6	BUMPER	
3	6626826	1	CHANNEL	
4	6801993	1	SHIELD-CENTER	
5	6800103	1	PLATE-BELLY PAN	
6	6626861	2	HINGE-RH	
7	6801085	1	SHIELD-MUFFLER	
8	6626869	2	HINGE	
9	6626921	3	EAR-LATCH	
10	6627414	1	HANDLE	
11	6627458	1	BRACKET-LATCH	
12	6801063	1	SHIELD-CROP	
13	6626860	3	ANGLE	
14	6664825	1	LATCH-DRAW,OVER CNTR	
15	WR34508	2	SCREW-CAP HEX M6 X 1.0 X	
16	WR55171	2	BOLT-CARRIAGE,M8 X 16,	
17	WR55172	2	BOLT-CARRIAGE,M8 X 20,	
18	WR55214	32	SCREW-HEX FLG,M10X1.5X20 CL8.8	
19	WR55310	2	NUT-LOCK HEX,M6 X 1.0,	
20	WR32254	2	NUT-TOPLOCK,M8-1.25	
21	6801069	1	SCREEN-FAN	
22	WR55178	10	WASHER-FLAT STD,#8	
23	6630207	10	RIVET-POP	
24	WR55301	4	NUT-FLANGE,M10 X 1.5,PREV	
25	WR55205	8	SCREW-HEX FLG,M8X1.25X16 CL8.8	
26	WR55206	7	SCREW-HEX FLG,M8X1.25X20 CL8.8	
27	WR55280	17	NUT-FLANGE,M8 X 1.25	
28	WR55281	30	NUT-FLANGE,M10 X 1.5	
29	WR55410	2	NUT-FLANGE,M8 X 1.25 CL8,	
30	WR55208	2	SCREW-HEX FLG,M8X1.25X30 CL8.8	
31	WR55173	5	BOLT-CARRIAGE,M10 X 25,	
32	6597860	1	BRACE-LH	
33	6597861	1	BRACE-RH	
34	6597868	1	SHIELD-FRONT	
35	6801994	1	SHIELD-FRONT	
36	6627470	1	SUPPORT-SHIELD	
37	6626964	1	SEAL-EDGE	
38	6626862	1	HINGE	
39	6660569	2	STRAP-RUBBER	
40	WR55191	2	HEX HEAD,THREAD ROLLING SCREW	
41	WR55174	2	BOLT-CARRIAGE,M10 X 30,	
42	WR55076	3	WASHER-PLAIN,12MM ID,LC,	



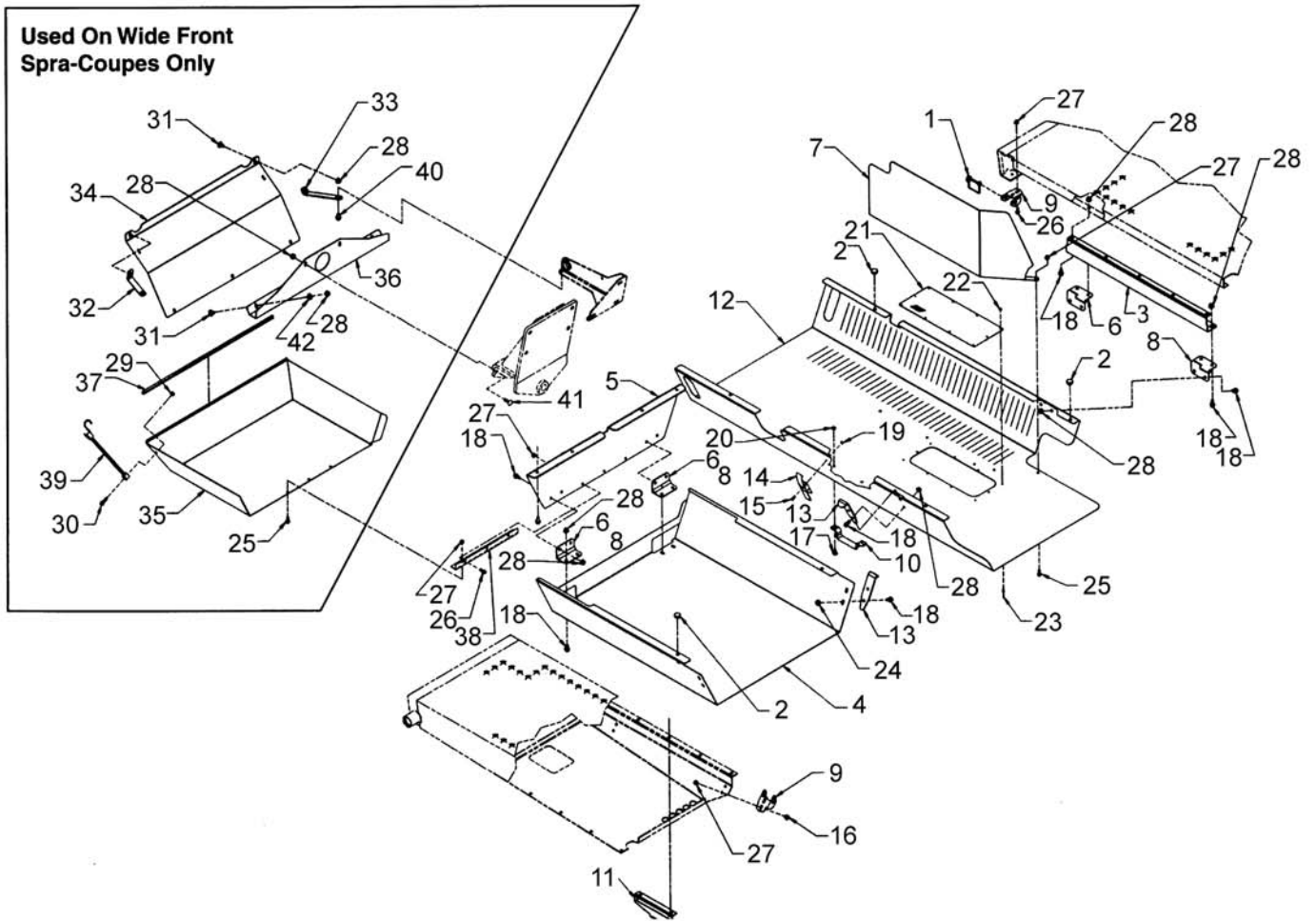
6669692 - HITCH-INSTL

ITEM	PART #	QTY	DESCRIPTION	COMMENTS
1	WR10193	2	SCREW-CAP HEX 5/8 NC X	
2	WR55111	2	BOLT-SQR, HD, 3/8 NC X 3/4 G2	
3	WR55147	3	SCREW-CAP HEX 3/8 NC X	
4	WR55367	5	NUT-TOPLOCK, 1/2-13UNC G5	
5	WR55489	1	PIN-STR COILED,1/4 X	
6	WR132466	1	COUPLER-PLATE,TOW HITCH	
7	WR515180	3	WASHER 0.62 FL ZN REG G8	
8	WR550191	3	WASHER LK 0.37 ZN REG	
9	WR550213	3	NUT 0.31-18NC HEX ZN REG	
10	WR550825	4	NUT 0.37-16NC HEX ZN REG	
11	WR551007	3	WASHER FL 0.37 ZN REG TYPE-B	
12	WR551015	2	WASHER 0.31 FL ZN REG TYPE-B	
13	WR551224	2	BOLT-.50-20X2.25,G5,ZN,HHD	
14	WR551457	2	BOLT.37-16NCX.75 G5 PL HHD (D)	
15	WR552321	1	PIN COTTER 0.09X1.00 ZN (D)	
16	WR559202	3	BOLT 0.31-18NCX 1.00 G8 ZN HHD	
17	WR561892	2	FITTING LUBE STR 0.25UNF	
18	6661838	5	PIN ASSY-HITCH	
19	6665477	2	CHAIN ASSY-SAFETY	
20	6669695	1	HITCH-W/A,LH	
21	6669696	3	HANDLE-W/A	
22	6669697	3	TUBE-CAM,W/A	
23	6669698	1	COUPLER-W/A	
24	6669699	1	LATCH-W/A	
25	6669700	1	SPRING	
26	6669702	1	PLATE-STOP	
27	6669703	1	HITCH-W/A,RH	
28	6669707	1	CHAIN	
29	6670718	1	COVER-BOTTOM	
30	6670719	1	PIN	
31	6670720	1	PIN	
32	6801473	1	DECAL-HITCH	
33	6803316	1	DECAL-COUPLER	
34	6803317	1	DECAL-WARNING	
35	WR55935	1	DECAL-TOWING	



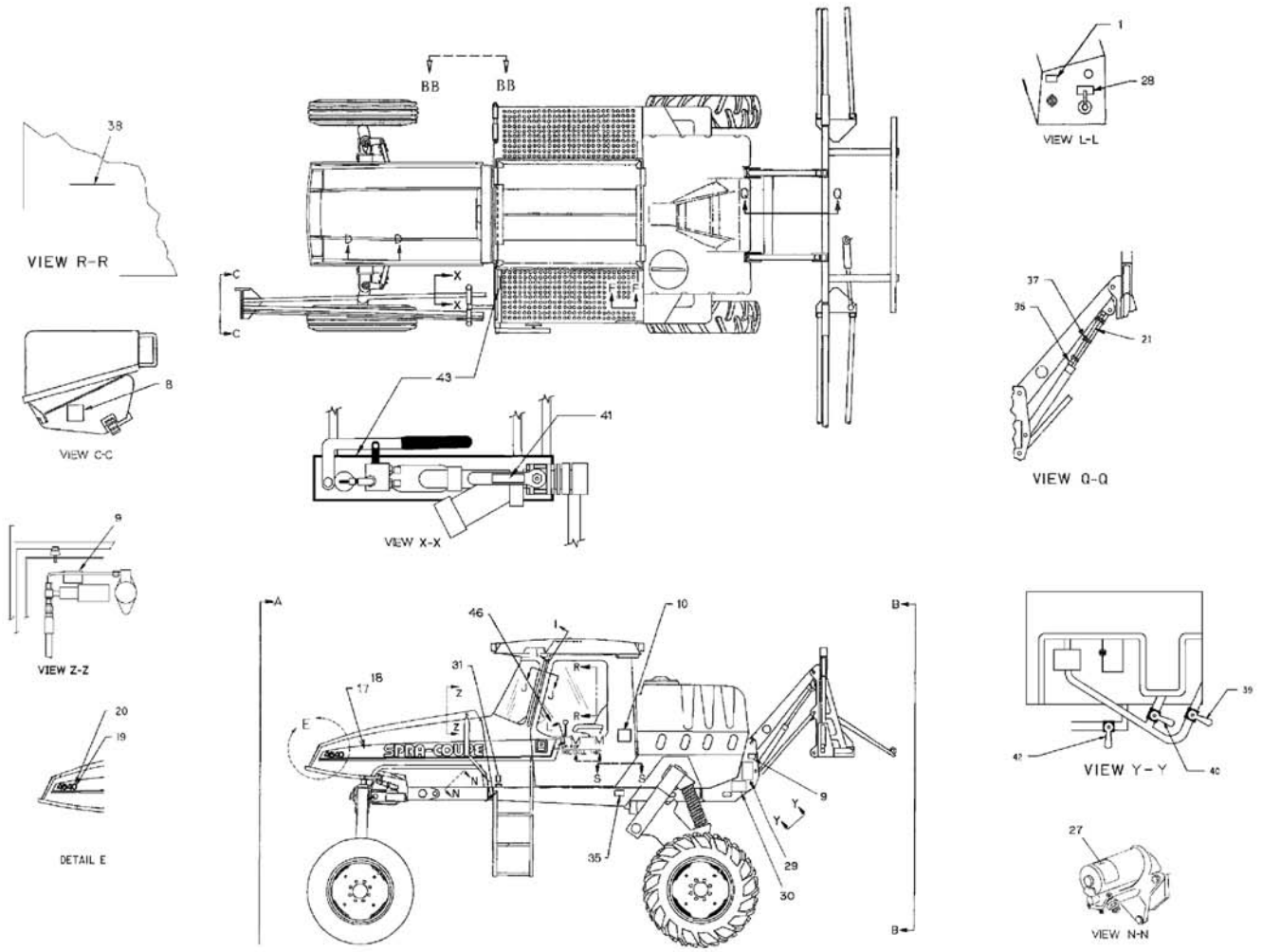
6803919 - F/A-FLOOD LIGHT,SC

ITEM	PART #	QTY	DESCRIPTION	COMMENTS
0	6505013	1	BAG-CLOTH	
0	6627208	-	INSTL-FLOOD LIGHT	
0	WR55311	4	NUT-LOCK HEX,M8 R/B 32254	
1	6562758	1	CONTAINER-BOX	
2	6663952	5	LIGHT-FLOOD,MED	
3	6627209	1	HARNESS-FLOOD LIGHT	
4	6627211	1	BAR-FRONT	
5	6627212	1	BAR-RH	
6	6627213	1	BAR-LH	
7	6803920	1	BAR-REAR	
8	6630585	12	CLIP-CONDUIT	
10	6585975	1	STRIP	
11	6662055	1	SWITCH-TOGGLE	
12	6597946	1	DECAL,FLOOD LIGHTS	
13	6661567	4	WASHER-NEOPRENE	
14	WR25752	4	SCREW-CAP HEX M8 X 16,	
15	WR32254	4	NUT-TOPLOCK,M8-1.25	
16	6629553	1	INSTR-MTG,FLOOD LIGHTS	
17	WR26371	2	SCREW-CAP HEX 5/16 NC X 4	
18	WR551015	8	WASHER 0.31 FL ZN REG TYPE-B	
19	WR55007	2	SCREW-CAP HEX 5/16 NC X	
20	WR550205	4	WASHER LK 0.31 ZN REG	
22	6664266	1	BEAM	
23	6664265	1	DOOR	
24	6664267	4	SCREW	
25	WR55352	4	NUT-TOPLOCK,5/16-18UNC G8	
26	WR550213	4	NUT 0.31-18NC HEX ZN REG	
			ITEM 9 CANNOT BE PURCHASED INDIVIDUALLY BUT IS INCLUDED IN THE BULK RUBBER STRIP.	
			ITEM 9: STRIP	
			ITEM 21 CANNOT BE PURCHASED INDIVIDUALLY BUT IS INCLUDED IN THE FLOOD LIGHT.	
			ITEM 21: HOUSING	



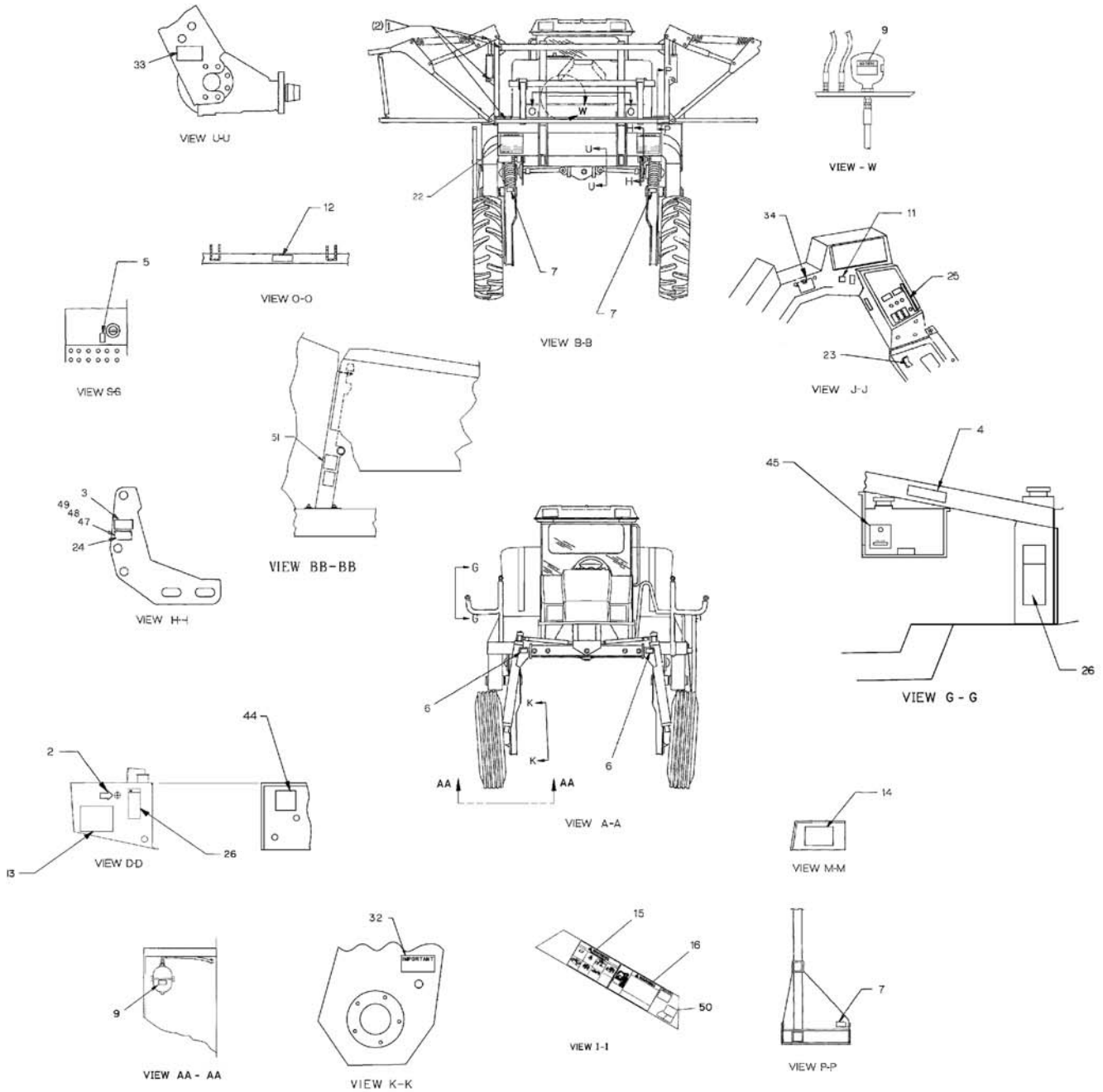
7001736 - OPT-BELLY PAN W/F,FACTORY

ITEM	PART #	QTY	DESCRIPTION	COMMENTS
0	6629573	1	INSTR-MTG,BELLY PAN WIDE	
0	6627437	1	BOX-PLYWOOD	
0	6504880	1	SACK-BURLAP	
1	6510020	3	PIN-SNAPPER	
2	6519178	6	BUMPER	
3	6626826	1	CHANNEL	
4	6801993	1	SHIELD-CENTER	
5	6800103	1	PLATE-BELLY PAN	
6	6626861	2	HINGE-RH	
7	6801085	1	SHIELD-MUFFLER	
8	6626869	2	HINGE	
9	6626921	3	EAR-LATCH	
10	6627414	1	HANDLE	
11	6627458	1	BRACKET-LATCH	
12	6801063	1	SHIELD-CROP	
13	6626860	3	ANGLE	
14	6664825	1	LATCH-DRAW,OVER CNTR	
15	WR34508	2	SCREW-CAP HEX M6 X 1.0 X	
16	WR55171	2	BOLT-CARRIAGE,M8 X 16,	
17	WR55172	2	BOLT-CARRIAGE,M8 X 20,	
18	WR55214	32	SCREW-HEX FLG,M10X1.5X20 CL8.8	
19	WR55310	2	NUT-LOCK HEX,M6 X 1.0,	
20	WR32254	2	NUT-TOPLOCK,M8-1.25	
21	6801069	1	SCREEN-FAN	
22	WR55178	10	WASHER-FLAT STD,#8	
23	6630207	10	RIVET-POP	
24	WR55301	4	NUT-FLANGE,M10 X 1.5,PREV	
25	WR55205	8	SCREW-HEX FLG,M8X1.25X16 CL8.8	
26	WR55206	7	SCREW-HEX FLG,M8X1.25X20 CL8.8	
27	WR55280	17	NUT-FLANGE,M8 X 1.25	
28	WR55281	30	NUT-FLANGE,M10 X 1.5	
29	WR55410	2	NUT-FLANGE,M8 X 1.25 CL8,	
30	WR55208	2	SCREW-HEX FLG,M8X1.25X30 CL8.8	
31	WR55173	5	BOLT-CARRIAGE,M10 X 25,	
32	6597860	1	BRACE-LH	
33	6597861	1	BRACE-RH	
34	6597868	1	SHIELD-FRONT	
35	6801994	1	SHIELD-FRONT	
36	6627470	1	SUPPORT-SHIELD	
37	6626964	1	SEAL-EDGE	
38	6626862	1	HINGE	
39	6660569	2	STRAP-RUBBER	
40	WR55191	2	HEX HEAD,THREAD ROLLING SCREW	
41	WR55174	2	BOLT-CARRIAGE,M10 X 30,	
42	WR55076	3	WASHER-PLAIN,12MM ID,LC,	



6802168 - FINAL ASSY GROUP-4640WF

ITEM	PART #	QTY	DESCRIPTION	COMMENTS
0	WR37156	1	DECAL-WARNING,HAZARDOUS	
0	WR37158	2	DECAL-WARNING,CRUSHING,	
0	WR37159	1	DECAL-DANGER,BY-PASS,	
0	WR37164	4	DECAL-WARNING,HIGH	
0	WR37166	1	DECAL-WARNING,FALL OFF,	
0	WR37255	1	DECAL-BRAKE PRESSURE	
0	WR37257	1	DECAL-WARNING,CHEMICAL,	
0	WR524510	-	FLUID-WINDSHIELD WASHER [BULK: 0.25 GL]	
0	WR55998	1	DECAL-WARNING,PARK BRAKE	
0	WR55999	1	DECAL-WARNING,TRANS,PARK	
0	WR50955	1	DECAL-WARNING,BATTERY	
0	WR55537	1	DECAL-PATENT,SPRA COUPE	
0	WR55545	1	DECAL-COOLANT,PG	
0	WR55547	1	DECAL-WARNING,MULTI	
0	6504880	1	SACK-BURLAP	
0	6628550	1	DECAL-FUEL FILTER	
0	6802169	-	INSTL-FINAL ASSY	
0	71379132	2	DECAL-WARNING,BELT,FAN,	
0	71389158	1	DECAL-LABEL-EXIT	
0	72528122	1	DECAL-WARNING,HOT SURFACE	
0	6629590	1	PACKAGE-OWNERS,4000,SC	
0	WR37369	4	TACK-CARBON ST- 31 SERIES	
0	WR523964	-	OIL-HYD,VISCOSITY IMPROVED [BULK: 6.55 GL]	
0	WR511153	-	FUEL,DIESEL [BULK: 6 GA]	
0	5017592M1	1	MANUFACTURER'S PLATE	
0	6662059	-	OIL-SYNTHETIC,GEAR BULK [BULK: 3 GA]	
0	6666540	-	ANTI FREEZE [BULK: 5.25 GL]	
0	6671622	-	OIL-ATF [BULK: 3 GL]	
0	WR55540	1	DECAL-SPRA COUPE,RH	
0	WR55541	1	DECAL-SPRA COUPE,LH	
0	WR512125	-	LUBRICANT GEAR 80W/90 [BULK: 0.75 GA]	
0	WR38198	1	DECAL-DANGER,CHEMICAL	
0	WR129771	2.25	OIL-ENGINE,SAE 10W-30	
1	6529638	1	DECAL-ENGINE,IDLE DOWN	
2	6802470	1	DECAL-FILL,HYD OIL	
5	6589739	1	DECAL-DIESEL (ENG)	
6	6612233	2	REFLECTOR-AMBER	
7	6612234	4	REFLECTOR-RED	
8	6620015	2	SHEETING,REFLECTIVE-AMBER	
13	6803310	1	DECAL-SERVICE	
14	6804059	1	DECAL-FUSE	
19	6802623	2	DECAL-4640	
21	6627483	1	SUPPORT-BOOM	
23	6802956	1	DECAL-OVERDRIVE	
24	6630207	4	RIVET-POP	
25	6626686	1	DECAL-THROTTLE	
28	6626817	1	DECAL-TURN SIGNAL	
29	6626787	1	DECAL-LOCK,BOOM	
31	6626908	1	DECAL-WATER	
32	6802477	2	DECAL-CHAINCASE OIL	
33	6627019	1	DECAL-SYNTHETIC OIL	
35	6627020	1	DECAL-SPIGOT	
36	6627484	2	RUBBER-STRIP	
37	WR562496	3	TIE CABLE 15.0 .18-4.00 BLACK	
38	6804165	1	DECAL-STATIC	
39	6597954	1	DECAL-UP AGIT (ENG)	
40	6597955	1	DECAL-LOW AGIT	
41	6597956	1	DECAL-TANK FILL (ENG)	
42	6597957	1	DECAL-MAIN LINE (ENG)	
43	6597958	1	DECAL-BOOM,MANUAL (ENG)	
44	WR55578	1	DECAL-FILTERS,SPRA COUPE	
45	6568971	1	DECAL-COOLANT (ENG)	
46	6802082	1	DECAL-WASHING	
50	6801418	1	DECAL-HAND THROTTLE	
51	6804111	1	DECAL-TRANS FILL	



6802168 - FINAL ASSY GROUP-4640WF

ITEM	PART #	QTY	DESCRIPTION	COMMENTS
0	WR37156	1	DECAL-WARNING,HAZARDOUS	
0	WR37158	2	DECAL-WARNING,CRUSHING,	
0	WR37159	1	DECAL-DANGER,BY-PASS,	
0	WR37164	4	DECAL-WARNING,HIGH	
0	WR37166	1	DECAL-WARNING,FALL OFF,	
0	WR37255	1	DECAL-BRAKE PRESSURE	
0	WR37257	1	DECAL-WARNING,CHEMICAL,	
0	WR37369	4	TACK-CARBON ST- 31 SERIES	
0	WR38198	1	DECAL-DANGER,CHEMICAL	
0	72528122	1	DECAL-WARNING,HOT SURFACE	
0	WR55998	1	DECAL-WARNING,PARK BRAKE	
0	WR55999	1	DECAL-WARNING,TRANS,PARK	
0	WR129771	2.25	OIL-ENGINE,SAE 10W-30	
0	5017592M1	1	MANUFACTURER'S PLATE	
0	WR50955	1	DECAL-WARNING,BATTERY	
0	WR511153	-	FUEL,DIESEL [BULK: 6 GA]	
0	WR512125	-	LUBRICANT GEAR 80W/90 [BULK: 0.75 GA]	
0	WR523964	-	OIL-HYD,VISCOSITY IMPROVED [BULK: 6.55 GL]	
0	WR524510	-	FLUID-WINDSHIELD WASHER [BULK: 0.25 GL]	
0	WR55537	1	DECAL-PATENT,SPRA COUPE	
0	WR55540	1	DECAL-SPRA COUPE,RH	
0	WR55541	1	DECAL-SPRA COUPE,LH	
0	WR55545	1	DECAL-COOLANT,PG	
0	WR55547	1	DECAL-WARNING,MULTI	
0	71389158	1	DECAL-LABEL-EXIT	
0	6504880	1	SACK-BURLAP	
0	71379132	2	DECAL-WARNING,BELT,FAN,	
0	6802169	-	INSTL-FINAL ASSY	
0	6671622	-	OIL-ATF [BULK: 3 GL]	
0	6666540	-	ANTI FREEZE [BULK: 5.25 GL]	
0	6662059	-	OIL-SYNTHETIC,GEAR BULK [BULK: 3 GA]	
0	6629590	1	PACKAGE-OWNERS,4000,SC	
0	6628550	1	DECAL-FUEL FILTER	
1	6529638	1	DECAL-ENGINE,IDLE DOWN	
2	6802470	1	DECAL-FILL,HYD OIL	
5	6589739	1	DECAL-DIESEL (ENG)	
6	6612233	2	REFLECTOR-AMBER	
7	6612234	4	REFLECTOR-RED	
8	6620015	2	SHEETING,REFLECTIVE-AMBER	
13	6803310	1	DECAL-SERVICE	
14	6804059	1	DECAL-FUSE	
19	6802623	2	DECAL-4640	
21	6627483	1	SUPPORT-BOOM	
23	6802956	1	DECAL-OVERDRIVE	
24	6630207	4	RIVET-POP	
25	6626686	1	DECAL-THROTTLE	
28	6626817	1	DECAL-TURN SIGNAL	
29	6626787	1	DECAL-LOCK,BOOM	
31	6626908	1	DECAL-WATER	
32	6802477	2	DECAL-CHAINCASE OIL	
33	6627019	1	DECAL-SYNTHETIC OIL	
35	6627020	1	DECAL-SPIGOT	
36	6627484	2	RUBBER-STRIP	
37	WR562496	3	TIE CABLE 15.0 .18-4.00 BLACK	
38	6804165	1	DECAL-STATIC	
39	6597954	1	DECAL-UP AGIT (ENG)	
40	6597955	1	DECAL-LOW AGIT	
41	6597956	1	DECAL-TANK FILL (ENG)	
42	6597957	1	DECAL-MAIN LINE (ENG)	
43	6597958	1	DECAL-BOOM,MANUAL (ENG)	
44	WR55578	1	DECAL-FILTERS,SPRA COUPE	
45	6568971	1	DECAL-COOLANT (ENG)	
46	6802082	1	DECAL-WASHING	
50	6801418	1	DECAL-HAND THROTTLE	
51	6804111	1	DECAL-TRANS FILL	

NUMERIC INDEX

PART NUMBER	PAGE	PART NUMBER	PAGE	PART NUMBER	PAGE
	2-7		6-49	3637051M1	6-32
	2-8		6-51	3637051M1	6-40
	2-9		7-2	3637053M1	6-29
	2-17		8-14	3637053M1	6-36
	2-18		8-16	3637063M1	6-6
	2-20		8-22	3637066M1	6-6
	3-4	1023368	4-17	3637067M1	6-6
	3-5	1077136M1	2-16	3637073M1	6-6
	3-6	1312337	3-1	3637075M91	6-7
	3-7	1447690M1	6-7	3637076M1	6-7
	3-8	1447691M1	6-2	3637078M1	6-8
	3-9	1447691M1	6-4	3637085M1	6-7
	3-10	1476108X1	6-3	3637085M1	6-17
	3-14	1476145X1	6-7	3637085M1	6-28
	3-15	1476188X1	6-28	3637090M1	6-7
	3-17	1476243X1	6-5	3637095M1	6-23
	5-5	1476263X1	6-11	3637095M1	6-26
	5-7	1476280X1	6-7	3637095M1	6-28
	5-9	1476282X1	6-3	3637096M1	6-8
	5-50	1476286M1	6-12	3637104M1	6-21
	5-57	1545623	4-5	3637139M1	6-21
	6-2	159196A	6-6	3637139M1	6-29
	6-3	1657089	2-6	3637139M1	6-32
	6-5	1657089	2-10	3637139M1	6-36
	6-6	2314K166	6-17	3637198M1	6-21
	6-8	2318A602	6-16	3637216M1	6-23
	6-9	2318A602	6-37	3637236M1	6-3
	6-10	2418M506	6-5	3637236M1	6-16
	6-11	2504534B	8-11	3637247M1	6-16
	6-12	2654407N1	6-21	3637247M1	6-32
	6-13	3490088B	6-32	3637791M91	6-2
	6-15	3490088B	6-46	3637791M91	6-9
	6-16	3490133B	6-37	3637792M91	6-9
	6-17	3490133B	6-42	3637793M91	6-9
	6-19	3490324B	6-12	3637794M91	6-9
	6-20	3490325B	6-12	3638329M1	6-16
	6-23	353430X1	6-6	3638382M1	6-16
	6-24	3604347M1	6-32	3638424M1	6-3
	6-25	3623H008	6-3	3638441M1	6-28
	6-26	3637005M91	6-3	3638499M1	6-6
	6-30	3637008M1	6-4	3638500M1	6-6
	6-31	3637008M1	6-7	3638532M1	6-21
	6-32	3637008M1	6-16	3638597M1	6-23
	6-33	3637008M1	6-32	3638640M1	6-18
	6-35	3637008M1	6-37	3638696M1	6-3
	6-37	3637013M1	6-17	3638696M1	6-32
	6-38	3637044M1	6-12	3638707M1	6-20
	6-40	3637044M1	6-16	3638805M1	6-21
	6-41	3637044M1	6-21	3638809M1	6-29
	6-42	3637044M1	6-23	3640406M1	6-16
	6-44	3637044M1	6-32	3640785M1	6-35
	6-45	3637044M1	6-34	3641097M1	6-17
	6-46	3637048M1	6-21	3641405M1	6-32
	6-47	3637048M1	6-23	3641737M1	6-8
	6-48	3637051M1	6-28	3641739M1	6-7

NUMERIC INDEX

PART NUMBER	PAGE	PART NUMBER	PAGE	PART NUMBER	PAGE
3641755M1	6-29	4222824M91	6-6	4224013M91	6-7
3641863M1	6-16	4222829M1	6-7	4224017M1	6-20
3641889M1	6-17	4222830M1	6-7	4224185M1	6-30
3681P009	6-7	4222833M1	6-12	4224185M1	6-32
3686T006	6-3	4222842M1	6-23	4224185M1	6-49
3687W008	6-20	4222844M1	6-49	4224289M1	6-42
3687W008	6-21	4222846M91	6-23	4224316M1	6-5
3725347B	6-14	4222848M1	6-26	4224336M1	6-6
3727375B	6-6	4222848M1	6-49	4224385M91	6-3
3727375B	6-46	4222849M1	6-23	4224451M91	6-1
3727375B	6-49	4222851M1	6-49	4224452M91	6-19
3739149	2-6	4222854M1	6-32	4224454M1	6-12
3739149	2-10	4222859M1	6-37	4224480M1	6-12
375751X1	6-37	4222860M1	6-37	4224492M1	6-35
376017X1	6-16	4222864M91	6-1	4224496M1	6-12
376178X1	6-5	4222876M1	6-32	4224501M1	6-49
376178X1	6-44	4222881M1	6-32	4224519M1	6-31
376523X1	6-37	4222884M1	6-32	4224540M1	6-3
376525X1	6-6	4222885M1	6-32	4224543M1	6-6
41K000004B	6-3	4222894M1	6-5	4224553M1	6-6
41K000004B	6-45	4222895M1	6-5	4224555M1	6-3
4222017M1	6-3	4222897M1	6-5	4225096M91	6-1
4222043M1	6-3	4223102M1	6-16	422544M1	6-6
4222069M1	6-6	4223102M1	6-23	5017592M1	9-1
4222128M1	6-3	422333M1	6-49	5208547B	2-17
4222129M1	6-2	4223429M1	6-1	58F000002B	6-13
4222129M1	6-3	4223442M1	6-5	6504880	8-17
4222131M1	6-10	4223442M1	6-49	6504880	8-18
4222131M1	6-11	4223485M1	6-19	6504880	8-20
4222132M1	6-10	4223522M91	6-2	6504880	8-23
4222134M91	6-2	4223523M91	6-2	6504880	9-1
4222134M91	6-9	4223552M91	6-49	6505013	4-18
4222135M1	6-9	4223564M1	6-32	6505013	5-23
4222136M91	6-2	4223581M1	6-5	6505013	8-22
4222136M91	6-9	4223587M1	6-4	6505054	5-23
4222140M1	6-5	4223642M1	6-21	6505054	5-37
4222141M1	6-5	4223727M1	6-32	6505054	5-39
4222155M1	6-49	4223841M1	6-26	6507096	5-23
4222156M1	6-6	4223843M1	6-26	6507096	5-24
4222176M1	6-29	4223883M1	6-32	6507096	5-25
4222194M1	6-12	4223933M1	6-6	6507096	5-28
4222220M1	6-49	4223936M1	6-31	6507096	5-29
4222282M91	6-8	4223939M91	6-9	6507096	5-37
4222290M1	6-31	4223958M1	6-18	6507096	5-38
4222300M91	6-15	4223979M1	6-33	6507096	5-39
4222433M1	6-48	4223980M1	6-33	6507096	5-40
4222439M1	6-3	4223981M1	6-33	6507096	5-41
4222439M1	6-5	4223982M91	6-33	6510020	2-3
4222485M1	6-11	4223983M91	6-33	6510020	8-20
4222541M1	6-38	4223984M1	6-33	6510020	8-23
4222552M1	6-3	4223985M1	6-3	6511103	5-1
4222552M1	6-5	4223987M1	6-5	6511103	5-31
4222749M1	6-32	4223987M1	6-33	6511103	5-34
4222821M1	6-11	4223993M1	6-31	6511249	5-45
4222823M91	6-1	4224000M1	6-7	6511249	5-46

NUMERIC INDEX

PART NUMBER	PAGE	PART NUMBER	PAGE	PART NUMBER	PAGE
6511249	5-47	6538287	5-41	6595786	5-31
6511249	5-48	6539697	7-1	6595786	5-34
6511249	5-49	6540410	6-50	6595786	5-42
6511249	5-50	6553411	4-14	6595825	5-31
6511249	5-53	6553411	4-15	6595825	5-34
6511330	1-3	6553411	5-1	6595862	5-31
6511331	1-3	6553412	4-13	6595862	5-34
6512905	5-8	6553412	4-15	6595862	5-42
6512954	2-6	6555350	4-17	6595960	5-23
6512954	2-11	6557904	7-1	6596121	5-1
6513441	1-3	6562126	2-19	6596133	4-17
6514958	6-8	6562619	3-1	6596443	4-15
6514963	6-5	6562619	3-8	6596456	4-5
6514984	6-27	6562758	8-22	6596494	7-1
6515541	3-1	6564669	1-3	6596508	5-31
6515575	4-13	6565433	2-6	6596508	5-34
6515575	4-15	6565947	2-4	6596509	5-31
6515695	6-9	6567170	4-15	6596509	5-34
6517924	7-1	6568971	9-1	6596526	4-5
6519178	2-19	6569461	2-4	6596527	4-5
6519178	8-20	6577696	2-6	6596610	5-23
6519178	8-23	6577696	3-1	6596611	5-23
6519752	5-14	6577696	3-12	6596865	5-23
6519752	5-23	6577696	3-16	6596866	5-23
6519752	5-36	6577696	5-21	6596966	4-5
6519925	1-3	6577697	3-1	6596967	4-5
6519926	1-3	6577754	1-2	6596970	4-5
6529638	9-1	6577754	4-5	6597025	3-8
6530360	2-4	6578209	3-1	6597026	3-8
6530360	5-14	6578870	3-1	6597188	5-23
6530360	5-23	6578870	3-12	6597189	5-23
6530360	5-36	6578870	5-21	6597190	5-23
6531180	8-18	6579858	7-1	6597190	5-29
6533975	3-1	6584225	5-23	6597190	5-40
6533975	5-14	6584225	5-25	6597223	8-18
6533975	5-23	6584225	5-29	6597317	4-17
6533975	5-36	6584225	5-38	6597481	4-3
6533975	7-1	6584225	5-40	6597526	7-1
6534762	4-15	6585972	4-15	6597550	4-5
6535422	3-1	6585975	8-22	6597553	4-5
6535422	3-12	6586868	2-19	6597604	4-5
6535422	5-21	6587032	3-12	6597614	4-3
6536129	3-1	6587032	5-21	6597616	7-1
6537283	3-12	6588293	1-2	6597661	4-16
6537283	3-16	6589193	3-1	6597666	4-5
6537283	5-21	6589675	4-7	6597735	5-1
6537416	1-2	6589675	4-17	6597781	5-16
6538286	5-32	6589739	9-1	6597781	5-17
6538287	5-14	6593359	2-6	6597791	3-1
6538287	5-23	6593359	2-10	6597793	2-1
6538287	5-25	6595112	4-17	6597804	2-14
6538287	5-29	6595116	4-17	6597860	8-20
6538287	5-36	6595398	1-3	6597860	8-23
6538287	5-38	6595399	1-4	6597861	8-20
6538287	5-40	6595684	5-1	6597861	8-23

NUMERIC INDEX

PART NUMBER	PAGE	PART NUMBER	PAGE	PART NUMBER	PAGE
6597865	2-14	6613050	5-41	6618197	3-1
6597866	2-14	6616209	5-7	6618227	5-14
6597868	8-20	6616767	5-7	6618227	5-21
6597868	8-23	6617316	2-4	6618341	5-2
6597879	3-1	6617401	7-1	6618341	5-4
6597894	3-1	6617472	2-4	6618367	5-56
6597894	4-15	6617492	5-31	6618368	5-56
6597904	5-1	6617492	5-34	6618369	5-56
6597919	4-5	6617492	5-42	6618394	2-19
6597932	7-1	6617494	5-31	6618395	2-6
6597933	7-1	6617494	5-34	6618395	2-11
6597934	7-1	6617495	5-31	6618452	4-10
6597935	7-1	6617495	5-34	6618540	1-3
6597936	7-1	6617496	5-31	6618542	1-3
6597939	7-1	6617496	5-34	6618562	1-3
6597940	7-1	6617498	5-31	6618620	2-4
6597941	7-1	6617498	5-34	6618698	3-11
6597943	7-1	6617498	5-42	6618712	4-9
6597944	7-1	6617523	5-6	6618833	4-1
6597945	7-1	6617524	2-6	6618833	5-23
6597946	8-22	6617524	2-11	6618835	4-1
6597947	7-1	6617533	8-18	6618835	5-23
6597954	9-1	6617534	8-18	6618836	4-1
6597955	9-1	6617579	5-23	6618836	5-14
6597956	9-1	6617579	5-25	6618836	5-23
6597957	9-1	6617579	5-29	6618836	5-32
6597958	9-1	6617579	5-38	6618836	5-36
6597990	7-1	6617579	5-40	6618840	5-14
6597998	4-16	6617579	5-41	6618840	5-23
6598445	2-17	6617579	8-18	6618840	5-36
6598452	2-17	6617582	5-23	6618841	5-14
6598455	2-17	6617582	5-24	6618841	5-23
6598849	2-17	6617582	5-28	6618841	5-36
6598908	4-14	6617582	5-37	6618845	2-4
6598908	5-1	6617582	5-39	6618850	2-4
6598937	2-10	6617582	5-41	6618862	2-4
6610182	8-14	6617585	5-14	6618959	7-1
6610264	8-17	6617585	5-23	6618969	7-1
6610265	8-16	6617585	5-36	6619981	8-16
6610341	8-16	6617676	8-18	6620015	9-1
6610342	8-16	6617765	5-14	6620133	5-14
6610348	8-16	6617765	5-23	6620133	5-23
6610510	5-47	6617765	5-36	6620133	5-36
6610510	5-50	6617780	5-14	6620133	8-2
6610653	5-7	6617780	5-23	6620327	2-6
6612233	9-1	6617780	5-36	6620327	2-11
6612234	9-1	6617897	1-2	6620331	2-6
6612940	8-10	6618175	4-18	6620331	2-11
6613050	5-23	6618175	5-23	6620417	5-25
6613050	5-24	6618175	5-41	6620417	5-29
6613050	5-26	6618187	4-18	6620417	5-31
6613050	5-27	6618187	5-23	6620417	5-38
6613050	5-28	6618187	5-41	6620417	5-40
6613050	5-37	6618193	5-21	6620467	5-8
6613050	5-39	6618196	3-1	6620675	5-7

NUMERIC INDEX

PART NUMBER	PAGE	PART NUMBER	PAGE	PART NUMBER	PAGE
6623263	5-14	6626399	5-36	6626767	4-17
6623263	5-23	6626401	5-23	6626768	4-17
6623263	5-36	6626401	5-25	6626769	4-17
6624680	5-14	6626401	5-29	6626770	4-17
6624680	5-23	6626401	5-38	6626771	4-17
6624680	5-36	6626401	5-40	6626772	4-17
6624692	5-14	6626401	5-41	6626773	4-17
6624692	5-23	6626414	2-6	6626774	4-17
6624692	5-36	6626432	7-1	6626775	4-17
6624991	8-15	6626433	4-12	6626776	4-17
6625282	2-6	6626433	7-1	6626777	4-17
6625282	2-11	6626443	4-13	6626778	4-17
6625385	8-16	6626455	4-15	6626780	4-17
6626010	5-23	6626479	7-1	6626781	4-17
6626010	5-25	6626498	1-2	6626782	4-17
6626010	5-38	6626510	4-17	6626785	4-17
6626011	5-23	6626524	5-1	6626786	4-17
6626011	5-29	6626527	2-6	6626787	9-1
6626011	5-40	6626530	5-1	6626810	4-1
6626035	5-23	6626535	4-17	6626810	5-23
6626119	5-1	6626580	3-12	6626814	4-17
6626119	5-12	6626580	5-21	6626817	9-1
6626119	5-14	6626596	4-17	6626826	8-20
6626119	5-21	6626597	4-17	6626826	8-23
6626119	5-22	6626598	4-17	6626840	4-17
6626119	5-23	6626606	3-1	6626860	8-20
6626119	5-25	6626623	1-2	6626860	8-23
6626119	5-29	6626631	5-1	6626861	8-20
6626119	5-35	6626634	5-1	6626861	8-23
6626119	5-36	6626637	5-1	6626862	8-20
6626119	5-38	6626638	5-1	6626862	8-23
6626119	5-40	6626642	5-1	6626869	8-20
6626119	5-43	6626644	5-1	6626869	8-23
6626119	5-44	6626650	3-1	6626875	8-18
6626121	5-31	6626654	4-13	6626876	8-18
6626121	5-34	6626661	4-1	6626877	8-18
6626121	5-42	6626661	5-23	6626900	8-18
6626122	5-31	6626663	4-1	6626901	8-18
6626122	5-34	6626663	5-23	6626902	8-18
6626122	5-42	6626686	9-1	6626907	4-10
6626146	4-11	6626690	5-23	6626908	9-1
6626149	5-23	6626690	5-25	6626920	4-10
6626165	1-3	6626690	5-29	6626921	8-20
6626198	5-23	6626691	5-23	6626921	8-23
6626198	5-25	6626691	5-25	6626922	4-10
6626198	5-29	6626691	5-29	6626923	5-20
6626198	5-38	6626691	5-38	6626929	5-14
6626198	5-40	6626691	5-40	6626929	5-23
6626213	1-3	6626692	5-23	6626929	5-36
6626218	2-4	6626692	5-25	6626941	8-17
6626254	4-17	6626692	5-29	6626942	8-17
6626258	2-3	6626692	5-38	6626943	8-17
6626327	1-2	6626692	5-40	6626948	8-17
6626353	1-2	6626697	3-1	6626950	8-17
6626399	5-23	6626766	4-17	6626964	8-20

NUMERIC INDEX

PART NUMBER	PAGE	PART NUMBER	PAGE	PART NUMBER	PAGE
6626964	8-23	6627499	8-18	6630914	5-42
6626991	4-1	6627528	4-17	6630914	8-16
6626991	5-23	6627540	2-3	6630915	8-16
6627005	4-17	6627548	2-3	6631066	8-15
6627019	9-1	6627561	2-3	6631481	8-16
6627020	9-1	6627562	2-3	6631491	8-16
6627046	5-20	6627596	2-19	6631580	5-5
6627047	5-45	6627634	3-1	6631647	5-4
6627047	5-46	6627665	5-23	6631675	8-11
6627047	5-47	6627801	6-50	6631677	8-2
6627047	5-48	6627859	1-2	6631678	8-2
6627047	5-49	6627886	4-17	6631680	8-2
6627047	5-50	6627912	4-13	6631683	8-11
6627047	5-53	6627918	4-3	6631684	8-11
6627054	2-6	6627988	4-17	6632180	7-1
6627054	2-11	6628003	2-6	6632184	5-4
6627208	8-22	6628003	2-11	6632184	5-12
6627209	8-22	6628095	6-50	6632184	5-22
6627211	8-22	6628141	4-15	6632184	5-35
6627212	8-22	6628142	4-15	6632184	5-44
6627213	8-22	6628146	4-15	6632215	2-19
6627252	8-18	6628147	4-15	6632417	6-51
6627253	8-18	6628163	3-1	6632418	6-51
6627254	8-18	6628199	4-17	6632419	6-51
6627255	8-18	6628203	6-50	6632420	6-51
6627256	8-18	6628352	4-17	6632421	6-51
6627257	8-18	6628372	7-1	6632428	6-51
6627258	8-18	6628404	7-1	6632429	6-51
6627262	8-18	6628425	7-1	6632430	6-51
6627278	8-18	6628540	4-5	6632432	6-51
6627279	8-18	6628550	9-1	6632433	6-51
6627280	8-18	6628922	4-5	6632434	6-51
6627281	8-18	6629513	4-9	6632436	6-51
6627282	8-18	6629550	8-17	6632441	6-51
6627290	8-17	6629553	8-22	6632468	3-11
6627316	1-3	6629573	8-20	6632476	8-11
6627326	5-23	6629573	8-23	6632477	8-11
6627334	5-23	6629575	2-20	6632478	8-11
6627345	8-19	6629590	9-1	6632486	8-11
6627378	8-18	6630034	4-10	6632492	8-2
6627414	8-20	6630140	4-17	6632500	8-11
6627414	8-23	6630140	7-1	6633096	2-17
6627437	8-20	6630207	8-20	6633446	5-24
6627437	8-23	6630207	8-23	6633446	5-28
6627449	5-23	6630207	9-1	6633446	5-37
6627452	5-23	6630367	2-6	6633446	5-39
6627453	5-23	6630399	2-19	6633446	5-41
6627458	8-20	6630575	2-19	6633635	8-11
6627458	8-23	6630585	8-22	6633636	8-11
6627461	2-3	6630820	4-6	6633637	5-16
6627470	8-20	6630910	5-8	6633637	5-17
6627470	8-23	6630910	8-15	6633637	5-58
6627483	9-1	6630910	8-16	6633637	5-59
6627484	9-1	6630914	5-31	6634143	2-17
6627498	8-18	6630914	5-34	6634145	2-17

NUMERIC INDEX

PART NUMBER	PAGE	PART NUMBER	PAGE	PART NUMBER	PAGE
6634581	2-17	6649642	5-3	6655781	4-3
6634583	2-17	6649644	5-3	6655839	5-57
6634586	2-17	6649645	5-3	6655840	5-57
6634589	2-17	6649647	5-3	6655843	5-57
6634761	2-4	6649648	5-3	6655844	5-57
6641062	4-12	6649649	5-3	6655845	5-57
6641176	5-45	6649650	5-3	6655846	5-57
6641176	5-46	6649651	5-3	6655847	5-57
6641176	5-47	6649652	5-3	6656009	4-1
6641176	5-48	6649706	2-3	6656009	5-23
6641176	5-49	6651305	5-5	6656067	3-8
6641176	5-50	6652405	4-9	6656069	3-8
6641176	5-53	6652521	2-6	6656070	3-8
6644960	7-1	6652521	3-1	6656492	1-3
6645812	2-6	6652521	3-12	6656492	2-4
6645812	2-10	6652521	3-16	6657290	5-3
6646576	4-13	6652521	5-21	6657291	5-3
6646598	4-5	6652943	2-6	6657293	5-3
6647887	5-30	6652943	2-10	6657294	5-3
6647887	7-1	6653332	7-1	6657731	8-18
6648348	5-45	6653401	4-9	6658256	1-3
6648348	5-46	6653402	4-9	6658264	2-17
6648348	5-47	6653403	4-9	6658265	2-17
6648348	5-48	6653404	4-9	6658413	2-4
6648348	5-49	6653407	4-9	6658506	7-1
6648348	5-50	6653408	4-9	6658533	2-21
6648348	5-53	6653410	4-9	6658752	2-4
6648354	4-17	6653412	4-9	6658958	4-14
6648413	4-17	6653414	4-9	6658967	4-6
6648414	4-17	6653415	4-9	6659546	8-11
6648417	4-17	6653416	4-9	6659547	8-11
6648421	4-17	6653417	4-9	6659548	8-11
6648422	4-17	6653418	4-9	6659549	8-11
6648451	5-1	6653419	4-9	6659550	8-11
6648475	4-6	6653420	4-9	6659551	8-11
6648975	2-17	6653763	4-15	6659609	5-16
6648976	2-17	6654147	4-17	6659609	5-17
6649040	4-5	6654154	4-17	6659610	8-15
6649040	4-17	6654155	7-2	6659821	4-9
6649446	6-16	6654156	7-2	6659822	4-9
6649508	5-1	6654163	7-2	6659823	4-9
6649520	5-16	6654785	4-17	6659824	4-9
6649520	5-17	6654792	4-12	6659829	4-9
6649520	5-58	6655399	4-5	6659830	4-9
6649520	5-59	6655593	8-11	6659831	4-9
6649521	5-16	6655594	8-11	6659832	4-9
6649521	5-17	6655595	8-11	6659833	4-9
6649533	5-6	6655596	8-11	6659834	4-9
6649534	5-6	6655597	8-11	6659835	4-9
6649633	5-5	6655598	8-11	6659910	5-14
6649634	5-5	6655599	8-11	6659910	5-23
6649635	5-5	6655600	8-11	6659910	5-25
6649638	5-3	6655601	8-11	6659910	5-29
6649639	5-3	6655602	8-11	6659910	5-36
6649641	5-3	6655603	8-11	6659910	5-38

NUMERIC INDEX

PART NUMBER	PAGE	PART NUMBER	PAGE	PART NUMBER	PAGE
6659910	5-40	6661252	7-1	6661845	4-8
6659910	8-18	6661253	5-30	6661846	4-8
6659911	7-1	6661253	7-1	6661847	4-8
6660071	5-17	6661254	7-1	6661848	4-8
6660071	5-59	6661371	7-1	6661849	4-8
6660072	5-16	6661415	5-31	6661850	4-8
6660072	5-58	6661515	5-1	6661851	4-8
6660204	7-1	6661520	4-9	6661852	4-8
6660342	4-9	6661521	4-9	6661853	4-8
6660351	5-21	6661523	4-9	6661854	4-8
6660351	5-23	6661524	4-9	6661855	4-8
6660351	5-25	6661525	4-9	6661856	4-8
6660351	5-29	6661527	4-9	6661857	4-8
6660351	5-38	6661528	4-9	6661858	4-8
6660351	5-40	6661532	4-9	6661859	4-8
6660378	8-2	6661533	4-9	6661860	4-8
6660391	8-2	6661534	4-9	6661861	4-8
6660393	8-2	6661535	4-9	6661862	4-8
6660394	8-2	6661537	4-9	6661863	4-8
6660396	8-6	6661538	4-9	6661864	4-8
6660397	8-6	6661539	4-9	6661865	4-8
6660398	8-2	6661540	4-9	6661866	4-8
6660403	8-2	6661543	4-9	6661867	4-8
6660409	8-10	6661548	4-9	6661868	4-8
6660460	2-4	6661549	4-9	6661869	4-8
6660468	2-4	6661551	4-9	6661870	4-8
6660486	8-2	6661552	4-9	6661872	4-8
6660492	8-11	6661553	4-9	6661873	4-8
6660569	8-20	6661554	4-9	6661874	4-8
6660569	8-23	6661558	4-9	6661875	4-8
6660573	8-12	6661559	4-9	6661876	4-8
6660574	8-12	6661560	4-9	6661877	4-8
6660575	8-12	6661563	4-9	6661878	4-8
6660576	8-12	6661564	4-9	6661879	4-8
6660579	8-11	6661567	4-17	6661880	4-8
6660822	4-6	6661567	8-22	6661881	4-8
6660822	4-7	6661632	4-5	6661884	4-8
6660822	4-12	6661746	4-17	6661885	4-8
6660827	2-1	6661747	4-17	6661886	4-8
6660863	4-11	6661785	2-14	6661887	4-8
6660899	5-1	6661785	4-3	6661888	4-8
6660899	5-31	6661787	2-14	6661889	4-8
6660899	5-34	6661787	4-3	6661890	4-8
6660899	5-42	6661800	5-25	6661891	4-8
6660900	5-1	6661800	5-29	6661892	4-8
6660995	4-3	6661801	4-17	6661893	4-8
6661111	2-6	6661803	2-6	6661894	4-8
6661125	5-7	6661811	4-17	6661895	4-8
6661126	5-7	6661825	4-9	6661896	4-8
6661127	5-7	6661838	8-21	6661897	4-8
6661194	4-5	6661840	4-8	6661898	4-8
6661206	4-14	6661841	4-8	6661899	4-8
6661222	5-1	6661842	4-8	6661900	4-8
6661223	5-6	6661843	4-8	6661900	5-23
6661250	7-1	6661844	4-8	6661901	4-8

NUMERIC INDEX

PART NUMBER	PAGE	PART NUMBER	PAGE	PART NUMBER	PAGE
6661902	4-8	6661959	4-8	6662701	5-53
6661903	4-8	6661960	4-8	6662701	5-56
6661904	4-8	6661961	4-8	6662702	5-20
6661905	4-8	6661963	4-8	6662703	5-20
6661906	4-8	6661964	4-8	6662753	4-2
6661907	4-8	6661965	4-8	6662771	5-7
6661908	4-8	6661966	4-8	6662772	5-7
6661909	4-8	6661967	4-8	6662773	5-7
6661910	4-8	6661972	4-8	6662802	7-1
6661911	4-8	6661975	4-8	6662804	2-17
6661912	4-8	6661976	4-8	6662807	2-17
6661913	4-8	6661982	4-8	6662808	2-17
6661914	4-8	6661984	4-2	6662810	2-17
6661915	4-8	6661988	4-2	6662811	2-17
6661916	4-8	6662001	5-11	6662813	2-17
6661917	4-8	6662016	5-6	6662814	2-17
6661918	4-8	6662017	5-6	6662815	2-17
6661919	4-8	6662018	5-6	6662816	2-17
6661920	4-8	6662055	7-1	6662817	2-17
6661921	4-8	6662055	8-22	6662818	2-17
6661922	4-8	6662059	9-1	6662819	2-17
6661923	4-8	6662084	3-10	6662821	2-17
6661924	4-8	6662086	3-10	6662831	4-17
6661925	4-8	6662097	2-15	6662960	4-10
6661926	4-8	6662097	2-16	6662997	4-3
6661927	4-8	6662097	8-14	6663952	8-22
6661928	4-8	6662267	7-2	6663955	4-17
6661929	4-8	6662294	5-56	6664055	4-17
6661930	4-8	6662295	5-56	6664194	8-10
6661931	4-8	6662297	5-56	6664210	4-8
6661932	4-8	6662437	6-51	6664223	7-1
6661933	4-8	6662634	4-10	6664224	7-1
6661934	4-8	6662646	4-6	6664265	8-22
6661935	4-8	6662648	4-6	6664266	8-22
6661936	4-8	6662655	4-6	6664267	8-22
6661937	4-8	6662655	4-12	6664332	3-1
6661938	4-8	6662666	4-6	6664353	2-15
6661939	4-8	6662669	4-6	6664353	2-16
6661940	4-8	6662674	4-7	6664368	7-1
6661941	4-8	6662675	4-7	6664372	7-1
6661942	4-8	6662676	4-7	6664419	3-9
6661944	4-8	6662679	4-12	6664420	3-9
6661946	4-8	6662680	4-7	6664421	3-9
6661947	4-8	6662682	4-12	6664423	3-9
6661948	4-8	6662686	4-12	6664424	3-9
6661949	4-8	6662687	4-12	6664425	3-9
6661950	4-8	6662688	4-12	6664426	3-9
6661951	4-8	6662689	4-12	6664427	3-9
6661952	4-8	6662690	4-12	6664428	3-9
6661953	4-8	6662701	5-45	6664429	3-9
6661954	4-8	6662701	5-46	6664430	3-9
6661955	4-8	6662701	5-47	6664433	3-9
6661956	4-8	6662701	5-48	6664434	3-9
6661957	4-8	6662701	5-49	6664435	3-9
6661958	4-8	6662701	5-50	6664437	3-9

NUMERIC INDEX

PART NUMBER	PAGE	PART NUMBER	PAGE	PART NUMBER	PAGE
6664438	7-1	6666635	6-51	6668313	6-46
6664438	7-2	6666636	6-51	6668472	6-15
6664554	7-2	6666637	6-51	6668480	6-16
6664555	7-2	6666641	2-4	6668482	6-16
6664556	7-2	6666677	7-1	6668482	6-21
6664557	7-2	6666836	5-57	6668484	6-16
6664598	5-23	6666837	5-57	6668486	6-16
6664598	5-24	6666844	5-18	6668489	6-16
6664598	5-28	6666845	5-18	6668490	6-16
6664598	5-37	6666846	5-18	6668492	6-16
6664598	5-39	6666847	5-18	6668508	6-17
6664598	5-41	6666848	5-18	6668514	6-21
6664825	8-20	6666849	5-11	6668515	6-21
6664825	8-23	6666849	5-18	6668516	6-21
6664973	3-1	6667188	5-1	6668517	6-21
6665007	2-4	6667296	4-5	6668520	6-21
6665099	2-19	6667327	1-3	6668521	6-21
6665214	5-56	6667346	3-1	6668523	6-8
6665340	4-8	6667492	6-2	6668523	6-21
6665477	8-21	6667492	6-4	6668524	6-21
6665543	4-6	6667568	4-15	6668525	6-21
6665544	4-6	6667705	7-1	6668526	6-21
6665558	7-1	6667717	5-18	6668527	6-21
6665560	4-6	6667718	7-1	6668528	6-21
6665632	2-7	6667800	5-11	6668529	6-21
6665632	2-8	6667877	3-9	6668530	6-21
6665649	2-21	6667878	3-9	6668533	6-21
6665654	6-50	6667879	3-9	6668535	6-22
6665754	2-17	6667933	7-1	6668536	6-22
6665873	5-31	6668101	4-15	6668569	6-32
6665873	5-34	6668146	4-16	6668569	6-34
6665873	5-42	6668207	6-3	6668582	6-34
6665908	4-8	6668214	6-3	6668623	6-34
6665919	5-16	6668215	6-3	6668623	6-49
6665919	5-17	6668224	6-3	6668634	6-37
6666294	8-2	6668258	6-7	6668638	6-37
6666300	8-11	6668258	6-23	6668640	6-47
6666305	5-56	6668264	6-7	6668641	6-47
6666540	9-1	6668268	6-7	6668642	6-47
6666544	1-3	6668268	6-8	6668643	6-47
6666553	5-3	6668268	6-21	6668644	6-47
6666554	5-3	6668268	6-28	6668649	6-40
6666555	5-3	6668270	6-12	6668652	6-41
6666556	5-3	6668278	6-7	6668654	6-42
6666558	5-3	6668278	6-8	6668655	6-42
6666601	8-14	6668278	6-26	6668656	6-13
6666621	6-51	6668280	6-8	6668657	6-46
6666622	6-51	6668286	6-8	6668659	6-46
6666628	6-51	6668288	6-8	6668661	6-47
6666629	6-51	6668289	6-8	6668692	7-1
6666630	6-51	6668290	6-8	6668729	4-12
6666631	6-51	6668292	6-13	6668810	5-1
6666632	6-51	6668296	6-13	6668855	3-1
6666633	6-51	6668313	6-20	6668931	4-15
6666634	6-51	6668313	6-36	6668952	4-6

NUMERIC INDEX

PART NUMBER	PAGE	PART NUMBER	PAGE	PART NUMBER	PAGE
6668991	4-6	6670307	5-3	6670931	6-12
6668992	4-6	6670308	5-3	6670934	6-15
6668997	4-6	6670309	5-3	6670936	6-16
6668998	4-6	6670312	7-1	6670943	6-23
6669058	7-2	6670539	2-20	6670943	6-31
6669137	6-47	6670540	2-20	6670960	6-28
6669171	8-6	6670541	2-20	6670972	6-32
6669227	4-9	6670542	2-20	6670973	6-32
6669228	4-9	6670543	2-20	6670974	6-32
6669229	4-9	6670544	2-20	6670975	6-32
6669323	1-2	6670545	2-20	6670979	6-32
6669344	4-6	6670546	2-20	6670982	6-32
6669350	6-51	6670547	2-20	6670990	6-36
6669354	6-51	6670548	2-20	6670993	6-37
6669359	6-51	6670549	2-20	6670995	6-1
6669360	6-51	6670550	2-20	6670997	6-40
6669365	6-51	6670551	2-20	6671000	6-42
6669372	6-51	6670552	2-20	6671001	6-42
6669380	7-1	6670553	2-20	6671003	6-1
6669415	7-1	6670628	2-6	6671008	6-32
6669544	2-20	6670650	6-27	6671011	6-31
6669627	2-6	6670651	6-27	6671011	6-49
6669627	2-11	6670680	5-7	6671013	4-11
6669628	3-1	6670682	4-4	6671043	3-10
6669666	4-17	6670716	5-53	6671044	3-10
6669671	3-1	6670718	8-21	6671116	6-51
6669683	6-28	6670719	8-21	6671117	6-51
6669695	8-21	6670720	8-21	6671121	6-51
6669696	8-21	6670750	5-9	6671122	6-51
6669697	8-21	6670751	2-6	6671124	6-51
6669698	8-21	6670790	2-14	6671128	6-51
6669699	8-21	6670791	2-14	6671129	6-51
6669700	8-21	6670792	2-14	6671142	8-3
6669702	8-21	6670793	2-14	6671157	2-18
6669703	8-21	6670794	2-14	6671158	2-18
6669707	8-21	6670795	2-14	6671502	2-9
6669712	8-19	6670796	2-14	6671503	2-9
6669713	2-6	6670797	2-14	6671504	2-9
6669713	2-10	6670798	2-14	6671505	2-9
6669725	4-6	6670799	2-14	6671620	4-11
6669726	4-6	6670800	2-14	6671622	9-1
6669744	2-6	6670801	2-14	6671624	7-1
6669744	2-10	6670802	2-14	6671649	6-47
6670119	2-6	6670813	2-22	6671702	5-11
6670124	5-31	6670813	2-23	6671703	5-11
6670124	5-34	6670814	2-22	6671704	5-11
6670124	5-42	6670814	2-23	6671706	4-17
6670147	3-1	6670878	6-2	6671715	4-6
6670210	3-1	6670882	6-4	6671973	6-51
6670277	5-8	6670884	6-10	6672015	7-1
6670290	5-8	6670896	6-5	6672044	7-1
6670302	5-3	6670915	6-7	6672169	2-17
6670304	5-3	6670918	6-8	6672170	2-17
6670305	5-3	6670927	6-12	6672184	2-19
6670306	5-3	6670928	6-12	6672185	2-12

NUMERIC INDEX

PART NUMBER	PAGE	PART NUMBER	PAGE	PART NUMBER	PAGE
6672191	2-19	6672657	2-8	6705164	4-6
6672201	2-19	6672658	2-7	6706043	2-14
6672202	2-14	6672658	2-8	6706043	4-3
6672203	2-14	6672659	2-7	6709170	1-3
6672264	3-10	6672659	2-8	6715715	3-1
6672265	3-10	6672660	2-7	6800093	2-24
6672267	7-1	6672660	2-8	6800096	2-25
6672270	6-1	6672661	2-7	6800096	2-26
6672309	6-37	6672661	2-8	6800103	8-20
6672325	4-14	6672662	2-7	6800103	8-23
6672336	2-12	6672662	2-8	6800142	2-6
6672337	2-14	6672663	2-7	6800142	2-11
6672457	5-8	6672663	2-8	6800147	2-6
6672458	2-14	6672664	2-7	6800147	2-11
6672459	2-14	6672664	2-8	6800148	2-6
6672465	4-9	6672665	2-7	6800148	2-11
6672485	5-8	6672665	2-8	6800216	2-6
6672497	7-1	6672666	2-7	6800237	4-13
6672498	7-1	6672666	2-8	6800249	2-24
6672499	7-1	6672667	2-7	6800296	4-15
6672499	7-2	6672667	2-8	6800304	4-15
6672502	7-1	6672668	2-7	6800357	3-1
6672502	7-2	6672668	2-8	6800367	4-18
6672508	2-16	6672669	2-7	6800367	5-23
6672510	2-16	6672669	2-8	6800367	5-41
6672511	2-16	6672670	2-7	6800398	2-4
6672512	2-15	6672670	2-8	6800400	2-4
6672512	2-16	6672671	2-7	6800401	2-4
6672641	2-7	6672671	2-8	6800403	2-4
6672642	2-8	6672672	2-7	6800404	2-4
6672643	2-7	6672672	2-8	6800405	2-4
6672643	2-8	6672778	6-12	6800406	7-1
6672644	2-7	6672779	6-12	6800407	7-1
6672644	2-8	6672787	6-31	6800408	7-1
6672645	2-7	6672831	2-25	6800419	2-6
6672645	2-8	6672831	2-26	6800419	2-11
6672646	2-7	6672998	2-17	6800429	7-1
6672646	2-8	6673033	3-10	6800588	2-19
6672647	2-7	6673122	7-1	6800690	7-1
6672647	2-8	6673124	6-12	6800691	7-1
6672648	2-7	6673125	6-12	6800710	1-3
6672648	2-8	6673315	7-1	6800713	2-6
6672649	2-7	6673682	2-25	6800713	2-10
6672649	2-8	6673682	2-26	6800714	2-6
6672650	2-7	6700024	3-12	6800714	2-10
6672650	2-8	6700024	5-21	6800715	2-6
6672651	2-7	6700722	4-3	6800715	2-10
6672651	2-8	6700873	4-13	6800716	2-6
6672654	2-7	6702079	3-1	6800716	2-10
6672654	2-8	6702797	4-15	6800717	2-6
6672655	2-7	6703506	4-4	6800717	2-10
6672655	2-8	6703507	4-3	6800718	2-6
6672656	2-7	6704443	4-3	6800721	2-6
6672656	2-8	6704444	4-3	6800726	2-6
6672657	2-7	6704820	4-3	6800726	2-11

NUMERIC INDEX

PART NUMBER	PAGE	PART NUMBER	PAGE	PART NUMBER	PAGE
6800749	1-2	6801638	4-15	6802250	5-14
6800795	4-3	6801663	4-17	6802250	5-23
6800800	4-17	6801683	3-1	6802250	5-36
6800927	3-1	6801728	2-6	6802302	2-6
6800928	3-1	6801732	7-1	6802308	4-15
6800930	3-1	6801738	1-3	6802348	4-15
6800965	5-1	6801744	3-1	6802350	4-16
6800968	5-1	6801751	3-1	6802352	5-31
6800987	4-17	6801752	3-1	6802422	4-15
6800988	4-17	6801772	5-9	6802428	5-1
6800989	4-17	6801779	4-17	6802429	5-1
6800991	4-17	6801784	2-4	6802433	5-1
6801006	2-6	6801785	2-4	6802434	5-1
6801006	2-11	6801786	3-1	6802435	5-1
6801007	3-1	6801799	1-1	6802436	5-1
6801008	3-1	6801802	1-1	6802444	5-23
6801009	3-1	6801804	5-1	6802445	7-1
6801010	3-1	6801806	4-13	6802446	5-30
6801011	2-6	6801808	3-1	6802447	5-30
6801026	8-18	6801810	1-2	6802454	4-17
6801034	4-17	6801821	5-1	6802455	4-5
6801063	8-20	6801822	5-1	6802456	4-5
6801063	8-23	6801823	1-2	6802465	3-1
6801064	2-14	6801824	1-2	6802466	4-17
6801065	2-14	6801825	1-2	6802467	4-17
6801069	8-20	6801826	1-2	6802468	2-4
6801069	8-23	6801829	1-2	6802470	9-1
6801085	8-20	6801830	4-13	6802477	9-1
6801085	8-23	6801835	4-13	6802504	1-2
6801143	6-50	6801836	5-1	6802537	3-1
6801169	2-6	6801843	3-1	6802606	2-4
6801194	1-3	6801844	3-1	6802623	9-1
6801195	1-3	6801845	3-1	6802630	4-17
6801208	2-4	6801849	1-2	6802660	2-12
6801235	5-8	6801850	1-2	6802662	2-12
6801236	4-14	6801910	4-17	6802711	4-18
6801239	2-12	6801931	3-1	6802711	5-14
6801240	4-13	6801933	3-1	6802711	5-23
6801342	3-1	6801935	3-1	6802717	5-23
6801418	2-20	6801936	3-1	6802717	5-28
6801418	9-1	6801992	5-1	6802717	5-39
6801473	8-21	6801993	8-20	6802717	5-41
6801494	3-12	6801993	8-23	6802718	5-23
6801494	3-16	6801994	8-20	6802718	5-24
6801494	5-21	6801994	8-23	6802718	5-37
6801495	3-12	6802006	2-4	6802718	5-41
6801495	5-21	6802016	2-4	6802726	2-4
6801521	1-2	6802082	9-1	6802733	2-12
6801522	4-10	6802086	2-24	6802747	2-14
6801571	1-2	6802165	5-23	6802750	2-14
6801631	4-3	6802165	5-36	6802755	2-14
6801632	4-15	6802169	9-1	6802789	5-14
6801634	4-3	6802195	1-3	6802789	5-23
6801636	3-11	6802196	1-3	6802789	5-36
6801637	2-6	6802225	2-19	6802790	5-14

NUMERIC INDEX

PART NUMBER	PAGE	PART NUMBER	PAGE	PART NUMBER	PAGE
6802790	5-23	6803920	5-50	733728M1	6-7
6802790	5-36	6803920	5-53	733770M1	6-8
6802800	3-1	6803920	8-1	733811M1	6-6
6802806	2-14	6803920	8-22	733817M1	6-6
6802808	4-5	6803930	1-3	735168M91	6-2
6802956	9-1	6803931	1-3	735168M91	6-9
6802960	5-23	6804052	5-23	735170M91	6-9
6803109	2-19	6804059	9-1	735171M91	6-9
6803111	2-4	6804065	4-16	735710M1	6-46
6803113	2-19	6804066	4-16	735742M1	6-9
6803115	2-19	6804067	4-16	735743M1	6-9
6803122	2-19	6804076	5-14	735852M1	6-7
6803132	7-1	6804076	5-23	736868M1	6-3
6803133	7-1	6804076	5-36	739562M1	6-16
6803243	5-1	6804111	9-1	739605M1	6-16
6803310	9-1	6804165	9-1	743476M1	6-16
6803316	8-21	6804189	5-23	744397M1	6-8
6803317	8-21	6804303	4-1	744450M1	6-48
6803485	7-1	6804303	5-23	744534M1	6-8
6803487	7-1	6804552	5-8	745489M1	6-18
6803488	7-1	6804644	5-23	745662M1	6-5
6803495	7-1	6804644	5-36	745663M1	6-5
6803496	7-1	6804681	5-8	746259M1	6-3
6803540	2-5	6804850	7-1	747128M1	6-2
6803541	2-4	6804863	7-1	747128M1	6-9
6803542	2-4	6804864	7-1	747129M1	6-2
6803572	2-4	6804874	7-1	747129M1	6-9
6803580	4-17	6804905	4-14	747557M1	6-7
6803582	3-1	7000001	3-11	747679M1	6-32
6803586	7-1	7000003	4-6	748074M1	6-22
6803608	2-19	7000008	6-18	748201M1	6-9
6803609	2-19	7000014	4-8	748416M1	6-3
6803641	7-1	700718358	6-46	74910312	6-39
6803642	2-19	70905845	6-7	74958237	6-37
6803702	1-2	70905845	6-9	74958237	6-46
6803703	1-2	70912367	6-13	78009439	6-37
6803710	4-5	70917970	6-48	7J002104B	5-6
6803710	5-1	70937557	4-5	L311FF02	6-12
6803756	4-17	71379132	9-1	L311FF02	6-49
6803757	4-17	71389158	9-1	WR000767	5-1
6803761	5-1	72080004	6-3	WR000769	5-1
6803785	2-19	72080004	6-5	WR000829	5-9
6803786	2-19	72080214	6-43	WR001344	8-16
6803787	1-3	72162717	3-4	WR006365	8-15
6803788	1-3	72162717	3-5	WR009979	5-12
6803795	7-1	72162717	3-14	WR009979	5-19
6803816	2-19	72162717	3-15	WR009979	5-51
6803824	2-19	72200288	4-5	WR009979	5-54
6803869	5-14	72528122	9-1	WR010359	5-45
6803869	5-23	731033M1	6-7	WR010359	5-46
6803920	5-45	731330M1	6-6	WR010359	5-47
6803920	5-46	731388M1	6-46	WR010359	5-48
6803920	5-47	731410M1	6-5	WR010359	5-49
6803920	5-48	731410M1	6-44	WR010359	5-50
6803920	5-49	733072M1	6-3	WR010359	5-53

NUMERIC INDEX

PART NUMBER	PAGE	PART NUMBER	PAGE	PART NUMBER	PAGE
WR01809	5-45	WR055191	8-16	WR11494	5-29
WR01809	5-46	WR056290	5-12	WR11497	2-19
WR01809	5-47	WR056290	5-19	WR11505	5-45
WR01809	5-48	WR056290	5-51	WR11505	5-46
WR01809	5-50	WR056290	5-54	WR11505	5-47
WR01809	5-53	WR056785	5-12	WR11505	5-48
WR029161	5-38	WR056785	5-19	WR11505	5-49
WR029161	5-40	WR056785	5-51	WR11505	5-50
WR029240	2-12	WR056785	5-54	WR11505	5-53
WR029240	2-19	WR056871	5-3	WR11514	7-1
WR029298	2-19	WR061235	3-4	WR11515	5-38
WR029298	4-1	WR061235	3-5	WR11515	5-40
WR029298	4-11	WR061235	3-14	WR11522	2-4
WR029298	5-14	WR061235	3-15	WR11531	5-38
WR029298	5-23	WR10152	2-14	WR11536	1-3
WR029298	5-36	WR10193	2-4	WR11536	8-19
WR050255	5-1	WR10193	2-17	WR11543	5-32
WR050268	5-1	WR10193	8-21	WR11546	5-24
WR050274	5-1	WR10254	3-1	WR11546	5-28
WR050689	5-1	WR10337	2-6	WR11546	5-37
WR050692	5-9	WR10337	2-11	WR11546	5-39
WR051058	5-4	WR10337	2-19	WR11546	5-41
WR051128	5-2	WR10339	5-23	WR11557	5-32
WR051135	5-4	WR10339	5-24	WR11853	7-1
WR051137	5-19	WR10339	5-25	WR120510	1-3
WR051137	5-54	WR10339	5-28	WR120567	5-38
WR051138	5-4	WR10339	5-29	WR120567	5-40
WR051141	5-31	WR10339	5-37	WR120637	5-9
WR051141	5-34	WR10339	5-38	WR120645	7-1
WR051141	5-42	WR10339	5-39	WR120657	2-4
WR051142	5-1	WR10339	5-40	WR120749	4-17
WR051142	5-34	WR10339	5-41	WR121071	2-17
WR051146	5-4	WR10416	5-8	WR121343	4-5
WR051151	5-1	WR10852	8-16	WR121581	5-14
WR051153	5-4	WR10853	4-12	WR121622	5-14
WR051157	5-2	WR10854	8-2	WR121622	5-23
WR051158	5-2	WR10856	5-1	WR121622	5-36
WR051159	5-2	WR10856	8-2	WR121947	5-56
WR051162	5-2	WR10857	4-15	WR122322	5-38
WR051165	5-2	WR10857	5-1	WR122322	5-40
WR051170	5-4	WR10859	4-16	WR122403	3-1
WR051182	5-2	WR10861	4-16	WR122409	5-21
WR051183	5-12	WR10896	5-24	WR122414	3-1
WR051183	5-22	WR10896	5-28	WR122415	3-12
WR051183	5-35	WR10896	5-37	WR122415	5-21
WR051183	5-44	WR10896	5-39	WR122423	3-1
WR051437	5-2	WR10896	5-41	WR122424	3-1
WR051442	5-4	WR11074	5-45	WR122431	3-17
WR051926	5-1	WR11074	5-46	WR122432	3-6
WR052022	8-15	WR11074	5-47	WR122432	3-7
WR052116	5-2	WR11074	5-48	WR122433	3-4
WR052342	5-2	WR11074	5-49	WR122433	3-5
WR052373	5-2	WR11074	5-50	WR122433	3-14
WR053041	5-1	WR11074	5-53	WR122433	3-15
WR053056	5-2	WR11494	5-25	WR122553	5-37

NUMERIC INDEX

PART NUMBER	PAGE	PART NUMBER	PAGE	PART NUMBER	PAGE
WR122553	5-39	WR128148	6-1	WR128202	6-26
WR122553	5-41	WR128149	6-1	WR128203	6-26
WR122578	5-7	WR128150	6-1	WR128204	6-26
WR122586	5-7	WR128151	6-1	WR128205	6-29
WR122590	5-7	WR128152	6-1	WR128206	6-29
WR122617	5-13	WR128152	6-23	WR128207	6-30
WR122617	5-55	WR128153	6-1	WR128207	6-33
WR122618	5-13	WR128154	6-1	WR128208	6-37
WR122618	5-55	WR128155	6-1	WR128208	6-49
WR122619	5-13	WR128156	6-1	WR128209	6-46
WR122619	5-55	WR128157	6-1	WR128210	6-47
WR122620	5-13	WR128158	6-1	WR128367	4-6
WR122620	5-55	WR128159	6-1	WR128497	4-12
WR122639	2-19	WR128160	6-1	WR128498	4-12
WR122830	3-1	WR128161	6-1	WR128555	4-8
WR122883	2-4	WR128162	6-1	WR129187	5-2
WR122884	2-4	WR128163	6-1	WR129187	5-9
WR123184	6-12	WR128164	6-1	WR129279	2-2
WR124390	3-1	WR128165	6-1	WR129280	2-2
WR124890	2-2	WR128166	6-1	WR129281	2-2
WR124891	2-2	WR128167	6-1	WR129450	3-12
WR124894	2-2	WR128168	6-1	WR129450	5-21
WR124898	2-2	WR128169	6-1	WR12952	4-12
WR125372	3-1	WR128170	6-1	WR12952	6-50
WR125677	6-50	WR128171	6-1	WR12966	5-1
WR125694	1-3	WR128172	6-1	WR129771	9-1
WR126288	2-14	WR128173	6-1	WR13067	3-1
WR127281	8-2	WR128174	6-3	WR13082	2-14
WR127281	8-13	WR128175	6-3	WR13089	1-3
WR127298	4-2	WR128176	6-3	WR131457	2-15
WR127425	6-3	WR128177	6-4	WR131458	2-16
WR127425	6-16	WR128178	6-5	WR131459	2-16
WR127425	6-32	WR128179	6-5	WR131553	3-17
WR127425	6-35	WR128180	6-7	WR131555	3-4
WR127494	6-37	WR128181	6-8	WR131555	3-5
WR127494	6-42	WR128182	6-8	WR131555	3-6
WR127494	6-49	WR128183	6-8	WR131555	3-7
WR127498	6-16	WR128185	6-12	WR131555	3-14
WR127500	6-2	WR128186	6-12	WR131556	3-4
WR128112	3-1	WR128187	6-13	WR131556	3-5
WR128133	6-1	WR128188	6-13	WR131558	3-15
WR128134	6-1	WR128189	6-13	WR131571	3-4
WR128135	6-1	WR128190	6-13	WR131571	3-5
WR128136	6-1	WR128191	6-15	WR131574	3-17
WR128137	6-1	WR128192	6-17	WR131576	3-15
WR128138	6-1	WR128193	6-18	WR131580	3-14
WR128139	6-1	WR128194	6-19	WR131587	3-6
WR128140	6-1	WR128195	6-19	WR131588	3-7
WR128141	6-1	WR128196	6-20	WR131597	3-17
WR128142	6-1	WR128197	6-23	WR131604	3-6
WR128143	6-1	WR128197	6-24	WR131604	3-7
WR128144	6-1	WR128198	6-23	WR131617	3-4
WR128145	6-1	WR128199	6-25	WR131617	3-5
WR128146	6-1	WR128200	6-25	WR131617	3-14
WR128147	6-1	WR128201	6-25	WR131618	3-17

NUMERIC INDEX

PART NUMBER	PAGE	PART NUMBER	PAGE	PART NUMBER	PAGE
WR131620	3-15	WR139488	2-13	WR27621	5-45
WR131625	3-6	WR139489	2-13	WR27621	5-46
WR131625	3-7	WR139490	2-13	WR27621	5-47
WR132372	2-18	WR139491	2-13	WR27621	5-48
WR132373	2-18	WR16058	5-32	WR27621	5-49
WR132466	8-21	WR16058	5-33	WR27621	5-50
WR132508	5-42	WR17220	5-24	WR27621	5-53
WR132509	5-42	WR17220	5-28	WR27671	3-2
WR132883	8-13	WR17220	5-37	WR27671	3-3
WR132884	8-13	WR17220	5-38	WR27671	3-13
WR132885	8-13	WR17220	5-39	WR27671	5-15
WR132887	8-13	WR17220	5-40	WR27966	5-21
WR132888	8-13	WR17220	5-41	WR28265	3-12
WR132889	8-13	WR18171	7-1	WR28265	5-21
WR132890	8-13	WR18672	5-37	WR28944	2-1
WR132891	8-13	WR18672	5-39	WR29124	5-23
WR132892	8-13	WR18672	5-41	WR29125	2-6
WR132893	8-13	WR21845	5-38	WR29125	2-12
WR132894	8-13	WR21845	5-40	WR29201	7-1
WR132895	8-13	WR21845	5-41	WR29567	8-2
WR132896	8-13	WR22409	5-21	WR29658	5-45
WR132897	8-13	WR24906	4-16	WR29658	5-46
WR132898	8-13	WR24913	7-1	WR29658	5-47
WR13354	7-1	WR25293	5-38	WR29658	5-48
WR133741	2-13	WR25293	5-40	WR29658	5-49
WR133757	2-13	WR25441	5-21	WR29658	5-50
WR133760	2-13	WR25503	7-1	WR29658	5-53
WR139460	2-13	WR25504	7-1	WR29666	5-45
WR139461	2-13	WR25749	4-13	WR29666	5-46
WR139462	2-13	WR25752	3-1	WR29666	5-47
WR139463	2-13	WR25752	7-1	WR29666	5-48
WR139464	2-13	WR25752	8-22	WR29666	5-49
WR139465	2-13	WR25758	2-19	WR29666	5-50
WR139466	2-13	WR26037	3-1	WR29666	5-53
WR139467	2-13	WR26037	5-1	WR29673	6-50
WR139468	2-13	WR26241	5-1	WR29675	5-45
WR139469	2-13	WR26371	4-17	WR29675	5-46
WR139470	2-13	WR26371	8-22	WR29675	5-47
WR139471	2-13	WR26404	3-2	WR29675	5-48
WR139472	2-13	WR26404	5-15	WR29675	5-49
WR139473	2-13	WR26408	3-2	WR29675	5-50
WR139474	2-13	WR26408	3-13	WR29675	5-53
WR139475	2-13	WR26451	4-6	WR30002	5-23
WR139476	2-13	WR26513	4-17	WR30334	5-32
WR139477	2-13	WR26528	3-2	WR31555	5-32
WR139478	2-13	WR26528	3-13	WR32254	3-1
WR139479	2-13	WR26541	2-4	WR32254	3-12
WR139480	2-13	WR27174	5-45	WR32254	3-16
WR139481	2-13	WR27174	5-46	WR32254	5-14
WR139482	2-13	WR27174	5-47	WR32254	5-21
WR139483	2-13	WR27174	5-48	WR32254	5-23
WR139484	2-13	WR27174	5-49	WR32254	7-1
WR139485	2-13	WR27174	5-50	WR32254	8-20
WR139486	2-13	WR27174	5-53	WR32254	8-22
WR139487	2-13	WR27196	7-1	WR32254	8-23

NUMERIC INDEX

PART NUMBER	PAGE	PART NUMBER	PAGE	PART NUMBER	PAGE
WR32269	5-1	WR36335	4-7	WR37432	5-32
WR32739	5-1	WR36341	4-7	WR37435	5-32
WR32739	5-12	WR36347	4-7	WR37439	5-32
WR32739	5-22	WR36851	5-52	WR37440	5-32
WR32739	5-35	WR36853	5-13	WR37447	5-32
WR32739	5-43	WR36853	5-52	WR37448	5-32
WR32739	5-44	WR36853	5-55	WR37449	5-32
WR33395	8-2	WR37156	9-1	WR37450	5-32
WR33530	2-13	WR37158	9-1	WR37451	5-32
WR33851	3-1	WR37159	9-1	WR37452	5-32
WR34500	5-13	WR37164	9-1	WR37453	5-32
WR34500	5-55	WR37166	9-1	WR37454	5-32
WR34501	5-12	WR37255	9-1	WR37461	5-38
WR34501	5-13	WR37257	9-1	WR37462	5-40
WR34501	5-19	WR37265	5-45	WR37463	5-38
WR34501	5-51	WR37265	5-46	WR37463	5-40
WR34501	5-54	WR37265	5-47	WR37481	3-12
WR34501	5-55	WR37265	5-48	WR37481	3-16
WR34508	2-14	WR37265	5-50	WR37481	5-21
WR34508	8-20	WR37265	5-53	WR37482	5-21
WR34508	8-23	WR37287	5-45	WR37483	5-38
WR34606	5-32	WR37287	5-46	WR37483	5-40
WR34609	5-32	WR37287	5-47	WR37489	5-36
WR35018	5-52	WR37287	5-48	WR37490	5-36
WR35019	5-13	WR37287	5-49	WR37491	5-37
WR35019	5-52	WR37287	5-50	WR37492	5-39
WR35019	5-55	WR37287	5-53	WR37520	5-24
WR35020	5-13	WR37369	9-1	WR37521	5-28
WR35020	5-52	WR37374	3-1	WR37522	5-23
WR35020	5-55	WR37375	3-1	WR37523	5-23
WR35021	5-13	WR37386	3-1	WR37534	5-38
WR35021	5-52	WR37388	3-12	WR37534	5-40
WR35021	5-55	WR37388	3-16	WR37548	5-32
WR35022	5-52	WR37388	5-21	WR37567	5-27
WR35022	5-55	WR37389	3-12	WR37574	5-24
WR35023	5-13	WR37389	5-21	WR37574	5-28
WR35023	5-52	WR37390	3-12	WR37574	5-38
WR35023	5-55	WR37390	5-21	WR37574	5-40
WR35024	5-13	WR37391	3-12	WR37574	5-41
WR35024	5-52	WR37391	5-21	WR37580	5-14
WR35024	5-55	WR37392	3-12	WR37580	5-23
WR35152	2-4	WR37392	5-21	WR37580	5-36
WR35152	5-14	WR37393	3-12	WR37586	5-45
WR35152	5-23	WR37393	5-21	WR37586	5-46
WR35152	5-36	WR37394	3-12	WR37586	5-47
WR35153	4-17	WR37394	5-21	WR37586	5-48
WR35153	5-25	WR37395	3-12	WR37586	5-49
WR35153	5-29	WR37395	5-21	WR37586	5-50
WR35195	5-21	WR37396	3-12	WR37586	5-53
WR35925	4-1	WR37396	5-21	WR37774	5-21
WR35925	5-23	WR37397	3-1	WR37775	5-33
WR36214	6-1	WR37398	3-1	WR37777	5-25
WR36214	6-16	WR37399	3-1	WR37777	5-29
WR36330	4-6	WR37400	3-1	WR37782	5-12
WR36330	4-7	WR37401	3-1	WR37782	5-44

NUMERIC INDEX

PART NUMBER	PAGE	PART NUMBER	PAGE	PART NUMBER	PAGE
WR37790	5-21	WR37842	5-49	WR37879	5-49
WR37796	5-34	WR37842	5-50	WR37879	5-53
WR37797	5-34	WR37842	5-53	WR37895	5-14
WR37798	5-31	WR37842	8-1	WR37895	5-23
WR37798	5-34	WR37843	5-45	WR37895	5-36
WR37798	5-42	WR37843	5-46	WR38165	5-45
WR37799	5-34	WR37843	5-47	WR38165	5-46
WR37813	5-45	WR37843	5-48	WR38165	5-47
WR37813	5-46	WR37843	5-49	WR38165	5-48
WR37813	5-47	WR37843	5-50	WR38165	5-49
WR37813	5-48	WR37843	5-53	WR38165	5-50
WR37813	5-49	WR37843	8-1	WR38165	5-53
WR37813	5-50	WR37844	5-45	WR38166	5-45
WR37813	5-53	WR37844	5-46	WR38166	5-46
WR37814	5-45	WR37844	5-47	WR38166	5-47
WR37814	5-46	WR37844	5-48	WR38166	5-48
WR37814	5-47	WR37844	5-49	WR38166	5-49
WR37814	5-48	WR37844	5-50	WR38166	5-50
WR37814	5-49	WR37844	5-53	WR38166	5-53
WR37814	5-50	WR37846	3-12	WR38167	5-45
WR37814	5-53	WR37846	5-21	WR38167	5-46
WR37816	5-45	WR37855	5-21	WR38167	5-47
WR37816	5-46	WR37871	5-45	WR38167	5-48
WR37816	5-47	WR37871	5-46	WR38167	5-49
WR37816	5-48	WR37871	5-47	WR38167	5-50
WR37816	5-49	WR37871	5-48	WR38167	5-53
WR37816	5-50	WR37871	5-49	WR38168	5-45
WR37816	5-53	WR37871	5-50	WR38168	5-46
WR37817	5-45	WR37871	5-53	WR38168	5-47
WR37817	5-46	WR37872	5-51	WR38168	5-48
WR37817	5-47	WR37874	5-45	WR38168	5-49
WR37817	5-48	WR37874	5-46	WR38168	5-50
WR37817	5-49	WR37874	5-47	WR38168	5-53
WR37817	5-50	WR37874	5-48	WR38169	5-45
WR37817	5-53	WR37874	5-49	WR38169	5-46
WR37820	5-21	WR37874	5-50	WR38169	5-47
WR37821	5-21	WR37874	5-53	WR38169	5-48
WR37840	5-45	WR37877	5-45	WR38169	5-49
WR37840	5-46	WR37877	5-46	WR38169	5-50
WR37840	5-47	WR37877	5-47	WR38169	5-53
WR37840	5-48	WR37877	5-48	WR38170	5-45
WR37840	5-49	WR37877	5-49	WR38170	5-46
WR37840	5-50	WR37877	5-50	WR38170	5-47
WR37840	5-53	WR37877	5-53	WR38170	5-48
WR37841	5-45	WR37878	5-45	WR38170	5-49
WR37841	5-46	WR37878	5-46	WR38170	5-50
WR37841	5-47	WR37878	5-47	WR38170	5-53
WR37841	5-48	WR37878	5-48	WR38171	5-45
WR37841	5-49	WR37878	5-49	WR38171	5-46
WR37841	5-50	WR37878	5-50	WR38171	5-47
WR37841	5-53	WR37878	5-53	WR38171	5-48
WR37842	5-45	WR37879	5-45	WR38171	5-49
WR37842	5-46	WR37879	5-46	WR38171	5-50
WR37842	5-47	WR37879	5-47	WR38171	5-53
WR37842	5-48	WR37879	5-48	WR38172	5-45

NUMERIC INDEX

PART NUMBER	PAGE	PART NUMBER	PAGE	PART NUMBER	PAGE
WR38172	5-46	WR38864	8-2	WR41694	5-50
WR38172	5-47	WR38865	8-2	WR41694	5-53
WR38172	5-48	WR38878	8-2	WR50814	4-18
WR38172	5-49	WR38879	8-2	WR50814	5-14
WR38172	5-50	WR39035	5-25	WR50814	5-23
WR38172	5-53	WR39035	5-38	WR50814	5-41
WR38173	5-45	WR39036	5-29	WR50830	2-6
WR38173	5-46	WR39036	5-40	WR50830	3-1
WR38173	5-47	WR39039	5-38	WR50830	4-5
WR38173	5-48	WR39039	5-40	WR50830	4-13
WR38173	5-49	WR39040	5-38	WR50830	6-50
WR38173	5-50	WR39040	5-40	WR50830	7-1
WR38173	5-53	WR39057	5-45	WR50831	2-19
WR38174	5-45	WR39057	5-46	WR50838	1-2
WR38174	5-46	WR39057	5-47	WR50838	2-6
WR38174	5-47	WR39057	5-48	WR50838	2-12
WR38174	5-48	WR39057	5-49	WR50838	2-14
WR38174	5-49	WR39074	2-1	WR50838	2-19
WR38174	5-50	WR39076	1-3	WR50838	3-1
WR38174	5-53	WR39077	1-3	WR50838	4-5
WR38175	5-45	WR39078	2-1	WR50838	7-1
WR38175	5-46	WR39082	5-45	WR50838	8-18
WR38175	5-47	WR39082	5-46	WR50847	4-10
WR38175	5-48	WR39082	5-47	WR50851	5-23
WR38175	5-49	WR39082	5-48	WR50851	5-36
WR38175	5-50	WR39082	5-49	WR50857	2-1
WR38175	5-53	WR39087	5-25	WR50857	4-17
WR38198	9-1	WR39088	5-29	WR50914	5-9
WR38716	5-27	WR40884	5-21	WR50955	9-1
WR38718	5-26	WR41663	5-45	WR511153	9-1
WR38719	5-25	WR41663	5-46	WR51201	7-1
WR38719	5-29	WR41663	5-47	WR512125	9-1
WR38719	5-38	WR41663	5-48	WR51213	5-10
WR38719	5-40	WR41663	5-49	WR512273	7-1
WR38720	5-25	WR41663	5-50	WR51241	8-2
WR38720	5-29	WR41663	5-53	WR513724	5-1
WR38720	5-38	WR41689	5-45	WR514288	8-2
WR38720	5-40	WR41689	5-46	WR514800	2-6
WR38755	5-12	WR41689	5-47	WR514800	2-11
WR38755	5-51	WR41689	5-48	WR514803	3-1
WR38761	3-2	WR41689	5-49	WR515180	4-10
WR38761	3-13	WR41689	5-50	WR515180	5-14
WR38762	3-2	WR41689	5-53	WR515180	5-23
WR38763	3-2	WR41693	5-45	WR515180	5-25
WR38763	3-13	WR41693	5-46	WR515180	5-29
WR38764	3-2	WR41693	5-47	WR515180	5-36
WR38764	5-15	WR41693	5-48	WR515180	5-38
WR38765	3-2	WR41693	5-49	WR515180	5-40
WR38765	3-13	WR41693	5-50	WR515180	8-21
WR38766	3-2	WR41693	5-53	WR515478	7-1
WR38767	3-2	WR41694	5-45	WR515762	3-2
WR38767	3-13	WR41694	5-46	WR515762	3-13
WR38768	5-15	WR41694	5-47	WR515762	5-3
WR38769	5-15	WR41694	5-48	WR515762	5-6
WR38850	8-1	WR41694	5-49	WR515762	5-15

NUMERIC INDEX

PART NUMBER	PAGE	PART NUMBER	PAGE	PART NUMBER	PAGE
WR515762	7-1	WR524510	9-1	WR550191	8-9
WR515765	3-2	WR524542	5-25	WR550191	8-21
WR515765	3-13	WR524542	5-29	WR550205	2-6
WR515765	5-3	WR524542	5-38	WR550205	2-11
WR515765	5-6	WR524542	5-40	WR550205	2-14
WR515765	5-15	WR55000	5-20	WR550205	3-1
WR515765	7-1	WR55007	4-17	WR550205	3-12
WR515782	2-4	WR55007	8-22	WR550205	3-16
WR515782	7-1	WR550116	5-24	WR550205	5-21
WR515782	8-8	WR550116	5-28	WR550205	5-23
WR515850	3-2	WR550116	5-37	WR550205	8-10
WR515850	3-13	WR550116	5-38	WR550205	8-22
WR515850	5-15	WR550116	5-39	WR55021	8-18
WR515850	7-1	WR550116	5-40	WR550213	2-6
WR515853	5-6	WR550116	5-41	WR550213	4-5
WR515917	5-3	WR550124	5-23	WR550213	4-17
WR515983	6-50	WR550124	5-25	WR550213	5-21
WR516405	5-4	WR550124	5-29	WR550213	5-23
WR516481	8-2	WR550124	5-36	WR550213	5-25
WR517438	2-14	WR550124	5-38	WR550213	5-29
WR517438	4-17	WR550124	5-40	WR550213	8-10
WR518096	4-17	WR550124	5-41	WR550213	8-21
WR519114	3-1	WR550167	4-13	WR550213	8-22
WR519115	2-6	WR550175	3-1	WR55026	4-5
WR519123	2-6	WR550175	5-38	WR55026	7-1
WR519123	2-11	WR550175	5-40	WR550264	5-20
WR519123	3-1	WR550183	2-6	WR550280	1-1
WR519123	3-12	WR550183	2-11	WR550280	1-4
WR519123	3-16	WR550183	2-14	WR550280	2-3
WR519123	5-21	WR550183	3-1	WR550280	3-6
WR520260	5-45	WR550183	3-12	WR550280	3-14
WR520260	5-46	WR550183	3-16	WR550280	3-15
WR520260	5-47	WR550183	4-10	WR550280	3-17
WR520260	5-48	WR550183	5-21	WR550280	4-1
WR520260	5-49	WR550183	5-23	WR550280	5-23
WR520260	5-50	WR550183	5-38	WR55029	7-1
WR520260	5-53	WR550183	5-40	WR550310	5-14
WR520866	8-18	WR550183	5-45	WR550310	5-23
WR520885	5-14	WR550183	5-46	WR550310	5-36
WR520885	5-23	WR550183	5-47	WR55035	2-6
WR520885	5-25	WR550183	5-48	WR55035	2-12
WR520885	5-36	WR550183	5-49	WR55036	4-5
WR520885	5-38	WR550183	5-50	WR55036	5-20
WR520885	5-40	WR550183	5-53	WR55036	5-45
WR520907	7-1	WR550191	2-4	WR55036	5-46
WR520967	3-1	WR550191	3-1	WR55036	5-47
WR520967	6-50	WR550191	4-13	WR55036	5-48
WR521798	3-1	WR550191	5-1	WR55036	5-49
WR522718	5-14	WR550191	5-12	WR55036	5-50
WR522823	2-4	WR550191	5-14	WR55036	5-53
WR523069	5-1	WR550191	5-22	WR55041	3-1
WR523069	6-50	WR550191	5-23	WR55043	3-12
WR523069	7-1	WR550191	5-35	WR55043	3-16
WR523227	3-1	WR550191	5-36	WR55043	5-21
WR523964	9-1	WR550191	5-43	WR55045	4-9

NUMERIC INDEX

PART NUMBER	PAGE	PART NUMBER	PAGE	PART NUMBER	PAGE
WR55045	7-1	WR550507	5-44	WR55068	5-36
WR55045	8-18	WR550507	5-45	WR550698	3-1
WR550450	2-14	WR550507	5-46	WR550698	7-1
WR550450	2-17	WR550507	5-47	WR55070	2-19
WR550450	8-18	WR550507	5-48	WR55070	4-17
WR550450	8-19	WR550507	5-49	WR55071	7-1
WR55046	2-6	WR550507	5-50	WR55075	2-1
WR55046	5-1	WR550507	5-53	WR55075	2-6
WR55046	6-50	WR55051	1-3	WR55075	3-1
WR550469	5-23	WR55051	4-5	WR55075	4-5
WR550469	5-24	WR550515	5-25	WR55075	4-9
WR550469	5-28	WR550515	5-29	WR55075	4-13
WR550469	5-37	WR55052	5-1	WR55076	8-20
WR550469	5-39	WR55053	1-3	WR55076	8-23
WR550469	5-41	WR550531	8-8	WR550779	5-38
WR55047	2-1	WR55055	8-18	WR550779	5-40
WR55047	2-6	WR550558	2-14	WR55078	1-3
WR550477	4-18	WR550558	8-8	WR55078	8-17
WR550477	5-23	WR550566	4-17	WR55079	2-1
WR550477	5-24	WR550566	7-1	WR55079	4-1
WR550477	5-25	WR550566	8-8	WR55079	5-23
WR550477	5-28	WR55058	5-23	WR550825	2-4
WR550477	5-29	WR55058	5-36	WR550825	4-3
WR550477	5-36	WR55059	8-17	WR550825	4-5
WR550477	5-38	WR55060	8-17	WR550825	5-1
WR550477	5-40	WR550612	2-12	WR550825	5-14
WR550477	5-41	WR550612	5-1	WR550825	5-23
WR550477	8-18	WR550612	5-12	WR550825	5-36
WR550485	2-14	WR550612	5-20	WR550825	8-9
WR550485	2-19	WR550612	5-21	WR550825	8-21
WR550485	7-1	WR550612	5-22	WR55083	4-18
WR550493	2-12	WR550612	5-35	WR55083	5-14
WR550493	2-14	WR550612	5-44	WR55083	5-23
WR550493	3-1	WR550612	5-45	WR55083	5-41
WR550493	3-12	WR550612	5-46	WR550906	5-32
WR550493	5-1	WR550612	5-47	WR55091	2-19
WR550493	5-12	WR550612	5-48	WR55091	4-17
WR550493	5-20	WR550612	5-49	WR55091	7-1
WR550493	5-21	WR550612	5-50	WR55092	2-6
WR550493	5-22	WR550612	5-53	WR55092	2-11
WR550493	5-35	WR550612	8-6	WR55098	2-6
WR550493	5-44	WR55062	5-23	WR550981	5-38
WR550493	5-45	WR55063	1-2	WR550981	5-40
WR550493	5-46	WR550647	7-1	WR55099	1-3
WR550493	5-47	WR55065	2-4	WR551007	5-25
WR550493	5-48	WR550655	4-18	WR551007	5-29
WR550493	5-49	WR550655	5-14	WR551007	5-38
WR550493	5-50	WR55067	1-3	WR551007	5-40
WR550493	5-53	WR550671	2-14	WR551007	8-18
WR550493	7-1	WR550671	2-19	WR551007	8-21
WR550493	8-6	WR550671	5-20	WR55101	4-17
WR550507	5-1	WR550671	7-1	WR551015	5-14
WR550507	5-12	WR550671	8-6	WR551015	5-23
WR550507	5-22	WR55068	5-14	WR551015	5-25
WR550507	5-35	WR55068	5-23	WR551015	5-29

NUMERIC INDEX

PART NUMBER	PAGE	PART NUMBER	PAGE	PART NUMBER	PAGE
WR551015	5-38	WR55134	5-25	WR55158	5-23
WR551015	5-40	WR55134	5-29	WR55158	5-32
WR551015	7-1	WR55134	5-38	WR55158	5-36
WR551015	8-9	WR55134	5-40	WR55158	8-18
WR551015	8-10	WR55135	5-23	WR55159	4-5
WR551015	8-21	WR551392	4-3	WR55159	4-15
WR551015	8-22	WR55141	1-2	WR55161	6-50
WR55102	2-19	WR55141	2-19	WR55163	2-4
WR55102	4-17	WR55142	2-19	WR55164	1-3
WR55102	7-1	WR551457	8-21	WR55168	2-1
WR55103	4-6	WR55147	8-21	WR55169	4-8
WR55103	7-1	WR55148	2-6	WR55169	7-1
WR551031	5-23	WR55148	2-11	WR55170	5-31
WR551031	5-24	WR55149	4-17	WR55170	5-34
WR551031	5-25	WR551503	3-1	WR55170	5-42
WR551031	5-28	WR551503	4-13	WR55171	8-20
WR551031	5-29	WR551503	5-7	WR55171	8-23
WR551031	5-37	WR551503	5-38	WR55172	5-14
WR551031	5-38	WR551503	5-40	WR55172	5-23
WR551031	5-39	WR551503	5-45	WR55172	5-36
WR551031	5-40	WR551503	5-46	WR55172	8-20
WR551031	5-41	WR551503	5-47	WR55172	8-23
WR55104	2-14	WR551503	5-48	WR55173	1-2
WR55104	3-1	WR551503	5-49	WR55173	8-20
WR55104	5-45	WR551503	5-50	WR55173	8-23
WR55104	5-46	WR551503	5-53	WR55174	8-20
WR55104	5-47	WR551503	8-1	WR55174	8-23
WR55104	5-48	WR55153	5-14	WR55178	5-45
WR55104	5-49	WR55153	5-23	WR55178	5-46
WR55104	5-50	WR55153	5-36	WR55178	5-47
WR55104	5-53	WR55156	4-5	WR55178	5-48
WR55104	7-1	WR55157	2-12	WR55178	5-49
WR55106	1-2	WR55157	4-15	WR55178	5-50
WR55106	2-6	WR55157	4-17	WR55178	5-53
WR55106	2-12	WR55157	5-20	WR55178	8-20
WR55106	2-14	WR55157	5-45	WR55178	8-23
WR55106	3-1	WR55157	5-46	WR55180	5-1
WR55106	4-5	WR55157	5-47	WR55180	5-12
WR55106	4-15	WR55157	5-48	WR551856	4-18
WR55106	5-1	WR55157	5-49	WR551856	5-14
WR55106	6-50	WR55157	5-50	WR551856	5-23
WR55106	7-1	WR55157	5-53	WR551856	5-36
WR55111	8-21	WR55157	8-18	WR55187	4-17
WR551112	3-1	WR55158	1-2	WR55188	4-5
WR55121	2-4	WR55158	2-14	WR55190	2-12
WR55121	2-6	WR55158	2-19	WR55190	4-17
WR55121	2-11	WR55158	3-1	WR55191	1-2
WR551224	8-21	WR55158	4-1	WR55191	2-14
WR551228	2-14	WR55158	4-5	WR55191	4-5
WR55124	5-23	WR55158	4-6	WR55191	4-13
WR551279	3-1	WR55158	4-11	WR55191	5-1
WR551279	3-12	WR55158	4-13	WR55191	8-20
WR551279	5-21	WR55158	4-15	WR55191	8-23
WR55128	7-1	WR55158	4-17	WR55193	8-18
WR55134	5-23	WR55158	5-14	WR551937	1-3

NUMERIC INDEX

PART NUMBER	PAGE	PART NUMBER	PAGE	PART NUMBER	PAGE
WR551937	8-19	WR55232	7-1	WR55280	8-20
WR55198	2-1	WR552321	8-21	WR55280	8-23
WR55202	7-1	WR55233	2-14	WR55281	1-2
WR55204	5-23	WR55233	7-1	WR55281	2-6
WR552046	4-18	WR55235	8-16	WR55281	2-11
WR552046	5-23	WR55236	2-14	WR55281	2-19
WR552046	5-36	WR55236	3-1	WR55281	4-6
WR552046	5-41	WR55237	7-1	WR55281	4-15
WR55205	2-19	WR55247	2-6	WR55281	7-1
WR55205	4-16	WR55247	4-5	WR55281	8-20
WR55205	5-14	WR55247	4-13	WR55281	8-23
WR55205	5-23	WR55247	7-1	WR55283	7-1
WR55205	8-20	WR55248	2-14	WR55284	8-5
WR55205	8-23	WR55248	3-1	WR55292	2-14
WR55206	2-4	WR55248	7-1	WR55292	5-1
WR55206	4-15	WR55249	7-1	WR55293	5-31
WR55206	6-50	WR55250	7-1	WR55293	5-34
WR55206	7-1	WR55251	4-17	WR55293	5-42
WR55206	8-20	WR55254	4-17	WR55297	4-15
WR55206	8-23	WR55255	4-17	WR55298	5-20
WR552062	8-18	WR55255	5-23	WR55298	5-45
WR55208	7-1	WR55255	5-36	WR55298	5-46
WR55208	8-20	WR55255	5-38	WR55298	5-47
WR55208	8-23	WR55255	5-40	WR55298	5-48
WR552089	2-6	WR55261	2-14	WR55298	5-49
WR55210	1-2	WR55266	4-17	WR55298	5-50
WR55210	2-19	WR55268	4-3	WR55298	5-53
WR55211	6-50	WR55271	7-1	WR55299	8-5
WR552127	4-3	WR55271	8-18	WR55299	8-18
WR55214	1-2	WR55272	1-3	WR55300	7-1
WR55214	2-12	WR55272	2-1	WR55301	2-12
WR55214	3-1	WR55272	2-3	WR55301	2-14
WR55214	4-5	WR55272	2-14	WR55301	4-3
WR55214	4-6	WR55272	2-19	WR55301	4-5
WR55214	4-15	WR55272	4-1	WR55301	4-15
WR55214	8-18	WR55272	4-13	WR55301	4-17
WR55214	8-20	WR55272	5-14	WR55301	5-1
WR55214	8-23	WR55272	5-23	WR55301	5-12
WR55215	2-3	WR55272	8-18	WR55301	5-22
WR55215	2-14	WR55273	2-19	WR55301	5-35
WR55215	3-1	WR55273	5-23	WR55301	5-44
WR55215	4-3	WR55273	8-18	WR55301	7-1
WR55215	4-15	WR55274	1-3	WR55301	8-18
WR55215	8-18	WR55274	4-17	WR55301	8-20
WR55217	4-3	WR55275	8-17	WR55301	8-23
WR55217	4-15	WR55277	5-45	WR55302	2-4
WR552194	3-1	WR55277	5-46	WR55303	2-14
WR55222	4-3	WR55277	5-47	WR553069	5-25
WR55224	6-50	WR55277	5-48	WR553069	5-29
WR552240	8-18	WR55277	5-49	WR553069	5-38
WR55226	3-1	WR55277	5-50	WR553069	5-40
WR552275	2-6	WR55277	5-53	WR55308	4-17
WR552275	5-21	WR55278	7-1	WR55310	8-20
WR55232	3-1	WR55280	1-2	WR55310	8-23
WR55232	4-15	WR55280	4-6	WR55311	8-22

NUMERIC INDEX

PART NUMBER	PAGE	PART NUMBER	PAGE	PART NUMBER	PAGE
WR55312	4-11	WR55355	5-23	WR55405	6-50
WR55312	7-1	WR55355	5-24	WR55406	2-19
WR55313	4-17	WR55355	5-25	WR55408	5-20
WR55316	2-6	WR55355	5-28	WR55409	5-20
WR55316	5-1	WR55355	5-29	WR55410	2-12
WR553166	2-2	WR55355	5-36	WR55410	3-1
WR55317	2-4	WR55355	5-37	WR55410	4-5
WR553182	7-1	WR55355	5-38	WR55410	4-15
WR55321	2-4	WR55355	5-39	WR55410	4-16
WR553212	4-18	WR55355	5-40	WR55410	7-1
WR553212	5-21	WR55355	5-41	WR55410	8-20
WR553212	5-23	WR55355	8-18	WR55410	8-23
WR553212	5-24	WR553557	1-2	WR55412	4-5
WR553212	5-28	WR553557	4-13	WR55414	2-6
WR553212	5-37	WR553557	5-45	WR55416	3-1
WR553212	5-39	WR553557	5-46	WR55417	3-1
WR553212	5-41	WR553557	5-48	WR55424	2-6
WR55323	5-1	WR553557	5-49	WR55424	2-10
WR55325	7-1	WR553557	5-53	WR55426	2-4
WR55330	2-4	WR553557	8-1	WR55427	2-4
WR55340	1-3	WR55362	2-2	WR55428	2-4
WR553425	2-14	WR553646	5-24	WR55429	2-4
WR55348	2-14	WR553646	5-28	WR55447	1-3
WR55349	4-15	WR553646	5-37	WR55454	3-1
WR55350	2-6	WR553646	5-39	WR55456	3-11
WR55351	2-19	WR55365	3-1	WR55463	4-10
WR55351	3-1	WR55365	3-8	WR55478	2-6
WR55351	4-17	WR55366	3-1	WR554855	2-19
WR55351	7-1	WR55366	4-17	WR55489	8-21
WR553514	3-1	WR553662	2-6	WR55495	5-29
WR55352	2-19	WR55367	5-32	WR55495	5-36
WR55352	4-5	WR55367	8-21	WR55504	6-43
WR55352	4-17	WR553689	5-14	WR55514	4-2
WR55352	5-12	WR553689	5-23	WR55519	4-2
WR55352	5-21	WR553689	5-36	WR55519	8-4
WR55352	5-23	WR55372	4-18	WR55533	4-2
WR55352	7-1	WR55372	5-14	WR55535	4-11
WR55352	8-22	WR55372	5-23	WR55536	4-11
WR55353	2-6	WR55372	5-36	WR55537	9-1
WR55353	2-11	WR55372	8-2	WR55540	9-1
WR55353	3-1	WR55383	5-38	WR55541	9-1
WR55353	3-8	WR55383	5-40	WR55545	9-1
WR55353	5-23	WR55385	4-3	WR55546	4-17
WR55353	8-18	WR55388	2-6	WR55547	9-1
WR55354	2-2	WR55388	3-1	WR55564	7-1
WR55354	2-14	WR553891	3-1	WR55570	5-8
WR55354	4-3	WR55394	2-4	WR55571	5-8
WR55354	4-18	WR553964	5-32	WR55578	9-1
WR55354	5-14	WR55397	5-25	WR555819	5-23
WR55354	5-23	WR553972	2-1	WR555819	8-9
WR55354	5-24	WR55400	2-1	WR555819	8-18
WR55354	5-28	WR55401	2-6	WR55582	5-1
WR55354	5-41	WR55401	2-11	WR55582	5-12
WR55355	5-14	WR55402	1-2	WR55582	5-21
WR55355	5-21	WR55404	4-5	WR55582	5-22

NUMERIC INDEX

PART NUMBER	PAGE	PART NUMBER	PAGE	PART NUMBER	PAGE
WR55582	5-35	WR55845	2-14	WR55906	8-5
WR55582	5-44	WR55852	5-30	WR55907	8-5
WR55582	5-45	WR55853	2-14	WR55908	8-2
WR55582	5-46	WR55856	5-12	WR559083	1-1
WR55582	5-47	WR55856	5-19	WR559083	3-14
WR55582	5-48	WR55857	5-13	WR559083	3-15
WR55582	5-49	WR55857	5-55	WR559083	8-18
WR55582	5-50	WR55858	5-54	WR55909	8-6
WR55582	5-53	WR55859	5-12	WR55910	8-2
WR55592	5-31	WR55859	5-22	WR559105	5-21
WR55592	5-34	WR55859	5-35	WR55911	8-7
WR55593	5-31	WR55859	5-44	WR55912	8-7
WR55593	5-34	WR55860	5-12	WR55913	8-7
WR55601	2-13	WR55860	5-22	WR55914	8-7
WR556103	2-14	WR55860	5-35	WR559148	3-1
WR55617	6-32	WR55860	5-44	WR55916	8-2
WR55624	7-1	WR55861	5-44	WR55917	8-2
WR55625	5-8	WR558648	4-12	WR55918	8-2
WR55627	2-5	WR55865	5-12	WR559180	2-14
WR55647	1-3	WR55865	5-22	WR55919	8-2
WR55648	7-1	WR55865	5-35	WR559199	5-23
WR55649	6-50	WR55865	5-43	WR559199	5-24
WR55650	7-1	WR55865	5-45	WR559199	5-28
WR55651	6-50	WR55865	5-46	WR559199	5-37
WR55652	6-50	WR55865	5-47	WR559199	5-39
WR55653	7-1	WR55865	5-48	WR559199	5-41
WR55654	2-1	WR55865	5-49	WR55920	8-2
WR55665	8-18	WR55866	5-1	WR559202	8-21
WR55688	5-24	WR55874	4-5	WR55921	5-24
WR55688	5-28	WR558788	3-1	WR55921	5-28
WR557668	5-38	WR55879	8-2	WR55922	2-6
WR557668	5-40	WR55880	8-2	WR55923	2-6
WR55783	2-4	WR55882	8-2	WR55924	2-7
WR55784	2-4	WR55883	8-2	WR55925	2-8
WR55790	7-1	WR55884	8-2	WR55926	2-7
WR55796	6-37	WR55885	8-2	WR55926	2-8
WR55797	6-37	WR55888	8-2	WR55927	2-7
WR55806	2-14	WR55889	8-4	WR55927	2-8
WR55811	2-12	WR55890	8-4	WR55929	8-3
WR55813	7-1	WR55891	8-4	WR55930	8-3
WR55819	4-5	WR55892	8-4	WR55931	8-3
WR55828	2-14	WR558923	2-14	WR55933	2-14
WR55829	7-1	WR55893	8-4	WR55935	8-21
WR55830	2-14	WR55894	8-4	WR55936	2-15
WR55831	7-1	WR55895	8-4	WR55937	2-15
WR55832	2-14	WR55896	8-4	WR55939	2-15
WR55834	2-14	WR55897	8-4	WR55940	2-15
WR55837	4-12	WR55898	8-4	WR559415	5-1
WR55837	6-50	WR55899	8-4	WR55961	5-1
WR55838	2-14	WR55900	8-4	WR55968	1-3
WR55839	2-14	WR55901	8-4	WR55969	2-3
WR55840	2-14	WR55902	8-2	WR55970	2-3
WR55841	2-14	WR55903	8-2	WR55971	2-3
WR55842	2-14	WR55904	8-2	WR55974	2-3
WR55843	1-2	WR55905	8-5	WR559768	1-3

NUMERIC INDEX

PART NUMBER	PAGE	PART NUMBER	PAGE	PART NUMBER	PAGE
WR559768	2-6	WR561683	2-6	WR562496	5-50
WR559768	2-11	WR561683	2-14	WR562496	5-53
WR55981	2-12	WR561683	4-1	WR562496	6-50
WR55988	5-38	WR561683	4-13	WR562496	7-1
WR55988	5-40	WR561683	5-9	WR562496	9-1
WR55990	5-38	WR561683	5-23	WR562551	1-4
WR55990	5-40	WR561683	7-1	WR562551	4-1
WR559911	3-1	WR561683	8-18	WR562551	5-23
WR55992	5-38	WR561808	5-32	WR562578	3-17
WR55992	5-40	WR561834	3-1	WR562639	3-1
WR55993	5-38	WR561879	3-11	WR562639	5-45
WR55993	5-40	WR561884	4-17	WR562639	5-46
WR55998	9-1	WR561892	1-2	WR562639	5-47
WR55999	9-1	WR561892	3-17	WR562639	5-48
WR56031	5-56	WR561892	5-14	WR562639	5-49
WR56043	5-13	WR561892	5-23	WR562639	5-50
WR56043	5-55	WR561892	5-25	WR562639	5-53
WR56044	5-13	WR561892	5-29	WR562639	7-1
WR56044	5-55	WR561892	5-32	WR562676	2-19
WR560693	2-10	WR561892	5-36	WR562676	5-45
WR560693	2-11	WR561892	5-38	WR562676	5-46
WR560693	3-1	WR561892	5-40	WR562676	5-47
WR560693	3-12	WR561892	8-21	WR562676	5-48
WR560693	3-16	WR562120	5-8	WR562676	5-49
WR560693	5-21	WR562171	4-17	WR562676	5-50
WR561081	2-4	WR562229	3-1	WR562676	5-53
WR561213	3-1	WR562270	2-19	WR562709	3-1
WR561229	5-1	WR562272	1-2	WR562793	7-1
WR561229	5-31	WR562327	7-1	WR562799	5-14
WR561229	5-34	WR562327	8-18	WR562799	5-23
WR561229	5-42	WR562346	3-1	WR562799	5-36
WR561229	8-16	WR562372	3-1	WR568276	4-11
WR561230	5-31	WR562375	1-2	WR568276	4-15
WR561230	5-34	WR562375	5-23	WR601411	2-14
WR561251	3-1	WR562375	5-36	WR601411	5-12
WR561251	5-38	WR562401	3-1	WR601411	5-22
WR561251	5-40	WR562401	3-12	WR601411	5-32
WR561310	2-6	WR562401	3-16	WR601411	5-35
WR561310	2-10	WR562401	5-21	WR601411	5-38
WR561384	3-1	WR562463	2-12	WR601411	5-40
WR561384	5-21	WR562463	2-14	WR601411	5-43
WR561391	2-6	WR562463	2-19	WR601411	5-44
WR561391	2-11	WR562496	3-1	WR601411	5-45
WR561391	3-1	WR562496	4-12	WR601411	5-46
WR561617	2-4	WR562496	4-18	WR601411	5-47
WR561617	4-17	WR562496	5-1	WR601411	5-48
WR561617	5-23	WR562496	5-20	WR601411	5-49
WR561617	7-1	WR562496	5-23	WR601411	5-50
WR561629	3-1	WR562496	5-31	WR601411	5-53
WR561629	5-21	WR562496	5-34	WR601411	8-1
WR561679	4-9	WR562496	5-45	WR601888	5-32
WR561679	4-17	WR562496	5-46	WR601888	5-45
WR561679	5-20	WR562496	5-47	WR601888	5-46
WR561683	2-1	WR562496	5-48	WR601888	5-47
WR561683	2-3	WR562496	5-49	WR601888	5-48

NUMERIC INDEX

PART NUMBER	PAGE	PART NUMBER	PAGE	PART NUMBER	PAGE
WR601888	5-49				
WR601888	5-50				
WR601888	5-53				
WR601950	4-16				
WR602639	5-25				
WR602639	5-29				
WR604172	8-4				
WR606258	5-14				
WR609614	7-1				
WR609614	7-2				
WR609615	7-1				
WR609615	7-2				
WR610409	7-1				
WR657904	5-1				
WR657904	5-12				
WR657904	5-22				
WR657904	5-35				
WR657904	5-44				
WR659764	2-4				
WR704757	3-6				
WR704757	3-7				
WR705777	2-18				
WR708307	3-12				
WR708307	3-16				
WR708307	5-21				
WR711022	2-4				
WR711273	1-4				
WR726175	5-13				
WR726175	5-55				
WR731972	2-14				
WR731972	4-15				
WR731972	5-14				
WR731972	5-23				
WR731972	5-36				
WR742876	5-1				
WR743773	2-4				
WR743774	2-4				



AGCO Corporation
4205 River Green Parkway
Duluth, GA 30096-2568

©AGCO Corporation, 2004.
Printed in U.S.A.