

DISC HARROWS



PARTS CATALOG

SUNFLOWER®

1544 FOUR SECTION DISC ATTACHMENTS

ALPHABETICAL INDEX

The complete alphabetical index appears at the beginning of this publication. It is used to locate major groups, assemblies and components.

NUMERICAL INDEX

The numerical index of this publication follows the Alphabetical Index at the beginning of the publication and indicates at which grid location and page number a part number appears.

ILLUSTRATIONS

All illustrations are located on the left hand page with the text on the right. Except for some common hardware, all parts are identified with an item number which corresponds to the item column on the text page. This is followed by the parts number, quantity and description.

HARDWARE

Common hardware not identified such as bolts, nuts, cotter pins and lube fittings, are listed indented in the text beneath the item to which they attach or fit. Common hardware listed indented beneath an item is NOT included unless specified. Example: (Incl. BOLT, LOCKWASHER AND NUT).

ORDERING PARTS

Be sure to refer to both the text and the illustration to assure ordering the correct part.

RECOMMENDED DEALER STOCK

A recommended dealer stock listing appears at the end of this publication.



1544 FOUR-SECTION DISC ATTACHMENTS

| | |
|--|----|
| RECOMMENDED DEALER LIST | |
| RECOMMENDED DEALER STOCK | 13 |
| 3 ROW COIL TINE | |
| ATTACHMENT SUBFRAME ASSEMBLY | 9 |
| DOUBLE ARM COIL TINE HARROW ASSEMBLY | 7 |
| 3 ROW SPIKE DRAG | |
| 3 ROW SPIKE DRAG ASSEMBLY | 11 |

INDEX

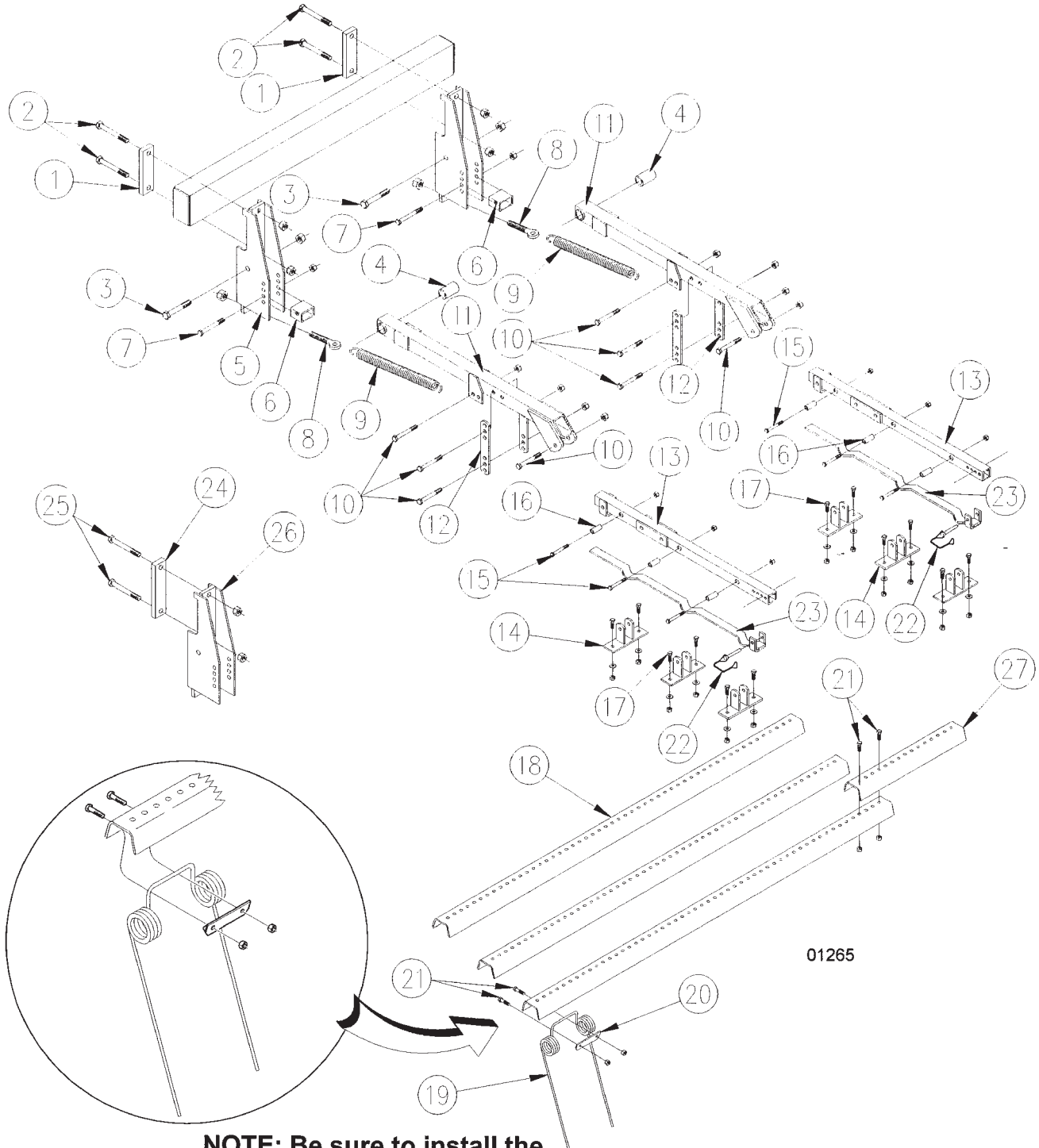
| Part No. | Page | Grid | Part No. | Page | Grid | Part No. | Page | Grid | Part No. | Page | Grid |
|----------|------|------|----------|------|------|----------|------|------|----------|------|------|
|----------|------|------|----------|------|------|----------|------|------|----------|------|------|

1544 FOUR-SECTION DISC ATTACHMENTS

| Part No. | Page | Grid | Part No. | Page | Grid | Part No. | Page | Grid | Part No. | Page | Grid |
|----------|------|------|----------|------|------|----------|------|------|----------|------|------|
|----------|------|------|----------|------|------|----------|------|------|----------|------|------|

1544 4 SECTION FLEXIBLE DISC ATTACHMENTS
3 ROW COIL TINE

DOUBLE ARM COIL TINE HARROW ASSEMBLY



NOTE: Be sure to install the tooth clip with the folded lip to the bottom, and towards the front of machine.

1544 4 SECTION FLEXIBLE DISC ATTACHMENTS

7

3 ROW COIL TINE

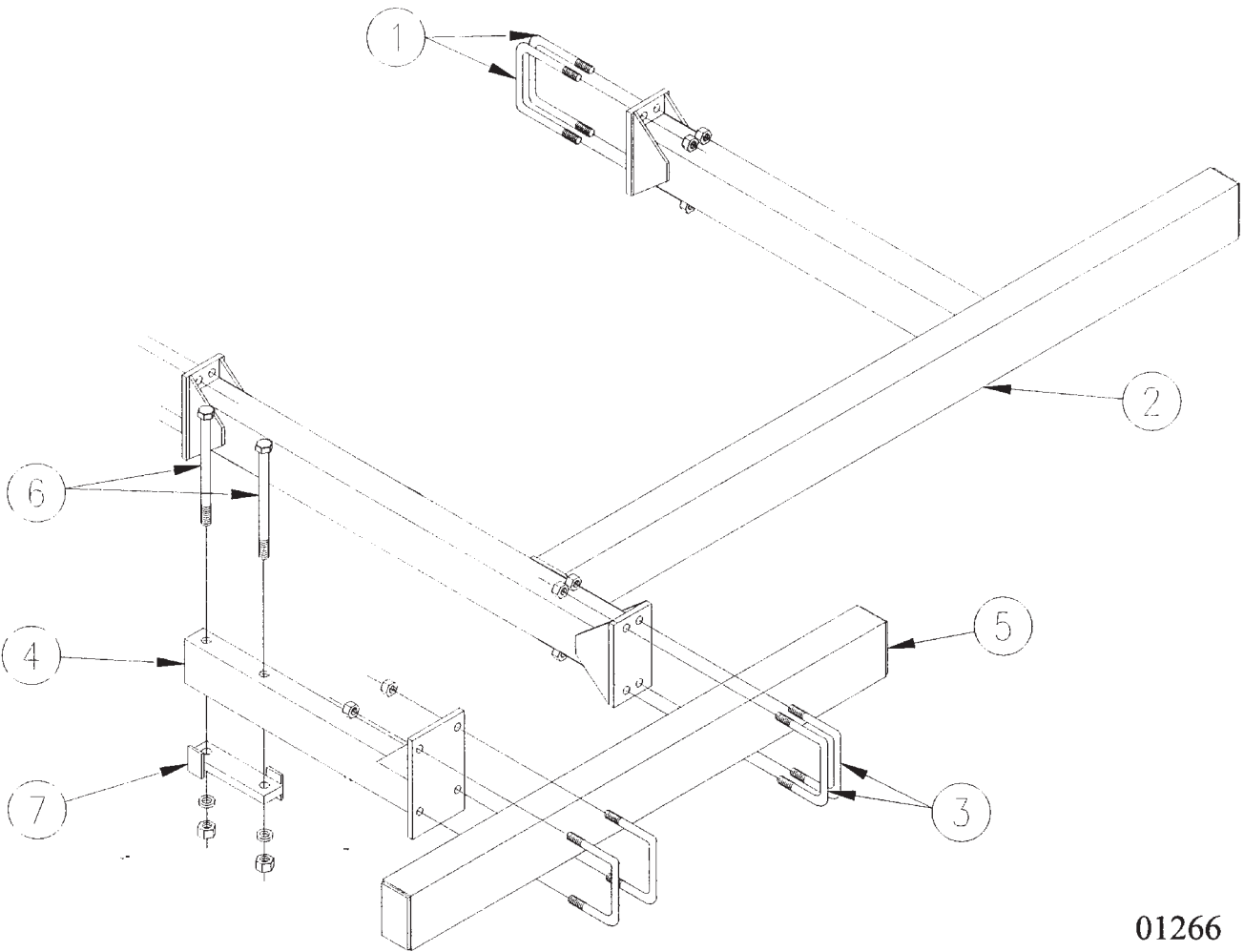
DOUBLE ARM COIL TINE HARROW ASSEMBLY

| ITEM | NUMBER QTY | DESCRIPTION |
|------|------------|--|
| 1 | SN3962 | 2 HOLE CLAMP PLATE, 7 3/16" L. (WING FRAMES) |
| 2 | SN2097 | 5/8" X 5 1/2" HEX BOLT (WING FRAMES) |
| | SN669-1 | 5/8" LOCK NUT |
| 3 | SN3065 | 5/8" X 4" HEX BOLT |
| | SN669-1 | 5/8" LOCK NUT |
| 4 | SN3635 | PIVOT BUSHING, 2 1/2" LONG |
| 5 | SN5746 | HARROW MOUNT, 5" FRAME (WING FRAMES) |
| 6 | SN3629 | ARM STOP |
| 7 | SN3371 | 1/2" X 4" HEX BOLT |
| | SN2096 | 1/2" LOCK NUT |
| 8 | SN5731 | EYE BOLT, 3/4" X 4 1/2" |
| | SNHEN3410 | 3/4" LOCK NUT |
| 9 | SN5732 | SPRING, 1.40" O.D. X .82" I.D., 16 1/4" L. |
| 10 | SN1507 | 1/2" X 3 1/2" HEX BOLT |
| | SN2096 | 1/2" LOCK NUT |
| 11 | SN5722R | TINE CARRIER ARM, DOUBLE (11" ROW SPACE SHOWN) |
| | SN5890 | TINE CARRIER ARM, DOUBLE, LONG (15" ROW SPACE) |
| 12 | SN5727 | ANGLE LINK |
| 13 | SN5729 | HARROW SUBFRAME (11' ROW SPACE SHOWN) |
| | SN7908 | HARROW SUBFRAME, 3 ROW (15" ROW SPACE) |
| 14 | SN5723 | TINE BAR PIVOT |
| 15 | SN4738 | 3/8" X 2 3/4" HEX BOLT |
| | SN3566 | 3/8" CENTER LOCK NUT |
| 16 | SN5730 | PIVOT BUSHING |
| 17 | SN178 | 3/8" X 1" HEX BOLT |
| | SN317 | 3/8" FLAT WASHER |
| | SN3566 | 3/8" LOCK NUT |
| 18 | SN3609 | 52 1/2" TINE CHANNEL |
| | SN3610 | 67 1/2" TINE CHANNEL |
| | SN3611 | 82 1/2" TINE CHANNEL |
| 19 | SN5715 | 16" HARROW TOOTH |
| 20 | SN3621 | TOOTH CLIP |
| 21 | SN175 | 3/8" X 1 1/2" HEX BOLT |
| | SN3567 | 3/8" NYLON LOCK NUT |
| 22 | SN3557 | 3/8" X 2 1/2" QUICK PIN |
| 23 | SN5724 | TINE ANGLE ADJUSTMENTSTOP (11" ROW SPACE SHOWN) |
| | SN7907 | TINE ANGLE ADJUSTMENT STOP (15" ROW SPACE) |
| 24 | SN7009 | 2 HOLE CLAMP PLATE, 8 13/16" L. (CENTER FRAMES) |
| 25 | SN1672 | 5/8" X 6" HEX BOLT (CENTER FRAMES) |
| | SN699-1 | 5/8" LOCK NUT |
| 26 | SN6993 | HARROW MOUNT, 6" FRAME, 2 1/2" W. (CENTER FRAMES) |
| 27 | SN3859 | HARROW CONNECTOR |

I0001265
PR: t05g29j23d0001

1544 4 SECTION FLEXIBLE DISC ATTACHMENTS
3 ROW COIL TINE

ATTACHMENT SUBFRAME ASSEMBLY



01266

1544 4 SECTION FLEXIBLE DISC ATTACHMENTS
3 ROW COIL TINE

9

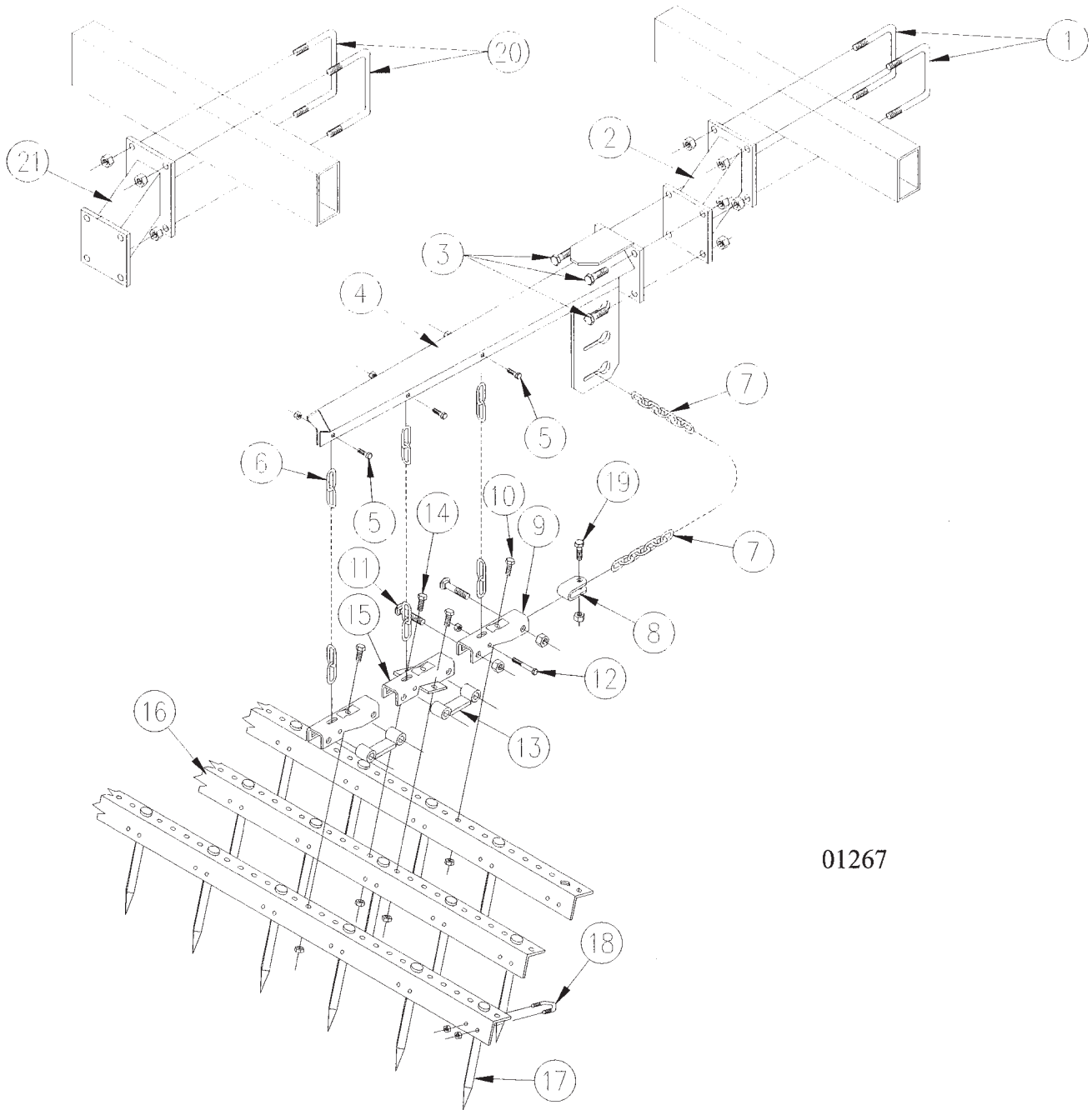
ATTACHMENT SUBFRAME ASSEMBLY

| ITEM | NUMBER | QTY | DESCRIPTION |
|------|---------|-----|------------------------------------|
| 1 | SN3763 | | 3/4" X 5 3/4" X 6 3/4" W. U-BOLT |
| | SN1040 | | 3/4" LOCK WASHER |
| | SN106 | | 3/4" HEX NUT |
| 2 | SN7005 | | 75 5/8" ATTACHMENT SUBFRAME |
| 3 | SN2815 | | 5/8" X 4 1/2" X 5 11/16" W. U-BOLT |
| | SN669-1 | | 5/8" LOCK NUT |
| 4 | SN7008 | | 26 13/16" ATTACHMENT SUBFRAME |
| 5 | SN7007 | | 53" TOOL BAR |
| | SN7006 | | 67" TOOL BAR |
| 6 | SN1951 | | 3/4" X 9 1/2" HEX BOLT |
| | SN1040 | | 3/4" LOCK WASHER |
| | SN106 | | 3/4" HEX NUT |
| 7 | SN6189 | | CLAMP PLATE |

I0001266
PR: t05g29j23d0002

1544 4 SECTION FLEXIBLE DISC ATTACHMENTS
3 ROW SPIKE DRAG

3 ROW SPIKE DRAG ASSEMBLY



01267

1544 4 SECTION FLEXIBLE DISC ATTACHMENTS
3 ROW SPIKE DRAG

11

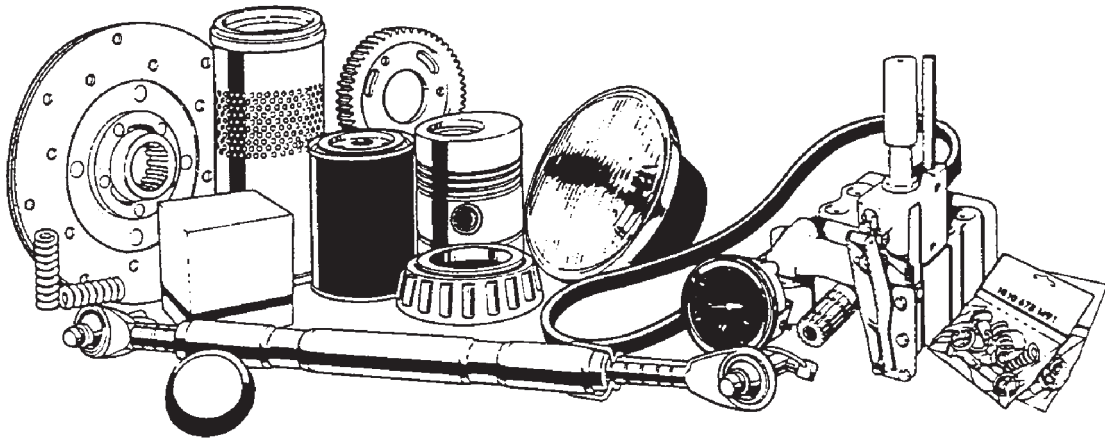
3 ROW SPIKE DRAG ASSEMBLY

| ITEM | NUMBER | QTY | DESCRIPTION |
|------|---------|-----|---|
| 1 | SN2815 | | 5/8" X 4 1/2" X 5 11/16" W. U-BOLT (WING FRAMES) |
| | SN669-1 | | 5/8" LOCK NUT |
| 2 | SN6334 | | EXTENSION, 5" FRAME |
| 3 | SN670 | | 5/8" X 2" HEX BOLT |
| | SN699-1 | | 5/8" LOCK NUT |
| 4 | SN3974 | | 3 ROW SPIKE TOOTH ARM |
| 5 | SN3984 | | 3/8" X 1 1/4" HEX BOLT |
| | SN3567 | | 3/8" LOCK NUT |
| 6 | SN5531 | | CHAIN, 12 LINK |
| 7 | SN3983 | | 5/16" PROOF CHAIN, 25 LINK |
| 8 | SN7013 | | U-CLIP |
| 9 | SN3977 | | BAR BRACKET |
| 10 | SN112 | | 1/2" X 2 1/2" HEX BOLT |
| | SN2096 | | 1/2" LOCK NUT |
| 11 | SN3985 | | 5/8" X 3" CARRIAGE BOLT |
| | SN669-1 | | 5/8" LOCK NUT |
| 12 | SN4738 | | 3/8" X 2 3/4" HEX BOLT |
| | SN3567 | | 3/8" LOCK NUT |
| 13 | SN3976 | | OFFSET LINK |
| 14 | SN1823 | | 1/2" X 1 1/4" HEX BOLT |
| | SN2096 | | 1/2" LOCK NUT |
| 15 | SN3979 | | DOUBLE BAR BRACKET |
| 16 | SN3967 | | 5' SPIKE TOOTH BAR, 7 TOOTH |
| | SN3968 | | 6 1/2' SPIKE TOOTH BAR, 9 TOOTH |
| | SN3970 | | 9 1/2' SPIKE TOOTH BAR, 13 TOOTH |
| 17 | SN3895 | | SPIKE TOOTH |
| 18 | SN3894 | | TRI-BEND BOLT, 3/8" X 1 1/2" |
| | SN3567 | | 3/8" LOCK NUT |
| 19 | SN2045 | | 1/2" X 1 3/4" HEX BOLT |
| | SN2096 | | 1/2" LOCK NUT |
| 20 | SN3763 | | 3/4" X 5 3/4" X 6 3/4" W. U-BOLT (CENTER FRAMES) |
| | SN1040 | | 3/4" LOCK WASHER |
| | SN106 | | 3/4" HEX NUT |
| 21 | SN7004 | | EXTENSION, 6" FRAME |

I0001267
PR: t05g29j23d0003

RECOMMENDED DEALER STOCK

RECOMMENDED DEALER'S STOCK



1544 4 SECTION FLEXIBLE DISC ATTACHMENTS
RECOMMENDED DEALER LIST

13

RECOMMENDED DEALER STOCK

| ITEM | NUMBER | QTY | DESCRIPTION |
|------|--------|-----|---------------------------------|
| - | SN5715 | 8 | 16" HARROW TOOTH |
| - | SN5731 | 2 | EYE BOLT, 3/4" X 4 1/2" |
| - | SN3976 | 2 | OFFSET LINK |
| - | SN5730 | 2 | PIVOT BUSHING |
| - | SN3635 | 2 | PIVOT BUSHING, 2 1/2" LONG |
| - | SN3895 | 8 | SPIKE TOOTH |
| - | SN5732 | 2 | SPRING, 1.40" O.D. X .82" I.D., |
| - | SN3621 | 8 | TOOTH CLIP |
| - | SN3894 | 8 | TRI-BEND BOLT, 3/8" X 1 1/2" |
| - | SN7013 | 2 | U-CLIP |

NOTE: THIS PARTS STOCK LIST
INDICATES THOSE ITEMS RECOMMENDED
TO SERVICE ONE UNIT.

RDL
PR: t05g29j23d0004