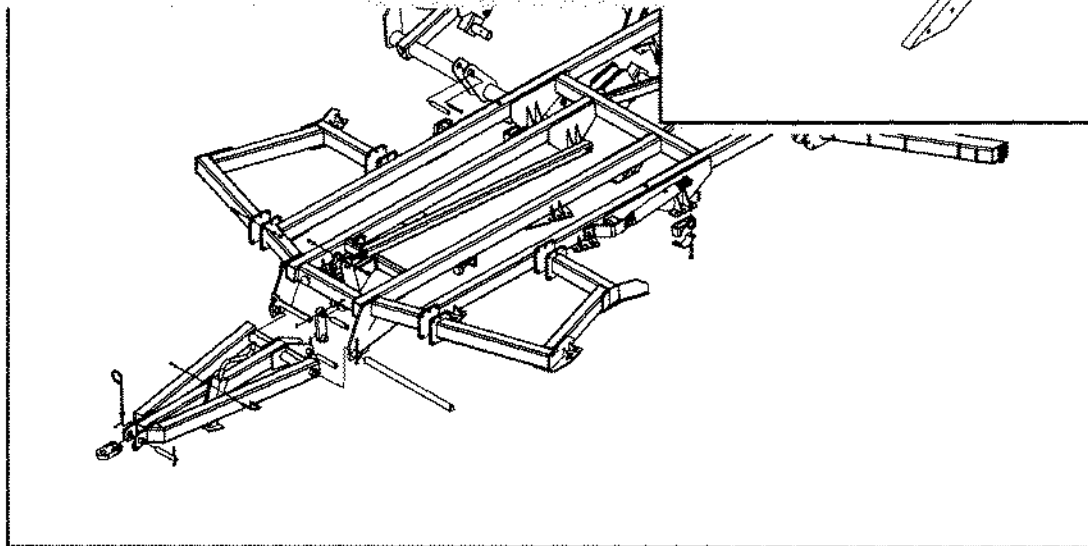
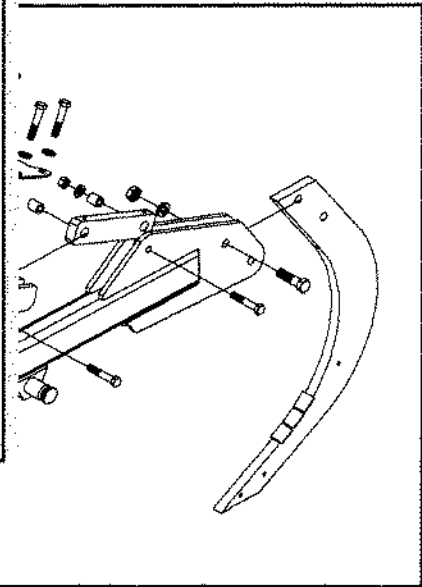
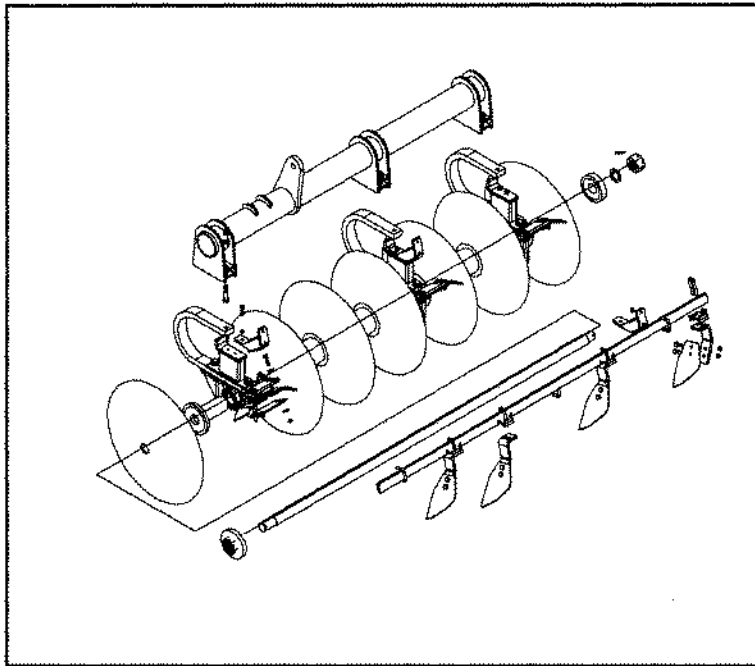




WIL-RICH

957 DISK RIPPER PARTS



ALL SERIAL NUMBERS

PRINTED IN USA (74228) WR-100 6/06



P.O. Box 1030 Wahpeton, ND 58074

PH.(701)642-2621

Parts Fax (701)642-3819

WARRANTY

The only warranty Wil-Rich gives and the only warranty the dealer is authorized to give is as follows:

We warrant products sold by us to be in accordance with our published specifications or those specifications agreed to by us in writing at time of sale. Our obligation and liability under this warranty is expressly limited to repairing, or replacing, at our option, within 12 months after date of retail delivery, any product not meeting the specifications. ***We make no other warranty, express or implied and make no warranty of merchantability or of fitness for any particular purpose.*** Our obligation under the warranty shall not include any transportation charges or costs or installation or any liability for direct, indirect or consequential damage or delay. If requested by us, products or parts for which a warranty claim is made are to be returned transportation prepaid to our factory. Any improper use, operation beyond rated capacity, substitution of parts not approved by us, or any alteration or repair by others in such manner as in our judgment affects the product materially and adversely shall void this warranty. ***No employee or representative is authorized to change this warranty in any way or grant any other warranty.***

Wil-Rich reserves the right to make improvement changes on any of our products without notice.

When warranty limited or not applicable: Warranty on hoses, cylinders, hubs, spindles, engines, valves, pumps or other trade accessories are limited to the warranties made by the respective manufactures of these components. Rubber tires and tubes are warranted directly by the respective tire manufacturer only, and not by Wil-Rich.

Warranty does not apply to any machine or part which has been repaired or altered in any way so as in the our judgment to affect its reliability, or which has been subject to misuse, negligence or accident.

A Warranty Validation and Delivery Report Form must be filled out and received by Wil-Rich to initiate the warranty coverage.

WARRANTY CLAIMS PROCEDURE

1. The warranty form must be returned to Wil-Rich within fifteen (15) working days from the repair date.
2. Parts returned to Wil-Rich without authorization will be refused. The parts must be retained at the dealership for ninety (90) days after the claim has been filed. If the Service Department would like to inspect the parts, a packing slip will be mailed to the dealer. The packing slip must be returned with the parts. The parts must be returned prepaid within thirty (30) days of receiving authorization. After the parts are inspected and warranty is verified, credit for the return freight will be issued to the dealer.
3. Parts that will be scrapped at the dealership will be inspected by Wil-Rich Sales Representatives, District Sales Managers or Service Representatives within the ninety (90) day retaining period.

ORIENTATION

Any reference to left (L) or right (R) sides or components is to be understood as being viewed from behind the implement and looking forward.

SERIAL NUMBER BREAK

Every implement has a serial number located on the frame. These serial numbers are consecutively assigned to the implements as they are manufactured. To aid in part ordering, we reference the serial number at the point the change occurred to provide an accurate means of determining the proper parts.

MODIFICATIONS

It is the policy of Wil-Rich Operations to improve its products whenever possible and practical to do so. We reserve the right to make changes, improvements, and modifications at any time without incurring the obligation to make such changes, improvements and modifications on any equipment sold previously.

ABBREVIATIONS

ASSY	Assembly
BLD	Blade
BRKT	Bracket
CTR	Center
GR	Grade of Bolt
HD	Heavy Duty
HDWE	Hardware
MF	Main frame
MTG	Mounting
NC ..	National Coarse Thread
NF	National Fine Thread
RR	Right Rear
LR	Left Rear
LF	Left Front
RF	Right Front
RH	Right Hand
LH	Left Hand

Contents

WARRANTY	2
ORIENTATION	3
MODIFICATIONS	3
ABBREVIATIONS	3
MAIN FRAME	4,5
LIFT COMPONENTS	6
GANG ASSEMBLY	7,8
GANG DEPTH INDICATOR ...	9
DISK GANG ASSEMBLY .	10,11
SINGLE BLADE ADD ON	12
SHANK ASSEMBLY	13
RIPPER POINTS	14
TRASH BOARDS	15
HYDRAULICS	16,17
3x12 CYLINDER	18
4x16 CYLINDER	19
WALKING TANDEM	20
SINGLE TIRE AXLE	21
3" HUB, SPINDLE, TIRE	22
TIRE	23
2-1/2" HUB & SPINDLE	23
HARROW ASSEMBLY	24-28
DECALS	29
SAFETY LIGHTS	30

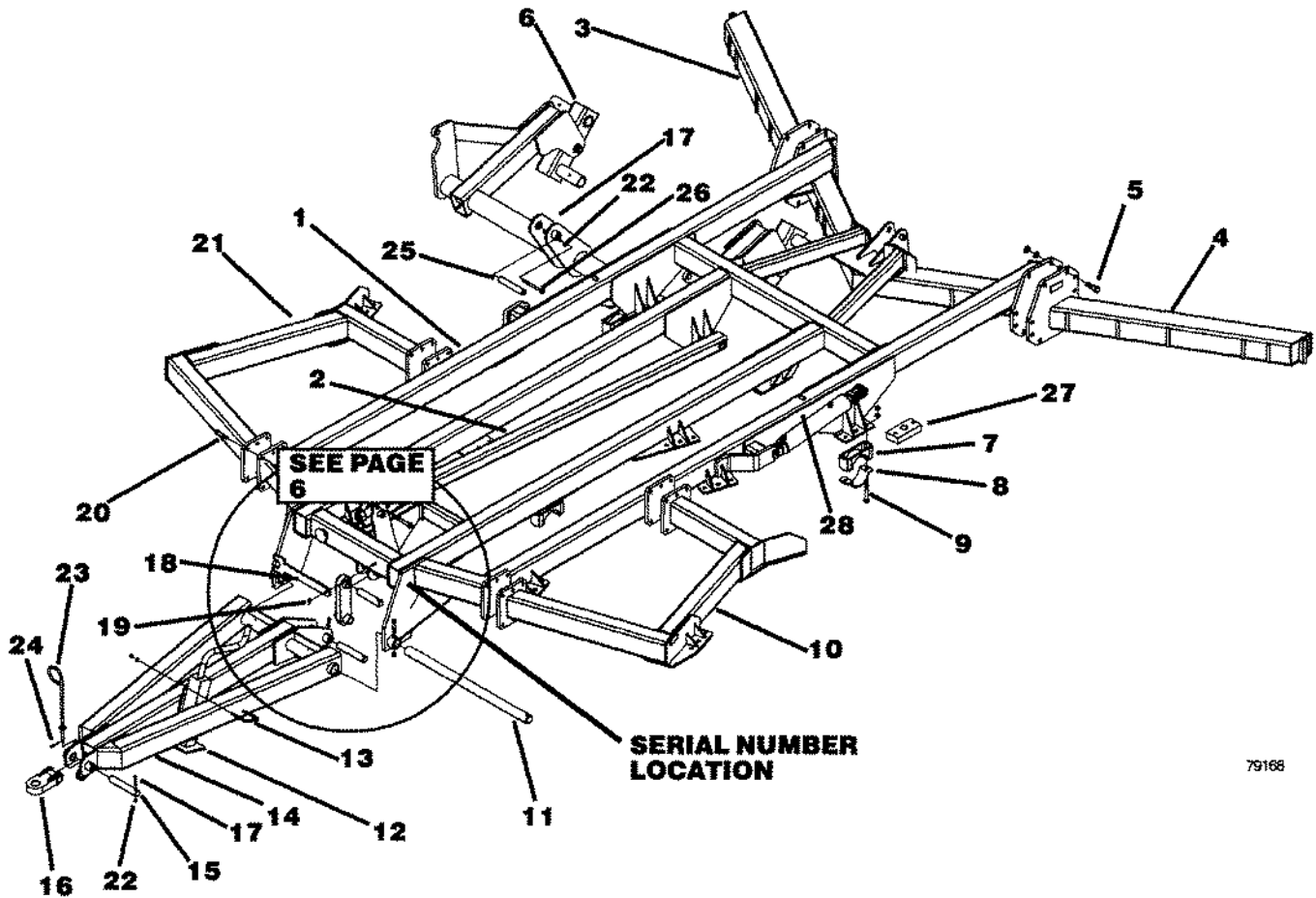
NOTE: Standard nuts and lock washers are not called out. Anything other than standard will be called out.

STANDARD NUTS AND LOCK WASHERS

88172 1/4NC Nut	88262 1/4 Lock Washer
88103 3/8NC Nut	88362 3/8 Lock Washer
88104 1/2NC Nut	88303 1/2 Lock Washer
88126 5/8NC Nut	88129 5/8 Lock Washer
88110 3/4NC Nut	88130 3/4 Lock Washer
88371 7/8NC Nut	88341 7/8 Lock Washer

MAIN FRAME

SERIAL #'S 453553-454976



79168

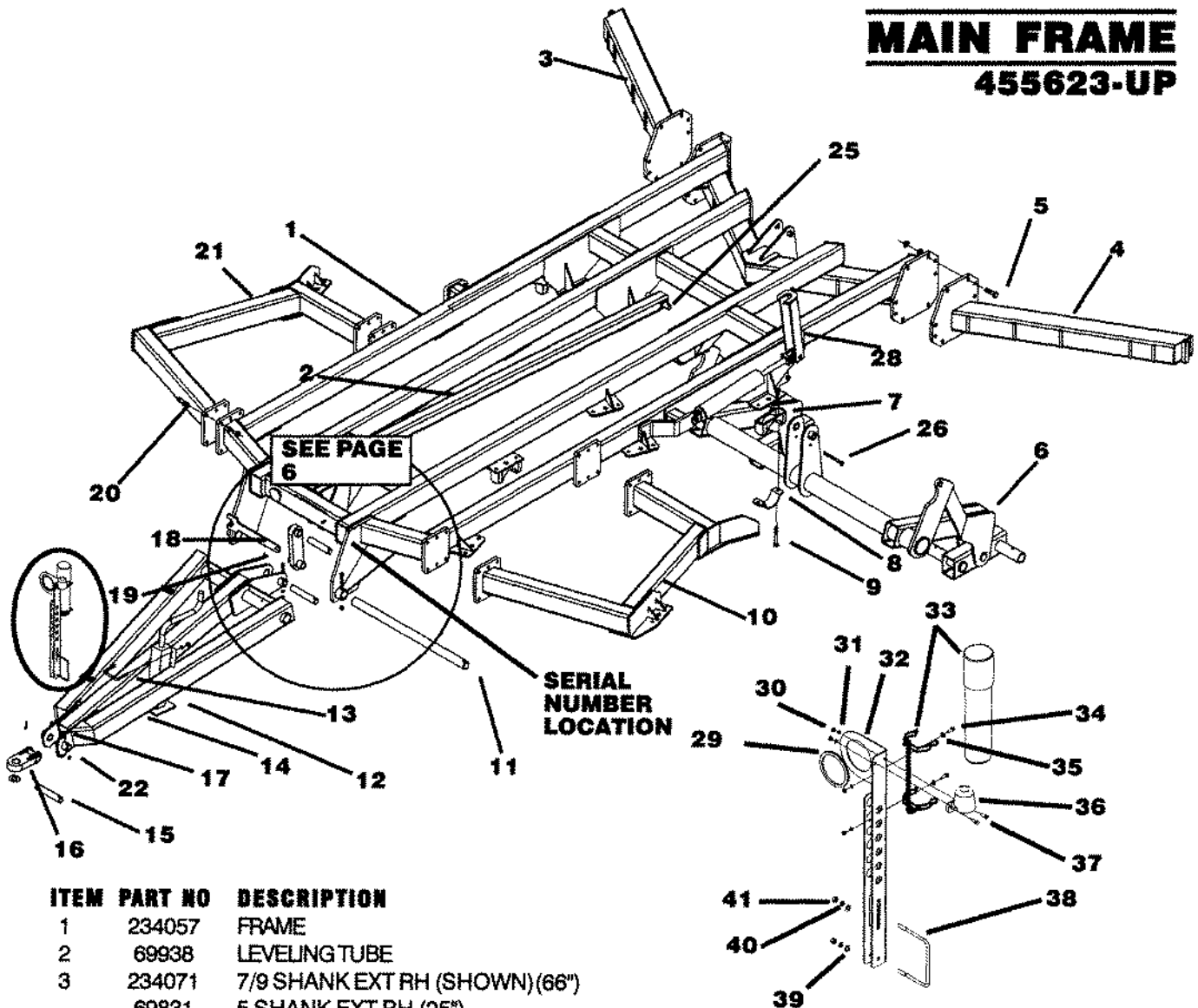
ITEM PART NO DESCRIPTION

1	222317	FRAME
2	69938	LEVELING TUBE
3	69829	7/9 SHANK EXT RH (SHOWN)(66")
	69831	5 SHANK EXT RH (25")
	221824	7-24 SHANK EXT RH (39")
4	69832	7/9 SHANK EXT LH (SHOWN)(66")
	69834	5 SHANK EXT LH (25")
	221825	7-24 SHANK EXT LH (39")
5	88447	1NCx3-1/2 GR5 BOLT
6	221978	FRAME AXLE
7	221098	AXLE CLAMP BASE
8	221097	AXLE CLAMP CAP
	88263	GREASE ZERK LONG
	88528	GREASE ZERK SHORT
9	88293	3/4NCx6 GR5 BOLT
	88403	3/4NCx8 GR5 BOLT (USED WITH ITEM 27)
10	69841	RH DISK EXTENSION (7/9 BLADE)
	69895	RH DISK EXTENSION (5 BLADE)
11	69950	HITCH PIN (2-1/2x46)
12	49388	4x4 POLE JACK

ITEM PART NO DESCRIPTION

13	88145	5/8NCx4 x5-1/4 U-BOLT
14	69910	HITCH WELDMENT
15	69948	PIN (1-3/4x10)
16	69917	TONGUE WELD
17	88531	3/8NCx3 GR5 BOLT
18	69943	WRENCH
19	88645	HAIRPIN CLIP 3/16DIAx1-1/4
20	88111	3/4NCx3-1/2 GR5 BOLT
21	69840	LH DISK EXTENSION (7/9 BLADE)
	69896	LH DISK EXTENSION (5 BLADE)
22	88162	3/8NC LOCK NUT
23	21527	HOSE BRACKET
24	23039	HAIRPIN COTTER 2.69
25	69921	PIN (1-1/2x8-7/32)
26	88383	5/8NCx7 GR5 BOLT
27	234060	BEARING OFFSET TUBE
28	222260	TRANSPORT LOCK

MAIN FRAME 455623-UP

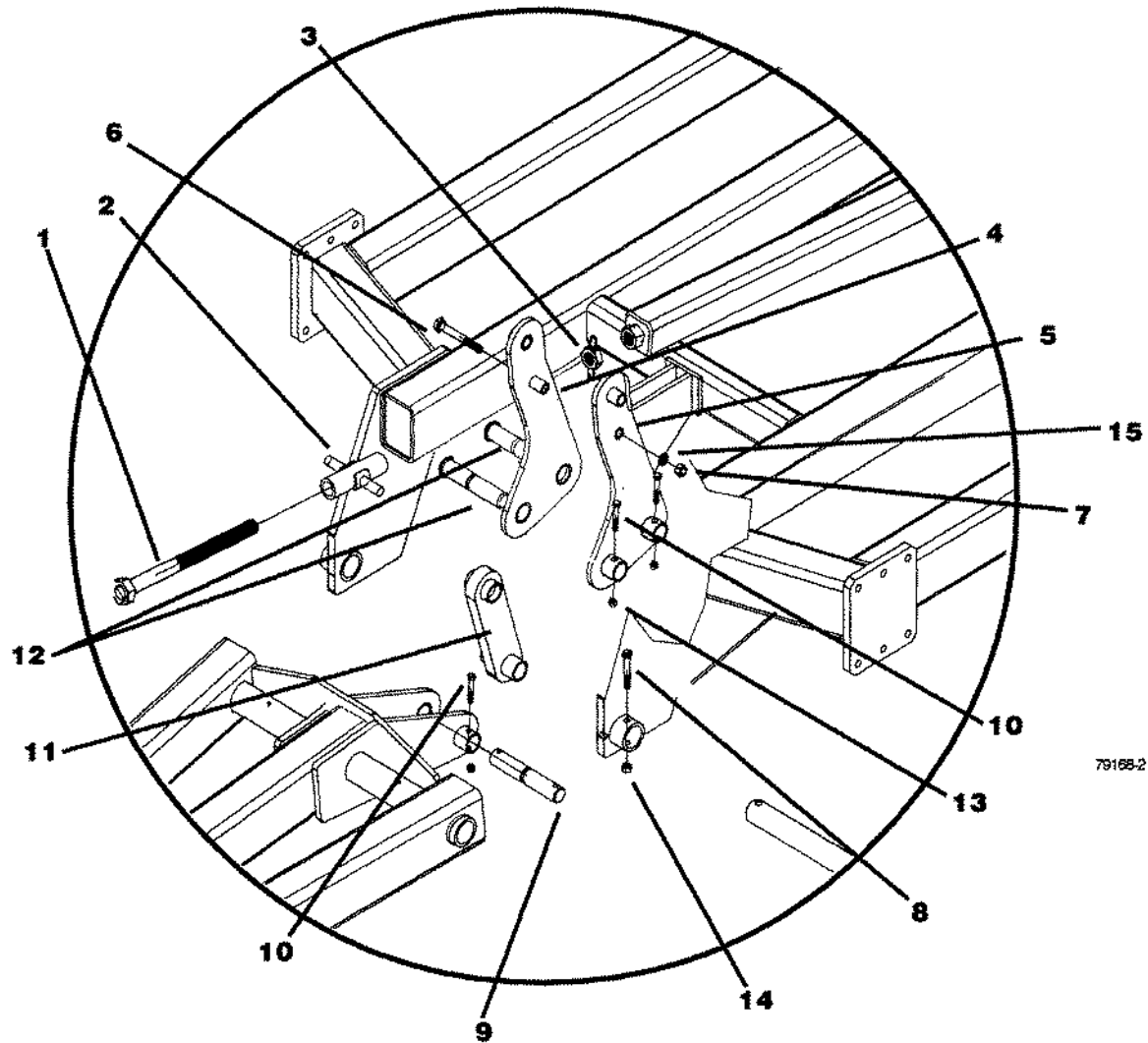


ITEM	PART NO	DESCRIPTION
1	234057	FRAME
2	69938	LEVELING TUBE
3	234071	7/9 SHANK EXT RH (SHOWN)(66")
	69831	5 SHANK EXT RH (25")
	221824	7-24 SHANK EXT RH (39")
4	234070	7/9 SHANK EXT LH (SHOWN)(66")
	69834	5 SHANK EXT LH (25")
	221825	7-24 SHANK EXT LH (39")
5	88447	1NCx3-1/2 GR5 BOLT
6	221978	FRAME AXLE
7	221098	AXLE CLAMP BASE
8	221097	AXLE CLAMP CAP
9	88293	3/4NCx6 GR5 BOLT
10	69841	RH DISK EXTENSION (7/9 BLADE)
	69895	RH DISK EXTENSION (5 BLADE)
11	69950	HITCH PIN (2-1/2x46)
12	236176	4x4 POLE JACK W/ FIXED LEG
13	88145	5/8NCx4 x5-1/4 U-BOLT
14	233576	LONG HITCH WELDMENT
15	69948	PIN (1-3/4x10)
16	69917	TONGUE WELD
17	88940	1/2NCx3 GR8 BOLT
18	69943	WRENCH
19	23039	HAIRPIN COTTER 2.69
20	88111	3/4NCx3-1/2 GR5 BOLT

ITEM	PART NO	DESCRIPTION
21	69840	LH DISK EXTENSION (7/9 BLADE)
	69896	LH DISK EXTENSION (5 BLADE)
22	88363	1/2NC LOCK NUT
25	69921	PIN (1-1/2x8-7/32)
26	88383	5/8NCx7 GR5 BOLT
28	234834	TRANSPORT LOCK
29	236092	RUBBER EDGING
30	88172	1/4NC NUT
31	88262	1/4 LOCK WASHER
32	236142	HYD BRACKET
33	234313	MANUAL TUBE W/ HOLDER
34	88993	1/4NCx3/4 BOLT
35	88261	1/4 FLAT WASHER
36	223329	LIGHT PLUG HOLDER
37	88203	1/4NCx1 BOLT
38		
39	88282	3/8 FLAT WASHER
40	88362	3/8 LOCK WASHER
41	88103	3/8NC NUT

LIFT COMPONENTS

ALL SERIAL NUMBERS



79168-2

2000-2003

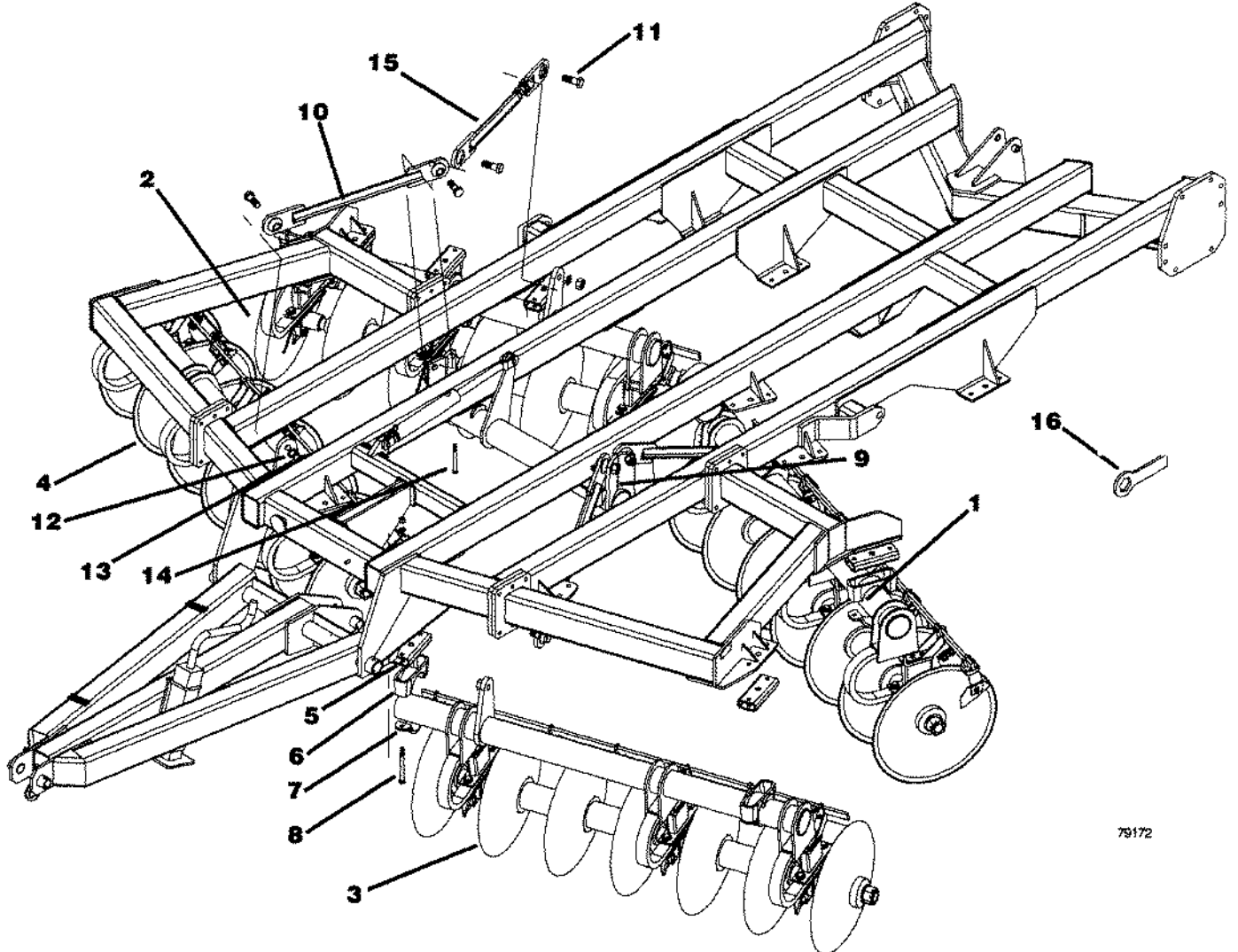
ITEM	PART NO	DESCRIPTION
1	69939	LEVELING ADJUSTMENT BOLT
2	69936	LEVELING HORN
3	69941	LEVELING NUT WELDMENT
4	69928	LEVELING ARM RH
5	69927	LEVELING ARM LH
6	88293	3/4NCx6 GR5 BOLT
7	88110	3/4NC NUT
8	88298	5/8NCx4 GR5 BOLT
9	69948	PIN (1-3/4x10)
10	88541	1/2NCx3 GR5 BOLT
11	69944	LEVELING LINK
12	69976	PIN 1-3/4x9
13	88304	1/2NC LOCK NUT
14	88369	5/8NC LOCK NUT
15	88130	3/4 LOCK WASHER

2004-CURRENT

ITEM	PART NO	DESCRIPTION
1	69939	LEVELING ADJUSTMENT BOLT
2	69936	LEVELING HORN
3	69941	LEVELING NUT
4	222986	LEVELING ARM RH
5	222987	LEVELING ARM LH
6	88293	3/4NCx6 GR5 BOLT
7	88110	3/4NC NUT
8	88298	5/8NCx4 GR5 BOLT
9	69948	PIN 1-3/4x10
10	88940	1/2NCx3 GR8 BOLT
11	69944	LEVELING LINK
12	69976	PIN 1-3/4x9
13	88363	1/2NC LOCK NUT
14	88369	5/8NC LOCK NUT
15	88130	3/4 LOCK WASHER

GANG ASSEMBLY

SERIAL #'S 453553-454976



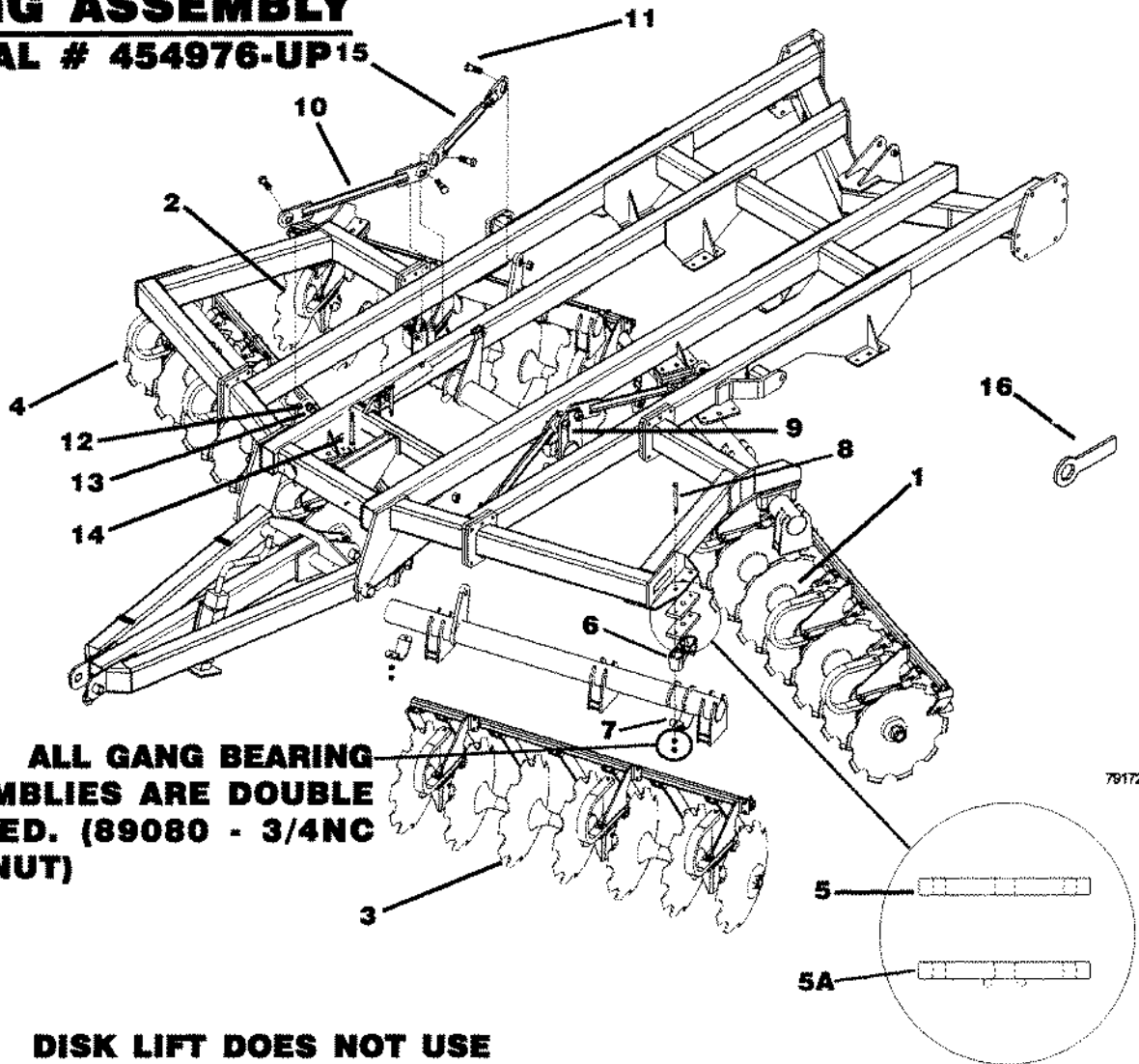
79172

ITEM	PART NO	DESCRIPTION
1	220684	GANG ASSY 7-28 LR W/SCRAPER
	220698	GANG ASSY 5-28 LR W/SCRAPER
2	220685	GANG ASSY 7-28 RR W/SCRAPER
	220699	GANG ASSY 5-28 RR W/SCRAPER
3	220682	GANG ASSY 7-28 LF W/SCRAPER
	220740	GANG ASSY 5-28 LF W/SCRAPER
4	220683	GANG ASSY 7-28 RF W/SCRAPER
	220741	GANG ASSY 5-28 RF W/SCRAPER
5	234060	BEARING OFFSET TUBE
6	221098	AXLE CLAMP BASE
7	221097	AXLE CLAMP CAP
	88263	GREASE ZERK
	234066	GREASE ZERK EXTENTION
	234067	COUPLER 1/8"

ITEM	PART NO	DESCRIPTION
8	88403	3/4NCx8 GR5 BOLT
9	69964	DISK LIFT
10	69977	TIE ROD
11	89029	1-1/4NCx4 GR5 BOLT
13	88430	1-1/4NC LOCK NUT
14	88293	3/4NCx6 GR5 BOLT
15	222061	ADJUSTABLE LINK ASSEMBLY
	222058	PIVOT LINK
	222065	LINK ARM
	88622	1-1/4 NC JAM NUT
16	222249	957 DISC GANG WRENCH

GANG ASSEMBLY

SERIAL # 454976-UP¹⁵



79172

NOTE: ALL GANG BEARING ASSEMBLIES ARE DOUBLE NUTTED. (89080 - 3/4NC GR8 NUT)

NOTE: DISK LIFT DOES NOT USE BEARING OFFSET PLATES.

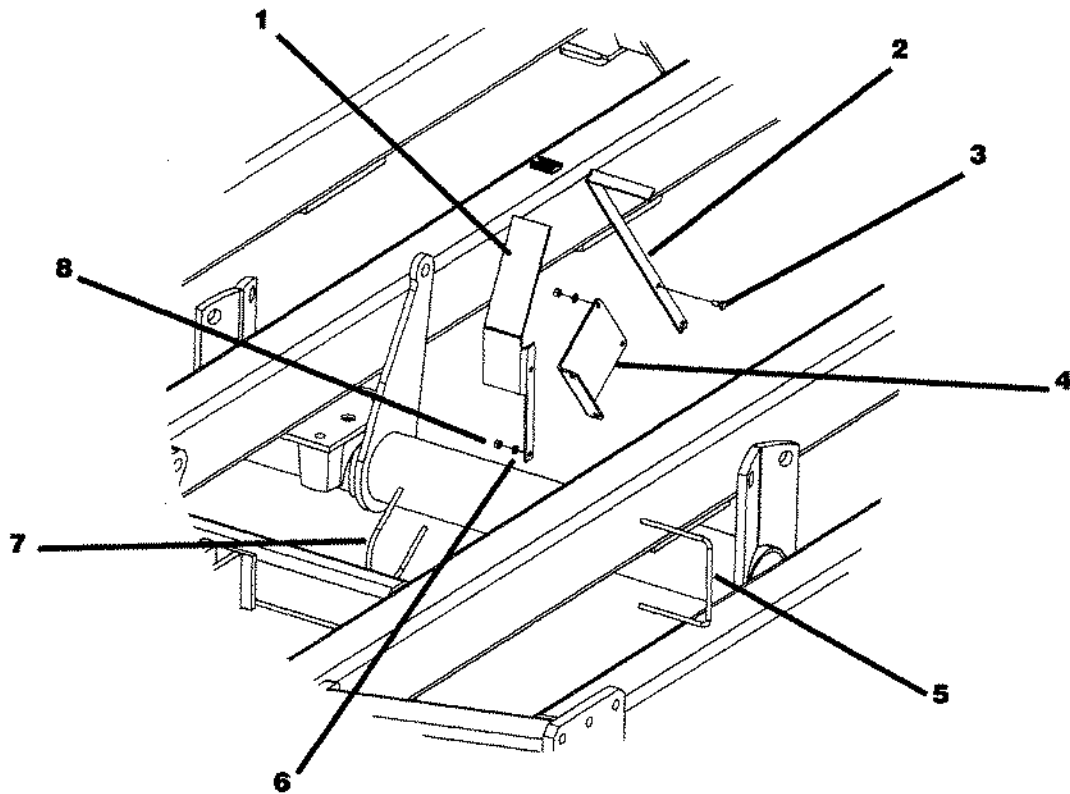
NOTE: IF USING ONLY ONE OFF-SET PLATE, THE BOTTOM PLATE MUST BE USED.

ITEM	PART NO	DESCRIPTION
1	223306	GANG ASSY 7-28 LR W/SCRAPER
	234013	GANG ASSY 6-28 LR W/ SCRAPER
	223302	GANG ASSY 5-28 LR W/SCRAPER
	223307	GANG ASSY 7-28 RR W/SCRAPER
2	234014	GANG ASSY 6-28 RR W/ SCRAPER
	223303	GANG ASSY 5-28 RR W/SCRAPER
	223304	GANG ASSY 7-28 LF W/SCRAPER
3	234015	GANG ASSY 6-28 LF W/ SCRAPER
	223316	GANG ASSY 5-28 LF W/SCRAPER
	223305	GANG ASSY 7-28 RF W/SCRAPER
	234012	GANG ASSY 6-28 RF W/ SCRAPER
4	223301	GANG ASSY 5-28 RF W/SCRAPER
	234060	DISK GANG SHIM TOP
	5A	235753
6	221098	AXLE CLAMP BASE
	88263	GREASE ZERK
	234066	GREASE ZERK EXTENTION
	234067	COUPLER 1/8"
7	221097	AXLE CLAMP CAP

ITEM	PART NO	DESCRIPTION
8	89409	3/4NCx7 GR8 BOLT (NO PLATES)
	89408	3/4NCx8 GR8 BOLT (1 PLATES)
	89092	3/4NCx9 GR8 BOLT (2 PLATES)
9	234058	DISK LIFT
10	69977	TIE ROD
11	222982	1-1/4NCx4 GR5 BOLT
13	88350	1-1/4NC LOCK NUT
14	88293	3/4NCx6 GR5 BOLT
15	222061	ADJUSTABLE LINKASSEMBLY
	222058	PIVOT LINK
	222065	LINK ARM
	88622	1-1/4 NC JAM NUT
16	222249	957 DISC GANG WRENCH

GANG DEPTH INDICATOR

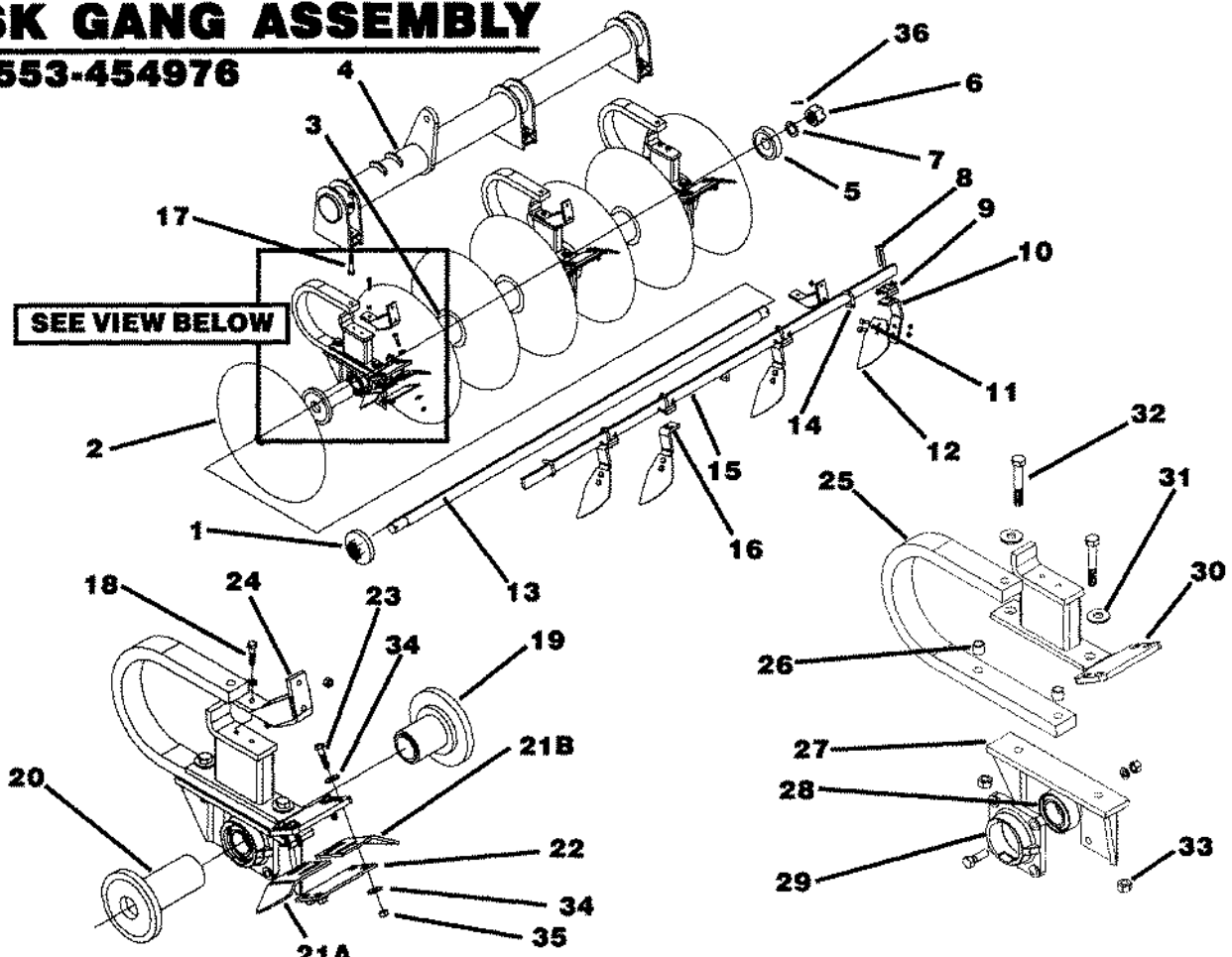
SERIAL # 456365-UP



ITEM	PART NO	DESCRIPTION
1	238360	GUAGE PLATE
2	238371	INDICATOR BAR
3	88566	3/8NCx3/4 GR5 BOLT
4	238359	FORMED PLATE
5	89279	3/8NCx7x6-1/4 U-BOLT
6	88362	3/8 LOCK WASHER
7	238372	5-1/2" MUFFLER CLAMP
8	88103	3/8NC NUT

DISK GANG ASSEMBLY

453553-454976

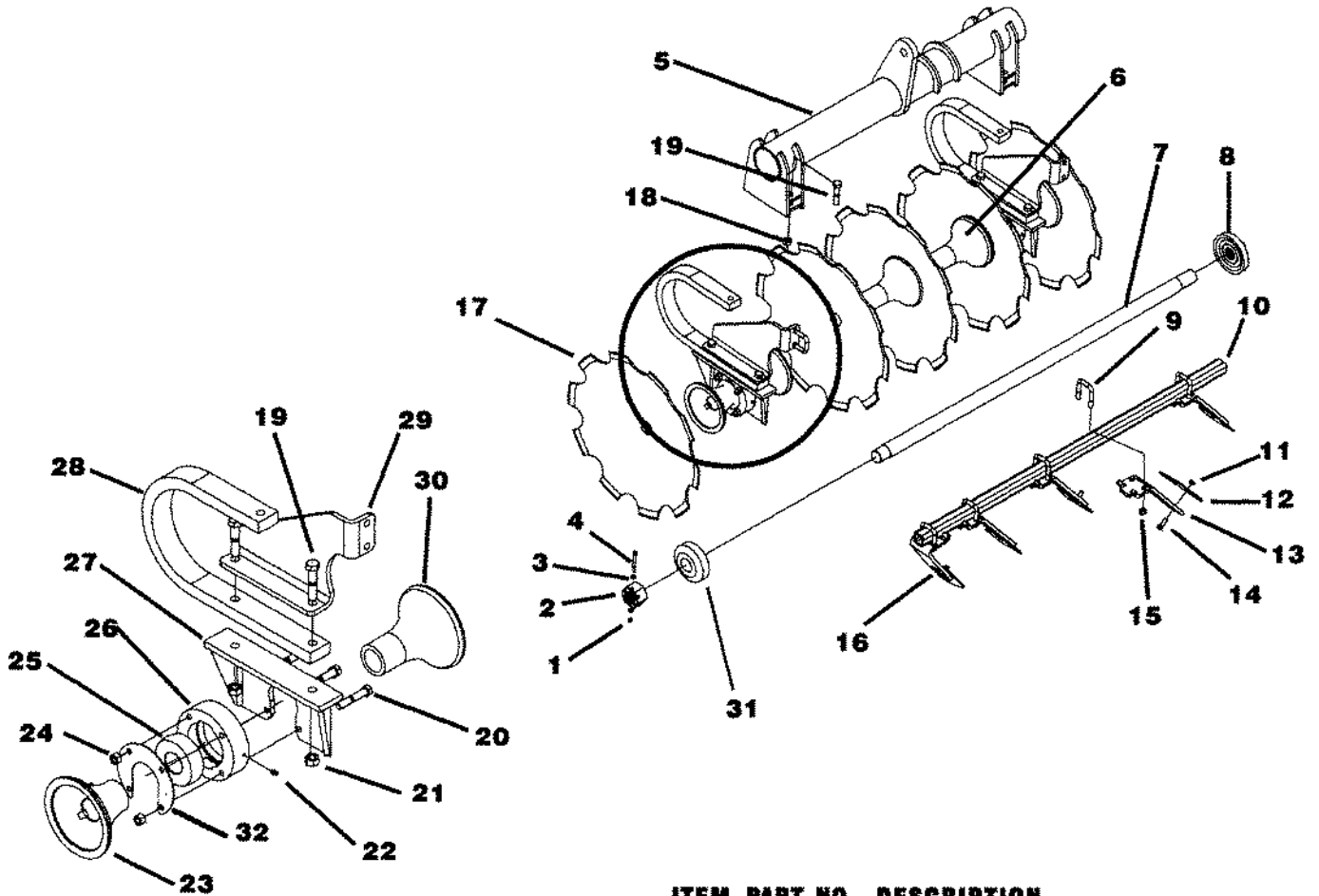


ITEM	PART NO	DESCRIPTION
1	220660	SPOOL END CAP(FRONT GANG)
	221860	SPOOL END CAP(REAR GANG) (SHOWN)
2	220686	28" BLADE NOTCHED 2-1/4" RD 2.88 CON.
	222973	28" BLADE SMOOTH 2-1/4 RD 2.88 CON
	234064	26" BLADE NOTCHED 2-1/4 RD 2.45 CON
	234065	26" BLADE SMOOTH 2-1/4 RD 2.45 CON
3	233822	SPOOL (14.62)
4	69967	ROCK SHAFT - LR(7 SHANK) (79.6)
	69959	ROCK SHAFT - RR (7 SHANK)SHOWN (79.6)
	69955	ROCK SHAFT - RF(7 SHANK) (91.25)
	69966	ROCK SHAFT - LF(7 SHANK) (91.25)
	69961	ROCK SHAFT - LR(5 SHANK) (51.6)
	69969	ROCK SHAFT - RR(5 SHANK)(51.6)
	69968	ROCK SHAFT - RF(5 SHANK) (62.0)
	69957	ROCK SHAFT - LF(5 SHANK)(62.0)
5	220661	SPOOL END CAP
6	89320	2NC SLOTTED NUT
7	220748	DISK GANG WASHER
8	24329	1/2NC U-BOLT
9	27950	CLIP SCRAPER ARM (BLACK)
10	25716	SCRAPER ARM (5 & 7 SHANK) 10-1/2"
SPACING		
11	88873	1/2NCx1-1/2 CARRIAGE BOLT
12	24301	SCRAPER BLADE
13	220688	GANG SHAFT (2-3/16 x 68.81)
	220689	GANG SHAFT (2-3/16 x 98.81)
	221861	5 SHANK REAR (2-3/16 x 66.75)
	221862	7 SHANK REAR (2-3/16 x 96.75)
14	24217	1/2NCx2-1/8x1-7/8 U-BOLT

ITEM	PART NO	DESCRIPTION
15	24115	SCRAPER BAR 96"
	24631	SCRAPER BAR 66-1/2"
16	24247	SCRAPER ARM
17	88111	3/4NCx3-1/2 GR5 BOLT
18	88679	1/2NCx2 GR5 BOLT
19	220664	SPOOL (5.06)
20	220663	SPOOL (8.33)
21A	58181	RIGHT BEARING SCRAPER(LF&RR)
	58182	LEFT BEARING SCRAPER (RF&LR)
21B	58183	RIGHT BEARING SCRAPER (RF&LR)
	58184	LEFT BEARING SCRAPER(LF&RR)
22	220693	4 HOLE BOLT PLATE (1.75x6.00)
23	88679	1/2NCx2 GR5 BOLT
24	220673	SCRAPER BAR SUPPORT
25	220670	SPRING SHANK
26	24359	PIVOT BUSHING 1ODx3/4ID
27	222102	BEARING MOUNT
28	24022	BEARING 2-3/16
29	29018	BEARING 1.75 HOUSING
30	220667	SCRAPER BAR BRACKET(28"DISK)
31	88131	3/4 FLAT WASHER
32	88421	3/4NCx4-1/2 GR5 BOLT
33	88611	3/4NC LOCK NUT
34	89054	1/2 FLAT WASHER
35	88621	1/2NC LOCK NUT
36	88771	3/8x3 ROLL PIN

DISK GANG ASSEMBLY

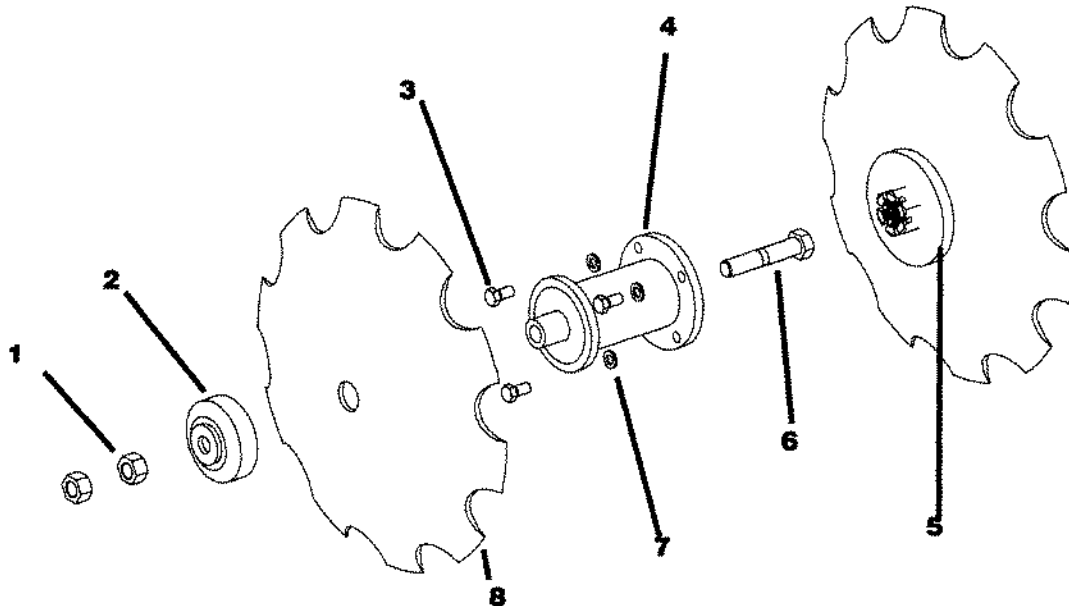
455623-UP



ITEM	PART NO	DESCRIPTION	ITEM	PART NO	DESCRIPTION
1	88162	3/8NC LOCK NUT	13	222969	SCRAPER MOUNT
2	89320	4-1/2NC SLOTTED NUT	14	88873	1/2NCx1-1/2 CARRIAGE BOLT
3	88282	3/8 FLAT WASHER	15	88627	5/8NC LOCK NUT
4	88412	3/8NCx3-1/2 BOLT	16	222972	SCRAPER MOUNT
5	69967	ROCK SHAFT - RL 7 SHANK (79.6)	17	220686	28" NOTCHED BLADE 2-1/4RD 2.88 CON
	69959	ROCK SHAFT - RR 7 SHANK (79.6)		222973	28" SMOOTH BLADE 2-1/4RD 2.88 CON
	69955	ROCK SHAFT - FR 7 SHANK (91.25)		234064	26" BLADE NOTCHED 2-1/4RD 2.45 CON
	69966	ROCK SHAFT - FL 7 SHANK (91.25)		234065	26" BLADE SMOOTH 2-1/4RD 2.45 CON
	69961	ROCK SHAFT - RL 5 SHANK (51.6)	18	88611	3/4NC LOCK NUT
	69969	ROCK SHAFT - RR 5 SHANK (51.6)	19	88111	3/4NCx3-1/2 BOLT
	69968	ROCK SHAFT - FR 5 SHANK (62.0)	20	88507	1/2NCx3-1/2 BOLT
	69957	ROCK SHAFT - FL 5 SHANK (62.0)	21	88611	3/4NC LOCK NUT
6	233822	FULL SPOOL CASTING	22	89318	GREASE FITTING
7	220688	GANG SHAFT (2-3/16 x 68.81)	23	220889	SHORT SPOOL (5.25)
	233823	GANG SHAFT (2-3/16 x 81.75)	24	88621	1/2NC LOCK NUT
	220689	GANG SHAFT (2-3/16 x 98.81)	25	222979	BEARING (HD)
	221861	GANG SHAFT (2-3/16 x 66.75)	26	222375	BEARING HOUSING
	221862	GANG SHAFT (2-3/16 x 96.75)	27	222377	BEARING MOUNT (HD)
8	221860	GANG END CAP	28	220670	C-SPRING
9	89380	5/8NCx2x3-1/2 U-BOLT	29	222970	SCRAPER MOUNT - RH
10	236178	SCRAPER TUBE (79.5)		222974	SCRAPER MOUNT - LH
	236181	SCRAPER TUBE (94)	30	220890	LONG SPOOL (8.0)
	236183	SCRAPER TUBE (64)	31	220661	SPOOL END CAP
11	88621	1/2 NC LOCK NUT	32	236894	BEARING GUARD
12	233799	SCRAPER BLADE			

SINGLE BLADE ADD ON

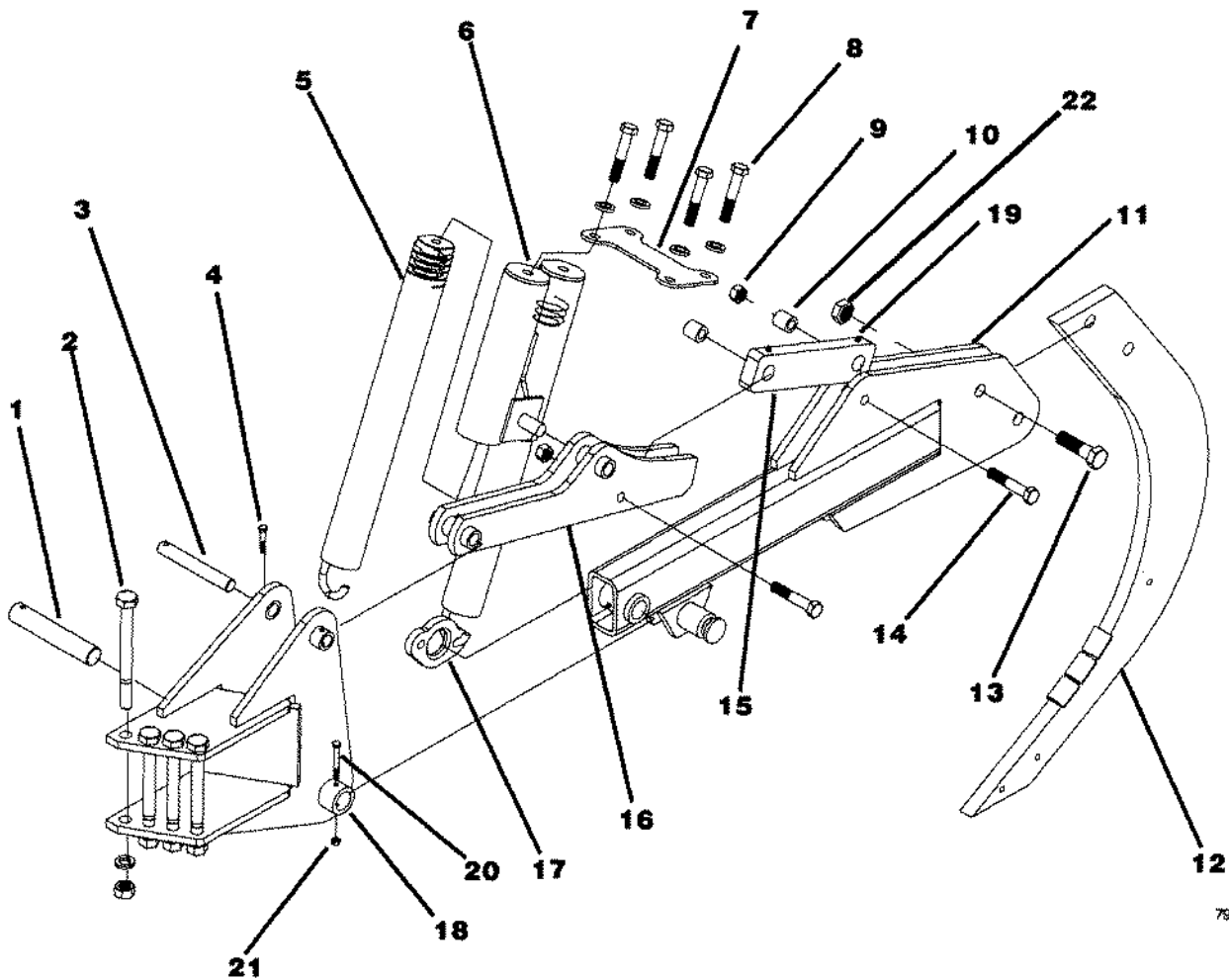
ALL SERIAL NUMBERS



ITEM	PART NO	DESCRIPTION
1	88622	1-1/4NC JAM NUT
2	220660	SPOOL END CAP
3	89057	3/4NCx1-1/2 GR5 BOLT
4	233796	BLADE EXTENSION
5	233798	THREADED END CAP
6	88349	1-1/4NCx6-1/2 GR5 BOLT
7	88130	3/4 LOCK WASHER
8	220686	28" NOTCHED BLADE 2-1/4RD 2.88 CON
	222973	28" SMOOTH BLADE 2-1/4RD 2.88 CON
	234064	26" BLADE NOTCHED 2-1/4RD 2.45 CON
	234065	26" BLADE SMOOTH 2-1/4RD 2.45 CON

SHANK ASSEMBLY

ALL SERIAL NUMBERS

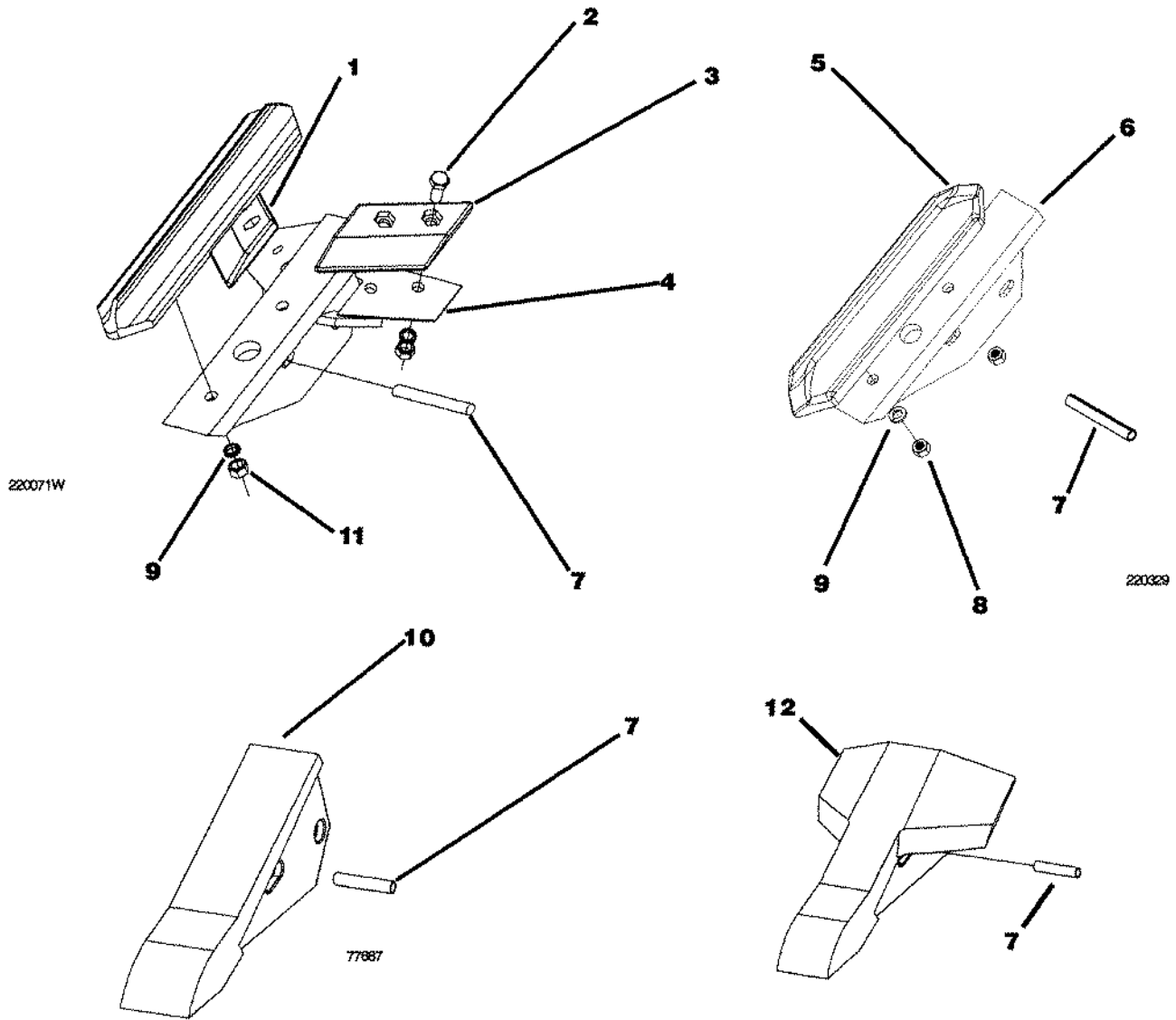


79170

ITEM	PART NO	DESCRIPTION	ITEM	PART NO	DESCRIPTION
	69818	TRIP ASSY - LEFT (INCLUDES ITEMS 1-11 & 14-21)	12	220908	SHANK (453553-455623)
	69819	TRIP ASSY - RIGHT (INCLUDES ITEMS 1-11 & 14-21)		236503	SHANK (455623-UP)
1	69827	LOWER PIN (1-1/2x8-1/4)	13	237506	1NCx3-1/2 GR5 BOLT
2	89094	7/8NCx9-1/2 GR5 BOLT	14	64409	3/4NCx3-1/2 GR8 PIVOT BOLT
3	69826	UPPER PIN (1x7-1/4)	15	69809	LINK ARM
4	89011	3/8NCx2 GR5 BOLT	16	69821	UPPER LINK (RED)(453553-455623)
5	221209	SPRING & CAST PLUG ASSEMBLY		236504	UPPER LINK (BLACK)(455623-UP)
6	69970	SPRING CANISTER	17	220332	SPRING ANCHOR PLATE
7	69975	SPRING CANISTER PLATE	18	69811	CLAMP WELD LH
8	10210	ADJUSTMENT BOLT		69810	CLAMP WELD RH (SHOWN)
9	88356	3/4NC LOCK NUT	19	88550	1/4 GREASE FITTING
10	69825	BUSHING (1-1/4ODx1-1/4)	20	88541	1/2NCx3 GR5 BOLT
11	69801	LOWER LINK WELD	21	88363	1/2NC LOCK NUT
			22	88348	1NC LOCK NUT

RIPPER POINTS

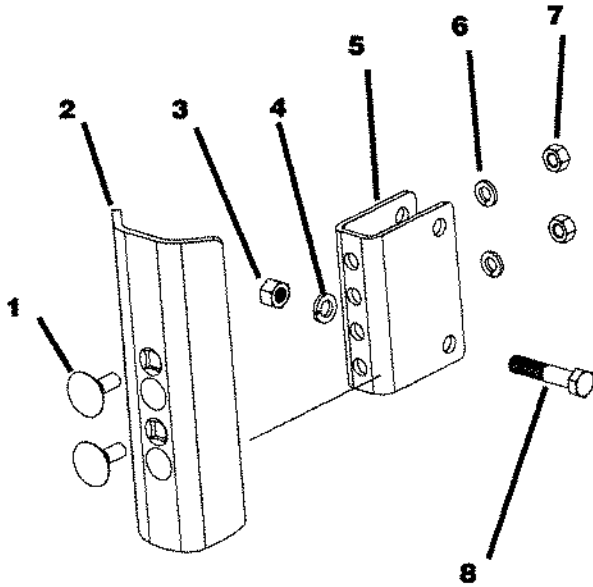
ALL SERIAL NUMBERS



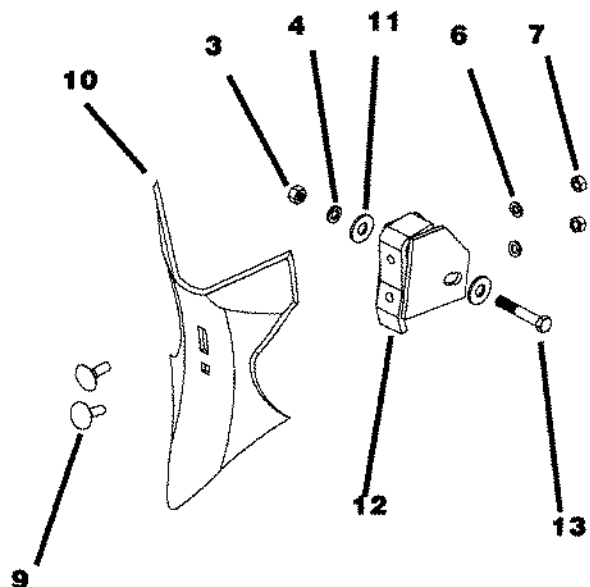
ITEM	PART NO	DESCRIPTION
	220071	WINGED RIPPER POINT ASSY (INCLUDES 1,2,3,4,5,9 & 11)
	220329	INSERT RIPPER POINT (INCLUDES ITEM 5,6, 8 & 9)
1	220076	RIGHT WING POINT
2	88475	1/2NCx1-1/2 GR5 BOLT
3	220075	LEFT WING POINT
4	221399	WINGED RIPPER POINT BASE
5	221414	INSERT FACE BOLT ON
6	221398	INSERT RIPPER POINT BASE

ITEM	PART NO	DESCRIPTION
7	89059	1/2x2-1/2 ROLL PIN
8	88587	1/2NF NUT
9	88303	1/2 LOCK WASHER
10	233409	CAST RIPPER POINT LARGE
11	88104	5/8NC NUT
12	221353	WING POINT

TRASH BOARDS AND FURROWER ALL SERIAL NUMBERS



4" TRASH BOARD



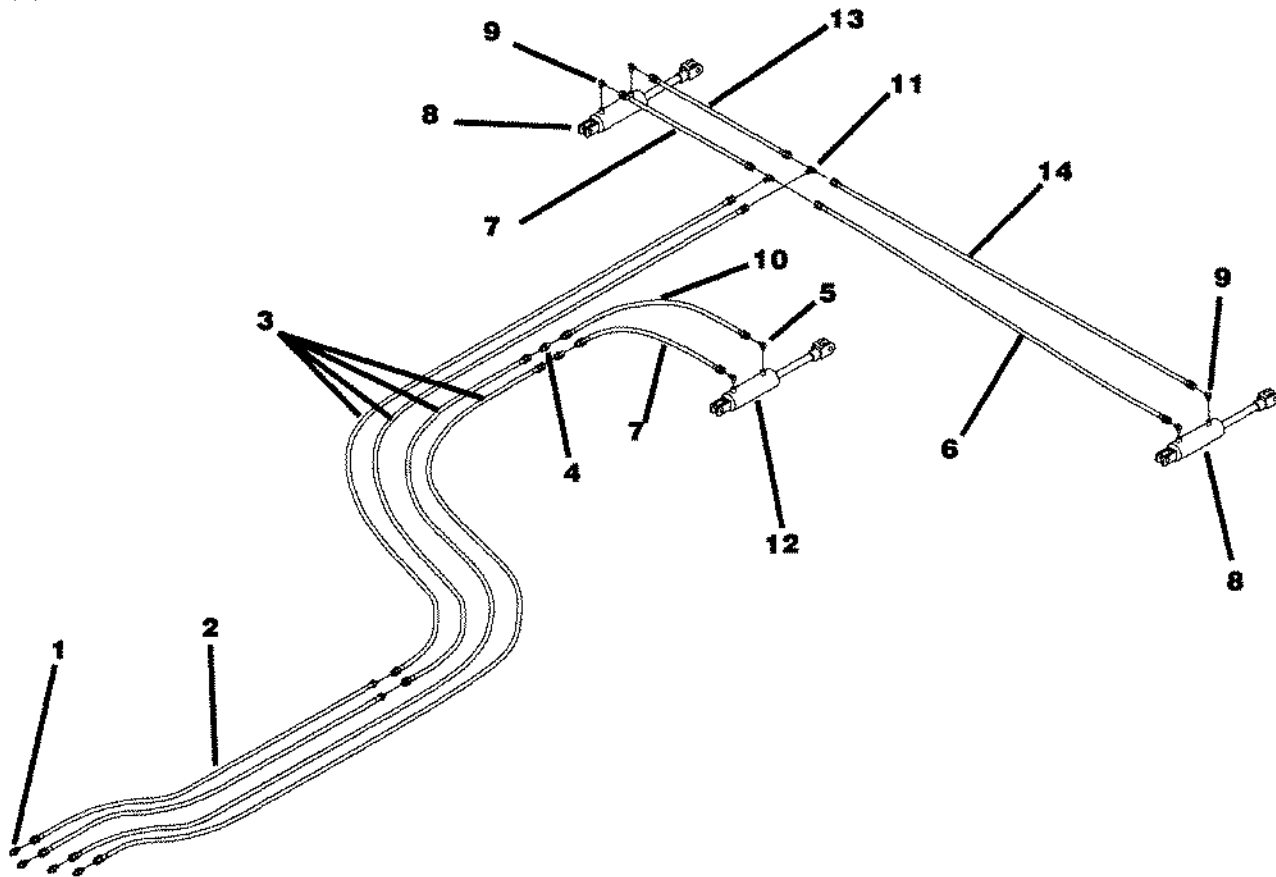
9" FURROWER

ITEM	PART NO	DESCRIPTION
1	88423	7/16NCx1-1/4 PLOW BOLT
2	233213	TRASH PLATE
3	88104	1/2NC NUT
4	88303	1/2 LOCK WASHER
5	233626	TRASH PLATE MOUNT
6	88269	7/16 LOCK WASHER
7	88270	7/16NC NUT
8	88410	1/2NCx2-1/2 BOLT
9	88599	7/16NCx1-1/2 PLOW BOLT
10	23180	9" FURROWER
11	88347	1/2 FLAT WASHER
12	42513	FURROW MOUNT
13	88541	1/2NCx3 BOLT

HYDRAULICS

453553-454976

456365-UP

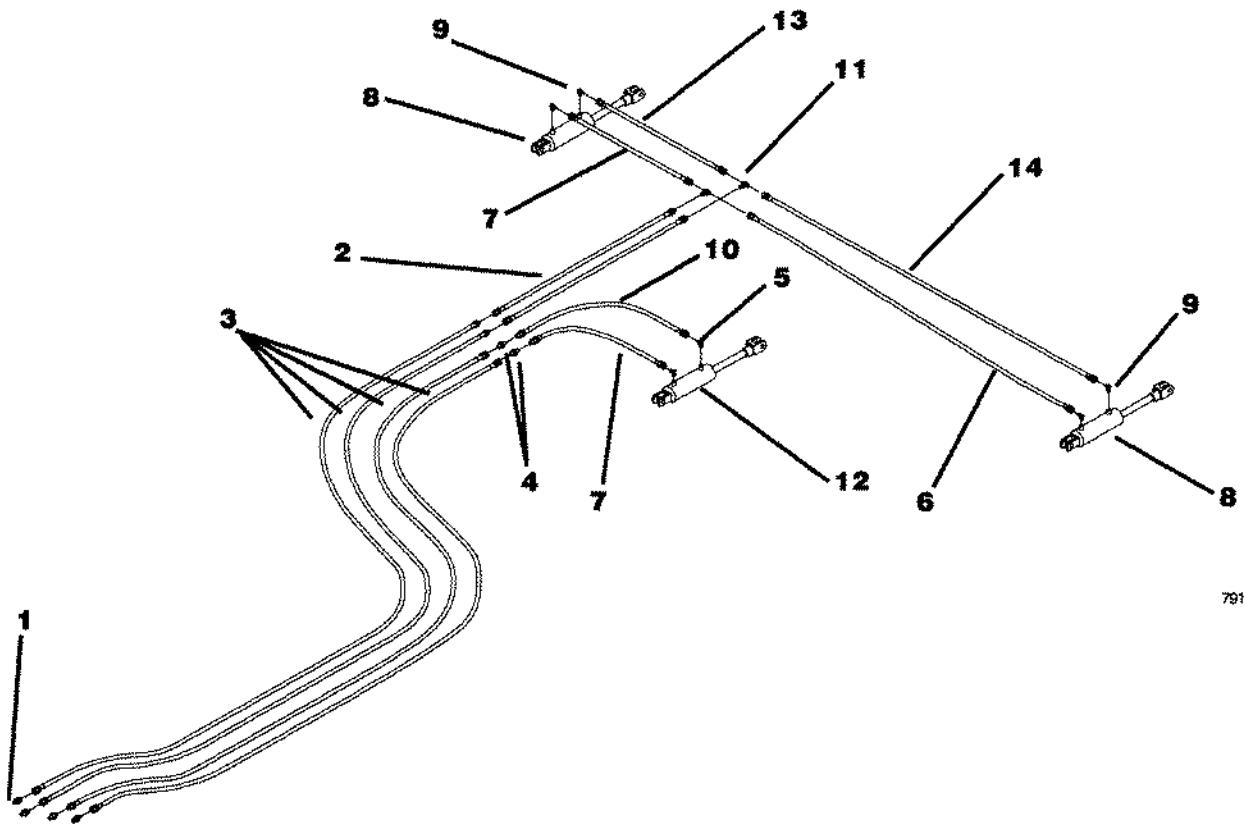


ITEM	PART NO	DESCRIPTION
1	13234	3/4 JICx1/2NPT COUPLER ADAPTER
2	13267	3/8x72 HOSE MF
3	13484	3/8x156 HOSE FF
4	13239	3/4 JIC UNION
5	13235	3/4 JICx 3/8NPT PORT ELBOW
6	25602	3/8x65 HOSE FF
7	25596	3/8x32 HOSE FF
8	222213	4x16 HYD CYLINDER(453553-454976)
	233833	4" SEAL KIT
	222213F	4x16 HYD CYL FGS (456365-UP)
	233838	4" SEAL KIT

ITEM	PART NO	DESCRIPTION
9	13236	3/4 JICx1/2NPT PORT ELBOW
10	14851	3/8x42 HOSE FF
11	13238	3/4 JIC TEE
12A	51240	3x12 HYD CYLINDER (WELDED)
	233831	SEAL KIT (453553-454976)
12B	234764	4x12 HYD CYLINDER (TIEROD)
	222038	4" SEAL KIT TIEROD (456365-UP)
13	13265	3/8x56 HOSE FF
14	56540	3/8x89 HOSE FF
	63834	CYLINDER STOP PACKAGE

HYDRAULICS

454976-456365

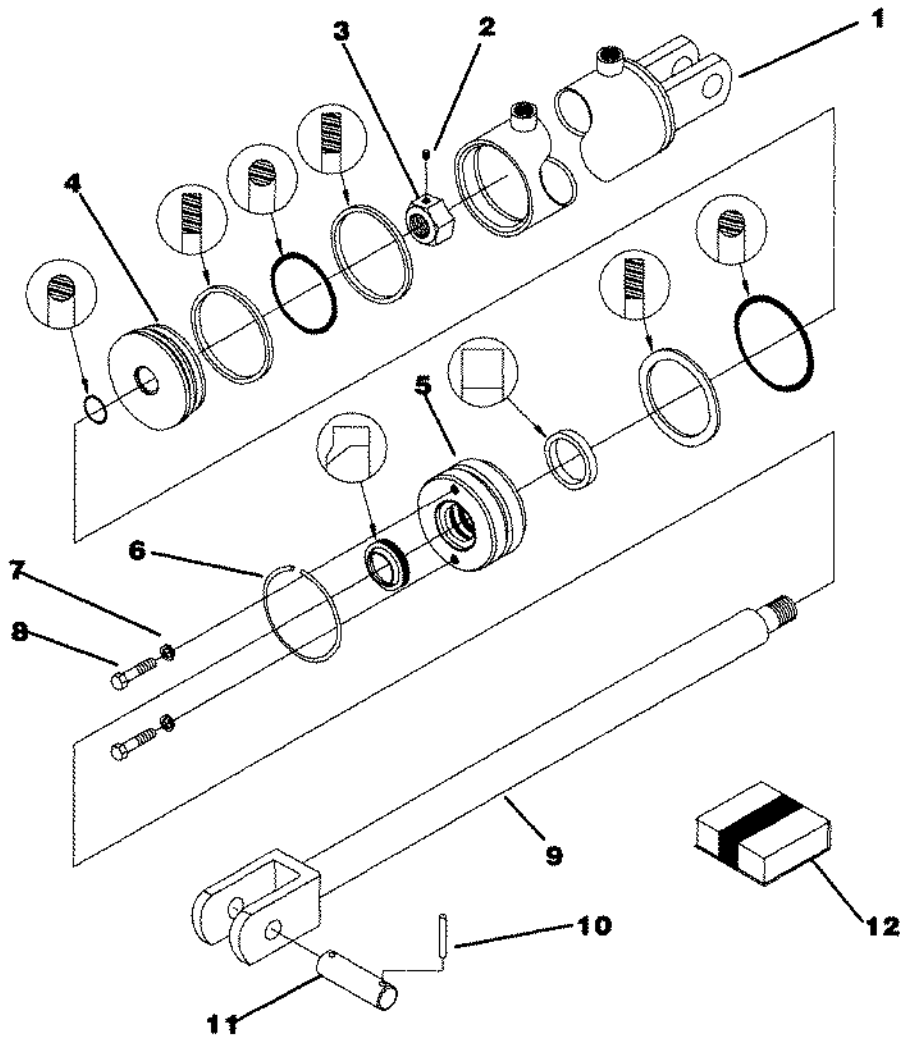


79171

ITEM	PART NO	DESCRIPTION	ITEM	PART NO	DESCRIPTION
1	13234	3/4JICx1/2NPT COUPLER ADAPTER	9	13236	3/4JICx1/2NPT PORT ELBOW
2	13580	3/8x96 HOSE MF	10	13267	3/8x72 HOSE MF
3	233689	3/8x180 HOSE FF	11	13238	3/4JIC TEE
4	13239	3/4JIC UNION	12	51240F	3x12 HYD CYLINDER
5	13235	3/4JICx 3/8NPT PORT ELBOW		233729	3" SEAL KIT
6	25602	3/8x65 HOSE FF	13	13265	3/8x56 HOSE FF
7	13269	3/8x84 HOSE MF	14	56540	3/8x89 HOSE FF
8	222213F	4x16 HYD CYLINDER		63834	CYLINDER STOP PACKAGE
	233838	4" SEAL KIT			

3x12 HYDRAULIC CYLINDER

453553-454576



787168

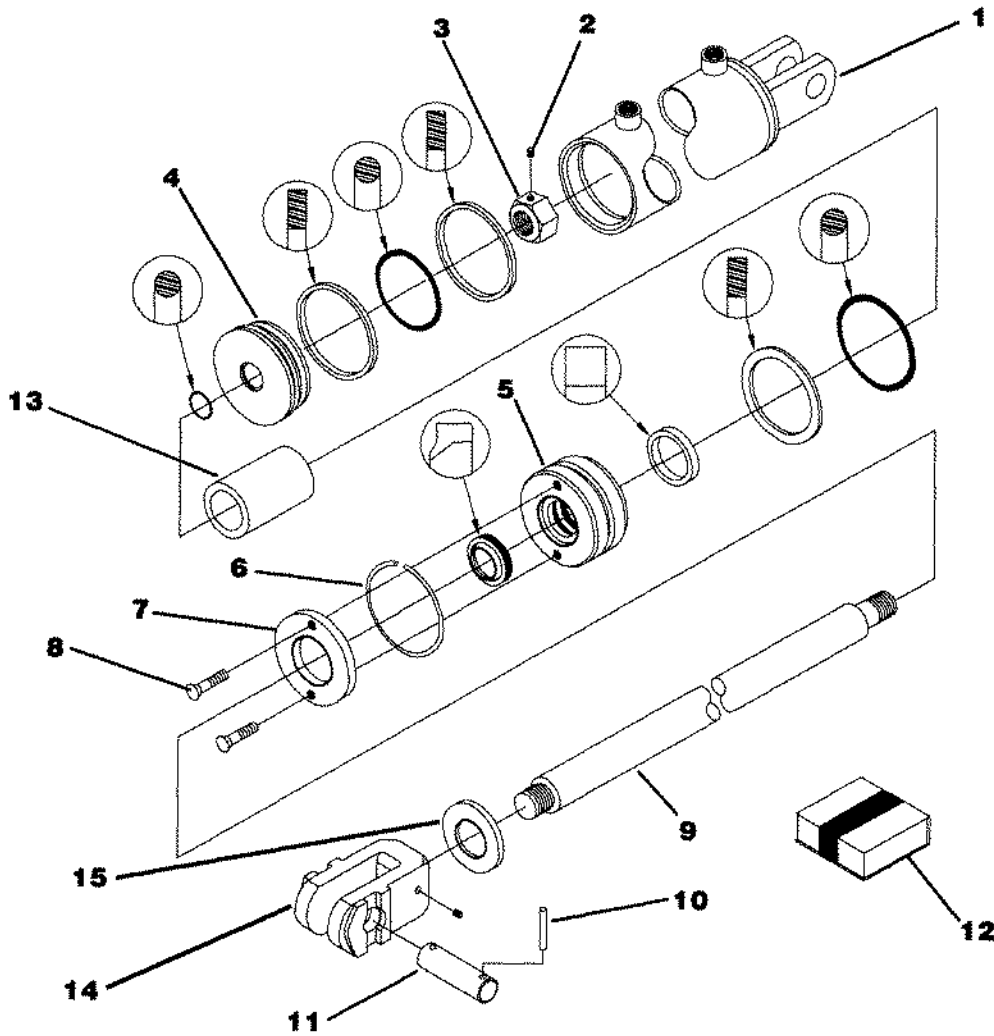
ITEM	PART NO	DESCRIPTION
	51240	3x12 HYDRAULIC CYLINDER
1	55692	3x12 CYLINDER TUBE
2	88706	5/16NCx5/16 SET SCREW
3	14824	PISTON LOCK NUT
4	12308	PISTON
5	51206	END GLAND 3"
6	12303	3" CYLINDER SNAP RING

ITEM	PART NO	DESCRIPTION
7	88855	1/4 SAE FLAT WASHER
8	88190	1/4NCx1/2 GR5 BOLT
9	55722	CYLINDER ROD
10	42484	CYLINDER LOCK PIN (1/4X2-1/4)
11	42472	CYLINDER PIN (H)
12	233831	3" SEAL KIT

42504 CYLINDER PIN PACKAGE
(INCLUDES ITEMS 10 & 11)

4x16 CYLINDER

453553-454976



78716

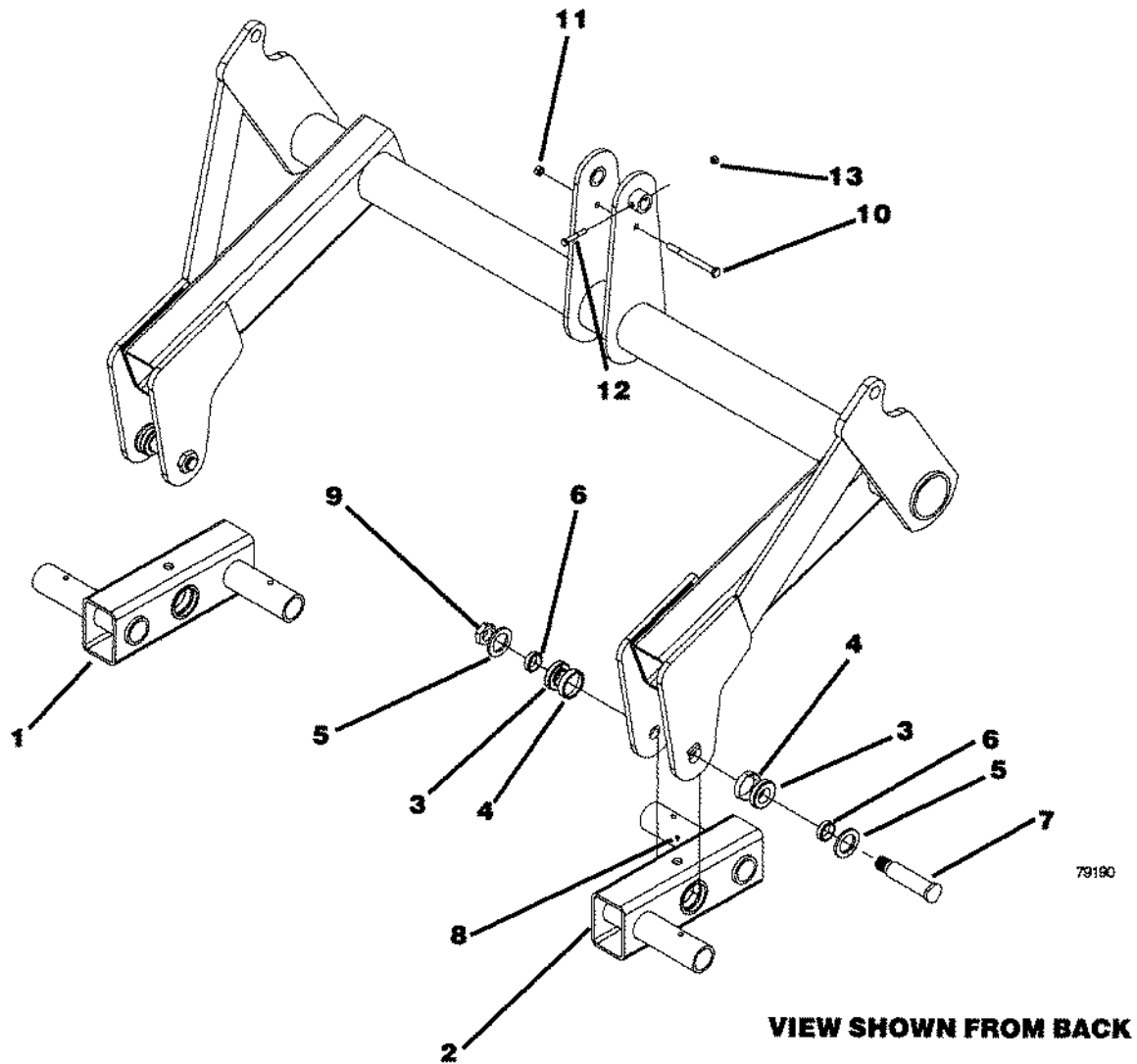
ITEM	PART NO	DESCRIPTION
	222213	4x16 HYDRAULIC CYLINDER
1	220914	TUBE ASSEMBLY
2	88706	5/16NCx5/16 SET SCREW
3	14824	PISTON LOCK NUT
4	12282	PISTON
5	222212	4" OD x 2" ROD END GLAND
6	12286	4" CYLINDER SNAP RING
7	89336	3/8NCx1-1/4 BOLT

ITEM	PART NO	DESCRIPTION
8	222215	STOP PLATE (4ODx2)
9	222214	4X16 (2") CYLINDER ROD
10	42484	CYLINDER LOCK PIN (1/4x2-1/4)
11	22022	CYLINDER PIN (1-1/4x2-7/16)
12	233833	4" SEAL KIT
13	222216	TUBE
14	22019	CYLINDER YOKE
15	222217	ROD STOP PLATE

42506 CYLINDER PIN PACKAGE
(INCLUDES ITEMS 10, & 11)

WALKING TANDEM

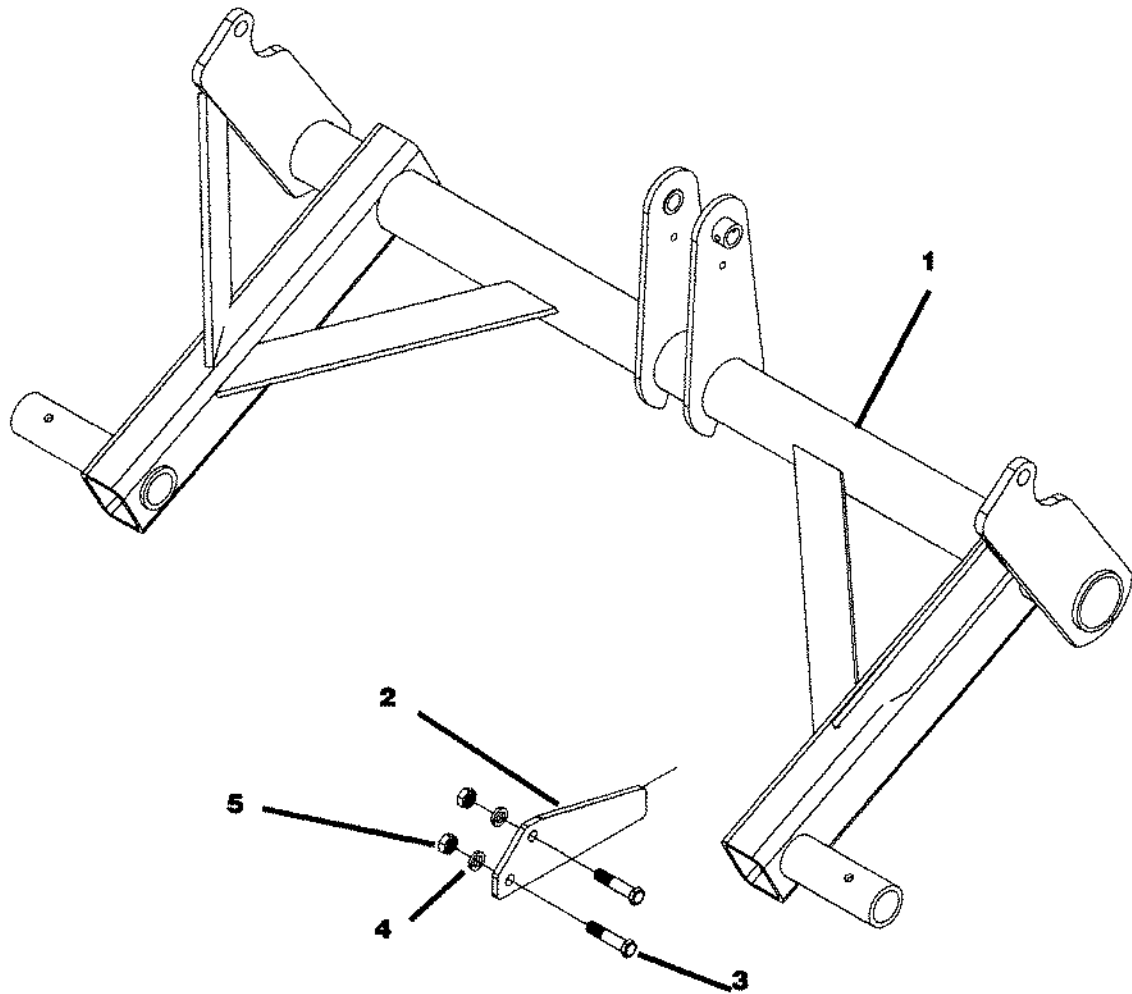
ALL SERIAL NUMBERS



ITEM	PART NO	DESCRIPTION
1	69996	AXLE - LH
2	69997	AXLE - RH
3	12103	1.75 BORE BRG CONE
4	12104	3.265 OD BEARING CUP
5	23733	SEAL
6	16278	BEARING BUSHING
7	69908	TANDEM PIN (8-1/4)
8	88550	1/4 GREASE FITTING
9	42082	1-1/2NF HYDRA LOCK NUT
10	88383	5/8NCx7 GR5 BOLT
11	88369	5/8NC LOCK NUT
12	88541	1/2NCx3 GR5 BOLT
13	88621	1/2NC LOCK NUT

SINGLE TIRE AXLE

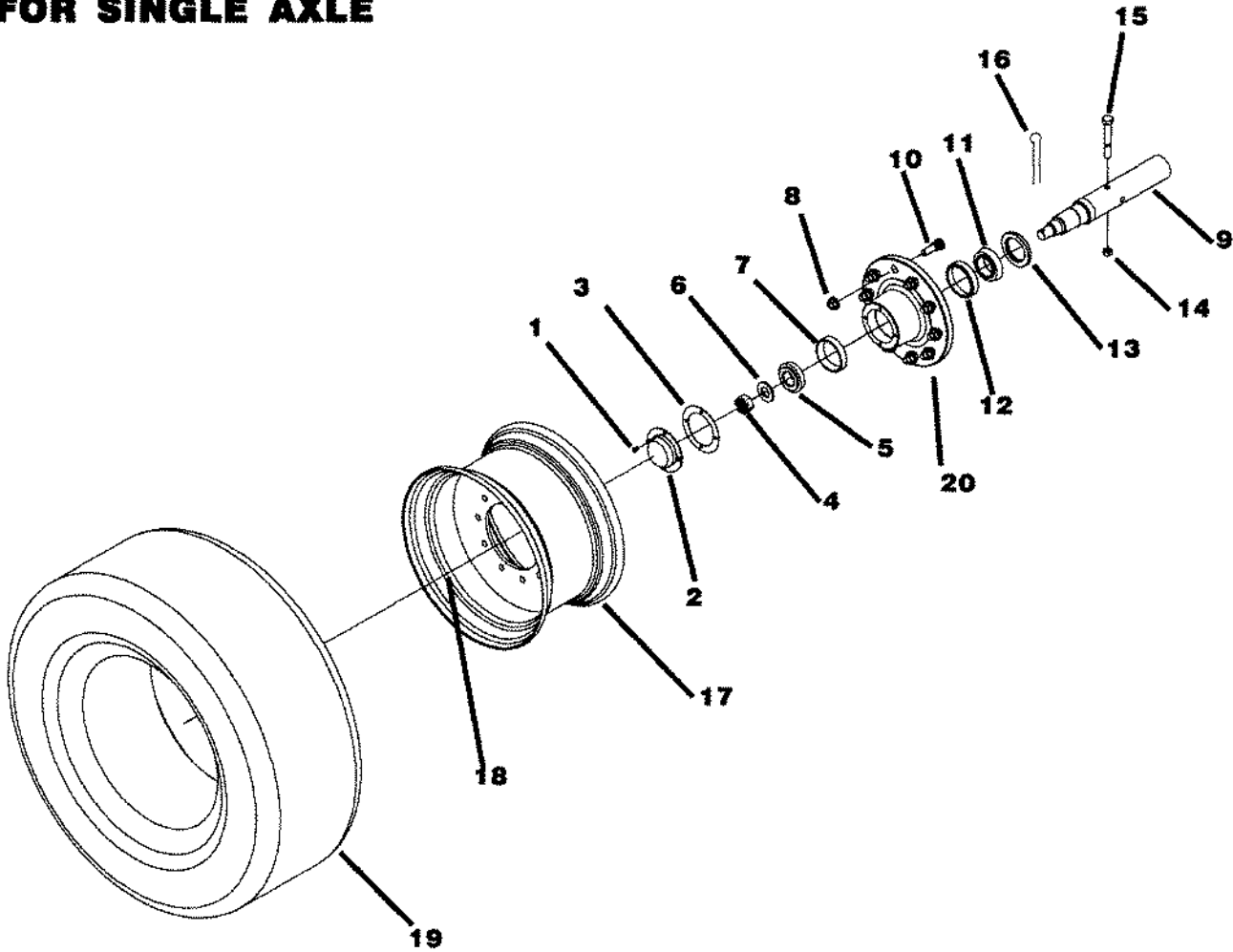
456365-UP



ITEM	PART NO	DESCRIPTION
1	237505	SINGLE TIRE AXLE
2	237517	MUD SCRAPER
3	88580	1NCx4-1/2 GR5 BOLT
4	88617	1" LOCK WASHER
5	88125	1 NC NUT

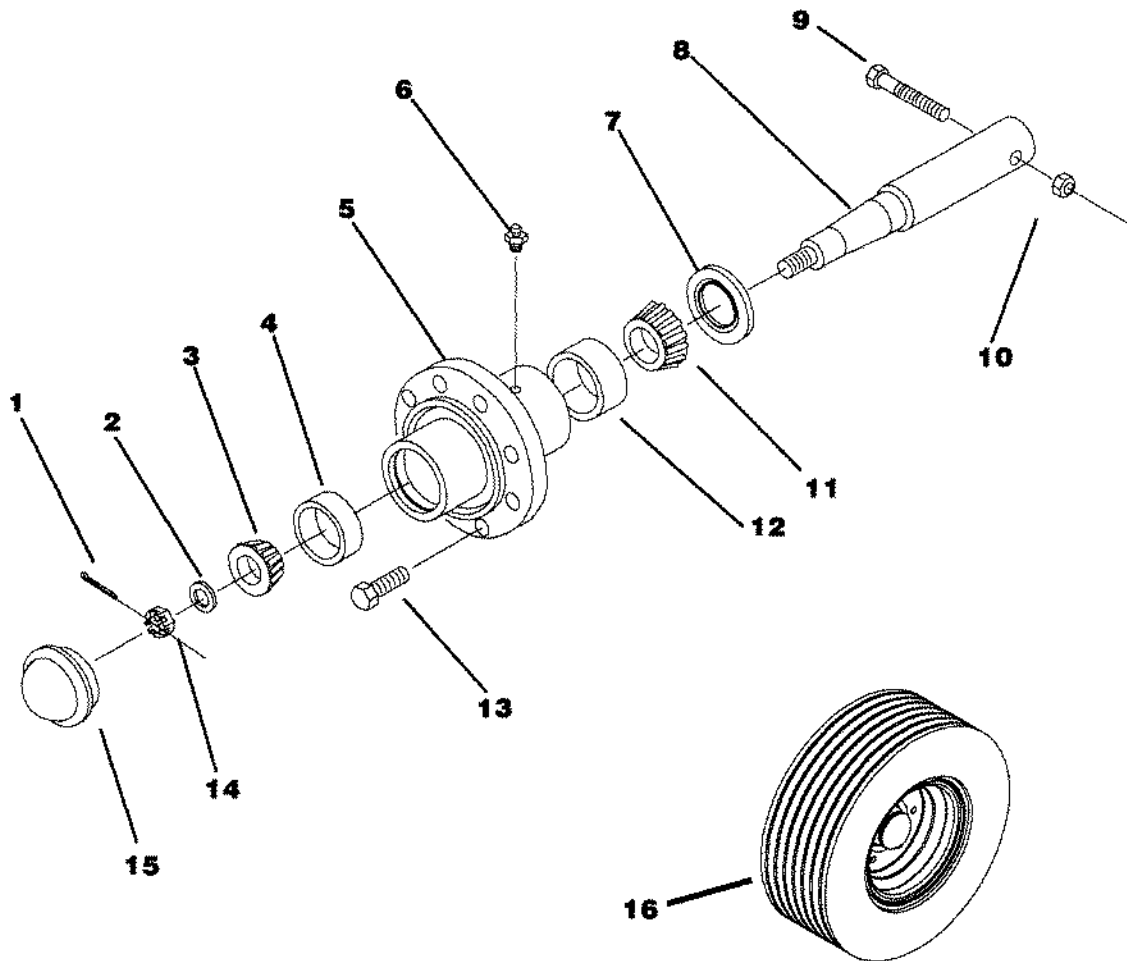
10 BOLT HUB & 3" SPINDLE

FOR SINGLE AXLE



ITEM	PART NO.	DESCRIPTION
1	88539	BOLT 5/16NCx1/2
2	58381	DUST CAP
3	221424	DUST CAP SEAL
4	221427	SPINDLE NUT
5	58378	BEARING CUP 4.125 (453A)
6	221423	2.5ODx1.312IDx.25 WASHER
7	58380	BEARING CONE 1-3/4ID (460)
8	221425	3/4NF FLANGE NUT
9	58375	3 IN SPINDLE
10	58382	WHEEL BOLT
11	58379	BEARING CONE 2-1/2ID (39585)
12	58377	BEARING CUP 4.438OD (39520)
13	58383	GREASE SEAL
14	88369	NUT 5/8NC LOCK
15	88395	BOLT 5/8NCx5
16	88133	COTTER PIN 3/16x2
17	237512	16.5R22.5 RIM
18	57908	VALVE ASSY
19	237513	10-11.25-8.71 10B TIRE
20	58376	3" HUB LESS SPINDLE (INCLUDES ITEMS 1-8 & 10-13)

8 BOLT HUB & 2-1/2" SPINDLE FOR WALKING TANDEM ALL SERIAL NUMBERS



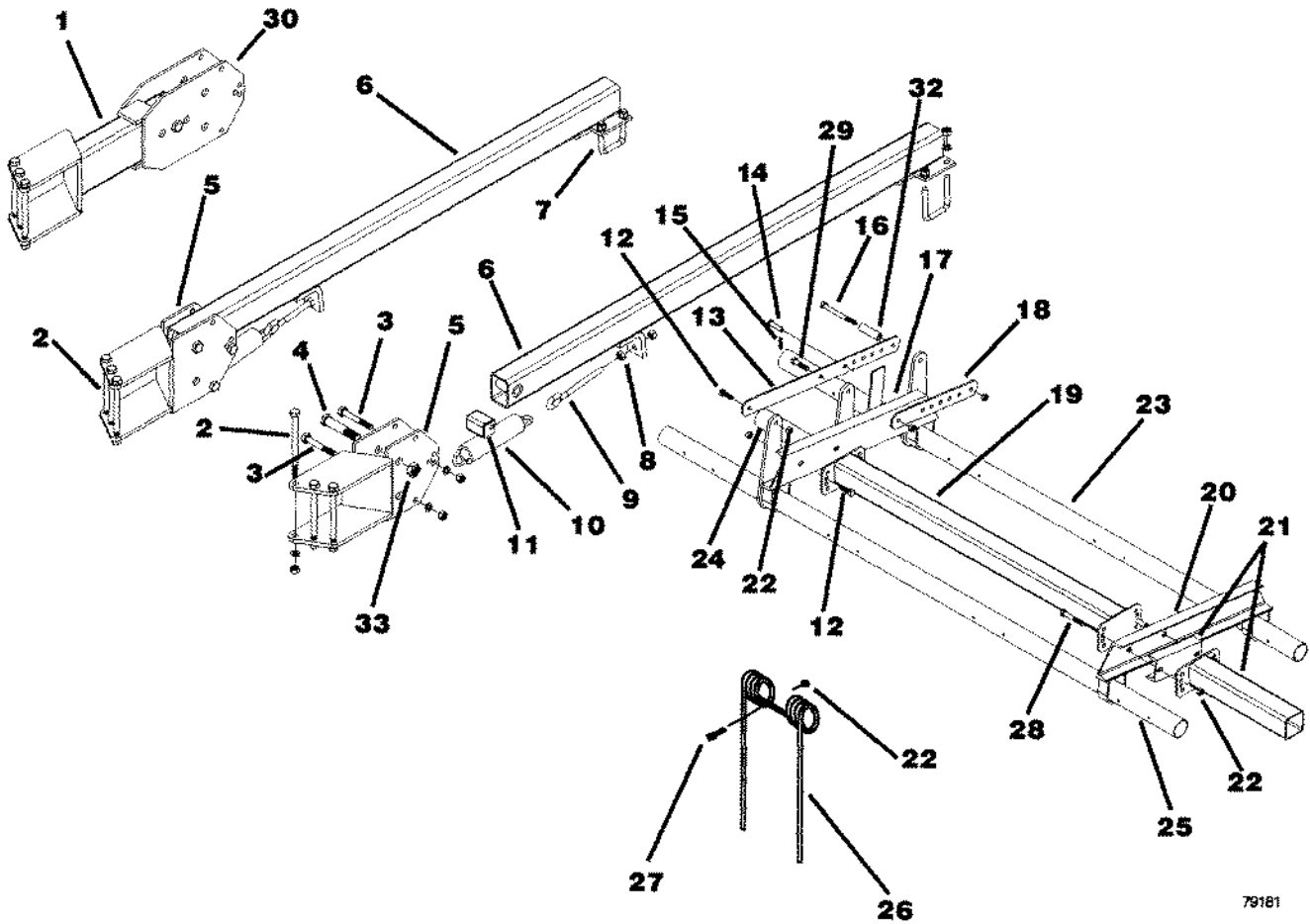
77836

ITEM	PART NO	DESCRIPTION
	16154	2-1/2" HUB & SPINDLE (RED) (INCLUDES ITEMS 1-8 & 11-15)
1	88301	3/16x1-1/2 COTTER PIN
2	64050	2-1/2ODx1-1/16ID SPINDLE WASHER
3	16081	OUTER BEARING CONE
4	16082	OUTER BEARING CUP
5	41054	2-1/2" PRESSED HUB (RED) (INCLUDES ITEMS 4, 6 & 12)
6	88143	1/4NPT GREASE FITTING
7	16080	2-1/2" TRIPLE LIP SEAL

ITEM	PART NO	DESCRIPTION
8	16156	2-1/2" AXLE SPINDLE (14-3/4)
9	88298	5/8NCx4 GR5 BOLT
10	88369	5/8NC LOCK NUT
11	16083	INNER BEARING CONE
12	16084	INNER BEARING CUP
13	63831	9/16NFx1-1/8 90° WHEEL BOLT
14	88299	1NF SLOTTED NUT
15	16077	DUST CAP
16	222259	31x13.5 12 PLY TIRE 8 BOLT
	203196	15x10 WHEEL RIM
	57908	VALVE ASSEMBLY
	222088	31x13.5 12PLY TIRE

HARROW ASSEMBLY

453533-454976

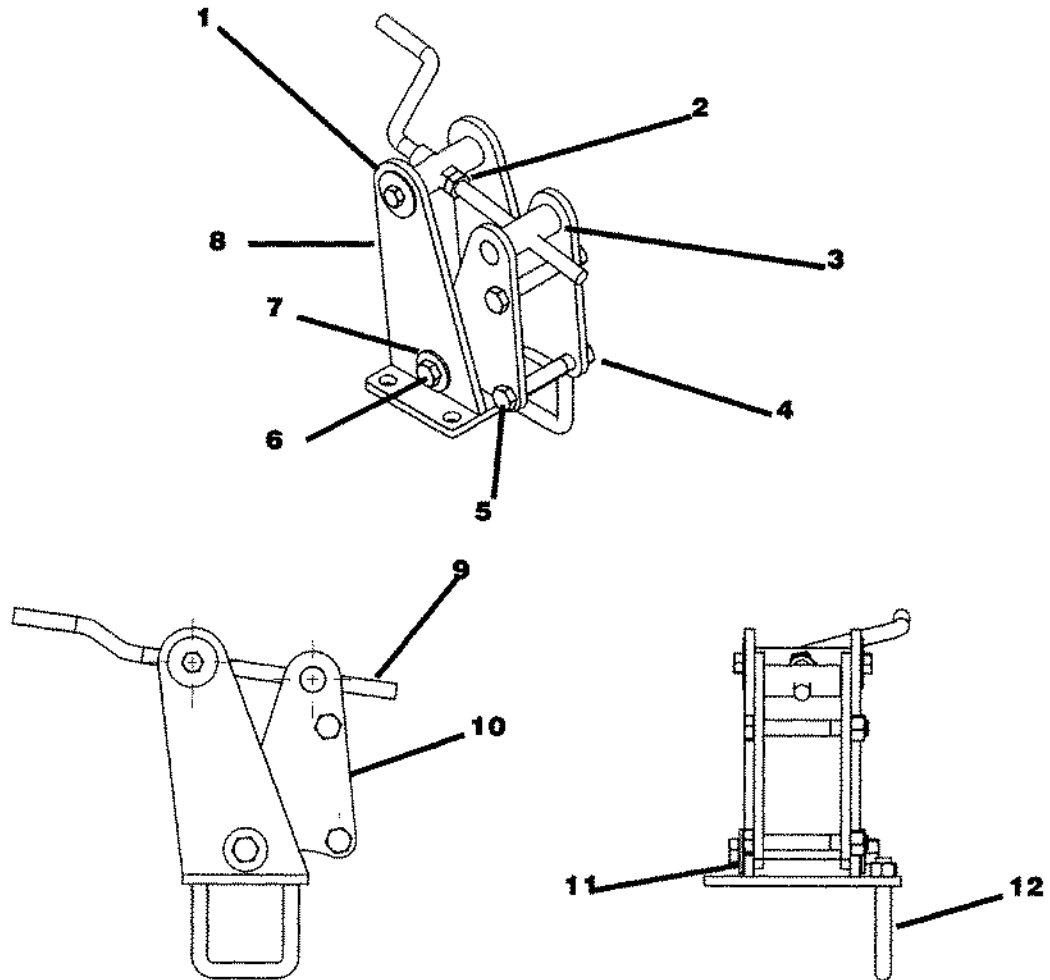


79181

ITEM	PART NO	DESCRIPTION	ITEM	PART NO	DESCRIPTION
	221144	6' HARROW SECTION	17	221453	4" RIGHT CHANNEL
	221145	8' HARROW SECTION	18	221456	14" BAR LINKAGE
1	221490	HARROW EXTENSION BRKT(25.13)	19	221450	6" SPREADER BAR
	221830	HARROW EXTENSION BRKT(33.63)		221451	8" SPREADER BAR
2	88557	5/8NCx9 GR5 BOLT	20	221454	4" LEFT CHANNEL
3	88381	5/8NCx4-1/2 GR5 BOLT	21	221493	16" FRAME EXTENSION W/HARDWARE
4	88312	1NCx5 GR5 BOLT	22	88621	1/2NC NYLON LOCK NUT
5	221103	HARROW ARM MOUNT	23	221483	PIPE 2-3/8 13" DISPL (6' SECTION)
6	221106	HARROW ARM		221486	PIPE 2-3/8 13" DISPL (8' SECTION)
7	89327	5/8NCx3x4-1/4 U-BOLT	24	221484	PIPE 2-3/8 19" DISPL (6' SECTION)
8	88126	5/8NC NUT		221487	PIPE 2-3/8 19" DISPL (8' SECTION)
9	23123	5/8NC EYEBOLT	25	221485	PIPE 2-3/8 16" DISPL (6' SECTION)
10	23122	EXTENSION SPRING (3/8x2-3/8ODx12)		221488	PIPE 2-3/8 16" DISPL (8' SECTION)
11	221104	SPACERTUBE	26	236872	DOUBLE SPRING TINE 5/8x30
12	88475	1/2NCx1-1/2 GR5 BOLT	27	221495	SHOULDER BOLT
13	221455	26" BAR LINKAGE	28	88541	1/2NCx3 GR5 BOLT
14	88448	CLEVIS PIN 1/2x1-3/4	29	88679	1/2NCx2 GR5 BOLT
15	88466	CLIP HAIRPIN 1/8x1	30	221367	HARROW EXTENSION BRACKET
16	88681	1/2NCx5 GR5 BOLT	32	205118	TUBE 1"ODx3
			33	88348	1NC LOCK NUT

HARROW PIVOT BRACKET

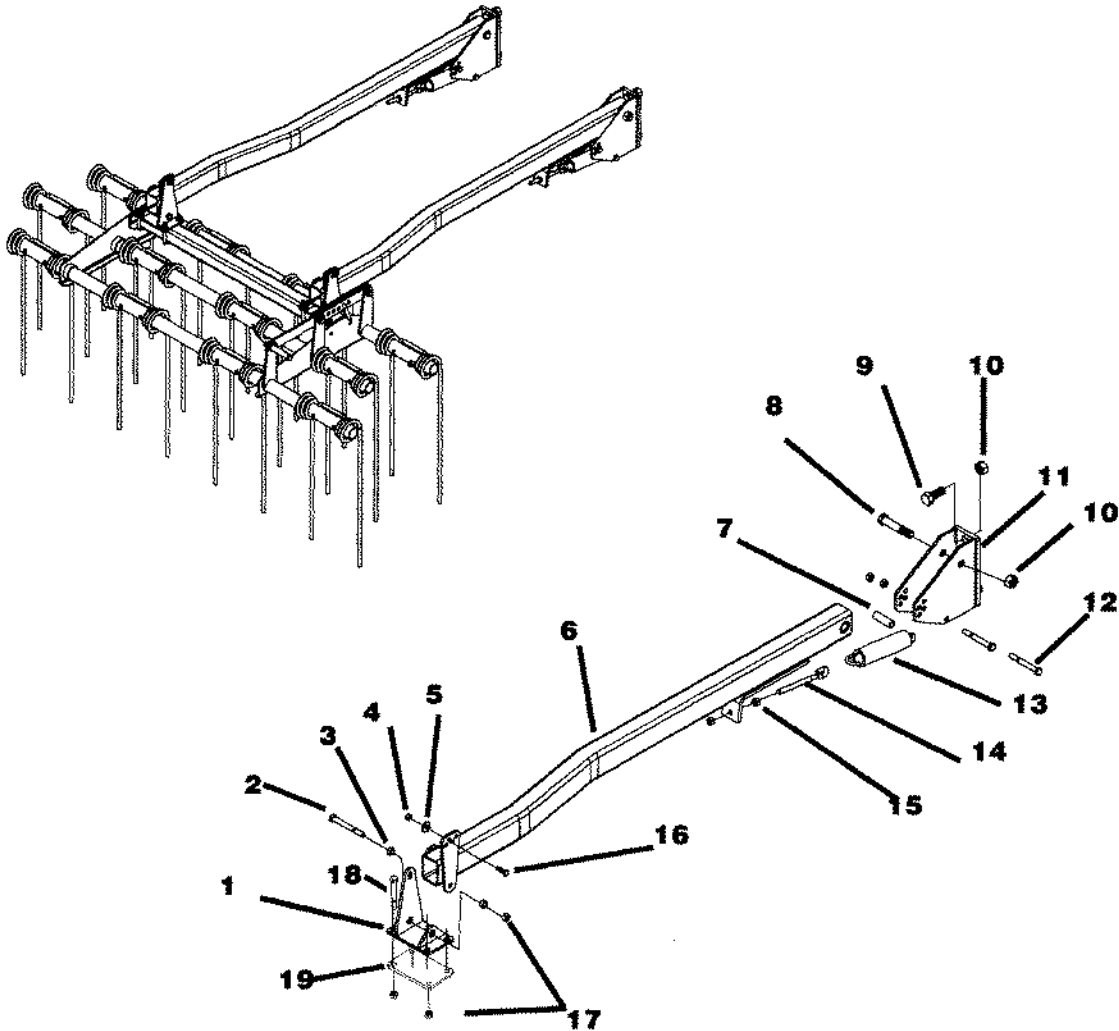
454976-455623



ITEM	PART NO	DESCRIPTION
1	89396	1/2 FENDER WASHER
2	23073	5/8-8 ACME THREAD NUT
3	222529	THREADED TRUNNION
4	88627	5/8NC LOCKNUT
5	88395	5/8NCx5 BOLT
6	88633	5/8NCx5-1/2 BOLT
7	88277	5/8 FLAT WASHER
8	233285	ARM PIVOT BRACKET
9	23076	GANG WHEEL CRANK
10	222526	BRACKET PLATE
11	222562	BUSHING
12	89327	5/8NCx3x4-1/4 U-BOLT

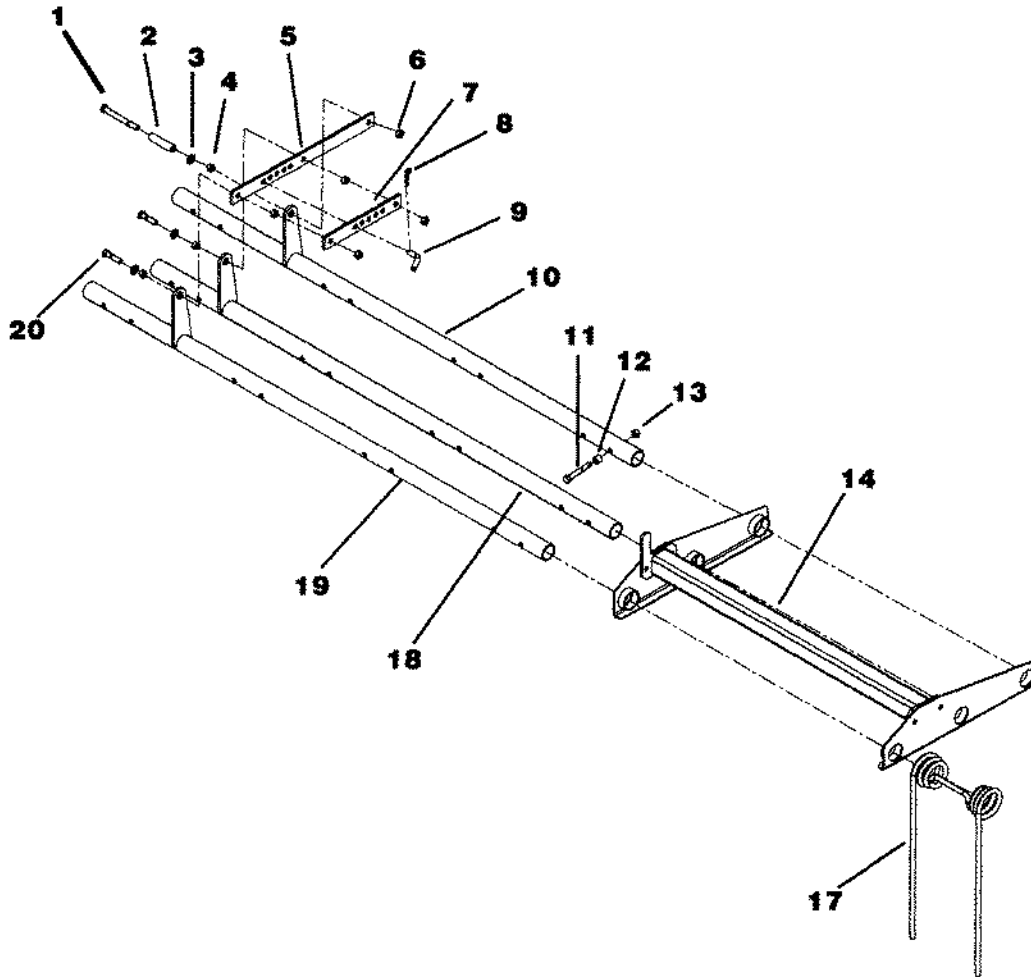
HARROW ARM

455623-UP



ITEM	PART NO	DESCRIPTION
1	238361	PIVOT BRACKET
2	88633	5/8NCx5-1/2 BOLT
3	222562	BUSHING (1"ODx.44)
4	88363	1/2NC LOCK NUT
5	88347	1/2 FLAT WASHER
6	236190	HARROW ARM RIGHT
	236191	HARROW ARM LEFT (SHOWN)
7	236185	SPACER 1"ODx3.06
8	88312	1NCx5 BOLT
9	88393	1NCx2-1/2 BOLT
10	89075	1NC LOCK NUT
11	238361	SINGLE MOUNT BRACKET
12	88395	5/8NCx5 BOLT
13	23122	EXTENSION SPRING (3/8x2-3/8ODx12")
14	23123	5/8 EYE BOLT
15	88126	5/8NC NUT
16	88475	1/2NCx1-1/2 BOLT
17	88627	5/8NC LOCK NUT
18	88395	5/8NCx5 GR5 BOLT
19	238310	PLATE

HARROW SECTION ASSEMBLY

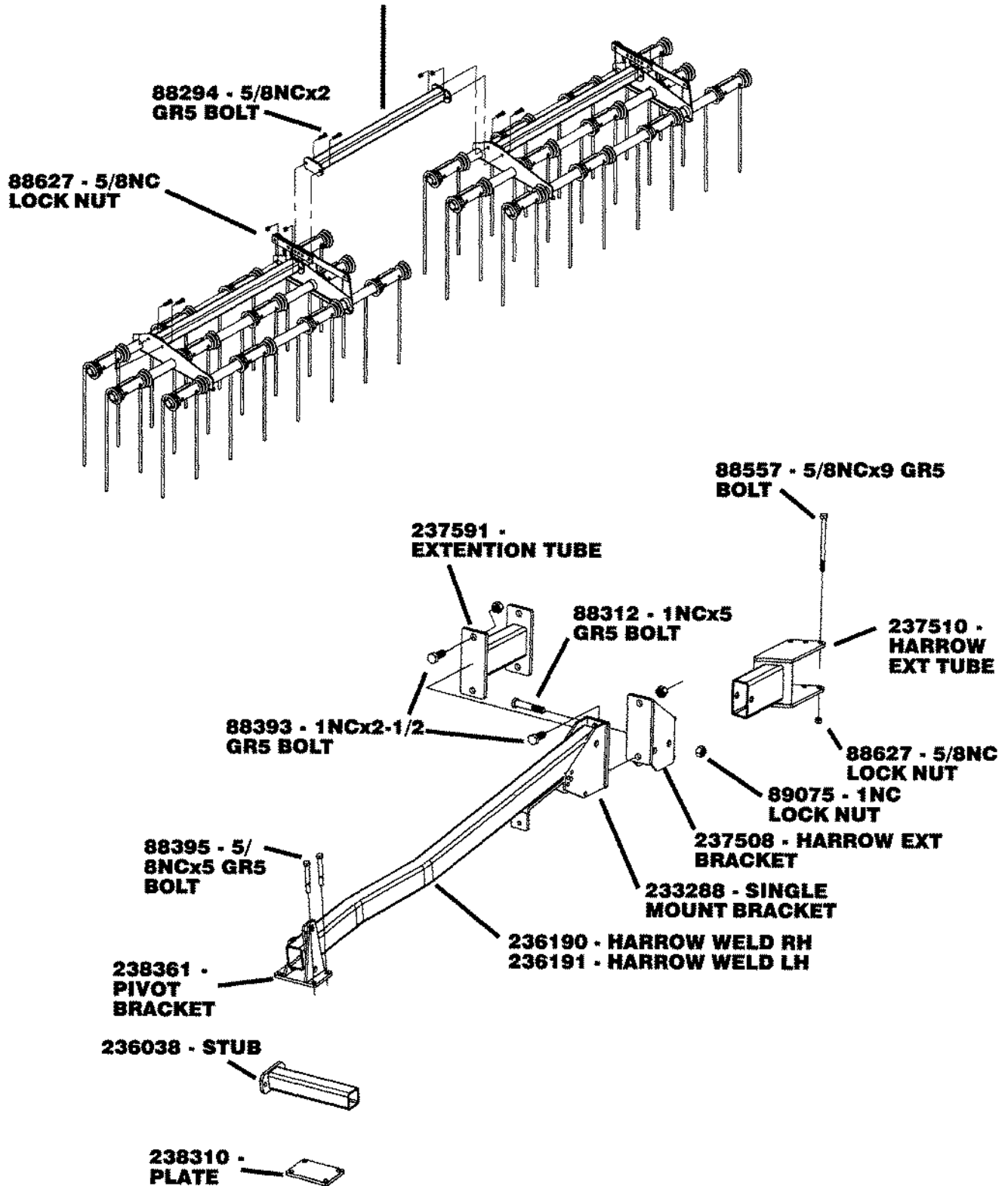


ITEM	PART NO.	DESCRIPTION	ITEM	PART NO.	DESCRIPTION
1	88295	5/8NCx6 GR5 BOLT	17	234081	H.D. HARROW TOOTH 5/8x30 QTY - 12/ 8FT SEC 9/ 6FT SEC
2	22521	SPACER TUBE 1"ODx4.05	18	222573	8FT CENTER HARROW TUBE (84.7)
3	88277	5/8 FLAT WASHER		222568	6FT CENTER HARROW TUBE(60.7)
4	222562	BUSHING 1"ODx.44	19	222572	8FT FRONT HARROW TUBE(84.7)
5	222570	ADJUST BAR		222567	6FT FRONT HARROW TUBE(60.7)
6	88627	5/8NC LOCK NUT	20	88409	5/8NCx2-1/2 GR5 BOLT
7	222575	INNER ADJUST BAR			
8	23039	HAIR PIN			
9	32871	5/8x1-3/8 BENT PIN			
10	222574	8FT REAR HARROW TUBE (84.7)			
	222569	6FT REAR HARROW TUBE(60.7)			
11	88298	5/8NCx4 GR5 BOLT QTY - 24-8FT 18-6FT			
12	200479	BUSHING			
13	88845	5/8NC LOCK NUT			
14	236195	8FT HARROW MOUNT WELD(49.7)			
	236198	6FT HARROW MOUNT WELD (25.7)			

INTERMEDIATE TUBE ASSEMBLY

455622-UP

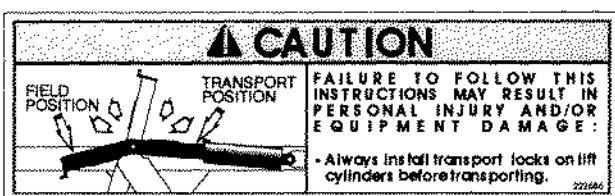
236189 - 43.13" SPANNER - 5 SHANK 30"
236501 - 142" SPANNER - 7 SHANK 30"



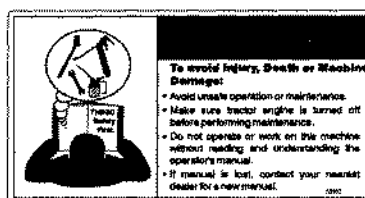
WR WIL-RICH. V957 DDR

WR V957 DDR

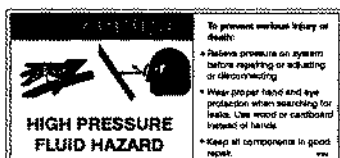
221228 957 DISK RIPPER DECALS



222686 CHANNEL LOCK DECAL



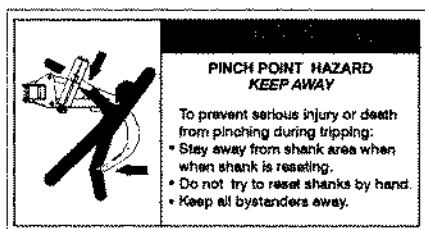
62503 SERVICE DECAL



62558 HIGH PRESSURE FLUID



62557 GREASE FITTING DECAL



221481 PINCH DECAL



22372 AMBER REFLECTOR



22371 RED REFLECTOR



41345 SMV KIT

LIGHT KIT



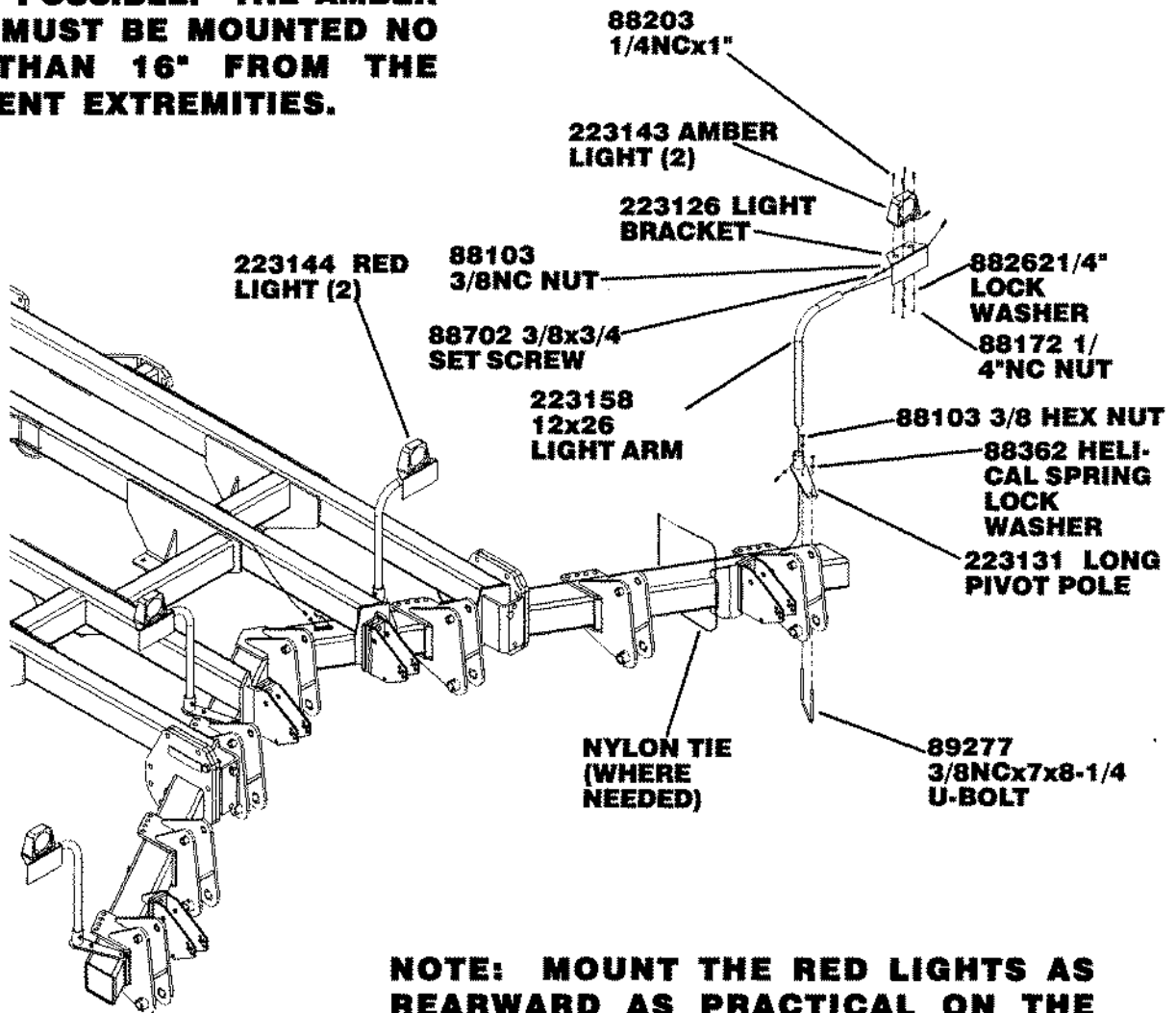
221141 CLEARANCE LIGHT PACKAGE

**64597 30FT HAR-
NESS**

**223145 AG MOD-
ULE**

**223146 WISH-
BONE 4 LEAD**

NOTE: MOUNT AMBER LIGHTS AS WIDE AS POSSIBLE. THE AMBER LIGHTS MUST BE MOUNTED NO MORE THAN 16" FROM THE IMPLEMENT EXTREMITIES.



NOTE: MOUNT THE RED LIGHTS AS REARWARD AS PRACTICAL ON THE CENTER FRAME. SPACE EVENLY 2' TO 5' FROM THE MACHINE CENTER.

